

AEG

POWERTOOLS

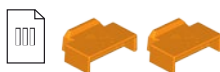
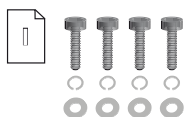
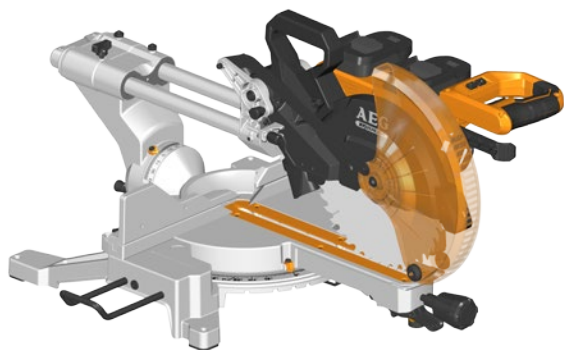
BPS18-254BL

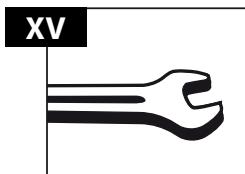
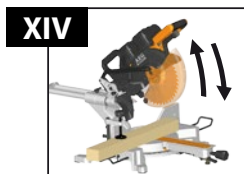
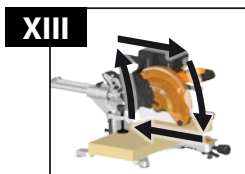
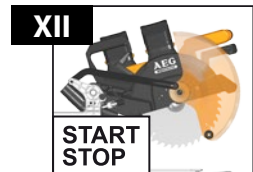
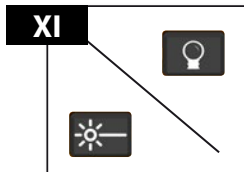
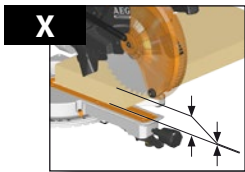
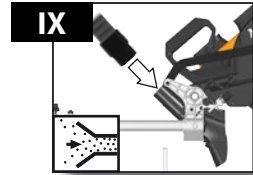
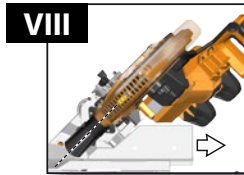
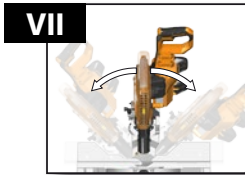
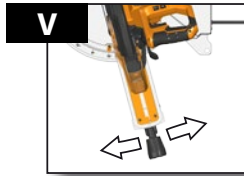
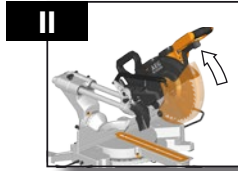
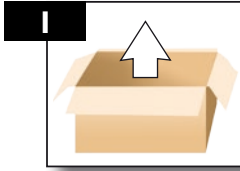
Original instructions
Originalbetriebsanleitung
Notice originale
Istruzioni originali
Manual original
Manual original
Oorspronkelijke gebruiksaanwijzing
Original brugsanvisning
Original bruksanvisning
Bruksanvisning i original
Alkuperäiset ohjeet
Πρωτότυπο οδηγιών χρήσης
Orijinal işletme talimatı
Původním návodem k používání
Pôvodný návod na použitie

Instrukcja oryginalna
Eredeti használati utasítás
Izvirna navodila
Originalne pogonske upute
Instrukcijâm oriëinâlvalodâ
Originali instrukcija
Algupärane kasutusjuhend
Оригинальное руководство по эксплуатации
Оригинално ръководство за експлоатация
Instrucțiuni de folosire originale
Оригинален прирачник за работа
Оригінал інструкції з експлуатації
التعليمات الأصلية

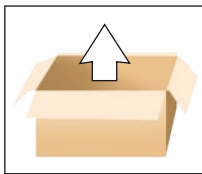
Technical Data, Safety Instructions, Specified Conditions of Use, EC-Declaration of Conformity, Batteries, Maintenance, Symbols	Please read and save these instructions!	English	26
Technische Daten, Sicherheitshinweise, Bestimmungsgemäße Verwendung, CE-Konformitätserklärung, Akku, Wartung, Symbole	Bitte lesen und aufbewahren!	Deutsch	31
Caractéristiques techniques, Instructions de sécurité, Utilisation conforme aux prescriptions, Déclaration CE de Conformité, Accus, Entretien, Symboles	A lire et à conserver soigneusement	Français	37
Dati tecnici, Norme di sicurezza, Utilizzo conforme, Dichiarazione di Conformità CE, Batterie, Manutenzione, Simboli	Si prega di leggere e conservare le istruzioni!	Italiano	43
Datos técnicos, Instrucciones de seguridad, Aplicación de acuerdo a la finalidad, Declaración de Conformidad CE, Batería, Mantenimiento, Símbolos	Lea y conserve estas instrucciones por favor!	Español	48
Características técnicas, Instruções de segurança, Utilização autorizada, Declaração de Conformidade CE, Acumulador, Manutenção, Símbolo	Por favor leia e conserve em seu poder!	Português	54
Technische gegevens, Veiligheidsadviezen, Voorgeschreven gebruik van het systeem, EC-Konformiteitsverklaring, Akku, Onderhoud, Symbolen	Lees en let goed op deze adviezen!	Nederlands	59
Tekniske data, Sikkerhedshenvisninger, Tiltænk formål, CE-Konformitetserklæring, Batteri, Vedligeholdelse, Symboler	Vær venlig at læse og opbevare!	Dansk	64
Tekniske data, Spesielle sikkerhetshenvisninger, Formålsmessig bruk, CE-Samsvarserklæring, Batterier, Vedlikehold, Symboler	Vennligst les og oppbevar!	Norsk	69
Tekniska data, Säkerhetsutrustning, Använd maskinen Enligt anvisningarna, CEFörsäkran, Batterier, Skötsel, Symboler	Läs igenom och spara!	Svenska	74
Tekniset arvot, Turvallisuusohjeet, Tarkoituksenmukainen käyttö, Todistus CE-standardinmukaisuudesta, Akku, Huolto, Symbolit	Lue ja säilytö!	Suomi	79
Τεχνικά στοιχεία, Ειδικές υποδείξεις ασφαλείας, Χρήση σύμφωνα με το σκοπό προοριζού, Δήλωση πιστότητας ΕΚ, Μπαταρίες, Χαρακτηριστικά, Συντήρηση, Σύμβολα.	Παρακαλώ διαβάστε τις και φυλάξτε τις!	Ελληνικά	84
Teknik veriler, Güvenliğinizi için talimatlar, Kullanım, CE uygunluk beyanince, Akü, Bakım, Semboller	Lütfen okuyun ve saklayın	Türkçe	90
Technická data, Speciální bezpečnostní upozornění, Oblast využití, Ce-prohlášení o shodě, Akumulátor, Údržba, Symboly	Po přečtení uschovejte	Česky	95
Technické údaje, Špeciálne bezpečnostné pokyny, Použitie podľa a predpisov, CE-Vyhľadanie konformity, Sieťová prípojka, Údržba, Symboly	Prosím prečítať a uschovať!	Slovensky	100
Dane techniczne, Specjalne zalecenia dotyczace bezpieczone'stwa, Uzytkowanie zgodnie z przeznaczeniem, Swiadectwo zgodnosci ce, Podlaczenie do sieci, Gwarancja, Symbole	Należy uważnie przeczytać i zachować do wglądu!	Polski	105
Műszaki adatok, Különleges biztonsági tudnivalók, Rendeltetésszerű használat, Ce-azonossági nyilatkozat, Hálózati csatlakoztatás, Karbantartás, Szimbólumok	Olvassa el és őrizze meg	Magyar	111
Tehnični podatki, Specialni varnostni napotki, Uporaba v skladu z namembnostjo, Ce-izjava o konformnosti, Omeženi priključek, Vzdrževanje, Simboli	Prosimo preberite in shranite!	Slovensko	117
Tehnički podaci, Specijalne sigurnosne upute, Propisna upotreba, CE-Izjava konformnosti, Priključak na mrežu, Održavanje, Simboli	Molimo pročitati i sačuvati	Hrvatski	122
Tehniskie dati, Speciālie drošības noteikumi, Noteikumiem atbilstošs izmantojums, Atbilstība CE normām, Tikla pieslēgums, Apkope, Simboli	Pielikums lietošanas pamācībai	Latviski	127
Techniniai duomenys, Ypatingos saugumo nuorodos, Naudojimas pagal paskirti, CE Atitikties pareiškimas, Elektros tinklo jungtis, Techninis aptarnavimas, Simboliai	Prašome perskaityti ir neišmesti!	Lietuviškai	132
Tehnilised andmed, Spetsiaalsed turvajuhised, Kasutamine vastavalt otstarbele, EÜ Vastavusavaldus, Võrkü ühendamine, Hooldus, Sümbolid	Palun lugege läbi ja hoidke alal!	Eesti	137
Технические данные, Рекомендации по технике безопасности, Использо- вание, Подключение к электросети, Обслуживание, Символы	Пожалуйста прочтите и сохраните эту инструкцию.	Русский	142
Технически данни, Специални указания за безопасност, Използване по предназначение, Моля прочетете и запазете! CE-Декларация за съответствие, Свързване към мрежата, Поддръжка, Символи		Български	148
Date tehnice, Instrucțiuni de securitate, Condiții de utilizare specifice, Declarație de conformitate, Acumulatori, Intreținere, Simboluri	Va rugăm citiți și păstrați aceste instrucțiuni	Română	154
Технички Податоци, Упатство За Употреба, Специфицирани Услови На Употреба, Еу-декларација За Сообразност, БАТЕРИИ, Одржување, Символи	Ве молиме прочитајте го и чувајте го ова упатство!	Македонски	160
Технічні характеристики, Вказівки З Техніки Безпеки, Використання за призначенням, Сертифікат Відповідності Вимогам Єс, Акумуляторна, Обслуговування, Символи	Прочитайте та зберіть цю інструкцію.	Українська	166
تعليمات السلامة، شروط الاستخدام المعدّة، البطاريات، إعلان المطابقة - الاتحاد الأوروبي، الصيانة، الرموز	يرجى قراءة وحفظ هذه التعليمات!	العربية	177



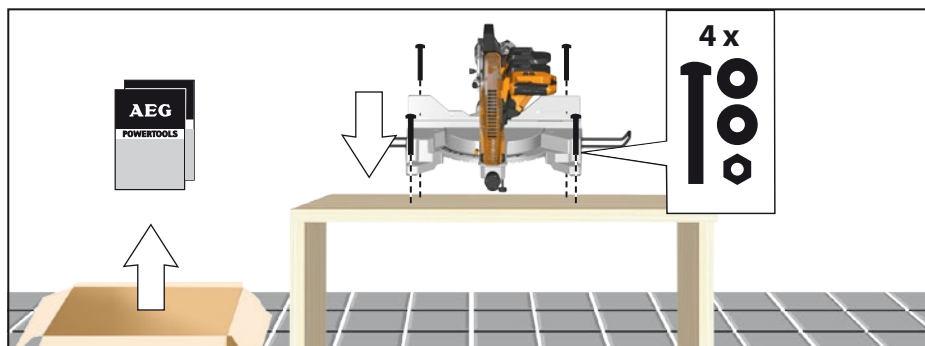
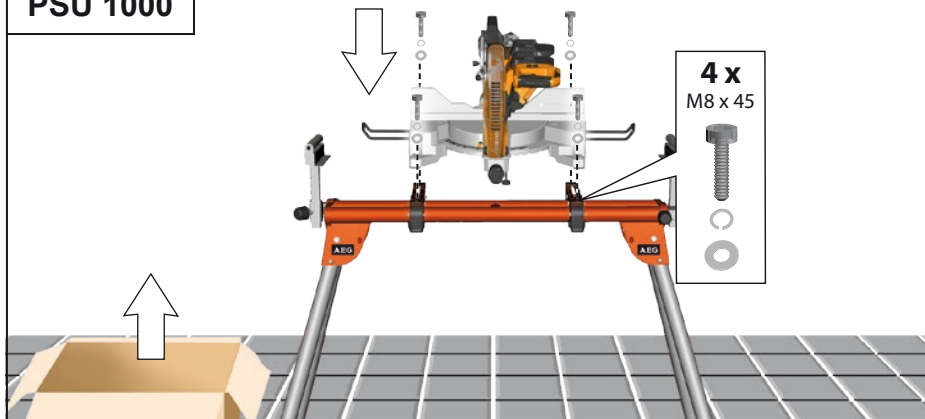




 Accessory
Zubehör
Accessoires
Accessorio
Accessorio • Acessório
Toebehoren • Tilbehør
Tilbehør • Tillbehör
Lisälaite • Εξαρτήματα
Akcesuar • Príslušenstv
Príslušenstv • Wyposażenie
Azokát a tartozékokat
Oprema • Piederumi
Priedas • Tarvikud
Дополнитель • Аксессуары
Accesorii • ополнительна
опрема • Комплектуючі
الملحق



PSU 1000



Not included in standard equipment.

Im Lieferumfang nicht enthalten.

Ces pièces ne font pas partie de la livraison.

on incluso nella dotazione standard.

No incluido en el equipo estándar.

Não incluído no equipamento normal.

Wordt niet meegeleverd.

Ikke inkludert i leveringsomfanget.

Inngår ikke i leveransen.
Inngår ej i leveransomfanget.
Ei sisälly vakiovarustukseen.
Δεν συμπεριλαμβάνεται
Το σελιματ κάσμινα δεξιλιρι.
V dodávce neobsaženo.
Neobsahuje štandardná výbava.
Nie stanowi wyposażenia standardowego
Nem tartozéka a készüliéknek.
Ni v obsegu dobave.

U opsegu isporuke nije sadržano.

Komplektáciija nav ietverts.

Nejaina j komplektáciija.

Ei kuulu tarne komplekti.

He входит в обьем поставки

He e vklücheno в обема на доставката.

Nu este inclus în echipamentul standard

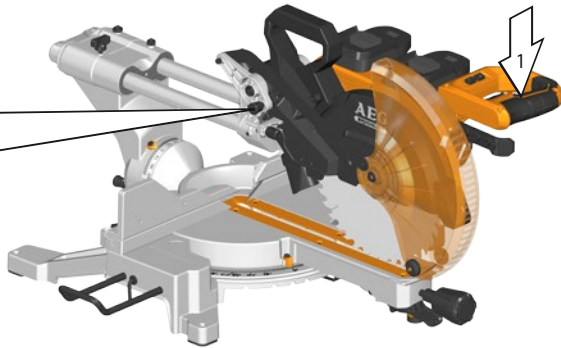
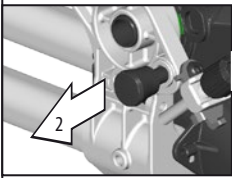
He e vklücheno во štandardna опрема

He входит в обсяг постачання.

ليس مدرجا كمعدة قياسية

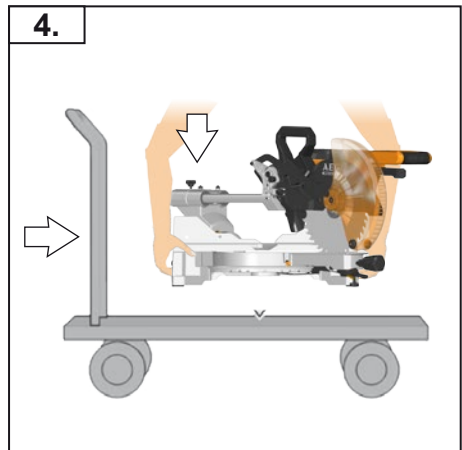
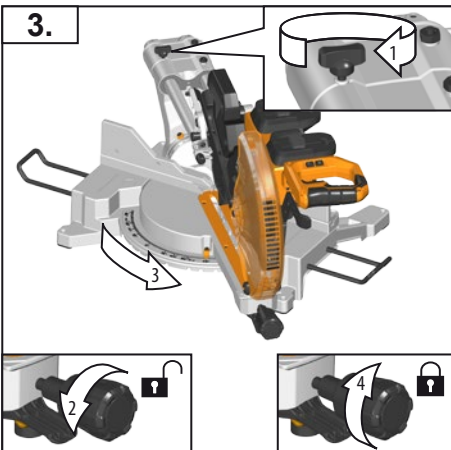
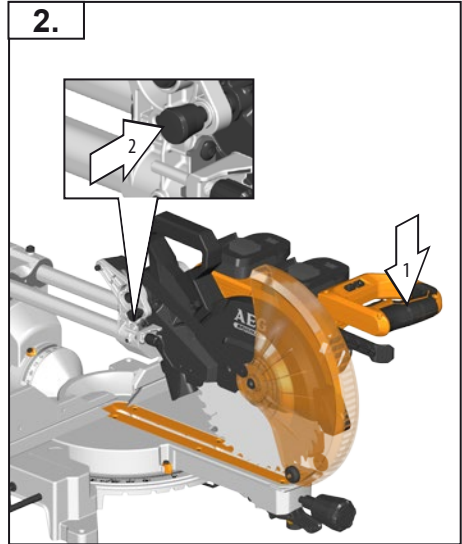
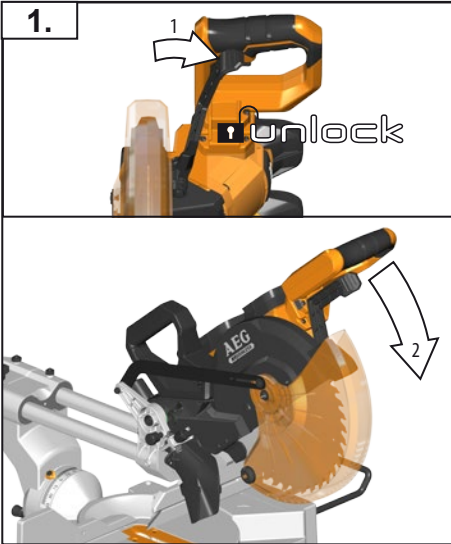


1.



2.







1.



2.

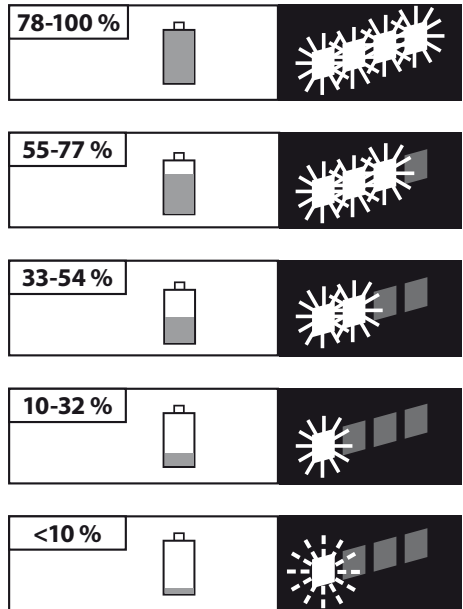
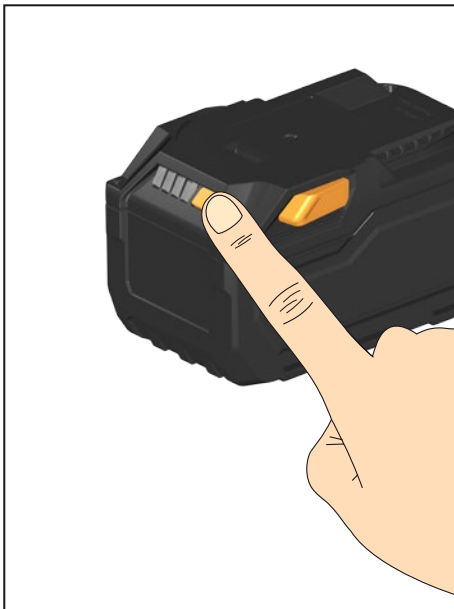
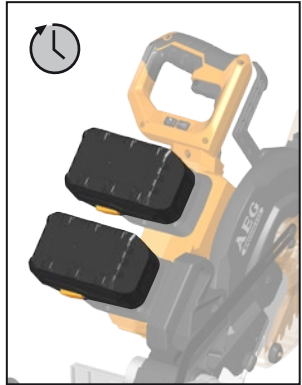


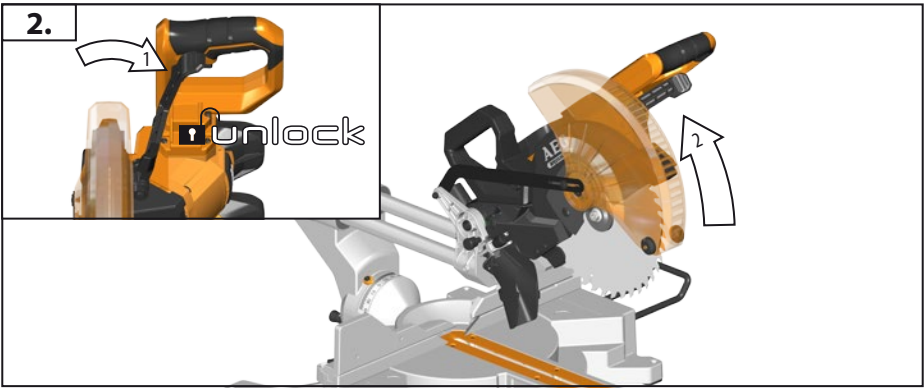
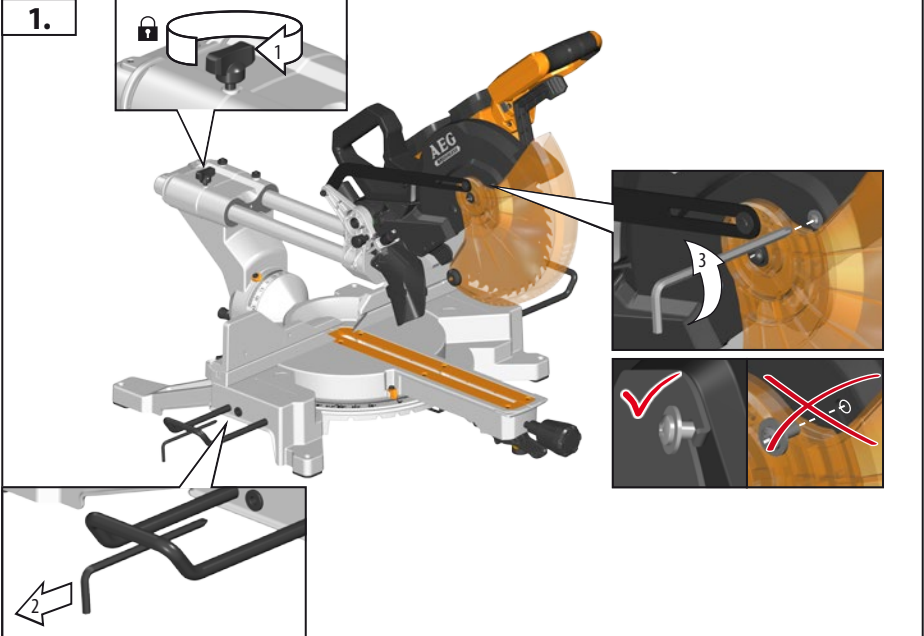
1.

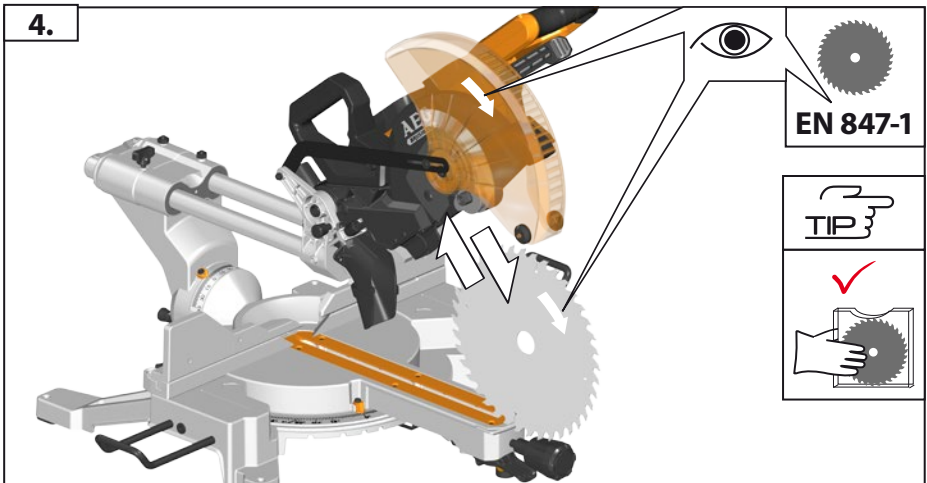
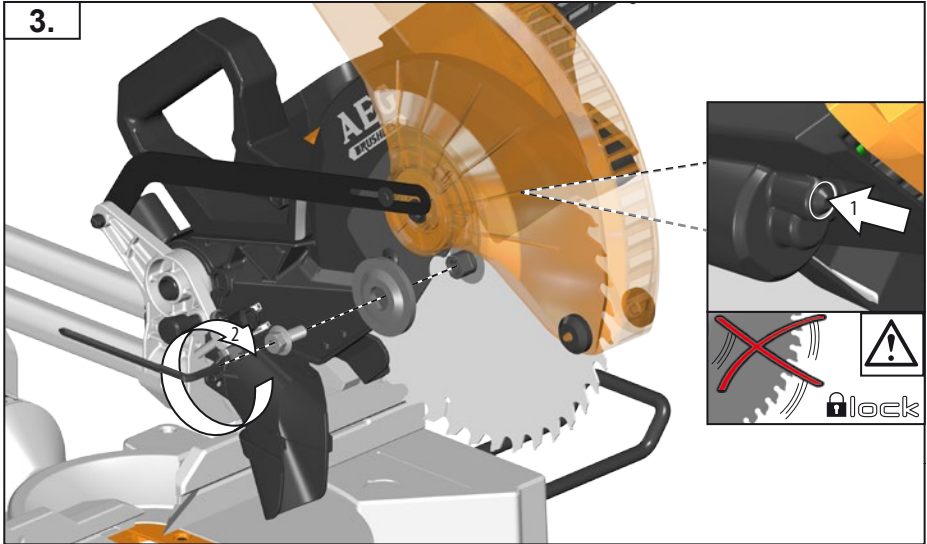


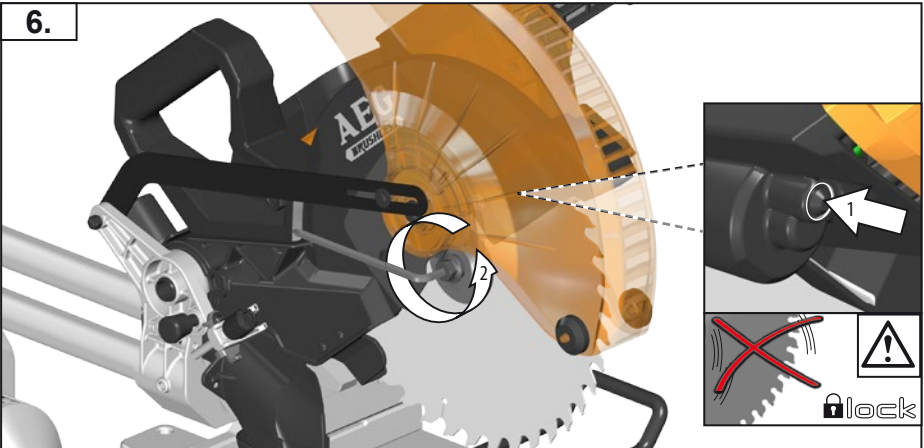
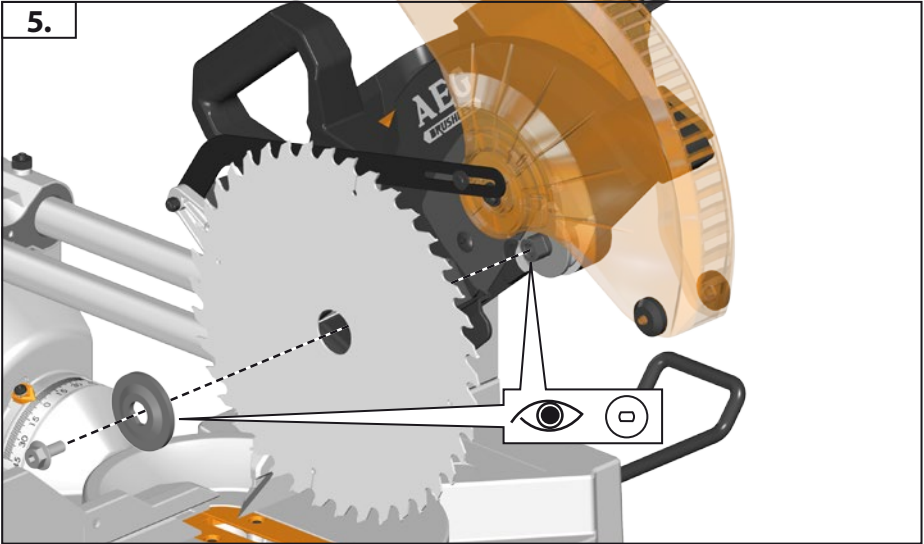
2.

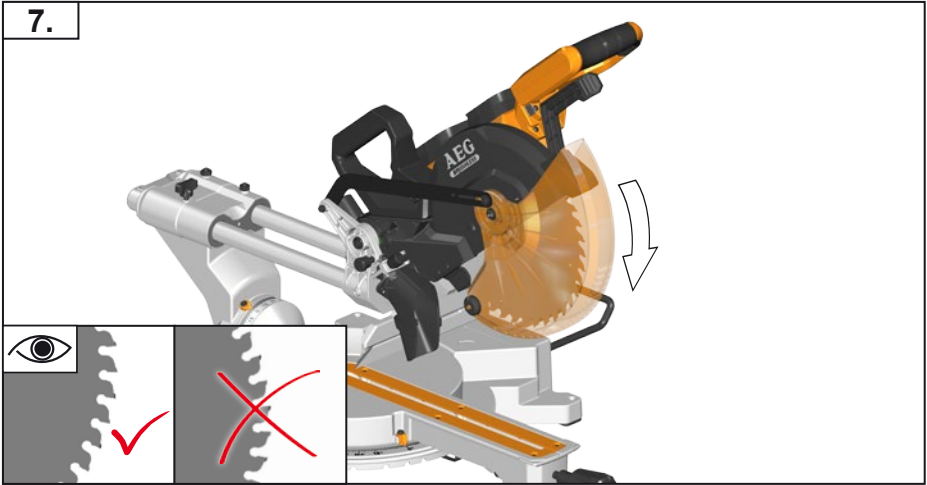


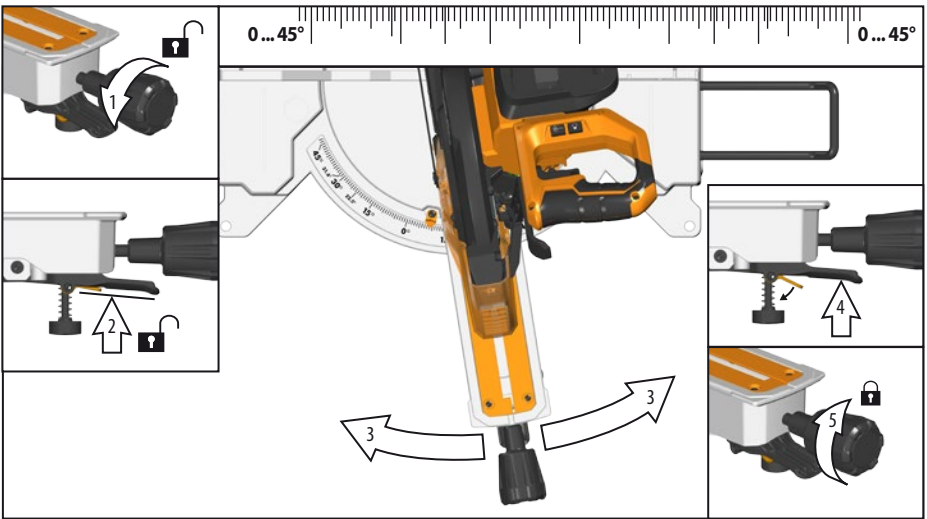
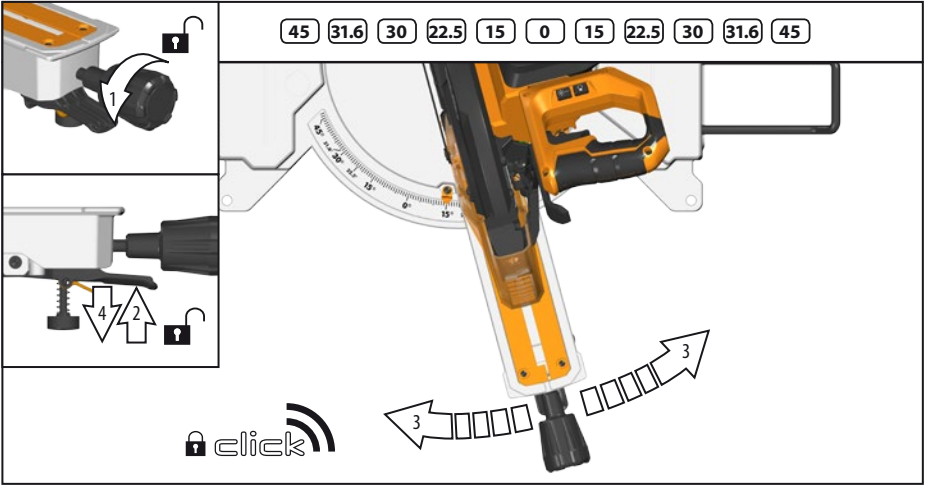
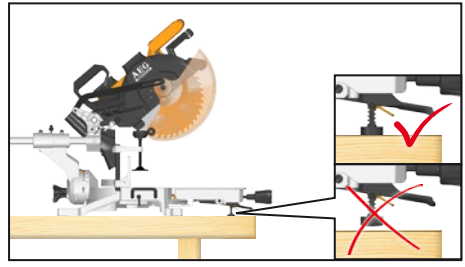
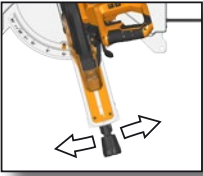


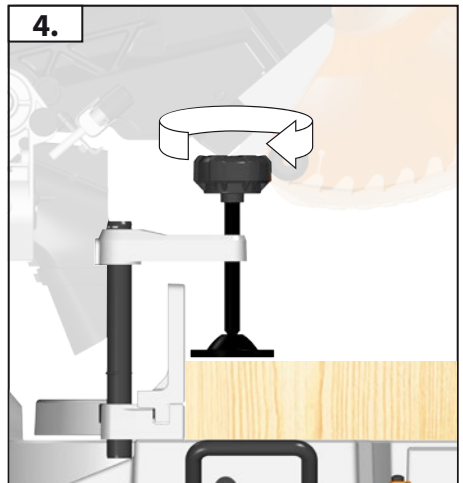
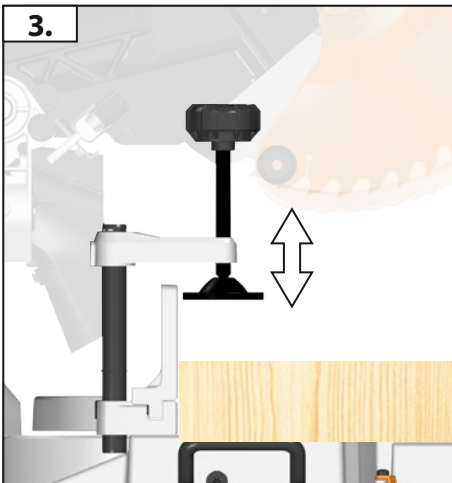
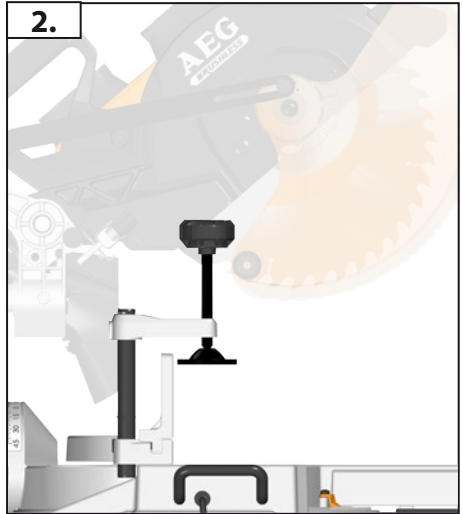
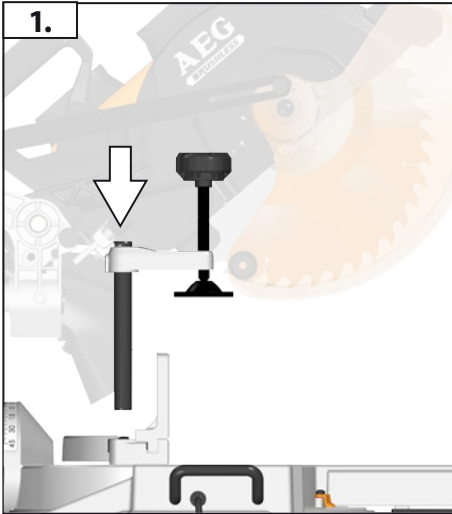
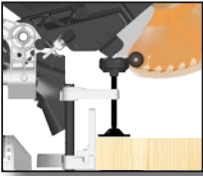


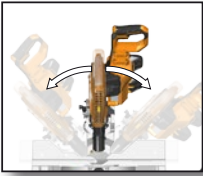




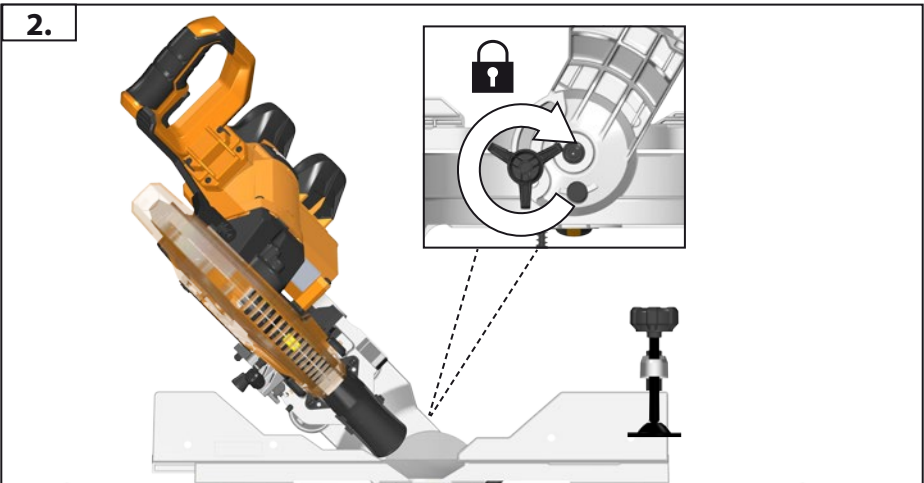
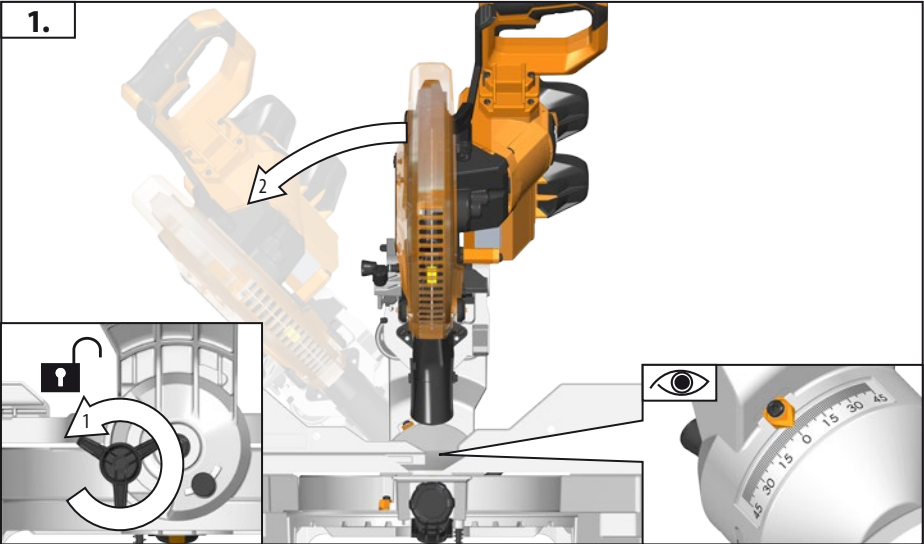


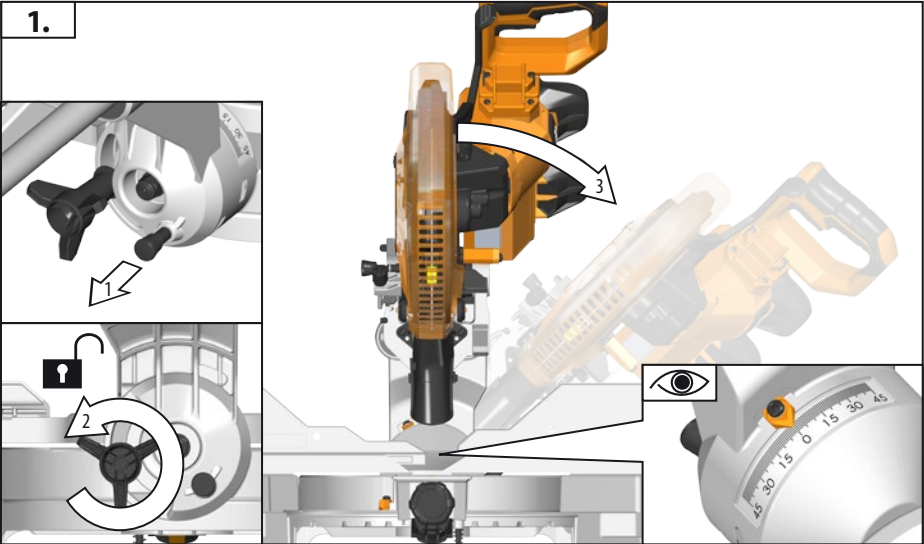
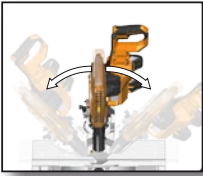




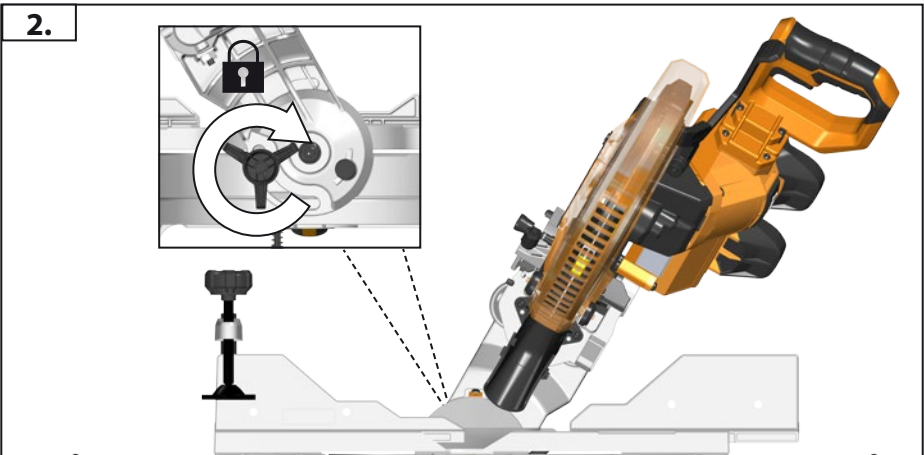


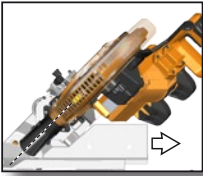
VII



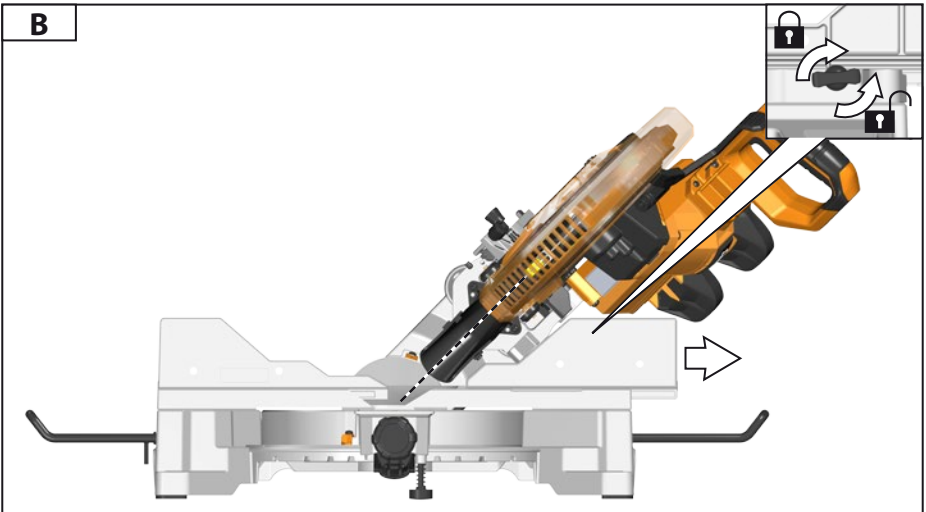
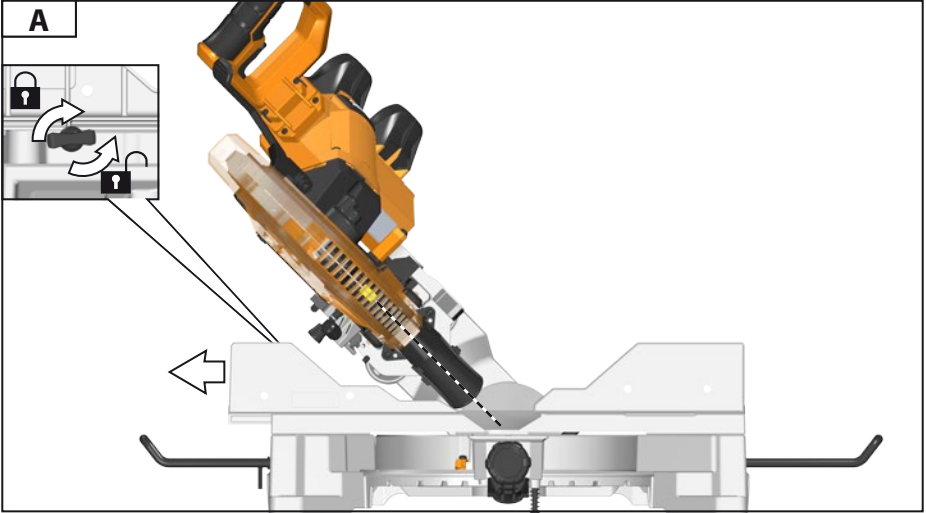


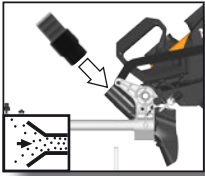
VII





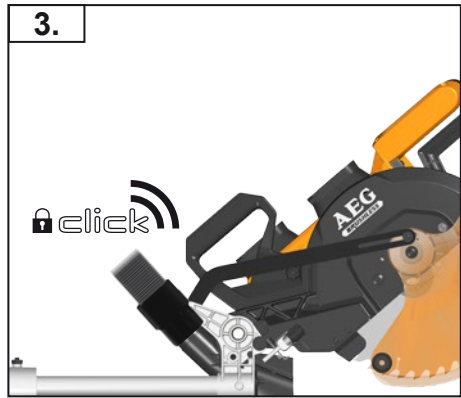
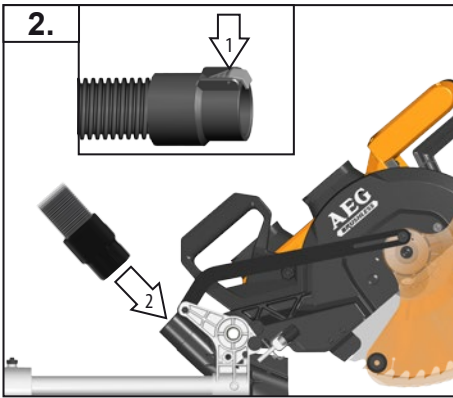
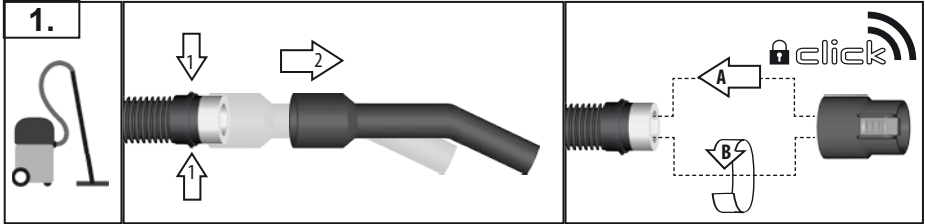


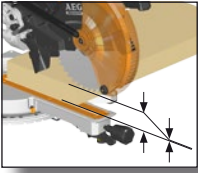

VIII



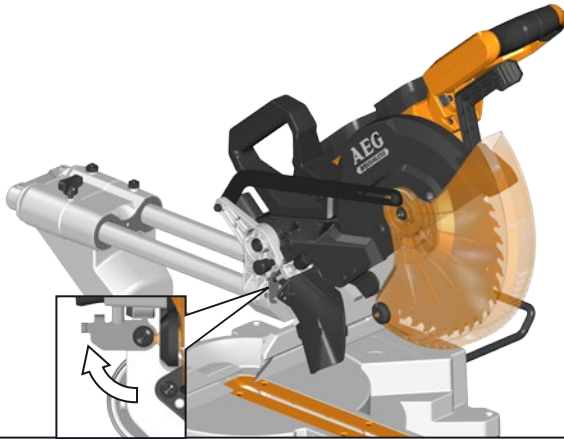


		
A	AP 2-200	4931 4472 95
B	AP 300	4931 4472 94

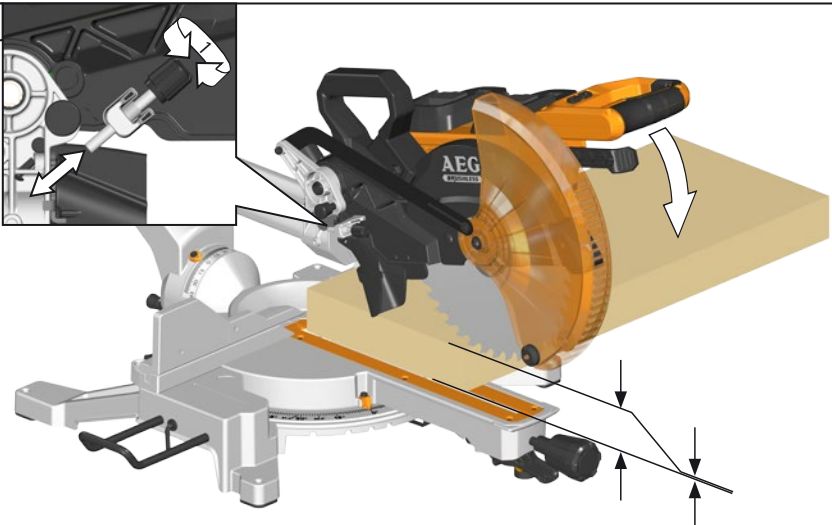


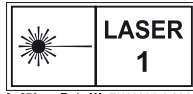
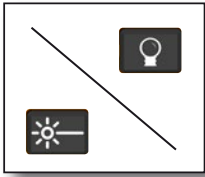


1.

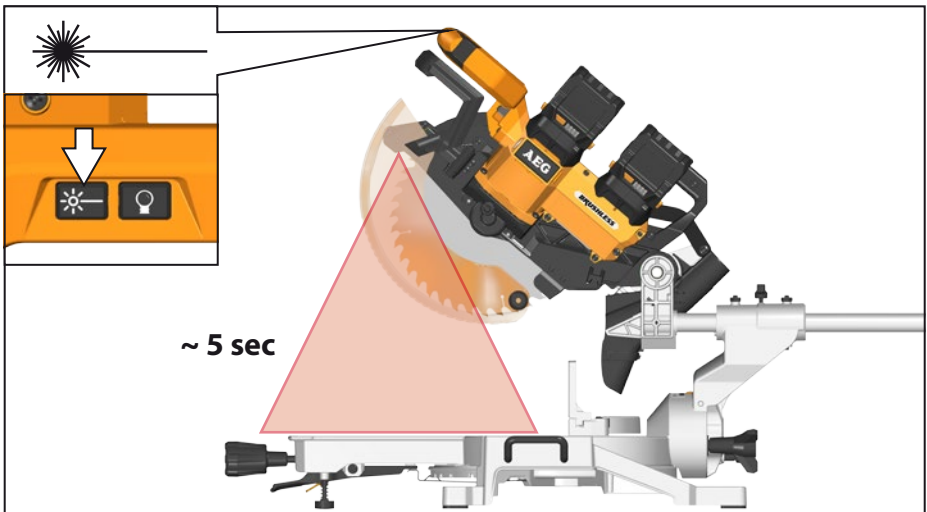
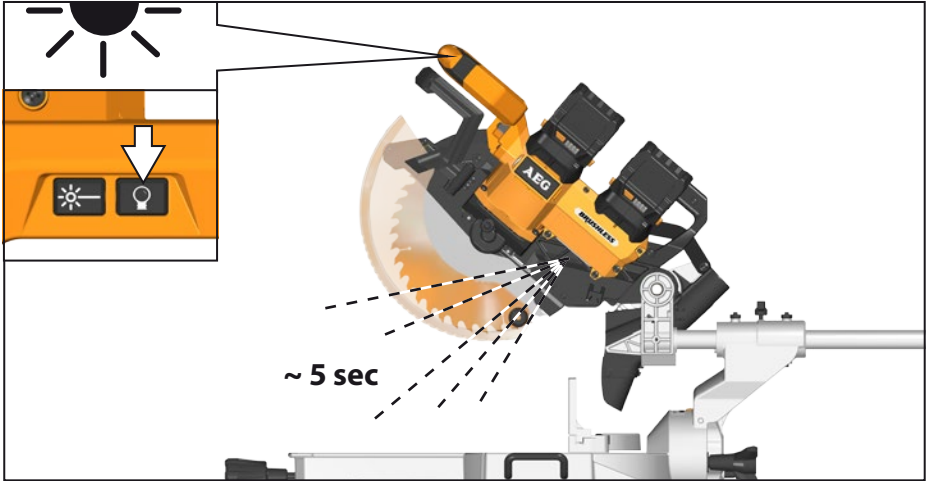


2.





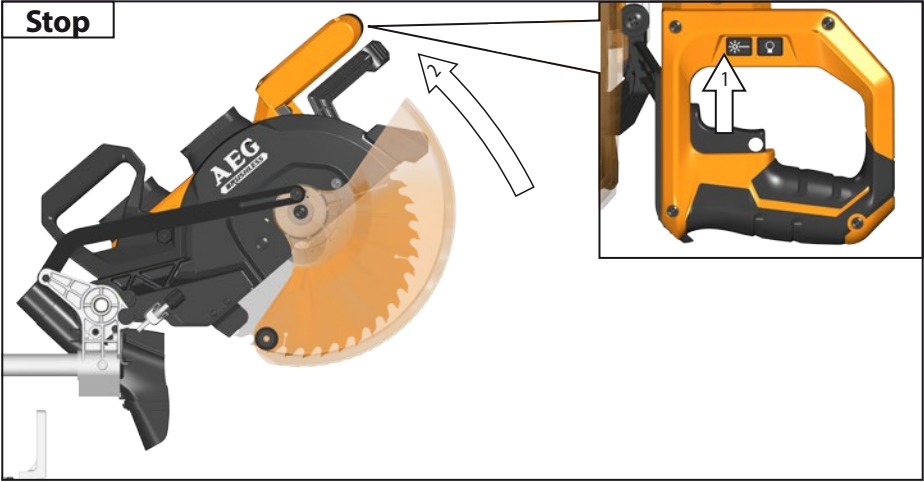
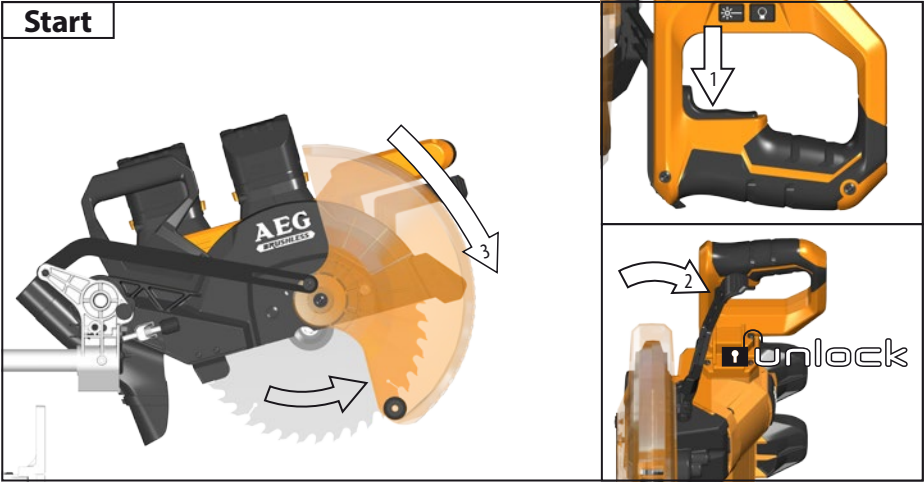
λ : 650nm; P<1mW EN60825-1:2014

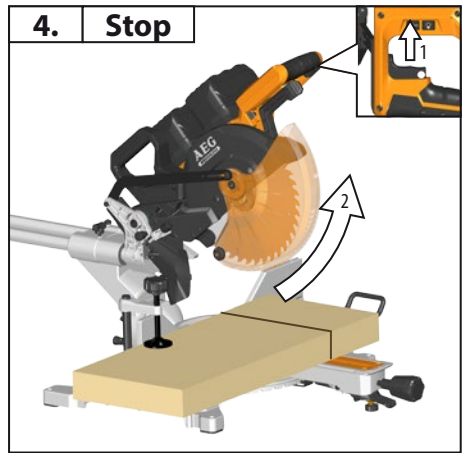
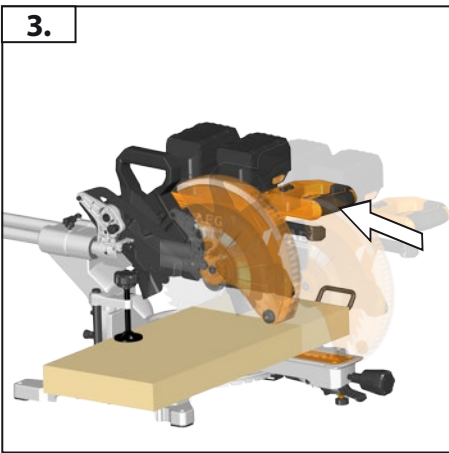
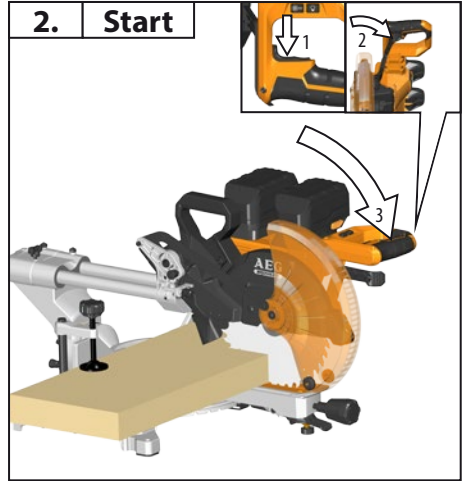
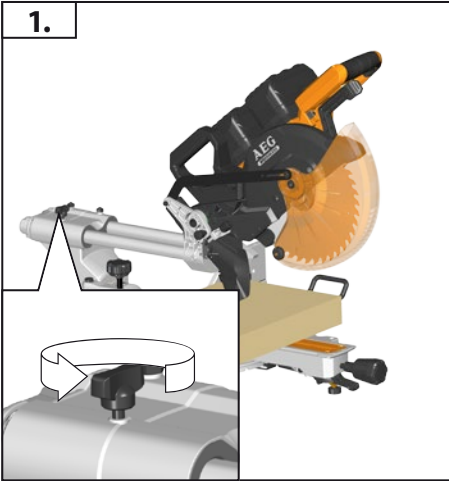
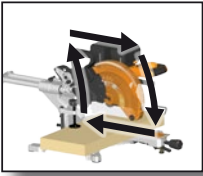


XI



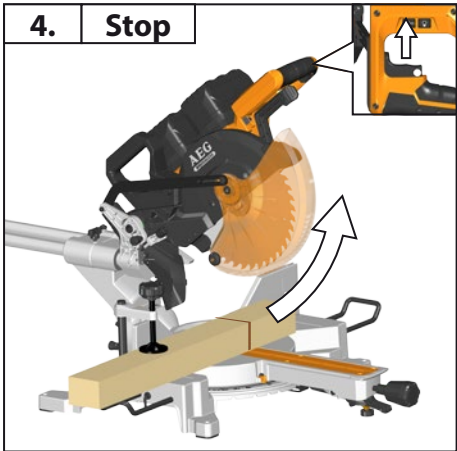
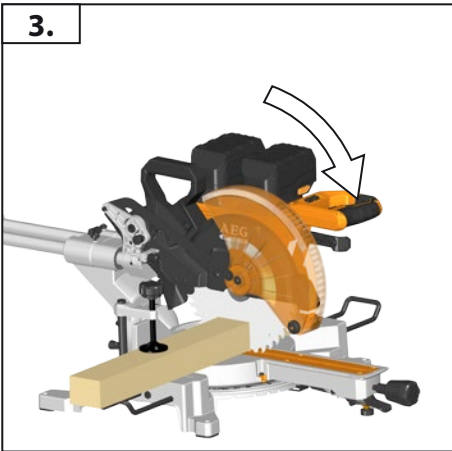
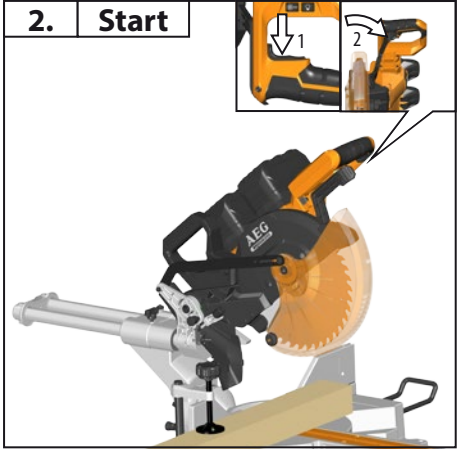
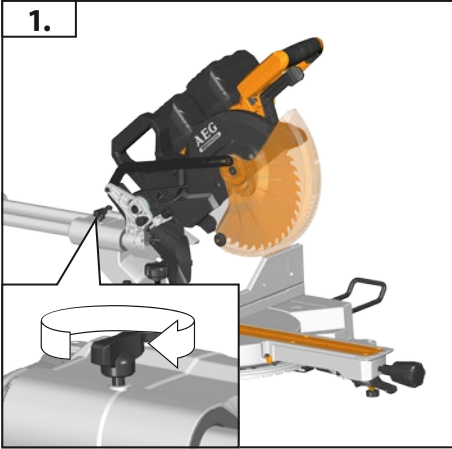
START
STOP
XII

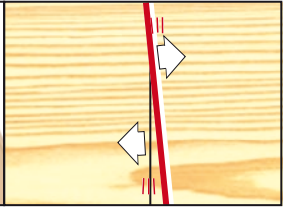
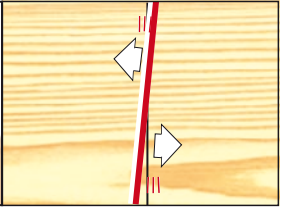
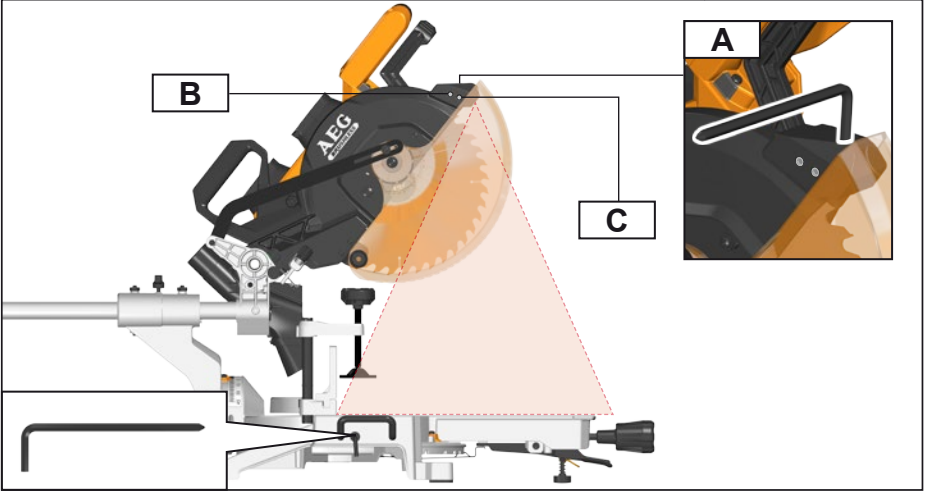
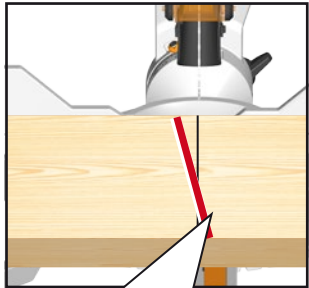
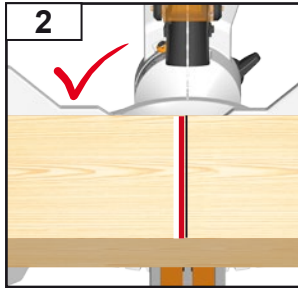
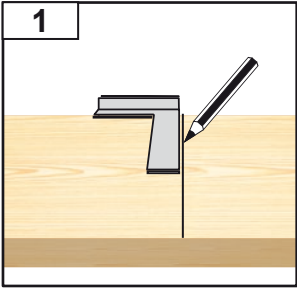


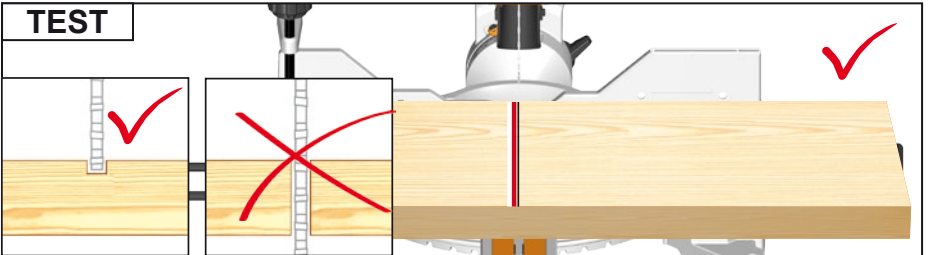
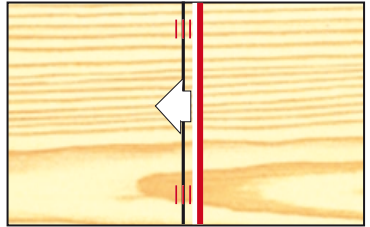
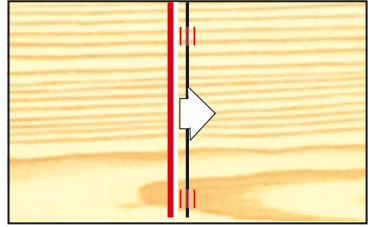
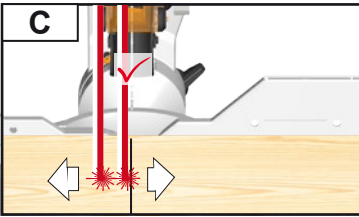
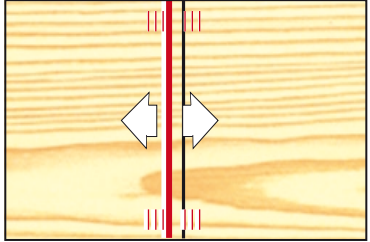
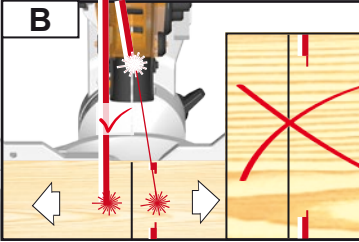


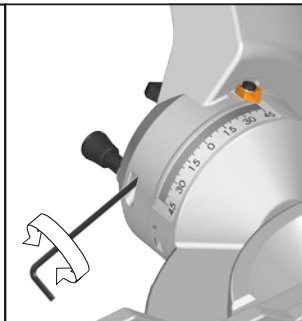
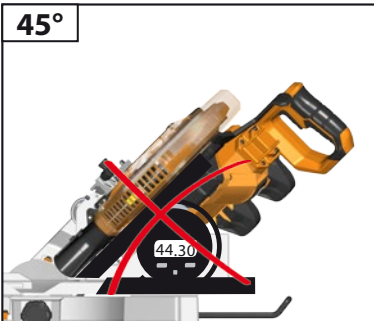
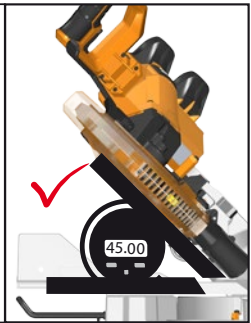
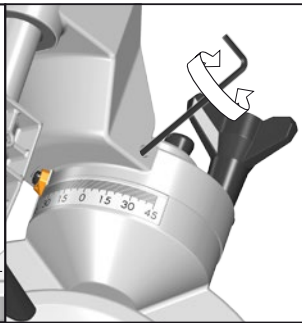
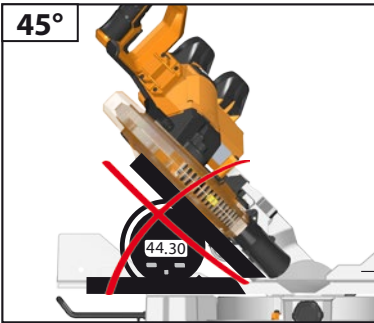
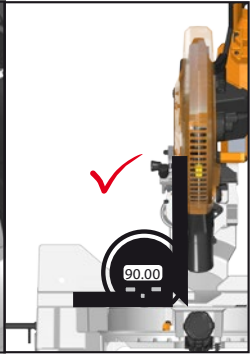
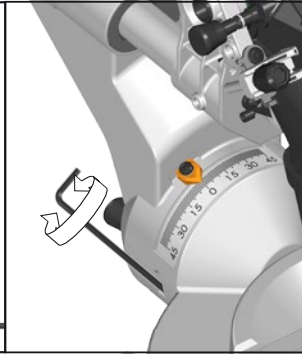
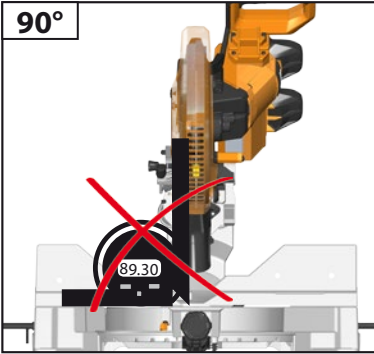


XIV











If a correction of the 90° angle of the guide-plate to the saw blade is necessary, use the correction screw.

Falls eine Korrektur des 90° Winkels der Führungsplatte zum Sägeblatt nötig ist, diese mit der Korrekturschraube durchführen

Si une correction de l'angle à 90° de la plaque de base par rapport à la lame de scie s'avère nécessaire, il convient alors d'avoir recours à la vis de correction.

Nella caso in cui si rendesse necessaria una correzione dell'angolo di 90° della piastra di base rispetto alla lama, questa potrà essere effettuata agendo sulla vite di correzione.

Si es necesario un ajuste o corrección de perpendicularidad (90°) del disco de sierra actuar sobre el tornillo de ajuste.

Caso se torne necessário corrigir a esquadria da base em relação ao disco de corte, agir sobre o parafuso de afinação.

Indien een correctie van de 90° hoek van de bodemplaat ten opzichte van het zaagblad nodig is kan deze worden gecorrigeerd met de correctieschroef.

Såfremt det er nødvendigt med en korrektion af bundpladens 90° vinkel i forhold til savklingen, gennemføres denne med korrektionskruen.

Hvis det er nødvendigt å foreta en justering av 90°-vinkelen på føringsplaten i forhold til

sagbladet, må dette gjøres med justeringsskruen.

Med stålskruv är det möjligt att justera 90°-vinkeln, bottenplatta till sågklingen.

Mikäli pohjalevyn 90°-kulman oikaisu sahanterään nähden on tarpeen, oikaisu suoritetaan oikaisuuvivusta.

Kilavuz levhannin testere bicağına 90°lik konumunda bir düzeltme gerekiyorsa, bunu düzeltme vidası ile yapın.

Je-li nutná oprava kolmosti vodičí desky k pilovému kotouči, provedte to nastavovacím šroubem.

Ak je potrebná korektúra 90° uhlu vodiacej platne k pilovému listu, použite korekčnú skrutku.

Jeżeli konieczne jest skorygowanie kąta ustawienia płytki prowadzącej 90° w stosunku do brzoźszcota, należy wykorzystać do tego celu śrubę regulacyjną.

Ha az alaplap és a fűrészlap által bezárt 90 fokos szög korrekcióra szorul, használja az állító csavart.

Če je potrebna korektura 90° kota vodilne plošče k žaginemu listu, to opravite s pomočjo korekturnega vijaka.

Ako je potrebno korektura kuta vodeće ploče od 90° prema listu pile, ovu izvesti sa vijkom za korekturu.

Gadjijumá, ja nepieciešama atbalsta plāksnes 90° leņķa korekcija attiecībā pret zāģa ripu, izmantojiet korekcijas skrūvi.

Jei tarp kreipiamosio ir pjūklų reikalinga 90° laipsnių pataisa, tai atlikite pataisos varžtų.

Juhul kui on vaja parandada juhtplaadi 90° nurka saelehe suhtes, siis tehke seda korrigeeriva kruviga.

Для регулировки угла 90 град направляющей шины пильного полотна служит

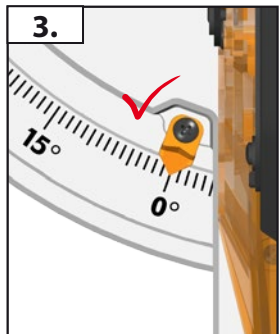
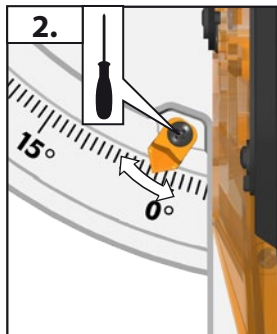
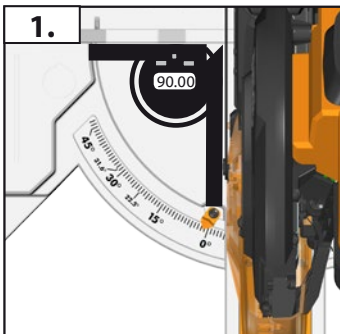
регулировочный винт. Ако е необходима корекция на ъгъла от 90° наводещата плоча спрямо режещия диск, направете я с коригиращия винт.

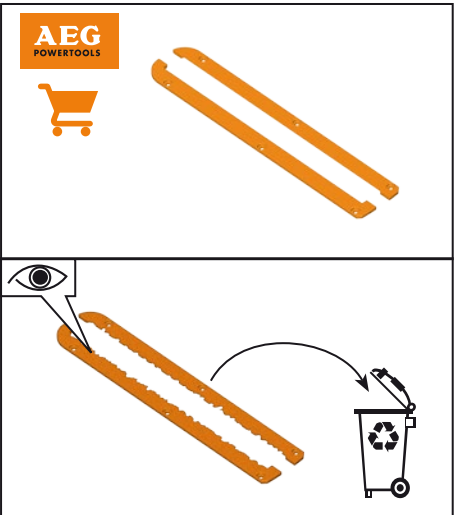
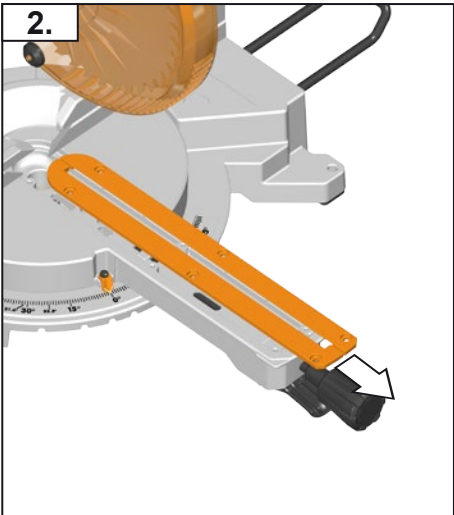
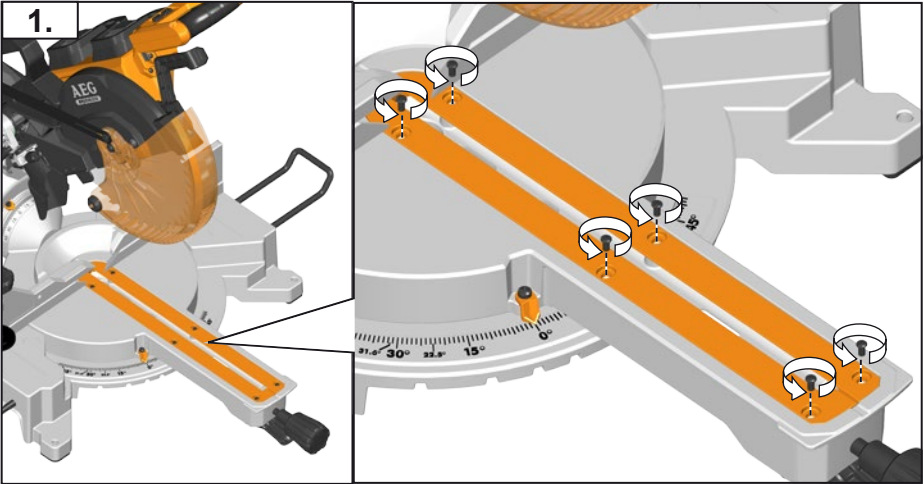
Dacă este necesară o corecție în unghi de 90° a plăcii de ghidare față de lama ferăstrăului, utilizați șurubul de corecție.

Доколку е потребно корегирање на аголот од 90° водечката површина кон сечилото на пилата, користет го шрафот за корекција.

Якщо необхідна корекція кута 90° напрямної пластини пилкового диску, виконати корекцію за допомогою регулювального гвинта

إذا تطلب الأمر تصحيح الزاوية القائمة للوحة التوجيه الخاصة بشفرة المنشار، استخدم برغي التصحيح للقيام بذلك.





TECHNICAL DATA Mitsubaw *	BPS18-254BL
Production code	4601 74 01... ... 000001-999999
Battery voltage	18 V
No-load speed	3900 min ⁻¹
Saw blade dia. x hole dia	254 × 30 mm
Saw blade body thickness	1,6 mm
Saw blade tooth thickness	2,2 mm
Max. cutting capacity Mitre 0°/ Bevel 0° Mitre 0°/ Bevel 45° Mitre 0°/ Bevel 45° Mitre 45°/ Bevel 0° Mitre 45°/ Bevel 0° Mitre 45°/ Bevel 45° Mitre 45°/ Bevel 45°	90 mm × 305 mm 39 mm × 305 mm 43 mm × 305 mm 90 mm × 215 mm 50 mm × 215 mm 39 mm × 215 mm 43 mm × 215 mm
Min. workpiece dimensions	215 × 35 × 2,5 mm
Weight according EPTA-Procedure 01/2003 (Li-Ion 5.0 Ah)	16,3 kg
Noise information Measured values determined according to EN 61029. Typically, the A-weighted noise levels of the tool are: Sound pressure level (Uncertainty K=3dB(A)) Sound power level (Uncertainty K=3dB(A))	89,0 dB (A) 98,5 dB (A)
Wear ear protectors! Vibration information Vibration total values (triaxial vector sum) determined according to EN 61029 Sawing of wood: Vibration emission value a _h Uncertainty K=	1,1 m/s ² 1,5 m/s ²

* PS ≙ Mitsubaw

WARNING!

The vibration emission level given in this information sheet has been measured in accordance with a standardised test given in EN 61029 and may be used to compare one tool with another. It may be used for a preliminary assessment of exposure.

The declared vibration emission level represents the main applications of the tool. However if the tool is used for different applications, with different accessories or poorly maintained, the vibration emission may differ. This may significantly increase the exposure level over the total working period.

An estimation of the level of exposure to vibration should also take into account the times when the tool is switched off or when it is running but not actually doing the job. This may significantly reduce the exposure level over the total working period.

Identify additional safety measures to protect the operator from the effects of vibration such as: maintain the tool and the accessories, keep the hands warm, organisation of work patterns.

⚠ WARNING Read all safety warnings and all instructions. Failure to follow the warnings and instructions may result in electric shock, fire and/or serious injury.

Save all warnings and instructions for future reference.

GENERAL SAFETY WARNINGS

⚠ WARNING

When using electric tools basic safety precautions should always be followed to reduce the risk of fire, electric shock and personal injury including the following. Read all these instructions before attempting to operate this product and save these instructions.

Keep work area clear. Cluttered areas and benches invite injuries.

Consider work area environment. Do not expose tools to rain. Do not use tools in damp or wet locations. Keep work area well lit. Do not use tools in the presence of flammable liquids or gases.

Guard against electric shock. Avoid body contact with earthed or grounded surfaces (e.g. pipes, radiators, ranges, refrigerators).

Keep other persons away. Do not let persons, especially children, not involved in the work, touch the tool or the extension cord, and keep them away from the work area.

Store idle tools. When not in use, tools should be stored in a dry locked-up place, out of reach of children.

Do not force the tool. It will do the job better and safer at the rate for which it was intended.

Use the right tool. Do not force small tools to do the job of a heavy duty tool. Do not use tools for purposes not intended, for example, do not use circular saws to cut tree limbs or logs.

Dress properly. Do not wear loose clothing or jewellery, they can be caught in moving parts. Non-skid footwear is recommended when working outdoors. Wear protective hair covering to contain long hair.

Use protective equipment. Use safety glasses. Use face or dust mask if working operations create dust.

Connect dust extraction equipment. If the tool is provided for the connection of dust extraction and collecting equipment, ensure these are connected and properly used.

Do not abuse the cord. Never yank the cord to disconnect it from the socket. Keep the cord away from heat, oil and sharp edges.

Secure work. Where possible, use clamps or a vice to hold the work. It is safer than using your hand.

Do not overreach. Keep proper footing and balance at all times.

Maintain tools with care. Keep cutting tools sharp and clean for better and safer performance. Follow instruction for lubricating and changing accessories. Inspect tool cords periodically and if damaged, have them repaired by an authorised service facility. Inspect extension cords periodically and replace if damaged. Keep handles dry, clean and free from oil and grease.

Disconnect tools. When not in use, before servicing and when changing accessories such as blades, bits and cutters, disconnect tools from the power supply.

Remove adjusting keys and wrenches. Form the habit of checking to see that keys and adjusting wrenches are removed from the tool before turning it on.

Avoid unintentional starting. Ensure switch is in "off" position when installing battery pack.

Use outdoor extension leads. When the tool is used outdoors, use only extension cords intended for outdoor use and so marked.

Stay alert. Watch what you are doing, use common sense and do not operate the tool when you are tired.

Check damaged parts. Before further use of tool, it should be carefully checked to determine that it will operate properly and perform its intended function. Check for alignment of moving parts, binding of moving parts, breakage of parts, mounting and any other conditions that may affect its operation.

A guard or other part that is damaged should be properly repaired or replaced by an authorised service centre unless otherwise indicated in this instruction manual.

Have defective switches replaced by an authorised service centre. Do not use the tool if the switch does not turn it on and off.

Warning. The use of any accessory or attachment other than the one recommended in this instruction manual may present a risk of personal injury.

Have your tool repaired by a qualified person. This electric tool complies with the relevant safety rules. Repairs should only be carried out by qualified persons using original spare parts otherwise this may result in considerable danger to the user.

Always clamp the workpiece safely and securely.

Ensure that the machine is always stable and secure (e.g. fixed to a bench).

Always wear ear protectors. Exposure to noise can cause hearing loss.

Always wear safety goggles when using the machine. It is recommended to wear gloves for handling blades and rough material, as well as sturdy non-slip shoes which also protect the feet from workpieces that may fall from the cutting area.

Always remove the plug or battery pack before carrying out any adjustment, maintenance or cleaning on the machine.

Ensure the machine is switched off before installing or removing the battery pack.

Do not stand in a line with the saw blade in front of the machine.

Always stand aside of the saw blade.

Keep hands, fingers, and arms away from the rotating saw blade.

Never reach into the area near the blade, unless the blade has completely stopped.

Before use, thoroughly check the tool for any damage or material fatigue. Repairs should only be carried out by authorised service agents.

Always use the guards on the machine. Do not use the machine if the guards are not in place and working correctly.

Do not clamp the protective swing guard.

If the workpiece or blade becomes jammed, turn the mitre saw off. Wait for all moving parts to stop and disconnect the plug from the power source and/or remove the battery pack. Then work to free the jammed material.

Never alter or modify the saw or its function. Your safety may be compromised.

Do not use saw blades which are cracked, damaged, or deformed.

Do not use saw blades made of high-speed steel.

Only use saw blades which are sharp. Replace blunt blades with a new replacement.

Use a blade holder or wear gloves when handling a saw blade.

Always use blades with correct size and shape of arbour holes.

Blades that do not match the mounting hardware of the saw will run eccentrically, causing loss of control.

Use only woodworking blades specified in this manual, which comply with EN 847-1.

Do not use any flanges, washers, and nuts to secure the saw blade other than those supplied or indicated in the instruction manual.

It is essential to adhere to the maximum speed specified on the saw blade.

It is necessary to select a saw blade which is suitable for the material being cut.

Never use the mitre saw to cut materials other than those specified in the intended use section in this manual.

Replace the table insert when worn or damaged.

Before work, make a dummy cut without the motor turned on so the position of the blade, operation of the guards with respect to other machine parts, and workpiece may be checked.



Refrain from removing any cut-offs or other parts of the workpiece from the cutting area whilst the machine is running and the saw head is not in the rest position.

When transporting the machine, use only transportation devices and never use guards for handling or transportation.

The handle lock must always be engaged when transporting the mitre saw.

Keep the floor area free of loose material e.g. chips and cut-offs.

Long workpieces must be adequately supported.

Stock having a round or irregular cross section (such as firewood) which cannot be clamped securely by the provided clamp must not be cut. When sawing into the edge of thin or layered stock, a suitable auxiliary fence must be used to provide support.

The dust produced when using this tool may be harmful to health. Do not inhale the dust. Use a dust absorption system and wear a suitable dust protection mask. Remove deposited dust thoroughly, e.g. with a vacuum cleaner.

Connect the saw to a dust-collecting device when sawing wood.

Do not replace the LED or laser with a different type. Any repairs must only be carried out by the manufacturer or authorised service agent.

Do not use saw blades not corresponding to the key data given in these instructions for use.

Transport and store the tools in a suitable receptacle;

Any faults with the machine, including any related to the safeguard or the saw blades, must be reported to the persons in charge of safety as soon as the faults are discovered.

When performing mitre, bevel or compound mitre cuts, adjust the sliding fence to ensure the correct clearance from the blade.

Adapt the feed speed to avoid overheating the blade tips and to avoid melting plastic materials during cutting.

WARNING Do not replace the LED with a different type.

SAFETY INSTRUCTIONS FOR WOOD CUTTING BLADE

Please read the manual and instructions carefully before using the saw blade and the machine.

The machine must be in good condition, the spindle without deformation and vibration.

Do not use the saw without the guards in position, keep guards in good working order and properly maintained.

Ensure the operator is adequately trained in safety precautions, adjustment, and operation of the machine.

Always wear goggles and ear protection when using the machine. It is recommended to wear gloves, sturdy non-slip shoes and apron.

Before using any accessory, consult the instruction manual. The improper use of an accessory can cause damage and increase the potential for injury.

Use only blades specified in this manual, complying with EN 847-1.

Observe the maximum speed marked on the saw blade. Ensure the speed marked on the saw blade is at least equal to the speed marked on the saw.

Always use blades with correct size and shape of arbour holes.

Blades that do not match the mounting hardware of the saw will run eccentrically, causing loss of control.

Do not use blades of larger or smaller diameter other than recommended. Do not use any spacers to make the blade fit onto the spindle.

Check the tips of the saw blade for damage or abnormal appearance before each use. Tips that are damaged or loose can become flying objects in use and increase the chance of personal injury.

Do not use cracked or distorted saw blades. Do not use saw blades that are damaged or deformed.

Scrap the saw blade if damaged, deformed, distorted or cracked, repairing is not permitted.

Do not use HSS blades.

Ensure the saw blade is mounted correctly, tighten the arbor nut securely before use (tightening torque approx. 12 Nm).

Fastening screw and nuts shall be tightened using the appropriate spanner, etc.

Extension of the spanner or tightening using hammer blows is not permitted.

Make sure the blade and flanges are clean and the recessed sides of the collar are against the blade.

Make sure the blade rotates in the correct direction.

Before work, make a dummy cut without the motor turned on so the position of the blade, operation of the guards with respect to other machine parts and workpiece may be checked.

Never leave the machine unattended.

Do not apply lubricants on the blade when it is running.

Never perform any cleaning or maintenance work when the machine is still running and the head is not in the rest position.

Never attempt to stop a machine in motion rapidly by jamming a tool or other means against the blade, serious accidents can be caused unintentionally in this way.

Disconnect the saw from the mains supply or remove battery pack before changing blades or carrying out maintenance.

Pay attention to blade packing and unpacking, it is easy to be injured by the sharp blade tips.

Use a blade holder or wear gloves when handling a saw blade.

Keep and store the blade in original packaging or other suitable packaging, keep in dry conditions and away from chemicals which may damage the blade.

LASER SAFETY RULES

The laser radiation used in this saw is Class 1 with maximum <math><1\text{mW}</math> and 650nm wavelengths. Do not view directly with optical instruments. Failure to comply with the rules could result in serious personal injury.

Do not stare into beam during operation.

Do not project the laser beam directly into the eyes of others. Serious eye injury could result.

Do not place the laser in a position that may cause anyone to stare into the laser beam intentionally or unintentionally.

Do not use optical tools to view the laser beam.

Do not operate the laser around children or allow children to operate the laser.

Do not attempt to repair the laser device by yourself.

Do not attempt to change any parts of the laser device by yourself.

Any repairs must only be carried out by the laser manufacturer or authorized service agent.

WARNING Do not replace the installed laser with a different type.

Do not point laser at reflective surfaces,

Avoid exposure to laser radiation. Laser may emit hazardous radiation.



SPECIFIED CONDITIONS OF USE

The slide compound mitre saw is intended for sawing solid and bonded wood with or without glued veneer, plastics, and materials similar to wood.

The slide compound mitre saw is intended to be used only by adult operators who have read the instruction manual and understand the risks and hazards.

The slide compound mitre saw is designed to be fixed at the base to a solid bench top. If the base is not securely fixed, the whole machine may move during cutting operations, which increases the possibility of serious personal injury.

The slide compound mitre saw is designed to make bevel and mitre cuts. The capacities for the various cuts are provided in the product specifications in this manual.

The slide compound mitre saw is to be used in dry conditions, with excellent ambient lighting and adequate ventilation.

The slide compound mitre saw is intended for consumer use and should only be used as described above and is not intended for any other purpose.

RESIDUAL RISK

Even when the slide compound mitre saw is used as prescribed, it is still impossible to completely eliminate certain residual risk factors. The following hazards may arise and the operator should pay special attention to avoid the following:

- Risk of contact with uncovered parts of the rotating saw blade.
- Kick-back of work pieces or parts of work pieces due to improper adjustment or handling.
- Catapulting of faulty carbide tips from the saw blade. Wear Eye protection at all times.
- Damage to the respiratory system. Wear respiratory protection masks containing filters appropriate to the materials being worked. Ensure adequate workplace ventilation. Do not eat, drink or smoke in the work area.
- Damage to hearing if effective hearing protection is not worn.

WARNING Dust from certain paints, coatings, and materials may cause irritation or allergic reactions. Dust from wood such as oak, beech, MDF, and others are carcinogenic. Materials containing asbestos should only be worked on or processed by qualified specialist operators.

WARNING Injuries may be caused or aggravated by prolonged use of a tool. When using any tool for prolonged periods, ensure you take regular breaks.

BATTERIES

Battery packs which have not been used for some time should be recharged before use.

Temperatures in excess of 50°C (122°F) reduce the performance of the battery pack. Avoid extended exposure to heat or sunshine (risk of overheating).

The contacts of chargers and battery packs must be kept clean.

For an optimum life-time, the battery packs have to be fully charged, after use.

To obtain the longest possible battery life remove the battery pack from the charger once it is fully charged.

For battery pack storage longer than 30 days: Store the battery pack where the temperature is below 27°C and away from moisture. Store the battery packs in a 30% - 50% charged condition. Every six months of storage, charge the pack as normal.

Battery acid may leak from damaged batteries under extreme load or extreme temperatures. In case of contact with battery acid wash it off immediately with soap and water. In case of eye contact rinse thoroughly for at least 10 minutes and immediately seek medical attention.

Do not store the battery pack together with metal objects (short circuit risk).

Do not dispose of used battery packs in the household refuse or by burning them. AEG Distributors offer to retrieve old batteries to protect our environment.

BATTERY AND CHARGER

Compatible battery pack (not included): System GBS

Compatible charger (not included): System GBS

Use only System GBS chargers for charging System GBS battery packs. Do not use battery packs from other systems.

TRANSPORTING LITHIUM BATTERIES

Lithium-ion batteries are subject to the Dangerous Goods Legislation requirements.

Transportation of those batteries has to be done in accordance with local, national and international provisions and regulations.

The user can transport the batteries by road without further requirements.

Commercial transport of Lithium-Ion batteries by third parties is subject to Dangerous Goods regulations. Transport preparation and transport are exclusively to be carried out by appropriately trained persons and the process has to be accompanied by corresponding experts.

When transporting batteries:

Ensure that battery contact terminals are protected and insulated to prevent short circuit. Ensure that battery pack is secured against movement within packaging. Do not transport batteries that are cracked or leak. Check with forwarding company for further advice

BATTERY PACK PROTECTION

In extremely high torque, binding, stalling and short circuit situations that cause high current draw, the tool will vibrate for about 5 seconds, the fuel gauge will flash, and then the tool will turn OFF. To reset, release the trigger.

Under extreme circumstances, the internal temperature of the battery pack could raise too much. If this happens, the fuel gauge will flash until the battery pack cooled down. After the lights go off, the work may continue.

Place the battery on the charger to charge and reset it.

MAINTENANCE

Do not modify this saw in any way or use accessories not approved by the manufacturer. Your safety and that of others may be compromised.

Do not use the saw if any switches, guards or other function of this saw does not work as it is intended to. Return to an authorised service centre for professional repair or adjustment.

Do not make any adjustments whilst the saw blade is in motion.

Remove the battery pack before making adjustments, lubricating or when doing any maintenance on the machine.

Before and after each use, check your saw for damage or broken parts and keep it in top working condition by replacing parts immediately with spares approved by the manufacturer.



The blade is very hot after use, wear gloves or allow to cool before maintenance or cleaning procedures.

Clean out accumulated dust using a brush or vacuum cleaner. Do not use compressed air.

To assure safety and reliability, all repairs, including changing brushes, should be performed by an authorised service centre.

Be sure to disconnect the tool from the power supply before attaching or removing the saw blade.

Clean tool and guarding system with dry cloth.

The ventilation slots of the machine must be kept clear at all times.

REPLACEMENT PARTS

Use only AEG accessories and spare parts. Should components need to be replaced which have not been described, please contact one of our AEG service agents (see our list of guarantee/service addresses).

If needed, an exploded view of the tool can be ordered. Please state the Article No. as well as the machine type printed on the label and order the drawing at your local service agents or directly at: Techtronic Industries GmbH, Max-Eyth-Straße 10, 71364 Winnenden, Germany.

EC-DECLARATION OF CONFORMITY

We declare under our sole responsibility that the product described under "Technical Data" fulfills all the relevant provisions of the directives

2011/65/EU

2006/42/EC

2014/30/EU

and the following harmonized standards have been used.

EN 61029-1:2009 + A1:2010

EN 61029-2-9:2012 + A1:2013

EN 55014-1:2006+A1:2009+A2:2011

EN 55014-2: 1997+A1:2001+A2:2008

EN 50581:2012



Winnenden, 2016-12-02

Alexander Krug / Managing Director
Authorized to compile the technical file

Techtronic Industries GmbH
Max-Eyth-Straße 10, 71364 Winnenden, Germany

SYMBOLS



CAUTION! WARNING! DANGER!



Remove the battery pack before starting any work on the appliance.



Please read the instructions carefully before starting the machine.



Always wear goggles when using the machine.



Wear ear protectors!



Wear gloves!



Open Screw
Rotation direction



Always keep hands away from the path of the saw blade.



This tool is only suitable for indoor use. Never expose tool to rain.



Do not stare into beam.



This product corresponds to the laser class 1 in accordance with EN 60825-1:2014.



Ø30 mm
Ø254 mm
Saw blade dia. x hole dia



Rotation direction



Blade teeth



Width of cut



Do not dispose of electric tools together with household waste material. Electric tools and electronic equipment that have reached the end of their life must be collected separately and returned to an environmentally compatible recycling facility. Check with your local authority or retailer for recycling advice and collection point.



European Conformity Mark



UkrSEPRO Conformity Mark



EurAsian Conformity Mark

TECHNISCHE DATEN	BPS18-254BL
Kapp- und Gehrungssäge *	
Produktionsnummer	4601 74 01... ... 000001-999999
Spannung Wechselakku	18 V
Leerlaufdrehzahl	3900 min ⁻¹
Sägeblatt- \varnothing x Bohrungs- \varnothing	254 x 30 mm
Stammblattdicke	1,6 mm
Sägeblatt-Zahndicke	2,2 mm
Schnittleistung max.	
Gehrung 0° / Neigung 0°	90 mm x 305 mm
Gehrung 0° / Neigung 45° ↘	39 mm x 305 mm
Gehrung 0° / Neigung 45° ↘	43 mm x 305 mm
Gehrung ↘ 45° / Neigung 0°	90 mm x 215 mm
Gehrung ↘ 45° / Neigung 0°	50 mm x 215 mm
Gehrung 45° / Neigung 45° ↘	39 mm x 215 mm
Gehrung 45° / Neigung 45° ↘	43 mm x 215 mm
Min. Werkstückabmessungen	215 x 35 x 2,5 mm
Gewicht nach EPTA-Prozedur 01/2003 (Li-Ion 5.0 Ah)	16,3 kg
Geräuschinformation	
Messwerte ermittelt entsprechend EN 61029. Der A-bewertete Geräuschpegel des Gerätes beträgt typischerweise:	
Schalldruckpegel (Unsicherheit K=3dB(A))	89,0 dB (A)
Schallleistungspegel (Unsicherheit K=3dB(A))	98,5 dB (A)
Gehörschutz tragen!	
Vibrationsinformationen	
Schwingungsgesamtwerte (Vektorsumme dreier Richtungen) ermittelt entsprechend EN 61029.	
Sägen von Holz: Schwingungsemissionswert a_{hh}	1,1 m/s ²
Unsicherheit K=	1,5 m/s ²

* PS \triangleq Kapp- und Gehrungssäge

WARNUNG!

Der in diesen Anweisungen angegebene Schwingungspegel ist entsprechend einem in EN 61029 genormten Messverfahren gemessen worden und kann für den Vergleich von Elektrowerkzeugen miteinander verwendet werden. Er eignet sich auch für eine vorläufige Einschätzung der Schwingungsbelastung.

Der angegebene Schwingungspegel repräsentiert die hauptsächlichsten Anwendungen des Elektrowerkzeugs. Wenn allerdings das Elektrowerkzeug für andere Anwendungen, mit abweichenden Einsatzwerkzeugen oder ungenügender Wartung eingesetzt wird, kann der Schwingungspegel abweichen. Dies kann die Schwingungsbelastung über den gesamten Arbeitszeitraum deutlich erhöhen.

Für eine genaue Abschätzung der Schwingungsbelastung sollten auch die Zeiten berücksichtigt werden, in denen das Gerät abgeschaltet ist oder zwar läuft, aber nicht tatsächlich im Einsatz ist. Dies kann die Schwingungsbelastung über den gesamten Arbeitszeitraum deutlich reduzieren.

Legen Sie zusätzliche Sicherheitsmaßnahmen zum Schutz des Bedieners vor der Wirkung von Schwingungen fest wie zum Beispiel: Wartung von Elektrowerkzeug und Einsatzwerkzeugen, Warmhalten der Hände, Organisation der Arbeitsabläufe.

⚠️ WARNUNG Lesen Sie alle Sicherheitshinweise und Anweisungen. Versäumnisse bei der Einhaltung der Sicherheitshinweise und Anweisungen können elektrischen Schlag, Brand und/oder schwere Verletzungen verursachen.

Bewahren Sie alle Sicherheitshinweise und Anweisungen für die Zukunft auf.

ALLGEMEINE SICHERHEITSHINWEISE

⚠️ WARNUNG

Beim Gebrauch von Elektrowerkzeugen sind zum Schutz gegen elektrischen Schlag, Verletzungen- und Brandgefahr folgende grundsätzliche Sicherheitsmaßnahmen zu beachten. Lesen Sie alle diese Hinweise, bevor Sie dieses Elektrowerkzeug benutzen, und bewahren Sie die Sicherheitshinweise gut auf.

Halten Sie Ihren Arbeitsplatz in Ordnung. Unordentliche Arbeitsplätze und Werkbänke erhöhen die Gefahr von Unfällen und Verletzungen.

Berücksichtigen Sie die Umgebungseinflüsse. Setzen Sie das Gerät nicht dem Regen aus und benutzen Sie es nicht in nasser oder feuchter Umgebung. Sorgen Sie für eine gute Beleuchtung des Arbeitsplatzes. Benutzen Sie niemals Werkzeuge in Gegenwart oder in der Nähe von brennbaren Flüssigkeiten oder Gasen.

Schützen Sie sich vor elektrischem Schlag. Vermeiden Sie Körperkontakt mit geerdeten Teilen, wie Rohre, Heizkörper, Herde oder Kühlschränke.

Halten Sie andere Personen fern. Lassen Sie andere Personen, insbesondere Kinder, nicht das Werkzeug oder das Verlängerungskabel berühren und halten Sie sie von Ihrem Arbeitsplatz fern.

Bewahren Sie unbenutzte Werkzeuge sicher auf. Werkzeuge, die nicht gebraucht werden, müssen an einem trockenen, möglichst hoch gelegenen Platz, außerhalb der Reichweite von Kindern, aufbewahrt oder unzugänglich verwahrt werden.

Überlasten Sie das Gerät nicht. Verwenden Sie für Ihre Arbeit das dafür bestimmte Elektrowerkzeug. Mit dem passenden Elektrowerkzeug arbeiten Sie besser und sicherer im angegebenen Leistungsbereich.



Benutzen Sie das richtige Werkzeug. Führen Sie keine Arbeiten mit leistungsschwachen Werkzeugen aus, für die Sie nicht konstruiert sind und für die ein Hochleistungswerkzeug vorgesehen ist. Benutzen Sie das Elektrowerkzeug nicht für solche Zwecke, für die es nicht vorgesehen ist. Verwenden Sie zum Beispiel keine Handkreissägen zum Schneiden von Baumstäben oder Holzscheiten.

Tragen Sie geeignete Kleidung. Tragen Sie keine weiße Kleidung oder Schmuck. Halten Sie Haare, Kleidung und Handschuhe fern von sich bewegenden Teilen. Für Arbeiten im Außenbereich empfehlen wir rutschsichere Arbeitsschuhe. Tragen Sie bei langen Haaren ein Haarnetz.

Tragen Sie immer Ihre persönliche Schutzausrüstung. Tragen Sie immer eine Schutzbrille. Tragen Sie bei stauberzeugenden Arbeiten eine Atem- oder Staubschutzmaske.

Schließen immer eine Staubabsaugung an. Wenn Staubabsaugung und -auffangeinrichtungen montiert werden können, vergewissern Sie sich, dass diese angeschlossen sind und richtig verwendet werden.

Zweckentfremden Sie das Kabel nicht. Ziehen Sie den Netzstecker nicht am Netzkabel aus der Steckdose. Schützen Sie das Netzkabel vor Hitze, Öl und scharfen Kanten.

Sichern Sie das Werkstück. Benutzen Sie Spannvorrichtungen oder einen Schraubstock, um das Werkstück festzuhalten. Es ist damit sicherer gehalten als mit der Hand.

Lehnen Sie sich nicht zu weit hinaus und halten Sie jederzeit das Gleichgewicht.

Pflegen und warten Sie Ihre Werkzeuge mit Sorgfalt. Sorgen Sie dafür, dass die Schneidwerkzeuge immer scharf und sauber sind, damit Sie besser und sicherer im angegebenen Leistungsbereich arbeiten können. Befolgen Sie die Hinweise zur Schmierung und zum Werkzeugwechsel. Kontrollieren Sie regelmäßig die Anschlussleitung des Elektrowerkzeugs, und lassen Sie diese bei Beschädigung von einem anerkannten Fachmann erneuern. Kontrollieren Sie regelmäßig die Verlängerungsleitungen und ersetzen diese, wenn sie beschädigt sind. Halten Sie Handgriffe trocken, sauber und frei von Öl und Fett.

Trennen Sie die Werkzeuge von der Stromversorgung, wenn sie nicht in Gebrauch sind. Bei Nichtgebrauch des Werkzeugs, vor Wartungsarbeiten und beim Wechsel von Zubehör wie Sägeblatt, Bohrer und Fräser die Werkzeuge immer von der Stromversorgung trennen.

Entfernen Sie sämtliche Einstellschlüssel und Schraubenschlüssel. Machen Sie es sich zur Angewohnheit, vor jedem Einschalten des Gerätes zu überprüfen, ob alle Einstellschlüssel und Justierschraubenschlüssel aus dem Werkzeug entfernt wurden.

Vermeiden Sie eine unbeabsichtigte Inbetriebnahme. Vergewissern Sie sich, dass der Schalter auf „Off“ steht, wenn Sie das Akkupaket installieren.

Verwenden Sie nur für den Außenbereich zugelassene Verlängerungskabel, wenn Sie im Freien arbeiten. Wenn Sie mit einem Elektrowerkzeug im Freien arbeiten, verwenden Sie nur Verlängerungskabel, die auch für den Außenbereich zugelassen und dementsprechend gekennzeichnet sind.

Bleiben Sie stets aufmerksam. Achten Sie immer darauf, was Sie tun, gehen Sie mit Vernunft an die Arbeit und benutzen Sie das Werkzeug nicht, wenn Sie müde sind.

Prüfen Sie das Werkzeug vor dem Gebrauch sorgfältig auf Beschädigungen und Materialermüdung. Prüfen Sie

die beweglichen Teile auf Ausrichtung, Leichtgängigkeit und Gleichlauf; prüfen Sie alle Teile auf Bruchstellen, auf festen Sitz, richtige Montage und andere Schäden, die ihre Funktion beeinträchtigen könnten.

Benutzen Sie das Gerät nicht, wenn die Schutzvorrichtungen nicht angebracht sind oder nicht einwandfrei funktionieren.

Beschädigungen sofort von einer autorisierten Fachwerkstatt reparieren lassen. Benutzen Sie das Werkzeug nicht, wenn es sich nicht mit dem Schalter ein- und ausschalten lässt.

WARNUNG Der Gebrauch anderer als die in dieser Gebrauchsanleitung empfohlenen Zubehörteile und Einsatzwerkzeuge kann eine Verletzungsgefahr für Sie bedeuten.

Lassen Sie Ihr Elektrowerkzeug durch eine Elektrofachkraft reparieren. Dieses Elektrowerkzeug entspricht den einschlägigen Sicherheitsbestimmungen. Reparaturen dürfen nur von einer Elektrofachkraft ausgeführt werden, indem Originalersatzteile verwendet werden; anderenfalls können Unfälle für den Benutzer entstehen.

SICHERHEITSHINWEISE FÜR GEHRUNGSKAPPSÄGEN

Sichern Sie das Werkstück und klemmen Sie es immer mit der Werkstückspannvorrichtung fest.

Sicherstellen, dass die Maschine stets einen sicheren Stand hat (z.B. befestigen an der Werkbank)..

Tragen Sie Gehörschutz. Die Einwirkung von Lärm kann Hörverlust bewirken.

Beim Arbeiten mit der Maschine stets Schutzbrille tragen. Es wird empfohlen, Schutzhandschuhe zu tragen, sowie auch festes und rutschfestes Schuhwerk, damit Ihre Füße vor Werkstücken geschützt sind, die möglicherweise aus dem Schneidbereich herausgeschleudert werden, wenn Sie das Sägeblatt wechseln oder raue Werkstoffe handhaben.

Ziehen Sie immer den Netzstecker aus der Steckdose oder nehmen Sie das Akkupaket heraus, bevor Sie Einstell-, Wartungs- oder Reinigungsarbeiten an dem Gerät vornehmen.

Stellen Sie sicher, dass das Gerät ausgeschaltet ist, bevor Sie das Akkupaket installieren oder herausnehmen.

Bringen Sie Ihren Körper niemals auf eine Linie mit dem Sägeblatt, sondern immer seitlich zur Säge in Position.

Positionieren Sie sich immer seitlich des Sägeblattes.

Halten Sie Ihre Hände, Finger und Arme von dem sich drehenden Sägeblatt fern.

Greifen Sie niemals in den Gefahrenbereich des Sägeblattes, es sei denn, das Sägeblatt ist vollständig zum Stillstand gekommen.

Prüfen Sie das Werkzeug vor dem Gebrauch sorgfältig auf Beschädigungen und Materialermüdung. Beschädigte Teile nur von einem Fachmann reparieren lassen.

Schutzeinrichtung der Maschine unbedingt verwenden. Benutzen Sie das Gerät nicht, wenn die Schutzvorrichtungen nicht angebracht sind oder nicht einwandfrei funktionieren.

Die Pendelschutzhaube darf im geöffneten Zustand nicht festgeklemmt werden.

Wenn das Werkstück eingeklemmt wird oder das Blatt blockiert, schalten Sie die Gehrungskappsäge aus. Warten Sie, bis alle beweglichen Teile zum Stillstand gekommen sind, ziehen Sie den Netzstecker und/oder nehmen Sie den Akku heraus. Entfernen Sie anschließend das eingeklemmte Material.

Verändern oder modifizieren Sie niemals die Säge oder ihre Funktion. Ihre Sicherheit kann dadurch beeinträchtigt werden.

Verwenden Sie keine rissigen, beschädigten oder verformten Sägeblätter.

Keine aus Schnellarbeitsstahl gefertigten Sägeblätter verwenden.

Verwenden Sie nur geschärfte Sägeblätter. Tauschen Sie stumpfe Sägeblätter sofort aus.

Verwenden Sie beim Hantieren mit Sägeblättern immer einen Sägeblatthalter oder tragen Sie Schutzhandschuhe.

Verwenden Sie immer Sägeblätter in der richtigen Größe und mit passender Aufnahmebohrung.

Sägeblätter, die nicht zu den Montageteilen der Säge passen, laufen unrund und führen zum Verlust der Kontrolle.

Verwenden Sie nur für die Holzbearbeitung vorgesehene Sägeblätter, die den Kenndaten in dieser Gebrauchsanleitung und der Norm EN 847-1 entsprechen.

Verwenden Sie zum Sichern des Sägeblattes nur die mitgelieferten oder die in dieser Gebrauchsanleitung angegebenen Flansche, Unterlegscheiben und Muttern.

Die auf dem Sägeblatt angegebene Höchstdrehzahl ist einzuhalten. Ein für den zu schneidenden Werkstoff geeignetes Sägeblatt auswählen.

Verwenden Sie die Gehrungssäge niemals zum Schneiden anderer als die im Abschnitt „Bestimmungsgemäße Verwendung“ angegebenen Werkstoffe.

Tauschen Sie die Tischeinlage aus, wenn sie abgenutzt oder beschädigt ist.

Bevor Sie mit dem Arbeiten beginnen, führen Sie einen Probearbeitungsschnitt ohne eingeschalteten Motor durch, sodass die Position des Sägeblattes, die Funktion der Schutzvorrichtungen in Bezug auf andere Geräteteile und das Werkstück überprüft werden können.

Keine Sägereste oder andere Teile von Werkstücken aus dem Sägebereich entfernen wenn die Maschine läuft und der Sägekopf nicht in der Ruhestellung ist.

Verwenden Sie beim Transport des Geräts nur Transportvorrichtungen; verwenden Sie niemals Schutzvorrichtungen für die Handhabung oder den Transport.

Die Kappsäge nur mit eingerasteter Transportsicherung am Handgriff transportieren.

Den Boden von Materialresten z.B. Späne und Sägereste freihalten. Lange Werkstücke sind geeignet abzustützen.

Werkstücke mit rundem oder unregelmäßigem Querschnitt (z.B. Brennholz) dürfen nicht gesägt werden, da diese beim Sägen nicht sicher gehalten werden. Beim Hochkant sägen von flachen Werkstücken muss ein geeigneter Hilfsanschlag zur sicheren Führung verwendet werden.

Beim Arbeiten entstehender Staub ist oft gesundheitsschädlich und sollte nicht in den Körper gelangen. Staubabsaugung verwenden und zusätzlich geeignete Staubschutzmaske tragen. Abgelagerten Staub gründlich entfernen, z.B. Aufsaugen.

Schließen Sie die Säge an einen Staubabsauger an, beim Sägen von Holz.

Ersetzen Sie nicht die LED oder den Laser durch einen anderen Typ. Alle Reparaturen dürfen nur vom Hersteller oder einer autorisierten Fachwerkstatt durchgeführt werden.

Sägeblätter, die nicht den Kenndaten in dieser Gebrauchsanleitung entsprechen, dürfen nicht verwendet werden.

Die Werkzeuge müssen in einem geeigneten Behältnis transportiert und aufbewahrt werden.

Fehler in der Maschine, einschließlich der Schutzvorrichtung oder der Sägeblätter, sind, so bald sie entdeckt werden, der für die Sicherheit verantwortlichen Person zu melden.

Stellen Sie bei der Ausführung von Gehrungs-, Neigungs- oder Doppelgehrungsschnitten den Gleitanschlag so ein, daß das richtige Spiel für die Aufgabe sichergestellt wird.

Vermeiden Sie durch eine angepasste Vorschubgeschwindigkeit die Überhitzung der Sägeblattzähne, und beim Schneiden von Kunststoffen das Schmelzen des Materials.

WARNUNG Tauschen Sie die LED nicht gegen eine andere aus.

HOLZSÄGEBLATT SICHERHEITSHINWEISE

Bitte lesen Sie die Gebrauchsanleitung sorgfältig durch, bevor Sie das Sägeblatt und das Gerät benutzen.

Das Gerät muss in einem guten Zustand sein, und die Spindel darf keine Verformungen und Schwingungen aufweisen.

Benutzen Sie die Säge nicht ohne angebrachte Schutzvorrichtungen, halten Sie die Schutzvorrichtungen in einem funktionsfähigen Zustand und sorgen Sie dafür, dass sie ordnungsgemäß gewartet sind.

Vergewissern Sie sich, dass der Bediener hinreichend mit den Sicherheitsvorkehrungen, den Einstellungen und dem Betrieb des Gerätes vertraut ist.

Tragen Sie immer Ihre Schutzbrille und Ihren Gehörschutz, wenn Sie das Gerät benutzen. Es wird empfohlen, Schutzhandschuhe, festes und rutschfestes Schuhwerk und Schürze zu tragen.

Bevor Sie irgendwelche Zubehörteile verwenden, lesen Sie bitte erst die Gebrauchsanleitung durch. Die unsachgemäße Verwendung eines Zubehörs kann Schäden verursachen und die Verletzungsgefahr erhöhen.

Verwenden Sie nur Sägeblätter, die den Kenndaten in dieser Gebrauchsanleitung und der Norm EN 847-1 entsprechen.

Beachten Sie die auf dem Sägeblatt angegebene maximal zulässige Drehzahl. Stellen Sie sicher, dass die auf dem Sägeblatt angegebene Drehzahl mindestens gleich der Drehzahl der Säge ist.

Verwenden Sie immer Sägeblätter in der richtigen Größe und mit passender Aufnahmebohrung.

Sägeblätter, die nicht zu den Montageteilen der Säge passen, laufen unrund und führen zum Verlust der Kontrolle.

Verwenden Sie keine Sägeblätter mit einem größeren oder kleineren Durchmesser als den empfohlenen. Verwenden Sie keine Distanzstücke, um das Sägeblatt auf der Spindel zu befestigen.

Prüfen Sie die Spitzen des Sägeblattes vor jedem Gebrauch auf Beschädigungen oder anomales Aussehen. Spitzen, die beschädigt oder lose sind, können während des Gebrauchs zu fliegenden Objekten werden und somit die Wahrscheinlichkeit von Verletzungen erhöhen.

Rissige Sägeblätter oder solche, die ihre Form verändert haben, dürfen nicht verwendet werden! Keine Sägeblätter benutzen die beschädigt oder verformt sind.

Verschrotten Sie das Sägeblatt, wenn es beschädigt, verformt, verzogen oder rissig ist; es darf auf keinen Fall repariert werden.

Keine aus Schnellarbeitsstahl gefertigten Sägeblätter verwenden.

Vergewissern Sie sich, dass das Sägeblatt richtig montiert ist, und ziehen Sie die Dornmutter vor dem Gebrauch fest (Anzugsmoment etwa 12 Nm).

Ziehen Sie die Befestigungsschraube und die Muttern mit dem passenden Schraubenschlüssel fest usw.

Sie dürfen auf keinen Fall mit einem Schraubenschlüssel mit Verlängerung oder mit Hammerschlägen festgezogen werden.



Vergewissern Sie sich, dass das Sägeblatt und die Flansche sauber sind und die ausgesparten Seiten des Sägebundes gegen das Sägeblatt drücken.

Vergewissern Sie sich, dass sich das Sägeblatt in die richtige Richtung dreht.

Bevor Sie mit dem Arbeiten beginnen, führen Sie einen Probesschnitt ohne eingeschalteten Motor durch, sodass die Position des Sägeblattes, die Funktion der Schutzvorrichtungen in Bezug auf andere Geräteteile und das Werkstück überprüft werden können.

Lassen Sie das Gerät nie unbeaufsichtigt.

Tragen Sie keine Schmiermittel auf das Sägeblatt auf, wenn es in Betrieb ist.

Führen Sie niemals Reinigungs- oder Wartungsarbeiten durch, wenn das Gerät noch in Betrieb ist und sich der Sägekopf noch nicht in der Ruhestellung befindet.

Versuchen Sie niemals, ein sich schnell bewegendes Gerät anzuhalten, indem Sie das Sägeblatt mit einem Werkzeug oder anderen Hilfsmitteln blockieren; dadurch können unbeabsichtigt schwere Unfälle verursacht werden.

Trennen Sie die Säge von der Stromversorgung oder nehmen Sie das Akkupaket heraus, bevor Sie das Sägeblatt wechseln oder Wartungsarbeiten durchführen.

Seien Sie beim Aus- oder Verpacken des Sägeblattes sehr vorsichtig, da man sich sehr leicht an den scharfen Spitzen des Sägeblattes verletzen kann.

Verwenden Sie beim Hantieren mit Sägeblättern immer einen Sägeblatthalter oder tragen Sie Schutzhandschuhe.

Bewahren Sie das Sägeblatt in der Originalverpackung oder in einer anderen geeigneten Verpackung auf, lagern Sie es an einem trockenen Ort und halten Sie es von Chemikalien fern, die das Sägeblatt beschädigen könnten.

SICHERHEITSHINWEISE LASER

Die in dieser Säge durch einen Laser erzeugte Laserstrahlung ist Klasse 1 mit maximal <1 mW und 650 nm Wellenlängen. Richten Sie Ihren Blick nie direkt oder indirekt mithilfe von optischen Instrumenten in den Laserstrahl. Die Nichtbefolgung dieser Regeln kann zu schweren Verletzungen führen.

Starren Sie bei der Benutzung des Lasers nie in den Strahl.

Richten Sie den Laserstrahl nie direkt auf die Augen anderer Personen. Dies könnte zu schweren Augenverletzungen führen.

Richten Sie den Laser und seinen Strahlverlauf so aus, dass es zu keiner Gefährdung anderer Personen durch eine zufällige Exposition gegenüber Laserstrahlung kommen kann; so vermeiden Sie, dass andere Personen entweder absichtlich oder unabsichtlich in den Laserstrahl starren.

Verwenden Sie keine optischen Instrumente, um in den Laserstrahl zu blicken.

Betreiben Sie den Laser nicht in Gegenwart von Kindern und erlauben Sie ihnen auf keinen Fall, den Laser zu benutzen.

Versuchen Sie nicht, das Lasergerät selbst zu reparieren.

Versuchen Sie nicht, Teile des Lasergeräts selbst zu wechseln.

Alle Reparaturen dürfen nur vom Hersteller oder einer autorisierten Fachwerkstatt durchgeführt werden.

WARNUNG Tauschen Sie den eingebauten Laser nicht gegen einen anderen aus.

Den Laser nicht auf reflektierende Flächen richten.

Setzen Sie keine Personen der Laserstrahlung aus. Der Laser kann gefährliche Strahlung aussenden.

BESTIMMUNGSGEMÄSSE VERWENDUNG

Die Kapp- und Gehrungssäge mit Zugfunktion ist zum Sägen von Massivhölzern und Verbundhölzern mit oder ohne verleimte Furniere, Kunststoffen und holzähnlichen Werkstoffen bestimmt.

Die Kapp- und Gehrungssäge mit Zugfunktion darf nur von Erwachsenen benutzt werden, die die Gebrauchsanleitung gelesen und verstanden haben und sich der Risiken und Gefahren bewusst sind.

Die Kapp- und Gehrungssäge mit Zugfunktion ist so konstruiert, dass sie mit ihrem Unterteil auf einer stabilen Werkbank befestigt werden kann. Wenn das Unterteil nicht sicher befestigt ist, könnte sich das Gerät während des Schneidvorgangs bewegen, wodurch die Gefahr von schweren Verletzungen erhöht wird.

Die Kapp- und Gehrungssäge mit Zugfunktion ist zum Ausführen von Schräg- und Gehrungsschnitten vorgesehen. Die Schnittkapazitäten für die verschiedenen Schnitte sind im Abschnitt „Produktspezifikationen“ angegeben.

Die Kapp- und Gehrungssäge mit Zugfunktion ist in trockener Umgebung mit sehr guter Beleuchtung und ausreichender Belüftung zu benutzen.

Die Kapp- und Gehrungssäge mit Zugfunktion ist für die Verwendung durch private Verbraucher bestimmt und sollte nur wie oben beschrieben verwendet werden; sie ist nicht für andere Zwecke bestimmt.

RESTGEFAHREN

Selbst wenn die Kapp- und Gehrungssäge mit Zugfunktion wie vorgeschrieben verwendet wird, können nicht alle Risiken vollständig ausgeschaltet werden und gewisse Restrisiken bleiben bestehen. Es können die nachfolgend beschriebenen Gefahren auftreten und der Bediener sollte sich dieser Gefahren bewusst sein, um sie vermeiden zu können:

- Es besteht die Gefahr, mit nicht abgedeckten Teilen des rotierenden Sägeblattes in Berührung zu kommen.
- Es besteht die Gefahr eines Rückschlages von Werkstücken oder Teilen der Werkstücke aufgrund unsachgemäßer Einstellung oder Handhabung.
- Es können fehlerhafte Hartmetallsitzen aus dem Sägeblatt herausgeschleudert werden. Tragen Sie immer einen Augenschutz.
- Es besteht die Gefahr der Schädigung der Atmungsorgane. Tragen Sie eine Atemschutzmaske mit einem für die zu bearbeitenden Werkstoffe entsprechenden Filter. Sorgen Sie für eine ausreichende Belüftung des Arbeitsplatzes. Essen, trinken oder rauchen Sie nicht im gesamten Arbeitsbereich.
- Es besteht die Gefahr von Gehörschäden, wenn kein entsprechender Gehörschutz getragen wird.

WARNUNG Der von bestimmten Farben, Beschichtungen und Werkstoffen freigesetzte Staub kann Reizungen oder allergische Reaktionen hervorrufen. Der von Hölzern wie Eiche, Buche, MDF und anderen Holzarten freigesetzte Staub ist krebserregend. Asbesthaltige Werkstoffe dürfen nur von qualifiziertem Fachpersonal be- oder verarbeitet werden.

WARNUNG Verletzungen können durch einen längeren Gebrauch des Werkzeugs verursacht oder verschlimmert werden. Wenn Sie Werkzeuge über eine längere Zeit benutzen, sollten Sie darauf achten, regelmäßig Pausen einlegen.

AKKUS

Längere Zeit nicht benutzte Wechselakkus vor Gebrauch nachladen. Eine Temperatur über 50°C vermindert die Leistung des Wechselakkus. Längere Erwärmung durch Sonne oder Heizung vermeiden. Die Anschlusskontakte an Ladegerät und Wechselakku sauber halten.

Für eine optimale Lebensdauer müssen nach dem Gebrauch die Akkus voll geladen werden.

Für eine möglichst lange Lebensdauer sollten die Akkus nach dem Aufladen aus dem Ladegerät entfernt werden.

Bei Lagerung des Akkus länger als 30 Tage: Akku bei ca. 27°C und trocken lagern. Akku bei ca. 30%-50% des Ladezustandes lagern. Akku alle 6 Monate erneut aufladen.

Unter extremer Belastung oder extremer Temperatur kann aus beschädigten Wechselakkus Batterieflüssigkeit auslaufen. Bei Berührung mit Batterieflüssigkeit sofort mit Wasser und Seife abwaschen. Bei Augenkontakt sofort mindestens 10 Minuten gründlich spülen und unverzüglich einen Arzt aufsuchen.

Wechselakkus nicht zusammen mit Metallgegenständen aufbewahren (Kurzschlussgefahr).

Verbrauchte Wechselakkus nicht ins Feuer oder in den Hausmüll werfen. AEG bietet eine umweltgerechte Alt-Wechselakku-Entsorgung an; bitte fragen Sie Ihren Fachhändler.

AKKU UND LADEGERÄT

Kompatibles Akkupaket (nicht im Lieferumfang enthalten): System GBS

Kompatibles Ladegerät (nicht im Lieferumfang enthalten): System GBS

Wechselakkus des Systems GBS nur mit Ladegeräten des Systems GBS laden. Keine Akkus aus anderen Systemen laden.

TRANSPORT VON LITHIUM-IONEN-AKKUS

Lithium-Ionen-Akkus fallen unter die gesetzlichen Bestimmungen zum Gefahrguttransport.

Der Transport dieser Akkus muss unter Einhaltung der lokalen, nationalen und internationalen Vorschriften und Bestimmungen erfolgen.

Verbraucher dürfen diese Akkus ohne Weiteres auf der Straße transportieren.

Der kommerzielle Transport von Lithium-Ionen-Akkus durch Speditionsunternehmen unterliegt den Bestimmungen des Gefahrguttransports. Die Versandvorbereitungen und der Transport dürfen ausschließlich von entsprechend geschulten Personen durchgeführt werden. Der gesamte Prozess muss fachmännisch begleitet werden.

Folgende Punkte sind beim Transport von Akkus zu beachten:

Stellen Sie sicher, dass die Kontakte geschützt und isoliert sind, um Kurzschlüsse zu vermeiden. Achten Sie darauf, dass der Akkupack innerhalb der Verpackung nicht verrutschen kann. Beschädigte oder auslaufende Akkus dürfen nicht transportiert werden. Wenn Sie sich für weitere Hinweise an Ihr Speditionsunternehmen.

AKKUÜBERLASTSCHUTZ

Bei Überlastung des Akkus durch sehr hohen Stromverbrauch, z.B. extrem hohe Drehmomente, plötzlichem Stopp oder Kurzschluss, vibriert das Elektrowerkzeug 5 Sekunden lang, die Ladeanzeige blinkt und das Elektrowerkzeug schaltet sich selbsttätig ab. Zum Wiedereinschalten, den Schalterdrücker loslassen und dann wieder einschalten.

Unter extremen Belastungen erhitzt sich der Akku zu stark. In diesem Fall blinken alle Lampen der Ladeanzeige bis der Akku abgekühlt ist. Nach Erlöschen der Ladeanzeige kann weitergearbeitet werden.

Den Akku dann in das Ladegerät stecken um ihn wieder aufzuladen und zu aktivieren.

WARTUNG

Verändern oder modifizieren Sie die Säge nicht und verwenden Sie kein Zubehör, das nicht vom Hersteller zugelassen ist. Ihre Sicherheit und die von Dritten kann gefährdet sein.

Benutzen Sie die Säge nicht, wenn die Schalter, die Schutzvorrichtungen oder andere Funktionen der Säge nicht wie vorgesehen funktionieren. Lassen Sie die Säge in einer autorisierten Fachwerkstatt überprüfen, notfalls auch reparieren oder einstellen.

Nehmen Sie keine Einstellungen vor, während sich das Sägeblatt bewegt.

Nehmen Sie das Akkupaket heraus, bevor Sie Einstell-, Schmier- oder Wartungsarbeiten an dem Gerät vornehmen.

Überprüfen Sie die Säge vor und nach jedem Gebrauch auf Beschädigungen und gebrochene Teile und halten Sie sie immer in einem optimalen Betriebszustand, indem Sie die Teile unverzüglich durch vom Hersteller zugelassene Ersatzteile ersetzen.

Das Sägeblatt ist nach Gebrauch sehr heiß, tragen Sie daher entweder Schutzhandschuhe oder lassen Sie es vor Wartungs- und Reinigungsarbeiten abkühlen.

Säubern Sie den angesammelten Staub mit einer Bürste oder einem Staubsauger. Verwenden Sie keine Druckluft.

Um die Sicherheit und Zuverlässigkeit zu gewährleisten, sollten alle Reparaturen, einschließlich des Austauschs der Bürsten, von einer autorisierten Fachwerkstatt durchgeführt werden.

Stellen Sie sicher, dass das Werkzeug von der Stromversorgung getrennt ist, bevor Sie das Sägeblatt anbringen oder abnehmen. Reinigen Sie Gerät und Schutzeinrichtung mit einem trockenen Tuch.

Stets die Lüftungsschlitze der Maschine sauber halten.

ERSATZTEILE

Nur AEG Zubehör und Ersatzteile verwenden. Bauteile, deren Austausch nicht beschrieben wurde, bei einer AEG Kundendienststelle auswechseln lassen (Broschüre Garantie/Kundendienstadressen beachten).

Bei Bedarf kann eine Explosionszeichnung des Gerätes unter Angabe der Maschinen Type und der sechsstelligen Nummer auf dem Leistungsschild bei Ihrer Kundendienststelle oder direkt bei Techtronic Industries GmbH, Max-Eyth-Straße 10, 71364 Winnenden, Germany angefordert werden.



D

CE-KONFORMITÄTSERKLÄRUNG

Wir erklären in alleiniger Verantwortung, dass das unter „Technische Daten“ beschriebene Produkt mit allen relevanten Vorschriften der Richtlinien

2011/65/EU

2006/42/EG

2014/30/EU

und den folgenden harmonisierten normativen Dokumenten übereinstimmt

EN 61029-1:2009 + A11:2010

EN 61029-2-9:2012 + A11:2013

EN 55014-1:2006+A1:2009+A2:2011

EN 55014-2: 1997+A1:2001+A2:2008

EN 50581:2012



Winnenden, 2016-12-02

Alexander Krug / Managing Director
Bevollmächtigt die technischen Unterlagen zusammenzustellen.

Techtronic Industries GmbH

Max-Eyth-Straße 10, 71364 Winnenden, Germany



SYMBOLE



ACHTUNG! WARNUNG! GEFAHR!



Vor allen Arbeiten am Gerät den Wechselakku herausnehmen.



Bitte lesen Sie die Gebrauchsanweisung vor Inbetriebnahme sorgfältig durch.



Beim Arbeiten mit der Maschine stets Schutzbrille tragen.



Gehörschutz tragen!



Schutzhandschuhe tragen!



Schraube öffnen / Drehrichtung



Niemals die Hände in den Bereich des Sägeblattes bringen.



Gerät ist nur zur Verwendung in Räumen geeignet, Gerät nicht dem Regen aussetzen.



Nicht in den Laserstrahl sehen



This product corresponds to the laser class 1 in accordance with EN 60825-1:2014.



Ø30 mm
Ø254 mm
Sägeblatt-Ø x Bohrungs-Ø



Drehrichtung



Sägeblattzähne



Schnittbreite



Elektrogeräte dürfen nicht zusammen mit dem Hausmüll entsorgt werden. Elektrische und elektronische Geräte sind getrennt zu sammeln und zur umweltgerechten Entsorgung bei einem Verwertungsbetrieb abzugeben. Erkundigen Sie sich bei den örtlichen Behörden oder bei Ihrem Fachhändler nach Recyclinghöfen und Sammelstellen.



CE-Konformitätszeichen



UkrSEPRO Konformitätszeichen



EurAsian Konformitätszeichen

CARACTÉRISTIQUES TECHNIQUES	BPS18-254BL
Scie Radiale *	
Numéro de série	4601 74 01... ... 000001-999999
Tension accu interchangeable	18 V
Vitesse de rotation à vide	3900 min ⁻¹
Ø de la lame de scie et de son alésage	254 × 30 mm
Épaisseur de corps de la lame de scie	1,6 mm
Épaisseur de dent de la lame de scie	2,2 mm
Capacité de coupe max. Onglet 0°/ Inclinasion 0° Onglet 0°/ Inclinasion 45° Onglet 0°/ Inclinasion 45° Onglet 45°/ Inclinasion 0° Onglet 45°/ Inclinasion 0° Onglet 45°/ Inclinasion 45° Onglet 45°/ Inclinasion 45°	90 mm × 305 mm 39 mm × 305 mm 43 mm × 305 mm 90 mm × 215 mm 50 mm × 215 mm 39 mm × 215 mm 43 mm × 215 mm
Les dimensions min. de la pièce dépendent	215 × 35 × 2,5 mm
Poids suivant EPTA-Procédure 01/2003 (Li-Ion 5.0 Ah)	16,3 kg
Informations sur le bruit Valeurs de mesure obtenues conformément à la EN 61029. Les mesures réelles (des niveaux acoustiques de l'appareil sont : Niveau de pression acoustique (Incertitude K=3dB(A)) Niveau d'intensité acoustique (Incertitude K=3dB(A))	89,0 dB (A) 98,5 dB (A)
Toujours porter une protection acoustique!	
Informations sur les vibrations Valeurs totales des vibrations (somme vectorielle de trois sens) établies conformément à EN 61029. Sciage du bois: Valeur d'émission vibratoire a _h Incertitude K=	1,1 m/s ² 1,5 m/s ²

* PS ≙ Scie Radiale

AVERTISSEMENT!

Le niveau vibratoire indiqué dans ces instructions a été mesuré selon un procédé de mesure normalisé dans la norme EN 61029 et peut être utilisé pour comparer des outils électriques entre eux. Il convient aussi à une estimation provisoire de la sollicitation par les vibrations.

Le niveau vibratoire indiqué représente les applications principales de l'outil électrique. Toutefois, si l'outil électrique est utilisé pour d'autres applications, avec des outils rapportés qui diffèrent ou une maintenance insuffisante, il se peut que le niveau vibratoire diverge. Cela peut augmenter nettement la sollicitation par les vibrations sur tout l'intervalle de temps du travail.

Pour une estimation précise de la sollicitation par les vibrations, on devrait également tenir compte des temps pendant lesquels l'appareil n'est pas en marche ou tourne sans être réellement en service. Cela peut réduire nettement la sollicitation par les vibrations sur tout l'intervalle de temps du travail.

Définissez des mesures de sécurité supplémentaires pour protéger l'utilisateur contre l'influence des vibrations, comme par exemple : la maintenance de l'outil électrique et des outils rapportés, le maintien au chaud des mains, l'organisation des déroulements de travail.

AVERTISSEMENT Lisez toutes les consignes de sécurité et les instructions. Le non-respect des avertissements et instructions indiqués ci après peut entraîner un choc électrique, un incendie et/ou de graves blessures sur les personnes.

Bien garder tous les avertissements et instructions.

CONSIGNES DE SÉCURITÉ GÉNÉRALES

AVERTISSEMENT

Pendant l'utilisation d'outils électriques, il faut respecter les consignes de sécurité de base indiquées ci-dessous pour prévenir tout risque de fulguration électrique, lésion et incendie. Lire entièrement les présentes indications avant l'emploi de cet outil électrique et garder d'une façon sûre les présentes consignes de sécurité.

Gardez la zone de travail dégagée. Des postes et d'établis de travail désordonnés augmentent le danger d'accidents et de lésions.

Prenez en compte l'environnement de travail. N'exposez pas l'appareil à la pluie et ne l'utilisez pas dans un environnement mouillé ou humide. Gardez la zone de travail bien éclairée. N'utilisez pas d'outils en présence de liquides ou de gaz inflammables.

Se protéger des chocs électriques. Éviter tout contact du corps avec des composants reliés à la terre, tels que des tubes, des radiateurs, des cuisinières ou des réfrigérateurs.

Gardez les autres personnes à distance. Ne laissez pas les personnes non impliquées dans le travail (en particulier les enfants) toucher l'outil ou la rallonge, et tenez-les à distance de la zone de travail.

Rangez tous les outils non utilisés. Les outils non utilisés doivent être conservés dans un endroit sec, possiblement en haut, hors de la portée des enfants ou dans un endroit non accessible.

Ne surchargez pas la machine. Utilisez pour le travail donné un appareil électrique adéquat. Un appareil électrique adéquat permet de travailler mieux et plus en sécurité dans la gamme de puissances indiquée.



Utilisez le bon outil. Ne forcez pas les petits outils à faire le travail d'un outil robuste. Ne pas utiliser l'outil électrique pour des buts auxquels il n'est pas destiné. Par exemple ne pas utiliser les scies circulaires pour couper des branches d'arbre ou des bûches.

Portez une tenue adéquate. Ne portez pas de vêtements larges et bijoux. Éloignez les cheveux, vêtements et gants à une distance de sécurité des parties mobiles. Pour des travaux en plein air on conseille l'emploi de chaussures de travail antidérapantes. En cas de cheveux longs, porter un filet à cheveux.

Utilisez un équipement de protection. Utilisez des lunettes de sécurité. Utilisez un masque facial ou anti-poussière si le travail effectué génère de la poussière.

Toujours raccorder un dispositif d'aspiration des poussières. Lorsqu'il est possible de monter sur l'appareil des aspirateurs et capteurs de poussières, vérifiez s'il sont bien raccordés et correctement utilisés.

N'utilisez pas le câble en contradiction avec la désignation. Ne tirez jamais sur le cordon pour le débrancher de la prise. Maintenez le cordon loin de la chaleur, de l'huile et des arêtes vives.

Fixer en sécurité la pièce à travailler. Utiliser des dispositifs de blocage ou un étai à vis pour bloquer la pièce à travailler. De cette façon la pièce sera serrée d'une manière bien plus sûre qu'à la main.

Ne pas se pencher trop et garder toujours l'équilibre.

Entretenez les outils avec soin. Gardez les outils de coupe aiguisés et propres pour de meilleures performances et davantage de sécurité. Respecter les consignes de graissage et de remplacement des outils. Contrôler régulièrement la ligne de connexion de l'outil électrique et en cas d'endommagement charger un électricien spécialisé de son remplacement. Contrôler régulièrement les lignes de prolongement et les remplacer en cas d'endommagement. Conserver les poignées sèches, nettoyées et libre d'huile et de graisse.

Débranchez les outils. Lorsqu'ils ne sont pas utilisés, avant de procéder à l'entretien et lors du changement des accessoires tels que lames, embouts et couteaux, débranchez les outils de l'alimentation électrique.

Retirez les clés de réglage et de serrage. Prenez l'habitude de vérifier que les clés de réglage et de serrage sont retirées de l'outil avant de l'allumer.

Évitez la mise en marche accidentelle. Assurez-vous que l'interrupteur est sur « OFF » lorsque vous installez la batterie.

Utilisez des rallonges d'extérieur. En vue de l'emploi en plein air de l'outil électrique, Utilisez uniquement des prolongateurs homologués pour l'usage à l'extérieur et marqués par conséquent.

Restez vigilant(e). Regardez ce que vous faites, utilisez votre bon sens et n'utilisez pas l'outil lorsque vous êtes fatigué(e).

Avant l'utilisation, vérifiez soigneusement que l'outil ne présente aucun dommage ou signe d'usure du matériau.

Vérifiez l'alignement des pièces mobiles, la fixation des pièces mobiles, l'absence de pièces brisées, le montage et toute autre condition susceptibles d'affecter son fonctionnement.

N'utilisez pas la machine si les protecteurs ne sont pas en place ou ne fonctionnent correctement.

Faire immédiatement réparer d'éventuels dommages chez une usine autorisée. N'utilisez pas l'outil si l'interrupteur ne permet pas de l'allumer et de l'éteindre.

AVERTISSEMENT L'utilisation de tout accessoire ou de toute pièce autre que ceux recommandés dans le présent manuel d'instructions peut présenter un risque de blessure.

L'outil électrique doit être réparé par un électricien spécialisé. Cet outil électrique est conforme aux consignes de sécurité en vigueur. Les réparations doivent être effectuées uniquement par un électricien spécialisé et en employant des pièces détachées d'origine en vue d'éviter tout risque d'accident pour l'opérateur.

⚠️ CONSIGNES DE SÉCURITÉ POUR LES SCIES À ONGLET

Maintenez toujours la pièce à usiner avec un serre-joint, solidement et en toute sécurité.

S'assurer que la machine présente toujours une bonne stabilité (par ex. par une fixation sur l'établi).

Portez une protection acoustique. L'exposition au bruit pourrait provoquer une diminution de l'ouïe.

Toujours porter des lunettes de protection pendant le travail avec la machine. Il est recommandé de porter des gants pour manipuler les lames et les matériaux rugueux, ainsi que des chaussures antidérapantes robustes qui protègent en outre les pieds des pièces à usiner pouvant tomber de la zone de coupe.

Retirez toujours la fiche ou la batterie avant d'effectuer tout réglage, entretien ou nettoyage sur la machine.

Assurez-vous que la machine est éteinte avant d'installer ou de retirer la batterie.

Ne vous tenez pas dans l'alignement de la lame de scie devant la machine.

Restez toujours de côté par rapport à la lame de scie.

Gardez les mains, les doigts et les bras éloignés de la lame de scie en rotation.

Ne pénétrez jamais dans la zone près de la lame, à moins que la lame ne soit complètement arrêtée.

Avant l'utilisation, vérifiez soigneusement que l'outil ne présente aucun dommage ou signe d'usure du matériau. Les pièces endommagées devront être réparées uniquement par un technicien spécialisé.

Il est absolument impératif d'utiliser le dispositif protecteur de la machine. N'utilisez pas la machine si les protecteurs ne sont pas en place ou ne fonctionnent correctement.

Ne pas bloquer le carter de protection.

Si la pièce à usiner ou la lame se coincent, mettez la scie à onglets sur « OFF ». Attendez l'arrêt de toutes les pièces mobiles et débranchez la fiche de la source d'alimentation et/ou retirez la batterie. Retirez ensuite le matériel coincé.

Ne modifiez jamais la scie ni son fonctionnement. Ceci pourrait compromettre votre sécurité.

N'utilisez pas de lames de scie fissurées, endommagées ou déformées.

Ne pas utiliser de lame de scie fabriquées en acier à coupe rapide.

N'utilisez que des lames de scie tranchantes. Remplacez les lames émoussées par des lames neuves.

Utilisez un porte-lame ou portez des gants lorsque vous manipulez une lame de scie.

Toujours utiliser des lames de scie de la bonne taille qui ont une forme appropriée à l'alésage de fixation.

Les lames de scie qui ne conviennent pas aux parties montées de la scie sont comme voilées et entraînent une perte de contrôle.

N'utilisez exclusivement que les lames pour le travail du bois spécifiées dans ce manuel, conformes à la norme EN 847-1.



N'utilisez pas de brides, rondelles et écrous pour fixer la lame de scie autres que ceux fournis ou indiqués dans le manuel d'instructions.

La vitesse de rotation maximale indiquée sur la lame de scie doit être respectée.

Choisir une lame de scie qui convient au matériau à couper.

N'utilisez jamais la scie à onglet pour couper des matériaux autres que ceux spécifiés dans la section « Utilisation prévue » du présent manuel.

Remplacez l'insert de table lorsqu'il est usé ou endommagé.

Avant le travail, faites une coupe factice sans que le moteur soit allumé afin de vérifier la position de la lame, le fonctionnement des protecteurs par rapport aux autres pièces de la machine et la pièce à usiner.

Ne pas enlever des restes de sciage ou d'autres parties de pièces à œuvrer de la zone de sciage lorsque la machine tourne et que la tête de sciage n'est pas dans la position de repos.

Lors du transport de la machine, n'utilisez que des dispositifs de transport et n'utilisez jamais les protecteurs pour la manipulation ou le transport.

Transporter la scie d'éboutage uniquement si le dispositif de sécurité pour le transport est enclenché sur la poignée.

Veiller à ce que le fond reste exempt des restes de matériaux, par ex. des copeaux et des débris de sciage.

Les longues pièces à œuvrer doivent être soutenues de manière appropriée.

Il est interdit de scier des pièces à œuvrer dont la section transversale est ronde ou irrégulière (par ex. le bois de chauffe) car elles ne sont pas maintenues sûrement pendant le sciage. Il convient d'utiliser une butée auxiliaire appropriée pour assurer le guidage lors du sciage sur chant des pièces à œuvrer plates.

Les poussières dégagées lors du travail sont souvent nocives et ne devraient pas pénétrer dans le corps. Utiliser un dispositif d'aspiration de poussières et porter en plus un masque de protection approprié. Éliminer soigneusement les dépôts de poussières, p. ex. en les aspirant au moyen d'un système d'aspiration de copeaux. Connecter la scie avec un dispositif d'aspiration poussières si l'on scie du bois.

Ne remplacez pas la LED ou le laser par un autre type. Toute réparation doit être effectuée par le fabricant ou un agent de service agréé.

Ne pas utiliser de lames de scie qui ne correspondent pas aux caractéristiques indiquées dans ces instructions d'utilisation.

Les outils doivent être transportés et conservés dans un récipient approprié.

Les défauts dans la machine, y compris le dispositif de protection ou les lames de scie, doivent être signalés à la personne responsable de la sécurité dès qu'ils sont constatés.

Lors de la réalisation des coupes d'onglet, des coupes en biais et des coupes d'onglet composé, réglez le guide coulissant pour assurer le jeu correct de la lame.

Conformer la vitesse d'avancement afin d'éviter la surchauffe des dents de la lame et la fusion du matériau pendant la coupe de matériau synthétique.

AVERTISSEMENT Ne pas remplacer le DEL avec un autre type.

LAME POUR LA DÉCOUPE DU BOIS INSTRUCTIONS DE SÉCURITÉ PARTICULIÈRES

Veillez lire attentivement le manuel et les instructions avant d'utiliser la lame de scie et la machine.

La machine doit être en bon état, la broche sans déformation et sans vibrations.

N'utilisez pas la scie sans que les protecteurs soient en place, et maintenez les protecteurs en bon état de fonctionnement et bien entretenus.

Assurez-vous que l'opérateur est bien formé aux mesures de sécurité, au réglage et au fonctionnement de la machine.

Portez toujours des lunettes et une protection auditive lors de l'utilisation de la machine. Il est recommandé de porter des gants, des chaussures antidérapantes robustes et un tablier.

Avant d'utiliser un accessoire, consultez le manuel d'instructions. L'utilisation inappropriée d'un accessoire peut causer des dommages et augmenter le risque de blessures.

N'utilisez exclusivement que les lames spécifiées dans ce manuel, conformes à la norme EN 847-1.

Respectez la vitesse maximale indiquée sur la lame de scie. Assurez-vous que la vitesse indiquée sur la lame de scie est au moins égale à la vitesse indiquée sur la scie.

Toujours utiliser des lames de scie de la bonne taille qui ont une forme appropriée à l'alésage de fixation.

Les lames de scie qui ne conviennent pas aux parties montées de la scie sont comme voilées et entraînent une perte de contrôle.

N'utilisez pas de lames dont le diamètre est supérieur ou inférieur au diamètre recommandé. N'utilisez pas d'espateurs pour que la lame s'ajuste sur la broche.

Avant chaque utilisation, vérifiez que les pointes de la lame de scie ne sont pas endommagées et qu'elles ne présentent pas un aspect anormal. Les pointes endommagées ou lâches peuvent être projetées lors de l'utilisation et peuvent augmenter les risques de blessures.

Ne pas utiliser de lames de scie fissurées ou déformées. Ne pas utiliser de lames de scie qui sont endommagées ou déformées.

Retirez la lame de scie si elle est endommagée, déformée, faussée ou fissurée. Aucune réparation n'est autorisée.

Ne pas utiliser de lame de scie fabriquées en acier à coupe rapide.

Assurez-vous que la lame de scie est montée correctement, serrez fermement l'écrou de l'arbre avant de l'utiliser (couple de serrage d'environ 12 Nm).

Les vis et écrous de fixation doivent être serrés à l'aide de la clé appropriée, etc.

L'extension de la clé ou le serrage à l'aide de coups de marteau ne sont pas autorisés.

Assurez-vous que la lame et les brides sont propres et que les côtés en retrait du collier sont contre la lame.

Assurez-vous que la lame tourne dans le bon sens.

Avant le travail, faites une coupe factice sans que le moteur soit allumé afin de vérifier la position de la lame, le fonctionnement des protecteurs par rapport aux autres pièces de la machine et la pièce à usiner.

Ne laissez jamais la machine sans surveillance.

N'appliquez pas de lubrifiant sur la lame lorsqu'elle tourne.



N'effectuez jamais de nettoyage ou d'entretien lorsque la machine est encore en marche et que la tête n'est pas en position de repos. Ne tentez jamais d'arrêter rapidement une machine en mouvement en bloquant la lame avec un outil ou un autre objet, car des accidents graves peuvent être provoqués involontairement de cette façon.

Débranchez la scie de la prise de courant ou retirez la batterie avant de changer les lames ou de procéder à l'entretien.

Soyez prudent(e) lorsque vous emballez ou déballez les lames, car il est facile de se blesser avec les pointes de lame tranchantes.

Utilisez un porte-lame ou portez des gants lorsque vous manipulez une lame de scie.

Conservez et entreposez la lame dans son emballage d'origine ou un autre emballage approprié. Conservez-la dans un endroit sec et à l'écart de tout produit chimique susceptible de l'endommager.



INSTRUCTIONS DE SÉCURITÉ PARTICULIÈRES LASER

Le rayonnement laser utilisé sur cette scie est de classe 1, avec maximum <math>< 1 \text{ mW}</math> et longueurs d'ondes de 650 nm. Ne regardez pas directement avec des instruments optiques. Le non-respect des règles peut entraîner des blessures graves.

Ne regardez pas fixement le faisceau pendant le fonctionnement.

Ne projetez pas le faisceau laser directement dans les yeux d'une autre personne. Des blessures graves aux yeux peuvent en résulter.

Ne placez pas le laser dans une position telle que quelqu'un pourrait regarder le faisceau laser intentionnellement ou involontairement.

N'utilisez pas d'outils optiques pour regarder le faisceau laser.

N'utilisez pas le laser à proximité d'enfants et ne permettez pas à des enfants de faire fonctionner le laser.

N'essayez pas de réparer vous-même le dispositif laser.

N'essayez pas de remplacer vous-même les pièces du dispositif laser, quelles qu'elles soient.

Toute réparation doit être effectuée par le fabricant ou un agent de service agréé.

AVERTISSEMENT Ne pas remplacer le laser incorporé contre un laser d'un autre type.

Ne pas diriger le rayon laser sur des surfaces réfléchissantes.

Éviter toute exposition à la radiation laser. Le laser peut émettre une radiation intense et dangereuse.

UTILISATION CONFORME AUX PRESCRIPTIONS

La scie à onglet combinée coulissante est destinée au sciage de bois massif et collé avec ou sans placage collé, de matières plastiques et de matériaux similaires au bois.

La scie à onglet combinée coulissante est destinée à être utilisée uniquement par des opérateurs adultes qui ont lu le manuel d'instructions et comprennent les risques et dangers.

La scie à onglet combinée coulissante est conçue pour être fixée à la base sur un établi robuste. Si la base n'est pas solidement fixée, toute la machine peut se déplacer pendant les opérations de coupe, ce qui augmente les risques de blessures graves.

La scie à onglet combinée coulissante est conçue pour faire des coupes en biseau et des coupes d'onglet. Les capacités pour les différentes coupes sont fournies dans les spécifications produit, dans le présent manuel.

La scie à onglets combinée coulissante doit être utilisée dans des conditions sèches, avec un excellent éclairage ambiant et une ventilation adéquate.

La scie à onglets combinée coulissante est destinée à être utilisée par les particuliers, ne doit être utilisée que comme décrit ci-dessus et n'est pas destinée à d'autres fins.

RISQUES RÉSIDUELS

Même lorsque la scie à onglets combinée coulissante est utilisée comme prescrit, il est quand même impossible d'éliminer complètement certains facteurs de risque résiduels. L'opérateur doit faire preuve de vigilance afin d'éviter les risques potentiels suivants :

- Risque de contact avec les parties non couvertes de la lame de scie en rotation.
- Effet de recul des pièces à usiner ou de parties des pièces à usiner en raison d'un réglage ou d'une manipulation incorrects.
- Catapultage des pointes en carbure endommagées de la lame de scie. Portez en permanence des lunettes de protection.
- Dommages causés au système respiratoire. Portez un masque de protection respiratoire avec filtre correspondant au matériau usiné. Assurez une ventilation adéquate du lieu de travail. Ne pas manger, boire ni fumer dans la zone de travail.
- Dommages causés au système auditif si une protection auditive efficace n'est pas portée.

AVERTISSEMENT La poussière de certaines peintures, revêtements et matériaux peut provoquer une irritation ou des réactions allergiques. La poussière de bois comme le chêne, le hêtre, le MDF ou autres est cancérigène. Les matériaux contenant de l'amiante ne doivent être usinés que par des opérateurs spécialisés et qualifiés.

AVERTISSEMENT Des blessures peuvent être causées ou aggravées par l'utilisation prolongée d'un outil. Lorsque vous utilisez un outil quel qu'il soit pendant des périodes prolongées, veillez à faire régulièrement des pauses.

ACCUS

Recharger les accus avant utilisation après une longue période de non utilisation.

Une température supérieure à 50°C amoindrit la capacité des accus. Éviter les expositions prolongées au soleil ou au chauffage.

Tenir propres les contacts des accus et des chargeurs.

Pour une durée de vie optimale, les accus doivent être chargés à fond après l'utilisation.

Pour une plus longue durée de vie, enlever les batteries du chargeur de batterie quand celles-ci seront chargées.

En cas d'entreposage de la batterie pour plus de 30 jours: Entreposer la batterie à 27°C environ dans un endroit sec. Entreposer la batterie avec une charge d'environ 30% - 50%. Recharger la batterie tous les 6 mois.

En cas de conditions ou températures extrêmes, du liquide caustique peut s'échapper d'un accus interchangeable endommagé. En cas de contact avec le liquide caustique de la batterie, laver immédiatement avec de l'eau et du savon. En cas de contact avec les yeux, rincer soigneusement avec de l'eau et consulter immédiatement un médecin.

Ne pas conserver les accus interchangeables avec des objets métalliques (risque de court-circuit)

Ne pas jeter les accus interchangeables usés au feu ou avec les déchets ménagers. AEG offre un système d'évacuation écologique des accus usés.

BATTERIE ET CHARGEUR

Batterie compatible (non inclus): System GBS

Chargeur compatible(non inclus): System GBS

Ne charger les accus interchangeables du système GBS qu'avec le chargeur d'accus du système GBS. Ne pas charger des accus d'autres systèmes.

TRANSPORT DE BATTERIES LITHIUM-ION

Les batteries lithium-ion sont soumises aux dispositions législatives concernant le transport de produits dangereux.

Le transport de ces batteries devra s'effectuer dans le respect des dispositions et des normes locales, nationales et internationales.

Les utilisateurs peuvent transporter ces batteries sans restrictions.

Le transport commercial de batteries lithium-ion est réglé par les dispositions concernant le transport de produits dangereux. La préparation au transport et le transport devront être effectués uniquement par du personnel formé de façon adéquate. Tout le procédé devra être géré d'une manière professionnelle.

Durant le transport de batteries il faut respecter les consignes suivantes :

S'assurer que les contacts soient protégés et isolés en vue d'éviter des courts-circuits. S'assurer que le groupe de batteries ne puisse pas se déplacer à l'intérieur de son emballage. Des batteries endommagées ou des batteries perdant du liquide ne devront pas être transportées. Pour tout renseignement complémentaire veuillez vous adresser à votre transporteur professionnel.

PROTECTION DE L'ACCU CONTRE LES SURCHARGES

En cas d'une surcharge de l'accu à cause d'une très haute consommation de courant, par exemple suite à des couples extrêmement élevés, un arrêt soudain ou un court-circuit, l'outil électrique vibre pendant 5 secondes, l'indicateur de charge clignote et l'outil électrique se déconnecte automatiquement.

Pour le ré-enclencher, relâcher le poussoir de l'interrupteur, puis enclencher à nouveau l'appareil.

Sous des sollicitations extrêmes, l'accu s'échauffe trop fortement. Dans ce cas, tous les témoins de l'indicateur de charge clignotent jusqu'à ce que l'accu se soit refroidi. Il est possible de continuer à travailler dès que l'indicateur de charge s'est éteint.

Mettre alors l'accu en place dans le chargeur pour le recharger et l'activer.

ENTRETIEN

Ne modifiez en aucune façon cette scie et n'utilisez pas d'accessoires non agréés par le fabricant. Ceci pourrait compromettre votre sécurité et celle d'autrui.

N'utilisez pas la scie si des interrupteurs, des protecteurs ou toute autre fonction de cette scie ne fonctionnent pas comme prévu. Retournez à votre centre de service agréé pour une réparation ou un réglage professionnel.

Ne procédez à aucun réglage lorsque la lame de scie est en mouvement.

Retirez la batterie avant d'effectuer des réglages, de lubrifier ou de procéder à des opérations d'entretien sur la machine.

Avant et après chaque utilisation, vérifiez que votre scie ne présente pas de pièces cassées ou endommagées et maintenez-la en parfait état de fonctionnement en remplaçant immédiatement ces pièces par des pièces de rechange approuvées par le fabricant.

La lame est très chaude après l'utilisation, portez des gants ou laissez-la refroidir avant toute procédure de maintenance ou de nettoyage.

Nettoyez la poussière accumulée à l'aide d'une brosse ou d'un aspirateur. Ne pas utiliser d'air comprimé.

Pour assurer la sécurité et la fiabilité, toutes les réparations, y compris le changement des brosses, doivent être effectuées par un centre de service agréé.

Assurez-vous de débrancher l'outil du secteur avant de monter ou de démonter la lame de scie.

Nettoyer l'appareil et le dispositif de protection avec un chiffon sec.

Tenir toujours propres les orifices de ventilation de la machine.

PIÈCES DE RECHANGE

N'utiliser que des pièces et accessoires AEG. Pour des pièces dont l'échange n'est pas décrit, s'adresser de préférence aux stations de service après-vente AEG (voir brochure Garantie/Adresses des stations de service après-vente).

Si besoin est, une vue éclatée de l'appareil peut être fournie. S'adresser, en indiquant bien le numéro porté sur la plaque signalétique, à votre station de service après-vente (voir liste jointe) ou directement à Techtronic Industries GmbH, Max-Eyth-Straße 10, 71364 Winnenden, Germany.

DÉCLARATION CE DE CONFORMITÉ

Nous déclarons, sous notre responsabilité exclusive, que le produit décrit ici dans les « Caractéristiques techniques » satisfait à toutes les dispositions pertinentes des directives

2011/65/UE

2006/42/CE

2014/30/UE

et que les normes harmonisées suivantes ont été appliquées.

EN 61029-1:2009 + A11:2010

EN 61029-2-9:2012 + A11:2013

EN 55014-1-2:2006+A1:2009+A2:2011

EN 55014-2-1:1997+A1:2001+A2:2008

EN 50581:2012



Winnenden, 2016-12-02

Alexander Krug / Managing Director

Autorisé à compiler la documentation technique.

Techtronic Industries GmbH

Max-Eyth-Straße 10, 71364 Winnenden, Germany



SYMBOLES



ATTENTION! AVERTISSEMENT! DANGER!



Avant tous travaux sur l'appareil retirer l'accu interchangeable.



Veuillez lire avec soin le mode d'emploi avant la mise en service.



Toujours porter des lunettes protectrices en travaillant avec la machine.



Toujours porter une protection acoustique!



Porter des gants de protection!



Vis desserrée / Sens de rotation



Ne jamais mettre les mains dans la zone de la lame de scie.



Appareil à utiliser uniquement dans un local, à ne jamais l'exposer à la pluie.



Ne pas regarder dans le rayon laser.



This product corresponds to the laser class 1 in accordance with EN 60825-1:2014.



Ø de la lame de scie et de son alésage



Sens de rotation



dents de la lame



Largeur de coupe



Les dispositifs électriques ne sont pas à éliminer dans les déchets ménagers. Les dispositifs électriques et électroniques sont à collecter séparément et à remettre à un centre de recyclage en vue de leur élimination dans le respect de l'environnement. S'adresser aux autorités locales ou au détaillant spécialisé en vue de connaître l'emplacement des centres de recyclage et des points de collecte.



Marque CE



Marque de qualité UkrSEPRO



Marque de qualité EurAsian

DATI TECNICI Troncatrice *	BPS18-254BL
Numero di serie	4601 74 01... ... 000001-999999
Tensione batteria	18 V
Numero di giri a vuoto	3900 min ⁻¹
Diametro lama x foro lama	254 x 30 mm
Spessore corpo lama della sega	1,6 mm
Spessore dente lama della sega	2,2 mm
Potenza di taglio max. Ugnatura a 0°/incl. a 0° Ugnatura a 0°/incl. a 45° Ugnatura a 0°/incl. a 45° Ugnatura a 45°/incl. a 0° Ugnatura a 45°/incl. a 0° Ugnatura a 45°/incl. a 45° Ugnatura a 45°/incl. a 45°	90 mm x 305 mm 39 mm x 305 mm 43 mm x 305 mm 90 mm x 215 mm 50 mm x 215 mm 39 mm x 215 mm 43 mm x 215 mm
Min. misurazione massima dei pezzi	215 x 35 x 2,5 mm
Peso secondo la procedura EPTA 01/2003 (Li-Ion 5.0 Ah)	16,3 kg
Informazioni sulla rumorosità Valori misurati conformemente alla norma EN 61029. La misurazione A del livello di pressione acustica dell'utensile è di solito di: Livello di rumorosità (Incertezza della misura K=3dB(A)) Potenza della rumorosità (Incertezza della misura K=3dB(A))	89,0 dB (A) 98,5 dB (A)
Utilizzare le protezioni per l'udito! Informazioni sulle vibrazioni Valori totali delle oscillazioni (somma di vettori in tre direzionmisurati conformemente alla norma EN 61029 Segatura di legno: Valore di emissione dell'oscillazione a _h Incertezza della misura K=	1,1 m/s ² 1,5 m/s ²

* PS ≙ Troncatrice

AVVERTENZA!

Il livello di vibrazioni indicato nelle presenti istruzioni è stato misurato in conformità con un procedimento di misurazione codificato nella EN 61029 e può essere utilizzato per un confronto tra attrezzi elettrici. Inoltre si può anche utilizzare per una valutazione preliminare della sollecitazione da vibrazioni.

Il livello di vibrazioni indicato rappresenta le applicazioni principali dell'attrezzo elettrico. Se viceversa si utilizza l'attrezzo elettrico per altri scopi, con accessori differenti o con una manutenzione insufficiente, il livello di vibrazioni può risultare diverso. E questo può aumentare decisamente la sollecitazione da vibrazioni lungo l'intero periodo di lavorazione.

Ai fini di una valutazione precisa della sollecitazione da vibrazioni si dovrebbero tenere presente anche i periodi in cui l'apparecchio rimane spento oppure, anche se acceso, non viene effettivamente utilizzato. Ciò può ridurre notevolmente la sollecitazione da vibrazioni lungo l'intero periodo di lavorazione.

Stabile misure di sicurezza supplementari per la tutela dell'operatore dall'effetto delle vibrazioni, come ad esempio: manutenzione dell'attrezzo elettrico e degli accessori, riscaldamento delle mani, organizzazione dei processi di lavoro.

AVVERTENZA E' necessario leggere tutte le indicazioni di sicurezza e le istruzioni. In caso di mancato rispetto delle avvertenze di pericolo e delle istruzioni operative si potrà creare il pericolo di scosse elettriche, incendi e/o incidenti gravi.

Conservare tutte le avvertenze di pericolo e le istruzioni operative per ogni esigenza futura.

AVVERTENZE DI SICUREZZA GENERALI

AVVERTENZA

Durante l'uso di utensili elettrici devono essere rispettate le misure di sicurezza basilari di seguito riportate per prevenire rischi di folgorazione elettrica, di lesione e di incendio. Leggere tutte le presenti indicazioni prima di usare questo utensile elettrico e conservare in modo sicuro le presenti indicazioni di sicurezza.

Mantenere sgombra l'area di lavoro. Posti e banchi di lavoro disordinati incrementano il pericolo di infortuni e lesioni.

Considerare l'ambiente dell'area di lavoro. Non esporre l'apparecchio alla pioggia, non utilizzarla nell'ambiente bagnato o umido. Mantenere ben illuminata l'area di lavoro. Non usare utensili alla presenza di liquidi o gas infiammabili.

Protegersi da folgorazione elettrica. Evitare ogni contatto tra parti del corpo ed elementi messi a terra come tubazioni, radiatori, forni elettrici o frigoriferi.

Tenere lontane altre persone. Non permettere a persone non coinvolte nel lavoro, specialmente a bambini, di toccare l'utensile o il cavo di prolunga, e tenerli lontano dall'area di lavoro.

Riporre gli utensili inutilizzati. Gli utensili che non vengono utilizzati devono essere conservati in luogo asciutto, possibilmente in alto, al di fuori della portata di bambini oppure in un luogo non accessibile.

Non sottoporre la macchina a sovraccarico. Per il lavoro specifico, utilizzare esclusivamente l'elettrotensile idoneo. Con un elettrotensile adatto si lavora in modo migliore e più sicuro nell'ambito della sua potenza di prestazione.

Usare l'utensile giusto. Non forzare utensili piccoli a fare il lavoro di un utensile per applicazioni gravose. Non utilizzare l'utensile



elettrico per scopi ai quali non è destinato. Per esempio non usare le seghe circolari per tagliare rami di alberi o ceppi di legno.

Indossare vestiti adeguati. Non indossare vestiti larghi e gioielli. Tenere i capelli, i vestiti ed i guanti lontani da pezzi in movimento. Per i lavori in ambienti esterni si consiglia l'uso di calzature di lavoro antiscivolo. Se si portano i capelli lunghi, indossare una rete per capelli.

Usare equipaggiamento di protezione. Usare occhiali di sicurezza. Usare una maschera facciale o antipolvere se le operazioni di lavoro creano polvere.

Montare sempre il sistema di aspirazione della polvere. In caso fosse previsto il montaggio di dispositivi di aspirazione della polvere e di raccolta, assicurarsi che gli stessi siano collegati e che vengano utilizzati correttamente.

Non usare il cavo per scopi diversi da quelli previsti ed. Non tirare mai il cavo elettrico per scollegarlo dalla presa. Tenere il cavo elettrico lontano da calore, olio e spigoli vivi.

Fissare in sicurezza il pezzo da lavorare. Utilizzare dispositivi di serraggio oppure una morsa a vite per tenere fermo il pezzo da lavorare. In questa maniera il pezzo verrà fissato con maggiore sicurezza che a mano.

Non sporgersi troppo e mantenere sempre l'equilibrio.

Mantenere gli utensili con cura. Per garantire prestazioni migliori e più sicure degli utensili da taglio, tenerli affilati e puliti. Rispettare le istruzioni di lubrificazione e per la sostituzione degli utensili. Controllare regolarmente la linea di connessione dell'utensile elettrico ed in caso di danneggiamento farla sostituire da un elettricista specializzato. Controllare regolarmente le linee di prolungamento e sostituirle se risultano danneggiate. Mantenere le maniglie asciutte, pulite e libere da olio e grasso.

Scollegare gli utensili. Quando non è in uso, prima della manutenzione e quando si cambiano accessori come lame, punte e frese, scollegare gli utensili dall'alimentazione elettrica.

Rimuovere chiavette e chiavi di regolazione. Prima di accendere l'utensile, abituarsi a controllare che chiavette e chiavi di regolazione siano state rimosse.

Evitare l'accensione involontaria dell'elettro utensile. Quando s'installa il pacco batteria, assicurarsi che l'interruttore sia in posizione "off".

Usare conduttori di prolunga per esterni. Lavorando con un utensile elettrico all'aperto, utilizzare esclusivamente cavi di prolunga omologati per esterni e marcati di conseguenza.

Restare all'erta. Badare a cosa si sta facendo, usare buon senso e non azionare l'utensile quando si è stanchi.

Prima dell'uso, controllare l'utensile per verificare la presenza di danni o fatica del materiale. Verificare l'allineamento di parti mobili, l'inceppamento di parti in movimento, la rottura di parti, il montaggio e ogni altra condizione che possa incidere sul suo funzionamento.

Non usare la macchina se le protezioni non sono posizionate e funzionano correttamente.

Fare immediatamente riparare eventuali danni da un'officina autorizzata. Non usare l'utensile se non è possibile accenderlo o spegnerlo con l'interruttore.

AVVERTENZA L'uso di accessori diversi da quelli raccomandati nel presente manuale d'istruzione può presentare un rischio di lesione personale.

L'utensile elettrico deve essere riparato da un elettricista specializzato. Questo utensile elettrico corrisponde alle disposizioni di sicurezza vigenti. Le riparazioni devono essere eseguite esclusivamente da un elettricista specializzato ed usando ricambi originali, per evitare rischi di infortunio all'operatore.

A ISTRUZIONI DI SICUREZZA PER LE TRONCATRICI

Saldare sempre il pezzo da lavorare in modo saldo e sicuro.

Accertarsi che la macchina sia sempre stabile (ad esempio fissandola sul banco di lavoro).

Indossare protezioni acustiche adeguate. L'esposizione al rumore potrebbe comportare una riduzione dell'udito.

Durante il lavoro con la macchina bisogna sempre portare occhiali di protezione. Si raccomanda di indossare guanti per movimentare lame e materiale scabroso, oltre a scarpe antiscivolo robuste che proteggano anche i piedi da pezzi in lavorazione che potrebbero cadere dall'area di taglio.

Prima di effettuare qualsiasi regolazione, manutenzione o pulizia sulla macchina, rimuovere sempre la spina o il pacco batteria.

Assicurarsi di aver spento la macchina prima di installare o rimuovere il pacco batteria.

Non stare allineati con la lama della sega davanti alla macchina. Stare sempre di lato alla lama della sega.

Tenere le mani, le dita e le braccia lontano dalla lama della sega in rotazione.

Non entrare mai nell'area vicina alla lama, salvo che questa si sia completamente fermata.

Prima dell'uso, controllare l'utensile per verificare la presenza di danni o fatica del materiale. Parti danneggiate devono essere riparate esclusivamente da un tecnico specializzato.

Usare sempre il dispositivo di protezione dell'apparecchio. Non usare la macchina se le protezioni non sono posizionate e funzionano correttamente.

Non bloccare la calotta di protezione.

Se il pezzo da lavorare o la lama si incastrano, spegnere la troncatrice. Attendere che le parti mobili si arrestino e scollegare la spina dall'alimentazione e/o rimuovere la batteria. Quindi liberare il materiale incastrato.

Non alterare o modificare mai la sega o la sua funzione per non compromettere la vostra sicurezza.

Non usare lame della sega incurvate, danneggiate o deformate.

Non utilizzare lame di sega fatte in acciaio rapido.

Usare solo lame della sega che sono affilate. Sostituire lame che hanno perso il filo con lame nuove.

Quando si maneggia una lama della sega, usare un supporto lama o indossare guanti.

Utilizzare sempre lame per segatrice che abbiano la misura corretta ed il foro di montaggio adatto.

In caso di lame per segatrice inadatte ai relativi pezzi di montaggio non hanno una rotazione perfettamente circolare e comportano il pericolo di una perdita del controllo.

Usare solo lame per lavorazione del legno specificate in questo manuale, che sono conformi a EN 847-1.

Non usare flange, rondelle e dadi per fissare la lama della sega diversa da quelle fornite o indicate nel manuale d'istruzione.

Il numero massimo di giri indicato sulla lama della sega deve essere rispettato.

Scegliere una lama di sega adatta al materiale da tagliare.



Non usare mai la troncatrice per tagliare materiali diversi da quelli specificati nella sezione sull'uso previsto del presente manuale. Sostituire l'inserito per tavolo se usurato o danneggiato.

Prima del lavoro, praticare un taglio fittizio senza il motore acceso, per controllare la posizione della lama, il funzionamento delle protezioni rispetto ad altre parti della macchina, e il pezzo da lavorare. Non rimuovere dalla zona di lavorazione i residui di taglio o altre porzioni dei pezzi in lavorazione se la macchina è in funzione e la testa segatrice non si trova in posizione di riposo.

Quando si trasporta la macchina, usare solo dispositivi di trasporto e non usare mai le protezioni per la movimentazione il trasporto.

Trasportare la sega troncatrice solo con sicura di trasporto chiusa sul manico.

Tenere il pavimento libero da residui di materiali, ad es. trucioli e residui di taglio.

Pezzi lunghi devono essere supportati adeguatamente+D6.

Non è ammessa segare pezzi a sezione rotonda o irregolare (ad es. legno da ardere) visto che non possono essere serrati in sicurezza durante la fase di segatura. Se si desiderano segare pezzi piani appoggiati sul loro lato stretto occorre utilizzare un'ideale battuta ausiliaria per una guida sicura.

La polvere provocata durante la lavorazione con questo utensile può essere dannosa alla salute e per questo motivo non devono entrare in contatto con il corpo. Usare un sistema d'aspirazione polvere e indossare una maschera di protezione dalla polvere. Rimuovere i depositi di polvere, per esempio con un aspiratore.

Collegare la sega con un dispositivo di aspirazione polveri se si sega del legno.

Non sostituire il LED o laser con un tipo diverso. Eventuali riparazioni devono essere effettuate solo dal fabbricante o da un tecnico di assistenza autorizzato.

Non utilizzare lame non corrispondenti alle specifiche riportate in queste istruzioni d'uso.

Gli utensili devono essere trasportati e conservati in un contenitore adatto;

Guasti della macchina, inclusi quelli del dispositivo di protezione o delle lame della sega, devono essere segnalati alla persona responsabile della sicurezza, non appena vengono individuati.

Nell'eseguire tagli piramidali, tagli a squadra o tagli piramidali multipli, regolare lo schermo scorrevole per garantire la corretta distanza dalla lama.

Adeguare la velocità di avanzamento per evitare il surriscaldamento dei denti della lama e, durante il taglio di materiale sintetico, la fusione del materiale.

AVVERTENZA Non sostituire il LED con un altro tipo.

LAMA PER TAGLIO LEGNO NORME DI SICUREZZA

Si prega di leggere attentamente il manuale e le istruzioni prima di usare la lama della sega e la macchina.

La macchina deve essere in buono stato, il mandrino senza deformazione e vibrazione.

Non usare la sega senza le protezioni in posizione, tenere le protezioni in buono stato di funzionamento e di manutenzione.

Assicurare che l'operatore sia adeguatamente addestrato nelle precauzioni di sicurezza, nella regolazione e nel funzionamento della macchina.

Indossare sempre occhiali e protezione acustica quando si usa la macchina. Si raccomanda di indossare guanti, scarpe antiscivolo e grembiule robusti.

Prima di usare un accessorio, consultare il manuale d'istruzione. L'uso improprio di un accessorio può causare danni e aumentare la potenzialità di lesioni.

Usare solo lame specificate in questo manuale, che sono conformi a EN 847-1.

Osservare la velocità massima punzonata sulla lama della sega. Assicurarsi che la velocità punzonata sulla lama della sega è almeno uguale alla velocità punzonata sulla sega.

Utilizzare sempre lame per segatrice che abbiano la misura corretta ed il foro di montaggio adatto.

In caso di lame per segatrice inadatte ai relativi pezzi di montaggio non hanno una rotazione perfettamente circolare e comportano il pericolo di una perdita del controllo.

Non usare lame di diametro maggiore o inferiore a quello raccomandato. Non usare distanziali per aggiustare la lama sul mandrino.

Controllare la presenza di danni o anomalie nell'aspetto delle punte della lama della sega. Se usate, punte danneggiate o allentate possono diventare oggetti volanti e aumentare la probabilità di lesioni personali.

Non devono essere utilizzate né lame incrinata né lame la cui forma abbia subito alterazioni. Non usare lame danneggiate o deformate.

Rottamare la lama della sega se danneggiata, deformata, distorta o incrinata; non sono permesse riparazioni.

Non utilizzare lame di sega fatte in acciaio rapido.

Assicurare che la lama della sega sia montata correttamente, serrare saldamente il dado dell'albero prima dell'uso (coppia di serraggio circa 12 Nm).

Serrare la viteria di fissaggio con la chiave appropriata, ecc.

Non è permesso prolungare la chiave o serrare a colpi di martello.

Assicurarsi che la lama e le flange siano pulite e che i lati incassati del collare siano contro la lama.

Assicurarsi che la lama ruoti nella direzione corretta.

Prima del lavoro, praticare un taglio fittizio senza il motore acceso, per controllare la posizione della lama, il funzionamento delle protezioni rispetto ad altre parti della macchina, e il pezzo da lavorare.

Non lasciare mai la macchina incustodita.

Non applicare lubrificanti sulla lama quando è in funzione.

Non eseguire mai interventi di pulizia o manutenzione quando la macchina è ancora in funzione e la testa non si trova nella posizione di riposo.

Non provare mai a fermare rapidamente una macchina in moto incastrandone un utensile o altro mezzo contro la lama, per non provocare inavvertitamente incidenti gravi.

Prima di cambiare lame o eseguire la manutenzione, scollegare la sega dall'alimentazione elettrica o rimuovere il pacco batteria.

Fare attenzione all'imballo e al disimballo della lama, è facile ferirsi con le punte affilate della lama.

Quando si maneggia una lama della sega, usare un supporto lama o indossare guanti.

Mantenere e conservare la lama nell'imballo originale o in altro imballo idoneo, tenerla all'asciutto e lontana da sostanze chimiche che possono danneggiare la lama.

NORME DI SICUREZZA LASER

La radiazione laser usata in questa sega è di Classe 1 con lunghezze d'onda massime <1 mW e 650 nm. Non guardare in modo diretto con strumenti ottici. La mancata osservanza delle regole potrebbe causare gravi lesioni personali.



Non fissare il raggio luminoso durante il funzionamento.
Non proiettare il raggio laser direttamente negli occhi di altri. Potrebbero risulterne lesioni oculari gravi.

Non disporre il laser in una posizione che possa indurre altri a guardare il raggio laser con o senza intenzione.

Non usare strumenti ottici per guardare il raggio laser.

Non azionare il laser intorno a bambini o permettere a bambini di azionare il laser.

Non provare a riparare il dispositivo laser da soli.

Non provare a cambiare da soli pezzi del dispositivo laser.

Eventuali riparazioni devono essere effettuate solo dal fabbricante o da un tecnico di assistenza autorizzato.

AVVERTENZA Non sostituire il laser integrato applicandovi un laser di un altro tipo.

Non rivolgere il laser su superfici riflettenti.

Non esporre alla radiazione laser. Il laser può emettere una forte radiazione.

UTILIZZO CONFORME

La sega da banco radiale serve a segare legno massello e a strati con o senza impiallacciatura incollata, plastiche e materiali simili a legno.

La sega da banco radiale è destinata all'uso esclusivo da parte di operatori adulti che abbiano letto il manuale d'istruzione e comprendano i rischi concreti e potenziali.

La sega da banco radiale è progettata per essere fissata alla base di un piano di banco solido. Se la base non è fissata in modo sicuro, l'intera macchina può muoversi durante le operazioni di taglio, aumentando la possibilità di lesioni personali gravi.

La sega da banco radiale è progettata per realizzare ugnature e tagli a quartabuono. Le capacità dei vari tagli sono fornite nelle specifiche di prodotto nel presente manuale.

La sega da banco radiale deve essere usata in condizioni asciutte, con illuminazione ambiente eccellente e ventilazione adeguata.

La sega da banco radiale è destinata all'uso non professionale e deve essere usata solo come descritta sopra escludendo ogni altro scopo.

RISCHI RESIDUI

Anche quando la sega da banco radiale è usata come prescritto, è ancora impossibile eliminare completamente certi fattori di rischio residuo. Possono insorgere i seguenti rischi e l'operatore deve fare attenzione speciale a evitare quanto segue:

- rischio di contatto con parti non coperte della lama in rotazione della sega.
- Colpo indietro di pezzi in lavorazione o parti degli stessi a causa di regolazione o movimentazione improprie.
- Catapultamento di punte in carburato guaste dalla lama della sega. Indossare sempre dispositivi di protezione oculare.
- Danni all'apparato respiratorio. Indossare maschere di protezione respiratoria contenenti filtri adatti ai materiali in lavorazione. Assicurare una ventilazione adeguata del posto di lavoro. Non mangiare, bere o fumare nell'area di lavoro.
- Danneggiamento dell'udito se non s'indossano dispositivi di protezione acustica efficaci.

AVVERTENZA La polvere prodotta da certe vernici, rivestimenti e materiali può causare irritazione o reazioni allergiche. La polvere prodotta da legno come quercia, betulla, MDF e altri è cancerogena. I materiali contenenti amianto devono essere lavorati o trattati solo da operatori specializzati qualificati.

AVVERTENZA L'uso prolungato di un utensile può provocare lesioni o aggravamenti. Quando si usa qualsiasi utensile per periodi prolungati, assicurarsi di fare interruzioni regolari.

BATTERIE

Batterie non utilizzate per molto tempo devono essere ricaricate prima dell'uso.

A temperature superiori ai 50°C, la potenza della batteria si riduce. Evitare di esporre l'accumulatore a surriscaldamento prolungato, dovuto ad esempio ai raggi del sole o ad un impianto di riscaldamento.

Per una ottimale vita utile è necessario ricaricare completamente le batterie dopo l'uso.

Per una più lunga durata, rimuovere le batterie dal caricabatterie quando saranno cariche.

In caso di immagazzinaggio della batteria per più di 30 giorni: Immagazzinare la batteria a circa 27°C in ambiente asciutto. Immagazzinare la batteria con carica di circa il 30% - 50%. Ricaricare la batteria ogni 6 mesi.

Non caso di batterie danneggiate da un carico eccessivo o da temperature alte, l'acido di queste potrebbe fuoriuscire. In caso di contatto con l'acido delle batterie lavarsi immediatamente con acqua e sapone. In caso di contatto con gli occhi risciacquare immediatamente con acqua per almeno 10 minuti e contattare subito un medico.

Nel vano d'innesto per la batteria del caricatore non devono entrare parti metalliche (pericolo di cortocircuito).

Si prega di leggere con attenzione le istruzioni riguardanti la sicurezza, nel volantino allegato.

BATTERIA E CARICA BATTERIA

Pacco batteria compatibile (non inclusi): System GBS

Carica batteria compatibile (non inclusi): System GBS

Le batterie del System GBS sono ricaricabili esclusivamente con i caricatori del System GBS. Le batterie di altri sistemi non possono essere ricaricate.

TRASPORTO DI BATTERIE AGLI IONI DI LITIO

Le batterie agli ioni di litio sono soggette alle disposizioni di legge sul trasporto di merce pericolosa.

Il trasporto di queste batterie deve avvenire rispettando le disposizioni e norme locali, nazionali ed internazionali.

Gli utilizzatori possono trasportare queste batterie su strada senza alcuna restrizione.

Il trasporto commerciale di batterie agli ioni di litio è regolato dalle disposizioni sul trasporto di merce pericolosa. Le preparazioni al trasporto ed il trasporto stesso devono essere svolti esclusivamente da persone idoneamente istruite. Tutto il processo deve essere gestito in maniera professionale.

Durante il trasporto di batterie occorre tenere conto di quanto segue:

Assicurarsi che i contatti siano protetti ed isolati per evitare corto circuiti. Accertarsi che il gruppo di batterie non possa spostarsi all'interno dell'imballaggio. Batterie danneggiate o batterie che perdono liquido non devono essere trasportate. Per ulteriori informazioni si prega di contattare il proprio trasportatore.

DISPOSITIVO ANTISOVRACCARICO ACCUMULATORE

In caso di sovraccarico dell'accumulatore dovuto ad un consumo molto elevato di corrente, ad es. momenti di coppia estremamente elevati, arresto improvviso o corto circuito, l'utensile elettrico vibra per 5 secondi, il display di carica lampeggia e l'elettrotensile si spegne automaticamente.

Per riaccenderlo rilasciare l'interruttore e poi riaccenderlo.

Se sottoposto a sollecitazioni estreme l'accumulatore si riscalda eccessivamente. In questo caso lampeggiano tutte le spie del display di carica finché l'accumulatore non è raffreddato. Quando il display di carica si spegne si può continuare a lavorare.

Inserire l'accumulatore nell'apparecchio carica-batterie per ricaricarlo e attivarlo.

MANUTENZIONE

Non modificare questa sega in alcun modo né usare accessori non approvati dal fabbricante per non compromettere la vostra sicurezza e quella di altri.

Non usare la sega se eventuali interruttori, protezioni o altra funzione della stessa non funzionano come previsto. Restituire l'utensile a un centro di assistenza autorizzato per riparazioni o regolazioni professionali.

Non effettuare regolazioni mentre la lama della sega è in movimento.

Rimuovere il pacco batteria prima di effettuare regolazioni, lubrificazione o quando si esegue manutenzione sulla macchina.

Prima e dopo ogni uso, controllare la sega per verificare la presenza di danni o pezzi rotti e tenerla in stato di funzionamento perfetto sostituendo pezzi immediatamente con ricambi approvati dal fabbricante.

La lama è molto calda dopo l'uso; indossare guanti o lasciarla raffreddare prima di procedure manutentive o pulizia.

Pulire la polvere accumulata con una spazzola o aspirapolvere. Non usare aria compressa.

Per assicurare sicurezza e affidabilità, tutte le riparazioni, incluso il cambio delle spazzole, devono essere eseguite da un centro di assistenza autorizzato.

Assicurarsi di aver scollegato l'utensile dall'alimentazione prima di collegarlo o prima di rimuovere la lama.

Pulire l'apparecchio ed il dispositivo di protezione con un panno asciutto.

Tener sempre ben pulite le fessure di ventilazione dell'apparecchio.

RICAMBI

Utilizzare esclusivamente accessori e pezzi di ricambio AEG. L'installazione di pezzi di ricambio non specificamente prescritti dall'AEG va preferibilmente effettuata dal servizio di assistenza clienti AEG (ved. opuscolo Garanzia/Indirizzi Assistenza tecnica).

In caso di mancanza del disegno esploso, può essere richiesto al seguente indirizzo: Techtronic Industries GmbH, Max-Eyth-Straße 10, 71364 Winnenden, Germany.

DICHIARAZIONE DI CONFORMITÀ CE

Assumendone la piena responsabilità, dichiariamo che il prodotto descritto nei "Dati tecnici" è conforme alle pertinenti disposizioni delle direttive

2011/65/UE

2006/42/CE

2014/30/UE

e che sono state applicate le seguenti norme armonizzate

EN 61029-1:2009 + A11:2010

EN 61029-2-9:2012 + A11:2013

EN 55014-1:2006+A1:2009+A2:2011

EN 55014-2: 1997+A1:2001+A2:2008

EN 50581:2012



Winnenden, 2016-12-02

Alexander Krug / Managing Director

Autorizzato alla preparazione della documentazione tecnica

Techtronic Industries GmbH

Max-Eyth-Straße 10, 71364 Winnenden, Germany

SIMBOLI



ATTENZIONE! AVVERTENZA! PERICOLO!



Prima di iniziare togliere la batteria dalla apparecchiatura.



Leggere attentamente le istruzioni per l'uso prima di mettere in funzione l'elettro-utensile.



Durante l'uso dell'apparecchio utilizzare sempre gli occhiali di protezione.



Utilizzare le protezioni per l'udito!



Indossare guanti protettivi!



Vite aperte / Senso di rotazione



Tenere le mani sempre lontane dalla zona di lavoro della lama.



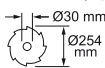
Apparecchio da utilizzare esclusivamente in luogo chiuso, e comunque non esposto a pioggia.



Non guardare nel raggio laser



This product corresponds to the laser class 1 in accordance with EN 60825-1:2014.



Ø30 mm
Ø254 mm
Diametro lama x foro lama



Senso di rotazione



denti della lama



Larghezza di taglio



I dispositivi elettrici non devono essere smaltiti con i rifiuti domestici. I dispositivi elettrici ed elettronici devono essere raccolti separatamente e devono essere conferiti ad un centro di riciclaggio per lo smaltimento rispettoso dell'ambiente. Chiedere alle autorità locali o al rivenditore specializzato dove si trovano i centri di riciclaggio e i punti di raccolta.



Marchio CE



Marchio di conformità UkrSEPRO



Marchio di conformità EurAsian

Italiano

DATOS TÉCNICOS		BPS18-254BL
Inglletadora *		
Número de producción	4601 74 01... ... 000001-999999	
Voltaje de batería	18 V	
Velocidad en vacío	3900 min ⁻¹	
Disco de sierra - Ø x orificio Ø	254 x 30 mm	
Grosor del cuerpo de la hoja de sierra	1,6 mm	
Grosor de los dientes de la hoja de sierra	2,2 mm	
Potencia máxima de corte		
Inglete 0°/Inclinación 0°	90 mm x 305 mm	
Inglete 0°/Inclinación 45° ↘	39 mm x 305 mm	
Inglete 0°/Inclinación 45° ↘	43 mm x 305 mm	
Inglete ↘45°/Inclinación 0°	90 mm x 215 mm	
Inglete ↘45°/Inclinación 0°	50 mm x 215 mm	
Inglete 45°/Inclinación 45° ↘	39 mm x 215 mm	
Inglete 45°/Inclinación 45° ↘	43 mm x 215 mm	
Dimensiones mín. de la pieza de trabajo	215 x 35 x 2,5 mm	
Peso de acuerdo con el procedimiento EPTA 01/2003 (Li-Ion 5.0 Ah)	16,3 kg	
Información sobre ruidos		
Determinación de los valores de medición según norma EN 61029. El nivel de ruido típico del aparato determinado con un filtro A corresponde a:		
Presión acústica (Tolerancia K=3dB(A))	89,0 dB (A)	
Resonancia acústica (Tolerancia K=3dB(A))	98,5 dB (A)	
Usar protectores auditivos!		
Informaciones sobre vibraciones		
Nivel total de vibraciones (suma vectorial de tres direcciones) determinado según EN 61029.		
Aserrado de madera: Valor de vibraciones generadas a _h	1,1 m/s ²	
Tolerancia K=	1,5 m/s ²	

* PS ≙ Inglletadora

ADVERTENCIA!

El nivel vibratorio indicado en estas instrucciones ha sido medido conforme a un método de medición estandarizado en la norma EN 61029, y puede utilizarse para la comparación entre herramientas eléctricas. También es apropiado para una estimación provisional de la carga de vibración.

El nivel vibratorio indicado representa las aplicaciones principales de la herramienta eléctrica. Si, pese a ello, se utiliza la herramienta eléctrica para otras aplicaciones, con útiles adaptables diferentes o con un mantenimiento insuficiente, el nivel vibratorio puede diferir. Esto puede incrementar sensiblemente la carga de vibración durante todo el periodo de trabajo.

Para una estimación exacta de la carga de vibración deberían tenerse en cuenta también los tiempos durante los que el aparato está apagado o, pese a estar en funcionamiento, no está siendo realmente utilizado. Esto puede reducir sustancialmente la carga de vibración durante todo el periodo de trabajo.

Adopte medidas de seguridad adicionales para la protección del operador frente al efecto de las vibraciones, como por ejemplo: mantenimiento de la herramienta eléctrica y de los útiles adaptables, mantener las manos calientes, organización de los procesos de trabajo.

⚠ ADVERTENCIA Rogamos leer las indicaciones de seguridad y las instrucciones. En caso de no atenerse a las advertencias de peligro e instrucciones siguientes, ello puede ocasionar una descarga eléctrica, un incendio y/o lesión grave.

Guardar todas las advertencias de peligro e instrucciones para futuras consultas.

INDICACIONES GENERALES DE SEGURIDAD

⚠ ADVERTENCIA

Antes de utilizar las herramientas eléctricas se deben observar las siguientes medidas de seguridad fundamentales para protegerse contra descargas y evitar el peligro de lesiones y de incendio. Lea todas las advertencias antes de utilizar esta herramienta eléctrica y guarde estas instrucciones de seguridad en un lugar seguro.

Mantenga el área de trabajo despejada. Las áreas y los bancos de trabajo desordenados aumentan el riesgo de accidentes

Tenga en cuenta el entorno del área de trabajo. No exponga las herramientas a la lluvia. No utilice las herramientas en lugares húmedos o mojados. Mantenga el área de trabajo bien iluminada. No utilice las herramientas en presencia de líquidos o gases inflamables.

¡Atención! Peligro de electrocución. Evite entrar en contacto con piezas conectadas a tierra, como p. ej. tubos, radiadores, cocinas o refrigeradores.

Mantenga a otras personas alejadas. No permita que otras personas, especialmente niños, no involucradas en el trabajo toquen la herramienta o el cable extensor y manténgalas fuera del área de trabajo.

Guarde las herramientas que no esté utilizando. Cuando no se estén utilizando, las herramientas deben almacenarse en un lugar cerrado bajo llave y seguro, fuera del alcance de los niños.

No sobrecargue el dispositivo. Utilice la herramienta eléctrica apropiada para su trabajo. Con la herramienta adecuada trabajará mejor y de manera más segura en el rango de potencia indicado.

Utilice la herramienta adecuada. No fuerce una herramienta pequeña a hacer el trabajo de una herramienta pesada.

Lleve puesta ropa de trabajo adecuada. No lleve puesta ropa suelta o joyería, estas pueden engancharse a las partes móviles.

Utilice un equipo de protección personal. Utilice gafas de seguridad. Utilice una máscara facial o para el polvo si los trabajos que se van a realizar generan polvo.

Cerrar siempre el extractor de polvo. Si pueden montarse dispositivos de aspiración y acumulación de polvo, asegúrese de que estén conectados y de que se utilizan correctamente.

No utilice el cable para mover la herramienta eléctrica. Nunca tire del cable para desconectarlo de la toma de corriente. Mantenga el cable alejado de fuentes de calor, aceite y bordes afilados.

Asegure la pieza de trabajo. Cuando sea posible, utilice dispositivos de sujeción o una mordaza para sujetar la pieza de trabajo. Es más seguro que utilizar simplemente la mano.

No se incline demasiado y mantenga el equilibrio en todo momento.

Someta las herramientas a mantenimiento. Mantenga las herramientas de corte afiladas y limpias para lograr un rendimiento mejorado y más seguro. Siga las instrucciones de lubricación y para cambiar accesorios. Compruebe los cables de la herramienta periódicamente y, si presentan daños, encargue su reparación por parte de un centro de servicio autorizado. Compruebe los cables extensores periódicamente y sustitúyalos si están dañados.

Desconexión de las herramientas. Cuando no estén en uso, antes de ponerlas en funcionamiento o a la hora de cambiar accesorios como hojas, brocas o cuchillas, desconecte las herramientas de la toma de corriente.

Retire las llaves de ajuste y las llaves inglesas. Acostúmbrese a comprobar que se han retirado las llaves de ajuste y las llaves inglesas de la herramienta antes de encenderla.

Evite una puesta en marcha intencionada. Asegúrese de que el interruptor está en la posición "off" cuando se vaya a instalar un pack de batería.

Utilice cables extensores para trabajos en exteriores.

Cuando se utilice la herramienta en exteriores, utilice únicamente cables destinados a su uso en exteriores y que estén marcados correspondientemente.

Manténgase alerta. Preste atención a lo que está haciendo, utilice el sentido común y no utilice la herramienta cuando se encuentre cansado.

Antes de utilizarla, compruebe la herramienta en busca de cualquier tiempo de daño o de desgaste en el material. Compruebe la alineación de las piezas móviles, la unión de piezas móviles, la rotura de piezas, el montaje y cualquier otra condición que pudiera afectar a su funcionamiento.

No utilice la máquina si los elementos de protección no están instalados y funcionando correctamente.

Los deterioros deben ser reparados inmediatamente por un taller especializado autorizado. No utilice la herramienta si las posiciones "on" y "off" del interruptor no ponen la herramienta en el estado de funcionamiento correspondiente.

ADVERTENCIA El uso de accesorios o piezas de acoplamiento que no sean las recomendadas en este manual de instrucciones podrían presentar riesgo de lesiones personales.

Encargue la reparación de su herramienta a personas calificadas para ello. Esta herramienta eléctrica cumple con las normativas de seguridad relevantes. Solo personas calificadas y que utilicen piezas de repuesto originales deberán llevar a cabo la reparación de la herramienta, de lo contrario, esto podría derivar en daños considerables al usuario.

INSTRUCCIONES DE SEGURIDAD PARA TRONZADORAS

Sujete siempre la pieza de trabajo firmemente y de forma segura. Asegúrese de que la máquina se encuentre siempre en una posición segura (p. ej. sujetarla en el banco de trabajo).

¡Utilice protección auditiva! La exposición a niveles de ruido excesivos puede causar la pérdida de audición.

Mientras trabaje con la máquina lleve siempre gafas protectoras. Se recomienda llevar guates adecuados para el uso de hojas y materiales romos, así como calzado resistente antideslizante que también proteja los pies frente a la caída de piezas de trabajo desde el área de corte.

Retire siempre el enchufe de la toma de corriente o el pack de batería antes de llevar a cabo cualquier ajuste, trabajo de mantenimiento o de limpieza en la máquina.

Asegúrese de desconectar la máquina antes de instalar o retirar el pack de batería.

No permanezca alineado con la hoja de sierra en frente de la máquina.

Manténgase siempre a un lado de la hoja de sierra.

Mantenga las manos, los dedos y los brazos alejados de la hoja de sierra rotativa.

No acerque nunca la mano al área próxima a la hoja, a menos que la hoja se haya detenido completamente.

Antes de utilizarla, compruebe la herramienta en busca de cualquier tiempo de daño o de desgaste en el material. Las piezas defectuosas sólo pueden ser reparadas por un especialista.

Usar siempre las piezas de protección de la máquina. No utilice la máquina si los elementos de protección no están instalados y funcionando correctamente.

No bloquear la protección automática del disco.

Si se atasca la pieza de trabajo o el disco de la tronadora, apague la tronadora. Espere hasta que todas las partes móviles se hayan detenido y desconecte el enchufe de la toma de corriente y/o retire la batería. Ahora puede comenzar a trabajar para liberar el material atascado.

Nunca altere o modifique la sierra o su funcionamiento. Su seguridad nunca debe comprometerse.

No utilice hojas de sierra que estén fracturadas, dañadas o deformadas.

No emplear hojas de sierra elaboradas de acero de corte rápido.

Utilice únicamente hojas de sierra que estén afiladas. Sustituya las hojas que no esté afiladas por otras nuevas.

Utilice un portahojas o lleve guantes cuando maneje hojas de sierra.

Siempre utilizar las hojas de sierra con las dimensiones correctas y el orificio adecuado.

Las hojas de sierra que no correspondan a los elementos de montaje de ésta, giran excéntricas y pueden hacerle perder el control sobre la sierra.

Utilice únicamente hojas de carpintería, especificadas en este manual, que cumplan con la norma EN 847-1.



No utilice ningún tipo de bridas, arandelas o tuercas que no sean las suministradas o indicadas en este manual de instrucciones para asegurar la hoja de sierra.

Deberá observarse siempre el número de revoluciones máximo indicado en la hoja de la sierra.

Elegir la hoja de sierra adecuada para el material a cortar.

No utilice la tronzoadora para cortar materiales que no sean los especificados en la sección "Uso previsto" de este manual de instrucciones.

Sustituya el inserto de la mesa cuando esté gastado o dañado.

Antes de comenzar con el trabajo, lleve a cabo una prueba de corte sin encender el motor para comprobar la posición de la hoja, el funcionamiento de los elementos de protección con respecto a otras partes de la máquina y la pieza de trabajo.

No quitar restos de aserrado u otras partes de piezas de trabajo del área de aserrado al estar la máquina en funcionamiento y si la cabeza de la sierra no se encuentra en posición inactiva.

Al transportar la máquina, utilice únicamente dispositivos de transporte y no use nunca los elementos de protección para manipular o transportar la máquina.

Transportar la sierra retestadora únicamente con el protector de transporte en el tomadero engatillado.

Mantenga la superficie libre de restos de material como p. ej. virutas y restos de aserrado

Apoyar de forma adecuada la pieza a trabajar.

No deberán cortarse con la sierra piezas de trabajo con perfil redondo o irregular (p. ej. leña), dado que no se pueden sujetar de manera segura. Al cortar de canto con la sierra piezas planas, deberá utilizarse un tope auxiliar adecuado para una guía segura.

El polvo que se produce cuando se usa esta herramienta puede ser perjudicial para la salud. Use un sistema de absorción de polvo y utilice una máscara adecuada de protección contra el polvo. Limpie el polvo depositado, por ejemplo con un aspirador.

En caso de que utilice la sierra para cortar madera, conecte la sierra a una aspiradora de polvo.

No sustituya las luces LED o el láser por otro tipo diferente. Solo el fabricante o un agente de servicio autorizado deberán llevar a cabo cualquier tipo de reparación.

No se pueden emplear hojas de sierra cuyos datos codificados no corresponden a estas instrucciones de manejo.

Las herramientas deben transportarse y almacenarse en un embalaje adecuado;

En el momento de detectar fallas en la máquina, incl. en el dispositivo de seguridad o en las hojas de la sierra, deberán comunicarse las mismas inmediatamente a la persona responsable de la seguridad.

Al realizar cortes en inglete, en bisel o en inglete compuesto, ajuste la guía deslizante para garantizar la holgura correcta de la hoja.

Adapte la velocidad de avance para evitar que se sobrecalienten los dientes de la hoja de sierra y que se derrita el material plástico al cortar el material.

ADVERTENCIA No sustituya el diodo luminoso por otro.

HOJA DE CARPINTERÍA INSTRUCCIONES DE SEGURIDAD

Por favor, lea detenidamente este manual y las instrucciones que contiene antes de utilizar la hoja de sierra y la máquina.

La máquina deben encontrarse en perfecto estado y el husillo no debe presentar deformación o vibración alguna.

No utilice la hoja sin contar con elementos de protección funcionales. Mantenga los elementos de protección en perfecto estado de funcionamiento y sujetos a un mantenimiento adecuado.

Asegúrese de que el operario dispone de la capacitación adecuada en cuanto a precauciones de seguridad, ajuste y operación de la máquina.

Lleve siempre puestas gafas de protección y protectores auditivos al utilizar la máquina. Se recomienda llevar guantes, calzado resistente antideslizante y un delantal.

Antes de utilizar cualquier accesorio, consulte el manual de instrucciones. El uso inadecuado de un accesorio puede causar daños e incrementar el potencial de lesiones.

Utilice únicamente las hojas indicadas en este manual, las cuales cumplen con la norma EN 847-1.

Tenga en cuenta la velocidad máxima indicada en la hoja de sierra. Asegúrese de que la velocidad indicada en la hoja de sierra sea, como mínimo, igual a la velocidad indicada en la sierra.

Siempre utilizar las hojas de sierra con las dimensiones correctas y el orificio adecuado.

Las hojas de sierra que no correspondan a los elementos de montaje de ésta, giran excéntricas y pueden hacerle perder el control sobre la sierra.

No utilice hojas de un diámetro superior o inferior al recomendado. No utilice separadores para hacer que la hoja encaje en el husillo.

Compruebe los dientes de la hoja de sierra en busca de daños o de un aspecto anormal antes de cada uso. Los dientes dañados o sueltos pueden salir despedidos durante el uso e incrementar la probabilidad de lesiones personales.

No usar sequetas rajadas o torcidas. No use hojas de sierra dañadas o deformadas.

Deseche la hoja de sierra si está dañada, deformada, distorsionada o fracturada. No se permite llevar a cabo reparaciones.

No emplear hojas de sierra elaboradas de acero de corte rápido.

Asegúrese de que la hoja de sierra está montada correctamente y apriete la tuerca de husillo firmemente antes de su uso (par de apriete aproximado 12 Nm).

Los tornillos y tuercas de fijación deben apretarse utilizando la llave apropiada, etc.

No se permite utilizar un extensor para la llave o apretar mediante martillazos.

Asegúrese de que la hoja y las bridas de montaje están limpias y que los lados rebajados del cuello se encuentran contra la hoja.

Asegúrese de que la hoja gira en la dirección correcta.

Antes de comenzar con el trabajo, lleve a cabo una prueba de corte sin encender el motor para comprobar la posición de la hoja, el funcionamiento de los elementos de protección con respecto a otras partes de la máquina y la pieza de trabajo.

Nunca deje la máquina desatendida.

No aplique lubricantes sobre la hoja cuando esté girando.



E

Nunca lleve a cabo trabajos de limpieza o mantenimiento cuando la máquina esté en funcionamiento y el cabezal no se encuentre en la posición de reposo.

Nunca intente detener una máquina en movimiento golpeando rápidamente la hoja con una herramienta u otro objeto, de esta forma se pueden provocar accidentes graves de forma inintencionada.

Desconecte la sierra de la fuente de alimentación principal o retire el pack de batería antes de cambiar las hojas o de llevar a cabo trabajos de mantenimiento.

Preste atención al embalar o desembalar la hoja, es fácil cortarse con los dientes afilados de la hoja.

Utilice un portahojas o lleve guantes cuando maneje hojas de sierra.

Mantenga y almacene la hoja en el embalaje original o en otro embalaje adecuado, manténgala en un lugar seco y alejada de productos químicos que pudieran dañar la hoja.

INSTRUCCIONES DE SEGURIDAD LÁSER

La radiación del láser que se utiliza en esta sierra es de Clase 1 con máximo $< 1 \text{ mW}$ y una longitud de onda de 650 nm . No visualizar directamente con instrumentos ópticos. La inobservancia de estas normas puede derivar en lesiones personales serias.

No mire directamente al haz de luz láser durante el funcionamiento.

No proyecte el haz de luz láser directamente a los ojos de otra persona. Esto puede derivar en lesiones oculares.

No sitúe el láser en una posición que pudiera provocar que alguien mire intencionada o inintencionadamente al haz de luz láser.

No utilice instrumentos ópticos para visualizar el haz de luz láser.

No haga funcionar el láser en presencia de niños ni les permita utilizar el láser.

No intente reparar el dispositivo láser por sí mismo.

No intente sustituir ninguna de las piezas del dispositivo láser por sí mismo.

Solo el fabricante o un agente de servicio autorizado deberán llevar a cabo cualquier tipo de reparación.

ADVERTENCIA No sustituya el láser original por uno de otro tipo.

No dirija el láser hacia superficies reflectantes.

No se exponga a la radiación láser. El láser puede emitir una radiación intensa.

APLICACIÓN DE ACUERDO A LA FINALIDAD

La tronzadora oscilante está destinada a cortar madera sólida o ligada (con o sin recubrimiento encolado), plásticos y materiales similares a la madera.

La tronzadora oscilante está destinada a ser utilizada exclusivamente por parte de operarios adultos que hayan leído el manual de instrucciones y que entiendan los riesgos y peligros.

La tronzadora oscilante está diseñada para fijarse en su base a la parte superior de un banco de trabajo. Si la base no está fijada de forma segura, la máquina en su totalidad podría moverse durante las operaciones de corte, lo que incrementa la posibilidad de lesiones personales serias.

La tronzadora oscilante está diseñada para cortes de bisel y a inglete. Las capacidades para los distintos cortes se proporcionan en las especificaciones del producto disponibles en el presente manual.

La tronzadora oscilante debe utilizarse en seco, con una iluminación ambiental excelente y con una ventilación adecuada.

La tronzadora oscilante está destinada para el uso a nivel de consumidor, solo debe utilizarse según se describe más arriba y no está destinada para ningún otro tipo de finalidad.

PELIGROS RESIDUALES

Incluso si la tronzadora oscilante se utiliza para su uso prescrito, seguirá siendo imposible eliminar completamente ciertos factores de riesgo residuales. Pueden surgir los siguientes peligros y el operario debería prestar especial atención para evitarlos:

- Riesgo de contacto con partes no cubiertas de la hoja de sierra en rotación.
- Retroceso de las piezas de trabajo o partes de las piezas de trabajo a causa de un ajuste o manipulación inadecuados.
- Eyección a altas velocidades de los dientes de carburo defectuosos de la hoja de sierra. Llevar protección ocular en todo momento.
- Daños al sistema respiratorio. Llevar máscaras de protección respiratoria que contengan filtros apropiados para los materiales con los que se está trabajando. Asegurar una ventilación adecuada del área de trabajo. No comer, beber o fumar en el área de trabajo.
- Daños auditivos si no lleva puesta una protección auditiva funcional.

ADVERTENCIA Los vapores de ciertas pinturas, revestimientos y materiales pueden causar irritaciones o reacciones alérgicas. El polvo de maderas como el roble, la haya, tableros DM y otras son carcinogénicas. Solo operarios especializados y cualificados deberán trabajar con o procesar materiales que contengan amianto.

ADVERTENCIA Pueden producirse o agravarse las lesiones por el uso prolongado de una herramienta. Al utilizar cualquier tipo de herramienta por períodos prolongados, asegúrese de que hace pausas periódicamente.

BATERIA

Las baterías no utilizadas durante cierto tiempo deben ser recargadas antes de usar.

Las temperaturas superiores a 50°C reducen el rendimiento de la batería. Evite una exposición excesiva a fuentes de calor o al sol (riesgo de sobrecalentamiento).

Los puntos de contacto de los cargadores y las baterías se deben mantener limpios.

Para un tiempo óptimo de vida, deberán cargarse las baterías completamente después de su uso.

Para garantizar la máxima capacidad y vida útil, las baterías recargables se deberían retirar del cargador una vez finalizada la carga.

En caso de almacenar la batería recargable más de 30 días: Almacenar la batería recargable en un lugar seco a una temperatura de aproximadamente 27°C . Almacenar la batería recargable con un estado de carga del 30% y 50% aproximadamente. Recargar la batería cada 6 meses.

En caso de sobrecarga o alta temperatura, pueden llegar a producirse escapes de ácido provenientes de la batería. En caso de contacto con éste, limpie inmediatamente la zona con agua y jabón. Si el contacto es en los ojos, límpiense concienzudamente con agua durante 10 minutos y acuda inmediatamente a un médico. No almacene la batería con objetos metálicos (riesgo de cortocircuito).

No tire las baterías usadas a la basura ni al fuego. Los Distribuidores AEG ofrecen un servicio de recogida de baterías antiguas para proteger el medio ambiente.



BATERÍA Y CARGADOR

Pack de batería compatible (no incluido): System GBS

Cargador compatible(no incluido): System GBS

Recargar solamente los acumuladores del Sistema GBS en cargadores GBS. No intentar recargar acumuladores de otros sistemas.

TRANSPORTE DE BATERÍAS DE IONES DE LITIO

Las baterías de iones de litio caen bajo las disposiciones legales relativas al transporte de mercancías peligrosas.

El transporte de estas baterías recargables debe llevarse a cabo, observando las normas y disposiciones locales, nacionales e internacionales.

Los consumidores pueden transportar estas baterías recargables sin el menor reparo en la calle.

El transporte comercial de baterías recargables de iones de litio por empresas de transportes está sometido a las disposiciones del transporte de mercancías peligrosas. Las preparaciones para el envío y el transporte deben ser llevados a cabo exclusivamente por personas instruidas adecuadamente. El proceso completo debe ser supervisado por personal competente.

Los siguientes puntos se deben observar para el transporte de las baterías recargables:

Se debe asegurar que los contactos estén protegidos y aislados para evitar que se produzcan cortocircuitos. Preste atención a que el conjunto de baterías recargables no se pueda desplazar dentro del envase. Las baterías recargables deterioradas o derramadas no se deben transportar. Rogamos que para cualquier información adicional se dirija a su empresa de transportes.

PROTECCIÓN CONTRA SOBRECARGA DE LA BATERÍA

En caso de sobrecarga de la batería a causa de un consumo de corriente demasiado elevado, por ejemplo, en momentos de torsión extremadamente altos, de una parada o cortocircuito repentinos; el aparato eléctrico vibra durante 5 segundos, el indicador de carga parpadea y el aparato eléctrico se desconecta automáticamente. Para conectarlo de nuevo, soltar el botón de encendido y después conectarlo otra vez.

Bajo cargas extremas la batería se calienta demasiado. En este caso, todas las luces del indicador de carga parpadean hasta que la batería se enfría. Cuando se apaga el indicador de carga se puede trabajar de nuevo.

Meta entonces la batería en el cargador para recargarla otra vez y activarla.

MANTENIMIENTO

No modifique esta sierra en forma alguna ni utilice accesorios que no estén autorizados por el fabricante. Se podría comprometer su seguridad y la de terceros.

No utilice la sierra si algún interruptor, elemento de protección o cualquier otra función de esta sierra no funciona de conformidad con su uso previsto. Devuélvala a un centro de servicio autorizado para llevar a cabo una reparación o un ajuste profesional.

No efectúe ningún tipo de ajustes mientras la hoja de sierra esté en movimiento.

Retire el pack de batería antes de efectuar ajustes, de lubricar o cuando vaya a llevar a cabo cualquier tipo de trabajo de mantenimiento en la máquina.

Antes y después de cada uso, compruebe su sierra en busca de daños o piezas rotas, y manténgala en perfectas condiciones de funcionamiento sustituyendo inmediatamente las piezas por piezas de repuesto autorizadas por el fabricante.

Las hoja está muy caliente después del uso, lleve puestos guates o permita que la hoja se enfríe antes de llevar a cabo trabajos de mantenimiento o limpieza.

Limpie el polvo acumulado utilizando un cepillo o una aspiradora. No utilice aire comprimido.

Para asegurar la seguridad y la fiabilidad, todas las reparaciones, incluidas el cambio de cepillos, deben ser llevadas a cabo por un centro de servicio autorizado.

Asegúrese de desconectar la herramienta de la fuente de alimentación antes de ajustar o retirar la hoja de sierra.

Limpie la herramienta y el dispositivo protector con un paño seco.

Las ranuras de ventilación de la máquina deben estar despejadas en todo momento.

PIEZAS DE REPUESTO

Solo se deben utilizar accesorios y piezas de repuestos AEG. Piezas cuyo recambio no está descrito en las instrucciones de uso, deben sustituirse en un centro de asistencia técnica AEG (Consulte el folleto Garantía/Direcciones de Centros de Asistencia Técnica).

En caso necesario, puede solicitar un despiece de la herramienta. Por favor indique el número de impreso que hay en la etiqueta y pida el despiece a la siguiente dirección: Techtronic Industries GmbH, Max-Eyth-Straße 10, 71364 Winnenden, Germany.

DECLARACION DE CONFORMIDAD CE

Declaramos bajo nuestra única responsabilidad que el producto descrito bajo „Datos técnicos“ cumple todas las disposiciones pertinentes de las directivas

2011/65/UE

2006/42/CE

2014/30/UE

y que se han implementado y estándares

EN 61029-1:2009 + A11:2010

EN 61029-2-9:2012 + A11:2013

EN 55014-1:2006+A1:2009+A2:2011

EN 55014-2: 1997+A1:2001+A2:2008

EN 50581:2012



Winnenden, 2016-12-02

Alexander Krug / Managing Director

Autorizado para la redacción de los documentos técnicos.

Techtronic Industries GmbH

Max-Eyth-Straße 10, 71364 Winnenden, Germany

SÍMBOLOS



¡ATENCIÓN! ;ADVERTENCIA! ;PELIGRO!



Retire la batería antes de comenzar cualquier trabajo el aparato.



Lea las instrucciones detenidamente antes de conectar la herramienta



Para trabajar con la máquina, utilizar siempre gafas de protección.



Usar protectores auditivos!



Usar guantes protectores



Tornillo de apertura / Dirección de rotación



No introduzca jamás las manos en el área de la hoja de la sierra.



Sólo para uso en interiores



No mire hacia la luz láser



This product corresponds to the laser class 1 in accordance with EN 60825-1:2014.



Disco de sierra - \varnothing x orificio \varnothing



Dirección de rotación



dientes de la hoja



Anchura de roza



Los aparatos eléctricos no se deben eliminar junto con la basura doméstica. Los aparatos eléctricos y electrónicos se deben recoger por separado y se deben entregar a una empresa de reciclaje para una eliminación respetuosa con el medio ambiente. Infórmese en las autoridades locales o en su tienda especializada sobre los centros de reciclaje y puntos de recogida.



Marca CE



Certificado UkrSEPRO de conformidad



Certificado EAC de conformidad



CARACTERÍSTICAS TÉCNICAS Serra de Esquadrilhas *	BPS18-254BL
Número de produção	4601 74 01... ... 000001-999999
Tensão do acumulador	18 V
Velocidade em vazio	3900 min ⁻¹
Ø de disco x Ø da furação	254 x 30 mm
Espessura do corpo da serra	1,6 mm
Espessura dos dentes da serra	2,2 mm
Potência de corte máx. Esquadria 0°/ Inclinção 0° Esquadria 0°/ Inclinção 45° ↘ Esquadria 0°/ Inclinção 45° ↘ Esquadria ↘45°/ Inclinção 0° Esquadria ↘45°/ Inclinção 0° Esquadria 45°/ Inclinção 45° ↘ Esquadria 45°/ Inclinção 45° ↘	90 mm x 305 mm 39 mm x 305 mm 43 mm x 305 mm 90 mm x 215 mm 50 mm x 215 mm 39 mm x 215 mm 43 mm x 215 mm
Dimensões mín. da peça de trabalho	215 x 35 x 2,5 mm
Peso nos termos do procedimento-EPTA 01/2003 (Li-Ion 5.0 Ah)	16,3 kg
Informações sobre ruído Valores de medida de acordo com EN 61029. O nível de ruído avaliado A do aparelho é tipicamente: Nível da pressão de ruído (Incertez K=3dB(A)) Nível da potência de ruído (Incertez K=3dB(A))	89,0 dB (A) 98,5 dB (A)
Use protectores auriculares! Informações sobre vibração Valores totais de vibração (soma dos vectores das três direcções) determinadas conforme EN 61029. Serrar madeira: Valor de emissão de vibração a _h Incerteza K=	1,1 m/s ² 1,5 m/s ²

* PS Δ Serra de Esquadrilhas

ATENÇÃO!

O nível vibratório indicado nestas instruções foi medido em conformidade com um procedimento de medição normalizado na EN 61029 e pode ser utilizado para comparar entre si ferramentas eléctricas. O mesmo é também adequado para avaliar provisoriamente o esforço vibratório.

O nível vibratório indicado representa as principais aplicações da ferramenta eléctrica. Se, no entanto, a ferramenta eléctrica for utilizada para outras aplicações, com outras ferramentas adaptadas ou uma manutenção insuficiente, o nível vibratório poderá divergir. Isto pode aumentar consideravelmente o esforço vibratório ao longo de todo o período do trabalho.

Para uma avaliação exacta do esforço vibratório devem também ser considerados os tempos durante os quais o aparelho está desligado ou está a funcionar, mas não está efectivamente a ser utilizado. Isto pode reduzir consideravelmente o esforço vibratório ao longo de todo o período do trabalho.

Defina medidas de segurança suplementares para proteger o operador do efeito das vibrações, como por exemplo: manutenção da ferramenta eléctrica e das ferramentas adaptadas, manter as mãos quentes, organização das sequências de trabalho.

⚠ ATENÇÃO Leia todas as instruções de segurança e todas as instruções. O desrespeito das advertências e instruções apresentadas abaixo pode causar choque eléctrico, incêndio e/ou graves lesões.

Guarde bem todas as advertências e instruções para futura referência.

AVISOS DE SEGURANÇA GERAIS

⚠ ATENÇÃO

Na utilização de ferramentas eléctricas, as instruções de segurança básicas sempre devem ser observadas para reduzir o risco de incêndio, choque eléctrico e feridas. Leia todas as instruções antes de usar esta ferramenta eléctrica e guarde estas instruções.

Mantenha a área de trabalho desimpedida. Áreas e bancas desorganizadas constituem um convite para as lesões.

Leve em conta o ambiente da área de trabalho. Não exponha as ferramentas à chuva. Não utilize as ferramentas em locais húmidos ou molhados. Mantenha a área de trabalho bem iluminada. Não utilize as ferramentas na presença de gases ou líquidos inflamáveis.

Atenção! Perigo de choque eléctrico. Evite tocar partes aterradas, como tubos, radiadores, fogões ou frigoríficos.

Mantenha as outras pessoas afastadas. Não permita que outras pessoas não relacionadas com o trabalho, principalmente crianças, toquem na ferramenta ou no cabo de extensão, e mantenha-os afastados da área de trabalho.

Guarde as ferramentas que não estiverem a ser utilizadas. Quando não estiverem a ser utilizadas, as ferramentas devem ser guardadas num espaço seco, trancado e fora do alcance das crianças.

Utilize a ferramenta adequada. Não force ferramentas pequenas a fazerem o trabalho de uma ferramenta própria para serviços pesados.

Vista-se adequadamente. Não use roupas largas nem joias, uma vez que podem ficar presas nas peças móveis.

Utilize equipamento de proteção. Utilize óculos de segurança. Se os trabalhos derem origem a pó, utilize uma máscara de proteção do rosto ou uma máscara anti-poeira.

Nunca puxe o cabo para tirar a ficha da tomada. Mantenha o cabo afastado de calor, óleo e arestas aguçadas.

Fixe a peça de trabalho. Sempre que possível, utilize grampos ou um torno para segurar a peça de trabalho. É mais seguro do que utilizar a sua mão.

Não se debruce demais e mantenha sempre o equilíbrio.

Seja cuidadoso na manutenção das ferramentas. Mantenha as ferramentas de corte afiadas e limpas, para que o seu desempenho seja melhor e mais seguro. Siga as instruções referentes à lubrificação e troca de acessórios. Verifique periodicamente os cabos da ferramenta. Se estiverem danificados, mande repará-los num estabelecimento de serviço autorizado. Verifique periodicamente os cabos de extensão e substitua os mesmos se estiverem danificados.

Desligue as ferramentas. Quando não estiverem a ser utilizadas, antes de serem submetidas a manutenção e quando trocar de acessórios tais como lâminas, brocas e fresas, desligue as ferramentas da fonte de alimentação.

Remova as chaves de ajuste e chaves-inglesas. Crie o hábito de verificar se as chaves de ajuste foram removidas da ferramenta, antes de ligar a mesma.

Ao instalar a bateria, certifique-se de que o interruptor está na posição de “desligado”.

Utilize cabos de extensão para exterior. Quando a ferramenta for utilizada ao ar livre, utilize apenas cabos de extensão adequados para exterior e marcados como tal.

Mantenha-se alerta. Tenha cuidado com o que está a fazer, use o seu bom senso e não utilize a ferramenta quando se sentir cansado.

Antes da utilização, verifique cuidadosamente a ferramenta relativamente a quaisquer danos ou desgaste do material. Verifique o alinhamento das partes móveis, a união das peças móveis, a quebra de peças, a montagem e quaisquer outras condições que possam afetar a sua operação.

Se as proteções não estiverem no sítio e a funcionar corretamente, não utilize a máquina.

Deixe uma oficina especializada reparar os danos imediatamente. Não utilize a ferramenta se o interruptor não a ligar e desligar.

ATENÇÃO A utilização de qualquer acessório ou encaixe para além dos recomendados no manual de instruções pode representar risco de danos pessoais.

Mande reparar a sua ferramenta a alguém devidamente qualificado. Esta ferramenta elétrica encontra-se em conformidade com as normas de segurança pertinentes. As reparações devem ser efetuadas por pessoas qualificadas, utilizando peças de reposição originais. Caso contrário, poderão resultar em perigo considerável para o utilizador.

INSTRUÇÕES DE SEGURANÇA PARA SERRAS CIRCULARES

Fixe sempre a peça de trabalho com segurança e firmeza.

Assegure-se que a máquina sempre esteja numa posição segura (por exemplo fixação na bancada de trabalho)..

Sempre use a protecção dos ouvidos. Os ruídos podem causar surdez.

Durante os trabalhos com a máquina, usar sempre óculos de protecção. É recomendável calçar luvas para manusear as lâminas e o material em bruto, bem como calçado antiderrapante e resistente,

que também protege os pés de peças que possam cair da área de corte.

Antes de realizar qualquer ajuste, manutenção ou limpeza na máquina, retire sempre a bateria ou a ficha da tomada.

Antes de instalar ou remover a bateria, certifique-se de que a máquina está desligada.

Não fique em linha com a lâmina da serra em frente à máquina.

Fique sempre ao lado da lâmina da serra.

Mantenha as mãos, dedos e braços afastados da lâmina da serra rotativa.

A menos que a lâmina esteja completamente parada, nunca tente chegar à área perto da mesma.

Antes da utilização, verifique cuidadosamente a ferramenta relativamente a quaisquer danos ou desgaste do material. Deixe um especialista reparar as peças danificadas.

Nunca utilize a máquina sem dispositivo de protecção. Se as proteções não estiverem no sítio e a funcionar corretamente, não utilize a máquina.

Não bloquear a cobertura de protecção giratória.

Se a peça ou a lâmina encravarem, desligue a serra circular. Espere que todas as partes em movimento parem e desligue a ficha da fonte de alimentação elétrica e/ou retire a bateria. Depois, liberte o material encravado.

Nunca altere nem modifique a serra ou a sua função. A sua segurança pode ficar comprometida.

Não utilize lâminas de serra que se encontrem rachadas, danificadas ou deformadas.

Não utilize folhas de serra fabricadas de aço rápido.

Utilize apenas lâminas afiadas. Substitua as lâminas cegas por novas.

Quando estiver a manusear uma lâmina de serra, utilize um porta-lâminas ou calce luvas.

Utilize sempre lâminas de serra com o tamanho correcto e com orifício de admissão de forma apropriada.

Lâminas de serra que não servem para as peças de montagem da serra, não giram irregularmente e levam à perda do controle.

Utilize apenas as lâminas para madeira especificadas neste manual, as quais se encontram em conformidade com a EN 847-1.

Não utilize flanges, anilhas e porcas para fixar a lâmina da serra além das fornecidas ou indicadas no manual de instruções.

Observe o número de rotações máximo, indicado na folha de serra. Seleccione uma folha de serra apropriada para o material a cortar.

Nunca utilize a serra de esquadria para cortar outros materiais diferentes dos que se encontram especificados na secção “utilização prevista” deste manual.

Substitua o encaixe da mesa quando estiver gasto ou danificado.

Antes de começar a trabalhar, faça uma simulação de corte sem ter o motor ligado, a fim de poder verificar a posição da lâmina, a operacionalidade das proteções em relação às outras partes da máquina e a peça de trabalho.

Não remova os resíduos de serração e outras partes de materiais da área de serração quando a máquina estiver a operar e a cabeça de serra não estiver na posição de repouso.

Ao transportar a máquina, utilize apenas dispositivos de transporte e nunca utilize as proteções para fins de manuseio ou transporte.

Só transporte a serra de corte com dispositivo de transporte engatado no punho.

Mantenha o piso livre de resíduos de material, por exemplo aparas ou resíduos de serração.

Materiais compridos deverão ser suportados apropriadamente.



Por

Materiais com secção transversal redonda ou irregular (por exemplo lenha) não devem ser serrados, pois não é possível segurá-los seguramente na serração. Na serração de canto de materiais planos, um encosto auxiliar apropriado deve ser usado para guiar o material seguramente.

A poeira gerada ao trabalhar com esta ferramenta pode ser perigosa para a saúde e por isso não deve atingir o corpo. Utilize um sistema de absorção de poeiras e use uma máscara de protecção. Retire completamente a poeira depositada, por exemplo com um aspirador.

Ao serrar madeira, conecte a serra a um aspirador de pó.

Não substitua o LED ou laser por um tipo diferente. Todas as reparações deverão ser efetuadas pelo fabricante ou por um agente de serviço autorizado.

É inadmissível a utilização de discos de serra que não correspondam às características especificadas nestas instruções de serviço.

As ferramentas devem ser transportadas e guardadas num receptáculo adequado;

Erros na máquina, inclusive do dispositivo de protecção ou das folhas de serra deverão ser comunicadas à pessoa responsável pela segurança, logo que forem detectados.

Ao efetuar cortes em ângulo, em bisel ou em ângulo compostos, ajustar a barreira deslizante para assegurar a distância correta da lâmina.

Ajuste a velocidade de avanço para evitar um sobreaquecimento dos dentes das folhas de serra e a fundição do material plástico durante o corte.

ATENÇÃO Não substitua o LED por outro.

LÂMINA DE CORTE PARA MADEIRA INSTRUÇÕES DE SEGURANÇA

Por favor, antes de utilizar a máquina e a lâmina da serra, leia cuidadosamente o manual de instruções.

A máquina deve estar em boas condições e o eixo não deve apresentar deformações nem vibrações.

Não utilize a serra sem que as proteções estejam no sítio. Mantenha as proteções em bom estado de funcionamento e devidamente conservadas.

Certifique-se de que o operador tem formação adequada relativamente aos cuidados de segurança, ao ajuste e à operação da máquina.

Quando utilizar a máquina, use sempre óculos de proteção e protetores auriculares. Recomenda-se que use luvas, calçado antiderrapante resistente e avental.

Antes de utilizar qualquer acessório, consulte o manual de instruções. A utilização indevida de um acessório pode provocar danos e aumentar a possibilidade de lesões.

Utilize apenas as lâminas especificadas neste manual, em conformidade com a EN 847-1.

Respeite a velocidade máxima inscrita na lâmina da serra.

Certifique-se de que a velocidade inscrita na lâmina da serra é pelo menos igual à velocidade indicada na serra.

Utilize sempre lâminas de serrar com o tamanho correcto e com orifício de admissão de forma apropriada.

Lâminas de serra que não servem para as peças de montagem da serra, não giram irregularmente e levam à perda do controle.

Não utilize lâminas de diâmetro superior ou inferior ao recomendado. Não utilize espaçadores para ajustar a lâmina ao eixo.

Antes de cada utilização, verifique se as pontas da lâmina da serra têm danos ou aspeto anormal. Ao serem utilizadas, as pontas danificadas ou soltas podem converter-se em projéteis e aumentar a possibilidade de lesões pessoais.

Não utilizar lâminas de corte fissuradas ou deformadas. Não use folhas de serra danificadas ou deformadas.

Se a lâmina da serra estiver danificada, deformada, distorcida ou rachada, descarte-a para sucata. A reparação não é permitida.

Não utilize folhas de serra fabricadas de aço rápido.

Certifique-se de que a lâmina da serra é montada corretamente.

Antes de a utilizar, aperte a porca do eixo com firmeza (aprox. 12 Nm de torque).

As porcas e parafusos de fixação devem ser apertados utilizando a chave adequada, etc.

Não é permitido alargar ou apertar a chave inglesa à martelada.

Certifique-se de que a lâmina e as flanges estão limpas e de que os lados rebaxados do colar ficam contra a lâmina.

Certifique-se de que a lâmina gira na direção certa.

Antes de começar a trabalhar, faça uma simulação de corte sem ter o motor ligado, a fim de poder verificar a posição da lâmina, a operacionalidade das proteções em relação às outras partes da máquina e a peça de trabalho.

Nunca deixe a máquina sem vigilância.

Não aplique lubrificantes na lâmina quando estiver em funcionamento.

Nunca faça nenhuma limpeza ou trabalhos de manutenção, enquanto a máquina ainda estiver a funcionar e enquanto a cabeça não estiver na posição de descanso.

Nunca tente parar rapidamente uma máquina em movimento encravando uma ferramenta ou outro objeto contra a lâmina.

Esta forma, involuntariamente, poderão ser provocados acidentes graves.

Desligue a serra da tomada elétrica ou retire a bateria antes de trocar as lâminas ou efetuar a manutenção.

Preste atenção ao embalar e desembalar a lâmina. É fácil ser ferido pelas pontas afiadas da mesma.

Quando estiver a manusear uma lâmina de serra, utilize um porta-lâminas ou calce luvas.

Mantenha e guarde a lâmina na embalagem original ou noutra embalagem adequada, armazenando-a num espaço isento de humidade e afastado de produtos químicos que possam danificá-la.

INSTRUÇÕES DE SEGURANÇA LASER

A radiação laser utilizada nesta serra é de Classe 1, com um máximo de < 1 mW e 650 nm de comprimentos de onda. Não olhe diretamente através de instrumentos óticos. O incumprimento das regras pode resultar em lesões pessoais graves.

Não olhe para o feixe durante a operação.

Não projete o raio laser diretamente para os olhos dos outros. Poderão ocorrer ferimentos oculares graves.

Não coloque o laser numa posição que possa fazer com que alguém olhe diretamente para o mesmo intencionalmente ou inadvertidamente.

Não utilize ferramentas óticas para visualizar o feixe de laser.

Não opere o laser perto de crianças nem permita que crianças operem o laser.

Não tente reparar o dispositivo de laser você mesmo.

Não tente trocar nenhuma peça do dispositivo de laser você mesmo. Todas as reparações deverão ser efetuadas pelo fabricante ou por um agente de serviço autorizado.

ATENÇÃO Não substituir o laser montado por um laser de outro tipo.

Não apontar o laser para superfícies reflectoras.

Não se expor ao raio laser. O laser pode emitir forte radiação.



Por

UTILIZAÇÃO AUTORIZADA

A serra de esquadria destina-se a serrar madeira sólida e aglomerada com ou sem folheado colado, plásticos e materiais semelhantes a madeira.

A serra de esquadria destina-se a ser utilizada apenas por operadores adultos, que tenham lido o manual de instruções e compreendido os riscos e perigos.

A serra de esquadria destina-se a ser fixada na base a um tampo de bancada maciça. Se a base não for fixada com firmeza, a máquina, na sua totalidade, poderá movimentar-se durante as operações de corte, o que aumenta a possibilidade de ocorrência de lesões graves.

A serra de esquadria foi concebida para fazer cortes em chanfradura e esquadria. As capacidades referentes aos vários cortes encontram-se nas especificações de produto do presente manual.

A serra de esquadria deve ser utilizada em condições isentas de humidade, com excelente iluminação ambiente e com ventilação adequada.

A serra de esquadria destina-se a ser utilizada pelo consumidor, só deve ser utilizada conforme se descreve acima e não se destina a nenhuma outra finalidade.

RISCOS RESIDUAIS

Mesmo quando a serra de esquadria for utilizada conforme prescrito, ainda assim é impossível eliminar por completo certos fatores de risco residuais. Os perigos que passamos a descrever poderão surgir, pelo que o operador deverá manter-se especialmente atento no sentido de evitar o seguinte:

- Risco de contacto com as partes descobertas da lâmina da serra circular.
- Ricochete de peças ou partes de peças de trabalho devido a manipulação ou ajuste inadequados.
- Projeção de pontas defeituosas de carboneto da lâmina da serra. Utilize sempre óculos de proteção.
- Danos no sistema respiratório. Utilize máscaras de proteção respiratória contendo filtros adequados para os materiais nos quais estiver a trabalhar. Certifique-se de que tem ventilação adequada no espaço de trabalho. Não coma, beba ou fume na área de trabalho.
- Se não for utilizada proteção auditiva eficaz, poderão ocorrer danos de audição.

ATENÇÃO O pó proveniente de determinadas tintas, revestimentos e materiais pode provocar irritações ou reações alérgicas. O pó proveniente de madeiras tais como carvalho, faia, MDF e outros é cancerígeno. Os materiais que contenham amianto devem ser trabalhados ou processados exclusivamente por operadores especialistas qualificados.

ATENÇÃO A utilização prolongada de uma ferramenta pode provocar ou agravar lesões. Ao utilizar qualquer ferramenta por períodos prolongados, certifique-se de que faz pausas regulares.

ACUMULADOR

Acumuladores não utilizados durante algum tempo devem ser recarregados antes da sua utilização.

Temperaturas acima de 50°C reduzem a capacidade do bloco acumulador. Evitar exposição prolongada ao sol ou a caloríferos.

Manter limpos os contactos eléctricos no carregador e no bloco acumulador.

Para uma vida útil óptima das baterias, terá que carregá-las plenamente após a sua utilização.

Para assegurar uma vida útil longa, o pacote de bateria deve ser removido da carregadora depois do carregamento.

Se o pacote de bateria for armazenado por mais de 30 dias: Armazene o pacote de bateria com aprox. 27°C em um lugar seco. Armazene o pacote de bateria com aprox. 30%-50% da carga completa. Carregue o pacote de bateria novamente de 6 em 6 meses.

Em caso de cargas ou temperaturas extremas, um acumulador de substituição danificado poderá verter líquido de bateria. Se entrar em contacto com este líquido, deverá lavar-se imediatamente com água e sabão. Em caso de contacto com os olhos, enxágue-os bem e de imediato durante pelo menos 10 minutos e consulte um médico o mais depressa possível.

Não guardar acumuladores junto com objectos metálicos (perigo de curto-circuito).

Não queimar acumuladores gastos nem deitá-los no lixo doméstico. A AEG possui uma eliminação de acumuladores gastos que respeita o meio ambiente.

BATERIA E CARREGADOR

Bateria compatível (não incluídos): System GBS

Carregador compatível (não incluídos): System GBS

Use apenas carregadores do Sistema GBS para recarregar os acumuladores do Sistema GBS. Não utilize acumuladores de outros sistemas.

TRANSPORTE DE BATERIAS DE IÃO-LÍTIU

Baterias de ião-lítio estão sujeitas às disposições da legislação relativa às substâncias perigosas.

O transporte destas baterias deve ser efetuado de acordo com as disposições e os regulamentos locais, nacionais e internacionais.

O utilizador pode efetuar o transporte rodoviário destas baterias sem restrições.

O transporte comercial de baterias de ião-lítio por terceiros está sujeito aos regulamentos relativos às substâncias perigosas. A preparação do transporte e o transporte devem ser executados exclusivamente por pessoas instruídas e o processo deve ser acompanhado pelos especialistas correspondentes.

Observe o seguinte no transporte de baterias:

Assegure-se de que os contactos terminais estejam protegidos e isolados para evitar um curto-circuito. Assegure-se de que o bloco da bateria esteja protegido contra movimentos na embalagem. Não transporte baterias danificadas ou que tenham fuga. Para instruções mais detalhadas consulte a companhia de transportes

PROTEÇÃO DE SOBRECARGA DE BATERIA

No caso de sobrecarga da bateria devido a um consumo de corrente demasiado elevado, por exemplo um binário de rotação extremamente elevado, uma paragem repentina ou um curto-circuito, a ferramenta eléctrica vibra durante 5 segundos, o indicador de carregamento de bateria começa a piscar e a ferramenta eléctrica desliga-se automaticamente.

Para a ligar novamente, desligar e voltar a ligar o interruptor. Sob condições extremas, a bateria aquece demasiado. Nesse caso, todas as luzes do indicador de carregamento de bateria piscam até que esta arrefeça. Após as luzes do indicador de carregamento de bateria se apagarem, pode-se continuar a trabalhar.

Voltar então a colocar o acumulador no carregador para o carregar de novo e para assim o activar.

MANUTENÇÃO

Não modifique esta serra de nenhuma forma nem utilize acessórios que não tiverem sido aprovados pelo fabricante. A sua segurança e a dos outros poderá ser comprometida.

Não utilize a serra se verificar que algum interruptor, proteção ou outra função da mesma não trabalha como deveria trabalhar.



Por

Devolva-a a um centro de assistência autorizado para ser submetida a reparação ou ajuste profissional.

Não faça nenhuns ajustes enquanto a lâmina estiver em movimento.

Antes de fazer ajustes, lubrificações ou qualquer manutenção na máquina, remova a bateria.

Antes e depois de cada utilização, inspecione a sua serra para detetar se existem danos ou peças partidas e mantenha-a em perfeito estado de funcionamento, substituindo as peças, imediatamente por peças de reposição aprovadas pelo fabricante.

Após a utilização, a lâmina fica muito quente. Utilize luvas ou deixe-a arrefecer antes de efetuar a manutenção ou limpeza.

Limpe o pó acumulado com uma escova ou um aspirador. Não utilize ar comprimido.

A fim de garantir a segurança e fiabilidade, todas as reparações, incluindo a substituição de escovas, deverão ser realizadas por um centro de serviços de assistência autorizado.

Certifique-se que desliga a ferramenta da rede eléctrica antes de instalar ou remover a lâmina serra.

Limpe o aparelho e o dispositivo de protecção com um pano seco. Manter desobstruídos os rasgos de ventilação na carcaça da máquina.



Por

PEÇAS DE SUBSTITUIÇÃO

Utilizar unicamente acessórios e peças sobressalentes da AEG. Sempre que a substituição de um componente não tenha sido descrita nas instruções, será de toda a conveniência mandar executar esse trabalho a um Serviço de Assistência AEG (veja o folheto Garantia/Endereços de Serviços de Assistência).

A pedido e mediante indicação da referência que consta da chapa de características da máquina, pode requerer-se um desenho exposto da ferramenta eléctrica a: Techtronic Industries GmbH, Max-Eyth-Straße 10, 71364 Winnenden, Germany.

DECLARAÇÃO DE CONFORMIDADE CE

Declaramos, sob a nossa inteira responsabilidade, que o produto descrito em «Dados Técnicos» cumpre todas as disposições relevantes das diretivas

2011/65/UE

2006/42/CE

2014/30/UE

sendo sido seguidas as seguintes normas harmonizadas

EN 61029-1:2009 + A11:2010

EN 61029-2-9:2012 + A11:2013

EN 55014-1:2006+A1:2009+A2:2011

EN 55014-2: 1997+A1:2001+A2:2008

EN 50581:2012



Winnenden, 2016-12-02

Alexander Krug / Managing Director
Autorizado a reunir a documentação técnica.

Techtronic Industries GmbH
Max-Eyth-Straße 10, 71364 Winnenden, Germany

SYMBOLS



ATENÇÃO! PERIGO!



Antes de efectuar qualquer intervenção o aparelho retirar o bloco acumulador.



Leia atentamente o manual de instruções antes de colocar a máquina em funcionamento.



Usar sempre óculos de protecção ao trabalhar com a máquina.



Use protectores auriculares!



Use luvas de protecção!



Parafuso aberto / Sentido de rotação



Nunca coloque as mãos na área da folha de serra.



O aparelho destina-se unicamente a ser utilizado em trabalhos interiores; não exponha o aparelho à chuva.



Não olhar para o raio laser



This product corresponds to the laser class 1 in accordance with EN 60825-1:2014.



Ø30 mm
Ø254 mm
Ø de disco x Ø da furação



Sentido de rotação



dentes da lâmina



Largura de corte



Aparelhos eléctricos não devem ser jogados no lixo doméstico. Aparelhos eléctricos e electrónicos devem ser colectados separadamente e entregues a uma empresa de reciclagem para a eliminação correcta. Solicite informações sobre empresas de reciclagem e postos de colecta de lixo das autoridades locais ou do seu vendedor autorizado.



Marca CE



Marca de conformidade UkrSEPRO.



Marca de conformidade EurAsian.

TECHNISCHE GEGEVENS Afkortzaagmachine *	BPS18-254BL
Productienummer	4601 74 01... ... 000001-999999
Spanning wisselakku	18 V
Onbelast toerental	3900 min ⁻¹
Zaagblad ø x boring ø	254 × 30 mm
Dikte de behuizing voor het zaagblad	1,6 mm
Dikte van de zaagtanden	2,2 mm
Knipvermogen max. Verstek 0°/ afschuining 0° Verstek 0°/ afschuining 45° ↘ Verstek 0°/ afschuining 45° ↙ Verstek ↘ 45°/ afschuining 0° Verstek ↙ 45°/ afschuining 0° Verstek 45°/ afschuining 45° ↘ Verstek 45°/ afschuining 45° ↙	90 mm × 305 mm 39 mm × 305 mm 43 mm × 305 mm 90 mm × 215 mm 50 mm × 215 mm 39 mm × 215 mm 43 mm × 215 mm
Min. werkstukafmeting	215 × 35 × 2,5 mm
Gewicht volgens de EPTA-procedure 01/2003 (Li-Ion 5.0 Ah)	16,3 kg
Geluidsinformatie Meetwaarden vastgesteld volgens EN 61029. Het kenmerkende A-gewogen geluidsniveau van de machine bedraagt: Geluidsdruk niveau (Onzekerheid K=3dB(A)) Geluidsvermogen niveau (Onzekerheid K=3dB(A))	89,0 dB (A) 98,5 dB (A)
Draag oorbeschermers! Trillingsinformatie Totale trillingswaarden (vectorsom van drie richtingebepaald volgens EN 61029). Zagen van hout: Trillingsemisiewaarde a _h Onzekerheid K=	1,1 m/s ² 1,5 m/s ²

* PS ≙ Afkortzaagmachine

WAARSCHUWING!

De in deze aanwijzingen vermelde trillingsdruk is gemeten volgens een in EN 61029 genormeerde meetmethode en kan worden gebruikt voor de onderlinge vergelijking van apparaten. Hij is ook geschikt voor een voorlopige inschatting van de trillingsbelasting. De aangegeven trillingsdruk geldt voor de meest gebruikelijke toepassingen van het elektrische apparaat. Wanneer het elektrische gereedschap echter voor andere doeleinden, met andere dan de voorgeschreven hulpstukken gebruikt of niet naar behoren onderhouden wordt, kan de trillingsdruk afwijken. Dit kan de waarde van de trillingsdruk over de hele werkperiode aanzienlijk verhogen. Voor een nauwkeurige inschatting van de trillingsdruk moeten ook de tijden in aanmerking worden genomen dat het apparaat uitgeschakeld is of weliswaar loopt, maar niet werkelijk in gebruik is. Dit kan de waarde van de trillingsdruk over de hele werkperiode aanzienlijk verminderen.

Bepaal extra veiligheidsmaatregelen ter bescherming van de bediener tegen de inwerking van trillingen, bijvoorbeeld: onderhoud van elektrische gereedschappen en apparaten, warmhouden van de handen, organisatie van de werkprocessen.

⚠ WAARSCHUWING Lees alle veiligheidsinstructies en aanwijzingen door. Als de waarschuwingen en voorschriften niet worden opgevolgd, kan dit een elektrische schok, brand of ernstig letsel tot gevolg hebben.

Bewaar alle waarschuwingen en voorschriften voor toekomstig gebruik.

ALGEMENE VEILIGHEIDSinSTRUCTIES

⚠ WAARSCHUWING

Bij het gebruik van elektrische gereedschappen dient u de volgende principiële veiligheidsinstructies in acht te nemen ter vermindering van elektrische schokken, letsel en brandgevaar. Lees alle instructies door voordat u het apparaat gebruikt en bewaar de veiligheidsinstructies goed.

Houd de werkplek opgeruimd. Wanordelijke werkplekken en werkbanken verhogen de kans op ongevallen en letsel.

Houd rekening met de werkomgeving. Stel het apparaat niet aan regen bloot en gebruik dit niet in een vochtige of natte omgeving. Zorg dat de werkplek goed verlicht is. Geen gereedschap gebruiken in de buurt van ontvlambare vloeistoffen of gassen.

Bescherm u tegen elektrische schokken. Vermijd lichamelijk contact met geaarde onderdelen zoals buizen, radiatoren, fornuizen of koelkasten.

Houd andere personen op afstand. Laat mensen, en vooral kinderen, die niet betrokken zijn bij de werkzaamheden, het apparaat of de verlengkabel niet aanraken en houd ze op afstand van de werkplek.

Berg niet gebruikt gereedschap op. Gereedschap dat niet wordt gebruikt, moet op een droge, zo hoog mogelijke of ontoegankelijke plaats buiten bereik van kinderen worden bewaard.

Overbelast het apparaat niet. Gebruik voor het werk het daarvoor bestemde elektrische werktuig. Met het passende elektrische werktuig wordt beter en veiliger, in het aangegeven prestatiegebied, gewerkt.



Gebruik het juiste gereedschap. Probeer niet met geweld met klein gereedschap het werk van zwaar gereedschap uit te voeren. Gebruik het elektrische gereedschap niet voor toepassingen waarvoor het niet bedoeld is. Gebruik bijvoorbeeld geen handcirkelzaag om dikke takken of houtblokken te zagen.

Draag geschikte kleding. Draag geen wijde kleding of sierraden. Houd uw haar, kleding en handschoenen ver van bewegende onderdelen. Voor werkzaamheden buiten adviseren wij slipvrije werkschoenen. Draag lang haar in een haarnet.

Gebruik een beschermende uitrusting. Gebruik een veiligheidsbril. Gebruik een gezichts- of stofmasker wanneer bij de werkzaamheden stof vrijkomt.

Sluit altijd een stofafzuigapparaat aan. Als inrichtingen voor stofafzuiging en -opvang gemonteerd kunnen worden, controleer dan of deze aangesloten zijn en op juiste wijze gebruikt worden.

Gebruik de elektrakabel niet om het elektrische werktuig te dragen. Trek de stekker nooit aan de kabel uit het stopcontact. Houd de kabel weg bij warmte, olie en scherpe randen.

Maak het werkstuk vast. Gebruik spaninrichtingen of een bankschroef om het werkstuk vast te zetten. Dit is veiliger dan het met de hand vast te houden.

Reik niet te ver overvoer en houd te allen tijde uw evenwicht.

Onderhoud gereedschap zorgvuldig. Houd snijwerktuigen scherp en schoon voor een betere en veiligere prestatie. Volg de instructies voor het smeren en voor het vervangen van de werktuigen.

Controleer regelmatig het aansluitsnoer van het elektrische gereedschap en laat dit bij beschadiging vervangen door een erkend vakman. Controleer regelmatig de verlengkabels en vervang deze, indien ze beschadigd zijn. Houd handgrepen droog, schoon en vrij van olie en vet.

Gereedschap loskoppelen. Wanneer het gereedschap niet in gebruik is en wanneer toebehoren zoals zaagblad, bits en snijgereedschap worden gewisseld, moet het apparaat van de stroomvoorziening worden losgekoppeld.

Verwijder stelsleutels en moersleutels. Maak er een gewoonte van altijd te controleren of (moer)sleutels zijn verwijderd voor het apparaat wordt aangezet.

Vermijdt een ongewenste inbedrijfning. Controleer dat de schakelaar in de 'uit'-stand staat als de accu wordt geplaatst.

Gebruik verlengkabels geschikt voor gebruik buiten. Indien u met een elektrisch gereedschap in de openlucht werkt, mag u alleen verlengkabels gebruiken die ook voor buitengebruik goedgekeurd en als zodanig gemarkeerd zijn.

Blijf op uw hoede. Let goed op wat u doet, gebruik uw gezond verstand en gebruik het apparaat niet als u moe bent.

Controleer het gereedschap voor gebruik grondig op schade of materiaalmoetheid. Controleer: dat bewegende delen zijn uitgelijnd, de verbindingen van bewegende delen, op gebroken delen, de montage, andere omstandigheden die invloed hebben op het functioneren.

Gebruik de machine niet als de beschermkappen ontbreken of niet goed werken.

Laat beschadigingen onmiddellijk verhelpen in een geautoriseerde werkplaats. Gebruik het gereedschap niet als het niet met de schakelaar aan en uit gaat.

WAARSCHUWING Het gebruik van andere toebehoren of hulpstukken dan die genoemd in de instructiehandleiding kunnen een risico vormen en tot persoonlijk letsel leiden.

Laat uw elektrisch gereedschap door een elektromonteur repareren. Dit elektrische gereedschap voldoet aan de desbetreffende veiligheidsbepalingen. Reparaties mogen alleen door een elektromonteur en met originele reserveonderdelen worden uitgevoerd, anders bestaat voor de gebruiker kans op ongevallen.

VEILIGHEIDSAANWIJZINGEN VOOR VERSTEKZAGEN

Het werkstuk altijd goed en veilig vastklemmen.

Waarborg dat de machine altijd veilig staat (bijv. op de werkbank bevestigd).

Draag oorbeschermers. Lawaai kan gehoorverlies veroorzaken.

Bij werkzaamheden met de machine dient u altijd een veiligheidsbril te dragen. Het wordt aangeraden handschoenen te dragen bij het hanteren van zaagblad en taai materiaal, net als stevige schoenen met antislipzolen om de voeten te beschermen tegen stukken die van het werkstuk afvallen.

Altijd de stekker uit het stopcontact halen of de accu verwijderen voor u aanpassingen of onderhoud uitvoert aan de machine of deze schoonmaakt.

Zorg dat de machine is uitgeschakeld voor de accu wordt geplaatst of verwijderd.

Niet voor de machine in een lijn staan met het zaagblad.

Sta altijd naast het zaagblad.

Houd handen, vingers en armen weg bij het draaiende zaagblad.

Nooit in het deel in de buurt van het zaagblad grijpen, tenzij dit volledig tot stilstand is gekomen.

Controleer het gereedschap voor gebruik grondig op schade of materiaalmoetheid. Beschadigde onderdelen mogen alleen worden gerepareerd door een vakman.

Bescherming van de machine beslist gebruiken. Gebruik de machine niet als de beschermkappen ontbreken of niet goed werken.

Pendelbeschermkap niet vastklemmen.

Wanneer het werkstuk of het zaagblad vastlopen, moet de verstekzaag worden uitgeschakeld. Wacht tot alle bewegende delen tot stilstand zijn gekomen en trek de stekker uit het stopcontact en/of verwijder het accupakket. Bevrijd vervolgens het vastzittende materiaal.

De zaag of zijn functie nooit wijzigen of aanpassen. Uw veiligheid kan in het geding komen.

Gebruik geen zaagbladen die gescheurd, beschadigd of vervormd zijn.

Gebruik geen zaagbladen van sneldraaistaal.

Gebruik alleen scherpe zaagbladen. Vervang botte zaagbladen met nieuwe.

Gebruik een zaagbladhouder of draag handschoenen bij het hanteren van een zaagblad.

Gebruik altijd zaagbladen met de juiste maat en vorm van het opnameborgaat.

Zaagbladen die niet bij de montagedelen van de zaagmachine passen, lopen niet rond en leiden tot het verliezen van de controle.

Gebruik alleen houtbewerkingsbladen aangegeven in deze handleiding die voldoen aan EN 847-1.

Om het zaagblad vast te zetten alleen de meegeleverde flensen, sluitringen en moeren gebruiken, of die in de instructiehandleiding staan beschreven.

Zorg dat het op het zaagblad aangegeven toerental niet wordt overschreden.

Kies een geschikt zaagblad voor het te zagen materiaal.



Ned

Gebruik de verstekzaag alleen om materialen te zagen die in deze handleiding staan beschreven onder beoogd gebruik.

Tafelinelg vervangen als deze is beschadigd of versleten.

Voor begin van de werkzaamheden een proefsneede maken zonder dat de motor aanstaat, zodat de positie van het zaagblad, de bediening van de beschermkappen in combinatie met de machineonderdelen en het werkstuk kan worden gecontroleerd.

Verwijder geen zaagresten of andere delen van werkstukken uit het zaagbereik wanneer de machine in bedrijf is en de zaagkop niet in de ruststand staat.

Bij het vervoeren van de machine alleen optillen met transportinstallaties en nooit de beschermkappen gebruiken.

Transporteer de kapzaag alleen met geactiveerde transportbeveiliging aan de handgreep.

Houd de vloer vrij van materiaalresten bijv. spaanders en zaagresten.

Lange werkstukken moeten goed gesteund worden.

Werkstukken met een ronde of onregelmatige doorsnee (bijv. brandhout) mogen niet gezaagd worden, omdat deze bij het zagen niet veilig kunnen worden vastgehouden. Bij het verticaal zagen van platte werkstukken moet een geschikte hulpaanslag worden gebruikt voor een veilige geleiding.

Stof die vrijkomt tijdens het werken vormt vaak een gevaar voor de gezondheid en mag niet met het lichaam in aanraking komen. Machines met stofafzuiging gebruiken en tevens geschikte stofmaskers dragen. Vrijgekomen stof grondig verwijderen resp. opzuigen.

Sluit de zaag aan op een stofzuiger als u hout zaagt.

Vervang de led of laser niet met een ander type. Reparaties mogen alleen door de fabrikant of een geautoriseerde servicemonteur worden uitgevoerd.

Zaagbladen, waarvan de gegevens niet overeenkomen welke in de gebruiksaanwijzing staan, mogen niet gebruikt worden.

De gereedschappen moeten in een geschikte houder vervoerd en bewaard worden;

Defecten aan/storingen van de machine, de veiligheidsinrichting of de zaagbladen dienen – zodra zij geconstateerd worden – bij de voor de veiligheid verantwoordelijke persoon gemeld te worden.

Stel de verschuifbare geleider af bij het maken van een verstek, afschuining of samengesteld verstek om de juiste vrije spleet voor het zaagblad te garanderen.

Voorkom dat de zaagbladtanden oververhit raken en kunststof bij het snijden begint te smelten door de voortbewegingsnelheid dienovereenkomstig aan te passen.

WAARSCHUWING Vervang de led niet door een andere.

HOUSNIJZAAG VEILIGHEIDSADVIEZEN

Lees de handleiding en instructies zorgvuldig door voor u het zaagblad en de machine gebruikt.

De machine moet zich in een goede toestand bevinden, de spindel mag niet vervormd zijn of trillen.

Gebruik de zaag niet zonder dat de beschermkappen zijn geplaatst, zorg dat ze goed werken en correct zijn aangebracht.

Zorg dat de gebruiker correct is onderwezen in veiligheidsmaatregelen, aanpassingen en het bedienen van de machine.

Draag altijd een veiligheidsbril en gehoorbescherming tijdens het gebruik. Het wordt aangeraden handschoenen, stevige schoenen met antislipzolen en een short te dragen.

Lees altijd de instructiehandleiding voor toebehoren wordt gebruikt. Onjuist gebruik van toebehoren kan schade aanrichten en verhoogt het risico op letsel.

Gebruik alleen zaagbladen aangegeven in deze handleiding die voldoen aan EN 847-1.

Houd de maximale snelheid aan die op het zaagblad staat genoteerd. Zorg dat de op het zaagblad aangegeven snelheid overeenkomt met de snelheid op de zaag.

Gebruik altijd zaagbladen met de juiste maat en vorm van het opnameboorgat.

Zaagbladen die niet bij de montagedelen van de zaagmachine passen, lopen niet rond en leiden tot het verliezen van de controle. Gebruik geen zaagbladen met een grotere of kleinere diameter dan aanbevolen. Gebruik geen spreiders om het zaagblad op de spindel te laten passen.

Controleer de tanden van het zaagblad op schade of afwijkingen voor elk gebruik. Beschadigde of losse tanden kunnen weggeslingerd worden tijdens gebruik en verhogen het risico op persoonlijk letsel.

Gescheurde zaagbladen of welke van vorm veranderd zijn, mogen niet gebruikt worden. Gebruik geen zaagbladen die beschadigd of vervormd zijn.

Het zaagblad afvoeren als het beschadigd, vervormd, verdraaid of gescheurd is, repareren is niet toegestaan.

Gebruik geen zaagbladen van sneldraaistaal.

Controleer dat het zaagblad correct is aangebracht, draai de moer van de opspandoorn goed vast voor gebruik (aandraaimoment ca. 12 Nm).

Bevestigingsschroeven en -moeren moeten met de juiste sleutels worden vastgedraaid.

Het is niet toegestaan de spreider met een hamer strakker of losser in te stellen.

Zorg dat het zaagblad en de flensen schoon zijn en de verzonken kanten van het halsstuk tegen het zaagblad ligt.

Controleer dat de bladen in de juiste richting draaien.

Voor begin van de werkzaamheden een proefsneede maken zonder dat de motor aanstaat, zodat de positie van het zaagblad, de bediening van de beschermkappen in combinatie met de machineonderdelen en het werkstuk kan worden gecontroleerd.

Laat de machine nooit onbeheerd achter.

Breng geen smeerstoffen aan op de bladen terwijl de machine draait.

Voer nooit reinigings- of onderhoudswerkzaamheden uit als de machine nog draait en de kop niet in rustpositie is.

Probeer de draaiende machine nooit te stoppen door snel een stuk gereedschap of ander voorwerk tegen het zaagblad aan te drukken. Dit kan ernstige ongelukken tot gevolg hebben.

Koppel de zaag los van de stroomvoorziening of verwijder de accu voor de bladen worden vervangen of onderhoud wordt uitgevoerd.

Ben voorzichtig tijdens het verpakken en uitpakken van het blad, door de scherpe zaagtanden kan men snel gewond raken.

Gebruik een zaagbladhouder of draag handschoenen bij het hanteren van een zaagblad.

Bewaar het zaagblad in de originele verpakking of een andere passende verpakking, in droge omstandigheden en buiten bereik van chemicaliën die het blad kunnen beschadigen bewaren.

VEILIGHEIDSADVIEZEN LASER

De laserstraling die in deze zaag wordt gebruikt is een Klasse 1 met maximaal < 1mW 650nm golfte. Niet direct in optische instrumenten kijken. Het niet-naleven van de instructies kan leiden tot ernstig persoonlijk letsel.

Tijdens de werking niet in de straal kijken.



De laserstraal niet direct op de ogen van anderen richten. Dit kan ernstig oogletsel veroorzaken.

Plaats de laser altijd zo dat personen er niet in kunnen kijken, opzettelijk of onopzettelijk.

Gebruik geen optische instrumenten om de laserstraal te bekijken.

Gebruik de laser niet in de buurt van kinderen en laat kinderen de straal niet bedienen.

Probeer het laserapparaat niet zelf te repareren.

Probeer geen onderdelen van het laserapparaat zelf te repareren.

Reparaties mogen alleen door de fabrikant of een geautoriseerde servicemonteur worden uitgevoerd.

WAARSCHUWING Vervang de ingebouwde laser niet door een laser van een ander type.

De laser niet op reflecterende vlakken richten.

Niet aan de laserstraal blootstellen. De laser kan sterke straling uitzenden.



VOORGESCHREVEN GEBRUIK VAN HET SYSTEEM

De afkort-verstekzaag is bedoeld voor het zagen van massief en gelijmd hout met of zonder gelijmd fineer, plastic en op hout lijkende materialen.

De afkort-verstekzaag is alleen bedoeld voor gebruik door volwassenen die de instructiehandleiding hebben gelezen en de risico's en gevaren begrijpen.

De afkort-verstekzaag is ontworpen om te worden bevestigd op een stevige werktafel. Als de basis niet goed is vastgezet, kan de hele machine tijdens het zagen beweging, dit kan tot ernstig persoonlijk letsel leiden.

De afkort-verstekzaag is ontworpen voor schuine en versteksneden. De capaciteiten voor de verschillende sneden staan gegeven in de productspecificaties in deze handleiding.

De afkort-verstekzaag moet in droge omstandigheden worden gebruikt bij uitstekende verlichting en voldoende ventilatie.

De afkort-verstekzaag is bedoeld voor consumentengebruik en mag alleen als hierboven beschreven worden gebruikt. Hij is niet voor een andere inzet bedoeld.

RESTERENDE GEVAREN

Zelfs als de aftrek-verstekzaag wordt gebruikt als bedoeld, zijn eventuele risico's niet uitgesloten. De volgende gevaren kunnen zich voordoen en de gebruik moet de volgende gevaren vermijden:

- Risico op het aanraken van onbedekte delen van het draaiende zaagblad.
- Terugschiet van werkstukken of delen van werkstukken door onjuiste aanpassing of hantering.
- Wegschieten van defecte hardmetalen tanden van het zaagblad. Draag altijd oogbescherming.
- Schade aan het ademhalingsorgaan. Draag een mondkap met filters passend bij het materiaal waaraan wordt gewerkt. Zorg voor voldoende ventilatie op de werkplek. Niet eten, drinken of roken op de werkplek.
- Beschadiging aan het gehoor indien geen adequate gehoorbescherming wordt gedragen.

WAARSCHUWING Stof van bepaalde verven, coatings en materialen kan leiden tot irritatie of allergische reacties. Stof van hout zoals eiken, berken, MDF en andere soorten zijn kankerverwekkend. Materialen die asbest bevatten mogen alleen worden bewerkt door gespecialiseerde krachten.

WAARSCHUWING Langdurig gebruik van het apparaat kan leiden tot of het verergeren van letsel. Wanneer een apparaat langere tijd achterelkaar wordt gebruikt, regelmatige pauzes.

AKKU

Langere tijd niet toegepaste wisselakku's vóór gebruik altijd naladen.

Een temperatuur boven de 50°C vermindert de capaciteit van de accu. Langdurige verwarming door zon of hitte vermijden.

De aansluitcontacten aan het laadapparaat en de accu schoonhouden.

Voor een optimale levensduur moeten de accu's na het gebruik volledig opgeladen worden.

Voor een zo lang mogelijke levensduur van de accu's dienen deze na het opladen uit het laadtoestel te worden verwijderd.

Bij een langere opslag van de accu dan 30 dagen: accu bij ca. 27 °C droog bewaren. accu bij ca. 30 % - 50 % van de laadtoestand bewaren. accu om de 6 maanden opnieuw opladen.

Onder extreme belasting of extreme temperaturen kan uit de accu accu-vloeistof lopen. Na contact met accu-vloeistof direct afwassen met water en zeep. Bij oogcontact direct minstens 10 minuten grondig spoelen en onmiddellijk een arts raadplegen.

Wisselakku's niet bij metalen voorwerpen bewaren (kortsluitingsgevaar!).

Verbruikte akku's niet in het vuur of bij het huisvuil werpen. AEG biedt namelijk een milieuvriendelijke recyclingmethode voor uw oude akku's.

ACCU EN OPLADER

Compatibele accu (niet inbegrepen): System GBS

Compatibele oplader(niet inbegrepen): System GBS

Wisselakku's van het Akku-Systeem GBS alléén met laadapparaten van het Akku-Systeem GBS laden. Geen akku's van andere systemen laden.

TRANSPORT VAN LITHIUM-IONEN-ACCU'S

Lithium-ionen-accu's vallen onder de wettelijke bepalingen inzake het transport van gevaarlijke goederen.

Voor het transport van deze accu's moeten de lokale, nationale en internationale voorschriften en bepalingen in acht worden genomen.

Verbruikers mogen deze accu's zonder meer over de weg transporteren.

Het commerciële transport van lithium-ionen-accu's door expeditiebedrijven is onderhevig aan de bepalingen inzake het transport van gevaarlijke goederen. De verzendingsvoorbereidingen en het transport mogen uitsluitend worden uitgevoerd door dienovereenkomstig opgeleide personen. Het complete proces moet vakkundig worden begeleid.

Onderstaande punten moeten bij het transport van accu's in acht worden genomen:

Waarborg ter vermindering van kortsluitingen dat de contacten beschermd en geïsoleerd zijn. Let op dat het accupack in de verpakking niet kan verschuiven. Beschadigde of lekkende accu's mogen niet worden getransporteerd. Neem voor meer informatie contact op met uw expeditiebedrijf.

OVERBELASTINGSBEVEILIGING VAN DE ACCU

Bij overbelasting van de accu door zeer hoog stroomverbruik, bijv. extreem hoge draaimomenten, plotseling stoppen of kortsluiting, vibreert het elektrische gereedschap gedurende 5 seconden, de laadweergave knippert en het elektrische gereedschap schakelt automatisch uit.

Om het gereedschap weer in te schakelen, moet u de drukschakelaar loslaten en vervolgens weer inschakelen.

Onder extreme belastingen wordt de accu te heet. In dit geval knipperen alle lampen van de laadweergave totdat de accu afgekoeld is. Na het doven van de laadweergave kunt u weer verder werken.

Steek de accu in het laadtoestel om hem weer op te laden en te activeren.

ONDERHOUD

Deze zaag niet aanpassen of toebehoren gebruiken die niet door de fabrikant zijn goedgekeurd. Uw veiligheid en die van anderen kan in het geding komen.

Gebruik de zaag niet als schakelaars, beschermkappen of andere functies aan deze zaag niet naar behoren werken. Breng de zaag naar een geautoriseerde werkplaats voor professionele reparatie of aanpassing.

Geen aanpassingen aan het zaagblad uitvoeren terwijl het draait. Verwijder de accu voor u de machine aanpast, smeert of onderhoud uitvoert.

Controleer voor en na gebruik de zaag op beschadiging of gebroken onderdelen, om hem in uitstekende conditie te houden deze onderdelen direct vervangen met door de fabrikant goedgekeurde reserveonderdelen.

Na gebruik is het zaagblad erg warm, draag handschoenen of laat het afkoelen voor onderhoud of reiniging.

Met een borstel of stofzuiger opgehoopt stof verwijderen. Gebruik geen perslucht.

Voor veiligheid en betrouwbaarheid moeten alle reparaties, ook het vervangen van borstels, worden uitgevoerd door een geautoriseerde werkplaats.

Zorg ervoor dat het werktuig van de stroomvoorziening wordt ontkoppeld voor u het zaagblad vastmaakt of verwijdert.

Reinig het apparaat en de veiligheidsinrichting met een droge doek. Altijd de luchtspleten van de machine schoonhouden.

RESERVEONDERDELEN

Alleen AEG toebehoren en onderdelen gebruiken. Onderdelen welke niet vermeld worden, kunnen het beste door de AEG servicedienst verwisseld worden (zie Serviceadressen).

Onder vermelding van het nummer op het machineplaatje is desgewenst een doorsnedetekening van de machine verkrijgbaar bij: Techtronic Industries GmbH, Max-Eyth-Straße 10, 71364 Winnenden, Germany.

EC - VERKLARING VAN OVEREENSTEMMING

We verklaren geheel onder eigen verantwoordelijkheid dat het product in de "Technische data" voldoet aan alle relevante bepalingen van de richtlijnen

2011/65/EU, 2006/42/EG, 2014/30/EU

en de volgende geharmoniseerde normen zijn gebruikt.

EN 61029-1:2009 + A11:2010

EN 61029-2-9:2012 + A11:2013

EN 55014-1:2006+A1:2009+A2:2011

EN 55014-2: 1997+A1:2001+A2:2008

EN 50581:2012



Winnenden, 2016-12-02

Alexander Krug / Managing Director

Gemachtigd voor samenstelling van de technische documenten

Techtronic Industries GmbH

Max-Eyth-Straße 10, 71364 Winnenden, Germany

SYMBOLEN



OPGELET! WAARSCHUWING! GEVAAR!



Voor alle werkzaamheden aan de apparat de accu verwijderen.



Graag instructies zorgvuldig doorlezen vóórdat u de machine in gebruik neemt.



Bij het werken met de machine altijd een veiligheidsbril dragen.



Draag oorbeschermers!



Draag veiligheidshandschoenen!



Open schroef / Draairichting



Houd de handen altijd buiten het bereik van het zaagblad.



Het apparaat is alléén geschikt voor toepassing in ruimtes, apparaat niet aan regen blootstellen.



Niet in de laserstraal kijken



This product corresponds to the laser class 1 in accordance with EN 60825-1:2014.



Ø30 mm
Ø254 mm Zaagblad ø x boring ø



Draairichting



48 HwV
zaagbladtanden



2.2 mm
Freesbreedte



Elektrische apparaten mogen niet via het huisafval worden afgevoerd. Elektrische en elektronische apparaten moeten gescheiden worden verzameld en voor een milieuvriendelijke afvoer worden afgegeven bij een recyclingbedrijf. Informeer bij uw gemeente of bij uw vakhandelaar naar recyclingbedrijven en inzamelpunten.



CE-keurmerk



UkrSEPRO -symbool van overeenstemming.



EurAsian-symbool van overeenstemming.



TEKNISKE DATA	BPS18-254BL
Kap-/geringsstav *	
Produktionsnummer	4601 74 01... ... 000001-999999
Udskiftningsbatteriets spænding	18 V
Omdrejningstal, ubelastet	3900 min ⁻¹
Savklinge-ø x hul-ø	254 × 30 mm
Savklinge tykkelse af enhed	1,6 mm
Savklinge tykkelse af tænder	2,2 mm
Klippekapacitet maks. gering 0°/ hældning 0° gering 0°/ hældning 45° gering 0°/ hældning 45° gering 45°/ hældning 0° gering 45°/ hældning 0° gering 45°/ hældning 45° gering 45°/ hældning 45°	90 mm × 305 mm 39 mm × 305 mm 43 mm × 305 mm 90 mm × 215 mm 50 mm × 215 mm 39 mm × 215 mm 43 mm × 215 mm
Min. mål på arbejdsemner	215 × 35 × 2,5 mm
Vægt svarer til EPTA-procedure 01/2003 (Li-Ion 5.0 Ah)	16,3 kg
Støjinformation Måleværdier beregnes iht. EN 61029. Værktøjets A-vurderede støjniveau er typisk: Lydtrykniveau (Usikkerhed K=3dB(A)) Lydeffekt niveau (Usikkerhed K=3dB(A))	89,0 dB (A) 98,5 dB (A)
Brug høreværn! Vibrationsinformation Samlede vibrationsværdier (værdisum for tre retninger) beregnet iht. EN 61029. Savning af træ: Vibrationseksponering a _h Usikkerhed K=	1,1 m/s ² 1,5 m/s ²

* PS ≙ Kap-/geringsstav

ADVARSEL!

Svingningsniveauet, som er angivet i disse anvisninger, er målt i henhold til standardiseret måleprocedure ifølge EN 61029 og kan anvendes til indbyrdes sammenligning mellem el-værktøjer. Svingningsniveauet er ligeledes egnet som foreløbigt skøn over svingningsbelastningen.

Det angivne svingningsniveau er baseret på el-værktøjets primære anvendelsesformål. Hvis el-værktøjet benyttes til andre formål, med andet indsatsværktøj eller ikke vedligeholdes tilstrækkeligt, kan svingningsniveauet afvige. Dette kan øge svingningsbelastningen over den samlede arbejdsperiode betydeligt.

For en nøjagtig vurdering af svingningsbelastningen skal der også tages højde for de tidsperioder, hvor apparatet er slukket, eller hvor apparatet kører, men uden at være i anvendelse. Dette kan reducere svingningsbelastningen over den samlede arbejdsperiode betydeligt.

Supplerende sikkerhedsforanstaltninger til beskyttelse af brugeren mod påvirkninger fra svingninger skal iværksættes, f.eks.: Vedligeholdelse af el-værktøj og indsatsværktøj, varmeholdelse af hænder, organisering af arbejdsprocesser.

ADVARSEL Læs alle sikkerhedsanvisninger og øvrige vejledninger. I tilfælde af manglende overholdelse af advarselshenvisningerne og instrukserne er der risiko for elektrisk stød, brand og/eller alvorlige kvæstelser.

Opbevar alle advarselshenvisninger og instrukser til senere brug.

GENERELLE SIKKERHEDSANVISNINGER

ADVARSEL

Ved brugen af el-værktøj skal de følgende principielle sikkerhedsforholdsregler altid overholdes for at beskytte brugeren mod elektrisk stød og risikoen for tilskadekomst og brand. Læs alle disse instruktioner, inden dette el-værktøj bruges, og opbevar sikkerhedsinstruktionerne forsvarligt.

Hold arbejdsområdet frit. Rodede arbejdsområder og arbejdsbænke øger risikoen for skader.

Vær opmærksom på, hvilke omgivelser der arbejdes i. Udsæt ikke værktøjet for regn. Brug ikke værktøjet i fugtige eller våde omgivelser. Sørg for, at arbejdsområdet er ordentligt oplyst. Brug ikke værktøjet nær brandbare væsker eller gasser.

Giv agt! Fare for elektrisk stød. Undgå kropskontakt med jordele dele, såsom rør, varmeapparater, komfurer eller køleskabe.

Hold uvedkommende på afstand af arbejdet. Lad ikke uvedkommende - i særdeleshed børn - komme i kontakt med værktøjet eller forlængerledningen, og hold dem på afstand af arbejdsområdet.

Pak værktøjet væk, når det ikke er i brug. Når det ikke er i brug, skal værktøjet opbevares på et tørt, aflåst sted, utilgængeligt for børn.

Overbelast ikke værktøjet. Brug det dertil indrettede el-værktøj til arbejdet. Med det rigtige el-værktøj arbejder du bedre og sikrere i det angivne ydelsesområde.

Brug det rigtige værktøj. Brug ikke mindre værktøjer til at udføre opgaver, egnede til tungere værktøjer.

Sørg for korrekt påklædning. Undgå at bære løst tøj eller smykker, der kan blive fanget i bevægelige dele.

Brug beskyttelsesudstyr. Brug sikkerhedsbriller. Brug ansigts- eller støvmaske, hvis arbejdet skaber støv.

Tilslut altid støvsugning. Hvis det er muligt at montere støvsugnings- eller opfangningsanordninger, skal du forvisse dig om, at de er sat på og anvendes korrekt.

Løft eller hæng ikke el-værktøjet op i kablet. Hiv aldrig i ledningen for at koble denne fra stikkontakten. Hold ledningen væk fra varme, olie og skarpe kanter.

Fastgør det emne, der arbejdes på. Hvis muligt, bør klemmer eller skruetvinger anvendes til fastgørelse. Dette er sikrere end at bruge hånden.

Læn dig ikke for langt ud og sørg hele tiden for at holde balancen.

Vedligehold værktøjet omhyggeligt. Hold skæreværktøjer skarpe og rene for bedre og sikrere ydeevne. Følg instruktionerne, når du smører værktøjet eller skifter tilbehør. Inspicer ledningerne med jævne mellemrum. Hvis disse er beskadigede, skal de repareres af et autoriseret serviceværksted. Inspicer forlængerledninger regelmæssigt, udskift hvis beskadigede.

Kobl værktøjer fra. Kobl værktøjer fra strømkilden når de ikke er i brug, inden vedligeholdelse eller ved udskiftning af tilbehør som klinger, bits eller fræsere.

Fjern nøgler og justeringsnøgler. Gør det til en vane at kontrollere, at nøgler og justeringsnøgler er fjernet, før du tænder værktøjet.

Pas på utilsigtet start af værktøjet. Sørg for, at kontakten peger på "off", før du isætter batteriet.

Brug forlængerledninger beregnet til udendørs brug. Brug kun forlængerledninger beregnet til udendørs brug, når der arbejdes udendørs. Disse ledninger skal være markeret som værende egnede til udendørs brug.

Vær opmærksom. Hold øje med det, du laver, brug din sunde fornuft og brug ikke værktøjet, når du er træt.

Kontrollér grundigt værktøjet for skader eller materialetræthed inden brug. Hold øje med, om bevægelige dele er justeret korrekt, om de sidder ordentligt fast, om de er gået i stykker, om deres beslag er intakte og eventuelle andre forhold, der kan påvirke værktøjets drift.

Brug ikke maskinen, hvis beskyttelsesskærmene ikke er på plads eller fungerer korrekt.

Lad straks beskadigede reparere på et autoriseret værksted. Brug ikke værktøjet, hvis afbryderen ikke tænder og slukker det korrekt.

ADVARSEL Brug af tilbehør eller udstyr, der ikke er anbefalet i denne vejledning, kan indebære risiko for personskade.

Dit værktøj skal repareres af en sagkyndig. Dette elektriske værktøj lever op til relevante sikkerhedsregler. Reparation bør kun udføres af kvalificerede personer og ved hjælp af originale reservedele, da dette ellers kan resultere i betydelig fare for brugeren.

SIKKERHEDSANVISNINGER FOR GERINGSHAVE

Fastspænd altid emnet grundigt og sikkert.

Sørg for, at maskinen altid står stabilt (fastgør den f.eks. på arbejdsbænken)..

Bær høreværn. Støjen kan føre til nedsat hørelse.

Bær altid sikkerhedsbriller, når du arbejder med maskinen. Det anbefales at bære handsker egnet til håndtering af knive og grove materialer, samt robuste, skridsikre sko, der beskytter fødderne fra emner, der kan falde fra skærområdet.

Fjern altid stik eller batteri før enhver form for justering, vedligeholdelse eller rengøring af maskinen.

Sørg for, at maskinen er slukket før isætning eller fjernelse af batteriet.

Stå ikke lige ud for savklingen foran maskinen.

Træd altid til siden i forhold til savklingen.

Hold hænder, fingre og arme væk fra den roterende savklinge.

Ræk aldrig ind i området nær klingens, medmindre klingens stoppet og står helt stille.

Kontroller grundigt værktøjet for skader eller materialetræthed inden brug. Få beskadigede dele repareret af en fagmand.

Maskinens sikkerhedsindretning bør ubetinget benyttes. Brug ikke maskinen, hvis beskyttelsesskærmene ikke er på plads eller fungerer korrekt.

Den mobile beskyttelsesskærm må ikke blokeres i åbent tilstand.

Sluk for geringsssaven, hvis arbejdsemnet eller klingens bliver blokeret. Vent til alle bevægede dele stopper, og frakobl stikket fra strømforsyningen, og/eller tag batteripakken ud. Arbejd dernæst på at løse det blokerede arbejdsemne.

Modificér aldrig savens eller dens funktion. Dette kan udsætte dig for fare.

Brug ikke savklinger, der er revnede, beskadigede eller deformede.

Brug ikke savklinger, som er fremstillet af high-speed stål.

Brug kun skarpe savklinger. Erstat sløve klinger med nye.

Brug en klingeholder eller handsker, når du håndterer en savklinge.

Anvend altid en savklinge i den rigtige størrelse og med det passende spændehul.

Savklinger, der ikke passer til monteringsdele på savens, vil køre ujævnt og kan nemt få maskinen til at gå ud af kontrol.

Til træbearbejdning må kun anvendes klinger angivet i denne vejledning, som lever op til EN 847-1.

Brug ikke andre flanger, skiver eller møtrikker til sikring af savklingen end dem, der medfølger eller er angivet i instruktionsbogen.

Det maksimale omdrejningstal, som står angivet på savklingen, må ikke overskrides.

Vælg en savklinge, som passer til det emne, der skal skæres over.

Brug aldrig geringsssaven til at skære materialer, der ikke er specificeret i afsnittet anvendelsesformål i denne manual.

Erstat bordindsatsen, når denne er slidt eller beskadiget.

Før arbejdet udføres, gennemføres en prøvekøring uden at motoren tændes, så klingens position, beskyttelsesskærmens bevægelse i forhold til andre maskindele og emnet der arbejdes på, kan kontrolleres.

Fjern ikke træaffald eller andre dele af arbejdsemner fra saveområdet, når maskinen kører og savhovedet ikke er i hvilestilling.

Transport af maskinen bør kun ske ved hjælp af transportvogne. Brug aldrig beskyttelsesskærmene til at løfte i eller transportere maskinen.

Tag fat i håndtaget, når du transporterer kapsaven - transportsikringen skal være i indgreb.

Hold bunden fri for materialerester f.eks. spåner og rester fra savningen.

Lange emner skal støttes af på passende måde.



Dan

Arbejdsemner med rundt eller uregelmæssigt tværnsnit (f.eks. brænde) må ikke saves, da sådanne emner ikke kan holdes sikkert under savningen. Ved savning på højkant af flade arbejdsemner skal der benyttes et egnet hjælpeanslag for sikker føring.

Støv, som opstår i forbindelse med fræsearbejdet, er ofte sundhedskadeligt og må ikke trænge ind i kroppen. Brug en støvsuger og bær egnet støvbeskyttelsesmaske. Fjern grundigt aflejret støv (f.eks. ved opugning).

Tilslut saven til en støvsuger ved savning af træ.

Undlad at erstatte LED eller laser med en anden type. Reparationer må kun foretages af producenten eller en autoriseret reparatør.

Savklinger, som ikke svarer til data i denne brugsanvisning, må ikke anvendes.

Værktøjerne skal opbevares og transporteres i dertil egnede beholdere;

Føj! i maskinen, inklusiv beskyttelsesanordning eller savklinger, skal straks meddeles den sikkerhedsansvarlige.

Når der udføres koniske skæringer, skæringer i gering eller i blandet gering, tilpas glidehegnet for at sikre den korrekte afstand til bladet.

Undgå ved en tilpasset fremføringshastighed en overopvarmning af savklingens tænder og ved skæring i plast, at materialet smelter.

ADVARSEL Udskift aldrig LED'en med en anden.

KLINGE TIL SKÆRING AF TRÆ SIKKERHEDSHENVISNINGER

Læs venligst manual og instruktioner omhyggeligt før brug af savklinge og maskine.

Maskinen skal være i god stand, og spindlen må ikke være ude af facon eller vibrere.

Brug ikke saven uden at beskyttelseskærmene er på plads, hold skærmene i god stand og vedligehold dem korrekt.

Sørg for, at operatøren er tilstrækkeligt uddannet i sikkerhedsforanstaltninger, justering og drift af maskinen.

Bær altid beskyttelsesbriller og høreværn, når du bruger maskinen. Det anbefales at bære handsker, solide skridsikre sko og forklæde.

Konsulter instruktionsbogen før du bruger nogen former for tilbehør til maskinen. Forkert anvendelse af tilbehør kan beskadige værktøjet og øge risikoen for legemlig eller materiel skade.

Brug kun klinger der er angivet i denne manual, og lever op til EN 847-1.

Overhold den maksimale hastighed, der er angivet på savklingen. Sørg for, at den hastighed, der er angivet på savklingen som minimum er lig den hastighed, der er angivet på saven.

Anvend altid en savklinge i den rigtige størrelse og med det passende spændehul.

Savklinger, der ikke passer til monteringsdele på saven, vil køre ujævnt og kan nemt få maskinen til at gå ud af kontrol.

Brug ikke klinger hvis diameter er større eller mindre end det anbefalede. Brug ikke afstandsstykker for at få klingen til at passe til spindlen.

Kontroller takkerne på savklingen for beskadigelse eller unormalt udseende for hver brug. Beskadigede eller løse savtakker kan blive sendt flyvende igennem luften under brug og øge risikoen for personskade.

Ridsede savklinger eller sådanne, som har ændret form, må ikke bruges. Benyt ikke savblade, der er beskadiget eller deformet.

Skrot savklingen hvis den er beskadiget, deform, vredet ud af facon eller revnet. Reparation af savklinger er ikke tilladt.

Brug ikke savklinger, som er fremstillet af high-speed stål.

Sørg for, at savklingen er korrekt monteret. Spænd fastgørelsesmøtrikken grundigt før brug (drejningsmoment ved stramning ca. 12 Nm).

Fastgørelsesbolt og -møtrikker skal strammes med en passende nøgle m.v.

Udvidelse af en nøgle eller stramning ved hjælp af hammerslag er ikke tilladt.

Sørg for at klinge og flanger er rene, og at de forsænkede sider af kraven vender mod klingen.

Kontroller, at klingen roterer i den rigtige retning.

Før arbejdet indledes foretages en prøveskæring, uden at motoren tændes, således at klingens position, beskyttelseskærmens bevægelse i forhold til andre maskindele og emnet kan kontrolleres.

Efterlad aldrig maskinen uden opsyn.

Smøremidler må ikke tilføres klingen, når den kører.

Udfør aldrig rengøring eller vedligeholdelsesarbejde, mens maskinen stadig kører, og hovedet ikke er i hvileposition.

Forsøg aldrig at stoppe en maskine i bevægelse ekstra hurtigt ved at presse et værktøj eller andet mod klingen. Alvorlige, utilsigtede ulykker kan opstå på denne måde.

Fjern saven fra stikkontakten eller fjern batteriet før udskiftning af klinger eller vedligeholdelse.

Vær opmærksom på klingen under nedpakning og udpakning. Man kan let skære sig på de skarpe savtakker.

Brug en klingeholder eller handsker, når du håndterer en savklinge.

Opbevar og gem klingen i den originale emballage eller anden, passende indpakning. Opbevar den tørt og væk fra kemikalier, der kan beskadige klingen.

SIKKERHEDSHENVISNINGER LASER

Laserstrålen i denne sav er Klasse 1 med maksimalt $< 1\text{ mW}$ og 650nm bølgelængder. Må ikke betragtes direkte gennem optiske instrumenter. Manglende overholdelse af reglerne kan resultere i alvorlig personskade.

Se ikke ind i strålen under drift.

Ret ikke laserstrålen direkte ind i andres øjne. Dette kan føre til alvorlige øjenskader.

Placer ikke laseren på en måde der kan resultere i, at man kan komme til at se direkte ind i den - forsættligt eller uforsættligt.

Se ikke på laserstrålen gennem optiske instrumenter.

Brug ikke laseren nær børn, og tillad ikke børn at bruge den.

Forsøg ikke at reparere laserenheden selv.

Forsøg ikke at skifte eller ændre dele af laserenheden selv.

Reparationer må kun foretages af producenten eller en autoriseret reparatør.

ADVARSEL Erstat ikke den indbyggede laser med en laser af en anden type.

Ret ikke laseren mod reflekterende overflader.

Undgå lasereksponering. Laseren kan udsende en meget kraftig stråling.

TILTÆNKT FORMÅL

Kap-/geringsraven er beregnet til savning i massivt træ og træbeton med eller uden limet finér, plastic og træliggende materialer.

Kap-/geringsraven er beregnet til at blive anvendt af voksne, der har læst brugsanvisningen og forstår de risici og farer, der er forbundet med brug af saven.



Dan

Kap-/geringssaven er designet til at være fæstnet til en solid arbejdsbænk i bunden. Hvis savens bund ikke er forsvarligt fæstnet, kan hele maskinen rykke sig under skæring, hvilket øger risikoen for alvorlig personskade.

Kap-/geringssaven er designet til at udføre facetter og geringer. Mulighederne for forskellige udkæringer oplyses under produktspæcifikationer i denne manual.

Kap-/geringssaven er til brug under tørre forhold med godt arbejdslys og tilstrækkelig ventilation.

Kap-/geringssaven er målrettet privat brug, og bør kun anvendes som beskrevet ovenfor og ikke til andre formål.

RESTRISICI

Selv når kap-/geringssaven anvendes som foreskrevet, kan visse risikofaktorer ikke helt afskrives. De følgende farer kan opstå, og operatøren skal være særligt opmærksom på at undgå følgende:

- Risiko for kontakt med afdækkede dele af den roterende savklinge.
- Kick-back fra elementer der saves i, eller dele heraf, som følge af forkert justering eller håndtering.
- Flyvende, defekte stål-savtakker fra klingens. Bær altid øjenværn.
- Skader på luftvejene. Bær åndedrætsværn med filtre egnet til de materialer, der arbejdes med. Sørg for tilstrækkelig ventilation af arbejdsområdet. Spis, drik og ryg ikke i arbejdsområdet.
- Høreskader, hvis der ikke bæres effektive høreværn.

ADVARSEL Støv fra visse malinger, belægninger og materialer kan forårsage irritation eller allergiske reaktioner. Støv fra træ som eg, bøg, MDF, m.fl. er kræftfremkaldende. Asbestholdige materialer bør kun bearbejdes eller håndteres af kvalificerede specialister.

ADVARSEL Langvarig brug af et værktøj kan forårsage eller forværre skader. Hold altid regelmæssige pauser, når du bruger et værktøj i længere tid.

BATTERI

Udskiftningsbatterier, der ikke har været brugt i længere tid, efterlades inden brug.

Ved temperaturer over 50°C formindskes batteriets effekt. Undgå direkte sollys og stærk varme.

Tilslutningskontakterne på oplader og udskiftningsbatterier skal holdes rene.

For at opnå en optimal levetid skal de genopladelige batterier oplades fuldt efter brug.

For at sikre en så lang levetid som muligt skal batterierne tages ud af ladeaggregatet efter opladning.

Skal batterierne opbevares længere end 30 dage: Temperatur ca. 27°C i tørre omgivelser. Opbevares ved ca. 30%-50% af ladetilstanden. Batteri skal genoplades hver 6. måned.

I tilfælde af en ekstrem belastning eller ekstrem temperatur kan der flyde batterivæske ud af et beskudiget batteri. Hvis De kommer i berøring med batterivæsken, skal den vaskes godt og grundigt af med vand og sæbe. I tilfælde af øjenkontakt, skal man mindst skylle øjnene godt og grundigt igennem i 10 minutter og omgående opsøge en læge.

Opbevar ikke udskiftningsbatterier sammen med metalgenstande af fare for kortslutning.

Opbrugte udskiftningsbatterier må ikke brændes eller kasseres sammen med alm. husholdningsaffald. AEG har en miljørigtig bortskaffelse af gamle udskiftningsbatterier, henvend Dem til Deres forhandler.

BATTERI OG OPLADER

Kompatibelt batteri (ikke inkluderet): System GBS

Kompatibel oplader (ikke inkluderet): System GBS

Brug kun GBS ladeapparater for opladning af System GBS batterier.

TRANSPORT AF LITHIUM-BATTERIER

Lithium-batterier er omfattet af lovgivningen om transport af farligt gods.

Transporten af disse batterier skal ske under overholdelse af lokale, nationale og internationale regler og bestemmelser.

Forbrugere må transportere disse batterier på veje uden yderligere krav.

Den kommercielle transport af lithium-batterier ved speditorsfirmaer er omfattet af reglerne for transport af farligt gods. Forberedelsen af forsendelse og transport må kun udføres af tilsvarende trænedte personer. Den samlede proces skal følges af fagfolk.

Følgende punkter skal overholdes ved transport af batterier:

Sørg for at kontakterne er beskyttet og isoleret for at forhindre kortslutninger. Sørg for at batteripakken ikke kan bevæge sig inden for emballagen. Beskadigede eller lækende batterier må ikke transporteres. Kontakt dit speditorsfirma for at få yderligere oplysninger.

OVERBELASTNINGSSIKRING FOR BATTERI

Overbelastes batteriet på grund af meget højt strømforbrug, f.eks. som følge af ekstremt høje drejningsmomenter, pludseligt stop eller kortslutning, vibrerer el-værktøjet i 5 sekunder, ladeindikatoren blinker, og el-værktøjet slukker af sig selv.

For at tænde igen slippes trykknappen, hvorefter du tænder el-værktøjet igen.

Ved ekstreme belastninger bliver batteriet for varmt. I så fald blinker alle lamper på ladeindikatoren, indtil batteriet er kølet af. Når ladeindikatoren går ud, kan arbejdet genoptages.

Sæt batteriet i ladeadapteren for at genoplade det og aktivere det.

VEDLIGEHOLDELSE

Modificer ikke denne sav på nogen måde, og brug ikke tilbehør, der ikke er godkendt af producenten. Dette kan bringe både dig selv og andre i fare.

Brug ikke savens knapper, beskyttelseskærme eller andre dele der ikke virker efter hensigten. Indlever til et autoriseret servicecenter for professionel reparation eller justering.

Foretag ikke justeringer, mens savklingen er i bevægelse.

Fjern batteriet før du justerer, smører eller vedligeholder maskinen.

Tjek din sav for skader eller ødelagte dele før og efter brug, og hold den i optimal stand ved øjeblikkeligt at erstatte beskadigede dele med reservedele godkendt af producenten.

Klingen er meget varm efter brug. Bær handsker eller lad klingens køle af før vedligeholdelse eller rengøring.

Fjern akkumuleret støv ved hjælp af en pensel eller støvsuger. Brug ikke komprimeret luft.

For optimal sikkerhed og pålidelighed bør alle reparationer, herunder udskiftning af børster, udføres af et autoriseret serviceværksted.

Husk at afbryde værktøjet fra strømforsyningen inden monteringen eller udtagning af savklingen.

Rengør maskinen og beskyttelsesudstyret med en tør klud.

Hold altid maskinens ventilationsåbninger rene.



Dan

RESERVEDELE

Brug kun AEG tilbehør og reservedele. Lad de komponenter, hvis udskiftning ikke er blevet beskrevet, udskifte hos Atlas Copco service (se kundeserviceadresser).

Ved opgivelse af type nr. der er angivet på maskinens effektskilt, kan de rekvirere en reservedelstegning, ved henvendelse til: Techtronic Industries GmbH, Max-Eyth-Straße 10, 71364 Winnenden, Germany.

CE-KONFORMITETSERKLÆRING

Vi erklærer som eneansvarlige, at produktet, som beskrives under „Tekniske data“, opfylder alle de relevante bestemmelser i direktiverne

2011/65/EU

2006/42/EF

2014/30/EU

og følgende harmoniserede standarder er blevet anvendt.

EN 61029-1:2009 + A11:2010

EN 61029-2-9:2012 + A11:2013

EN 55014-1:2006+A1:2009+A2:2011

EN 55014-2: 1997+A1:2001+A2:2008

EN 50581:2012



Winnenden, 2016-12-02

Alexander Krug / Managing Director
Autoriseret til at udarbejde de tekniske dokumenter.

Techtronic Industries GmbH
Max-Eyth-Straße 10, 71364 Winnenden, Germany

SYMBOLER



VIGTIGT! ADVARSEL! FARE!



Ved arbejde inden i maskinen, bør batteriet tages ud.



Læs brugsanvisningen nøje før ibrugtagning.



Når der arbejdes med maskinen, skal man have beskyttelsesbriller på.



Brug høreværn!



Brug beskyttelsehandsker!



Åbne-skrue / Omdrejningsretning



Hold altid hænderne væk fra savbladets område.




- Maskinen er kun egnet til indendørsbrug, maskinen må ikke udsættes for regn.



Kig ikke ind i laserstrålen



 This product corresponds to the laser class 1 in accordance with EN 60825-1:2014.



Ø30 mm
Ø254 mm
Savklinge-ø x hul-ø



Omdrejningsretning



48 kW
klinge tænder



2.2 mm
Skærebredde



Elektrisk udstyr må ikke bortskaffes sammen med det almindelige husholdningsaffald. Elektrisk og elektronisk udstyr skal indsamles særskilt og afleveres hos en genbrugsvirksomhed til en miljømæssig forsvarlig bortskaffelse. Spørg de lokale myndigheder eller din forhandler om genbrugsstationer og indsamlingssteder til sådant affald.



CE-mærke



UKRSEPRO overensstemmelsesmærke.



EurAsian overensstemmelsesmærke.

TEKNISKE DATA	BPS18-254BL
Kapp-/gjæringsag *	
Produksjonsnummer	4601 74 01... ... 000001-999999
Spenning vekselbatteri	18 V
Tomgangsturtall	3900 min ⁻¹
Sagblad-ø x hull-ø	254 × 30 mm
Tykkelse på sagbladhus	1,6 mm
Tykkelse på sagbladtann	2,2 mm
Skjærekapasitet maks	
Gjæring 0°/ Skråstilling 0°	90 mm × 305 mm
Gjæring 0°/ Skråstilling 45° ↘	39 mm × 305 mm
Gjæring 0°/ Skråstilling 45° ↙	43 mm × 305 mm
Gjæring ↘ 45°/ Skråstilling 0°	90 mm × 215 mm
Gjæring ↙ 45°/ Skråstilling 0°	50 mm × 215 mm
Gjæring 45°/ Skråstilling 45° ↘	39 mm × 215 mm
Gjæring 45°/ Skråstilling 45° ↙	43 mm × 215 mm
Min. verktøymå	215 × 35 × 2,5 mm
Vekt i henhold til EPTA-Prosedyren 01/2003 (Li-Ion 5.0 Ah)	16,3 kg
Støyinformasjon	
Måleverdier fastslått i samsvar med EN 61029. Det typiske A-bedømte støynivået for maskinen er:	
Lydtrykknivå (Usikkerhet K=3dB(A))	89,0 dB (A)
Lydeffektnivå (Usikkerhet K=3dB(A))	98,5 dB (A)
Bruk hørselsvern!	
Vibrasjonsinformasjoner	
Totalt svingningsverdier (vektorsum fra tre retninger) beregnet jf. EN 61029.	
Saging av tre: Svingningsemisjonsverdi a _h	1,1 m/s ²
Usikkerhet K=	1,5 m/s ²

* PS ≙ Kapp-/gjæringsag

ADVARSEL!

Svingningsnivået som er angitt i denne instruksjonen er målt i overensstemmelse med målemetoden normert i direktiv EN 61029 og kan brukes til å sammenligne elektromaskiner med hverandre. Den egner seg også for en foreløbig vurdering av svingningsbelastningen.

Det angitte svingningsnivået representerer de hovedsaklige bruk av elektroverktøyet. Men anvendes elektroverktøyet for andre bruk med avvikende utskiftbare verktøyer eller vedlikeholdet er utilstrekkelig, kan svingningsnivået være avvikende.

Dette kan forhøye svingningsbelastning betydelig over hele arbeidsperioden. For en nøyaktig vurdering av svingningsbelastningen må også det tas hensyn til tiden apparatet er avslått eller står på, men ikke er i bruk. Dette kan redusere svingningsbelastningen betydelig over hele arbeidsperioden.

Innfor også ekstra sikkerhetstiltak for å beskytte bruker mot utvirkningen av svingningene. Disse kan f.eks. være: vedlikehold av elektroverktøyet og det utskiftbare verktøyet, holde hendene varme, organisasjon av arbeidsforløpet.

⚠ ADVARSEL Les alle sikkerhetsinstruksjoner og bruksanvisninger. Feil ved overholdelsen av advarslene og nedenstående anvisninger kan medføre elektriske støt, brann og/eller alvorlige skader.

Ta godt vare på alle advarslene og informasjonene.

ALLMENNE SIKKERHETSINSTRUKSER



ADVARSEL

Ved bruk av elektroverktøy skal følgende allmenne sikkerhetstiltak for beskyttelse mot elektrisk slag, fare for skader og brannfare tas hensyn til. Les alle disse instruksene før elektroverktøyet tas i bruk og ta godt vare på sikkerhetsinstruksene.

Hold arbeidsområdet ryddig. Rotete områder og benker kan forårsake skader.

Tenk på arbeidsmiljøet. Ikke utsett verktøy for regn. Ikke bruk verktøy i fuktige eller våte omgivelser. Hold arbeidsområdet godt opplyst. Ikke bruk verktøy i nærheten av brennbare væsker og gasser.

OBS! Fare for strømslag. Unngå kontakt med deler med jording som rør, varmeovner, komfyrer eller kjøleskap.

Hold andre mennesker borte. Ikke la personer, spesielt barn, som ikke er involvert i arbeidet, berøre verktøyet eller forlengelsen, og hold dem borte fra arbeidsområdet.

Sett vekk verktøy som ikke er i bruk. Verktøy som ikke er i bruk, bør oppbevares på tørt, avlukket sted og utenfor rekkevidde for barn.

Bruk riktig verktøy. Bruk ikke for små verktøy for jobber som krever kraftigere verktøy.



Nor

Kle deg forsvarlig. Ikke bruk for løse klær og fjern smykker som kan hekte seg opp i bevegelige deler.

Bruk verneutstyr. Bruk vernebriller. Bruk ansikts- eller støv maske hvis arbeidsoppgavene avgir mye støv.

Dra aldri i ledningen for å fjerne den fra kontakten. Hold ledningen unna varme, olje og skarpe deler.

Sikre materialet. Der det er mulig, bruk klemmer eller en skrustikke for å holde materialet på plass. Det er sikrere enn å bruke hånden.

Ikke len Dem for langt ut og pass hele tiden på at De holder balansen.

Behandle verktøyet med forsiktighet. Hold skjæreknivn skarpt og ren for bedre og tryggere ytelse. Følg instruksjoner for smøring og skifte av tilbehør. Pass på sjekke verktøyets ledninger regelmessig, og få de reparert ved et autorisert serviceverksted ved skade. Kontrollerer skjøteledninger regelmessig og skift ut ved skade.

Koble fra verktøy. Verktøyet må kobles fra strømforsyningen når det ikke er i bruk, trenger service eller ved bytte av tilbehør som blader, bits og kniver.

Fjern pipenøkkel og skiftenøkkel. Gjør det til en vane å sjekke at pipenøkler og skiftenøkler er ryddet unna verktøyet før du slår det på. Sjekk at bryteren er satt til "av" posisjon før du installerer batteri.

Bruk utendørs skjøteledninger. Når verktøyet brukes utendørs, pass på at det er skjøteledninger som er merket og egnet for utendørs bruk.

Vær oppmerksom. Vær oppmerksom på hva du holder på med, bruk sunn fornuft, og ikke bruk verktøyet hvis du føler deg trøtt.

Kontroller verktøyet for skader eller materialtretthet før du tar det i bruk. Sjekk at bevegelige deler sitter som de skal, brudd på deler, montering eller andre forhold som kan påvirke ytelsen.

Ikke ta maskinen i bruk hvis sikkerhetsskjerm ikke er på plass og fungerer ordentlig.

Skader skal med en gang repareres av et autorisert fagverksted. Ikke bruk verktøyet hvis av- og på knappen ikke fungerer.

ADVARSEL Bruk av annet tilbehør eller deler enn det som er anbefalt i denne brukerhåndboken, kan utgjøre en risiko for personskader.

La bare en kvalifisert person reparere verktøyet ditt.

Dette verktøyet er i samsvar med gjeldende sikkerhetsregler. Reparasjoner skal bare utføres av kvalifiserte personer og kun med originale reservedeler, unntak av dette kan medføre betydelig fare for brukeren.

SIKKERHETSREGLER FOR GJÆRINGSSAGER

Forsikre deg om at materialet alltid er sikret på beste måte.

Kontroller at maskinen alltid står stabil (f. eks at den er festet på arbeidsbenken..

Bruk hørselsvern. Støy kan føre til tap av hørselen.

Ta alltid på vernebrille ved bruk av maskinen. Det anbefales å bruke hansker for håndtering av blader og grovt materiale, samt robuste sklisikre sko som beskytter føttene mot deler fra materialet som kan falle fra arbeidsområdet.

Fjern alltid plugg eller batteri før du utfører justeringer, vedlikehold eller rengjøring av maskinen.

Sikre at maskinen er slått av før du installerer eller fjerner batteri.

Arbeid aldri med sagbladet plassert foran deg.

Arbeid alltid med sagbladet på siden av deg.

Hold hender, fingre og armer unna det roterende sagbladet.

Hold deg borte fra området nær sagbladet, til maskinen har kommet til fullstendig stopp.

Kontroller verktøyet for skader eller materialtretthet før du tar det i bruk. Skadede deler skal bare repareres av en fagmann.

Bruk alltid maskinens beskyttelsesinnretninger. Ikke ta maskinen i bruk hvis sikkerhetsskjerm ikke er på plass og fungerer ordentlig.

Det bevegelige vernedekselet må ikke klemmes fast i åpent tilstand.

Hvis arbeidsstykket eller bladet kjører seg fast, skru av gjæringsssagen. Vent til de bevegelige delene slutter å bevege seg, og trekk ut pluggen fra strømkilden og/eller ta ut batteripakken. Fjern deretter det fastkjørte materialet.

Foreta aldri noen endringer på sagen eller på noen av dens funksjoner. Du kan bli utsatt for fare.

Ikke bruk sagblad som er sprukket, skadet eller deformert.

Bruk ingen sageblad laget av hurtigstål .

Bruk bare skarpe sagblad. Sløve sagblad må skiftes ut med nye.

Bruk en holder for bladet eller bruk hansker når du håndterer et sagblad.

Bruk alltid sagblad med rett størrelse og med passende festehull. Sagblad som ikke passer sammen med sagens montasjedeler, går rundt og fører til tap av kontrollen.

Bare blad egnet for tre-arbeide bør benyttes, i følge retningslinjer i håndboken EN 847-1.

For å sikre sagbladet, må du ikke bruke andre flenser, skiver og muttere enn de som er inkludert eller angitt bruksanvisningen.

Det på sagbladet angitte maksimum omdreiningsstallet må overholdes.

Bruk sagblad som er egnet for materialet som skal sages.

Bruk bare den type gjæringsagg for kutting av materiale, som spesifisert i bruksområde-henvisningen i denne håndboken.

Erstatt bordinnlegget når det er utslitt eller skadet.

Før du starter arbeidet, gjør et prøvekutt, så posisjonen av bladet, effekten av sikkerhetsskjermer og materiale kan kontrolleres.

Ikke fjern sagerester eller andre deler av arbeidsstykker fra sagens område mens maskinen går og sagehode ikke befinner seg i hvilestilling.

Ved transport av maskinen, skal det kun benyttes spesifikke transport innretninger. Sikkerhetsskjermer er ikke egnet for slik transport.

Transporter kappsagen bare når transportsikringen på håndtaket griper riktig inn i sikringen.

Gulver skal være fritt for spon og sagerester.

Langt materiale skal støttet på egnet måte.

Arbeidsstykker med runde eller uregelmessig tverrsnitt (f.eks ved) skal ikke sages, fordi disse ikke kan holdes sikkert ved sagingen. Ved saging av flate arbeidsstykker på høyt kant skal det brukes et egnet hjelperedskap for sikker føring av arbeidsstykket.

Støv som oppstår under arbeidet er ofte helsefarlig og bør ikke komme inn i kroppen. Bruk støvavsug og i tillegg egnede støvbeskyttelsesmaske. Fjern oppsamlet støv grundig, f.eks. oppsuging.

Koble sagen til en støvsuger når det sages i tre.

Skift aldri LED eller laser med en annen type enn den anbefalte.

Eventuelle reparasjoner må bare utføres av produsenten eller autoriserte personer.

Ikke bruk sagblad som ikke er i tråd med egenskapene i denne bruksanvisningen.

Verktøyene må oppbevares og transporteres i egnet beholder;

Feil i maskinen, også innefattet verneinnretningen eller sagebladene, skal med en gang de oppdages, meldes til personen som er ansvarlig for sikkerheten.

Når du kutter med gjær-, kapp- eller kombisag, juster sleidesikringen for å sikre riktig avstand til bladet.

Unngå, ved bruk av en tilpasset starthastighet, overoppheting av sagbladets tenner og ved kutting av plastikk at materialet smelter.

ADVARSEL Ikke skift ut LEDen mot en annen type.

KNIVBLADER FOR TRE-ARBEIDE. SPESIELLE SIKKERHETSHENVISNINGER

Les håndbok og instruksjoner nøye før du tar i bruk sagblad og maskin.

Maskinen må være i god stand, spindelen må ikke være skadet eller vibrere under bruk.

Bruk aldri sagen uten sikkerhetsskjermer i rett posisjon, sørg for at de er vedlikeholdt og fungerer tilfredsstillende.

Vær sikker på at operatøren er tilstrekkelig opplært i sikkerhetstiltak, justering og håndtering av maskinen.

Anvend alltid vernebriller og hørselsvern når du bruker maskinen. Det anbefales å bruke hansker, gode sklisikre sko og forkle.

Les bruksanvisningen før du tar i bruk tilbehør. Feil bruk av tilbehør kan føre til skade, og øke faren for skade.

Anvend bare blader, i samsvar med EN 847-1, som er angitt i denne brukerhåndboken.

Vær oppmerksomhet på maksimal hastighet på sagbladet. Sikre deg om at hastigheten markert på sagbladet tilsvarer hastigheten på sagen.

Bruk alltid sagblad med rett størrelse og med passende festehull. Sagblad som ikke passer sammen med sagens montasjedeler, går urundt og fører til tap av kontrollen.

Ikke bruk blader med større eller mindre diameter enn det som er anbefalt. Bruk aldri navringer for å tilpasse bladet til spindelen.

Sjekk alltid taggene på sagbladet for skader eller avvik før de tas i bruk. Sagbladtagger som er skadet eller løse, kan løsne under bruk og utgjøre en fare for personskaade.

Sagblad som har sprekker eller som har endret form må ikke brukes! Bruk ingen sageblad som er skadet eller deformert

Kast sagblad som er skadet, deformert, forvrenget eller sprukket. Det er ikke tillatt å reparere disse.

Bruk ingen sageblad laget av hurtigstål.

Sikre at sagblad er forsvarlig montert og stram til mutteren tilstrekkelig før bruk (Tiltrekningsmoment ca. 12 Nm).

Festeskrue og mutter skal strammes til ved hjelp av passende skiftnøkkel etc.

Utvidelse med skiftesnøkkel eller stramming ved bruk hammer, er ikke tillatt.

Pass på at blad og flenser er rene, og at de innfelte sidene av kragen er inn mot bladet.

Kontroller at bladet roterer i riktig retning.

Før du starter arbeidet, gjør et prøvekutt, så posisjonen av bladet, effekten av sikkerhetsskjermer og materiale kan kontrolleres.

Forlat aldri maskinen uten oppsyn.

Tilfør aldri smøremidler på bladet når maskinen er i gang.

Foreta aldri rengjøring eller vedlikehold når maskinen er i gang og kuttehodet ikke er i stille posisjon.

Prøve aldri å stoppe en maskin som er i bevegelse ved bruk av et annet verktøy mot sagbladet, dette kan føre til alvorlige ulykker som ikke var tilsiktet.

Koble alltid fra strøm eller ta ut batteri før skifte av skjærebled eller utførelse av vedlikehold.

Vær oppmerksom på bladet ved pakking og utpakking, det er lett å skade seg på de skarpe taggene.

Bruk en holder for bladet eller bruk hansker når du håndterer et sagblad.

Oppbevar bladet i originalemballasjen eller annet egnet emballasje, i tørre forhold vekk fra kjemikalier som kan skade bladet.

SPESIELLE SIKKERHETSHENVISNINGER LASER

Laserstråling som brukes i denne sagen er klasse 1 med maksimum < 1mW og 650nm bølglengder. Unngå å se på den direkte ved bruk av optiske instrumenter. Unnvikelse fra disse reglene kan føre til alvorlig personskaade.

Unngå å se rett på strålen under arbeid.

Ikke rett strålen i retning av andre mennesker. Kan føre til alvorlige skade på øyet.

Ikke plasser strålen på en slik måte at noen er nødt til å se rett inn i den, med eller uten tilsiktet vilje.

Ikke bruk optisk verktøy for å se laserstrålen.

Laseren må ikke brukes i nærheten av barn, og de må aldri få lov til å bruke den.

Ikke forsøk å reparere laserenheten på egenhånd.

Du må aldri bytte ut eller endre deler på laseren på egenhånd.

Eventuelle reparasjoner må bare utføres av produsenten eller autoriserte personer.

ADVARSEL Bytt ikke innebygget laser ut mot en annen type laser.

Rett ikke laseren mot reflekterende flater.

Utsett deg ikke for laserstråling. Laseren kan sende ut sterk stråling.

FORMÅLSMESSIG BRUK

Gjæringsssagen er ment for bruk til saging av solid og limt treverk, finer som er limt eller ikke limt, plast eller trelignende materialer.

Gjæringsssagen skal brukes bare av voksen operatører som har lest bruksanvisningen og forstår risiko og farer.

Gjæringsssagen er utformet for å festes til toppen av benke topp. Hvis toppen ikke er forsvarlig festet, så kan hele maskinen forflytte seg under arbeidet, noe som øker faren for alvorlig personskaade.

Gjæringsssagen er laget for å kutte skråkanter og gjæringskutt. Oversikt over de forskjellige kuttmetodene finnes i produktspesifikasjonene i denne håndboken.

Gjæringsssagen skal brukes i tørre forhold, med passende dempet belysning og ventilasjon.

Gjæringsssagen er bare beregnet for privat bruk og skal bare brukes utifra gitte beskrivelser og ikke til andre formål.



RESTFARER

Selv om gjæringsdagen brukes som beskrevet, er det umulig å eliminere alle risikofaktorer. Visse farer kan oppstå, og operatøren bør være veldig oppmerksom på følgende:

- Risikoen for kontakt med uskjærmede deler av det roterende sagbladet.
- Løse biter fra materialet grunnet dårlig sikring eller justering.
- Flyvende defekte karbid spisser fra sagbladet. Bruk vernebriller hele tiden.
- Skade på luftveiene. Bruk vernemasker med filter som er tilpasset materialet det jobbes med. Sikre tilstrekkelig ventilasjon på arbeidsplassen. Ikke spis, drikk eller røyk i arbeidsområdet.
- Brukes et slitt hørselsvern, kan dette skade hørselen.

ADVARSEL Støv fra visse typer maling, belegg og materialer kan forårsake irritasjon eller gi allergiske reaksjoner. Støv av tre som eik, bok, MDF og andre er kreftfremkallende. Materialer som inneholder asbest bør bare jobbes med, eller behandles av kvalifiserte operatører.

ADVARSEL Skader kan oppstå eller forverres ved langvarig bruk av et verktøy. Pass på at du tar regelmessige pauser, når du jobber med slike verktøy over lengre perioder.

BATTERIER

Vekselbatterier som ikke er brukt over lengre tid skal etterlades før bruk.

En temperatur over 50°C reduserer vekselbatteriets kapasitet. Unngå oppvarming i sol eller ved varmeovner (fyring) i lengre tid. Hold tilkoplingskontaktene på lader og vekselbatteri rene.

For optimal holdbarhet må batteriene lades opp helt etter bruk.

For å sikre en lengst mulig brukstid av batteriene skal disse etter oppladning taes ut av laderen.

Ved lagring av batteriene lengre enn 30 dager: Lagre batteriet tørt ved ca. 27°C. Lagre batteriet ved en oppladningstilstand på ca. 30%-50%. Lade opp batteriet igjen etter 6 måneder.

Under ekstreme belastninger og ekstreme temperaturer kan det lekke ut batterivæske fra utskiftbare batterier. Ved berøring med batterivæske, vask umiddelbart med såpe og vann. Ved kontakt med øynene må øynene skylles grundig i rennende vann i minst 10 minutter. Oppsøk lege umiddelbart.

Ikke oppbevar vekselbatterier sammen med metallgjenstander (kortslutningsfare).

Ikke kast brukte vekselbatterier i varmen eller husholdningsavfallet. AEG tilbyr en miljøriktig deponering av gamle vekselbatterier; vennligst spør din fagforhandler.

BATTERI OG LADER

Kompatible batterier (ikke inkludert): System GBS

Kompatibel lader (ikke inkludert): System GBS

Vekselbatterier av systemet GBS skal kun lades med lader av systemet GBS. Ikke lad opp batterier fra andre systemer.

TRANSPORT AV LITIUM-ION-BATTERI

Litium-ion-batterier faller under de lovfestede forskriftene om transport av farlig gods.

Transporten av disse batteriene må rette seg etter lokale, nasjonale og internasjonale forskrifter og bestemmelser.

Forbruker har lov å transportere disse batteriene på gaten uten reglementering.

Den kommersielle transport av Litium-ion-batterier av spedisjonsfirma faller under bestemmelsene om transport av farlig gods. Forberedningene av forsendelsen og transport skal utelukkende gjennomføres av personer som har blitt skolert til dette. Hele prosessen skal følges opp av fagfolk.

Følgende punkter skal tas hensyn til ved transport:

Kontroller at kontaktene er beskyttet og isolert for å unngå kortslutninger. Pass på at batteripakken i forpakningen ikke kan skli fram og tilbake. Skadede eller batterier som lekker er det ikke lov å transportere. Ta kontakt med spedisjonsfirma for ytterligere henvisninger.

OVERBELASTNINGSVERN FOR OPPLADBARE BATTERIER

Ved overbelastning av det oppladbare batteriet p.g.a. svært høyt strømforbruk; f.eks. ekstrem høye dreiemoment, plutselig stopp eller kortslutning, vibrert elektroverktøyet 5 sekunder, displayet for opplading blinker og elektroverktøyet utkobler seg automatisk. For gjeninnkobling, slipp løs bryteren og slå på igjen. Ved ekstreme belastninger opphører det oppladbare batteriet seg for sterkt. I slike tilfeller blinker alle lampene på displayet til batteriet er avkjølt. Når lampene har sluttet å blinke, kan man fortsette å arbeide.

Sett batteriet da i laderen for å få det oppladet og aktivert igjen

VEDLIKEHOLD

Du må aldri modifisere denne saken på noe som helst måte, eller bruke tilbehør som ikke er godkjent av produsenten. Både din og andres sikkerhet vil da settes i fare.

Bruk ikke saken hvis brytere, sikkerhets skjerm eller andre funksjoner ikke fungerer på riktig måte. Bruk bare autoriserte servicesentere for profesjonell reparasjon eller justering av verktøyet.

Foreta aldri noen justeringer så lenge bladet er i bevegelse.

Fjern batteri før du foretar justeringer, smøring, eller vedlikehold av maskinen.

Sjekk alltid saken for skade eller ødelagte deler før og etter bruk, og sørg for at den er godt vedlikeholdt ved umiddelbart skifte av reservedeler godkjent av produsenten.

Etter bruk vil bladet være svært varmt, og det er derfor nødvendig å benytte hansker og la det kjøle ned seg før utførelse av vedlikehold og rengjøring.

Fjerne oppsamlet støv med en kost eller støvsuger. Ikke bruk trykkluft.

For å sikre pålitelighet og sikkerhet, bør alle reparasjoner, inkludert skifte av børste, utføres av et autorisert servicesenter.

Vær sikker på at støpslet er trukket ut av strømkontakten før det demonteres eller monteres sagblad.

Rengjør apparatet og verneinnretningen med en tørr klut.

Hold alltid luftenåpningene på maskinen rene.

RESERVEDELER

Bruk kun AEG tilbehør og reservedeler. Komponenter der utskifting ikke er beskrevet skal skiftes ut hos AEG kundeservice (se brosjyre garanti/kundeserviceadresser).

Ved behov kan du be om en eksplosjonstegning av apparatet hos din kundeservice eller direkte hos Techtronic Industries GmbH, Max-Eyth-Straße 10, 71364 Winnenden, Germany. Oppgi maskintype og det nummeret på typeskiltet.



Nor

CE-SAMSVARERKLÆRING

Vi erklærer i alene ansvar at produktet beskrevet i „Teknisk data“ overensstemmer med alle relevante forskrifter til Eu direktiv 2011/65/EU
2006/42/EC
2014/30/EU
og de følgende harmoniserte normative dokumentene. fyrstikker
EN 61029-1:2009 + A11:2010
EN 61029-2-9:2012 + A11:2013
EN 55014-1:2006+A1:2009+A2:2011
EN 55014-2: 1997+A1:2001+A2:2008
EN 50581:2012



Winnenden, 2016-12-02

Alexander Krug / Managing Director
Autorisert til å utarbeide den tekniske dokumentasjonen
Techtronic Industries GmbH
Max-Eyth-Straße 10, 71364 Winnenden, Germany

SYMBOLER



OBS! ADVARSEL! FARE!



Ta ut vekselbatteriet før du arbeider på maskinen



Les nøye gjennom bruksanvisningen før maskinen tas i bruk.



Bruk alltid vernebrille når du arbeider med maskinen.



Bruk hørselsvern!



Bruk vernehansker !



Åpne skruen / Rotasjonsretningen



Hold hendene borte fra området til sagebladet.



Apparatet er kun egnet for bruk innendørs, det må ikke utsettes for regn.



Se ikke inn i laseren.



This product corresponds to the laser class 1 in accordance with EN 60825-1:2014.



Ø30 mm
Ø254 mm
Sagblad-ø x hull-ø



Rotasjonsretningen



knivtenner



Skjærebredde



Elektriske apparat skal ikke kastes sammen med vanlig husholdningsavfall. Elektriske og elektroniske apparat skal samles separat og leveres til miljøvennlig deponering til en avfall bedrift. Informer deg hos myndighetene på stedet eller hos din fagforhandler hvor det finnes recycling bedrifter oppsamlingssteder.



CE-tegn



UkrSEPRO Konformitetstegn.



EurAsian Konformitetstegn.



Nor

TEKNISKA DATA	BPS18-254BL
Kap-/geringsåg *	
Produktionsnummer	4601 74 01... ... 000001-999999
Batterispänning	18 V
Tomgångsvarvtal, obelastad	3900 min ⁻¹
Sågklinga- \emptyset x hål- \emptyset	254 x 30 mm
Tjockleken på sågbladens kropp	1,6 mm
Tjockleken på sågbladens tänder	2,2 mm
Skäreffekt max.	
Gering 0°/ Lutning 0°	90 mm x 305 mm
Gering 0°/ Lutning 45° ↘	39 mm x 305 mm
Gering 0°/ Lutning 45° ↙	43 mm x 305 mm
Gering ↘ 45°/ Lutning 0°	90 mm x 215 mm
Gering ↙ 45°/ Lutning 0°	50 mm x 215 mm
Gering 45°/ Lutning 45° ↘	39 mm x 215 mm
Gering 45°/ Lutning 45° ↙	43 mm x 215 mm
Min. avmätning av arbetsstycket	215 x 35 x 2,5 mm
Vikt enligt EPTA 01/2003 (Li-Ion 5.0 Ah)	16,3 kg
Bullerinformation	
Mätvärdena har tagits fram baserade på EN 61029. A-värdet av maskinens ljudnivå utgör:	
Ljudtrycksnivå (Onoggrannhet K=3dB(A))	89,0 dB (A)
Ljudeffektsnivå (Onoggrannhet K=3dB(A))	98,5 dB (A)
Använd hörselskydd!	
Vibrationsinformation	
Totala vibrationsvärden (vektorsumma ur tre riktningar) framtaget enligt EN 61029.	
Sågning i trä: Vibrationsemissionsvärde a_h	1,1 m/s ²
Onoggrannhet K=	1,5 m/s ²

* PS \triangleq Kap-/geringsåg

VARNING!

Den i de här anvisningarna angivna vibrationsnivån har uppmätts enligt ett i EN 61029 normerat mätförfarande och kan användas vid jämförelse mellan olika elverktyg. Nivån är även lämplig att använda vid en preliminär bedömning av vibrationsbelastningen.

Den angivna vibrationsnivån representerar den huvudsakliga användningen av det aktuella elverktyget. Men om elverktyget ska användas i andra användningsområden, tillsammans med avvikande insatsverktyg eller efter otillräckligt underhåll, kan vibrationsnivån skilja sig. Det kan öka vibrationsbelastningen betydligt under hela arbetstiden.

För att få en exaktare bedömning av vibrationsbelastningen ska även den tid beaktas, under vilken elverktyget är avstängt eller är påslaget, utan att det verkligen används. Det kan reducera vibrationsbelastningen betydligt under hela arbetstiden.

Lägg som skydd för användaren fast extra säkerhetsåtgärder mot vibrationernas verkan, som till exempel: underhåll av elverktyg och insatsverktyg, varmhållning av händer och organisering av arbetsförlopp.

⚠ VARNING Läs alla säkerhetsanvisningar och andra tillhörande anvisningar. Fel som uppstår till följd av att anvisningarna nedan inte följts kan orsaka elstöt, brand och/eller allvarliga kroppsskador.

Förvara alla varningar och anvisningar för framtida bruk.

ALLMÄNNA SÄKERHETSANVISNINGAR



VARNING

När man använder elverktyg ska man alltid beakta följande principiella säkerhetsåtgärder resp. anvisningar för att skydda sig mot elstötar samt risken att skada eller bränna sig. Läs noga igenom alla dessa anvisningar och informationer innan du använder detta elverktyg första gången och förvara säkerhetsanvisningarna väl.

Håll arbetsområdet fritt. Oreda på arbetsplatser och arbetsbänkar ökar risken för personskador.

Ta hänsyn till arbetsområdets omgivning. Utsätt inte verktyg för regn. Använd inte verktyg i fuktiga eller våta utrymmen. Håll arbetsområdet väl belyst. Använd inte verktyg i närheten av lättantändliga vätskor eller gaser.

Varning! Risk för elektriska stötar! Undvik kroppskontakt med jordade delar, som t.ex. rör, värmeelement, spisar eller kylskåp.

Håll andra personer på avstånd. Låt inte personer, särskilt barn, som inte deltar i arbetet, vidröra verktyget eller förlängningskablen, och håll dem borta från arbetsområdet.

Lagra verktyg som inte är igång. Verktyg som inte används ska förvaras i ett torrt läst utrymme utom räckhåll för barn.

Använd rätt verktyg. Tvinga inte små verktyg att utföra kraftiga verktygs jobb.

Använd rätt kläder. Använd inte löst sittande kläder eller smycken, de kan fastna i rörliga delar.

Använd skyddsutrustning. Används skyddsglasögon. Använd en ansikts- eller dammskyddsmask om arbetet skapar damm.

Dra aldrig in kabeln för att dra ut den ur vägguttaget. Håll kabeln borta från värme, olja och skarpa kanter.

Säkra arbetsstycket. Om möjligt använd skruvtvingar eller skruvstycke för att fixera arbetet. Det är säkrare än att använda din hand.

Luta dig inte ut för långt och se till att du alltid håller balansen.

Underhåll verktyg omsorgsfullt. Håll skärverktygen skarpa och rena för bättre och säkrare prestanda. Följ instruktionen för smörjning och byte av tillbehör. Kontrollera verktygens sladdar med jämna mellanrum och låt en auktoriserad serviceverkstad reparera dem om de är skadade. Kontrollera förlängningsladdar regelbundet och byt ut dem om de är skadade.

Frånkoppla verktygen. När de inte används, före underhåll och vid byte av tillbehör såsom blad, bits och fräsar, måste verktyg skiljas från elnätet.

Ta bort justeringsnycklar och skruvnycklar. Gör det till en vana att förvissa dig om att alla nycklar och justeringsnycklar har tagits bort från verktyget innan du slår på det.

Se till att strömbrytaren står på "off" när du installerar batteriet.

Använd förlängningskablar för utomhusbruk. När verktyget används utomhus, använd endast förlängningsladdar som är avsedda för utomhusbruk och är märkta på motsvarande sätt.

Var uppmärksam. Titta på vad du gör, använd sunt förnuft och använd inte verktyget när du är trött.

Före användning måste verktyget kontrolleras noga med avseende på eventuella skador eller materialutmattning. Kontrollera inställningen av rörliga delar, anslutningen av rörliga delar, brott på delar, montering och andra förhållanden som kan påverka dess drift.

Använd inte maskinen om skyddsanordningarna inte är på plats och fungerar korrekt.

Kontakta omedelbart en auktoriserad fackverkstad för reparation om produkten skulle vara skadad. Använd inte verktyget om strömbrytaren inte slår på och stänger det.

VARNING Användning av andra tillbehör eller tillsatser än de som rekommenderas i denna bruksanvisning kan medföra risk för personskadorna.

Låt endast kvalificerade personer reparera ditt verktyg. Detta elverktyg överensstämmer med relevanta säkerhetsföreskrifter. Reparationer bör endast utföras av kvalificerade personer som använder original reservdelar. I annat fall kan användaren utsättas för allvarliga risker.

SÄKERHETSANVISNINGAR FÖR GERINGSÅGAR

Fäst alltid arbetsstycket på ett säkert sätt.

Se till att maskinen alltid står stadigt (t.ex. genom att fästa den på arbetsbänken)..

Bär hörselskydd. Buller kan leda till att du förlorar hörseln.

Använd alltid skyddsglasögon när du använder maskinen. Det rekommenderas att använda handskar vid hantering av blad och grova material, samt kraftiga halkfria skor som även skyddar fötterna från arbetsstycken som kan falla ner från skärområdet.

Dra alltid ut kontakten eller ta ut batteriet innan det utförs justering, underhåll eller rengöring på maskinen.

Förvissa dig om att maskinen är avstängd innan du installerar eller tar bort batteriet.

Stå inte i en linje med sågbladet framför maskinen.

Stå alltid avses från sågbladet.

Håll händer, fingrar och armar borta från det roterande sågbladet. Ta aldrig in i området nära bladet, utom när bladet har stannat helt.

Före användning måste verktyget kontrolleras noga med avseende på eventuella skador eller materialutmattning. Endast en fackman får reparera skadade delar.

Använd alltid maskinens skyddsanordningar. Använd inte maskinen om skyddsanordningarna inte är på plats och fungerar korrekt. Sågens pendelskyddskåpa får ej fastslås.

Om arbetsstycket eller sågbladet fastnar, ska du stänga av geringssågen. Vänta tills alla rörliga delar har stannat och dra ut stickproppen ur kraftkällan och/eller ta ut batteripaketet. Ta sedan loss det fastklämda materialet.

Förändra eller modifiera aldrig sågen eller dess funktion. Din säkerhet kan äventyras.

Använd inte sågklingor som är spruckna, skadade eller deformerade.

Använd inga sågklingor som är tillverkade av high-speed stål.

Använd endast skarpa sågblad. Byta ut slöa sågblad mot nya.

Använd en bladhållare eller använd handskar när du hanterat ett sågblad.

Använd alltid sågklingor med rätt storlek och lämpligt infästningshål.

Sågklingor som inte passar till sågens monteringskomponenter roterar orunt och leder till att kontrollen förloras över sågen.

Använd endast sågblad för träbearbetning som uppfyller EN 847-1 och anges i denna manual.

Använd inga flänsar, brickor och muttrar för att fästa sågbladet förutom de som levererats eller som anges i bruksanvisningen.

Det maximala varvtalet som står på sågklingan får inte överskridas.

Välj en sågklinga som lämpar sig för materialet som ska sågas.

Använd aldrig geringssågen för att kapa andra material än de som anges under avsedd användning i denna bruksanvisning.

Byta ut bordsinsatsen om den är sliten eller skadad.

Innan arbetet påbörjas, gör ett provsnitt utan att motorn är påslagen för att kontrollera bladets placering, skyddsanordningarnas funktion under hänsynstagande av andra maskinkomponenter och arbetsstycket.

Avlägsna ej några sågningsrester eller andra delar av arbetsstycket från sågens arbetsområde, när maskinen är i gång och såghuvudet inte är i viloläge.

Vid transport av maskinen använd endast transportanordningar och aldrig sågskydd för hantering eller transport.

Transportera kapsågen endast med hjälp av handtaget - transportsäkring måste ha gått i lås.

Se till att golvet alltid är fritt från materialrester t.ex. spån och sågrester.

Stötta långa arbetsstycken på lämpligt sätt.

Arbetsstycken med runt eller oregelbundet tvärsnitt (t.ex. ved) får ej sågas, eftersom dessa inte kan fixeras på ett säkert sätt. För att såga plana arbetsstycken vertikalt, skall användas lämpligt stödsnag för säker styrning av arbetsstycket.



Damm som uppkommer vid arbeten med denna maskin kan vara skadligt för hälsan om de når kroppen. Använd ett utsugningssystem och bär skyddsmask. Avlägsna kvarblivande damm med t.ex. en dammsugare.

Anslut sågen till en dammsugning när du sågar trä.

Ersätt aldrig lysdioden eller lasern med en annan typ. Reparationer får endast utföras av tillverkaren eller auktoriserad kundtjänst.

Sågklinga, vars värden inte överensstämmer med data i denna bruksanvisning, får ej användas.

Verktygen måste transporteras och förvaras i en därtill lämplig behållare;

Fel på maskinen, inklusive skyddsanordningen, ska omgående meddelas säkerhetsansvarig.

Justera styrskenan när du utför geringssnitt, avfasningssnitt eller sammansatta geringssnitt för att försäkra dig om korrekt säkerhetsmarginal från klingan.

Se till att matningshastigheten inte är för hög för att förhindra att sågbladets kuggar blir för varma och att materialet smälter när du sågar i plast.

VARNING Byt inte ut LED:n mot en annan.

TRÄSÄGBLAD SÄKERHETSUTRUSTNING

Läs igenom manualen och instruktionerna noga innan du använder sågbladet och maskinen.

Maskinen måste vara i gott skick, spindeln utan deformation och vibrationer.

Använd inte sågen utan att skyddsanordningarna är på plats, funktionsdugliga och väl underhållna.

Se till att operatören är tillräckligt utbildad när det gäller säkerhetsåtgärder, justering och maskinens drift.

Bär alltid skyddsglasögon och hörselskydd när du använder maskinen. Det rekommenderas att bära handskar, kraftiga halkfria skor och förkläde.

Titta i bruksanvisningen innan du använder ett tillbehör. Icke fackmässig användning av tillbehör kan orsaka skador och öka risken för personskador.

Använd endast blad som uppfyller EN 847-1 och anges i denna manual.

Beakta den maximala hastigheten som anges på sågbladet. Förvissa dig om att hastigheten på sågbladet är åtminstone lika med den hastighet som står på sågen.

Använd alltid sågklingor med rätt storlek och lämpligt infästningshåll.

Sågklingor som inte passar till sågens monteringskomponenter roterar orunt och leder till att kontrollen förloras över sågen.

Använd inte blad med större eller mindre diameter än den som rekommenderas. Använd inga mellanlägsbrickor för att få bladet att passa på spindeln.

Kontrollera sågbladets spetsar med avseende på skador eller normalt utseende före varje användning. Spetsar som är skadade eller lösa kan bli till flygande föremål vid drift och öka risken för personskador.

Spruckna sågklingor eller sådana som förändrat form får ej användas! Använd inga sågblad som har tagit skada eller är defomrerade.

Skrota sågbladet om det är skadat, deformerat, förvrängt eller sprucket. Reparation är inte tillåten.

Använd inga sågklingor som är tillverkade av high-speed stål.

Se till att sågbladet är korrekt monterat, dra åt spindelns mutter ordentligt före användning (åtdragningsmoment ca 12 Nm).

Fästskruv och muttrar ska dras åt med hjälp av en passande skruvnyckel, etc.

Förlängning av skruvnyckeln eller åtdragning med hjälp av hammarslag är inte tillåtet.

Se till att bladet och flänsarna är rena och de försänkta sidorna på kragen ligger an mot bladet.

Se till att bladet roterar i rätt riktning.

Innan arbetet påbörjas, gör ett provsnitt utan att motorn är påslagen för att kontrollera bladets placering, skyddsanordningarnas funktion under hänsynstagande av andra maskinkomponenter och arbetsstycket.

Lämna aldrig maskinen utan uppsikt.

Applicera inte smörjmedel på bladet när det roterar.

Utför aldrig rengörings- eller underhållsarbete när maskinen fortfarande är igång och huvudet inte befinner sig i viloläge.

Försök aldrig att stoppa en maskin som är i rörelse snabbt genom att pressa ett verktyg eller något annat mot bladet. Detta kan orsaka allvarliga olyckor.

Skilj sågen från elnätet eller ta bort batteriet innan du byter blad eller utför underhåll.

Var försiktig när du packar ner eller packar upp sågblad, det är lätt att skada sig på bladens skarpa spetsar.

Använd en bladhållare eller använd handskar när du hanterar ett sågblad.

Förvara och lagra bladet i originalförpackningen eller i en annan lämplig förpackning. Håll bladet torrt och borta från kemikalier som kan skada det.

SÄKERHETSUTRUSTNING LASER

Laserstrålningen som används i denna såg är klass 1 med maximalt <1mW och 650nm våglängd. Titta inte direkt i genom optiska instrument. Underlåtenhet att iaktta föreskrifterna kan leda till allvarliga personskador.

Titta inte in i strålen under drift.

Rikta inte laserstrålen direkt mot andra personers ögon. Risk för allvarliga ögonskador föreligger.

Placera inte lasern i en position som kan medföra att någon avsiktligt eller ofrivilligt stirrar in i laserstrålen.

Använd inte optiska verktyg för att betrakta laserstrålen.

Använd inte lasern i närheten av barn och låt inte barn använda lasern.

Försök inte att själv reparera laserenheten.

Försök inte att själv byta några delar på laserenheten.

Reparationer får endast utföras av tillverkaren eller auktoriserad kundtjänst.

VARNING Byt inte ut monterad laser mot en laser av annan typ.

Rikta lasern inte på reflekterande ytor.

Utsätt ingen för laserstrålningen. Lasern kan sända en mycket stark strålning.

ANVÄND MASKINEN ENLIGT ANVISNINGARNA

Kap- och geringssägen är avsedd för sågning av solitt och bundet trä med eller utan limmad faner, plast och träliknande material.

Kap- och geringssägen är endast avsedd att användas av vuxna personer som läst bruksanvisningen och förstår de risker och faror som användningen kan medföra.



Kap- och geringssågen är konstruerad så att dess underrede kan fästas på en stabil arbetsbänkskiva. Om underredet inte sitter ordentligt fast, kan hela maskinen komma att röra sig under sågning, vilket ökar risken för allvarliga personskador.

Kap- och geringssågen är konstruerad för att utföra snedkapning och geringsnitt. Kapaciteten för de olika snitten finns i produktspecifikationerna i den här bruksanvisningen.

Kap- och geringssågen ska användas under torra förhållanden, med utmärkt belysning och tillräcklig ventilation.

Kap- och geringssågen är avsedd att användas av konsumenter och bör endast användas enligt beskrivningen ovan. Den är inte lämplig att användas för något annat ändamål.

KVARSTÅENDE RISKER

Även när kap- och geringssågen används enligt föreskrift är det omöjligt att helt eliminera vissa kvarvarande riskfaktorer. Följande risker kan uppstå och operatören bör vara särskild uppmärksam för att undvika följande:

- Risk för kontakt med oskyddade delar av det roterande sågbladet.
- Bakslag av arbetsstycken eller delar av arbetsstycken på grund av felaktig inställning eller hantering.
- Spetsar av hårdmetall från sågbladet slungas omkring. Använd alltid ögonskydd.
- Skador på andningsorganen. Använd andningskyddsmasker med filter som är lämpliga för det material som bearbetas. Säkerställ tillräcklig ventilation på arbetsplatsen. Undvik att äta, dricka eller röka inom arbetsområdet.
- Risk för hörselskador om inga effektiva hörselskydd används.

VARNING Damm från vissa färger, beläggningar och material kan orsaka retningar eller allergiska reaktioner. Damm från trä såsom ek, bok, MDF och andra är cancerframkallande. Asbesthaltigt material bör endast bearbetas eller hanteras av kvalificerade specialister.

VARNING Personskador kan orsakas eller förvärras genom långvarig användning av ett verktyg. När du använder verktyg under längre perioder, måste du ta regelbundna pauser.

BATTERIER

Batteri som ej använts på länge måste laddas före nytt bruk.

En temperatur över 50°C reducerar batteriets effekt. Undvik längre uppvärmning tex i solen eller nära ett element.

Se till att anslutningskontaktarna i laddaren och på batteriet är rena.

För att batterierna ska få lång livslängd ska de laddas fulla efter användning.

För att få en så lång livslängd som möjligt bör laddningsbara batterier avlägsnas från laddaren när de är laddade.

Om laddningsbara batterier lagras längre än 30 dagar: Lagra batteriet torrt och vid ca 27°C. Lagra batteriet vid ca 30%-50% av laddningskapaciteten. Ladda batterierna på nytt var 6:e månad.

Under extrem belastning eller extrem temperatur kan batteriavtska tränga ut ur skadade utbytesbatterier. Vid beröring med batteriavtska tvätta genast av med vatten och tvål. Vid ögonkontakt spola genast i minst 10 minuter och kontakta genast läkare.

Förvara ej batteriet ihop med metallföremål, kortslutning kan uppstå.

Kasta inte förbrukade batterier. Lämn dem till AEG Tools för återvinning.

BATTERI OCH LADDARE

Kompatibelt batteripack (ingår ej): System GBS

Kompatibel laddare (ingår ej): System GBS

System GBS batterier laddas endast i System GBS laddare. Ladda inte batterier från andra system.

TRANSPORTERA LITIJUMJON-BATTERIER

För litiumjon-batterier gäller de lagliga föreskrifterna för transport av farligt gods på väg.

Därför får dessa batterier endast transporteras enligt gällande lokala, nationella och internationella föreskrifter och bestämmelser.

Konsumenter får transportera dessa batterier på allmän väg utan att behöva beakta särskilda föreskrifter.

För kommersiell transport av litiumjon-batterier genom en speditiionsfirma gäller emellertid bestämmelserna för transport av farligt gods på väg. Endast personal som känner till alla tillämpliga föreskrifter och bestämmelser får förbereda och genomföra transporten. Hela processen ska följas upp på fackmässigt sätt.

Följande ska beaktas i samband med transporten av batterier:

Säkerställ att alla kontakter är skyddade och isolerade för att undvika kortslutning. Se till att batteripacken inte kan glida fram och tillbaka i förpackningen. Transportera aldrig batterier som läcker, har runnit ut eller är skadade. För mer information vänligen kontakta din speditiionsfirma.

BATTERI-ÖVERBELASTNINGSSKYDD

Om det laddningsbara batteriet överbelastas genom en mycket hög strömförbrukning, t.ex. extremt höga vridmoment, ett plötsligt stopp eller en kortslutning, så vibrerar elverktyget i 5 sekunder, laddningsindikeringen blinkar och elverktyget frånkopplas automatiskt.

För att sedan sätta på elverktyget igen släpper du tryckbrytaren och tillkopplar sedan verktyget igen.

Vid en extrem belastning blir det laddningsbara batteriet för varmt. I detta fall blinkar alla lampor på laddningsindikeringen så länge tills batteriet har svalnat. När laddningsindikeringen har slocknat kan du fortsätta med arbetet.

Sätt då batteriet i laddaren för att ladda upp och aktivera det igen.

SKÖTSEL

Denna såg får inte förändras på något sätt. Använd inga tillbehör som inte har godkänts av tillverkaren. Din och andra personers säkerhet kan äventyras.

Använd inte sågen om kontakter, skyddsanordningar eller andra funktioner på denna såg inte fungerar som de ska. Vänd dig till en auktoriserad kundtjänst för fackmässig reparation eller inställning. Utför inga justeringar medan sågbladet är i rörelse.

Ta bort batteriet innan du smörjer maskinen eller utför justeringar eller underhållsarbeten på den.

Före och efter varje användning måste du kontrollera din såg med avseende på skador eller trasiga delar och hålla den i toppskick genom att omedelbart byta ut delar mot reservdelar som godkänts av tillverkaren.

Bladet är mycket varmt efter användning, bär handskar eller låt det svalna innan du utför underhålls- eller rengöringsarbeten.

Använd en borste eller en dammsugare för att ta bort damm som samlats. Använd ej tryckluft.

För att garantera säkerhet och tillförlitlighet, bör alla reparationer, inklusive byte av bors utöfas av auktoriserad kundtjänst.



Koppla alltid bort verktyget från eluttaget innan du sätter dit eller tar bort sågklingan.

Rengör både verktyget och skyddsanordningen med en torr trasa.

Se till att motorhöljets luftslitsar är rena.

RESERVDELAR

Använd endast AEG tillbehör och reservdelar. Reservdelar vars utbyte ej beskrivs byts bäst av AEG auktoriserad serviceverkstad (se broschyr Garanti/Kundtjänstadresser).

Vid behov av sprängskiss, kan en sådan, genom att uppge maskinens art. nr. (som finns på typskylten) erhållas från: Techtronic Industries GmbH, Max-Eyth-Straße 10, 71364 Winnenden, Germany.

CE-FÖRSÄKRAN

Vi tar på vårt ansvar att produkten som har beskrivits under Tekniska data uppfyller alla relevanta villkor i direktiven

2011/65/EU

2006/42/EG

2014/30/EU

samt att följande harmoniserade standarder har använts.

EN 61029-1:2009 + A11:2010

EN 61029-2-9:2012 + A11:2013

EN 55014-1:2006+A1:2009+A2:2011

EN 55014-2: 1997+A1:2001+A2:2008

EN 50581:2012



Winnenden, 2016-12-02

Alexander Krug / Managing Director

Befullmäktigad att sammanställa teknisk dokumentation.

Techtronic Industries GmbH

Max-Eyth-Straße 10, 71364 Winnenden, Germany

SYMBOLER



OBSERVERA! VARNING! FARA!



Drag ur batteripaket innan arbete utföres på maskinen.



Läs instruktionen noga innan du startar maskinen.



Använd alltid skyddsglasögon.



Använd hörselskydd!



Bär skyddshandskar!



Öppna skruven / Rotationsriktning



Se till att du aldrig kommer med händerna i närheten av sågbladet.



Aggregatet är endast lämpad att användas inomhus, Får ej utsättas för regn.



Titta aldrig in i laserstrålen.



This product corresponds to the laser class 1 in accordance with EN 60825-1:2014.



Sågklinga- \emptyset x hål- \emptyset



Rotationsriktning



blad tänder



Skärbredd



Elektriska maskiner och elverktyg som kasseras får inte slängas tillsammans med de vanliga hushållsoporna. Elektriska maskiner och verktyg samt elektronisk utrustning som kasseras ska samlas separat och lämnas till en avfallsstation för miljövänlig avfallshantering. Kontakta den lokala myndigheten respektive kommunen eller fråga återförsäljare var det finns speciella avfallsstationer för elskrot.



CE-symbol



UkrSEPRO överensstämmelsesymbol.



EurAsian överensstämmelsesymbol.

TEKNISET ARVOT	BPS18-254BL
Katkaisu- ja jiiirsaha *	
Tuotantomerkki	4601 74 01... ... 000001-999999
Jännite vaihtoakku	18 V
Kuormittamaton kierrosnopeus	3900 min ⁻¹
Sahanterän ø x reiän ø	254 x 30 mm
Sahanterän paksuus	1,6 mm
Sahanterän hammastuksen paksuus	2,2 mm
Leikkausteho enint.	
Viistekulma 0° / Kaltevuuskulma 0°	90 mm x 305 mm
Viistekulma 0° / Kaltevuuskulma 45°	39 mm x 305 mm
Viistekulma 0° / Kaltevuuskulma 45°	43 mm x 305 mm
Viistekulma 45° / Kaltevuuskulma 0°	90 mm x 215 mm
Viistekulma 45° / Kaltevuuskulma 0°	50 mm x 215 mm
Viistekulma 45° / Kaltevuuskulma 45°	39 mm x 215 mm
Viistekulma 45° / Kaltevuuskulma 45°	43 mm x 215 mm
Työkappaleen minimiaalinen	215 x 35 x 2,5 mm
Paino EPTA-menetellyn 01/2003 mukaan (Li-Ion 5.0 Ah)	16,3 kg
Melunpäästötiedot	
Mitta-arvot määritetty EN 61029 mukaan. Koneen tyyppillinen A-luokitettu melutaso:	
Melutaso (Epävarmuus K=3dB(A))	89,0 dB (A)
Äänenvoimakkuus (Epävarmuus K=3dB(A))	98,5 dB (A)
Käytä kuulosuojaimia!	
Tärinätiedot	
Värähtelyn yhteisarvot (kolmen suunnan vektorisummitattuna EN 61029 mukaan).	
Puun sahaaminen: Värähtelyemissioarvo a _h	1,1 m/s ²
Epävarmuus K=	1,5 m/s ²

* PS ≙ Katkaisu- ja jiiirsaha

VAROITUS!

Näissä ohjeissa mainittu värähtelytaso on mitattu EN 61029-standardin mukaisella mittausmenetelmällä ja sitä voidaan käyttää sähkötyökälujen vertaamiseen. Sitä voidaan käyttää myös värähtelyrasituksen väliaikaiseen arviointiin.

Mainittu värähtelytaso edustaa sähkötyökälun pääasiallista käyttöä. Jos sähkötyökälua kuitenkin käytetään muihin tehtäviin, poikkeavin työkaluin tai riittämättömästi huoltoen, värähtelytaso voi olla erilainen. Se voi korottaa värähtelyrasitusta koko työajan osalta.

Tarkan värähtelyrasituksen toteamiseen tulee ottaa huomioon aika, jona laite on kytketty pois tai on kyläkin päällä, mutta ei käytössä. Se voi pienentää värähtelyrasitusta koko työajan osalta.

Määrittele lisäturvatoimenpiteitä käyttäjän suojaamiseksi värinöiden vaikutukselta, kuten esimerkiksi: sähkötyökälujen ja käyttötyökälujen huolto, käsien lämpimänä pitäminen, työväihien organisaatio.

VAROITUS Lue kaikki, myös annetut turvallisuusmääräykset ja käyttöohjeet. Turvallisuusohjeiden noudattamisen laiminlyönti saattaa johtaa sähköiskuun, tulipaloon ja/tai vakavaan loukkaantumiseen.

Säilytä kaikki turvallisuus- ja muut ohjeet tulevaisuutta varten.

YLEISTEN TURVAOHJEIDEN

VAROITUS

Sähkötyökäluja käytettäessä tulee noudattaa seuraavia perusuontoisia turvallisuustoimenpiteitä sähköiskujen, tapaturmien ja palovaaran välttämiseksi. Lue kaikki nämä ohjeet ennen tämän sähkötyökälun käyttämistä ja säilytä turvallisuusmääräykset huolella.

Pidä työalue järjestyksessä. Epäsiistit alueet ja työpenkit lisäävät tapaturmien määrää.

Huomioi työalueen vaikutus työohsi. Älä altista työkaluja sateelle. Älä käytä työkaluja kosteissa tai märissä paikoissa. Pidä työalue hyvin valaistuna. Älä käytä työkaluja herkästi syttyvien nesteiden tai kaasujen lähellä.

Huomio! Sähköiskun vaara. Vältä koskettamasta millään ruumiinosalla maadoitettuihin osiin, kuten putkiin, lämpöpattereihin, liesiin tai jääkaappeihin.

Pidä muut henkilöt loitolla. Älä anna henkilöiden, etenkin lasten, jotka eivät osallistu työhön, koskea työkaluun tai jatkojohtoon, ja pidä heidät poissa työalueelta.

Säilytä käyttämättömiä työkaluja. Työkäluja, joita ei käytetä, tulisi säilyttää kuivassa lukituspaikassa, poissa lasten ulottuvilta.

Käytä oikeaa työkalua. Älä käytä pieniä työkaluja työhön, jossa tarvitaan raskaampaa työkalua.

Pukeudu asianmukaisesti. Älä käytä löysiä vaatteita tai koruja, jotka voivat tarttua liikkuviin osiin.



Suo

Käytä suojavausteita. Käytä suojalaseja. Käytä kasvo- tai pölysuojaa, jos työvaiheessa syntyy pölyä.

Älä koskaan vedä johdosta, kun haluat irrottaa sen pistorasiasta. Pidä johto loitolla kuumasta, öljystä ja terävistä reunoista.

Varmista työkappale. Käytä työkappaleen kiinnittämiseen puristimia tai ruuvipenkkiä, mikäli mahdollista. Se on turvallisempaa kuin käsien käyttö.

Älä kurottele liian pitkälle, vaan säilytä aina tasapainosi.

Pidä työkalut hyvässä kunnossa. Pidä leikkaavat työkalut terävinä ja puhtaina, jotta ne toimivat paremmin ja turvallisemmin. Noudata voiteluun ja lisävarusteiden vaihtoon liittyviä ohjeita. Tarkista työkalun johdot säännöllisesti ja korjauta vaurioituneet valtuutetulla asiantuntijalla. Tarkista jatkojohdot säännöllisesti ja korvaa vaurioituneet uusilla.

Irrota työkalut. Irrota työkalut virtalähteestä, kun niitä ei käytetä, ennen huoltoa ja kun niihin vaihdetaan teriä, poranteriä ja leikkureita.

Poista jakoavaimet ja kiintoavaimet. Ota tavaksi tarkistaa, että jakoavaimet ja kiintoavaimet on poistettu työkalusta ennen kuin se kytketään päälle.

Varmista, että kytkin on "off"-asennossa, kun asennat akun.

Käytä ulkojatkajohtoja. Kun työkalua käytetään ulkona, käytä vain jatkojohdot, jotka on tarkoitettu ulkokäyttöön ja merkitty vastaavasti.

Ole tarkkaavainen. Kiinnitä huomiota siihen, mitä olet tekemässä, käytä tervettä järkeä, äläkä käytä työkalua, kun olet väsynyt.

Tarkista työkalu huolellisesti ennen käyttöä vaurioiden ja materiaalin väsymisen varalta. Tarkista liikkuvien osien linjaus ja kiinnitys, osien murtumat, asennus ja kaikki muut olosuhteet, jotka voivat vaikuttaa käyttöön.

Älä käytä konetta, jos suojuukset eivät ole paikallaan ja toimi oikein. Anna valtuutetun alan ammattikorjaamon korjata vauriot heti. Älä käytä työkalua, jos kytkin ei kytketä sitä päälle ja pois päältä.

VAROITUS Muiden kuin tässä käyttöoppaassa suositeltujen lisälaitteiden ja varusteiden käyttö voi aiheuttaa henkilövahinkojen vaaran.

Anna ammattitaitoisen henkilön korjata työkalu. Tämä sähköinen työkalu täyttää asianmukaiset turvamääräykset. Ainoastaan ammattitaitoiset henkilöt saavat suorittaa korjaustöitä alkuperäisiä varaosia käyttäen, muutoin tästä voi aiheutua huomattava vaara käyttäjälle.

A JIIRISAHAN KÄYTTÖOHJEET

Kiinnitä työkappale aina turvallisesti ja varmasti.

Varmista, että kone seisoo aina tukevasti paikallaan (esim. kiinnittämällä se ruuvipenkkiin).

Käytä korvasuojia. Melulle altistuminen voi heikentää kuuloa.

Käytä aina suojalaseja käyttäessäsi konetta. On suositeltavaa käyttää käsineitä teriä ja karkeita materiaaleja käsiteltäessä, sekä tukevia liukumattomia kenkiä, jotka myös suojaavat jalkoja leikkausalueelta mahdollisesti putoavilta työkappaleilta.

Irrota aina pistoke tai akku ennen koneen säätöä, huoltoa tai puhdistusta.

Varmista, että kone on kytketty pois päältä ennen akun asentamista tai irrottamista.

Älä seiso linjassa sahanterän kanssa koneen edessä.

Pysyttele aina sahanterän sivulla.

Pidä kädet, sormet ja käsivarret loitolla pyörivästä sahanterästä.

Älä koskaan vedä kättä lähelle terää ennen kuin se on kokonaan pysähtynyt.

Tarkista työkalu huolellisesti ennen käyttöä vaurioiden ja materiaalin väsymisen varalta. Anna ainoastaan alan ammattihenkilön korjata vialliset osat.

Laitteen suojavausteita on ehdottomasti käytettävä. Älä käytä konetta, jos suojuukset eivät ole paikallaan ja toimi oikein. Liikkuvan teränsuojaa ei saa kiinnittää aukinaisena.

Mikäli työstettävä osa tai terä jää jumiin, käännä jiirisaha pois päältä. Odota, kunnes kaikki liikkuvat osat ovat pysähtyneet, irrota töpöseli seinästä ja/tai irrota akku. Irrota tämän jälkeen jumittunut materiaali terästä.

Älä koskaan muuta tai muokkaa sahaa tai sen toimintaa. Se voi vaarantaa turvallisuuttasi.

Älä käytä sahanteriä, jotka ovat murtuneita, vaurioituneita tai vääntyneitä.

Ei saa käyttää pikateräksestä valmistettuja sahanteriä.

Käytä vain teräviä sahanteriä. Vaihda tylsät terät uusiin.

Käytä teränpidintä tai käsineitä, kun käsittelet sahanterää.

Käytä aina oikean kokoisia ja kiinnityslaippaan sopivia sahanteriä. Sahanterät, jotka eivät sovi sahan asennusosiin pyörivät epäkeskeisesti ja johtavat sahan hallinnan menettämiseen.

Käytä vain tässä käyttöoppaassa määriteltyjä puuntuystöteriä, jotka vastaavat standardia EN 847-1.

Älä käytä muita kuin mukana toimitettuja tai käyttöoppaassa ilmoitettuja laippoja, aluslaattoja tai muttereita varmistamaan sahanterää.

Sahanterään merkitty suurinta kierroslukua ei saa ylittää.

Valitse sahattavalle materiaalille sopiva sahanterä.

Älä koskaan käytä jiirisahaa muiden kuin tässä käyttöoppaassa määritellyn tarkoituksenmukaisten materiaalien leikkaamiseen. Vaihda kulunut tai vahingoittunut pöytäosa uuteen.

Tee ennen työskentelyn aloittamista testileikkaus ilman, että moottori on kytketty päälle, jotta voit tarkistaa terän asennon, suojusten toiminnan suhteessa muihin koneen osiin ja työkappaleen.

Älä poista sahausjätteitä tai muita työkappaleiden paloja sahausalueelta, kun kone käy eikä sahan pää ole lepoasennossa.

Kun kuljeta konetta, käytä vain kuljetuslaitteita, älä koskaan käytä suojuksia käsittelyyn tai kuljetukseen.

Kuljeta katkaisusahaa vain kahvasta kantaan ja kuljetusvarmistuksen ollessa lukittuna.

Pidä lattia puhtaana materiaali-jätteistä, esim. purusta ja sahausjätteistä.

Pitkiä työstökappaleita tulee tukea sopivin toimin.

Työkappaleita, joiden halkaisija on pyöreä tai epäsäännöllinen (esim. polttopuita), ei saa sahata, koska niitä ei voida pitää tukevasti paikallaan sahaamisen aikana. Sahattaessa laakeita työkappaleita pystyasennossa tulee käyttää sopivaa tukivastetta niiden turvallista kuljettamista varten.

Työstössä syntyvä pöly saattaa olla terveydelle vahingollista, joten sen koskettaminen tai hengittäminen tulisi välttää. Liitä kone kohdeimujärjestelmään ja käytä sopivaa pölysuojaa kasvoilla. Poista laskeutunut pöly huolellisesti esimerkiksi pölynimurilla.

Liitä saha pölynimulaitteeseen puuta sahatessasi.

Älä koskaan korvaa LEDiä tai laseria erilaisella tyypillä. Valmistajan tai valtuutetun huolto liikkeen on suoritettava mahdolliset korjaustyöt.

Sahanteriä, joiden tunnustiedot eriyvät tästä käyttöohjeesta, ei saa käyttää.

Teriä tulee kuljettaa ja säilyttää sopivassa säilytyskotelossa.

Koneessa, mukaluettuna suojavarusteista tai sahanterissä, ilmenevät viat tulee ilmoittaa heti niiden havaitsemisen jälkeen koneen turvallisuudesta käytöstä vastuulliselle henkilölle.

Viistekulmaa, vinoa reunaa tai liitoskulmaa leikattaessa säädä liukuva este varmistamaan oikea terän etäisyys.

Vältä sahanterän hampaiden ylikuumentuminen käyttämällä tarkoitukseen sopivaa nopeutta. Täten vältetään myös materiaalin sulaminen muovia sahattaessa.

VAROITUS Älä vaihda LED:in tilalle toisenlaista.

PUUNSAHAUSTERÄ TURVALLISUUSOHJEET

Lue käyttöopas ja ohjeet huolellisesti ennen sahanterän ja koneen käyttöä.

Koneen on oltava hyvässä kunnossa, karan ilman epämuodostumia ja tärinää.

Älä käytä sahaa, jos suojuukset eivät ole paikallaan. Pidä suojuukset hyvässä kunnossa ja asianmukaisesti huollettuina.

Varmista, että käyttäjällä on riittävästi koulutusta turvatoimiin, säätöön ja koneen käyttöön liittyen.

Käytä aina suojalaseja ja kuulosuojaimia konetta käytettäessä. On suositeltavaa käyttää käsiineitä, tukevia luistamattomia kenkiä ja esiliinaa.

Lue käyttöopas ennen lisävarusteiden käyttöä. Lisävarusteiden väärä käyttö voi aiheuttaa vaurioita ja lisätä loukkaantumisten mahdollisuutta.

Käytä vain tässä käyttöoppaassa määriteltäviä teriä, jotka vastaavat standardia EN 847-1.

Huomioi sahanterään merkitty maksiminopeus. Varmista, että sahanterään merkitty nopeus on vähintään sama kuin sahaan merkitty nopeus.

Käytä aina oikean kokoisia ja kiinnitysliappaan sopivia sahanteriä. Sahanterät, jotka eivät sovi sahan asennusosiin pyörivät epäkeskeisesti ja johtavat sahan hallinnan menettämiseen.

Älä käytä teriä, joiden halkaisija on suositeltua suurempi tai pienempi. Älä käytä välikappaleita sovittaaksesi terää karalle.

Tarkista sahanterän kärjet vaurioiden ja epänormaalin ulkonäön varalta ennen jokaista käyttökertaa. Vahingoittuneista tai irrallisista kärjistä voi tulla käytössä lentävä esineitä ja ne lisäävät henkilövahinkojen mahdollisuutta.

Rikkinäisiä sahanteriä tai sellaisia, jotka ovat muuttaneet muotoaan ei saa käyttää! Älä käytä sahanteriä, jotka ovat vahingoittuneet tai vääntyneet.

Poista sahanterät käytöstä, jos ne ovat vaurioituneita, vääntyneitä, väärityneitä tai murtuneita, korjaaminen ei ole sallittua.

Ei saa käyttää pikateräksestä valmistettuja sahanteriä.

Varmista, että sahanterä on kiinnitetty oikein, kiristä karamutteria tiukasti ennen käyttöä (kiristysmomentti n. 12 Nm).

Kiinnitysruuvi ja mutterit on kiristettävä käyttämällä asianmukaista avainta jne.

Avaimen jatkaminen tai kiristäminen vasaran iskuilla ei ole sallittua.

Varmista, että terä ja laipat ovat puhtaana ja että kauluksen uurrettu puolet ovat terää vasten.

Varmista, että terä pyörii oikeaan suuntaan.

Tee ennen työskentelyn aloittamista testileikkaus ilman, että moottori on kytketty päälle, jotta voit tarkistaa terän asennon, suojusten toiminnan suhteessa muihin koneen osiin ja työkalupaleen.

Älä jätä konetta koskaan ilman valvontaa.

Älä levitä terälle voiteluainetta sen ollessa käynnissä.

Älä koskaan suorita puhdistus- tai ylläpitotöitä, kun kone on vielä käynnissä, eikä sen pää ole lepoasennossa.

Älä koskaan yritä pysäyttää liikkeessä olevaa konetta nopeasti asettamalla työkalua tai muuta terää vasten, siitä voi aiheutua tahattomasti vakavia onnettomuuksia.

Irrota saha sähköverkosta tai irrota akku ennen terien vaihtoa ja huoltotöitä.

Kiinnitä huomiota terän pakkaamiseen ja purkamiseen, teräviin terän kärkiin on helppo loukata itsensä.

Käytä teränpidintä tai käsiineitä, kun käsittelet sahanteriä.

Säilytä terä alkupeirissä pakkauksessa tai muussa sopivassa pakkauksessa, pidä kuivissa olosuhteissa ja loitolla kemikaaleista, jotka voivat vahingoittaa terää.

TURVALLISUUSOHJEET LASER

Tässä sahassa käytetty lasersäteily kuuluu luokkaan 1, maksimi <1 mW ja 650 nm aallonpituuksilla. Älä tarkastele suoraan optisilla laitteilla. Säätöjen laiminlyönti voi aiheuttaa vakavia henkilövahinkoja.

Älä tuijota säteeseen käytön aikana.

Älä heijasta lasersädettä suoraan muiden silmiin. Tämä voi aiheuttaa vakavia silmävammoja.

Älä aseta laseria asentoon, jossa muut voivat tuijottaa lasersäteeseen tahallaan tai tahattomasti.

Älä käytä optisia välineitä lasersäteen tarkasteluun.

Älä käytä laseria lasten lähettyvillä tai anna lasten käyttää laseria.

Älä yritä korjata laserlaitetta itse.

Älä yritä vaihtaa laserlaitteeseen mitään osia itse.

Valmistajan tai valtuutetun huolto liikkeen on suoritettava mahdolliset korjaustyöt.

VAROITUS Älä vaihda sisäänrakennettua laseria toisentyyppiseen laseriin.

Älä kohdista laseria heijastaville pinoille.

Vältä lasersäteeseen joutumista. Laser saattaa lähettää voimakasta säteilyä.

TARKOITUKSEN MUKAINEN KÄYTTÖ

Yhdistelmäjiirisaha on tarkoitettu kiinteän ja liimatun puun, liimatuilla viuiluilla tai ilman, muovien ja puuta muistuttavien materiaalien sahaamiseen.

Yhdistelmäjiirisaha on tarkoitettu käytettäväksi vain aikuisten käyttäjien toimesta, jotka ovat lukeneet käyttöohjeet ja ymmärtävät riskit ja vaarat.

Yhdistelmäjiirisaha on suunniteltu valmistettäväksi jalustastaan kiinteään penkkiin. Jos alusta ei ole kiinnitetty varmasti, koko kone voi liikkua leikkaamisen aikana, mikä lisää vakavien henkilövahinkojen mahdollisuutta.



Suo

Yhdistelmäjiirisaha on suunniteltu tekemään viisto- ja jiirileikkauksia. Erilaiset leikkausmahdollisuudet on ilmoitettu tämän käyttöoppaan tuotetiedoissa.

Yhdistelmäjiirisahaa on käytettävä kuivissa olosuhteissa, erinomaissessa valaistuksessa ja asianmukaisesta ilmanvaihdosta huolehtien.

Yhdistelmäjiirisaha on tarkoitettu kuluttajakäyttöön ja sitä tulisi käyttää vain aiemmin mainitulla tavalla. Sitä ei ole tarkoitettu mihinkään muuhun käyttötarkoitukseen.

JÄÄMÄRISKIT

Vaikka yhdistelmäjiirisahaa käytetään määrättyllä tavalla, tiettyjä jäljellä olevia riskitekijöitä on mahdotonta eliminoida täysin.

Seuraavia vaaroja voi syntyä ja käyttäjän on kiinnitettävä erityistä huomiota seuraavien välttämiseen:

- Pyörivän sahanterän suojaamattomien osien kontaktin riski.
- Väärästä säädöstä tai käsittelystä aiheutuva työkalupalleiden tai työkalupalleiden osien takapotku.
- Viallisten kardinoiden sinkoutuminen sahanterästä. Käytä aina silmäsuojusta.
- Vahingon hengityselimille. Käytä hengityssuojainmaskeja, joissa on työstettäville materiaaleille sopivat suodattimet. Varmista työpaikan asianmukainen ilmanvaihto. Älä syö, juo tai tupakoi työalueella.
- Tehokkaiden kuulosuojainten käyttämättä jättäminen vaurioittaa kuuloa.

VAROITUS Tiettyjen maalien, päällysteiden ja materiaalien pöly voi aiheuttaa ärsytystä tai allergisia reaktioita. Puun, kuten tammen ja pyökin, MDF:n ja muiden pöly aiheuttaa syöpää. Asbestia sisältäviä materiaaleja saa työstää tai käsitellä vain ammattitaitoinen käyttäjä.

VAROITUS Työkalun pitkittynyt käyttö voi aiheuttaa tai pahentaa vammoja. Jos käytät työkaluja pidempiä aikoja, muista pitää säännöllisesti taukoja.

AKKU

Pitkään käyttämättä olleet vaihtoakut on ladattava ennen käyttöä.

Yli 50°C lämpötilassa akun suorituskyky heikkenee. Välttämättä akkujen säilyttämistä auringossa tai kuumissa tiloissa.

Pidä aina latauslaitteen ja akun kosketinpinnat puhtaina.

Optimaalisen käyttöajan saavuttamiseksi akut on ladattava täyteen käytön jälkeen.

Mahdollisimman pitkän elinajan takaamiseksi akut tulee poistaa laturista lataamisen jälkeen.

Akkuja yli 30 päivää säilytettäessä: Säilytä akku yli 27°C:ssa ja kuivassa. Säilytä akku sen latauksen ollessa 30% - 50%. Lataa akku 6 kuukauden välein uudelleen.

Vaurioituneesta akusta saattaa erityisen kovassa käytössä tai poikkeavassa lämpötilassa vuotaa akkukupaa. Ihonkohta, joka on joutunut kosketukseen akkukahon kanssa on viipymättä pestävä vedellä ja saippualla. Silmä, johon on joutunut akkukupaa, on huuhdeltava vedellä vähintään 10 minuutin ajan, jonka jälkeen on viipymättä hakeuduttava lääkärin apuun.

Vaihtoakkuja ei saa säilyttää yhdessä metalliesineiden kanssa (oikosulkuvaara).

Käytettyjä vaihtoakkuja ei saa polttaa eikä poistaa normaalin jätehuollon kautta. AEG:llä on tarjolla vanhoja vaihtoakkuja varten ympäristöstäyställinen jätehuolto palvelu.

AKKU JA LATURI

Yhteensopiva akku (ei sisälly toimitukseen): System GBS

Yhteensopiva laturi (ei sisälly toimitukseen): System GBS

Käytä ainoastaan System GBS latauslaitetta System GBS akkujen lataukseen. Älä käytä muiden järjestelmien akkuja.

LITIUMI-IONI AKKujen KULJETTAMINEN

Litiumi-ioniakut kuuluvat vaarallisten aineiden kuljetuksesta annettujen lakien piiriin.

Näiden akkujen kuljettaminen täytyy suorittaa noudattaen paikallisia, kansallisia ja kansainvälisiä määräyksiä ja säädöksiä.

Kuluttajat saavat ilman muuta kuljettaa näitä akkuja teitä pitkin.

Kaupallisessa kuljetuksessa huolintaliikkeiden täytyy kuljettaa litiumi-ioniakkuja vaarallisten aineiden kuljetuksesta annettujen määräysten mukaisesti. Ainoastaan tähän vastaavasti koulutetut henkilöt saavat suorittaa kuljetuksen valmistelutoimet ja itse kuljetuksen. Koko prosessia tulee valvoa asiantuntevasti.

Seuraavat kohdat tulee huomioida akkuja kuljetettaessa:

Varmista, että akkujen kontaktit on suojattu ja eristetty, jotta vältetään lyhytsulku. Huolehdi siitä, ettei akkusarja voi luiskahtaa paikaltaan pakkauksen sisällä. Vahingoittuneita tai vuotavia akkuja ei saa kuljettaa. Pyydä tarkemmat tiedot huolintaliikkeeltäsi.

AKUN YLIKUORMITUS SUOJAUS

Jos akku ylikuormittuu erittäin suuren virrankulutuksen takia, esim. erittäin voimakkaiden vääntömomenttien, äkillisen pysähtymisen tai oikosulun vuoksi, niin sähkötyökalu tärisee 5 sekunnin ajan, latausnäyttö vilkkuu ja sähkötyökalu sammuu omatoimisesti. Käynnistä laite uudelleen päästämällä katkaisinpainikkeen irti ja käynnistämällä laitteen sitten uudelleen.

Erittäin suuressa kuormituksessa akku kuumenee liikaa. Tässä tapauksessa latausnäytön kaikki lamput vilkkuvat, kunnes akku on jäähtynyt. Kun latausnäyttö on sammunut, voi työtä jatkaa.

Työnnä akku sitten latauslaitteeseen ja lataa se jälleen, jotta se aktivoituu.

HUOLTO

Älä muuta tätä sahaa millään tavalla tai käytä lisävarusteita, joita valmistaja ei ole hyväksynyt. Se voi vaarantaa sinun ja muiden turvallisuuden.

Älä käytä sahaa, jos sen kytkimet, suojukset tai muut toiminnot eivät toimi tarkoituskäytön mukaisesti. Käänny valtuutetun palvelukeskuksen puoleen ammattimaista korjausta ja säätöä varten.

Älä tee mitään säätöjä silloin, kun sahanterä on liikkeessä.

Poista akku ennen säätämistä, voitelua ja ennen koneella tehtäviä huoltoitöitä.

Tarkista ennen käyttöä ja sen jälkeen saha vaurioiden ja rikkien isten osien varalta ja pidä se huippukunossa korvaamalla osat välittömästi varaosilla, jotka ovat valmistajan hyväksymiä.

Terä on käytön jälkeen erittäin kuuma, käytä käsinettä tai anna jäähtyä ennen huoltoa tai puhdistusta.

Siivoa kertynyt pöly pois harjalla tai pölynimurilla. Älä käytä paineilmaa.

Jotta turvallisuus ja luotettavuus voidaan taata, kaikki korjaustyöt, mukaan lukien harjojen vaihto, tulisi suorittaa vain valtuutetun palvelukeskuksen toimesta.

Muista irrottaa laite virtalähteestä, ennen kuin kiinnität tai irrotat sahanterän.

Puhdista laite ja suojaruusteet kuivalla liinalla.

Pidä moottorin ilmanottoaukot puhtaina.

VARAOSAT

Käytä vain AEG:n lisälaitteita ja varaosia. Käytä ammattitaitoisten AEG-huoltosopimusliikkeiden palveluja muiden kuin käyttöohjeessa kuvattujen osien vaihdossa. (esite takuu/ huoltoliikeluettelo).

Tarpeen vaatiessa voit pyytää lähettämään laitteen kokoonpanopiirustuksen ilmoittamalla arvokilven numeron seuraavasta osoitteesta: Techtronic Industries GmbH, Max-Eyth-Straße 10, 71364 Winnenden, Germany.

TODISTUS CE-STANDARDINMUKAISUUDESTA

Vakuutamme täten olevamme yksin vastuussa siitä, että kohdassa "Tekniset tiedot" kuvattu tuote vastaa kaikkia direktiivien merkityksellisiä säädöksiä

2011/65/EU

2006/42/EY

2014/30/EU

ja seuraavia yhdenmukaistettuja standardeja on käytetty.

EN 61029-1:2009 + A11:2010

EN 61029-2-9:2012 + A11:2013

EN 55014-1:2006+A1:2009+A2:2011

EN 55014-2: 1997+A1:2001+A2:2008

EN 50581:2012



Winnenden, 2016-12-02

Alexander Krug / Managing Director
Valtuutettu kokoamaan tekniset dokumentit.

Techtronic Industries GmbH
Max-Eyth-Straße 10, 71364 Winnenden, Germany

SYMBOLIT



HUOMIO! VAROITUS! VAARA!



Ota akku pois ennen kaikkia koneeseen tehtäviä toimenpiteitä.



Lue käyttöohjeet huolellisesti, ennen koneen käynnistämistä.



Käytä laitteella työskennellessäsi aina suojalaseja.



Käytä kuulosuojaimia!



Käytä suojakäsineitä!



Avaa ruuvi / Pyörimissuunta



Älä koskaan vie käsiäsi sahanterän alueelle.



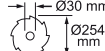
Työkalu käytettävä sisätiloissa. Suojeltava sateelta.



Älä katso lasersäteeseen



This product corresponds to the laser class 1 in accordance with EN 60825-1:2014.



Sahanterän \varnothing x riävän \varnothing



Pyörimissuunta



terän hampaat



Jyrsintäleveys



Sähkölaitteita ei saa hävittää yhdessä kotitalousjätteiden kanssa. Sähkö- ja elektroniset laitteet tulee kerätä erikseen ja toimittaa kierrätysliikkeeseen ympäristöstävällistä hävittämistä varten. Pyydä paikallisilta viranomaisilta tai alan kauppiailta tarkemmat tiedot kierrätyspisteistä ja keräyspaikoista.



CE-merkki



UkrSEPRO -vaatimustenmukaisuusmerkki.



EurAsian-vaatimustenmukaisuusmerkki.



ΤΕΧΝΙΚΑ ΣΤΟΙΧΕΙΑ ΣΤΑΘΕΡΟ ΔΙΣΚΟΠΡΙΟΝΟ *	BPS18-254BL
Αριθμός παραγωγής	4601 74 01... ... 000001-999999
Τάση ανταλλακτικής μπαταρίας	18V
Αριθμός στροφών χωρίς φορτίο	3900 min ⁻¹
Διάμετρος λεπίδας πριονιού x διάμετρος διάτρησης	254 x 30 mm
Πάχος σώματος πριονολεπίδας	1,6 mm
Πάχος οδόντωσης πριονολεπίδας	2,2 mm
Μέγιστη ισχύς κοπή Φαλτωγώνια 0° / Κλίση 0° Φαλτωγώνια 0° / Κλίση 45° Φαλτωγώνια 0° / Κλίση 45° Φαλτωγώνια 45° / Κλίση 0° Φαλτωγώνια 45° / Κλίση 0° Φαλτωγώνια 45° / Κλίση 45° Φαλτωγώνια 45° / Κλίση 45°	90 mm x 305 mm 39 mm x 305 mm 43 mm x 305 mm 90 mm x 215 mm 50 mm x 215 mm 39 mm x 215 mm 43 mm x 215 mm
Ελάχιστες διαστάσεις του ακατέργαστου υλικού	215 x 35 x 2,5 mm
Βάρος σύμφωνα με τη διαδικασία EPTA 01/2003 (Li-Ion 5.0 Ah)	16,3 kg
Πληροφορίες θορύβου Τιμές μέτρησης εξακριβωμένες κατά EN 61029. Η σύμφωνα με την καμπύλη A εκτιμηθείσα στάθμη θορύβου του μηχανήματος αναφέρεται σε: Στάθμη ηχητικής πίεσης (Ανασφάλεια K=3dB(A)) Στάθμη ηχητικής ισχύος (Ανασφάλεια K=3dB(A))	μηχανήματος αναφέρεται σε: 89,0 dB (A) 98,5 dB (A)
Φοράτε προστασία ακοής (ωτασπίδες)! Πληροφορίες δόνησεων Υλικές τιμές κραδασμών (άθροισμα διανυσμάτων τριών διευθύνσεων) εξακριβώθηκαν σύμφωνα με τα πρότυπα EN 61029. Πριόνισμα ξύλων: Τιμή εκπομπής δόνησεων a _n Ανασφάλεια K=	1,1 m/s ² 1,5 m/s ²

* PS ≙ ΣΤΑΘΕΡΟ ΔΙΣΚΟΠΡΙΟΝΟ

ΠΡΟΕΙΔΟΠΟΙΗΣΗ!

Το αναφερόμενο σ' αυτές τις οδηγίες επίπεδο δόνησεων έχει μετρηθεί με μια τυποποιημένη σύμφωνα με το EN 61029 μέθοδο μέτρησης και μπορεί να χρησιμοποιηθεί για τη σύγκριση των ηλεκτρικών εργαλείων μεταξύ τους. Αυτό είναι επίσης κατάλληλο για μια προσωρινή εκτίμηση της επιβάρυνσης των δόνησεων.

Το αναφερόμενο επίπεδο δόνησεων αντιπροσωπεύει τις κύριες χρήσεις του ηλεκτρικού εργαλείου. Εάν όμως το ηλεκτρικό χρησιμοποιείται σε άλλες χρήσεις, με διαφορετικά εργαλεία εφαρμογής ή ανεπαρκή συντήρηση, μπορεί να υπάρξει απόκλιση του επιπέδου δόνησεων. Αυτό μπορεί να αυξήσει σημαντικά την επιβάρυνση των δόνησεων για τη συνολική διάρκεια της εργασίας. Για μια ακριβή εκτίμηση της επιβάρυνσης των δόνησεων οφείλουν επίσης να λαμβάνονται υπόψη οι χρόνοι, στους οποίους η συσκευή είναι απενεργοποιημένη ή είναι μια ενεργοποιημένη αλλά δεν χρησιμοποιείται πραγματικά. Αυτό μπορεί να μειώσει σημαντικά την επιβάρυνση των δόνησεων για τη συνολική διάρκεια της εργασίας.

Καθορίζετε πρόσθετα μέτρα ασφαλείας για την προστασία του χειριστή από την επίδραση των δόνησεων όπως για παράδειγμα: Συντήρηση του ηλεκτρικού εργαλείου και των εργαλείων εφαρμογής, διατηρείτε ζεστά τα χέρια, οργάνωση των διαδικασιών εργασίας.

⚠️ ΠΡΟΕΙΔΟΠΟΙΗΣΗ Διαβάστε όλες τις Υποδείξεις ασφαλείας και τις Οδηγίες. Αμέλειες κατά την τήρηση των προειδοποιητικών υποδείξεων μπορεί να προκαλέσουν ηλεκτροπληξία, κίνδυνο πυρκαγιάς ή/και σοβαρούς τραυματισμούς.

Φυλάξτε όλες τις προειδοποιητικές υποδείξεις και οδηγίες για κάθε μελλοντική χρήση.

ΓΕΝΙΚΕΣ ΥΠΟΔΕΙΞΕΙΣ ΑΣΦΑΛΕΙΑΣ

⚠️ ΠΡΟΕΙΔΟΠΟΙΗΣΗ

Κατά την χρησιμοποίηση ηλεκτρικών συσκευών πρέπει να ακολουθείτε προς αποφυγή ηλεκτροπληξιών, τραυματισμών και εγκαυμάτων τα παρακάτω βασικά μέτρα ασφαλείας. Διαβάστε όλες τις υποδείξεις πριν χρησιμοποιήσετε αυτήν την ηλεκτρική συσκευή και φυλάξτε προσεκτικά τις υποδείξεις ασφαλείας.

Διατηρείτε το χώρο εργασίας τακτοποιημένο. Οι ακατάστατοι χώροι και πάγκοι μπορούν να προκαλέσουν τραυματισμούς.

Να λαμβάνετε υπόψη τις περιβαλλοντικές συνθήκες του χώρου εργασίας. Μην εκθέτετε τα εργαλεία στη βροχή. Μη χρησιμοποιείτε εργαλεία σε υγρούς ή βρεγμένους χώρους. Φροντίστε για τον επαρκή φωτισμό του χώρου εργασίας. Μη χρησιμοποιείτε εργαλεία υπό την παρουσία εύφλεκτων υγρών ή αερίων.

Προσοχή! Κίνδυνος ηλεκτροπληξίας. Αποφύγετε τη σωματική επαφή με γειωμένα σώματα, όπως σωλήνες, θερμαντικά σώματα, φούρνους ή ψυγεία.

Μην αφήνετε άλλα άτομα να πλησιάσουν. Μην επιτρέπετε σε άλλα άτομα, ειδικά παιδιά, τα οποία δεν έχουν σχέση με την εργασία, να αγγίζουν το εργαλείο ή το καλώδιο προέκτασης και μην τα αφήνετε να παρευρίσκονται στο χώρο εργασίας.

Αποθηκεύετε τα εργαλεία που δεν χρησιμοποιούνται. Όταν τα εργαλεία δεν χρησιμοποιούνται, πρέπει να φυλάσσονται σε ένα στεγνό μέρος που κλειδώνει, στον οποίο δεν έχουν πρόσβαση τα παιδιά.

Μην υπερφορτώνετε το μηχάνημα. Χρησιμοποιείτε το ενδεδειγμένο για την εργασία σας ηλεκτρικό εργαλείο. Με

το κατάλληλο ηλεκτρικό εργαλείο εργάζεστε καλύτερα και με περισσότερη ασφάλεια στο προβλεπόμενο εύρος ισχύος.

Χρησιμοποιείτε το σωστό εργαλείο. Μην εξαναγκάζετε μικρά εργαλεία να πραγματοποιούν την εργασία ενός εργαλείου βαρέως καθήκοντων.

Να ντύσετε κατάλληλα. Μη φοράτε φαρδιά ενδύματα ή κοσμήματα, δεδομένου ότι υπάρχει κίνδυνος να εγκλωβιστούν στα κινούμενα μέρη.

Χρησιμοποιείτε προστατευτικό εξοπλισμό. Χρησιμοποιείτε γυαλιά προστασίας. Χρησιμοποιείτε μάσκα προσώπου ή μάσκα προστασίας από τη σκόνη, αν οι δραστηριότητες εργασίας δημιουργούν σκόνη.

Συνδέετε πάντοτε απορροφητήρα σκόνης. Εάν είναι δυνατή η συναρμολόγηση διατάξεων απορρόφησης και συλλογής της σκόνης, βεβαιωθείτε, πως είναι συνδεδεμένες και χρησιμοποιούνται σωστά.

Μην χρησιμοποιείτε το καλώδιο για σκοπούς διαφορετικούς από τον προβλεπόμενο όπως για τη μεταφορά. Μην τραβάτε ποτέ το καλώδιο για να το αποσυνδέσετε από την πρίζα. Κρατάτε το καλώδιο μακριά από θερμότητα, λάδι και αιχμηρές άκρες.

Ασφαλίστε το τεμάχιο εργασίας. Όπου είναι δυνατόν, χρησιμοποιείτε σφικτήρες ή μία μέγνη για να στερεώσετε το τεμάχιο εργασίας. Είναι πιο ασφαλές από το να χρησιμοποιείτε το χέρι σας.

Μη σκύβετε και να κρατάτε την ισορροπία σας συνεχώς.

Διατηρείτε τα εργαλεία με επιμέλεια. Διατηρείτε τα εργαλεία καθαρά και καθαρά, για καλύτερη και ασφαλέστερη απόδοση. Τηρείτε τις οδηγίες για τη λίπανση και την αντικατάσταση των εξαρτημάτων. Ελέγχετε τα καλώδια των εργαλείων περιοδικά και αν έχουν υποστεί ζημιά, αναθέστε την επισκευή τους σε ένα εξουσιοδοτημένο κέντρο σέρβις. Ελέγχετε περιοδικά τα καλώδια προέκτασης και αντικαταστήστε τα, αν έχουν υποστεί ζημιά.

Αποσυνδέετε τα εργαλεία. Αποσυνδέετε τα εργαλεία από την παροχή ρεύματος, όταν δεν χρησιμοποιούνται, πριν από τη συντήρηση και όταν αλλάζετε εξαρτήματα, όπως λεπίδες, μύτες τρυπανιών και δίσκους κοπής.

Αφαιρείτε τα κλειδιά ρύθμισης. Αποκτήστε τη συνήθεια να ελέγχετε, ότι τα κλειδιά ρύθμισης έχουν αφαιρεθεί από το εργαλείο, προτού αυτό τεθεί σε λειτουργία.

Αποφεύγετε το ενδεχόμενο ακούσιας θέσης σε λειτουργία. Βεβαιωθείτε ότι ο διακόπτης βρίσκεται στη θέση "off" κατά την εγκατάσταση της συστοιχίας μπαταριών.

Χρησιμοποιείτε καλώδια προέκτασης για εξωτερικούς χώρους. Όταν το εργαλείο χρησιμοποιείται σε εξωτερικούς χώρους, χρησιμοποιείτε μόνο καλώδια προέκτασης, τα οποία προορίζονται για εξωτερική χρήση και φέρουν την αντίστοιχη σήμανση.

Παραμείνατε σε εγρήγορση. Συγκεντρώνετε την προσοχή σας σε αυτό που κάνετε, χρησιμοποιείτε την κοινή λογική και μη λειτουργείτε το εργαλείο, όταν είστε κουρασμένοι.

Πριν από τη χρήση, ελέγχετε προσεκτικά το εργαλείο για τυχόν ζημιές ή κόπωση του υλικού. Ελέγχετε την ευθυγράμμιση των κινούμενων μερών, τον τζόγο των κινούμενων μερών, τη συναρμολόγηση και οποιοσδήποτε άλλες συνθήκες που θα μπορούσαν να επηρεάσουν τη λειτουργία του.

Μη χρησιμοποιείτε το μηχάνημα, αν τα προστατευτικά δεν είναι στη θέση τους και δε λειτουργούν σωστά.

Σε περίπτωση βλάβης επισκευάστε τα άμεσα σε ένα εξουσιοδοτημένο συνεργείο. Μη χρησιμοποιείτε το εργαλείο, αν ο διακόπτης λειτουργίας δεν το ενεργοποιεί και απενεργοποιεί.

ΠΡΟΕΙΔΟΠΟΙΗΣΗ Η χρήση οποιουδήποτε εξαρτήματος ή προσαρτήματος εκτός από εκείνα, τα οποία συνηθίζονται στις παρούσες οδηγίες χρήσης, ενδέχεται να ενέχει κίνδυνο προσωπικού τραυματισμού.

Βεβαιωθείτε ότι το εργαλείο σας επισκευάζεται από ειδικευμένο τεχνικό. Το παρόν ηλεκτρικό εργαλείο συμμορφώνεται με τους σχετικούς κανόνες ασφαλείας. Οι επισκευές πρέπει να πραγματοποιούνται μόνο από εξειδικευμένα άτομα χρησιμοποιώντας γνήσια ανταλλακτικά, ειδώλλως αυτό μπορεί να οδηγήσει σε σημαντικό κίνδυνο για το χρήστη.

ΟΔΗΓΙΕΣ ΑΣΦΑΛΕΙΑΣ ΓΙΑ ΦΑΛΤΣΟΠΡΙΟΝΑ

Να στερεώνετε πάντα το τεμάχιο εργασίας με ασφάλεια.

Να σιγουρεύεστε πως η μηχανή είναι σταθερή (π.χ. στερέωση στον πάγκο εργασίας)..

Φοράτε ωτοασπίδες. Η επίδραση του θορύβου μπορεί να προκαλέσει απώλεια ακοής.

Κατά την εργασία με τη μηχανή φοράτε πάντα προστατευτικά γυαλιά. Συνιστάται να φοράτε προστατευτικά γάντια για το χειρισμό λεπίδων και τραχιών υλικών, καθώς και ανθεκτικά αντιολισθητικά παπούσια που προστατεύουν επίσης τα πόδια από τεμάχια εργασίας που μπορεί να πέσουν από την περιοχή κοπής.

Να αφαιρείτε πάντα την πρίζα ή τη συστοιχία μπαταριών, πριν εκτελέσετε οποιαδήποτε ρύθμιση, συντήρηση ή καθαρισμό στο μηχάνημα.

Βεβαιωθείτε ότι το μηχάνημα είναι απενεργοποιημένο, πριν τοποθετήσετε ή αφαιρέσετε τη συστοιχία μπαταριών.

Μη στέκεστε στην ίδια ευθεία με τη λεπίδα πριονιού μπροστά από το μηχάνημα.

Να στέκεστε πάντα στο πλάι της λεπίδας πριονιού.

Κρατάτε τα χέρια, τα δάχτυλα και τους βραχίονες μακριά από την περιστρεφόμενη λεπίδα πριονιού.

Μην πλησιάζετε ποτέ στην περιοχή κοντά στη λεπίδα, εκτός αν αυτή έχει σταματήσει εντελώς.

Πριν από τη χρήση, ελέγχετε προσεκτικά το εργαλείο για τυχόν ζημιές ή κόπωση του υλικού. Να αφήνετε να επισκευάζονται τα φθαρμένα εξαρτήματα από έναν ειδικό.

Χρησιμοποιείτε οπωσδήποτε τη διάταξη προστασίας της μηχανής. Μη χρησιμοποιείτε το μηχάνημα, αν τα προστατευτικά δεν είναι στη θέση τους και δε λειτουργούν σωστά.

Το κινητό προστατευτικό κάλυμμα δεν επιτρέπεται να ασφαλιστεί στην ανοιχτή κατάσταση.

Σε περίπτωση εμπλοκής στο προς κατεργασία τεμάχιο ή στο δίσκο, απενεργοποιήστε το φαλτσοπριόνι. Περιμένετε μέχρι να ακινητοποιηθούν όλα τα κινητά μέρη και αποσυνδέστε το εργαλείο από την παροχή ρεύματος και/ή αφαιρέστε την μπαταρία. Στη συνέχεια, αφαιρέστε το σφηνωμένο υλικό.

Μη μεταβάλλετε ή τροποποιείτε ποτέ το πριόνι ή τη λειτουργία του. Ενδέχεται να θέσετε σε κίνδυνο τον εαυτό σας.

Μη χρησιμοποιείτε λεπίδες που είναι ραγιωμένες, κατεστραμμένες ή παραμορφωμένες.

Δεν χρησιμοποιείτε πριονοδίσκους κατασκευασμένους από ταχυάλυβα.

Χρησιμοποιείτε μόνο λεπίδες που είναι αιχμηρές. Αντικαθιστάτε τις αμβλείες λεπίδες με νέες.

Χρησιμοποιείτε μία λαβή λεπίδας ή φοράτε προστατευτικά γάντια, όταν χειρίζεστε μία λεπίδα πριονιού.

Χρησιμοποιείτε πάντοτε πριονοδίσκους με το σωστό μέγεθος και με κατάλληλη τρύπα υποδοχής.



Πριονόδοσκι που δεν ταιριάζουν με τα εξαρτήματα συναρμολόγησης του πριονιού περιστρέφονται ασύμμετρα και οδηγούν στην απώλεια του ελέγχου του μηχανήματος.

Χρησιμοποιείτε μόνο λεπίδες επεξεργασίας ξύλου που καθορίζονται στο παρόν εγχειρίδιο, οι οποίες συμμορφώνονται με το πρότυπο EN 847-1.

Μη χρησιμοποιείτε φλάντζες, ροδέλες και περικόχλια για να ασφαλιστείτε τη λεπίδα πριονιού, εκτός εκείνων που παρέχονται ή υποδεικνύονται στο εγχειρίδιο οδηγιών.

Πρέπει να τηρείται ο αναφερόμενος επάνω στον πριονοδίσκο μέγιστος αριθμός στροφών.

Επιλέγεται ένα κατάλληλο πριονοδίσκο για το υλικό που θέλετε να κόψετε.

Μη χρησιμοποιείτε ποτέ το δισκοπρίονο για την κοπή υλικών άλλων από εκείνων που καθορίζονται στην ενότητα προβλεπόμενης χρήσης του παρόντος εγχειριδίου.

Αντικαθιστάτε το ένθετο πάγκου, όταν φθαρεί ή καταστραφεί.

Πριν από την εργασία, πραγματοποιήστε μία εικονική τομή χωρίς ο κινητήρας να είναι ενεργοποιημένος, προκειμένου να ελέγξετε τη θέση της λεπίδας, τη λειτουργία των προστατευτικών αναφορικά με τα άλλα μέρη της μηχανής και το τεμάχιο εργασίας.

Μην απομακρύνετε υπολείμματα πριονίσματος ή άλλα τμήματα του κατεργασθέντος αντικειμένου από την περιοχή πριονίσματος όταν λειτουργεί η μηχανή και δεν έχει ακινητοποιηθεί η κεφαλή του πριονιού.

Όταν μεταφέρετε το μηχανήμα, χρησιμοποιείτε μόνο συσκευές μεταφοράς και ποτέ μη χρησιμοποιείτε προστατευτικά για το χειρισμό ή τη μεταφορά.

Εκτελείτε τη μεταφορά του φάλτσοπριονίου μόνο με τοποθετημένη την ασφάλεια μεταφοράς στη χειρολαβή.

Το δάπεδο να διατηρείται ελεύθερο από κατάλοιπα υλικών, π.χ. ροκανίδια κλπ..

Τεμάχια κατεργασίας μεγάλου μήκους πρέπει να στηρίζονται κατάλληλα.

Δεν επιτρέπεται το κόψιμο αντικειμένων με στρογγυλή ή όχι ομοιόμορφη διατομή (π.χ. καυσόξυλα), διότι δεν συγκρατούνται καλά κατά το πριόνισμα. Όταν κόβετε όρθια αντικείμενα που είναι σχετικά λεπτά, να υπάρχει βοηθητικός οδηγός για ασφαλή καθοδήγηση.

Η δημιουργούμενη κατά την εργασία σκόνη είναι συχνά επιβλαβής για την υγεία και δεν πρέπει να έρχεται σε επαφή με το σώμα.

Χρησιμοποιείτε μια διάταξη αναρρόφησης της σκόνης και φοράτε επιπλέον μια κατάλληλη προσωπίδα προστασίας από τη σκόνη. Απομακρύνετε επιμελώς τη μαζεμένη σκόνη, π.χ. με αναρρόφηση.

Συνδέστε το πριόνι σε συσκευή απορρόφησης σκόνης όταν πριονίζετε ξύλο.

Μην αντικαθιστάτε το LED ή το λέιζερ με άλλο διαφορετικού τύπου. Τυχόν επισκευές πρέπει να εκτελούνται μόνο από τον κατασκευαστή ή τον εξουσιοδοτημένο αντιπρόσωπο σέρβις.

Οι λεπίδες πριονιού, που δεν αντιστοιχούν με τα χαρακτηριστικά στοιχεία σε αυτές τις οδηγίες χρήσης, δεν επιτρέπεται να χρησιμοποιηθούν.

Τα εργαλεία πρέπει να μεταφέρονται και να φυλάγονται σε ένα κατάλληλο δοχείο

Σφάλματα στη μηχανή, συμπεριλαμβανομένης της προστατευτικής διάταξης ή των πριονοδίσκων, πρέπει μόλις αυτά γίνουν αντιληπτά, να δηλωθούν στον υπεύθυνο ασφαλείας.

Κατά την εκτέλεση οδηγούμενης κοπής ξύλου, κοπής ξύλου υπό γωνία και σύνθετες οδηγούμενες κοπές ξύλου, ρυθμίστε το

συρόμενο φράχτη για να εξασφαλιστεί η σωστή απόσταση από τη λεπίδα.

Αποφύγετε υπερθέρμανση των δοντιών της λάμας του πριονιού και λιώσιμο του υλικού που κόβετε αν πρόκειται για πλαστικό ρυθμίζοντας τη ταχύτητα του πριονιού.

ΠΡΟΕΙΔΟΠΟΙΗΣΗ Μην αντικαταστήτε τη λυχνία LED με λυχνία άλλου τύπου.

ΛΕΠΙΔΑ ΚΟΠΗΣ ΞΥΛΟΥ ΕΙΔΙΚΗΣ ΥΠΟΔΕΙΞΗΣ ΑΣΦΑΛΕΙΑΣ

Παρακαλούμε διαβάστε το εγχειρίδιο και τις οδηγίες προσεκτικά, πριν χρησιμοποιήσετε τη λεπίδα πριονιού και το μηχανήμα.

Το μηχανήμα πρέπει να βρίσκεται σε καλή κατάσταση, η άτρακτος να είναι χωρίς παραμόρφωση και δονήσεις.

Μη χρησιμοποιείτε το πριόνι, αν τα προστατευτικά δεν βρίσκονται στη θέση τους, διατηρείτε τα προστατευτικά σε καλή κατάσταση λειτουργίας και σωστά συντηρημένα.

Βεβαιωθείτε ότι ο χειριστής είναι επαρκώς εκπαιδευμένος στα προληπτικά μέτρα ασφαλείας, τη ρύθμιση και τη λειτουργία του μηχανήματος.

Να φοράτε πάντα προστατευτικά γυαλιά και ωτοασπίδες, όταν χρησιμοποιείτε το μηχανήμα. Συνιστάται να φοράτε προστατευτικά γάντια, ανθεκτικά αντιολισθητικά υποδήματα και ποδιά.

Πριν από τη χρήση οποιουδήποτε εξαρτήματος, συμβουλευτείτε το εγχειρίδιο οδηγιών. Η ακατάλληλη χρήση ενός εξαρτήματος μπορεί να προκαλέσει ζημιά και να αυξήσει την πιθανότητα τραυματισμού.

Χρησιμοποιείτε μόνο λεπίδες που καθορίζονται στο παρόν εγχειρίδιο, οι οποίες συμμορφώνονται με το πρότυπο EN 847-1.

Λαμβάνετε υπόψη τη μέγιστη ταχύτητα που αναγράφεται στη λεπίδα πριονιού. Βεβαιωθείτε ότι η ταχύτητα που αναγράφεται στη λεπίδα πριονιού είναι τουλάχιστον ίση με την ταχύτητα που αναγράφεται στο πριόνι.

Χρησιμοποιείτε πάντοτε πριονοδίσκους με το σωστό μέγεθος και με κατάλληλη τρύπα υποδοχής.

Πριονοδίσκοι που δεν ταιριάζουν με τα εξαρτήματα συναρμολόγησης του πριονιού περιστρέφονται ασύμμετρα και οδηγούν στην απώλεια του ελέγχου του μηχανήματος.

Μη χρησιμοποιείτε λεπίδες μεγαλύτερης ή μικρότερης διαμέτρου από τη συνιστώμενη. Μη χρησιμοποιείτε αποστάτες για την προσαρμογή της λεπίδας στον άξονα.

Ελέγχετε τις άκρες της λεπίδας πριονιού για ζημιά ή μη φυσιολογική εμφάνιση πριν από κάθε χρήση. Οι κατεστραμμένες ή χαλαρές άκρες μπορεί να εκτοξευθούν κατά τη χρήση και αυξάνουν τον κίνδυνο προσωπικού τραυματισμού.

Οι ραγισμένες πριονολάμες (πριονοδίσκοι) ή αυτές που έχουν παραμορφωθεί δεν επιτρέπεται να χρησιμοποιηθούν! Μη χρησιμοποιείτε ελαττωματικές ή στρεβλωμένες πριονολάμες.

Αχρηστέψτε τη λεπίδα πριονιού, αν έχει υποστεί ζημιά, είναι παραμορφωμένη, στρεβλωμένη ή ραγισμένη, η επισκευή δεν επιτρέπεται.

Δεν χρησιμοποιείτε πριονοδίσκους κατασκευασμένους από ταχυχάλυβα.

Βεβαιωθείτε ότι η λεπίδα πριονιού έχει τοποθετηθεί σωστά, σφίξτε το περικόχλιο άξονα με ασφάλεια πριν από τη χρήση (ροπή σύσφιξης περ. 12 Nm).

Η βίδα στερέωσης και τα περικόχλια πρέπει να σφίγγονται χρησιμοποιώντας το κατάλληλο κλειδί κλπ.



Δεν επιτρέπεται η επέκταση του κλειδίου σύσφιξης ή το σφίξιμο με τη χρήση χτυπημάτων σφυριού.

Βεβαιωθείτε ότι η λεπίδα και οι φλάντζες είναι καθαρές και οι πλευρές του κολάρου με εσοχές είναι κόντρα στη λεπίδα.

Βεβαιωθείτε ότι η λεπίδα περιστρέφεται προς τη σωστή κατεύθυνση.

Πριν από την εργασία, πραγματοποιήστε μία εικονική τομή χωρίς να είναι ενεργοποιημένος ο κινητήρας, προκειμένου να ελέγξετε τη θέση της λεπίδας, τη λειτουργία των προστατευτικών αναφορικά με τα άλλα μέρη της μηχανής και το τεμάχιο εργασίας.

Μην αφήνετε ποτέ το μηχάνημα χωρίς επίβλεψη.

Μην εφαρμόζετε λιπαντικά στη λεπίδα, ενώ βρίσκεται σε λειτουργία.

Μην εκτελείτε ποτέ οποιαδήποτε εργασία καθαρισμού ή συντήρησης, ενώ το μηχάνημα βρίσκεται ακόμη σε λειτουργία και η κεφαλή δεν βρίσκεται σε θέση ηρεμίας.

Μην επιχειρείτε ποτέ να σταματήσετε γρήγορα ένα μηχάνημα σε κίνηση εμπλέκοντας ένα εργαλείο ή άλλα μέσα κόντρα στη λεπίδα - υπάρχει κίνδυνος ακούσιου πρόκλησης σοβαρών ατυχημάτων.

Να αποσυνδέετε το πρίνι από το ηλεκτρικό δίκτυο ή να αφαιρείτε τη συστοιχία μπαταριών πριν από την αλλαγή των λεπίδων ή τη διενέργεια συντήρησης.

Προσέξτε, όταν συσκευάζετε και αποσυσκευάζετε τη λεπίδα, είναι εύκολο να τραυματιστείτε από τις αιχμηρές άκρες της λεπίδας.

Χρησιμοποιείτε μία λαβή λεπίδας ή φοράτε προστατευτικά γάντια, όταν χειρίζεστε μία λεπίδα πριονιού.

Φυλάσσετε και αποθηκεύετε τη λεπίδα στην αρχική συσκευασία ή σε άλλη κατάλληλη συσκευασία, σε ξηρές συνθήκες και μακριά από χημικές ουσίες που μπορούν να καταστρέψουν τη λεπίδα.

ΕΙΔΙΚΕΣ ΥΠΟΔΕΙΞΕΙΣ ΑΣΦΑΛΕΙΑΣ ΛΕΙΞΕΡ

Η ακτινοβολία λέιζερ που χρησιμοποιείται σε αυτό το πρίνι είναι κατηγορίας 1 με μέγιστη τιμή <1mW και μήκη κύματος 650nm. Μην κοιτάζετε απευθείας με οπτικά όργανα. Η μη συμμόρφωση με τους κανόνες μπορεί να οδηγήσει σε σοβαρό προσωπικό τραυματισμό.

Μην κοιτάζετε απευθείας την ακτίνα κατά τη λειτουργία.

Μην προβάλλετε την ακτίνα λέιζερ απευθείας στα μάτια των άλλων.

Μπορεί να προκαλέσει σοβαρό τραυματισμό των ματιών.

Μην τοποθετείτε το λέιζερ σε τέτοια θέση, που μπορεί να προκαλέσει κάποιον να κοιτάξει, σκόπιμα ή μη, στην ακτίνα λέιζερ.

Μη χρησιμοποιείτε οπτικά εργαλεία για να δείτε την ακτίνα λέιζερ.

Μη χρησιμοποιείτε το λέιζερ κοντά σε παιδιά και μην αφήνετε παιδιά να το χρησιμοποιούν.

Μην επιχειρείτε να επισκευάσετε μόνοι σας τη συσκευή λέιζερ.

Μην επιχειρείτε να αλλάξετε μόνοι σας οποιαδήποτε μέρη της συσκευής λέιζερ.

Τυχόν επισκευές πρέπει να εκτελούνται μόνο από τον κατασκευαστή ή τον εξουσιοδοτημένο αντιπρόσωπο σέρβις.

ΠΡΟΕΙΔΟΠΟΙΗΣΗ Μην αντικαταστήσετε τ ενσωματωμέν λέιζερ με ένα άλλ λέιζερ διαφρετικού τύπου.

Μην κατευθύνετε την ακτίνα λέιζερ επάνω σε αντανακλαστικές επιφάνειες.

Μην εκτίθεστε στην ακτινοβολία λέιζερ. Το λέιζερ μπορεί να εκπέμπει ισχυρή ακτινοβολία.

ΧΡΗΣΗ ΣΥΜΦΩΝΑ ΜΕ ΤΟ ΣΚΟΠΟ ΠΡΟΟΡΙΣΜΟΥ

Το σύνθετο δισκοπρίνο πάγκου προορίζεται για το πρίνισμα στερεού και συγκολλημένου ξύλου με ή χωρίς επικάλυψη καπλαμά, πλαστικών και υλικών παρόμοιων με ξύλο.

Το σύνθετο δισκοπρίνο πάγκου προορίζεται για χρήση μόνο από ενήλικες χειριστές που έχουν διαβάσει το εγχειρίδιο οδηγιών και κατανοούν τους κινδύνους.

Το σύνθετο δισκοπρίνο πάγκου έχει σχεδιαστεί για να στερεώνει τα στη βάση της στερεής επιφάνειας πάγκου. Αν η βάση δεν είναι καλά στερεωμένη, ολόκληρο το μηχάνημα ενδέχεται να μετακινηθεί κατά τη διάρκεια των εργασιών κοπής, γεγονός που αυξάνει την πιθανότητα σοβαρού προσωπικού τραυματισμού.

Το σύνθετο δισκοπρίνο πάγκου έχει σχεδιαστεί για κοπές με λοξοτομή και φαλτσγωνία. Οι δυνατότητες για τις διάφορες κοπές παρέχονται στις προδιαγραφές του προϊόντος στο παρόν εγχειρίδιο.

Το σύνθετο δισκοπρίνο πάγκου πρέπει να χρησιμοποιείται σε ξηρές συνθήκες, με εξαιρετικό φωτισμό περιβάλλοντος και επαρκή αερισμό.

Το σύνθετο δισκοπρίνο πάγκου προορίζεται για καταναλωτική χρήση και πρέπει να χρησιμοποιείται μόνο σύμφωνα με την άνωθεν περιγραφή και δεν προορίζεται για κανέναν άλλο σκοπό.

ΛΟΙΠΟΙ ΚΙΝΔΥΝΟΙ

Ακόμη και όταν το σύνθετο δισκοπρίνο πάγκου χρησιμοποιείται όπως ορίζεται, εξακολουθεί να είναι αδύνατο να εξαλειφθούν πλήρως ορισμένοι υπολειπόμενοι παράγοντες κινδύνου. Οι ακόλουθοι κίνδυνοι ενδέχεται να προκύψουν και ο χειριστής θα πρέπει να δώσει ιδιαίτερη προσοχή για να αποφευχθούν τα εξής:

- Κίνδυνος επαφής με τα εκτεθειμένα μέρη της περιστρεφόμενης λεπίδας πριονιού.
- Οπισθοδρομική κίνηση των τεμαχίων εργασίας ή μερών των τεμαχίων εργασίας λόγω ακατάλληλης ρύθμισης ή χειρισμού.
- Εκτόξευση ελαττωματικών άκρων καρβιδίου από τη λεπίδα πριονιού. Φοράτε πάντα προστασία ματιών.
- Βλάβη στο αναπνευστικό σύστημα. Φοράτε μάσκες προστασίας αναπνοής που περιέχουν φίλτρα κατάλληλα για τα υλικά που επεξεργάζεστε. Βεβαιωθείτε ότι ο χώρος εργασίας αερίζεται επαρκώς. Μην τρώτε, πίνετε ή καπνίζετε στο χώρο εργασίας.
- Κίνδυνος βλάβης της ακοής, αν δεν φοράτε αποτελεσματική προστασία ακοής.

ΠΡΟΕΙΔΟΠΟΙΗΣΗ Η σκόνη από ορισμένες βαφές, επιχρίσματα και υλικά μπορεί να προκαλέσει ερεθισμό ή αλλεργικές αντιδράσεις. Η σκόνη από ξύλο, όπως δρυς, οξιά, MDF και άλλα είναι καρκινογόνος. Τα υλικά που περιέχουν αμίαντο πρέπει να υποβάλλονται σε κατεργασία ή επεξεργασία μόνο από εξειδικευμένους χειριστές.

ΠΡΟΕΙΔΟΠΟΙΗΣΗ Από την παρατεταμένη χρήση του εργαλείου μπορούν να προκληθούν τραυματισμοί ή να επιδεινωθούν. Όταν χρησιμοποιείτε οποιοδήποτε εργαλείο για παρατεταμένες χρονικές περιόδους, βεβαιωθείτε ότι κάνετε τακτικά διαλείμματα.

ΜΠΑΤΑΡΙΕΣ

Επαναφορτίστε τις ανταλλακτικές μπαταρίες που δεν έχουν χρησιμοποιηθεί για μεγαλύτερο χρονικό διάστημα πριν τη χρήση.

Μια θερμοκρασία πάνω από 50°C μειώνει την ιαχύ της ανταλλακτικής μπαταρίας. Αποφύγετε τη θέρμανση για μεγαλύτερο χρονικό διάστημα από τον ήλιο ή τις συσκευές θέρμανσης.

Διατηρείτε τις επαφές σύνδεσης στο φορτιστή και στην ανταλλακτική μπαταρία καθαρές.



Για μια άριστη διάρκεια ζωής πρέπει μετά τη χρήση οι μπαταρίες να φορτιστούν πλήρως.

Για μια κατά το δυνατόν μεγάλη διάρκεια ζωής οι μπαταρίες μετά τη φόρτιση οφείλουν να αφαιρεθούν από το φορτιστή.

Για την αποθήκευση της μπαταρίας για διάστημα μεγαλύτερο των 30 ημερών: Αποθηκεύετε τη μπαταρία περ. στους 27°C σε στεγνό χώρο. Αποθηκεύετε τη μπαταρία περ. στο 30%-50% της κατάστασης φόρτισης. Κάθε 6 μήνες φορτίζετε εκ νέου τη μπαταρία.

Όταν υπάρχει υπερβολική καταπόνηση ή υψηλή θερμοκρασία μπορεί να τρέξει υγρό μπαταρίας από τις χαλασμένες επαναφορτιζόμενες μπαταρίες. Αν έρθετε σε επαφή με υγρό μπαταρίας να πλυθείτε αμέσως με νερό και σαπούνι. Σε περίπτωση επαφής με τα μάτια να πλυθείτε σχολαστικά για τουλάχιστον 10 λεπτά και να αναζητήσετε αμέσως ένα γιατρό.

Μην αποθηκεύετε τις ανταλλακτικές μπαταρίες μαζί με μεταλλικά αντικείμενα (κίνδυνος βραχυκυκλώματος).

Μην πετάτε τις μεταχειρισμένες ανταλλακτικές μπαταρίες στη φωτιά ή στα οικιακά απορρίμματα. Η AEG προσφέρει μια απόσυρση των παλιών ανταλλακτικών μπαταριών σύμφωνα με τους κανόνες προστασίας του περιβάλλοντος, ρωτήστε παρακαλώ σχετικά στο ειδικό κατάστημα πώλησης.



ΣΥΣΤΟΙΧΙΑ ΜΠΑΤΑΡΙΩΝ ΚΑΙ ΦΟΡΤΙΣΤΗΣ

Συμβατή συστοιχία μπαταριών (δεν συμπεριλαμβάνεται): System GBS

Συμβατός φορτιστής(δεν συμπεριλαμβάνεται): System GBS

Φορτίζετε τις ανταλλακτικές μπαταρίες του συστήματος GBS μόνο με φορτιστές του συστήματος GBS. Μη φορτίζετε μπαταρίες από άλλα συστήματα.

ΜΕΤΑΦΟΡΑ ΤΩΝ ΜΠΑΤΑΡΙΩΝ ΙΟΝΤΩΝ ΛΙΘΙΟΥ

Οι μπαταρίες ιόντων λιθίου υπόκεινται στις απαιτήσεις των νομικών διατάξεων για την μεταφορά επικινδύνων εμπορευμάτων.

Η μεταφορά τέτοιων μπαταριών πρέπει να πραγματοποιείται τηρώντας τους τοπικούς, εθνικούς και διεθνείς κανονισμούς και τις αντίστοιχες διατάξεις.

Επιτρέπεται η μεταφορά τέτοιων μπαταριών στο δρόμο χωρίς περαιτέρω απαιτήσεις.

Η εμπορική μεταφορά μπαταριών ιόντων λιθίου από εταιρείες μεταφορών υπόκειται στις απαιτήσεις των νομικών διατάξεων για την μεταφορά επικινδύνων εμπορευμάτων. Οι προετοιμασίες αποστολής και η μεταφορά πραγματοποιούνται αποκλειστικά από ειδικά εκπαιδευμένα πρόσωπα. Η συνολική διαδικασία συνοδεύεται από εξειδικευμένο προσωπικό.

Κατά τη μεταφορά μπαταριών ιόντων λιθίου πρέπει να προσέχετε τα εξής:

Φροντίστε τα σημεία επαφών να είναι προστατευμένα και μονωμένα ώστε να αποφευχθούν βραχυκυκλώματα. Προσέξτε το πακέτο μπαταριών να είναι σταθερό μέσα στη συσκευασία και να μη γλιστρά. Η μεταφορά μπαταριών που παρουσιάζουν φθορές ή διαρροές δεν επιτρέπεται. Για περισσότερες πληροφορίες απευθυνθείτε στην εταιρεία μετάφορων.

ΠΡΟΣΤΑΣΙΑ ΥΠΕΡΦΟΡΤΩΣΗΣ ΤΗΣ ΜΠΑΤΑΡΙΑΣ

Σε υπερφόρτωση της μπαταρίας από πολύ υψηλή καναλάωση ρεύματος, π. χ. από ακραίες υψηλές ροπές περιστροφής, μπλοκάρισμα του τρυπανιού, δονείται το ηλεκτρικό εργαλείο για 5 δευτερόλεπτα, αναβοσβήνει η ένδειξη φόρτισης και το ηλεκτρικό εργαλείο απενεργοποιείται αυτόματα.

Για μια νέα ενεργοποίηση, αφήνετε ελεύθερο το διακόπτη και στη συνέχεια ενεργοποιείτε εκ νέου.

Κάτω από ακραίες καταπονήσεις θερμαίνεται πάρα πολύ η μπαταρία. Στην περίπτωση αυτή αναβοσβήνουν όλες οι λάμπες της ένδειξης φόρτισης μέχρι να έχει κρυσώσει η μπαταρία. Μετά το σβήσιμο της ένδειξης φόρτισης μπορεί να συνεχιστεί η συνεργασία.

Τοποθετείτε στη συνέχεια τη μπαταρία στη συσκευή φόρτισης για να τη φορτίσετε πάλι και να την ενεργοποιήσετε.

ΣΥΝΤΗΡΗΣΗ

Μην τροποποιείτε αυτό το πρίονι με οποιονδήποτε τρόπο και μη χρησιμοποιείτε εξαρτήματα που δεν είναι εγκεκριμένα από τον κατασκευαστή. Ενδέχεται να θέσετε σε κίνδυνο τον εαυτό σας και άλλους.

Μη χρησιμοποιείτε το πρίονι, αν οποιοδήποτε διακόπτες, προστατευτικά ή άλλες λειτουργίες του πριονιού δεν λειτουργούν όπως προβλέπεται. Απευθυνθείτε σε ένα εξουσιοδοτημένο κέντρο σέρβις για επαγγελματική επισκευή ή ρύθμιση.

Μην κάνετε οποιοδήποτε ρυθμίσεις, ενώ η λεπίδα πριονιού είναι σε κίνηση.

Αφαιρείτε τη συστοιχία μπαταριών πριν από την πραγματοποίηση ρυθμίσεων, λίπανσης ή όταν εκτελείτε οποιαδήποτε συντήρηση στο μηχανήμα.

Πριν και μετά από κάθε χρήση, ελέγχετε το πρίονι σας για ζημιές ή σπασμένα εξαρτήματα και να το διατηρείτε σε άριστη κατάσταση λειτουργίας αντικαθιστώντας εξαρτήματα αμέσως με ανταλλακτικά εγκεκριμένα από τον κατασκευαστή.

Η λεπίδα αναπτύσσει πολύ υψηλή θερμοκρασία μετά από τη χρήση, να φοράτε προστατευτικά γάντια ή να την αφήνετε να κρυσώσει, πριν προβείτε σε διαδικασίες συντήρησης ή καθαρισμού.

Καθαρίζετε τη συσσωρευμένη σκόνη χρησιμοποιώντας μία βούρτσα ή ηλεκτρική σκούπα. Μη χρησιμοποιείτε πεπιεσμένο αέρα.

Προκειμένου να διασφαλιστεί η ασφάλεια και η αξιοπιστία, όλες οι επισκευές, συμπεριλαμβανομένης της αλλαγής βουρτσών, θα πρέπει να εκτελούνται από εξουσιοδοτημένο κέντρο σέρβις.

Αποσυνδέετε το εργαλείο από το ρεύμα πριν τοποθετήσετε ή αφαιρέσετε την λεπίδα κόπτη.

Καθαρίζετε την συσκευή και τον εξοπλισμό προστασίας με ένα στεγνό πανί.

Διατηρείτε πάντοτε τις σχισμές εξερισμού της μηχανής καθαρές.

ΑΝΤΑΛΛΑΚΤΙΚΑ

Χρησιμοποιείτε μόνο εξαρτήματα και ανταλλακτικά της AEG. Αναθέστε την αλλαγή των εξαρτημάτων, των οποίων η αντικατάσταση δεν έχει περιγραφεί, σ' ένα κέντρο σέρβις της AEG (προσέξτε το εγχειρίδιο Εγγύηση/Διευθύνσεις εξυπηρέτησης πελατών).

Όταν χρειάζεται, μπορείτε να ζητήσετε ένα σχέδιο συναρμολόγησης της συσκευής, δίνοντας τον τύπο της μηχανής και αριθμό στην πινακίδα ισχύος, από το κέντρο σέρβις ή απευθείας από τη φίρμα Techtronic Industries GmbH, Max-Eyth-SträBe 10, 71364 Winnenden, Germany.

ΔΗΛΩΣΗ ΠΙΣΤΟΤΗΤΑΣ ΕΚ

Δηλώνουμε με αποκλειστική μας ευθύνη, ότι το προϊόν που περιγράφεται στα «Τεχνικά Χαρακτηριστικά» συμμορφώνεται με όλες τις σχετικές διατάξεις των οδηγιών 2011/65/ΕΕ, 2006/42/ΕΚ, 2014/30/ΕΕ και έχουν εφαρμοστεί τα ακόλουθα εναρμονισμένα πρότυπα EN 61029-1:2009 + A11:2010, EN 61029-2-9:2012 + A11:2013, EN 55014-1:2006+A1:2009+A2:2011, EN 55014-2: 1997+A1:2001+A2:2008, EN 50581:2012



Winnenden, 2016-12-02

Alexander Krug / Managing Director
Εξουσιοδοτημένος να συντάξει τον τεχνικό φάκελο.
Techtronic Industries GmbH
Max-Eyth-Straße 10, 71364 Winnenden, Germany

ΣΥΜΒΟΛΑ



ΠΡΟΣΟΧΗ! ΠΡΟΕΙΔΟΠΟΙΗΣΗ! ΚΙΝΔΥΝΟΣ!



Πριν από κάθε εργασία στη μηχανή αφαιρείτε την ανταλλακτική μπαταρία.



Παρακαλώ διαβάστε σχολαστικά τις οδηγίες χρήσης πριν από την έναρξη λειτουργίας.



Στις εργασίες με τη μηχανή φοράτε πάντοτε προστατευτικά γυαλιά.



Φοράτε προστασία ακοής (ωτασπίδες)!



Να φοράτε προστατευτικά γάντια!



Ανοιγμα βίδας / Κατεύθυνση της περιστροφής



Ποτέ μη βάζετε τα χέρια σας στην περιοχή της πριονόλαμας.



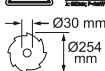
Η συσκευή είναι κατάλληλη για χρήση μόνο σε εσωτερικούς χώρους, μην εκθέσετε τη συσκευή στη βροχή.



Μην κοιτάζετε στην έξοδο της ακτίνας λέιζερ



This product corresponds to the laser class 1 in accordance with EN 60825-1:2014.



Διάμετρος λεπίδας πριονιού x διάμετρος διάτρησης



Κατεύθυνση της περιστροφής



λεπίδα δόντια



Πλάτος τομής



Ηλεκτρικά μηχανήματα δεν επιτρέπεται να απορρίπτονται μαζί με τα οικιακά απορρίμματα. Ηλεκτρικά και ηλεκτρονικά μηχανήματα συλλέγονται ξεχωριστά και παραδίδονται προς ανακύκλωση με τρόπο φιλικό προς το περιβάλλον σε επιχείρηση επεξεργασίας απορριμμάτων. Ενημερωθείτε από τις τοπικές υπηρεσίες ή από ειδικευμένους εμπόρους σχετικά με κέντρα ανακύκλωσης και συλλογής απορριμμάτων.



Σήμα συμμόρφωσης CE



UkrSEPRO σήμα πιστότητας.

TR 086



EurAsian σήμα πιστότητας.



TEKNİK VERİLER	BPS18-254BL
Çekme kapaklı ve çapraz testere *	
Üretim numarası	4601 74 01... ... 000001-999999
Kartuş akü gerilimi	18 V
Boştaki devir sayısı	3900 min ⁻¹
Testere bıçağı çapı x delik çapı	254 x 30 mm
Testere bıçağı beden kalınlığı	1,6 mm
Testere bıçağı dış kalınlığı	2,2 mm
Maksimum kesim performansı	
Gönye 0° / Meyilde 0°	90 mm x 305 mm
Gönye 0° / Meyilde 45° ↘	39 mm x 305 mm
Gönye 0° / Meyilde 45° ↘	43 mm x 305 mm
Gönye ↘ 45° / Meyilde 0°	90 mm x 215 mm
Gönye ↘ 45° / Meyilde 0°	50 mm x 215 mm
Gönye 45° / Meyilde 45° ↘	39 mm x 215 mm
Gönye 45° / Meyilde 45° ↘	43 mm x 215 mm
Minimum iş parçası boyutu	215 x 35 x 2,5 mm
Ağırlığı ise EPTA-üretici 01/2003'e göre (Li-Ion 5.0 Ah)	16,3 kg
Gürültü bilgileri	
Ölçüm değerleri EN 61029 e göre belirlenmektedir. Aletin, frekansa bağımlı uluslararası ses basıncı seviyesi değerlendirme eğrisi A'ya göre tipik gürültü seviyesi:	
Ses basıncı seviyesi (Tolerans K=3dB(A))	89,0 dB (A)
Akustik kapasite seviyesi (Tolerans K=3dB(A))	98,5 dB (A)
Koruyucu kulaklık kullanın!	
Vibrasyon bilgileri	
Toplam titreşim değeri (üç yönün vektör toplamı) EN 61029'e göre belirlenmektedir:	
Ağaç yontma: titreşim emisyon değeri a _h	1,1 m/s ²
Tolerans K=	1,5 m/s ²

* PS Δ Çekme kapaklı ve çapraz testere

UYARI!

Bu talimatlarda belirtilen titreşim seviyesi, EN 61029 standardına uygun bir ölçme metodu ile ölçülmüştür ve elektrikli el aletleri birbirleriyle karşılaştırmak için kullanılabilir. Ölçüm sonuçları ayrıca titreşim yükünün geçici değerlendirmesi için de uygundur.

Belirtilen titreşim seviyesi, elektrikli el aletinin genel uygulamaları için geçerlidir. Ancak elektrikli el aleti başka uygulamalar için, farklı eklenti parçalarıyla ya da yetersiz bakım koşullarında kullanılırsa, titreşim seviyesi farklılık gösterebilir. Bu durumda, titreşim yükü toplam çalışma zamanı aralığı içerisinde belirgin ölçüde yükselebilir.

Titreşim yükünün tam bir değerlendirmesi için ayrıca cihazın kapalı olduğu süreler ve cihazın çalışır durumda olduğu, ancak gerçek kullanımında bulunmadığı süreler de dikkate alınmalıdır. Böylelikle, toplam çalışma zamanı aralığı boyunca meydana gelen titreşim yükü belirgin ölçüde azaltılabilir.

Kullanıcı titreşimlerin etkisinden korumak üzere, örneğin elektrikli el aletlerinin ve eklenti parçalarının bakımı, ellerin sıcak tutulması ve iş akışlarının organizasyonu gibi ek güvenlik tedbirleri belirleyiniz.

⚠ UYARI Güvenlikle ilgili bütün açıklamaları. Açıklanan uyarılara ve talimat hükümlerine uyulmadığı takdirde elektrik çarpmalarına, yangınlara ve/veya ağır yaralanmalara neden olunabilir.

Bütün uyarıları ve talimat hükümlerini ileride kullanmak üzere saklayın.

GENEL GÜVENLİK AÇIKLAMALARI

⚠ UYARI

Elektrikli aletlerin kullanılmasından önce elektrik çarpması, yaralanma ve yangın tehlikesinden korunmak için aşağıdaki temel güvenlik önlemlerine dikkat edilmesi gerekmektedir. Elektrikli aleti kullanmadan önce bu uyarıların tamamını okuyun ve güvenlik uyarılarını iyi bir şekilde muhafaza edin.

Çalışma alanını temiz tutun. Dağınık alanlar ve tezgâhlar yaralanmalara davetiye çıkarır.

Çalışma alanının çevresine dikkat edin. Aletleri yağmur altında bırakmayın. Aletleri nemli veya ıslak yerlerde kullanmayın. Çalışma alanını iyi aydınlatın. Yanıcı sıvılar veya gazlar varken aletleri kullanmayın.

Dikkat! Elektrik çarpması tehlikesi. Boru, kalorifer peteği, fırın veya buzdolapları gibi topraklanmış parçaların vücudunuz ile temas etmesinden kaçınınız.

Diğer kişileri uzak tutun. Kişilerin, özellikle de çocukların, işe karışmasına veya alete ya da uzatma kablosuna dokunmasına izin vermeyin ve onları çalışma alanından uzak tutun.

Boştaki aletleri muhafaza edin. Kullanılmadıkları zaman aletler, çocukların ulaşamayacağı kuru ve kilitli bir yerde muhafaza edilmelidir.

Cihaza aşırı yüklenmeyin. İşiniz için uygun elektrikli aleti kullanın. Uygun elektrikli aletle belirtilen güç aralığında daha iyi ve daha güvenli çalışırsınız.

Doğru aleti kullanın. Ağır bir aletin işini yapmak için küçük aletleri zorlamayın.

Uygun bir şekilde giyinin. Gevşek giysiler veya mücevherler giymeyin, hareketli parçalara takılabilirler.

Koruyucu ekipman kullanın. Koruyucu gözlük kullanın. Çalışma esnasında toz çıkıyorsa, yüz veya toz maskesi kullanın.

Zawsze należy podłączyć urządzenie odsysania pyłu. Toz emme ve toplama tertibatları monte edilebiliyorsa, bunların bağlı olduğundan ve doğru kullanıldığından emin olun.

Kabloyu amacı dışında örn. elektrikli alet taşıamak. Prizden çıkarmak için kabloyu asla çekmeyin. Kabloyu ısı, yağ ve keskin kenarlardan uzak tutun.

İş parçasını güvenceye alın. Parçayı tutmak için mümkünse kelepçe veya mengene kullanın. Elinizi tutmaktan daha güvenlidir.

Fazla dışarı uzanmayınız ve her zaman dengeli durunuz.

Aletlerin bakımını dikkatli bir şekilde yapın. Daha iyi ve daha güvenli bir performans elde etmek için kesici aletleri keskin ve temiz tutun. Yağlama ve aksesuar değişikliği için talimatlara uyun. Alet kablolarını periyodik olarak kontrol edin ve hasarlı kabloların yetkili bir servis tarafından onarılmasını sağlayın. Uzatma kablolarını periyodik olarak kontrol edin ve hasarlılarsa değiştirin.

Aletlerin bağlantısını kesin. Kullanımda değilken, bakım yapmadan önce ve bıçak, uç ve kesici gibi aksesuarları değiştirirken, aletleri güç kaynağından ayırın.

Ayar ve vida anahtarlarını çıkarın. Açmadan önce ayar ve vida anahtarlarını aletten çıkarıldığını kontrol etme alışkanlığı oluşturun.

Yanlışlıkla işletime almaktan kaçının. Pil paketini takarken anahtarın "kapalı" konumunda olduğundan emin olun.

Dış mekân uzatma kabloları kullanın. Aleti dış mekânda kullanırken, yalnızca dış mekân kullanımına yönelik ve bu şekilde işaretlenmiş uzatma kablolarını kullanın.

Dikkatli olun. Ne yaptığınıza bakın, sağduyulu olun ve yorgunken aleti çalıştırmayın.

Kullanmadan önce, aleti herhangi bir hasar veya malzeme yorgunluğuna karşı iyice kontrol edin. Hareketli parçaların hiza ve bağlantılarını, parçalarındaki kırıkları, montajı ve aletin çalışmasını etkileyebilecek diğer unsurları kontrol edin.

Korkuluklar yerinde değilse ve doğru çalışmıyorsa, makineyi kullanmayın.

Hasarları derhal yetkili bir tamirhanede tamir ettiriniz. Anahtar aleti açıp kapatamıyorsa, aleti kullanmayın.

UYARI Bu kullanma kılavuzunda önerilenlerin dışındaki bir aksesuar veya eklentinin kullanılması, kişisel yaralanma tehlikesine neden olabilir.

Aletinizi nitelikli bir kişiye tamir ettirin. Bu elektrikli alet, ilgili güvenlik kurallarına uygundur. Onarımlar yalnızca orijinal yedek parçalar kullanılarak nitelikli kişiler tarafından yapılmalıdır; aksi takdirde kullanıcı için önemli tehlikeler oluşabilir.

A GÖNYE TESTERELERİ İÇİN GÜVENLİK TALİMATLARI

İş parçasını daima güvenli ve emniyetli bir şekilde kelepçeleysin. Daima makinenin durduğu yerin güvenli olmasını sağlayın (örneğin bir banka tutturun).

Koruyucu kulaklık kullanın. Gürültü etkisi işitme kaybını etkiler.

Makinada çalışırken devamlı surette testere koruyucu gözlük takın. Bıçakları ve kaba malzemeyi tutmak için eldiven giymenin yanı sıra ayakları da kesme alanından düşebilecek iş parçalarına karşı koruyan sağlam, kaymaz ayakkabı giymeniz önerilir.

Makine üzerinde ayar, bakım veya temizlik yapmadan önce fişi veya pil paketini daima çıkarın.

Pil paketini takmadan veya çıkarmadan önce makinenin kapalı olduğundan emin olun.

Makinenin önünde testere bıçağıyla aynı hizada durmayın.

Daima testere bıçağının yan tarafında durun.

El, parmak ve kollarınızı dönen testere bıçağından uzak tutun.

Bıçak tamamen durmadıkça, bıçağın kenarındaki bölgelere kesinlikle uzanmayın.

Kullanmadan önce, aleti herhangi bir hasar veya malzeme yorgunluğuna karşı iyice kontrol edin. Hasarları parçaları sadece bir uzmana tamir ettiriniz.

Aletin koruyucu donanımını mutlaka kullanın. Korkuluklar yerinde değilse ve doğru çalışmıyorsa, makineyi kullanmayın.

Hareketli koruyucu kapakı açık pozisyonda sıkımayın.

İşlenecek parçanın ya da bıçağın sıkışması halinde, gönye testeresini durdurun. Bütün hareketli parçaların durmasını bekleyin ve fişi güç kaynağından çekin ve/veya pil paketini çıkarın. Sonra da sıkışan maddeyi kurtarmaya çalışın.

Testereyi veya işlevini asla değiştirmeyin. Güvenliğiniz açısından tehlikeli olabilir.

Kırık, hasarlı veya deforme olmuş testere bıçaklarını kullanmayın. Seri çalışma çeliğinden mamul bıçık levhaları kullanmayın.

Çatlak, hasarlı veya deforme olmuş testere bıçaklarını kullanmayın. Kör bıçakları yenisiyle değiştirin.

Testere bıçağını tutarken bıçak tutucu kullanın veya eldiven takın.

Daima doğru büyüklükte ve biçimi bağlama flanşına uygun testere bıçakları kullanın.

Testerenin montaj parçalarına uymayan testere bıçaklar, balanssız çalışır ve aletin kontrol dışına çıkma olasılığını artırır.

Sadece bu kılavuzda belirtilen, EN 847-1 ile uyumlu ahşap bıçakları kullanın.

Testere bıçağını güvenceye almak için tedarik edilenler ya da kullanma kılavuzunda belirtilenler dışında herhangi bir flanş, pul ve somun kullanmayın.

Bıçkı levhası üzerinde yazılı maksimum devir sayısı dikkate alınacaktır.

Kesilecek malzeme için uygun bıçkı levhası seçin.

Gönye testeresini kesinlikle bu kılavuzun "amacına uygun kullanım" bölümünde belirtilenlerin dışındaki malzemeleri kesmek için kullanmayın.

Aşınmış veya hasar görmüş masa tablasını değiştirin.

Bıçakların konumunu, korkulukların diğer makine parçalarına göre çalışmasını ve iş parçasını kontrol etmek için işe başlamadan önce, motor açılmadan deneme kesimi yapın.

Makine çalışırken ve testere kafası sakın bir şekilde durmuyorken, testere artıklarını ve testere sahasının tezgâhlarındaki diğer parçaları kaldırmayın.

Makineyi taşırken testere nakliye araçlarını kullanın ve tutmak veya taşımak için korkulukları asla kullanmayın.

Başlıklı bıçkı makinesini, sadece elle tutulacak yerindeki emniyetli ve nakil dayanıklı tertibat ile nakledin.

Üzerinde taşırken artıkları bulunan zemini, örneğin talaş ve testere atıkları, boş bulundurun.

Destekleme için uzun tezgah sopası uygundur.

Yuvarlak veya düzensiz olmayan enine kesitli malzemeler (örneğin yancı odunlar) testere ile kesilemez, zira bunlar testere ile kesilirken güvenli bir şekilde tutulamaz. Düz malzemelerin yüksek



Tür

kenarları testere ile kesilirken güvenli bir şekilde sevk ve idare edilebilmeleri amacıyla uygun bir yardımcı vuruş kullanın. Tahtalar uzun süre işlenirken veya sağlığa zararlı toz çıkaran malzemeler profesyonel olarak işlenirken alet uygun bir toz emme donanımına bağlanmak zorundadır. Profesyonel kullanıcılar diğer malzemelere ilişkin hükümleri yetkili meslek kuruluşu ile açıklığa kavuşturmak zorundadır.

Ahşap keserken testereyi bir elektrikli süpürgeye bağlayın. LED'i veya lazeri farklı bir tiple değiştirmeyin. Onarımlar yalnızca üretici veya yetkili servis tarafından yapılmalıdır. Tanıtım verileri bu kullanım kılavuzunda belirtilmemiş tertere bıçaklarını kullanmayın.

Takımların uygun bir kap içinde taşınması ve saklanması gerekir. Emniyet tertibatı veya bıçkı levhaları da dahil olmak üzere makine testereyi kullanırken hatalar, emniyet önlemleri için sorumlu kişiye bildirilecektir.

Gönye, eğri ya da bileşik gönye kesme sırasında doğru bıçak mesafesini sağlamak için sürgülü kılavuzu ayarlayın. Besleme hızını ayarlayarak testere diski dişlerinin aşırı ısınmasını ve plastik keserken malzemenin erimesini önleyiniz.

UYARI LED lambasını başkasıyla değiştirmeyiniz.

AHŞAP KESME BİÇAĞI GÜVENLİĞİNİZ İÇİN TALİMATLAR

Testere bıçağı ve makineyi kullanmadan önce kılavuzu ve talimatları dikkatle okuyun.

Makine iyi bir durumda, mil deformasyonsuz ve titreşimsiz olmalıdır.

Testereyi korkuluklar yerinde değilken kullanmayın, korkulukları iyi çalışır durumda ve bakımlı bir şekilde tutun.

Operatörün güvenlik önlemleri, ayarlamaları ve makinenin çalışması konularında yeterince eğitim almış olduğundan emin olun.

Makineyi kullanırken daima gözlük ve kulak koruyucusu takın. Eldiven, sağlam kaymayan ayakkabı ve önlük takmanız önerilir.

Herhangi bir aksesuarı kullanmadan önce kullanma kılavuzuna bakın. Aksesuarın yanlış kullanılması hasara neden olabilir ve yaralanma olasılığını artırabilir.

Sadece bu kılavuzda belirtilen, EN 847-1 ile uyumlu ahşap bıçakları kullanın.

Testere bıçağında belirtilen maksimum hızı dikkat edin. Testere bıçağında belirtilen hızın, testere üzerinde belirtilen hızın azından eşit olduğundan emin olun.

Daima doğru büyüklükte ve biçimi bağlama flanşına uygun testere bıçakları kullanın.

Testerenin montaj parçalarına uymayan testere bıçaklar, balanssız çalışır ve aletin kontrol dışına çıkma olasılığını artırır.

Önerilenden daha büyük veya daha küçük çaplı bıçakları kullanmayın. Bıçağı mil üzerine oturtmak için herhangi bir ara parçası kullanmayın.

Her kullanım öncesinde testere bıçağı uçlarının hasarlı veya anormal görünüşe sahip olup olmadığını kontrol edin. Hasarlı veya gevşek uçlar kullanım esnasında fırlayabilir ve kişisel yaralanma olasılığını artırabilir.

Çatlamış ve deforme olmuş testere bıçaklarını kullanmayın! Hasarlı veya şekli bozulmuş testere levhalarını kullanmayın.

Hasar görmüş, deforme olmuş, çarpık veya kırık testere bıçaklarını hurdaya ayırın; onarıma izin verilmez.

Seri çalışma çeliğinden mamul bıçkı levhaları kullanmayın.

Testere bıçağının doğru bir şekilde monte edildiğinden emin olun, kullanmadan önce mil somununu iyice sıkın (sıkma torku yaklaşık 12 Nm).

Tespit vidası ve somunlar uygun bir anahtar vs. yardımcıyla sıkılmalıdır.

Anahtarın genişletilmesine veya çekiç darbeleri ile sıkıştırmaya izin verilmez.

Bıçak ve flanşların temiz, bileziğin girintili kenarlarının bıçağa karşı olduğundan emin olun.

Bıçağın doğru yönde döndüğünden emin olun.

Bıçakların konumunu, korkulukların diğer makine parçalarına göre çalışmasını ve iş parçasını kontrol etmek için işe başlamadan önce, motor açılmadan deneme kesimi yapın.

Makineyi asla gözetimsiz bırakmayın.

Çalışırken bıçağa yağlayıcı uygulamayın.

Makine çalışırken ve kafa hareketsiz konumunda değilken asla temizlik veya bakım çalışmaları yapmayın.

Makineyi asla bıçağa bir aleti veya başka araçları sıkıştırarak hızlı bir şekilde durdurmaya çalışmayın; istemeden ciddi kazalara neden olunabilir.

Bıçakları değiştirmeden veya bakım yapmadan önce testerenin fişini prizden çekin veya pil paketini çıkarın.

Bıçağı ambalajından çıkarırken ve ambalajına koyarken dikkat edin, keskin bıçak uçları kolayca yaralayabilir.

Testere bıçağını tutarken bıçak tutucu kullanın veya eldiven takın.

Bıçağı orijinal ambalajında veya başka bir uygun ambalajda tutun, kuru koşullarda saklayın ve bıçağa zarar verebilecek kimyasal maddelerden uzak tutun.

GÜVENLİĞİNİZ İÇİN TALİMATLAR LAZER

Bu testerede kullanılan lazer radyasyonu maksimum <1mW ve 650nm dalga boylarına ve 1 lazer sınıfına sahiptir. Optik aletlerle doğrudan bakmayın. Kurallara uyulmaması ciddi kişisel yaralanmalara neden olabilir.

İşletim esnasında ışına bakmayın.

Lazer ışınına doğrudan başkalarının gözüne yansıtmayın. Ciddi göz hasarına neden olabilir.

Lazeri, başkalarının isteyerek veya istemeden lazer ışınına bakmasına neden olabilecek bir yere yerleştirmeyin.

Lazer ışınına bakmak için optik aletler kullanmayın.

Lazeri çocukların yanında çalıştırmayın veya çocukların lazeri çalıştırmasına izin vermeyin.

Lazer cihazını kendiniz tamir etmeye çalışmayın.

Lazer cihazının herhangi bir parçasını kendiniz değiştirmeye çalışmayın.

Onarımlar yalnızca üretici veya yetkili servis tarafından yapılmalıdır.

UYARI Takılmış bulunan lazer ünitesini başka tip lazer ünitesi ile değiştirmeyin

Lazeri yansıtma yapan yüzeylerin üzerine tutmayın.

Lazer ışınlarına tutmayın. Lazer kuvvetli ışınlar gönderebilir.

KULLANIM

Sürgülü bileşik gönye testeresi, yapıştırılmış kaplama, plastik ve ahşaba benzer malzeme içeren ya da içermeyen masif ve yapıştırılmış ahşabın kesilmesi için tasarlanmıştır.

Sürgülü bileşik gönye testeresinin yalnızca kullanma kılavuzunu okumuş, risk ve tehlikeleri anlamış yetişkin operatörler tarafından kullanılmasına amaçlanmıştır.

Sürgülü bileşik gönye testeresi, sağlam bir tezgâh üzerine tabandan sabitlenmesi için tasarlanmıştır. Taban sıkıca sabitlenmezse, kesme işlemleri sırasında bütün makine hareket edebilir, bu da ciddi kişisel yaralanma olasılığını artırır.

Sürgülü bileşik gönye testeresi, eğri ve gönyeli kesimler yapmak için tasarlanmıştır. Farklı kesimlere ilişkin kapasiteler, bu kılavuzdaki ürün özelliklerinde belirtilmiştir.

Sürgülü bileşik gönye testeresi mükemmel ortam aydınlatmasına ve yeterli havalandırma sahne, kuru koşullarda kullanılmak üzere tasarlanmıştır.

Sürgülü bileşik gönye testeresi tüketici kullanımına yönelik tasarlanmıştır; yalnızca yukarıda tarif edildiği gibi kullanılmalı ve başka herhangi bir amaç için kullanılmamalıdır.

KALAN TEHLİKELER

Sürgülü bileşik gönye testeresi tarif edildiği gibi kullanıldığında bile, bazı kalıntı risk faktörlerini tamamen ortadan kaldırmak imkansızdır. Aşağıdaki tehlikeler ortaya çıkabilir ve operatör bunlardan kaçınmak için özel dikkat göstermelidir:

- Dönen testere bıçağının kapatılmamış parçaları ile temas riski.
- Yanlış ayar veya tutma nedeniyle iş parçalarının veya iş parçası parçalarının geri tepmesi.
- Hatalı karbür uçlarının testere bıçağından fırlaması. Daima göz koruyucu takın.
- Solunum sisteminde hasar. Üzerinde çalışılan malzemelere uygun filtreler içeren solunum koruyucu maskeler takın. Çalışma yerinin yeterince havalandırması sağlansın. Çalışma alanında yemek yemeyin, içecek veya sigara içmeyin.
- Kulak koruyucu takılmadysa, işitmede hasar görülebilir.

UYARI Bazı boya, kaplama ve malzemelerdeki tozlar, tahrişe veya alerjik reaksiyonlara neden olabilir. Meşe, kayın, MDF vb. ahşapların tozları kanserojendir. Asbest içeren malzemeler yalnızca nitelikli uzman operatörler tarafından işlenmelidir.

UYARI Bir aletin uzun süre kullanılmasıyla otürü yaralanmalar ortaya çıkabilir veya şiddetlenebilir. Bir aleti uzun süre kullanırken, düzenli molalar verdiğinizden emin olun.

AKÜ

Uzun süre kullanım dışı kalmış kartuş aküleri kullanmadan önce şarj edin.

50°C üzerindeki sıcaklıklar kartuş akünün performansını düşürür. Akünün güneş ışığı veya mekân sıcaklığı altında uzun süre ısınmasına dikkat edin.

Şarj cihazı ve kartuş aküdeki bağlantı noktalarını temiz tutun.

Akünün ömrünün mükemmel bir şekilde uzun olması için kullandıktan sonra tamamen doldurulması gerekir.

Ömrünün mümkün olduğu kadar uzun olması için akülerin yüklemeye yapıldıktan sonra doldurma cihazından uzaklaştırılması gerekir.

Akünün 30 günden daha fazla depolanması halinde: Aküyü takriben 27°C'de kuru olarak depolayın. Aküyü yüklemeye durumunun takriben % 30 - %50 olarak depolayın. Aküyü her 6 ay yeniden doldurun.

Aşırı zorlanma veya aşırı ısınma sonucu hasar gören kartuş akülerden batarya sıvısı dışarı çıkabilir. Batarya sıvısı ile temasa gelen yeri hemen bol su ve sabunla yıkayın. Batarya sıvısı gözünüze kaçacak olursa en azından 10 dakika yıkayın ve zaman geçirmeden bir hekime başvurun.

Kartuş aküleri metal parça veya eşyalarla birlikte saklamayın (kısa devre tehlikesi).

Kullanılmış kartuş aküleri ateşe veya çöplerine atmayın. AEG, kartuş akülerin çevreye zarar vermeyecek biçimde taşıyıcı

edilmesine olanak sağlayan hizmet sunar; lütfen bu konuda yetkili satıcınızdan bilgi alın.

PİL VE ŞARJ CİHAZI

Uyumlu pil paketi (dâhil değil): System GBS

Uyumlu şarj aleti(dâhil değil): System GBS

C18 sistemli kartuş aküleri sadece GBS sistemli şarj cihazları ile şarj edin. Başka sistemli aküleri şarj etmeyin.

LİTYUM İYON PİLLERİN TAŞINMASI

Lityum iyon piller tehlikeli madde taşımacılığı hakkındaki yasal hükümler tabidir.

Bu piller, bölgesel, ulusal ve uluslararası yönetmeliklere ve hükümlere uyularak taşınmak zorundadır.

Tüketiciler bu pilleri herhangi bir özel şart aranmaksızın karayoluyla taşıyabilirler.

Lityum iyon pillerin nakliye şirketleri tarafından ticari taşımacılığı için tehlikeli madde taşımacılığının hükümleri geçerlidir. Sevk hazırlığı ve taşıma sadece ilgili eğitimi görmüş personel tarafından gerçekleştirilebilir. Bütün süreç uzmanca bir refakatçilik altında gerçekleştirilmek zorundadır.

Pillerin taşınması sırasında aşağıdaki hususlara dikkat edilmesi gerekmektedir:

Kısa devre oluşmasını önlemek için kontakların korunmuş ve izole edilmiş olması sağlansın. PİL paketinin ambalajı içinde kaymamasına dikkat ediniz. Hasarlı veya akmış pillerin taşınması yasaktır. Ayrıca bilgiler için nakliye şirketinize başvurunuz.

AKÜNÜN AŞIRI YÜKLENMEYE KARŞI KORUNMASI

Pek fazla elektrik tüketiminden dolayı, örneğin aşırı fazla devir momentleri, aniden durma veya kısa devre gibi aküye aşırı yüklenme durumunda elektro cihazı 5 saniye titreşir, yüklem göstergesi yanıp söner ve elektro cihaz kendiliğinden durur. Yeniden çalıştırmak için şalter baskısını serbest bırakın ve bundan sonra tekrar çalıştırın.

Akü aşırı yüklenmeden dolayı fazla ısınır. Bu durumda akü soğuyana kadar yüklem göstergesinin bütün lambaları yanıp söner. Gösterge lambalarının sönmelerinden sonra tekrar çalışmaya devam edilebilir.

Aküyü tekrar doldurmak ve aktif hale getirmek amacı ile şarj bağlayın.

BAKIM

Bu testereyi herhangi bir şekilde değiştirmeyin veya üretici tarafından onaylanmamış aksesuarları kullanmayın. Sizin ve başkalarının güvenliği açısından tehlikeli olabilir.

Bu testerenin herhangi bir anahtarı, korkuluğu veya başka bir işlevi amaçlandığı gibi çalışmıyorsa, testereyi kullanmayın. Profesyonel onarım veya ayarlama için yetkili bir servis merkezine danışın.

Testere bıçağı hareket halindeyken herhangi bir ayar yapmayın. Ayarlamadan, yağlamadan veya makinenin bakımını yapmadan önce pil paketini çıkarın.

Her kullanımı öncesinde ve sonrasında, testerede hasar veya kırık parça olup olmadığını kontrol edin ve parçaları üreticinin onayladığı yedek parçalarla derhal değiştirerek testereyi en üst düzeyde çalışma koşullarında tutun.

Bıçak kullanıldıktan sonra oldukça ısınır; bakım veya temizlik prosedürlerinden önce eldiven giyin veya bıçağı soğumaya bırakın.

Biriken tozu bir fırça veya elektrikli süpürge ile temizleyin. Basınçlı hava kullanmayın.

Güvenlik ve güvenilirliği sağlamak için, fırça değişikliği dâhil olmak üzere tüm onarımlar yetkili bir servis merkezi tarafından yapılmalıdır.

Testere bıçağını takmadan veya çıkarmadan önce aletin fişini güç kaynağından çektiğinizden emin olun.

Cihazı ve koruyucu tertibatı kuru bir bezle temizleyiniz.

Aletin havalandırma aralıklarını daima temiz tutun.

YEDEK PARÇALAR

Sadece AEG aksesuarını ve yedek parçalarını kullanın. Değiştirilmesi açıklanmamış olan parçaları bir AEG müşteri servisinde değiştirin (Garanti broşürüne ve müşteri servisi adreslerine dikkat edin).

Gerektiği takdirde aletin dağıtım görünüş şeması, alet tipinin ve tip etiketi üzerindeki sayının bildirilmesi koşuluyla müşteri servisinden veya doğrudan Techtronic Industries GmbH, Max-Eyth-Straße 10, 71364 Winnenden, Germany adresinden istenebilir.

CE UYGUNLUK BEYANI

"Teknik veriler" başlığı altında tanımlanan ürünün, sayılı direktiflerdeki tüm hükümleri

2011/65/EU

2006/42/EC

2014/30/EU

uyumlaştırılmış standartları

EN 61029-1:2009 + A11:2010

EN 61029-2-9:2012 + A11:2013

EN 55014-1:2006+A1:2009+A2:2011

EN 55014-2: 1997+A1:2001+A2:2008

EN 50581:2012



Winnenden, 2016-12-02

Alexander Krug

Alexander Krug / Managing Director
Teknik evrakları hazırlamakla görevlendirilmiştir.

Techtronic Industries GmbH
Max-Eyth-Straße 10, 71364 Winnenden, Germany

SEMBOLLER



DİKKAT! UYARI! TEHLİKE!



Aletin kendinde bir çalışma yapmadan önce kartuş aküyü çıkarın.



Lütfen aleti çalıştırmadan önce kullanma kılavuzunu dikkatli biçimde okuyun.



Aletle çalışırken daima koruyucu gözlük kullanın.



Koruyucu kulaklık kullanın!



Koruyucu eldivenlerinizi takınız!



Açık Vida / Dönme yönü



Elinizi hiçbir zaman testere levhasına doğru tutmayın.



Bu alet sadece kapalı mekânlarda kullanılmaya uygundur, yağmur altında bırakmayın



Lazer ışınına bakmayın.



This product corresponds to the laser class 1 in accordance with EN 60825-1:2014.



Testere bıçağı çapı x delik çapı



Dönme yönü



bıçak dişleri



Kesme genişliği



Elektrikli cihazların evsel atıklarla birlikte bertaraf edilmesi yasaktır. Elektrikli ve elektronik cihazlar ayrılarak biriktirilmeli ve çevreye zarar vermeden bertaraf edilmeleri için bir atık değerlendirme tesisine götürülmelidirler. Yerel makamlara veya satıcınıza geri dönüşüm tesisleri ve atık toplama merkezlerinin yerlerini danışınız.



CE işareti



UkrSEPRO Uyumluluk işareti



EurAsian Uyumluluk işareti

Türkçe

TECHNICKÁ DATA Pokosové pily *	BPS18-254BL
Výrobní číslo	4601 74 01... ... 000001-999999
Napětí výměnného akumulátoru	18 V
Volnoběžné otáčky	3900 min ⁻¹
Pilový kotouč ø x díra ø	254 x 30 mm
Tloušťka čepele těla pily	1,6 mm
Tloušťka čepele zubů pily	2,2 mm
Max. střížný výkon Pokos 0° / naklonění 0° Pokos 0° / naklonění 45° ↘ Pokos 0° / naklonění 45° ↙ Pokos ↘ 45° / naklonění 0° Pokos ↙ 45° / naklonění 0° Pokos 45° / naklonění 45° ↘ Pokos 45° / naklonění 45° ↙	90 mm x 305 mm 39 mm x 305 mm 43 mm x 305 mm 90 mm x 215 mm 50 mm x 215 mm 39 mm x 215 mm 43 mm x 215 mm
Min. rozměry obrobku	215 x 35 x 2,5 mm
Hmotnost podle prováděcího předpisu EPTA 01/2003 (Li-Ion 5.0 Ah)	16,3 kg
Informace o hluku Naměřené hodnoty odpovídají EN 61029. V třídě A posuzovaná hladina hluku přístroje činí typicky: Hladina akustického tlaku (Kolísavost K=3dB(A)) Hladina akustického výkonu (Kolísavost K=3dB(A))	89,0 dB (A) 98,5 dB (A)
Používejte chrániče sluchu ! Informace o vibracích Celkové hodnoty vibrací (vektorový součet tří směrů) zjištěnéve smyslu EN 61029. Řezání dřeva: Hodnota vibračních emisí a _h Kolísavost K=	1,1 m/s ² 1,5 m/s ²

* PS ≙ Pokosové pily

VAROVÁNÍ!

Úroveň chvění uvedená v tomto návodu byla naměřena podle metody měření stanovené normou EN 61029 a může být použita pro porovnání elektrického nářadí. Hodí se také pro přibližný odhad zatížení chvěním.

Uvedená úroveň chvění představuje hlavní účely použití elektrického nářadí. Jestliže se ale elektrické nářadí používá pro jiné účely, s odlišnými nástroji nebo s nedostatečnou údržbou, může se úroveň chvění odlišovat. To může značně zvýšit zatížení chvěním během celé pracovní doby.

Pro přesný odhad zatížení chvěním se musí také zohlednit časy, během kterých je přístroj vypnutý nebo kdy je sice v chodu, ale skutečně se s ním nepracuje. To může zatížení chvěním během celé pracovní doby značně snížit.

Stanovte doplňková bezpečnostní opatření pro ochranu obsluhy před účinky chvění jako například: technická údržba elektrického nářadí a nástrojů, udržování teploty rukou, organizace pracovních procesů.

⚠ VAROVÁNÍ Seznamte se se všemi bezpečnostními pokyny a sice i s pokyny. Zanedbání při dodržování varovných upozornění a pokynů mohou mít za následek úder elektrickým proudem, požár a ebo těžká poranění.

Všechna varovná upozornění a pokyny do budoucna uschvejte.

OBECNÉ BEZPEČNOSTNÍ POKYNY

⚠ VAROVÁNÍ

Při používání elektrického nářadí je třeba kvůli ochraně před zásahem elektrickým proudem, nebezpečím poranění a nebezpečím vzniku požáru dodržovat následující zásadní bezpečnostní opatření. Dřív než elektrické nářadí použijete, přečtete si všechny tyto pokyny a příslušné bezpečnostní pokyny si dobře uschovejte.

Udržujte pracovní prostor čistý. Neuklizená pracovní místa a obráběcí stoly zvyšují riziko nehod a poranění.

Berte ohled na okolí pracovního prostoru. Přístroj nevystavujte dešti a nepoužívejte v mokřem či vlhkém prostředí. Udržujte pracovní prostor dobře osvětlený. Nepoužívejte nástroje v přítomnosti hořlavých kapalin nebo plynů.

Chraňte se před zásahem elektrickým proudem. Zamezte kontaktu těla s uzemněnými částmi, jako například trubkami, radiátory, sporáky nebo chladničkami.

Jiné osoby držte pryč mimo prostor. Nedovolte osobám, zejména dětem, které se nepodílejí na práci, aby se dotýkaly nástroje nebo prodlužovacího kabelu a udržujte je pryč mimo pracovní prostor.

Uskladněte nástroje, které se nepoužívají. Nářadí, které se nepoužívá, musí být uloženo na suchém, podle možnosti vysoko položeném místě, mimo dosah dětí nebo musí být nedostupně uskladněné.

Přístroj nepřetěžujte. Pro danou práci použijte vhodný elektrický přístroj. S vhodným elektrickým přístrojem se pracuje lépe a bezpečněji v uvedeném rozsahu výkonu.

Používejte správný nástroj. Nepoužívejte malé nástroje na výkon prací určených nástrojům na velké namáhání. Elektrické nářadí nepoužívejte k účelům, pro které není určeno. Např.



Čes

ruční kotoučovou pilu nepoužívejte na řezání větví stromů nebo dřevěných polen.

Noste vhodný oděv. Nenoste široký oděv a šperky.

Vlasy, oděv a rukavice držte v bezpečné vzdálenosti od pohyblivých částí. Při pracích ve venkovním prostředí vám doporučujeme používat pracovní obuv, která neklouže. Pokud máte dlouhé vlasy, noste síťku na vlasy.

Používejte ochranné pomůcky. Používejte ochranné brýle.

Používejte masku na obličej nebo masku proti prachu, pokud pracovní procesy vytvářejí prach.

Vždy připojte odsávání prachu. Pokud lze namontovat odsávače a lapače prachu, ujistěte se, že jsou tyto připojeny a správně používány.

Kabel nepoužívejte v rozporu s určením. Nikdy neškubejte kabelem, abyste jej odpojili ze zásuvky. Udržujte kabel mimo tepla, oleje a ostrých hran.

Obrobek zajistěte. Na pevné přichycení obrobku použijte upínací zařízení nebo svěrák. Tímto způsobem bude bezpečněji upevněný než jen pomocí ruky.

Nenaklánějte se příliš a stále udržujte rovnováhu.

Uchovávejte nástroje s péčí. Rezné nástroje udržujte ostré a čisté pro lepší a bezpečnější výkon. Řiďte se pokyny k mazání a k vyměně nástroje. Pravidelně kontrolujte přípojovací kabel elektrického nářadí a v případě poškození jej nechte vyměnit od autorizovaného odborníka. Pravidelně kontrolujte prodlužovací kabely a pokud jsou poškozené, vyměňte je. Rukojetě udržujte suché, čisté a bez oleje a maziv.

Odpojte nástroje. Když se nepoužívají, před prováděním údržby a při výměně příslušenství, jako jsou kotouče, hroty a rezné části, odpojte nástroje od zdroje napájení.

Odstraňte nastavovací klíče. Zvykněte si zkontrolovat, že klíče a nastavovací klíče jsou odstraněny z funkce před jeho zapnutím.

Zabraňte náhodnému uvedení do provozu. Zajistěte, aby byl spínač při instalaci akumulátoru v poloze „vypnuto“.

Používejte venkovní prodlužovací kabely. Když s elektrickým nářadím pracujete venku, používejte pouze prodlužovací kabely, které jsou schválené i pro venkovní prostředí a jsou adekvátně označené.

Zůstaňte ve střehu. Sledujte, co děláte, používejte zdravý rozum a nepřeručte s nástrojem, když jste unaveni.

Před použitím důkladně zkontrolujte nástroj ohledně jakéhokoliv poškození nebo únavy materiálu. Zkontrolujte nastavení pohyblivých částí, spojení pohyblivých částí, poškození dílů, montáž a jakékoli další okolnosti, které by mohly ovlivnit jeho provoz.

Nepoužívejte zařízení, pokud ochranné kryty nejsou na svém místě a nefungují správně.

Poškození nechte okamžitě opravit v autorizované speciální dílně. Nepoužívejte nástroj, pokud ho spínač nezapíná a nevypíná.

VAROVÁNÍ Použití jakéhokoliv příslušenství nebo přídavného zařízení, jiného než je doporučeno v tomto návodu k obsluze, může představovat riziko zranění osob.

Elektrické nářadí nechte opravovat od odborného

elektrikáře. Toto elektrické nářadí odpovídá příslušným bezpečnostním ustanovením. Opravy smí provádět pouze odborný elektrikář tak, že budou použity originální náhradní díly; v opačném případě mohou pro uživatele vzniknout rizika.

BEZPEČNOSTNÍ INSTRUKCE PRO POKOSOVÉ PILY

Vždy upněte obrobek bezpečně.

Zajistěte stabilní polohu stroje (například upevněním na pracovní stůl).

Používejte chrániče sluchu. Nadměrný hluk může vést ke ztrátě sluchu.

Při práci s elektrickým nářadím používejte vždy ochranné brýle. Doporučuje se používat rukavice pro manipulaci s kotouči a hrubým materiálem, stejně jako odolnou protiskluzovou obuv, která také chrání nohy před obrobky, které mohou spadnout z prostoru řezání.

Před realizací jakéhokoliv nastavení, údržby nebo čištění na zařízení vždy vytáhněte zástrčku nebo akumulátor.

Zajistěte, aby bylo zařízení vypnuto před vložením nebo vyjmutím akumulátoru.

Nestůjte v jedné linii s pilovým kotoučem v přední části zařízení.

Vždy stůjte stranou od pilového kotouče.

Udržujte ruce, prsty a ramena pryč od rotujícího pilového kotouče.

Nikdy nesahajte do oblasti v blízkosti kotouče, dokud se kotouč úplně nezastaví.

Před použitím důkladně zkontrolujte nástroj ohledně jakéhokoliv poškození nebo únavy materiálu. Poškozené díly nechte opravit u odborníka.

Bezpodmínečně používat ochranná zařízení přímočaré pily.

Nepoužívejte zařízení, pokud ochranné kryty nejsou na svém místě a nefungují správně.

Pohyblivé ochranné prvky se nesmí aretovat v otevřené pozici.

Pokud zpracovávaný kus nebo čepel uvízne, vypněte pilu. Vyčkejte, dokud se všechny pohyblivé části úplně nezastaví a odpojte zástrčku od zdroje napájení/nebo vyjměte akumulátor. Poté můžete uvolnit zpríčený materiál.

Nikdy nemodifikujte ani neupravujte pilu ani její funkci. Může být ohrožena vaše bezpečnost.

Nepoužívejte pilové kotouče, které jsou prasklé, poškozené nebo deformované.

Nepoužívejte pilové listy vyrobené z rychlořezné oceli

Používejte pouze pilové kotouče, které jsou ostré. Vyměňte tupé kotouče za novou náhradu.

Při manipulaci s pilovým kotoučem používejte držák kotouče nebo noste rukavice.

Používejte vždy pilové kotouče ve správné velikosti a s vhodným upínacím otvorem.

Pilové kotouče, jež se nehodí k montážním dílům pily, běží nekruhově a vedou ke ztrátě kontroly.

Používejte pouze dřevoobráběcí kotouče specifikované v tomto návodu, které splňují požadavky normy EN 847-1.

Nepoužívejte jakékoli příruby, podložky ani matice k zajištění pilového kotouče, pouze ty, které byly dodány nebo uvedeny v návodu k obsluze.

Dodržujte maximální počet otáček uvedený na pilovém listu.

Vyberte pilový list vhodný k řezání vybraného materiálu

Nikdy nepoužívejte pokosovou pilu na řezání materiálů jiných než jsou uvedeny v odstavci zamýšleného použití v tomto návodu.

Vyměňte stolovou vložku, když je opotřebená nebo poškozená.

Před zahájením prací proveďte zkušební řez bez zapnutého motoru tak, abyste mohli zkontrolovat polohu kotouče, činnost ochranných krytů s ohledem na ostatní části zařízení a obrobek.

Neodstraňujte odřezky a jiné zbytky materiálu z řezného prostoru dokud pila běží a řezná hlava je v pohybu.

Při přepravě zařízení používejte pouze dopravní zařízení a nikdy nepoužívejte ochranné kryty na manipulaci nebo přepravu.

Kapovací pilu přepravujte vždy jen s aretovanou přepravní pojistkou v rucejeti.

Udržujte čistou a pravidelně zametajte piliny a odřezky.

Dlouhé obrobky vhodným způsobem podepřete.

Řezivo s kruhovým nebo nepravidelným průřezem (např. palivové dříví) se nesmí řezat, protože je nelze bezpečně fixovat. Při řezání plochého materiálu na výšku se k bezpečnému vedení musí používat vhodná pomocná zarážka.

Prach vznikající při práci bývá zdraví škodlivý, a proto by se neměly dýchávat. Používejte odsávání prachu a navíc se chraňte vhodnou ochrannou maskou. Usazený prach dobře odstraňte, např. odsáním.

Při řezání dřeva připojte pilu k vysavači.

Nevyměňujte LED ani laser za jiný typ. Veškeré opravy musí být prováděny pouze výrobcem nebo autorizovaným servisním technikem.

Pilové kotouče, které neodpovídají požadavkům podle tohoto návodu se nesmí používat.

Nářadí se musí přepravovat a přechovávat ve vhodné schránce.

Závady na stroji, ochranném zařízení nebo pilových listech musí být ihned po zjištění nahlášený osobě zodpovědné za bezpečnost.

Při provádění pokosu, úkosu nebo složených pokosových řezů nastavte posuvnou tyč pro zajištění správné vzdálenosti od čepule.

Pomocí přiměřené rychlosti posuvu zabraňte přehřátí zubů pilového listu a při řezání plastů také tavení materiálu.

VAROVÁNÍ LED diodu nevyměňujte za jinou.

KOTOUČ NA ŘEZÁNÍ DŘEVA SPECIÁLNÍ BEZPEČNOSTNÍ UPOZORNĚNÍ

Před použitím pilového kotouče a zařízení si pozorně přečtěte návod a instrukce.

Zařízení musí být v dobrém stavu, hřídel bez deformací a vibrací.

Nepoužívejte pilu bez ochranných krytů v určené pozici, udržujte ochranné kryty v dobrém provozním stavu a řádně o ně pečujte.

Zajistěte, aby byl operátor dostatečně vyškolen ohledně bezpečnostních opatření, nastavení a provozu zařízení.

Při používání zařízení vždy noste ochranné brýle a ochranu sluchu. Doporučuje se nosit rukavice, odolnou protiskluzovou obuv a zástěru.

Před použitím jakéhokoli příslušenství nahlédněte do návodu k obsluze. Nesprávné použití příslušenství může zapříčinit poškození a zvýšit možnost zranění.

Používejte pouze kotouče specifikované v tomto návodu, které splňují požadavky normy EN 847-1.

Dodržujte maximální rychlost vyznačenou na pilovém kotouči. Zajistěte, aby byla rychlost vyznačena na pilovém kotouči přinejmenším rovná rychlosti vyznačené na pile.

Používejte vždy pilové kotouče ve správné velikosti a s vhodným upínacím otvorem.

Pilové kotouče, jež se nehodí k montážním dílům pily, běží nekruhově a vedou ke ztrátě kontroly.

Nepoužívejte kotouče větších ani menších průměrů, než je doporučeno. Nepoužívejte žádné rozpěrky, aby kotouč zapadl do hřídele.

Před každým použitím zkontrolujte hroty pilového kotouče ohledně poškození nebo neobvyklého vzhledu. Hroty, které jsou poškozené nebo uvolněné, se mohou stát při používání létajícími objekty a zvýšit tak šanci na zranění osob.

Popraskané nebo zdeformované pilové listy nesmí být používány! Nepoužívejte poškozené nebo deformované pilové listy.

Vyřadte pilové kotouč v případě poškození, deformace, zkřivení nebo prasknutí, oprava není povolena.

Nepoužívejte pilové listy vyrobené z rychlořezné oceli

Zajistěte, aby byl pilový kotouč správně namontován, před použitím bezpečně utáhněte matici hřídele (utahovací moment cca. 12 Nm).

Upevňovací šroub a matice musí být utaženy pomocí příslušného šroubového klíče, atd.

Nástavec klíče ani utahování pomocí úderů kladiva nejsou povoleny.

Ujistěte se, že kotouč a příruby jsou čisté a zapuštěné strany nákrůžku jsou proti kotouči.

Ujistěte se, že kotouč se otáčí ve správném směru.

Před zahájením prací proveďte zkušební řez bez zapnutého motoru tak, abyste mohli zkontrolovat polohu kotouče, činnost ochranných krytů s ohledem na ostatní části zařízení a obrobek.

Nikdy nenechávejte zařízení bez dozoru.

Neaplikujte žádné mazivo na kotouč, když je v chodu.

Nikdy neprovádějte čistící ani údržbové práce, když je zařízení stále v chodu a hlava není v klidové poloze.

Nikdy se nepokoušejte zastavit zařízení v pohybu rychle zablokováním nástroje nebo jiných prostředků proti kotouči, tímto způsobem by mohlo neúmyslně dojít k vážným nehodám.

Odpojte pilu od elektrické sítě nebo vyjměte akumulátor před výměnou kotouče nebo prováděním údržby.

Věnujte pozornost balení a vybalování kotouče, snadno se můžete zranit ostrými hroty kotouče.

Při manipulaci s pilovým kotoučem používejte držák kotouče nebo noste rukavice.

Udržujte a skladujte kotouč v originálním obalu nebo jiném vhodném obalu, udržujte v suchu a pryč od chemických látek, které mohou kotouč poškodit.

SPECIÁLNÍ BEZPEČNOSTNÍ UPOZORNĚNÍ LASER

Laserové záření použité v této pile je Trída 1 s maximem <1mW a 650nm vlnových délek. Nedívejte se přímo pomocí optických přístrojů. Nedodržení pravidel může mít za následek vážné zranění osob.

Nedívejte se do paprsku během provozu.

Nezaměřujte laserový paprsek přímo do očí jiných lidí. Výsledkem by mohlo být vážné poranění očí.

Nedávejte laser do takové polohy, která by mohla způsobit, že lecko by hleděl do laserového paprsku úmyslně nebo neúmyslně.

Nepoužívejte optické nástroje k hledění do laserového paprsku.

Neprovazujte laser v blízkosti dětí ani nedovoďte dětem laser obsluhovat.

Nepokoušejte se opravit laserové zařízení sami.

Nepokoušejte se vyměnit jakékoli části laserového zařízení sami.

Veškeré opravy musí být prováděny pouze výrobcem nebo autorizovaným servisním technikem.



VAROVÁNÍ Nezaměňujte zabudovaný laser za laser jiného typu. Laser nesměřujte na reflexní plochy. Nevystavujte se laserovému záření. Laser může vysílat silné záření.

OBLAST VYUŽITÍ

Pokosová pila je určena pro řezání kompaktního a lepeného dřeva s nebo bez lepených dýh, plastů a materiálů podobných dřevu.

Pokosová pila je určena k používání pouze dospělými osobami, které si přečetli tento návod k obsluze a pochopili rizika a nebezpečí.

Pokosová pila je určena k upevnění na základně k vrchní části pevného pracovního stolu. V případě, že základna není bezpečně upevněna, celé zařízení se může při operacích řezání pohybovat, což zvyšuje možnost vážného zranění osob.

Pokosová pila je určena k provádění zkosení a pokosu. Možnosti různých řezů jsou uvedeny v produktových specifikacích v tomto návodu.

Pokosová pila se má používat v suchých podmínkách, s výborným okolním osvětlením a dostatečným větráním.

Pokosová pila je určena pro spotřebitelské používání a měla by se používat jen tak, jak je popsáno výše, a není určena pro jakýkoli jiný účel.

ZBÝVAJÍCÍ RIZIKA

I když se pokosová pila používá tak, jak je předepsáno, je stále nemožné zcela vyloučit určité faktory zbytkového rizika. Mohou vzniknout následující nebezpečí a provozovatel by měl věnovat zvláštní pozornost, aby se zabránilo následujícím:

- Riziko kontaktu s nekrýtnými částmi rotujícího pilového kotouče.
- Zpětný odraz obrobků nebo částí obrobků v důsledku nesprávného nastavení nebo manipulace.
- Katapultace vadných karbidových hrotů z pilového kotouče. Vždy noste ochranu očí.
- Poškození dýchacích cest. Noste masky na ochranu dýchacích cest obsahující filtry vhodné pro materiály, s nimiž se pracuje. Zajistěte vhodné větrání na pracovišti. Nejezte, nepijte a nekuřte v pracovní oblasti.
- Poškození sluchu, pokud se nepoužívá účinná ochrana sluchu.

VAROVÁNÍ Prach z některých nátěrů, povlaků a materiálů může způsobit podráždění nebo alergické reakce. Prach ze dřeva jako jsou dub, buk, MDF, a jiných je karcinogenní. S materiály obsahujícími azbest by se mělo pracovat, resp. by měly být zpracovávány pouze kvalifikovanými odbornými pracovníky.

VAROVÁNÍ Zranění mohou být způsobena nebo zhoršena dlouhodobým používáním nástroje. Pokud používáte jakýkoli nástroj prodlouženou dobu, zajistěte, abyste dělali pravidelné přestávky.

AKUMULÁTORY

Děle nepoužívané akumulátory je nutné před použitím znovu nabít.

Teplota přes 50°C snižuje výkon akumulátorů. Chraňte před dlouhým přehříváním na slunci či u topení.

Kontakty nabíječky a akumulátoru udržujte v čistotě.

Pro optimální životnost je nutné akumulátory po použití plně dobít.

K zabezpečení dlouhé životnosti by se akumulátory měly po nabíti vyjmout z nabíječky.

Při skladování akumulátoru po dobu delší než 30 dní: Skladujte akumulátor v suchu při cca 27°C. Skladujte akumulátor při cca 30%-50% nabíjecí kapacitě. Opakujte nabíjení akumulátoru každých 6 měsíců.

Při extrémní zátěži či vysoké teplotě může z akumulátoru vytékat kapalina. Při zasažení touto kapalinou okamžitě zasažená místa omyjte vodou a mýdlem. Při zasažení očí okamžitě důkladně po dobu alespoň 10min. omyvat a neodkladně vyhledat lékaře.

Náhradní akumulátor neskladujte s kovovými předměty, nebezpečí zkratu.

Použitě nevyhazujte do domovního odpadu nebo do ohně. AEG nabízí ekologickou likvidaci starých článků, ptejte se u vašeho obchodníka s nářadím.

BATERIE A NABÍJEČKA

Kompatibilní akumulátor (není součástí dodávky): System GBS

Kompatibilní nabíječka (není součástí dodávky): System GBS

Akumulátor systému GBS nabíjejte pouze nabíječkou systému GBS. Nenabíjejte akumulátory jiných systémů.

PŘEPRAVA LITHIUM-IONTOVÝCH BATERIÍ

Lithium-iontové baterie spadají podle zákonných ustanovení pod přepravu nebezpečného nákladu.

Přeprava těchto baterií se musí realizovat s dodržováním lokálních, vnitrostátních a mezinárodních předpisů a ustanovení.

Spotřebitelé mohou tyto baterie bez problémů přepravovat po komunikacích.

Komerční přeprava lithium-iontových baterií prostřednictvím přepravních firem podléhá ustanovením o přepravě nebezpečného nákladu. Přípravu k vyexpedování a samotnou přepravu smejí vykonávat jen příslušně vyškolené osoby. Na celý proces se musí odborně dohlížet.

Při přepravě baterií je třeba dodržovat následující:

Zajistěte, aby kontakty byly chráněné a izolované, aby se zamezilo zkratům. Dávejte pozor na to, aby se svazek baterií v rámci balení nemohl sesmeknout. Poškozené a vyteklé baterie se nesmějí přepravovat. Ohledně dalších informací se obraťte na vaši přepravní firmu.

OCHRANA PROTI PŘETÍŽENÍ AKUMULÁTORU

Při přetížení akumulátoru přilíží vysokou spotřebou proudu, například při extrémně vysokém krouticím momentu, začne elektrické nářadí po dobu 5 sekund vibrovat, indikátor dobíjení začne blikat a motor se následně samočinně vypne.

K opětovnému zapnutí uvolněte a následně opět stiskněte tlačítkový vypínač.

Při extrémním zatížení dochází k přilíží vysokému ohřevu akumulátoru. V tomto případě začnou blikat všechny kontrolky indikátoru dobíjení a blikají tak dlouho, dokud se akumulátor opět neochladí. V okamžiku, kdy indikátor dobíjení přestane blikat, je možné v práci opět pokračovat.

Akumulátor v tomto případě k dobíjení a aktivaci vložte opět do nabíječky.

ÚDRŽBA

Neupravujte tuto pilu žádným způsobem ani nepoužívejte příslušenství, které není schváleno výrobcem. Může být ohrožena vaše bezpečnost a bezpečnost jiných osob.

Nepoužívejte pilu, pokud nějaká přepínače, ochranné kryty nebo jiné funkce této pily nefungují tak, jak je zamýšleno. Vraťte do autorizovaného servisního střediska na profesionální opravu nebo nastavení.

Nedělejte žádné úpravy, když je pilový kotouč v pohybu.

Odstraňte akumulátor před provedením úprav, mazání nebo při provádění jakékoliv údržby na stroji.



Před a po každém použití zkontrolujte pilu ohledně poškození nebo porušených dílů a udržujte ji v optimálním provozním stavu tím, že okamžitě vyměníte díly za náhradní díly schválené výrobcem.

Kotouč je po použití velmi horký, používejte rukavice nebo nechte vychladnout před údržbou nebo čistícími procesy.

Odstraňte nahromaděný prach pomocí kartáče nebo vysavače. Nepoužívejte stlačený vzduch.

Pro zajištění bezpečnosti a spolehlivosti by měly být všechny opravy, včetně výměny kartáčů, prováděny v autorizovaném servisním středisku.

Ujistěte se, že jste pilu odpojily od zdroje napájení před montáží a demontáží pilového kotouče.

Přístroj a ochranný kryt čistěte suchým hadříkem.

Větrací štěrby náradí udržujeme stále čisté.

NÁHRADNÍ DÍLY

Používejte výhradně náhradní díly a příslušenství AEG. Díly, jejichž výměna nebyla popsána, nechávejte vyměnit v odborném servisu AEG. (Viz záruční list.)

Při potřebě podrobného rozkresu konstrukce, oslovte informaci o typu a čísle přímo servis a nebo výrobce, Techtronic Industries GmbH, Max-Eyth-Straße 10, 71364 Winnenden, Germany.

CE-PROHLÁŠENÍ O SHODĚ

Prohlašujeme na naši výhradní odpovědnost, že produkt popsán v části „Technické údaje“ splňuje všechna příslušná ustanovení směrnic

2011/65/EU

2006/42/ES

2014/30/EU

a byly použity následující harmonizované normy

EN 61029-1:2009 + A11:2010

EN 61029-2-9:2012 + A11:2013

EN 55014-1:2006+A1:2009+A2:2011

EN 55014-2: 1997+A1:2001+A2:2008

EN 50581:2012



Winnenden, 2016-12-02

Alexander Krug / Managing Director

Zplnomocněn k sestavování technických podkladů.

Techtronic Industries GmbH

Max-Eyth-Straße 10, 71364 Winnenden, Germany

SYMBOLY



POZOR! VAROVÁNÍ! NEBEZPEČÍ!



Před zahájením veškerých prací na vrtacím šroubováku vyjmout výměnný akumulátor.



Před spuštěním stroje si pečlivě přečtěte návod k používání.



Při práci se strojem neustále nosit ochranné brýle.



Používejte chrániče sluchu!



Používejte ochranné rukavice!



Otevřený šroub / Směr otáčení



Nikdy nedávejte ruce do prostoru pilového listu.



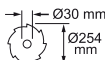
Zařízení lze používat jen ve vnitřních prostorách, nepoužívat v dešti.



Nedívejte se do laserového louče.



This product corresponds to the laser class 1 in accordance with EN 60825-1:2014.



Pilový kotouč ϕ x díra ϕ



Směr otáčení



ostří zuby



Šířka řezu



Elektrické přístroje se nesmí likvidovat společně s odpadem z domácnosti. Elektrické a elektronické přístroje je třeba sbírat odděleně a odevzdat je v recyklačním podniku na ekologickou likvidaci. Na místních úřadech nebo u vašeho specializovaného prodejce se informujte na recyklační podniky a sběrné dvory.



Značka CE



UkrSEPRO značka shody



Euroasijská značka shody



Čes

Česky

TECHNICKÉ ÚDAJE	BPS18-254BL
Ťažná kapovacia píla *	
Výrobné číslo	4601 74 01... ... 000001-999999
Napätie výmenného akumulátora	18 V
Otáčky naprázdno	3900 min ⁻¹
Priemer píloveho listu x priemer diery	254 × 30 mm
Hrúbka tela plátu píly	1,6 mm
Hrúbka zubu plátu píly	2,2 mm
Max. strihový výkon	
Uhly zošíkmenia horizontálne 0°/ Uhly zošíkmenia vertikálne 0°	90 mm × 305 mm
Uhly zošíkmenia horizontálne 0°/ Uhly zošíkmenia vertikálne 45°	39 mm × 305 mm
Uhly zošíkmenia horizontálne 0°/ Uhly zošíkmenia vertikálne 45°	43 mm × 305 mm
Uhly zošíkmenia horizontálne 45°/ Uhly zošíkmenia vertikálne 0°	90 mm × 215 mm
Uhly zošíkmenia horizontálne 45°/ Uhly zošíkmenia vertikálne 0°	50 mm × 215 mm
Uhly zošíkmenia horizontálne 45°/ Uhly zošíkmenia vertikálne 45°	39 mm × 215 mm
Uhly zošíkmenia horizontálne 45°/ Uhly zošíkmenia vertikálne 45°	43 mm × 215 mm
Min. rozmery obrobku	215 × 35 × 2,5 mm
Hmotnosť podľa vykonávacieho predpisu EPTA 01/2003 (Li-Ion 5.0 Ah)	16,3 kg
Informácia o hluku	
Namerané hodnoty určené v súlade s EN 61029. V triede A posudzovaná hladina hluku prístroja činí typicky:	
Hladina akustického tlaku (Kolísavosť K=3dB(A))	89,0 dB (A)
Hladina akustického výkonu (Kolísavosť K=3dB(A))	98,5 dB (A)
Používajte ochranu sluchu!	
Informácie o vibráciách	
Celkové hodnoty vibrácií (vektorový súčet troch smerov) zistených zmysle EN 61029.	
Rezanie dreva: Hodnota vibračných emisií a _h	1,1 m/s ²
Kolísavosť K=	1,5 m/s ²



Slov

* PS $\hat{=}$ Ťažná kapovacia píla

POZOR!

Úroveň vibrácií uvedená v týchto pokynoch bola nameraná meracou metódou, ktorú stanovuje norma EN 61029 a je možné ju použiť na vzájomné porovnanie elektrického náradia. Hodí sa aj na predbežné posúdenie kmitavého namáhania.

Uvedená úroveň vibrácií reprezentuje hlavné aplikácie elektrického náradia. Ak sa však elektrické náradie používa pre iné aplikácie, s odlišnými vloženými nástrojmi alebo s nedostatočnou údržbou, môže sa úroveň vibrácií líšiť. Toto môže kmitavé namáhanie v priebehu celej pracovnej doby podstatne zvýšiť.

Pre presný odhad kmitavého namáhania by sa mali tiež zohľadniť doby, v ktorých je náradie vypnuté alebo je síce v chode, ale v skutočnosti sa nepoužíva. Toto môže kmitavé namáhanie v priebehu celej pracovnej doby zreteľne redukovať.

Stanovte dodatočné bezpečnostné opatrenia pre ochranu obsluhy pred účinkami vibrácií, ako napríklad: údržba elektrického náradia a vložených nástrojov, udržiavanie teploty rúk, organizácia pracovných postupov.

POZOR Zoznámte sa so všetkými bezpečnostnými pokynmi. Zanedbanie dodržiavania Výstražných upozornení a pokynov uvedených v nasledujúcom texte môže mať za následok zásah elektrickým prúdom, spôsobiť požiar a/alebo ťažké poranenie.

Tieto Výstražné upozornenia a bezpečnostné pokyny starostlivo uschovajte na budúce použitie.

OBECNÉ BEZPEČNOSTNÉ POKYNY



POZOR

Pri používaní elektrického náradia treba kvôli ochrane pred zásahom elektrickým prúdom, nebezpečenstvom poranenia a nebezpečenstvom vzniku požiaru dodržiavať nasledujúce zásadné bezpečnostné opatrenia. Skôr ako elektrické náradie použijete, prečítajte si všetky tieto pokyny a príslušné bezpečnostné pokyny si dobre uschovajte.

Udržujte pracovný priestor čistý. Nepoupratované pracovné miesta a obrábacie stoly zvyšujú riziko nehôd a poranení.

Berte ohľad na okolie pracovného priestoru. Prístroj nevystavujte dažďu a nepoužívajte v mokrom či vlhkom prostredí. Udržujte pracovný priestor dobre osvetlený. Nepoužívajte nástroje v prítomnosti horľavých kvapalín alebo plynov.

Chráňte sa pred zásahom elektrického prúdu. Zamedzte kontaktu tela s uzemnenými časťami, ako napríklad trúbkami, radiátormi, sporákmi alebo chladničkami.

Iné osoby držte preč mimo priestoru. Nedovoľte osobám, najmä deťom, ktoré sa nepodieľajú na práci, aby sa dotýkali nástroja alebo predlžovacieho kábla a udržujte ich preč mimo pracovného priestoru.

Uskladnite nástroje, ktoré sa nepoužívajú. Náradie, ktoré sa nepoužíva, musí byť uložené na suchom, podľa možnosti vysoko položenom mieste, mimo dosahu detí alebo musí byť nedostupne uskladnené.

Slovensky

Prístroj nepreťažujte. Na danú prácu použite vhodný elektrický prístroj. S vhodným elektrickým prístrojom sa pracuje lepšie a bezpečnejšie v uvedenom rozsahu výkonu.

Používajte správny nástroj. Nepoužívajte malé nástroje na výkon prác určených nástrojom na veľké namáhanie. Elektrické náradie nepoužívajte na také účely, pre ktoré nie je určené. Napr. ručnú kotúčovú pílu nepoužívajte na rezanie konárov stromov alebo drevných polien.

Noste vhodný odev. Nenoste široký odev a šperky.

Vlasy, odev a rukavice držte v bezpečnej vzdialenosti od pohyblivých častí. Pri prácach vo vonkajšom prostredí vám odporúčame používať pracovnú obuv, ktorá sa nešmyka. Pri dlhých vlasoch noste sieťku na vlasy.

Používajte ochranné pomôcky. Používajte ochranné okuliare. Používajte masku na tvár alebo masku proti prachu, ak pracovné procesy vytvárajú prach.

Vždy pripojte odsávanie prachu. Ak je možné namontovať odsávacie a lapače prachu, uistite sa, že sú pripojené a správne sa používajú.

Kábel nepoužívajte v rozpore s určením. Nikdy neškľbte káblom, aby ste ho odpojili zo zásuvky. Udržujte kábel mimo tepla, oleja a ostrých hrán.

Obrobok zaistite. Na pevné prichytenie obrobku používajte upínacie zariadenia alebo zverák. Taktó bude bezpečnejšie uchytený ako iba pomocou ruky.

Nenakláňajte sa príliš a stále udržiavajte rovnováhu.

Uchovávajte nástroje so starostlivosťou. Rezné nástroje udržiavajte ostré a čisté pre lepší a bezpečnejší výkon. Riadte sa pokynmi k zamazaniu a k výmene nástroja. Pravidelne kontrolujte pripojný kábel elektrického náradia a v prípade poškodenia ho nechajte prostredníctvom autorizovaného odborníka vymeniť. Pravidelne kontrolujte predlžovacie káble a ak sú tieto poškodené, tak ich vymeňte. Rukoväte udržiavajte suché, čisté a bez oleja a mazív.

Odpojte nástroje. Keď sa nepoužívajú, pred vykonávaním údržby a pri výmene príslušenstva, ako sú kotúče, hroty a rezné časti, odpojte nástroje od zdroja napájania.

Odstráňte nastavovacie kľúče. Zvyknite si skontrolovať, že kľúče a nastavovacie kľúče sú odstránené z nástroja pred jeho zapnutím.

Zabráňte náhodnému uvedeniu do prevádzky. Zaisťte, aby bol spínač pri inštalácii akumulátora v polohe „vypnuté“.

Používajte vonkajšie predlžovacie káble. Ak s elektrickým náradím pracujete vonku, používajte iba predlžovacie káble, ktoré sú schválené aj pre vonkajšie prostredie a adekvátne sú označené.

Zostaňte v strehu. Sledujte, čo robíte, používajte zdravý rozum a neprecupíte s nástrojom, keď ste unavení.

Pred použitím dôkladne skontrolujte nástroj ohľadne akéhokoľvek poškodenia alebo únavy materiálu. Skontrolujte nastavenie pohyblivých častí, spojenie pohyblivých častí, poškodenie dielov, montáž a akéhokoľvek ďalšie okolnosti, ktoré by mohli ovplyvniť jeho prevádzku.

Nepoužívajte zariadenie, ak ochranné kryty nie sú na svojom mieste a nefungujú správne.

Poškodenia nechajte okamžite opraviť v autorizovanej špecializovanej dielni. Nepoužívajte nástroj, pokiaľ ho spínač nezapína a nevyvíja.

POZOR Použitie akéhokoľvek príslušenstva alebo prídavného zariadenia, iného než je odporúčané v tomto návode na obsluhu, môže predstavovať riziko zranenia osôb.

Elektrické náradie nechajte opravovať prostredníctvom odborníka elektrikára. Toto elektrické náradie zodpovedá príslušným bezpečnostným ustanoveniam. Opravy smie realizovať iba odborník elektrikár tak, že budú použité originálne náhradné diely; v opačnom prípade môžu vzniknúť pre používateľa riziká.

BEZPEČNOSTNÉ POKYNY PRE POKOSOVÉ PÍLY

Vždy upnite obrobok bezpečne.

Zaisťte stabilnú polohu stroja (napríklad upevnením na pracovný stôl).

Používajte ochranu sluchu. Nadmerný hluk môže viesť k strate sluchu.

Pri práci s elektrickým náradím používajte vždy ochranné okuliare. Odporúča sa používať rukavice na manipuláciu s kotúčmi a hrubým materiálom, rovnako ako odolnú protišmykovú obuv, ktorá tiež chráni nohy pred obrobkami, ktoré môžu spadnúť z priestoru rezania.

Pred realizáciou akéhokoľvek nastavenia, údržby alebo čistenia na zariadení vždy vytiahnite zástrčku alebo akumulátor.

Zaisťte, aby bolo zariadenie vypnuté pred vložením alebo vybratím akumulátora.

Nestoňte v jednej línii s pilovým kotúčom v prednej časti zariadenia. Vždy stojte bokom od pilového kotúča.

Udržujte ruky, prsty a ramená preč od rotujúceho pilového kotúča.

Nikdy nesaňajte do oblastí v blízkosti kotúča, pokiaľ sa kotúč úplne nezastavil.

Pred použitím dôkladne skontrolujte nástroj ohľadne akéhokoľvek poškodenia alebo únavy materiálu. Poškodené diely nechajte opraviť u odborníka.

Ochranné zariadenie stroja bezpodmienečne používajte. Nepoužívajte zariadenie, ak ochranné kryty nie sú na svojom mieste a nefungujú správne.

Ochranný kryt nesmie byť fixovaný vo vychýlenom stave.

Ak dôjde k zaseknutiu obrobku alebo kotúča, vypnite pokosovú pílu. Počkajte, kým sa všetky pohyblivé časti zastavia a odpojte zástrčku od zdroja napájania a/alebo vyberte akumulátor. Potom pracujte na uvoľnení zaseknutého materiálu.

Nikdy nemodifikujte ani neupravujte pílu ani jej funkciu. Môže byť ohrozená vaša bezpečnosť.

Nepoužívajte pilové kotúče, ktoré sú prasknuté, poškodené alebo zdeformované.

Nepoužívajte pilové listy, vyrobené z rýchloreznej ocele.

Používajte len pilové kotúče, ktoré sú ostré. Vymeňte tupé kotúče za nové náhradu.

Pri manipulácii s pilovým kotúčom používajte držiak kotúča alebo noste rukavice.

Používajte vždy pilové listy správnej veľkosti a s vhodným upínacím otvorom.

Pilové listy, ktoré sa nehodia k montážnym súčiastkam píly, nebežia celkom rotačne a spôsobia stratu kontroly obsluhy na náradí.

Používajte iba drevoobrábkacie kotúče špecifikované v tomto návode, ktoré spĺňajú požiadavky normy EN 847-1.

Nepoužívajte akéhokoľvek príruby, podložky ani matice na zabezpečenie pilového kotúča, len tie, ktoré boli dodané alebo uvedené v návode na obsluhu.

Dodržiavajte maximálny počet otáčok uvedený na pilovom liste.

Vyberte si pilový list vhodný na rezanie vybraného materiálu.



Slov

Nikdy nepoužívajte pokosovú pílu na rezanie materiálov iných než sú uvedené v odseku zamýšľaného použitia v tomto návode.

Vymeňte stôlovú vložku, keď je opotrebovaná alebo poškodená.

Pred začatím prác vykonajte skúšobný rez bez zapnutého motora tak, aby ste mohli skontrolovať polohu kotúča, činnosť ochranných krytov s ohľadom na ostatné časti zariadenia a obrobok.

Neodstraňujte odrezky a iné zvyšky materiálu z rezného priestoru, pokiaľ píla beží a rezná hlava je v pohybe.

Pri preprave zariadenia používajte iba dopravné zariadenia a nikdy nepoužívajte ochranné kryty na manipuláciu alebo prepravu.

Skracovacia pílu prepravujte vždy len s aretovanou prepravou poistkou na rukováti.

Udržujte čistotu a pravidelne zametajte piliny a odrezky.

Dlhé obrobky vhodným spôsobom podprite.

Rezivo s kruhovým alebo nepravidelným prierezom (napr. palivové drevo) sa nesmie rezať, pretože ho nie je možné bezpečne fixovať. Pri rezaní plochého materiálu na výšku sa k bezpečnému vedeniu musí používať vhodná pomocná zářka.

Prach, ktorý vzniká pri práci je často zdraviu škodlivý a nemal by sa dostať do tela. používajte odsávac prachu a noste vhodnú masku proti prachu. Uskladnený prach dôkladne odstráňte, napr. vysať.

Pri pílení dreva pripojte pílu k vysávaču.

Nevymieňajte LED ani laser za iný typ. Všetky opravy musia byť vykonávané len výrobcom alebo autorizovaným servisným technikom.

Pílové listy, ktoré nezodpovedajú charakteristikám uvedeným v návode na použitie, nesmú sa použiť.

Nástroje sa musia prepravovať a skladovať vo vhodnom obale;

Závady na stroji, na ochrannom zariadení alebo na pílových listoch treba ihneď po zistení nahlásiť osobe zodpovednej za bezpečnosť.

Pri vykonávaní pokosu, úkosu alebo zložených pokosových rezov nastavte posuvné vodidlo, aby sa zabezpečila správna vzdialenosť od čepele.

Prostredníctvom prireranej rýchlosti posuvu zamedzte prehriatiu zovoz pílového listu a pri rezaní plastov aj taveniu materiálu.

POZOR LED diódu nevymieňajte za inú.

KOTUČ NA REZANIE DREVA ŠPECIÁLNE BEZPEČNOSTNÉ POKYNY

Pred použitím pílového kotúča a zariadenia si pozorne prečítajte návod a inštrukcie.

Zariadenie musí byť v dobrom stave, hriadeľ bez deformácií a vibrácií.

Nepoužívajte pílu bez ochranných krytov v určenej pozícii, udržiavajte ochranné kryty v dobrom prevádzkovom stave a riadne sa o ne starajte.

Zaistite, aby bol operátor dostatočne vyskolený ohľadne bezpečnostných opatrení, nastavenia a prevádzky zariadenia.

Pri používaní zariadenia vždy noste ochranné okuliare a ochranu sluchu. Odporúča sa nosiť rukavice, odolnú protišmykovú obuv a zásteru.

Pred použitím akéhokoľvek príslušenstva nahliadnite do návodu na obsluhu. Nesprávne použitie príslušenstva môže zapríčiniť poškodenie a zvýšiť možnosť zranenia.

Používajte iba kotúče špecifikované v tomto návode, ktoré spĺňajú požiadavky normy EN 847-1.

Dodržujte maximálnu rýchlosť vyznačenú na pílovom kotúči. Zaisťte, aby bola rýchlosť vyznačená na pílovom kotúči prinajmenšom rovná rýchlosti vyznačenej na pile.

Používajte vždy pílové listy správnej veľkosti a s vhodným upínacím otvorom.

Pílové listy, ktoré sa nehodia k montážnym súčiastkam píly, nebežia celkom rotačne a spôsobia stratu kontroly obsluhy na náraďi.

Nepoužívajte kotúče väčších ani menších priemerov, než je odporúčané. Nepoužívajte žiadne rozpiery, aby kotúč zapadol do hriadeľa.

Pred každým použitím skontrolujte hroty pílového kotúča ohľadom poškodenia alebo neobvyklého vzhľadu. Hroty, ktoré sú poškodené alebo uvoľnené, sa môžu stať pri používaní lietajúcimi objektmi a zvýšiť tak šancu na zranenia osôb.

Popraskané pílové listy alebo také, ktoré zmenili tvar, nesmú sa použiť. Nepoužívajte poškodené alebo deformované pílové listy.

Vyradte pílový kotúč v prípade poškodenia, deformácie, skrivenia alebo prasknutia, oprava nie je povolená.

Nepoužívajte pílové listy, vyrobené z rýchlereznej ocele.

Zaisťte, aby bol pílový kotúč správne namontovaný, pred použitím bezpečne utiahnite maticu hriadeľa (utahovací moment cca. 12 Nm).

Upevňovacia skrutka a matice musia byť utiahnuté pomocou príslušného skrutkového kľúča, atď.

Nadstavec kľúča ani utahovanie pomocou úderov kladiva nie sú povolené.

Uistite sa, že kotúč a príruby sú čisté a zapustené strany nákrúžku sú proti kotúčom.

Uistite sa, že kotúč sa otáča v správnom smere.

Pred začatím prác vykonajte skúšobný rez bez zapnutého motora tak, aby ste mohli skontrolovať polohu kotúča, činnosť ochranných krytov s ohľadom na ostatné časti zariadenia a obrobok.

Nikdy nenechávajte zariadenie bez dozoru.

Neapikujte žiadne mazivo na kotúč, keď je v chode.

Nikdy nevykonávajte čistiace ani údržbové práce, keď je zariadenie stále v chode a hlava nie je v pokojovej polohe.

Nikdy sa nepokúšajte zastaviť zariadenie v pohybe rýchlo zablokovaním nástroja alebo iných prostriedkov proti kotúčom, týmto spôsobom by mohlo neúmyselne dôjsť k vážnym nehodám.

Odpojte pílu od elektrickej siete alebo vyberte akumulátor pred výmenou kotúča alebo vykonávaním údržby.

Venujte pozornosť baleniu a vybalovaniu kotúča, ľahko sa môžete zraníť ostrými hrotmi kotúča.

Pri manipulácii s pílovým kotúčom používajte držiak kotúča alebo noste rukavice.

Udržiavajte a skladujte kotúč v originálnom obale alebo inom vhodnom obale, udržiavte v suchu a preč od chemických látok, ktoré môžu kotúč poškodiť.

ŠPECIÁLNE BEZPEČNOSTNÉ POKYNY LASER

Laserové žiarenie použité v tejto pile je trieda 1 s maximom <1mW a 650nm vlnových dĺžok. Nepozerajte sa priamo pomocou optických prístrojov. Nedodržanie pravidiel môže mať za následok vážne zranenie osôb.

Nepozerajte sa do lúča počas prevádzky.

Nesmerujte laserový lúč priamo do očí iných ľudí. Výsledkom by mohlo byť vážne poranenie očí.



Nedávajte laser do takej polohy, ktorá by mohla spôsobiť, že hocikto by ťa ťahal do laserového lúča úmyselne alebo neúmyselne.

Nepoužívajte optické nástroje na pozieranie do laserového lúča.

Neprevádzkujte laser v blízkosti detí ani nedovoľte deťom laser obsluhovať.

Nepokúšajte sa opraviť laserové zariadenie sami.

Nepokúšajte sa vymeniť akékoľvek časti laserového zariadenia sami.

Všetky opravy musia byť vykonávané len výrobcom alebo autorizovaným servisným technikom.

POZOR Zabudovaný laserový modul nikdy nezamieňajte za laserové zariadenie iného typu.

Laser nesmerujte na reflexné plochy.

Nevytavujte sa laserovému žiareniu. Laser môže vysielat' silné žiarenie.

POUŽITIE PODĽA PREDPISOV

Pokosová píla je určená na rezanie kompaktného a lepeného dreva s alebo bez lepených dýh, plastov a materiálov podobných drevu.

Pokosová píla je určená na používanie len dospelými osobami, ktoré si prečítali tento návod na obsluhu a pochopili riziká a nebezpečenstvá.

Pokosová píla je určená k upevneniu na základni k vrchnej časti pevného pracovného stola. V prípade, že základňa nie je bezpečne upevnená, celé zariadenie sa môže pri operáciách rezania pohybovať, čo zvyšuje možnosť vážneho zranenia osôb.

Pokosová píla je určená na vykonávanie skosenia a pokosu.

Možnosti rôznych rezov sú uvedené v produktových špecifikáciách v tomto návode.

Pokosová píla sa má používať v suchých podmienkach, s výborným okolitým osvetlením a dostatočným vetraním.

Pokosová píla je určená pre spotrebiteľské používanie a mala by sa používať len tak, ako je popísané vyššie, a nie je určená na akýkoľvek iný účel.

ZVÝŠKOVÉ RIZIKÁ

Aj keď sa pokosová píla používa tak, ako je predpísané, je stále nemožné úplne vylúčiť určité faktory zvyškového rizika. Môžu vzniknúť nasledujúce nebezpečenstvá a prevádzkovateľ by mal venovať osobitnú pozornosť, aby sa zabránilo nasledujúcemu:

- Riziko kontaktu s nekrytými časťami rotujúceho pilového kotúča.
- Spätný odraz obrobkov alebo častí obrobkov v dôsledku nesprávneho nastavenia alebo manipulácie.
- Katapultovanie chybných karbidových hrotov z pilového kotúča. Vždy noste ochranu očí.
- Poškodenie dýchacích ciest. Noste masky na ochranu dýchacích ciest obsahujúce filtre vhodné pre materiály, s ktorými sa pracuje. Zaisťte vhodné vetranie na pracovisku. Nejedzte, nepite ani nefajčite v pracovnej oblasti.
- Poškodenie sluchu, ak sa nepoužíva účinná ochrana sluchu.

POZOR Prach z niektorých náterov, povlakov a materiálov môže spôsobiť podráždenie alebo alergické reakcie. Prach z dreva ako sú dub, buk, MDF, a iných je karcinogénny. S materiálmi obsahujúcimi azbest by sa malo pracovať, resp. by mali byť spracovávané len kvalifikovanými odbornými pracovníkmi.

POZOR Zranenia môžu byť spôsobené alebo zhoršené dlhodobým používaním nástroja. Ak používate akýkoľvek nástroj predĺženú dobu, zaisťte, aby ste robili pravidelné prestávky.

AKUMULÁTORY

Dlhší čas nepoužívané výmenné akumulátory pred použitím dobíť.

Teplota vyššia ako 50°C znižuje výkon výmenného akumulátora. Zabráňte dlhšiemu ohriatiu slnkom alebo kúrením.

Pripájacie kontakty na nabíjacom zariadení a výmennom akumulátore udržiavať čisté.

Pre optimálnu životnosť je nutné akumulátory po použití plne dobíť.

K zabezpečeniu dlhej životnosti by sa akumulátory mali po nabití vybrať z nabíjačky.

Pri skladovaní akumulátora po dobu dlhšiu než 30 dní: Skladujte akumulátor v suchu pri cca 27°C. Skladujte akumulátor pri cca 30%-50% nabíjacej kapacity. Opakujte nabíjanie akumulátora každých 6 mesiacov.

Pri extrémnych záťažach alebo extrémnych teplotách môže dôjsť k vytečeniu batériovej tekutiny z poškodeného výmenného akumulátora. Ak dôjde ku kontaktu pokožky s roztokom, postihnuté miesta umyť vodou a mydlom. Ak sa roztok dostane do očí, okamžite ich dôkladne vypláchnuť po dobu min. 10 min a bezodkladne vyhľadať lekára.

Výmenné akumulátory neskladovať spolu s kovovými predmetmi (nebezpečenstvo skratu).

Opotrebované výmenné akumulátory nezahadzujte do ohňa alebo medzi domový odpad. AEG ponúka likvidáciu starých výmenných akumulátorov, ktorá je v súlade s ochranou životného prostredia; informujte sa u Vášho predajcu.

BATÉRIA A NABIJAČKA

Kompatibilný akumulátor (nie je súčasťou dodávky): System GBS

Kompatibilná nabíjačka (nie je súčasťou dodávky): System GBS

Výmenné akumulátory systému GBS nabíjajú len nabíjacími zariadeniami systému GBS. Akumulátory iných systémov týmto zariadením nenabíjajú.

PREPRAVA LIŤOVO-IÓNŮVÝCH BATÉRIÍ

Liťovo-iónové batérie podľa zákonných ustanovení spadajú pod prepravu nebezpečného nákladu.

Preprava týchto batérií sa musí realizovať s dodržiavaním lokálnych, vnútroštátnych a medzinárodných predpisov a ustanovení.

Spotrebiteľia môžu tieto batérie bez problémov prepravovať po cestách.

Komerčná preprava liťovo-iónových batérií prostredníctvom špedičných firm predlieha ustanoveniam o preprave nebezpečného nákladu. Prípravu k vyexpedovaniu a samotnú prepravu smú vykonávať iba adekvátne vyškolené osoby. Na celý proces sa musí odborné dohliadať.

Pri preprave batérií treba dodržiavať nasledovné:

Zabezpečte, aby boli kontakty chránené a izolované, aby sa zamedzilo skratom. Dávajte pozor na to, aby sa zväzok batérií v rámci balenia nemohol zošmyknúť. Poškodené a vytečené batérie sa nesmú prepravovať. Kvôli ďalším informáciám sa obráťte na váš špedičnú firmu.

OCHRANA PROTI PREŤAŽENIU AKUMULÁTORA

Pri preťažení akumulátora príliš vysokou spotrebou prúdu, napríklad pri extrémne vysokom krútiacom momente, začne elektrické náradie po dobu 5 sekúnd vibrovať, indikátor dobijania začne blikať a motor sa následne samočinne vypne.

K opätovnému zapnutiu uvoľnite a následne opäť stlačte tlačidlový vypínač.



Slov

Pri extrémnom zaťažení dochádza k príliš vysokému ohrevu akumulátora. V tomto prípade začnú blikať všetky kontrolky indikátora dobijania a blikajú tak dlho, dokiaľ sa akumulátor opäť neochladí. V okamihu, keď indikátor dobijania prestane blikať, je možné v práci opäť pokračovať.

Akumulátor v tomto prípade k dobitiu a aktivácii vložte opäť do nabíjačky.

ÚDRŽBA

Nepopravujte túto pílu žiadnym spôsobom ani nepoužívajte príslušenstvo, ktoré nie je schválené výrobcom. Môže byť ohrozená vaša bezpečnosť a bezpečnosť iných osôb.

Nepoužívajte pílu, ak nejaké prepínače, ochranné kryty alebo iné funkcie tejto píly nefungujú tak, ako je zamýšľané. Vráťte do autorizovaného servisného strediska na profesionálnu opravu alebo nastavenie.

Nerobte žiadne úpravy, keď je pílový kotúč v pohybe.

Odstráňte akumulátor pred vykonaním úprav, mazania alebo pri vykonávaní akékoľvek údržby na stroji.

Pred a po každom použití skontrolujte pílu ohľadne poškodenia alebo pokazených súčiastok a udržiavajte ju v optimálnom prevádzkovom stave tým, že okamžite vymeníte diely za náhradné diely schválené výrobcom.

Kotúč je po použití veľmi horúci, používajte rukavice alebo nechajte vychladnúť pred údržbou alebo čistiacimi procesmi.

Odstráňte nahromadený prach pomocou kefy alebo vysávača. Nepoužívajte stlačený vzduch.

Pre zaistenie bezpečnosti a spoľahlivosti by mali byť všetky opravy, vrátane výmeny kief, vykonávané v autorizovanom servisnom stredisku.

Vždy odpojte nástroj od elektrickej siete pred montážou alebo demontážou ostria píly.

Prístroj a ochranné zariadenie čistite suchou handričkou.

Vetracie otvory udržiavať stále v čistote.

NÁHRADNÉ DIELY

Používať len AEG príslušenstvo a náhradné diely. Súčiastky bez návodu na výmenu treba dať vymeniť v jednom z AEG zákaznických centier (viď brožúru Záruka/Adresy zákaznických centier).

Pri udaní typu stroja a čísla nachádzajúceho sa na štítku dá sa v prípade potreby vyžiadať explozivná schéma prístroja od vášho zákaznického centra alebo priamo v Techtronic Industries GmbH, Max-Eyth-Straße 10, 71364 Winnenden, Germany.

CE - VYHLÁSENIE KONFORMITY

Na našu výhradnú zodpovednosť vyhlasujeme, že produkt popísaný v časti „Technické údaje“ spĺňa všetky príslušné ustanovenia smerníc

2011/65/EÚ

2006/42/ES

2014/30/EÚ

a boli použité nasledovné harmonizované normy

EN 61029-1:2009 + A11:2010

EN 61029-2-9:2012 + A11:2013

EN 55014-1:2006+A1:2009+A2:2011

EN 55014-2: 1997+A1:2001+A2:2008

EN 50581:2012



Winnenden, 2016-12-02

Alexander Krug / Managing Director
Spľnomocnený zostaviť technické podklady.

Techtronic Industries GmbH
Max-Eyth-Straße 10, 71364 Winnenden, Germany

SYMBOLY



POZOR! NEBEZPEČENSTVO!



Pred každou prácou na stroji výmenný akumulátor vytiahnuť.



Pred prvým použitím prístroja si pozorne prečítajte návod na obsluhu.



Pri práci so strojom vždy noste ochranné okuliare.



Používajte ochranu sluchu!



Používajte ochranné rukavice!



Otvorená skrutka / Smer otáčania



Nikdy nedávajte ruky do priestoru pílového listu.



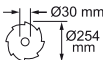
Prístroj je určený na použitie v krytých priestoroch, prístroj nevystavujte dažďu.



Nedívajte sa do laserového lúča.



This product corresponds to the laser class 1 in accordance with EN 60825-1:2014.



Priemer pílového listu x priemer diery



Smer otáčania



ostrie zuby



Šírka rezu



Elektrické prístroje sa nesmú likvidovať spolu s odpadom z domácnosti. Elektrické a elektronické prístroje treba zbierať oddelene a odovzdať ich v recyklačnom podniku na ekologickú likvidáciu. Na miestnych úradoch alebo u vášho špecializovaného predajcu sa pýtajte na recyklačné podniky a zberné dvory.



Značka CE



UkrSEPRO značka zhody



Euroázijská značka zhody

Slovensky

DANE TECHNICZNE Ukośnica *	BPS18-254BL
Numer produkcyjny	4601 74 01... ... 000001-999999
Napięcie baterii akumulatorowej	18 V
Prędkość bez obciążenia	3900 min ⁻¹
Średnica ostrza piły x średnica otworu	254 × 30 mm
Grubość brzeszczotu piły	1,6 mm
Grubość zęba piły	2,2 mm
Maksymalna wydajność cięcia Ucios 0°/ Nachylenie 0° Ucios 0°/ Nachylenie 45° Ucios 0°/ Nachylenie 45° Ucios 45°/ Nachylenie 0° Ucios 45°/ Nachylenie 0° Ucios 45°/ Nachylenie 45° Ucios 45°/ Nachylenie 45°	90 mm × 305 mm 39 mm × 305 mm 43 mm × 305 mm 90 mm × 215 mm 50 mm × 215 mm 39 mm × 215 mm 43 mm × 215 mm
Min. wymiary przedmiotu obrabianego	215 × 35 × 2,5 mm
Ciężar wg procedury EPTA 01/2003 (Li-Ion 5.0 Ah)	16,3 kg
Informacja dotycząca szumów Zmierzone wartości wyznaczono zgodnie z normą EN 61029. Poziom szumów urządzenia oszacowany jako A wynosi typowo: Poziom ciśnienia akustycznego (Niepewność K=3dB(A)) Poziom mocy akustycznej (Niepewność K=3dB(A))	89,0 dB (A) 98,5 dB (A)
Należy używać ochroniaczy uszu! Informacje dotyczące wibracji Wartości łączne drgań (suma wektorowa trzech kierunków) wyznaczone zgodnie z normą EN 61029 Piłowanie drewna: Wartość emisji drgań a _h Niepewność K=	1,1 m/s ² 1,5 m/s ²

* PS Δ Ukośnica

OSTRZEŻENIE!

Podany w niniejszych instrukcjach poziom drgań został zmierzony za pomocą metody pomiarowej zgodnej z normą EN 61029 i może być użyty do porównania ze sobą elektronarzędzi. Nadaje się on również do tymczasowej oceny obciążenia wibracyjnego.

Podany poziom drgań reprezentuje główne zastosowania elektronarzędzia. Jeśli jednakże elektronarzędzie użyte zostanie do innych celów z innym narzędziami roboczymi lub nie jest dostatecznie konserwowane, wtedy poziom drgań może wykazywać odchylenia. Może to wyraźnie zwiększyć obciążenie wibracjami przez cały okres pracy.

Dla dokładnego określenia obciążenia wibracjami należy uwzględnić również czasy, w których urządzenie jest wyłączone względnie jest włączone, lecz w rzeczywistości nie pracuje. Może to spowodować wyraźną redukcję obciążenia wibracyjnego w całym okresie pracy.

Należy wprowadzić dodatkowe środki zapobiegawcze celem ochrony obsługującego przed oddziaływaniem drgań, jak na przykład: konserwacja narzędzi roboczych i elektronarzędzi, nagrzanie rąk, organizacja przebiegu pracy.

OSTRZEŻENIE Prosimy o przeczytanie wskazówek bezpieczeństwa i zaleceń, również tych. Błędy w przestrzeganiu poniższych wskazówek mogą spowodować porażenie prądem, pożar i/lub ciężkie obrażenia ciała.

Należy starannie przechowywać wszystkie przepisy i wskazówki bezpieczeństwa dla dalszego zastosowania.

OGÓLNE WSKAZÓWKI DOTYCZĄCE BEZPIECZEŃSTWA

OSTRZEŻENIE

W trakcie użytkowania narzędzi elektrycznych należy w celu ochrony przed porażeniem prądem elektrycznym, niebezpieczeństwem obrażeń ciała oraz zagrożeniem pożarowym przestrzegać następujących podstawowych środków bezpieczeństwa. Należy przeczytać wszystkie niniejsze wskazówki zanim zostanie użyte niniejsze narzędzie elektryczne i starannie przechowywać wskazówki dotyczące bezpieczeństwa.

Utrzymywać porządek w miejscu pracy. Zabałaganione obszary i blaty to zaproszenie do urazów.

Przemyśleć środowisko obszaru roboczego. Nie wystawiać narzędzi na działanie deszczu. Nie używać narzędzi w miejscach wilgotnych lub mokrych. Utrzymywać dobre oświetlenie miejsca pracy. Nie używać narzędzi w obecności palnych cieczy lub gazów.

Unikać kontaktu z uziemionymi elementami jak rury, grzejniki, piecyki lub chłodziarki.

Trzymać z dala od innych osób. Nie pozwolić, aby osoby, zwłaszcza dzieci, niebiorące udziału w pracy dotykały narzędzia lub przedłużacza; trzymać takie osoby z dala od obszaru roboczego.

Przechowywać narzędzia wyłączone. Gdy narzędzie nie jest używane, przechowywać je w suchym, zamkniętym miejscu niedostępnym dla dzieci.

Nie należy przeciążać urządzenia. Podczas pracy stosować elektronarzędzie zgodnie z jego przeznaczeniem. Z narzędziem o odpowiedniej mocy pracuje się łatwiej i bezpieczniej.

Używać odpowiedniego narzędzia. Nie używać małych narzędzi do prac, do których przeznaczone są ciężkie, duże narzędzia.



Pol

Ubiierać się odpowiednio. Nie nosić luźnej odzieży ani biżuterii, ponieważ mogą one zostać wciągnięte przez ruchome części.

Używać wyposażenia ochronnego. Używać okularów ochronnych. Używać maski zwykłej lub przeciwpyłowej, jeśli w trakcie pracy tworzy się pył.

Dajma bir toz emme tertibatı bağlayın. Jeżeli należy zamontować urządzenia do odsysania lub przechwytywania pyłu, należy ustalić, czy można je podłączyć i prawidłowo eksploatować.

Nie wolno wykorzystywać kabla do celów niezgodnych z jego przeznaczeniem. Nigdy nie szarpać za przewód w celu odłączenia urządzenia od gniazdka elektrycznego. Trzymać przewód z dala od źródeł ciepła, oleju i ostrych krawędzi.

Zabezpieczyć obrabiany przedmiot. Jeśli to możliwe, stosować zaciski lub imadło do przytrzymania przedmiotu obrabianego. Jest to bezpieczniejsze niż przytrzymanie elementów rękami.

Nie wychylać się zbyt daleko i zawsze utrzymywać równowagę.

Dbać o narzędzia. Narzędzia tnące powinny być ostre i czyste — to zapewni ich lepsze i bezpieczniejsze działanie. Postępować zgodnie z instrukcjami smarowania i wymiany akcesoriów. Okresowo sprawdzać przewody narzędzia; jeśli są uszkodzone, przekazać je do naprawy w autoryzowanym serwisie. Okresowo sprawdzać przedłużacze i wymieniać w razie uszkodzenia.

Odłączyć narzędzia. Kiedy urządzenie nie jest używane, przed konserwacją i przed wymianą akcesoriów takich jak ostrza, wiertła i frezy, narzędzie należy odłączyć od źródła zasilania.

Usunąć klucze regulacyjne. Nabrać zwyczaju sprawdzania, czy usunięto klucze regulacyjne z narzędzia przed włączeniem go.

Należy unikać przypadkowego uruchomienia. Podczas instalowania akumulatora upewnić się, czy przełącznik znajduje się w położeniu „wyl.” [off].

Stosować przedłużacze zewnętrzne. Gdy urządzenie jest używane na zewnątrz, stosować wyłącznie przedłużacze przeznaczone do użytku na zewnątrz i tak oznakowane.

Zachować czujność. Uważać na swoje działania, zachować zdrowy rozsądek i nie używać urządzenia w razie zmęczenia.

Przed użyciem dokładnie sprawdzić narzędzie pod kątem jakichkolwiek uszkodzeń lub zmęczenia materiału.

Sprawdzać ustawienie ruchomych części, powiązanie ruchomych części, pęknięcia części, mocowanie i wszelkie inne czynniki, które mogą mieć wpływ na działanie urządzenia.

Nie używać urządzenia, gdy osłony nie są na swoim miejscu i nie działają poprawnie.

Naprawę uszkodzeń należy natychmiast zlecić autoryzowanemu warsztatowi specjalistycznemu. Nie używać narzędzia, jeśli przełącznik nie włącza się i nie wyłącza.

OSTRZEŻENIE Stosowanie wszelkich akcesoriów lub przystawek innych niż te zalecane w niniejszej instrukcji obsługi może powodować ryzyko powstania obrażeń ciała.

Naprawy urządzenia powinna dokonywać wykwalifikowana osoba. To narzędzie elektryczne jest zgodne z odpowiednimi przepisami bezpieczeństwa. Napraw powinien dokonywać wyłącznie wykwalifikowany personel przy użyciu oryginalnych części zamiennych; w przeciwnym razie może dojść do znacznego zagrożenia dla użytkownika.

Zawsze bezpiecznie i pewnie zacisnąć obrabiany przedmiot.

Upewnić się, czy maszyna jest zawsze pewnie osadzona (np. zamocowana na stole warsztatowym)..

Stosować środki ochrony słuchu! Hałas może powodować utratę słuchu.

Przy pracy maszyną zawsze nosić okulary ochronne. Zaleca się stosowanie rękawiczek do obsługi ostrzy i materiałów chropowatych, jak również solidnego obuwia antypoślizgowego chroniącego też stopy przed przedmiotami obrabianymi, które mogą wydstawiać się ze strefy skrawania.

Przed przystąpieniem do jakichkolwiek regulacji, konserwacji lub czyszczenia zawsze wyjąć wtyczkę lub odłączyć akumulator.

Przed zamontowaniem lub odłączeniem akumulatora upewnić się, że urządzenie jest wyłączone.

Nie stać w jednej linii z tarczą tnącą w przedniej części urządzenia. Zawsze stać z boku tarczy tnącej.

Trzymaj ręce, palce i ramiona z dala od obracającej się tarczy tnącej.

Nigdy nie sięgać do obszaru w pobliżu ostrza, o ile ostrze nie zostało całkowicie zatrzymane.

Przed użyciem dokładnie sprawdzić narzędzie pod kątem jakichkolwiek uszkodzeń lub zmęczenia materiału. Wymiana winna zostać dokonana wyłącznie przez specjalistę.

Zawsze stosować osłony ochronne na elektronarzędziu. Nie używać urządzenia, gdy osłony nie są na swoim miejscu i nie działają poprawnie.

Nie zaciskać obrotowej osłony zabezpieczającej.

Jeśli obrabiany przedmiot lub ostrze zaczyna się, wyłączyć ukończone.

Poczekaj, aż wszystkie ruchome części zatrzymają się, i odłączyć wtyczkę od źródła zasilania i/lub wyjąć akumulator. Następnie wykonać czynności w celu uwolnienia zaklinowanego materiału.

Nie zmieniać ani nie modyfikować piły lub jej funkcji.

Bezpieczeństwo użytkownika może być zagrożone.

Nie używać tarczy tnących, które są popękane, uszkodzone lub zdeformowane.

Nie używać brzeszczotów wykonanych ze stali szybko tnącej.

Używać wyłącznie tarczy tnących, które są ostre. Wymienić tęgę ostrza na nowe.

Stosować uchwyt do ostrza lub zakładaj rękawice przy operowaniu tarczą tnącą.

Należy używać zawsze brzeszczotów odpowiedniej wielkości i z pasującym otworem zamocowania.

Brzeszczoty, które nie pasują do części montażowych piły kręcą się nierównomiernie i prowadzą do utraty kontroli nad urządzeniem.

Stosować wyłącznie ostrza do obróbki drewna określone w niniejszej instrukcji i zgodne z normą EN 847-1.

Do mocowania tarczy tnącej nie używać jakichkolwiek kołnierzy, podkładek i nakrętek innych niż dostarczone lub wskazane w instrukcji obsługi.

Należy zachowywać maksymalne obroty podane na brzeszczocie.

Brzeszczot należy dobrać odpowiednio do ciętego materiału.

Nigdy nie używać ukończonego do cięcia materiałów innych niż wymienione w odpowiedniej części niniejszej instrukcji obsługi dotyczącej przeznaczenia urządzenia.

Wymienić wkładkę stołu, gdy jest zużyta lub uszkodzona.

Przed przystąpieniem do pracy bez włączania silnika wykonać próbne cięcie w celu sprawdzenia położenia ostrza, działanie osłon w stosunku do innych części urządzenia i przedmiotu obrabianego.



Pol

Nie wolno usuwać żadnych pozostałości po cięciu lub innych części przedmiotów obrabianych gdy maszyna pracuje a głowica piły nie znajduje się w położeniu spoczynkowym.

Podczas transportowania urządzenia używać wyłącznie urządzeń transportowych; nigdy nie wykorzystywać osłony do przenoszenia lub transportu.

Tarczówkę transportować tylko z zamkniętym na zatrzask zabezpieczeniem transportowym na rękojeści.

Usuwać resztki materiału z podłogi np. wióry i odcięte kawałki drewna.

Długie przedmioty obrabiane należy odpowiednio podeprzeć.

Nie wolno ciąć przedmiotów obrabianych o przekroju okrągłym lub nieregularnym (np. drewno kominkowe, ponieważ nie są one pewnie zamocowane podczas cięcia. Podczas cięcia pionowego przedmiotów płaskich należy stosować oparcie pomocnicze do pewnego prowadzenia.

Pył wydzielający się podczas pracy z elektronarzędziem może być szkodliwy dla zdrowia i dlatego też nie powinien on mieć kontaktu z ciałem. Stosować układ pochłaniania pyłu i nosić odpowiednią maskę ochronną. Dokładnie usunąć nagromadzony pył np. przy pomocy odkurzacza.

Podczas piłowania drewna należy podłączyć pilarkę do odkurzacza.

Nie wymieniać LED lub lasera na inny typ. Wszelkich napraw musi dokonywać wyłącznie producent lub autoryzowany serwis.

Nie używać ostrzy nie odpowiadających głównym parametrom podanym w instrukcji obsługi.

Narzędzia muszą być transportowane i przechowywane w odpowiednim pojemniku;

Usterki maszyny, włączając w to urządzenie ochronne lub brzeszczoty, należy natychmiast po wykryciu zgłosić osobie odpowiedzialnej za bezpieczeństwo.

Podczas wykonywania cięcia kąтового, fazowania lub złożonych cięć kątowych, dostosować ruchomy ogranicznik, aby zapewnić prawidłowy odstęp od ostrza.

Poprzez zastosowanie odpowiedniej szybkości posuwu unikać przegrzania zębów pił tarczowych, a podczas cięcia tworzyć sztucznych topienia materiału.

OSTRZEŻENIE Nie wymieniać lampki LED na inną.

OSTRZE DO CIĘCIA DREWNA INSTRUKCJE DOTYCZĄCE BEZPIECZEŃSTWA

Przed użyciem tarczy tnącej i urządzenia uważnie przeczytać podręcznik oraz instrukcję.

Urządzenie musi być w dobrym stanie; trzpień — bez odkształceń i drgań.

Nie używać piły bez osłon w odpowiednim położeniu; utrzymywać osłony w dobrym stanie i odpowiednio je konserwować.

Upewnić się, że operator został odpowiednio przeszkolony w zakresie środków bezpieczeństwa, regulacji i eksploatacji urządzenia.

Zawsze nosić okulary ochronne i ochraniacze na uszy podczas korzystania z urządzenia. Zaleca się stosowanie rękawic, wytrzymałych butów antypoślizgowych i fartucha.

Przed użyciem jakiegokolwiek akcesorium należy zapoznać się z instrukcją obsługi. Niewłaściwe użytkowanie akcesoriów może spowodować uszkodzenie i zwiększyć ryzyko obrażeń.

Stosować wyłącznie ostrza określone w niniejszej instrukcji, zgodnie z normą EN 847-1.

Przestrzegać maksymalnej prędkości podanej na tarczy tnącej.

Upewnić się, że prędkość podana na tarczy tnącej jest co najmniej równa prędkości wskazanej na pile.

Należy używać zawsze brzeszczotów odpowiedniej wielkości i z pasującym otworem zamocowania.

Brzeszczoty, które nie pasują do części montażowych piły kręcą się nierównomiernie i prowadzą do utraty kontroli nad urządzeniem.

Nie używać ostrzy o średnicy większej lub mniejszej niż zalecana.

Nie używać żadnych podkładek dystansowych, aby dopasować ostrze do trzpienia.

Przed każdym użyciem sprawdzić końcówki tarczy tnącej pod kątem uszkodzenia lub nieprawidłowego wyglądu. Uszkodzone lub luźne końcówki mogą w trakcie pracy ulec gwałtownemu wyrzuceniu i zwiększyć ryzyko obrażeń ciała.

Nie używać pękniętych lub zniekształconych brzeszczotów!

Nie używać brzeszczotów/tarcz, które są zniekształcone lub uszkodzone.

Uszkodzoną, zdeformowaną, zniekształconą lub pękniętą tarczę tnącą należy zeżłomować; naprawa nie jest dozwolona.

Nie używać brzeszczotów wykonanych ze stali szlachetnej.

Upewnić się, że tarcza tnąca jest prawidłowo zamocowana, bezpiecznie dokręcić nakrętkę trzpienia przed użyciem (moment dokręcenia: ok. 12 Nm).

Śruba mocująca i nakrętki można dokręcić odpowiednim kluczem.

Przedłużanie klucza do nakrętki lub dokręcanie za pomocą uderzeń młotkiem jest niedopuszczalne.

Upewnić się, że ostrze i kołnierze są czyste i że zagłębione boki kołnierza są przy tarczy.

Upewnić się, że ostrze obraca się w prawidłowym kierunku.

Przed przystąpieniem do pracy bez włączania silnika wykonać próbne cięcie w celu sprawdzenia położenia ostrza, działanie osłon w stosunku do innych części urządzenia i przedmiotu obrabianego.

Nie pozostawiać urządzenia bez nadzoru.

Nie nakładać smaru na pracujące ostrze.

Nigdy nie wykonywać żadnych prac konserwacyjnych lub czyszczenia, gdy urządzenie nadal działa, a głowica nie znajduje się w położeniu spoczynkowym.

Nigdy nie próbować szybkiego zatrzymania urządzenia w ruchu przez zablokowanie ostrza narzędziem lub innym przedmiotem — w taki sposób może dojść do nieumyślnego spowodowania poważnego wypadku.

Odłączyć piłę od zasilania lub wyjąć akumulator przed wymianą ostrza lub przystąpieniem do konserwacji.

Uważać przy pakowaniu i rozpakowaniu ostrza; łatwo zranic się ostrymi końcówkami ostrza.

Stosować uchwyt do ostrza lub zakładać rękawice przy operowaniu tarczą tnącą.

Chronić i przechowywać ostrze w oryginalnym opakowaniu lub innym odpowiednim opakowaniu; przechowywać w suchym miejscu, z dala od substancji chemicznych, które mogą uszkodzić ostrze.

INSTRUKCJE DOTYCZĄCE BEZPIECZEŃSTWA LASER

Promieniowanie laserowe stosowane w tej pile: klasa 1, maksymalnie <1 mW, długość fali 650 nm. Nie patrzeć bezpośrednio w przyrządy optyczne. Nieprzestrzeganie zasad może doprowadzić do poważnych obrażeń ciała.

Nie patrzeć na wiązkę podczas pracy.

Nie kierować wiązką laserowej bezpośrednio na oczy innych osób. Może spowodować poważne uszkodzenie oczu.



Nie ustawiać lasera w położeniu, w którym mogłoby dojść do umyślnego lub nieumyślnego spojżenia jakiegokolwiek osoby w wiązkę lasera.

Nie używać przyrządów optycznych do oglądania wiązki laserowej.

Nie używać lasera przy dzieciach ani nie pozwalać dzieciom obsługiwać laser.

Nie próbować naprawiać urządzenia laserowego samodzielnie.

Nie próbować wymieniać części urządzenia laserowego samodzielnie.

Wszelkich napraw musi dokonywać wyłącznie producenta lub autoryzowany serwis.

OSTRZEŻENIE Nie zamieniać wbudowanego lasera na laser innego typu.

Nie kierować lasera na powierzchnie odbijające światło.

Nie narażać się na działanie promieni lasera. Laser może emitować silne promieniowanie.



Pol

WARUNKI UŻYTKOWANIA

Ukośnica z elementem przesuwным jest przeznaczona do cięcia litego drewna i płyt klejonych forniem lub nie, z tworzywami sztucznymi i materiałami podobnymi do drewna lub bez nich.

Ukośnica z elementem przesuwным jest przeznaczona wyłącznie do użytku przez dorosłych operatorów, którzy zapoznali się z instrukcją i rozumieją ryzyko i zagrożenia.

Ukośnica z elementem przesuwным jest przeznaczona do zamocowania podstawą do solidnego blatu roboczego. Jeśli podstawa nie została prawidłowo ustalona, całe urządzenie może poruszać się podczas operacji cięcia, co zwiększa możliwość poważnego zranienia.

Ukośnica z elementem przesuwным jest przeznaczona do wykonywania cięć pod kątem. Możliwości rozmaitych cięć opisano w specyfikacji produktu zawartej w niniejszej instrukcji.

Ukośnica z elementem przesuwным jest przeznaczona do pracy w suchych warunkach, o doskonałym oświetleniu otoczenia i odpowiedniej wentylacji.

Ukośnica z elementem przesuwным jest przeznaczona do użytkowania przez konsumenta i powinien być wykorzystywana wyłącznie w sposób opisany powyżej; urządzenie to nie jest przeznaczone do innych celów.

ZAGROŻENIA RESZTKOWE

Nawet stosowanie ukośnicy z elementem przesuwным zgodnie z zaleceniami nie powoduje całkowitego wyeliminowania pewnych szkodliwych czynników ryzyka. Mogą wystąpić niżej wymienione zagrożenia; operator powinien zwrócić szczególną uwagę, aby uniknąć następujących sytuacji:

- Ryzyko kontaktu z odsłoniętymi częściami obracającej się tarczy tnącej.
- Odrzucenie przedmiotów obrabianych lub ich części w wyniku nieprawidłowej regulacji lub obsługi.
- Gwałtowne odrzucenie wadliwych końcówek z węgla od tarczy tnącej. Nosić okulary ochronne przez cały czas.
- Uszkodzenie układu oddechowego. Nosić maskę chroniącą drogi oddechowe i zawierającą filtry odpowiednie do obrabianych materiałów. Zapewnić odpowiednią wentylację miejsca pracy. Nie jeść, nie pić ani nie palić w obszarze roboczym.
- Uszkodzenie słuchu w razie niestosowania skutecznej ochrony słuchu.

OSTRZEŻENIE Pył z niektórych farb, powłok i materiałów może powodować podrażnienia lub reakcje alergiczne. Pył z drewna, takiego jak dąb, buk, z płyt MDF itp. jest rakotwórczy. Materiały zawierające azbest powinien obrabiać lub przetwarzać wyłącznie wykwalifikowany specjalista.

OSTRZEŻENIE Długotrwałe użytkowanie narzędzia może skutkować wystąpieniem lub pogorszeniem się urazów. Podczas korzystania z jakiegokolwiek narzędzia przez dłuższy czas, należy robić regularne przerwy.

BATERIE AKUMULATOROWE

Akumulatory, które nie były przez dłuższy czas użytkowane, należy przed użyciem naładować.

W temperaturze powyżej 50°C następuje spadek osiągniętych wkładki akumulatorowej. Unikaj długotrwałego wystawienia na oddziaływanie ciepła lub promieni słonecznych (niebezpieczeństwo przegrzania).

Styki ładowarek i wkładek akumulatorowych należy utrzymywać w czystości

Dla zapewnienia optymalnej żywotności akumulatory po użyciu należy naładować do pełnej pojemności.

Dla zapewnienia możliwie długiej żywotności akumulatory należy wyjąć z ładowarki po ich naładowaniu.

W przypadku składowania akumulatorów dłużej niż 30 dni:

Przechowywać je w suchym miejscu w temperaturze ok. 27°C.

Przechowywać je w stanie naładowanym do ok. 30% - 50%.

Ładować je ponownie co 6 miesięcy.

W skrajnych warunkach temperaturowych lub przy bardzo dużym obciążeniu może dochodzić do wycieku kwasu akumulatorowego z uszkodzonych baterii akumulatorowych. W przypadku kontaktu z kwasem akumulatorowym należy natychmiast przemyć miejsce kontaktu wodą z mydłem. W przypadku kontaktu z oczami należy dokładnie przepłukiwać oczy przynajmniej przez 10 minut i zwrócić się natychmiast o pomoc medyczną.

Nie przechowywać akumulatorów wraz z przedmiotami metalowymi (niebezpieczeństwo zwarcia).

Zużytych akumulatorów nie wolno wrzucać do ognia ani traktować jako odpadów domowych. AEG oferuje ekologiczną utylizację zużytych akumulatorów.

AKUMULATOR I ŁADOWARKA

Kompatybilny akumulator (nieuwzględnione w zestawie): System GBS

Kompatybilna ładowarka (nieuwzględnione w zestawie): System GBS

Akumulatory Systemu GBS należy ładować wyłącznie przy pomocy ładowarek Systemu GBS. Nie ładować przy pomocy tych ładowarek akumulatorów innych systemów.

TRANSPORT AKUMULATORÓW LITOWO-JONOWYCH

Akumulatory litowo-jonowe podlegają ustawowym przepisom dotyczącym transportu towarów niebezpiecznych.

Transport tych akumulatorów winien odbywać się przy przestrzeganiu lokalnych, krajowych i międzynarodowych rozporządzeń i przepisów.

Odbiorcom nie wolno transportować tych akumulatorów po drogach od tak po prostu.

Komercyjny transport akumulatorów litowo-jonowych przez przedsiębiorstwa spedycyjne podlega przepisom dotyczącym transportu towarów niebezpiecznych. Przygotowania do wysyłki oraz transport mogą być wykonywane wyłącznie przez odpowiednio przeszkolone osoby. Cały proces winien odbywać się pod fachowym nadzorem.

W czasie transportu akumulatorów należy przestrzegać następujących punktów:

Celem uniknięcia zwarcia należy upewnić się, że styki są zabezpieczone i zaizolowane. Zwracać uwagę na to, aby zespół akumulatorów nie mógł się przemieszczać we wnętrzu opakowania.

Nie wolno transportować akumulatorów uszkodzonych lub z wyciekającym z elektrolitem. Odnośnie dalszych wskazówek należy zwrócić się do swojego przedsiębiorstwa spedycyjnego.

ZABEZPIECZENIE PRZECIĄŻENIOWE AKUMULATORA

W przypadku przeciążenia akumulatora przez bardzo duży pobór prądu, na przykład wskutek ekstremalnie dużych momentów obrotowych, narzędzie ręczne z napędem elektrycznym wibruje przez 5 sekund, miga wskaźnik ładowania i narzędzie samoczynnie wyłącza się.

W celu ponownego włączenia narzędzia należy zwolnić przycisk przełączający, a następnie ponownie go włączyć. Przy ekstremalnych obciążeniach akumulator nagrzewa się za mocno. W takim przypadku wszystkie lampki wskaźnika ładowania migają tak długo, aż akumulator ochłodzi się. Po zgaśnięciu wskaźnika ładowania można kontynuować pracę.

Wówczas należy wetknąć akumulator do ładowarki, aby go ponownie naładować i aktywować.

UTRZYMANIE I KONSERWACJA

Nie należy modyfikować piły w jakikolwiek sposób ani nie używać akcesoriów nie zatwierdzonych przez producenta. Bezpieczeństwo użytkownika i innych osób może być zagrożone.

Nie należy używać piły, jeśli jakiegokolwiek przełącznika, osłony czy inne funkcje piły nie działają zgodnie z przeznaczeniem. W celu profesjonalnej naprawy lub regulacji zwrócić się do autoryzowanego centrum serwisowego.

Nie dokonywać żadnych regulacji, gdy tarcza tnąca jest w ruchu. Zdemontować akumulator przed przystąpieniem do regulacji, smarowania lub dokonaniem jakichkolwiek czynności konserwacyjnych na urządzeniu.

Przed każdym użyciem i po każdym użyciu sprawdzić piłę pod kątem uszkodzeń lub wadliwych części. Natychmiast zastąpić takie części częściami zamiennymi zatwierdzonymi przez producenta, aby utrzymać piłę w najlepszym stanie technicznym.

Po użyciu ostrze jest bardzo gorące; nosić rękawice lub pozostawić do ostygnięcia przed przystąpieniem do konserwacji lub czyszczenia.

Szczotką lub odkurzaczem usunąć nagromadzony pył. Nie używać sprężonego powietrza.

Aby zapewnić bezpieczeństwo i niezawodność, wszystkich napraw, w tym zmiany szczotek, powinien dokonywać autoryzowany serwis.

Należy pamiętać, aby przed założeniem lub zdjęciem tarczy tnącej wyjąć wtyczkę z gniazda sieciowego.

Oczyszczyć urządzenie i elementy zabezpieczające za pomocą suchej ściereczki.

Otwory wentylacyjne elektronarzędzia muszą być zawsze drożne.

CZĘŚCI ZAMIENNE

Należy stosować wyłącznie wyposażenie dodatkowe i części zamienne AEG. W przypadku konieczności wymiany części, dla których nie podano opisu, należy skontaktować się z przedstawicielem serwisu AEG (patrz lista punktów obsługi gwarancyjnej/serwisowej).

Na życzenie można otrzymać rysunek widoku zespołu rozebranego. Przy zamawianiu należy podać numer oraz typ elektronarzędzia umieszczony na tabliczce znamionowej. Zamówienia można dokonać albo u lokalnych przedstawicieli serwisu, albo bezpośrednio w Techtronic Industries GmbH, Max-Eyth-Straße 10, 71364 Winnenden, Germany.

DEKLARACJA ZGODNOŚCI CE

Oświadczamy na naszą wyłączną odpowiedzialność, że produkt opisany pod „Dane techniczne” spełnia wszystkie istotne przepisy dyrektyw

2011/65/UE
2006/42/WE
2014/30/UE
i zastosowano następujące zharmonizowane normy
EN 61029-1:2009 + A1:2010
EN 61029-2-9:2012 + A1:2013
EN 55014-1:2006+A1:2009+A2:2011
EN 55014-2: 1997+A1:2001+A2:2008
EN 50581:2012



Winnenden, 2016-12-02

Alexander Krug / Managing Director

Uppełnomocniony do zestawienia danych technicznych

Techtronic Industries GmbH

Max-Eyth-Straße 10, 71364 Winnenden, Germany

SYMBOLE



UWAGA! OSTRZEŻENIE NIEBEZPIECZEŃSTWO!



Przed przystąpieniem do jakichkolwiek prac na elektronarzędziu należy wyjąć wkładkę akumulatorową.



Przed uruchomieniem elektronarzędzia zapoznać się uważnie z treścią instrukcji.



Podczas pracy należy zawsze nosić okulary ochronne.



Należy używać ochroniaczy uszu!



Nosić rękawice ochronne!



Odkręcić wkręt / Kierunek obrotów



Nie należy nigdy wkładać rąk w strefę brzeszczotu piły.



Urządzenie można stosować tylko w pomieszczeniach zamkniętych. Nie wystawiać na deszcz.



Nie patrzeć na promień lasera.



This product corresponds to the laser class 1 in accordance with EN 60825-1:2014.



Średnica ostrza piły x średnica otworu



Kierunek obrotów





ostrzy zęby



Szerokość cięcia



Urządzenia elektryczne nie mogą być usuwane razem z odpadami pochodzącymi z gospodarstw domowych. Urządzenia elektryczne i elektroniczne należy gromadzić oddzielnie i w celu usuwania ich do odpadów zgodnie z wymaganiami środowiska naturalnego oddawać do przedsiębiorstwa utylizacyjnego. Proszę zasięgnąć informacji o centrach recyklingowych i punktach zbiorczych u władz lokalnych lub u wyspecjalizowanego dostawcy.



Znak CE



Znak zgodności UkrSEPRO



Znak zgodności EurAsian



Pol

MŰSZAKI ADATOK Gérvágófűrész *	BPS18-254BL
Gyártási szám	4601 74 01... ... 000001-999999
Akkumulátor feszültség	18 V
Üresjárat fordulatszám	3900 min ⁻¹
Fűrészlap átmérő x lyukátmérő	254 × 30 mm
Fűrészlátrcsa lapvastagsága	1,6 mm
Fűrészlátrcsa fogvastagsága	2,2 mm
Max. vágási teljesítmény forgásszög 0°/ dőlésszög 0° forgásszög 0°/ dőlésszög 45° forgásszög 0°/ dőlésszög 45° forgásszög 45°/ dőlésszög 0° forgásszög 45°/ dőlésszög 0° forgásszög 45°/ dőlésszög 45° forgásszög 45°/ dőlésszög 45°	90 mm × 305 mm 39 mm × 305 mm 43 mm × 305 mm 90 mm × 215 mm 50 mm × 215 mm 39 mm × 215 mm 43 mm × 215 mm
Min. munkadarab méretek	215 × 35 × 2,5 mm
Súly a 01/2003 EPTA-eljárás szerint (Li-Ion 5.0 Ah)	16,3 kg
Zajinformáció A közölt értékek megfelelnek az EN 61029 szabványnak. A készülék munkahelyi zajszintje tipikusan: Hangnyomás szint (K bizonytalanság=3dB(A)) Hangteljesítmény szint (K bizonytalanság=3dB(A))	89,0 dB (A) 98,5 dB (A)
Hallásvédő eszköz használata ajánlott! Vibráció-információk Összesített rezgésértékek (három irány vektoriális összeg az EN 61029-nek megfelelően meghatározva. Fa fűrészelése: rezgésemisszió érték a _h K bizonytalanság	1,1 m/s ² 1,5 m/s ²



Mag

* PS \triangleq Gérvágófűrész

FIGYELMEZTETÉS!

A jelen utasításokban megadott rezgésszint értéke az EN 61029-ben szabályozott mérési eljárásnak megfelelően került lemerésre, és használható elektromos szerszámmal történő összehasonlításhoz. Az érték alkalmas a rezgésterhelés előzetes megbecsülésére is.

A megadott rezgésszint-érték az elektromos szerszám legfőbb alkalmazásait reprezentálja. Ha az elektromos szerszámot azonban más alkalmazásokhoz, eltérő használt szerszámmal vagy nem elegendő karbantartással használják, a rezgésszint értéke eltérő lehet. Ez jelentősen megnövelheti a rezgésterhelést a munkavégzés teljes időtartama alatt.

A rezgésterhelés pontos megbecsüléséhez azokat az időket is figyelembe kell venni, melyekben a készülék lekapcsolódik, vagy ugyan működik, azonban ténylegesen nincs használatban. Ez jelentősen csökkentheti a rezgésterhelést a munkavégzés teljes időtartama alatt.

Határozzon meg további biztonsági intézkedéseket a kezelő védelmére a rezgések hatása ellen, például: az elektromos és a használt szerszámok karbantartásával, a kezek melegen tartásával, a munkafolyamatok megszervezésével.

▲ FIGYELMEZTETÉS Olvasson el minden biztonsági útmutatást és utasítást. A következőkben leírt előírások betartásának elmulasztása áramütésekhez, tűzhöz és/vagy súlyos testi sérülésekhez vezethet.

Kérjük a későbbi használatra gondosan őrizze meg ezeket az előírásokat.

ÁLTALÁNOS BIZTONSÁGI ÚTMUTATÁSOK



FIGYELMEZTETÉS

Elektromos szerszámok használatakor az elektromos áramütés, sérülés- és tűzveszély elleni védelemhez figyelembe kell venni a következő alapvető biztonsági útmutatásokat.

Az elektromos szerszám használata előtt olvassa el ezeket az útmutatásokat, és jól őrizze meg azokat.

A munkaterület tartsa tisztán. A rendetlen munkahelyek és munkapadok növelik a balesetek és sérülések veszélyét.

Ügyeljen a munkaterület környezetére. A berendezést tilos nedves, vagy vizes környezetben használni és kitenni eső hatásának. A munkaterület legyen mindig jól megvilágítva. Gyúlékony folyadékok és gázok jelenlétében ne használjon szerszámokat.

Védekezzen az elektromos áramütés ellen. Kerülje testének érintkezését földelt alkatrészekkel, pl. csövekkel, fűtőtestekkel, tűzhelyekkel vagy hűtőszekrényekkel.

Más személyek ne tartózkodjanak a közelben. A munkában nem résztvevő személyeknek – különösen gyerekeknek – ne engedje, hogy hozzányúljanak a szerszámhoz vagy a hosszabbító vezetékhez, és ne engedje őket a munkaterület közelébe.

Tegye el a használaton kívüli szerszámokat. A használaton kívüli szerszámokat száraz, lehetőleg magasan fekvő, gyermekek által nem elérhető helyen, vagy hozzá nem férhető módon kell tárolni.

Soha ne terhelje túl a készüléket. Az adott munkához mindig megfelelő szerszámot használjon. A megfelelő elektromos szerszámmal jobban és biztonságosabban dolgozik a megadott teljesítménykorlátokon belül.

A megfelelő szerszámot használja. Ne erőltesse a kis szerszámokat ipari szerszámmal végezhető felvégzésére. Ne használja az elektromos szerszámot olyan célra, amelyre az nem való. Ne használjon például körfűrész faágak vagy fahasábok vágásához.

Viseljen megfelelő öltözetet. Ne viseljen bő ruhákat se ékszereket. A haját, ruháját és kesztyűjét tartsa biztonságos távolságban a mozgó alkatrészekről. Kültéri munkavégzéshez csúszásbiztos munkalábbelit ajánlunk. Hosszú haj esetén viseljen hajhálót.

Használjon védőfelszerelést. Használjon védőszemüveget. Használjon arcvédő vagy porvédő maszkot, ha a munkaműveletek porkepződéssel járnak.

Mindig csatlakoztasson porszivót. Ha lehetőség nyílik porszívó és porfogó felszerelése, győződjön meg róla, hogy azok csatlakoztatva lettek, és helyesen vannak használva.

Soha ne használja nem rendeltetészerűen a kábelt. A villásdugót soha ne a hálózati vezetéknel fogva húzza ki az aljzatból. A vezetéket tartsa hőtől, olajtól és éles szélektől távol.

Biztosítsa a munkadarabot. Használjon befogó eszközöket vagy satut a munkadarab rögzítéséhez. Így biztosabb a tartása, mint kézzel.

Ne hajtson ki túlságosan, és mindig őrizze meg egyensúlyát.

Gondosan végezze el a szerszámok karbantartását. A jobb és biztonságosabb teljesítmény érdekében a szerszámok mindig legyenek megélezve és megtisztítva. Tartsa be a kenésre és a szerszámcsereire vonatkozó útmutatásokat. Rendszeresen ellenőrizze az elektromos szerszám csatlakozó vezetékét, és annak sérülése esetén elismert szakemberrel cseréltesse ki azt. Rendszeresen ellenőrizze a hosszabbító vezetékeket, és cserélje ki őket, ha sérültek. A fogantyúkat tartsa szárazon, olajtól és zsírtól mentesen.

Válassa le a szerszámokat a hálózatról. A szerszámokat válassa le az erősáramú hálózatról, amikor nem használja azokat, vagy szervizelés előtt és a tartozékok – vágólapok, fűrésztrácsák, száraz és vágólapok – behelyezése során.

Vegye ki az állító kulcsokat és csavarkulcsokat. Alakítson ki olyan szokást, hogy a szerszám bekapcsolása előtt ellenőrizi, hogy az állító kulcsok és csavarkulcsok el vannak-e távolítva.

Előzze meg a készülék nemkívánatos bekapcsolását. Ügyeljen rá, hogy az akkumulátor behelyezésekor a kapcsoló „ki” (off) állásban legyen.

Kültéri hosszabbítót használjon. Ha elektromos szerszámmal dolgozik a szabadban, csak olyan hosszabbító kábelt használjon, amelynek kültéri használata megengedett, és ennek megfelelő jelöléssel rendelkezik.

Őrizze meg éberségét. Figyeljen oda arra, amit csinál, használja a józan ítélőképességét és ne használja a szerszámot, ha fáradt.

Használat előtt alaposan ellenőrizze, hogy nincs-e sérülés vagy anyagfáradás a szerszámon. Ellenőrizze a mozgó alkatrészek beállítását, a mozgó alkatrészek rögzítését, az alkatrészek esetleges törését, és szerszám működését befolyásoló minden más körülményt.

Ne használja a gépet, ha a védőburkolatok nincsenek a helyükön és nem működnek megfelelően.

A sérüléseket azonnal javíttassa meg arra jogosult szakműhelyben. Ne használja a szerszámot, ha a kapcsolóval nem lehet be- és kikapcsolni.

FIGYELMEZTÉS A jelen használati utasításban ajánlottaktól eltérő bármely más tartozék vagy toldat használata személyi sérülés kockázatával jár.

Elektromos szerszámát villamossági szakemberrel javíttassa meg. Ez az elektromos szerszám megfelel a vonatkozó biztonsági rendelkezéseknek. Javításokat csak villamossági szakember végezhet, melynek során eredeti alkatrészeket használandóak; egyéb esetben a felhasználó balesetet szenvedhet.



BIZTONSÁGI UTASÍTÁSOK A GÉRVÁGÓ FÜRÉSZ HASZNÁLATÁHOZ

Mindig biztonságosan és stabilan fogja be a munkadarabot.

Biztosítani kell, hogy a gép helyzete állandóan biztonságos legyen (pl. rögzítve legyen a munkapadon).

Viseljen hallásvédőt. A zaj hatása hallásvesztést okozhat.

Ha a gépen dolgozik, mindig hordjon védőszemüveget!

Fűrésztrácsák és durva anyagok kezelése során ajánlatos kesztyű viselése, valamint kemény csúszásmentes munkavédelmi lábbeli viselése, ami védi a lábfejet a vágási területről esetlegesen leeső munkadaraboktól.

A gépen végzett mindenemű beállítás, karbantartás vagy tisztítás elvégzése előtt húzza ki a villásdugót vagy vegye ki az akkumulátort.

Ügyeljen rá, hogy az akkumulátor behelyezése vagy kivétele előtt a gép legyen kikapcsolva.

Ne álljon a gép előtt a fűrésztrácsával egy vonalban.

Mindig a fűrésztrácsától oldalsó irányban álljon.

Kezét, ujjait és karját tartsa távol a forgó fűrésztrácsától.

Addig ne nyúljon a fűrésztrácsa közelében levő területre, amíg a fűrésztrácsa teljesen le nem állt.

Használat előtt alaposan ellenőrizze, hogy nincs-e sérülés vagy anyagfáradás a szerszámon. A sérült alkatrészeket csak szakemberrel javíttassa meg.

A készülék biztonságtechnikai felszereléseit feltétlenül használni kell. Ne használja a gépet, ha a védőburkolatok nincsenek a helyükön és nem működnek megfelelően.

Ne szorítsa be a forgórész védő csappantyút.

Ha a munkadarab vagy a fűrészlap beszorul, a gérvágó fűrész ki kell kapcsolni. Várja meg, míg minden mozgó alkatrész leáll, húzza ki a dugót az áramforrásból, és/vagy vegye ki az akkumulátorcsomagot. Ezután könnyedén eltávolíthatja a beszorult anyagot.

Soha ne módosítsa és ne alakítsa át a fűrész vagy annak működését. A biztonsága veszélybe kerülhet.

Ne használjon repedt, sérült vagy deformálódott fűrésztrácsát.

Ne használjanak gyorsacélból készült fűrészlapokat!

Csak éles fűrésztrácsát használjon. Az életlen fűrésztrácsákat cserélje újakra.

Fűrésztrácsa kezelése során használjon fűrésztrácsa-tartót vagy viseljen kesztyűt.

Mindig csak a helyes méretű és a készüléknek megfelelő rögzítő nyílással ellátott fűrészlapokat használjon.

Azok a fűrészlapok, amelyek nem illeszkednek hozzá a fűrész rögzítő alkatrészeihez, nem futnak körkörösén és ahhoz vezetnek, hogy a kezelő elveszti a készülék feletti uralmát.

Csak a jelen használati utasításban megjelölt, az EN 847-1 szabványnak megfelelő, fagegmunkálásra alkalmas fűrésztrácsát használjon.



Mag

Csak a mellékelt vagy a jelen használati utasításban megjelölt karimákat, alátéteket és anyacsavarokat használja a fűrészláncra rögzítésére.

Be kell tartani a fűrészlapon feltüntetett maximális fordulatszámot!

Váltsanak a vágni kívánt anyagnak megfelelő fűrészlapot!

A gérvágó fűrész soha ne használja a jelen használati utasítás rendeltetésszerű használatra vonatkozó fejezetében előírtaktól eltérő anyagok vágására.

Cserélje ki az asztalbetétet, ha kopott vagy sérült.

Munkavégzés előtt a motor bekapcsolása nélkül végezzen vágási mozdulatot a fűrészláncra pozicionálásának, a védőburkolatoknak a többi géppalkatréshoz és a munkadarabhoz képest történő működésének ellenőrzése érdekében.

Ha a gép jár és a fűrészfej nincs nyugalmi állapotban, nem szabad eltávolítani fűrészelési maradványokat vagy más munkadarabrészeket a fűrészelési tartományból.

A gép mozgását csak a szállító eszközöknél fogva végezze; a kezelését és mozgását soha ne végezze a védőburkolatoknál fogva.

A darabolófűrész a fogantyúján rögzített szállításbiztosítóval kell szállítani!

A padlót anyagmaradványoktól, pl. forgáctól és fűrészelési maradványoktól tisztán kell tartani.

A hosszú munkadarabokat alkalmas módon meg kell támasztani.

Nem szabad kör-, vagy szabálytalan keresztmetszetű munkadarabokat (pl. tűzifa) fűrészelni, mivel a fűrészéleskor nem lehet ezeket biztosan rögzíteni. Az élére állított lapos munkadarabok fűrészelésénél a biztos megvezetéshez egy megfelelő segédütközőt kell használni.

A munkavégzőkor keletkező por az egészségre ártalmas lehet. Ilyen esetben ajánlata a megfelelő elszívó berendezés és a védőmaszk használata. A munkaterületen lerakódott port alaposan el kell takarítani.

Fa vágásokor csatlakoztassa a fűrész láncporszívóval.

A LED-et vagy a lézert ne cserélje más típusúra. Mindennemű javítást csak a gyártó vagy a hivatalos szerviz végezhet.

Ne használjon olyan fűrészlapot, ami nem egyezik meg a használati útmutatóban feltüntetettekkel.

A szerszámokat csak arra alkalmas tartóban szállítsa és tárolja;

A gépben, a védőberendezésben vagy a fűrészlapokon jelentkező hibákat észlelésük után azonnal jelenteni kell a biztonságáért felelős személynek.

Gérvágás, ferdevágás vagy összetett vágások végrehajtásakor úgy állítsa be a gérvágó vezetőcsín, hogy biztosítsa a megfelelő hézagot a vágólaptól.

A megfelelő előtolási sebesség megválasztásával kerülje el a fűrészlap túlhevülését, valamint műanyagok vágásakor az anyag megolvadását.

FIGYELMEZTETÉS Ne cserélje ki a LED-et másikká.

FA VÁGÁSÁRA ALKALMAS FÜRÉSZLÁNCRA KÜLÖNLEGES BIZTONSÁGI TUDNIVALÓK

A fűrészlánc és a gép használata előtt körültekintően olvassa el a kézikönyvet és az utasításokat.

A gépnek jó állapotban kell lennie, a tengelynek mentesnek kell lennie deformálódásoktól és vibrációtól.

A fűrész ne használja a helyére illesztett védőburkolatok nélkül; a védőburkolatokat tartsa jó üzemi állapotban és megfelelően karban tartva.

Ügyeljen rá, hogy a kezelő megfelelő kiiktatásban részesüljön a biztonságági óvintézkedések, valamint a gép beállítása és üzemeltetése során.

A gép használata során mindig viseljen védőszemüveget és hallásvédő eszközt. Ajánlatos kesztyűt, kemény csúszásmentes lábbelit és kötényt viselni.

Mindennemű tartozék használata előtt nézzen utána a használati utasításban. Bármely tartozék szakszerűtlen használata károsodást okozhat és növeli a sérülés veszélyét.

Csak a jelen használati utasításban megjelölt, az EN 847-1 szabványának megfelelő fűrészláncot használjon.

Vegye figyelembe a fűrészláncán szereplő maximális fordulatszámot. Ügyeljen rá, hogy a fűrészláncán szereplő fordulatszám legalább egyenlő legyen a fűrészszerszámhoz megfelelő fordulatszámmal. Mindig csak a helyes méretű és a készüléknek megfelelő rögzítő nyílással ellátott fűrészlapokat használjon.

Azok a fűrészlapok, amelyek nem illeken hozzá a fűrész rögzítő alkatrészeihez, nem futnak körkörös és ahhoz vezetnek, hogy a kezelő elveszti a készülék feletti uralmát.

Ne használjon az ajánlottól nagyobb vagy kisebb átmérőjű fűrészláncot. A fűrészlánc tengelyre illesztéséhez ne használjon távtartókat.

Minden használat előtt ellenőrizze a fűrészlánc csúcsainak esetleges sérülését vagy rendellenes megjelenését. A sérült vagy lezavart csúcsok használat során elrepülhetnek és növelik a személyi sérülés veszélyét.

Tilos repedt vagy deformált fűrészlapot használni! Nem szabad sérült vagy deformálódott vágólapot használni.

Selejtezze le a fűrészláncot, ha sérült, deformálódott, eltorzult vagy repedt, mert a javítás nem megengedett.

Ne használjanak gyorsacélból készült fűrészlapokat!

Ügyeljen rá, hogy a fűrészlánc megfelelően legyen felhelyezve, és használat előtt húzza meg a rögzítő anyát (meghúzási nyomaték kb. 12 Nm).

A rögzítő csavart és anyákat megfelelő csavarkulcsokkal kell meghúzni.

A csavarkulcs hosszabbítása vagy kalapácsütésekkel történő meghúzás nem megengedett.

Ügyeljen rá, hogy a fűrészlánc és a karimák tiszták, és a perem hornyolt oldala érintkezzen a fűrészláncával.

Ügyeljen rá, hogy a fűrészlánc a helyes irányban forogjon.

Munkavégzés előtt a motor bekapcsolása nélkül végezzen vágási mozdulatot a fűrészláncra pozicionálásának, a védőburkolatoknak a többi géppalkatréshoz és a munkadarabhoz képest történő működésének ellenőrzése érdekében.

Soha ne hagyja a gépet felügyelet nélkül.

A fűrészlánc forgása közben ne tegyen kenőanyagot rá.

Ne végezzen tisztítást vagy karbantartási munkát, ha a gép még üzemben van és a fej még nincs nyugalmi állapotban.

Soha ne próbálja meg a mozgásban levő gépet a szerszám beszerítésével vagy más tárgynak a fűrészláncához szorításával megállítani, mert így akaratlanul is súlyos baleseteket okozhat.



Mag

Fűrésztárcsa cseréje vagy karbantartás elvégzése előtt válassza le a fűrészgépet a hálózatról vagy vegye ki az akkumulátort.

A fűrésztárcsa becsomagolását és kicsomagolását figyelmesen végezze, mert a fűrésztárcsa éles csúcsai könnyen sérülést okozhatnak.

Fűrésztárcsa kezelése során használjon fűrésztárcsa-tartót vagy viseljen kesztyűt.

A fűrésztárcsát az eredeti csomagolásában vagy más alkalmas csomagolásban tárolja, száraz körülmények között, vegyszerek től távol, mert ezek a fűrésztárcsa károsodását okozhatják.

KÜLÖNLEGES BIZTONSÁGI TUDNIVALÓK LÉZER

Az ebben a fűrészgépben alkalmazott lézer sugárzása 1. osztályba sorolt, maximálisan <1 mW teljesítményű és 650 nm hullámhosszú. Optikai eszközökkel ne nézzen bele közvetlenül. A szabályok megszegése súlyos személyi sérülést eredményezhet.

A gép működése közben ne erédzen bele a lézersugárba.

A lézersugarat ne irányítsa közvetlenül mások szemébe. Ez súlyos szemsérüléshez vezethet.

A lézert ne állítsa olyan helyzetbe, hogy mások szándékosan vagy véletlenül a lézersugárba nézhessenek.

Ne használjon optikai eszközöket a lézersugár nézésére.

Ne használja a lézert gyerekek közelében és gyerekeknek ne engedje a lézer működtetését.

Ne próbálja meg saját maga megjavítani a lézereszközt.

Ne próbálja meg saját maga kicserélni a lézereszköz egyetlen alkatrészét sem.

Mindenemű javítást csak a gyártó vagy a hivatalos szerviz végezhet.

FIGYELMEZTETÉS Sohase cserélje ki a készülékbe beépített lézert egy más típusú lézerezre.

A lézert nem szabad visszaverő felületre irányítani.

Ne tegye ki magát a lézersugárzásnak. A lézer erős sugárzást bocsáthat ki.

RENDELTETTESZERŰ HASZNÁLAT

A csúsztható motorral (és fűrésztárcsával) ellátott kombinált gérvágó fűrész furnirozott vagy furnír nélküli szilárd és ragasztott fa, műanyagok és a fához hasonló anyagok vágására szolgál.

A csúsztható motorral (és fűrésztárcsával) ellátott kombinált gérvágó fűrész olyan felöltött kezelő általi használatra szolgál, aki elolvasta a használati utasítást és tudomásul vette a kockázatokat és a veszélyeket.

A csúsztható motorral (és fűrésztárcsával) ellátott kombinált gérvágó fűrész úgy van kialakítva, hogy a gépalapnál fogva szilárd munkapadhoz kell rögzíteni. Ha a gépalap nincs stabilan rögzítve, akkor a gép a vágási művelet során elmozdulhat, ami növeli a súlyos személyi sérülés lehetőségét.

A csúsztható motorral (és fűrésztárcsával) ellátott kombinált gérvágó fűrész ferde és félderékszögű vágásra van kialakítva. Az egyes vágások lehetőségei a jelen használati utasításban a termék műszaki adatai között szerepel.

A csúsztható motorral (és fűrésztárcsával) ellátott kombinált gérvágó fűrész száraz körülmények között, kiváló környezeti megvilágítás és megfelelő szellőzés mellett szabad használni.

A csúsztható motorral (és fűrésztárcsával) ellátott kombinált gérvágó fűrész házi használatra készült, és csak a fent leírt módon használható, más célra nem használható.

FENNMARADÓ VESZÉLYEK

Még akkor sem lehet teljesen kizárni egyes kockázati tényezőket, ha a csúsztható motorral (és fűrésztárcsával) ellátott kombinált gérvágó fűrész az előírásoknak megfelelően használja. Az alábbi veszélyek felléphetnek és a kezelőnek különös figyelmet kell fordítania az alábbiak elkerülésére:

- A forgó fűrésztárcsa fedetlen forgó részeivel való érintkezés kockázata.
- A nem megfelelő beállítás vagy kezelés miatt munkadarabok visszazugása vagy munkadarabok részeinek visszapattanása.
- A fűrésztárcsáról lerepülő karbidcsúcsok. Mindenkor viseljen szemvédő eszközt.
- Légzőrendszer károsodása. Viseljen a megmunkált anyagnak megfelelő szűrővel ellátott légzésvédő maszkot. Biztosítsa a munkahelyi szellőzését. A munkaterületen ne étkezzen, ne igyon és ne dohányozzon.
- Halláskárosodás, ha nem visel hatékony hallásvédő eszközt.

FIGYELMEZTETÉS Egyes festékekből, bevonatokból és anyagokból származó por irritációt vagy allergias reakciókat okozhat. Fából – tölgy, bükk, MDF-lapok és mások – származó por rákkeltő. Azbeszt tartalmú anyagokat csak szakképzett speciális kezelők munkálhatnak meg vagy dolgozhatnak fel.

FIGYELMEZTETÉS Adott szerszám hosszabb idejű vagy halmozódó használata sérüléseket okozhat. Ügyeljen rá, hogy rendszeresen szüneteket tartson, ha bármely szerszámot hosszabb ideig használ.

AKKUK

A hosszabb ideig üzemben kívül lévő akkumulátort használat előtt ismételtelen fel kell tölteni.

50°C feletti hőmérsékletnél csökkenhet az akkumulátor teljesítménye. Kerülje kell a túlzottan meleg helyen vagy napon történő hosszabb idejű tárolást.

A töltő és az akkumulátor csatlakozóit mindig tisztán kell tartani.

Az optimális élettartam érdekében használat után az akkukat teljesen fel kell tölteni.

A lehetőleg hosszú élettartamhoz az akkukat feltöltés után ki kell venni a töltőkészületről.

Az akku 30 napot meghaladó tárolása esetén: Az akkut kb. 27 °C-on, száraz helyen kell tárolni. Az akkut kb. 30-50%-os töltöttségi állapotban kell tárolni. Az akkut 6 havonta újra fel kell tölteni.

Akkumulátor sav folyhat a sérült akkumulátorból extrém terhelés alatt, vagy extrém hő miatt. Ha az akkumulátor sav a bőrére kerül azonnal mossa meg szappanos vízzel. Szembe kerülés esetén folyóvíz alatt tartsa a szemét minimum 10 percig és azonnal forduljon orvoshoz.

Az akkumulátort ne tárolja együtt fém tárgyakkal. (Rövidzárlat veszélye).

A használt akkumulátort ne dobja tűzbe vagy a háztartási szemétkbe. Tájékozódjon a szakszerű megsemmisítés helyi lehetőségeiről.

AKKUMULÁTOR ÉS TÖLTŐ

Kompatibilis akkumulátor (nincs mellélvele): System GBS

Kompatibilis töltő(nincs mellélvele): System GBS

Az GBS elnevezésű rendszerhez tartozó akkumulátorokat kizárólag a rendszerhez tartozó töltővel töltsse fel. Ne használjon más rendszerbe tartozó töltőt.

LÍTIUM-ION AKKUK SZÁLLÍTÁSA

A lítium-ion akkuk a veszélyes áruk szállítására vonatkozó törvényi rendelkezések hatálya alá tartoznak.



Mag

Az ilyen akkuk szállításának a helyi, országos és nemzetközi előírások és rendelkezések betartása mellett kell történnie.

A fogyasztók minden további nélkül szállíthatják az ilyen akkukat közúton.

A lítium-ion akkuk szállítmányozási vállalatok általi kereskedelmi célú szállítására a veszélyes áruk szállítására vonatkozó rendelkezések érvényesek. A kiszállítás előkészítését és a szállítást kizárólag megfelelő képzettségű személyek végezhetik. A teljes folyamatnak szakmai felügyelet alatt kell történnie.

A következő pontokat kell figyelembe venni akkuk szállításakor:

Biztosítsa, hogy a rövidzárlatok elkerülése érdekében az érintkezők védve és szigetelve legyenek. Ügyeljen arra, hogy az akkusomag ne tudjon elcsúszni a csomagoláson belül. Tilos sérült vagy kifolyt akkukat szállítani. További útmutatásokért forduljon szállítványozási vállalatához.

AZ AKKUMULÁTOR TÚLTERHELÉS ELLENI VÉDELME

Az akku nagyon nagy áramfelhasználása következtében fellépő túlterhelése esetén - pl. rendkívül magas forgatónyomatékok, a fúró megszorulása, hirtelen leállás vagy rövidzárlat miatt – az elektromos szerszám 5 másodpercen keresztül vibrál, a töltéskijelző villog és az elektromos szerszám magától kikapcsol.

Az újbóli bekapcsoláshoz engedje el a nyomókapcsolót, majd kapcsolja be ismét.

Rendkívüli terheléseknél az akku túlságosan felmelegszik. Ebben az esetben a töltéskijelző minden lámpája addig villog, amíg az akku le nem hűl. Ha a töltéskijelző kialszik, utána tovább lehet dolgozni.

Az ismételt feltöltéshez és aktiváláshoz ekkor dugja az akkut a töltőkészülékbe.

KARBANTARTÁS

A fűrészt semmilyen módon ne módosítsa és ne használjon a gyártó által jóvá nem hagyott tartozékokat. Az ön és mások biztonsága veszélybe kerülhet.

Ne használja a fűrészt, ha bármely kapcsolója, védőburkolata vagy a fűrészs más funkciója nem működik rendeltetésszerűen. Juttassa vissza hivatalos szervizbe szakszerű javítás vagy beállítás céljából.

Ne végezzen semminemű beállítást, amíg a fűrésztárcsa mozgásban van.

Vegye ki az akkumulátort, mielőtt beállításokat vagy kenést, vagy karbantartást végez a gépen.

Minden használat előtt és után ellenőrizze a fűrészs esetleges károsodását vagy törött alkatrészeit, és a gyártó által jóváhagyott pótalkatrészekkel végzett azonnal cserével tartsa kiváló üzemi állapotban azt.

Használat után a fűrésztárcsa nagyon forró, ezért karbantartás vagy tisztítási eljárás előtt viseljen kesztyűt vagy hagyja lehűlni. Kéfével vagy porszívóval tisztítsa le a felgyülemllett port. Ne használjon sűrített levegőt.

A biztonság és a megbízhatóság biztosítása érdekében minden javítást – ide értve szénkéfék cseréjét is – hivatalos szerviznek kell végeznie.

A fűrészlappal felhelyezése és eltávolítása előtt ügyeljen arra, hogy kihúzza a szerszámot az elektromos hálózathoz.

A készüléket és a védőeszközt száraz kendővel tisztítsa.

A készülék szellőzőnyílásait mindig tisztán kell tartani.

PÓTALKATRÉSZEK

Javításhoz, karbantáráshoz kizárólag AEG alkatrészeket és tartozékokat szabad használni. A készülék azon részeinek cseréjét, amit a kezelési útmutató nem engedélyez, kizárólag a javításra feljogosított márkaszerviz végezheti. (Lásd a szervizlistát)

Szükség esetén a készülékek robbantott ábráját - a készülék típusa és azonosító száma alapján a területileg illetékes Milwaukee márkaszerviztől vagy közvetlenül a gyártótól (Techtronic Industries GmbH, Max-Eyth-Straße 10, 71364 Winnenden, Germany) lehet kérni.

CE-AZONOSSÁGI NYILATKOZAT

Kizárólagos felelősségünk alapján kijelentjük, hogy a „Műszaki adatok” fejezetben leírt termék megfelel a irányelvek összes vonatkozó rendelkezésének

2011/65/EU

2006/42/EK

2014/30/EU

harmonizált szabvány és a

EN 61029-1:2009 + A11:2010

EN 61029-2-9:2012 + A11:2013

EN 55014-1:2006+A1:2009+A2:2011

EN 55014-2: 1997+A1:2001+A2:2008

EN 50581:2012



Winnenden, 2016-12-02

Alexander Krug / Managing Director
Műszaki dokumentáció összeállításra felhatalmazva
Techtronic Industries GmbH
Max-Eyth-Straße 10, 71364 Winnenden, Germany

SZIMBÓLUMOK



FIGYELEM! FIGYELMEZTETÉS! VESZÉLY!



Karbantartás, javítás, tisztítás, stb. előtt az akkumulátort ki kell venni a készülékből.



Kérjük alaposan olvassa el a tájékoztatót mielőtt a gépet használja.



Munkavégzés közben ajánlatos védőszemüveget viselni.



Hallásvédő eszköz használata ajánlott!



Hordjon védőkesztyűt!



Nyissa ki a csavart / Forgásirány



A kezeknek soha nem szabad a fűrészlappal tartományába kerülniük.



A készülék kizárólag zárt térben történő használatra alkalmas és semmiképpen sem szabad esőnek kitenni.

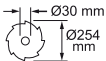




Tilos a lézersugárba nézni.



This product corresponds to the laser class 1 in accordance with EN 60825-1:2014.



Fűrészlap átmérő x lyukátmérő



Forgásirány



penge fogai



Vágás szélesség



Az elektromos eszközöket nem szabad a háztartási hulladékkal együtt ártalmatlanítani. Az elektromos és elektronikus eszközöket szelektíven kell gyűjteni, és azokat környezetbarát ártalmatlanítás céljából hulladékhasznosító üzemben kell leadni. A helyi hatóságoknál vagy szakkereskedőjénél tájékozódjon a hulladékudvarokról és gyűjtőhelyekről.



CE-jelölés



UkrSEPRO megfelelőségi jelzés.



Eurázsiai megfelelőségi jelzés.

TEHNIČNI PODATKI	BPS18-254BL
Potezna žaga *	
Proizvodna številka	4601 74 01... ... 000001-999999
Napetost izmenljivega akumulatorja	18 V
Število vrtljajev v prostem teku	3900 min ⁻¹
List žage ø x vrtni ø	254 x 30 mm
Debelina rezila žage	1,6 mm
Debelina zobcev na rezilu žage	2,2 mm
Maksimalna jakost reza	
Jeralni kot vodoravno 0° / Jeralni kot navpično 0°	90 mm x 305 mm
Jeralni kot vodoravno 0° / Jeralni kot navpično 45° ↘	39 mm x 305 mm
Jeralni kot vodoravno 0° / Jeralni kot navpično 45° ↗	43 mm x 305 mm
Jeralni kot vodoravno ↘ 45° / Jeralni kot navpično 0°	90 mm x 215 mm
Jeralni kot vodoravno ↗ 45° / Jeralni kot navpično 0°	50 mm x 215 mm
Jeralni kot vodoravno 45° / Jeralni kot navpično 45° ↘	39 mm x 215 mm
Jeralni kot vodoravno 45° / Jeralni kot navpično 45° ↗	43 mm x 215 mm
Minimalna izmere obdelovalnega kosa	215 x 35 x 2,5 mm
Teža po EPTA-proceduri 01/2003 (Li-Ion 5.0 Ah)	16,3 kg
Informacije o hrupnosti	
Vrednosti merjenja ugotovljene ustrezno z EN 61029. Raven hrupnosti naprave ovrednotena z A, znaša tipično:	
Nivo zvočnega tlaka (Nevarnost K=3dB(A))	89,0 dB (A)
Višina zvočnega tlaka (Nevarnost K=3dB(A))	98,5 dB (A)
Nosite zaščito za sluh!	
Informacije o vibracijah	
Skupna vibracijska vrednost (Vektorska vsota treh smerdoločena ustrezno EN 61029.)	
Žaganje lesa: Vibracijska vrednost emisij a _h	1,1 m/s ²
Nevarnost K=	1,5 m/s ²

* PS ≙ Potezna žaga

OPOZORILO!

V teh navodilih navedena raven tresljajev je bila izmerjena po EN61029 normiranem merilnem postopku in lahko služi medsebojni primerjavi električnih orodij. Prav tako je primeren za predhodno oceno obremenitve s tresljaji.

Navedena raven tresljajev navaja najpomembnejše vrste rabe električnega orodja. Kadar se električno orodje uporablja za drugačne namene, z odstopajočimi orodji ali pa z nezadostnim vzdrževanjem, lahko raven tresljajev tudi odstopa. Le to lahko čez celoten delovni čas znatno zviša obremenitev s tresenjem.

Za natančno oceno obremenitve s tresljaji naj bi se upošteval tudi čas v katerem je naprava izklopljena ali sicer teče, vendar dejansko ni v rabi. Le to lahko obremenitev s tresljaji čez celoten delovni čas znatno zmanjša.

Za zaščito upravljalca pred učinkom tresljajev uvedite dodatne zaščitne ukrepe npr.: Vzdrževanje električnega orodja in orodja, delo s toplimi rokami, organizacija delovnih potekov.

⚠ OPOZORILO Preberite vsa varnostna opozorila in navodila. Napake zaradi neupoštevanja spodaj navedenih opozoril in napatil lahko povzročijo električni udar, požar in/ali težke telesne poškodbe.

Vsa opozorila in napatila shranite, ker jih boste v prihodnje še potrebovali.

SPLOŠNA VARNOSTNA NAVODILA

⚠ OPOZORILO

Pri uporabi električnih orodij je za zaščito pred električnim udarom, nevarnostjo poškodb in požara, potrebno upoštevati osnovne varnostne ukrepe. Pred uporabo tega električnega orodja preberite vsa opozorila in varnostna opozorila dobro shranite.

Delovno območje naj bo vedno čisto. Neurejena delovna mesta in delovne mize zvišujejo nevarnost nesreč in poškodb.

Preglejte delovno območje. Naprave ne izpostavljajte na dežju in je ne uporabljajte v vlažnem ali mokrem okolju. Delovno območje naj bo vedno dobro osvetljeno. Orodja ne uporabljajte blizu vnetljivih tekočin ali plinov.

Zaščitite se pred električnim udarom. Izogibajte se telesnemu stiku z ozemljenimi deli, kot so cevi, grelna telesa, pečice ali hladilniki.

Tretjih oseb ne spuščajte zraven. Tretje osebe, predvsem otroci, orodja ne smejo uporabljati ter se orodja in podaljševalnega kabla ne smejo dotikati; zadrževati se morajo zunaj delovnega območja.

Orodje, ki ga ne uporabljate, shranite. Orodja, ki niso v uporabi je potrebno shranjevati ali nedostopno hraniti na suhem, po možnosti visoko ležečem mestu, izven dosega otrok.

Ne preobremenjujte naprave. Za vsako delo uporabljajte ustrezno električno napravo. S primerno napravo in ustrezno zmogljivostjo boste delo opravili bolje, hitreje in varneje.

Uporabite ustrezno orodje. Z malimi orodji ne opravljajte del, ki so predvidena za večja orodja. Električni alat nemojte koristiti u



Slo

svrhe za koje nije predviđen. Ne uporabljajte npr. ročne krožne žage za rezanje drevesnih vej ali lesenih pilen.

Uporabljajte primerno delovno obleko. Ne nosite preširoke obleke ali nakita. Lase, obleko in rokavice imejte v varni razdalji od gibljivih delov naprave. Za dela v zunanjih območjih pripravite primerno protizdrsko delovno obutev. V primeru dolgih las nosite mrežico za lase.

Uporabite zaščitno opremo. Uporabite zaščitna očala. Če pri delu nastaja prah, nosite obrazno ali protiprašno masko.

Vselej priključite sesalnik za prah. Če naprava omogoča montažo sesalca in lovilca prahu se prepričajte, če so pravilno priključeni, da se lahko ustrezno uporabijo.

Ne uporabljajte kabla v neskladju z njegovim namenom. Vtiča nikoli ne vlečite iz vtičnice za napajalni kabel. Kabel hranite stran od vročine, olja ali ostrih robov.

Zavarujte obdelovanec. Za držanje obdelovanca uporabljajte vpenjalne priprave ali prirež. Z njimi se drži varneje kot z roko.

Ne nagibajte se predaleč ven in držite ves čas navrtneže.

Orodja skrbno vzdržujte. Za boljše in varnejše delovanje naj bodo rezalna orodja ostra in čista. Sledite varnostnim navodilom za mazanje in menjavo orodja. Redno preverjajte priključno napeljavo električnega orodja in jo v primeru poškodbe dajte popraviti priznanemu strokovnjaku. Redno preverjajte napeljavo podaljškov in ji nadomestite, v kolikor je poškodovana. Držala ohranjajte suha, čista in olj ali masti prosta.

Odklopite orodja. Kadar orodja ne uporabljate oz. pred servisiranjem in ob menjavi dodatnih delov (kot so rezila, svedri ipd.), orodja odklopite iz napajanja.

Odstranite nastavljive ključe in ključe. Pred vklopom orodja vedno preverite, da so ključi in nastavljivi ključi odstranjeni iz orodja.

Preprečite slučajen vklop naprave. Pri nameščanju baterije, se prepričajte, da je stikalo v položaju »off«.

Uporabljajte podaljške za zunanjo uporabo. Kadar z električnim orodjem delate na prostem, uporabljajte zgolj podaljške, ki so za zunanja območja dopuščeni in temu primerno označeni.

Bodite pozorni. Spremljajte potek dela, uporabljajte zdrav razum in orodja ne uporabljajte, ko ste utrujeni.

Pred uporabo temeljito preglejte orodje za kakršnokoli škodo ali utrujenost materiala. Preverite nastavitve premikajočih se delov, njihove povezave, morebitne lome, namestitve in druge pogoje, ki bi lahko vplivali na delovanje naprave.

Če varovala niso na mestu in ne delujejo pravilno, stroja ne uporabljajte.

Poškodbe dajte takoj popraviti v avtoriziranemu strokovnemu obratu. Orodja ne uporabljajte, če ga ne morete vklopiti ali izklopiti s stikalom.

OPOZORILO Uporaba katerikoli dodatkov ali priključkov, ki niso priporočeni v teh navodilih za uporabo, lahko predstavlja tveganje za osebne poškodbe.

Vaše električno orodje dajte v popravilo elektro strokovnjaku. To električno orodje ustreza zadevnim varnostnim določbam. Popravila se lahko izvajajo zgolj s strano elektro strokovnjaka, tako da se uporabijo originalni nadomestni deli; sicer lahko pride do nesreče uporabnika.

VARNOSTNA NAVODILA ZA ZAJERALNE ŽAGE

Obdelovanca vedno varno in zanesljivo vpnite.

Zagotovite, da bo stroj zmeraj stal varno (npr. pritrditvev na pult)..

Nosite zaščito za sluh. Hrup lahko povzroči izgubo sluha.

Pri delu s strojem vedno nosite zaščitna očala. Pri rokovanju z rezilom ali grobim materialom nosite rokavice in vzdržljive nedrseče čevlje za zaščito stopal pred obdelovanci, ki lahko padejo iz območja rezanja.

Pred vsakimi nastavitvami, vzdrževanjem in čiščenjem stroja, vedno odstranite vtič ali baterije.

Pred namestitvijo ali odstranitvijo baterije, se prepričajte, da je naprava izklopljena.

Ne stojte vzporedno z rezilom na sprednjem delu naprave.

Vedno stojte stran od žaginega lista.

Dlani, prste in roke držite stran od vrtečega se žaginega lista.

Nikoli ne segajte v območje in bližini rezila, razen če je rezilo popolnoma ustavljeno.

Pred uporabo temeljito preglejte orodje za kakršnokoli škodo ali utrujenost materiala. Poškodovane dele damo v popravilo zgolj strokovnjaku.

Brezpogojno uporabljajte zaščitne priprave stroja. Če varovala niso na mestu in ne delujejo pravilno, stroja ne uporabljajte.

Nihajni zaščitni pokrov v odprtem stanju ne sme biti fiksiran.

Če se obdelovanec ali rezilo zagozdi, ugasnite zajeralno žago.

Počakajte, da se vsi gibljivi deli ustavijo in iztaknite vtič iz vira napajanja in/ali odstranite baterijski sklop. Potem odstranite zagozdeni material.

Nikoli ne spreminjati ali predelovati žage ali njene funkcije. Vaša varnost je lahko ogrožena.

Ne uporabljajte žaginih listov, ki so razpokani, poškodovani ali deformirani.

Ne uporabljajte žaginih listov izdelanih iz hitroreznega jekla.

Uporabljajte samo ostre žagine liste. Topa rezila zamenjajte z novimi.

Pri rokovanju z rezilom uporabite držalo ali nosite rokavice.

Vedno uporabljajte žagine liste pravilne velikosti, ki se prilagajajo obliki prijemalne prirobnice.

Žagini listi, ki se ne ujemajo z montažnimi deli žage, se vrtijo neenakomerno in povzročijo izgubo nadzora nad napravo.

Uporabljajte le rezila, ki so določena v teh navodilih in so v skladu z EN 847-1.

Za pritrditve žaginega lista ne uporabljajte prirobnic, podložkov in matic, ki niso priložene ali navedene v priložniku za uporabo.

Ravnati se je potrebno glede na največjo dovoljeno število vrtljajev navedeno na žaginem listu.

Izberite rezanemu materialu ustrezen žagin list.

Zajeralne žage ne uporabljajte za rezanje materialov, ki niso navedeni v relevantnem odstavku tega priložnika.

Če je mizni vstavek obrabljen ali poškodovan, ga zamenjajte.

Pred delom, z izklopljenim motorjem izvedite simulirani rez, tako da lahko preverite položaj rezila, delovanje varoval v povezavi z drugimi strojnimi deli in namestitvev obdelovanca.

Kadar stroj obratuje in kadar glava žage ni v stanju mirovanja, iz območja žaganja ne odstranjujte nobenih ostankov žaganja ali drugih delov obdelovancev.

Pri prevažanju stroja uporabljajte samo prevozne naprave in nikoli ne uporabljajte varoval za ravnanje ali prevoz.

Nihalno žago transportiramo samo z zaskočenim transportnim varovalom na prijemalu.

Tla ohranjajte ostankov materiala npr. odrezkov in ostankov žaganja prosta.

Dolge obdelovance je potrebno podpreti.

Obdelovanci z okroglim ali neenakomernim prerezom (npr. drva) ni dovoljeno žagati, saj jih med žaganjem ni mogoče varno držati. Pri pokončnem žaganju ploskih obdelovancev je potrebno za varno vodenje uporabiti primeren pomožni naslon.

Prah, ki nastaja pri delu, je pogosto zdravju škodljiv in naj ne zaide v telo. Uporabljajte odsesavanje prahu in dodatno nosite primerno masko za zaščito proti prahu. Prah, ki se usede, temeljito očistite, npr. posesajte.

Pri žaganju lesa, priključite žago na sesalec za prah.

LED diod ali laserja ne zamenjajte z drugo vrsto. Popravila lahko izvede samo proizvajalec ali pooblaščen servisier.

Listi za žago, ki ne odgovarjajo podatkom o značilnosti v tem navodilu za uporabo, se ne smejo uporabiti.

Orodje transportirajte in hranite v primerni pripravi za prenašanje;

Napake, ki nastopijo na napravi, vključno z varnostno pripravo ali žaginimi listi, je po odkritju potrebno takoj javiti odgovorni osebi za varnost.

Med izvajanjem zajeralnih, stožastih ali sestavljenih zajeralnih rezov, nastavite drsno ograjo, da zagotovite ustrezno razdaljo od rezila.

S primerno hitrostjo podajanja se izogibajte pregrevanju zob žaginega lista in pri rezanju umetnih mas taljenju materiala.

OPOZORILO LED ne nadomeščajte z drugo.

REZILLO ZA LES SPECIALNI VARNOSTNI NAPOTKI

Pred uporabo žaginega lista in stroja pazorno preberite priročnik in navodila.

Stroj mora biti v dobrem stanju, os brez deformacij in vibracij.

Žage ne uporabljajte, če varovala niso v pravilnem položaju, dobrem stanju in ustrezno vzdrževana.

Poskrbite, da je upravljavec ustrezno usposobljen za varnostne ukrepe, namestitve in delovanje stroja.

Pri uporabi stroja vedno nosite zaščitna očala in zaščito za ušesa. Priporočljiva je uporaba rokavic, vzdržljivih nadržanih čevljev in predpasnika.

Pred uporabo kakršne koli dodatne opreme, preberite priročnik z navodili. Nepravilna uporaba dodatne opreme lahko povzroči škodo in poveča možnosti za poškodbe.

Uporabljajte le rezila, ki so določena v tem priročniku in so v skladu z EN 847-1.

Upošteвайте največjo hitrost, označeno na žaginem listu. Prepričajte se, da je hitrost, označena na žaginem listu enaka ali večja hitrosti označeni na žagi.

Vedno uporabljajte žagine liste pravilne velikosti, ki se prilagodijo obliki prijemalne prirobnice.

Žagini listi, ki se ne ujemajo z montažnimi deli žage, se vrtijo neenakomerno in povzročijo izgubo nadzora nad napravo.

Ne uporabljajte rezil s premerom večjim ali manjšim od priporočenega. Za nameščanje rezila na os ne uporabljajte distančnikov.

Pred usako uporabo, preverite konice žaginega lista, da niso poškodovane ali nenormalnega videza. Konice, ki so poškodovane ali ohlapne lahko med uporabo postanejo leteči predmetu in povečajo možnost telesnih poškodb.

Napokani listi žage in taki, ki so spremenili svojo obliko, se ne smejo uporabljati! Ne uporabljajte žaginih listov, ki so poškodovani ali deformirani.

Zavrzite žagin list, ki je poškodovan, deformiran, izkrivljen ali razpokan. Popravilo ni dovoljeno.

Ne uporabljajte žaginih listov izdelanih iz hitroreznega jekla.

Pred uporabo se prepričajte, da je žagin list pravilno nameščen in privijte matico osi (navor zategovanja pribl. 12 Nm).

Pritrdilni vijak in matice morajo biti priviti z uporabo ustreznega ključa, itd.

Podaljšanje ključa ali zategovanje z uporabo klavida ni dovoljeno.

Prepričajte se, da so vsa rezila in prirobnice čisti ter da so utori prirobnice usmerjeni proti rezilu.

Prepričajte se, da se rezilo vrti v pravi smeri.

Pred delom izvedite navidezni rez z izklopljenim motorjem, tako da lahko preverite položaj rezila, delovanje varoval v povezavi z drugimi strojnimi deli in obdelovanca.

Nikoli ne pustite stroja brez nadzora.

Na rezilo ne nanašajte maziva, ko je le-to v teku.

Če je stroj še vedno v teku in če glava ni v položaju mirovanja, ne izvajajte kakršnegakoli čiščenja ali vzdrževalnih del.

Nikoli ne poskušajte stroja med delovanjem ustaviti na hitro tako, da rezilo blokirate z drugim pripomočkom ali sredstvom, saj lahko pride do hudih nesreč.

Pred zamenjavo rezila ali postopki vzdrževanja, žago odklopite iz električnega omrežja ali odstranite baterijo.

Bodite pozorni ob pakiranju in razpakiranju rezila, saj se zaradi ostrih konic rezila lahko hitro poškodujete.

Pri rokovanju z rezilom uporabite držalo ali nosite rokavice.

Rezilo hranite v originalni embalaži ali drugi ustrezni embalaži, v suhem prostoru in stran od kemikalij, ki lahko poškodujejo rezilo.

SPECIALNI VARNOSTNI NAPOTKI LASER

Lasersko sevanje, uporabljeno pri tej žagi je Razreda 1 z največ $<1\text{mW}$ in 650nm valovne dolžine. Z optičnimi instrumenti ne glejte direktno. Neupoštevanje pravil lahko povzroči hude telesne poškodbe.

Med delovanjem ne glejte v žarek.

Laserskega žarka ne usmerjajte neposredno v oči drugih. Lahko povzročijo resne poškodbe oči.

Laserja ne postavljajte v položaju, ki lahko povzroči, da kdorkoli gleda v laserski žarek namerno ali nenamerno.

Za gledanje laserskega žarka ne uporabljajte optičnih orodij.

Laserja ne uporabljajte v prisotnosti otrok in le-tem ne dovolite upravljanja z laserjem.

Ne poskušajte sami popravljati laserske naprave.

Ne poskušajte sami zamenjati delov laserske naprave.

Popravila lahko izvede samo proizvajalec ali pooblaščen servisier.

OPOZORILO Laserskega žarka ne usmerjajte na osebe ali živali in sami ne glejte v laserski žarek.

Laserja ne usmerjajte v reflektirajoče površine.

Izogibajte se izpostavljanju laserskega žarčenja. Laser lahko oddaja močno žarčenje.



UPORABA V SKLADU Z NAMEMBOSTJO

Potezna krožna žaga je namenjena žaganju trdnega in lepljenega lesa z ali brez lepljenim furnirjem, plastiko in materialom, podobnim lesu.

Potezno krožno žago lahko uporabljajo le odrasle osebe, ki so prebrale priročnik za uporabo in razumejo tveganja in nevarnosti.

Potezna krožna žaga mora biti pritrjena na zgornjo ploščev trdne klopi. Če baza ni dobro pritrjena, se lahko celoten stroj med rezanjem premakne, kar povečuje možnost hudih telesnih poškodb.

Potezna krožna žaga je zasnovana za poševne in zajeralne reze. Zmogljivosti za različne vrste rezov so podane v specifikacijah proizvodov v tem priročniku.

Potezna krožna žaga se uporablja v suhih pogojih, pri odlični osvetlitvi prostora in ob ustreznem prežračevanju.

Potezna krožna žaga je namenjena za potrošniško uporabo in jo je treba uporabljati le kot je opisano zgoraj ter ni predvidena za noben drug namen.



PREOSTALE NEVARNOSTI

Tudi pri uporabi potezne krožne žage, kot je predpisano, je še vedno nemogoče popolnoma odpraviti nekatere preostale dejavnike tveganja. Pojavijo se lahko naslednje nevarnosti in upravljalavec mora biti posebej pozoren, da se prepreči naslednje:

- Tveganje stika z nepokritimi deli vrtečega se žaginega lista.
- Odskok obdelovancev ali delov obdelovancev zaradi nepravilne namestitve ali ravnanja.
- Izvrženje okvarjenih karbidovih konic iz žaginega lista. Vedno nosite zaščito za oči.
- Poškodbe dihal. Nosite maske za zaščito dihal, ki vsebujejo filtre, primerne za material, ki ga obdelujete. Poskrbite za zadostno prežračevanje na delovnem mestu. V delovnem območju ne jesti, piti in ne kaditi.
- Ob ne uporabi učinkovite zaščite so možne poškodbe sluha.

OPAZORILLO Prah nekaterih barv, premazov in materialov lahko povzroči draženje ali alergijske reakcije. Prah lesa, kot je hrast, buke, vlaknene plošče srednje gostote in drugih, je rakotvoren. Materiale, ki vsebujejo azbest, lahko obdelujejo ali predelujejo samo usposobljeni specializirani izvajalci.

OPAZORILLO Dolgotrajna uporaba orodja lahko povzroči poškodbe. Če uporabljate orodje za dlje časa, poskrbite za redne premore.

AKUMULATORJI

Izmenljive akumulatorje, ki jih daljši čas niste uporabljali, pred uporabo naknadno napolnite.

Temperatura nad 50°C zmanjšuje zmogljivost izmenljivega akumulatorja. Izogibajte se daljšemu segrevanju zaradi sončnih žarkov ali gretja.

Pazite, da ostanete priključni kontakti na polnilnem aparatu in izmenljivem akumulatorju čisti.

za optimalno življenjsko dobo je potrebno akumulatorje po uporabi do konca napolniti.

Za čim daljšo življenjsko dobo naj se akumulatorji po napolnitvi vzamejo ven iz naprave za polnjenje.

Pri skladiščenju akumulatorjev dalj kot 30 dni: Akumulator skladiščiti pri 27°C in na suhem. Akumulator skladiščiti pri 30%-50% stanja polnjenja. Akumulator spet napolniti vsakih 6 mesecev.

Pod ekstremno obremenitvijo ali ob ekstremni temperaturi iz poškodovanega izmenljivega akumulatorja lahko izteka akumulatorska tekočina. Po stiku z akumulatorsko tekočino prizadeto mesto

takoj izperite z vodo in milom. Po stiku z očmi takoj najmanj 10 minut dolgo temeljito izpirajte in nemudoma obiščite zdravnika. Izmenljivih akumulatorjev ne hranite skupaj s kovinskimi predmeti (nevarnost kratkega stika).

Izrabljenih izmenljivih akumulatorjev ne mečite v ogenj ali v gospodinjске odpadke. AEG nudi okolju prijazno odlaganje starih izmenljivih akumulatorjev; prosimo povprašajte vašega strokovnega trgovca.

BATERIJA IN POLNILNIK

Združljiv baterijski sklop (ni vključen): System GBS

Združljiv polnilnik (ni vključen): System GBS

Izmenljive akumulatorje sistema GBS polnite samo s polnilnimi aparati sistema GBS. Ne polnite nobenih akumulatorjev iz drugih sistemov.

TRANSPORT LITIJ-IONSkih AKUMULATORJEV

Litij-ionski akumulatorji so podvrženi zakonskim določbam transporta nevarnih snovi.

Transport teh akumulatorjev se mora izvajati upoštevajoč lokalne, nacionalne in mednarodne predpise in določbe.

Potrošniki lahko te akumulatorje še nadalje transportirajo po cesti.

Komercialni transport litij-ionskih akumulatorjev s strani špediterskih podjetij je potrjen določbam transporta nevarnih snovi. Priprava odpreme in transporta se lahko vrši izključno s strani ustrezno izšolanih oseb. Celoten proces je potrebno strokovno spremljati.

Pri transportu akumulatorjev je potrebno upoštevati sledeče točke:

V izogib kratkim stikom zagotovite, da bodo kontakti zaščiteni in izolirani. Bodite pozorni na to, da paket akumulatorja v notranjosti embalaže ne bo mogel zdrsniti. Poškodovanih ali iztekajočih akumulatorjev ni dovoljeno transportirati. Za nadaljnja navodila se obrnite na vaše špeditersko podjetje.

ZAŠČITA PREOBREMENITVE AKUMULATORJA

V primeru preobremenitve akumulatorja zaradi visoke porabe toka, npr. ekstremno visokih vrtilnih momentov, nenadne zaustavitve ali kratkega stika, električno orodje v 5 sekund vibrira, prikazovalnik polnjenja utripa, električno orodje pa se samodejno izklopi. Za ponoven vklop izpustite pritisko stikalo in nato znova vklopite. Pod ekstremnimi obremenitvami se akumulator premočno segreva. V tem primeru utripajo vse lučke prikazovalnika polnjenja dokler se akumulator ne ohladi. Za tem, ko prikazovalnik polnjenja ugasne lahko z delom nadaljujemo.

Za ponovno polnitev in aktiviranje akumulatorja ga je potrebno vstaviti v polnilce.

VZDRŽEVANJE

Ne spreminjajte te žage na kakršen koli način in ne uporabljajte opreme, ki je proizvajalec ni odobril. Ogrožena je lahko vaša varnost in varnost drugih.

Ne uporabljajte žage, če katero od stikal, varoval ali drugih funkcij žage ne deluje, kot je predvideno. Vrnite na pooblaščen servisni center za strokovno popravilo ali nastavitev.

Medtem ko je žagin list v gibanju, ne izvajajte nobenih nastavitvev.

Pred prilagoditvami, mazanjem ali kakršnimkoli vzdrževanjem, odstranite baterijski sklop.

Pred in po vsaki uporabi pregledajte žago, da ni poškodovana in da ni zlomljenih delov ter jo ohranjajte v brezhibnem stanju, tako da delo zamenjate z rezervnimi deli, odobrenimi s strani proizvajalca.

Rezilo je po uporabi zelo vroče, zato nosite rokavice in pustite, da se ohladi, preden pričnete s postopki vzdrževanja ali čiščenja.

S krtačo ali sesalnikom očistite nakopičen prah. Ne uporabljajte stisnjene zraka.

Za zagotavljanje varnosti in zanesljivosti mora vsa popravila, vključno z zamenjavo krtač, opraviti pooblašeni servisni center.

Pred nameščanjem ali odstranjevanjem rezila žage se prepričajte, da ste orodje odklopili z napajanja.

Napravo in zaščitno pripravo čistite s suho krpo.

Pazite na to, da so prezačevalne reže stroja vedno čiste.

NADOMESTNI DELI

Uporabljajte samo AEG pribor in nadomestne dele. Poskrbite, da sestavne dele, katerih zamenjava ni opisana, zamenjajo v AEG servisni službi (upoštevajte brošuro Garancija/Naslovi servisnih služb).

Po potrebi se lahko pri vaši servisni službi ali direktno pri Techtronic Industries GmbH naroči eksplozijska risba naprave ob navedbi tipa stroja in številke s tipske ploščice Techtronic Industries GmbH, Max-Eyth-Straße 10, 71364 Winnenden, Germany.

CE-IZJAVA O KONFORMNOSTI

S polno odgovornostjo izjavljamo, da izdelek, opisan pod „Tehnični podatki“ izpolnjuje vse ustrezne določbe direktiv

2011/65/EU

2006/42/ES

2014/30/EU

ter da so bili uporabljeni naslednji harmonizirani standardi

EN 61029-1:2009 + A11:2010

EN 61029-2-9:2012 + A11:2013

EN 55014-1:2006+A1:2009+A2:2011

EN 55014-2: 1997+A1:2001+A2:2008

EN 50581:2012



Winnenden, 2016-12-02

Alexander Krug / Managing Director

Pooblaščen za izdelavo spisov tehnične dokumentacije.

Techtronic Industries GmbH

Max-Eyth-Straße 10, 71364 Winnenden, Germany

SIMBOLI



POZOR! OPOZORILO! NEVARNO!



Pred vsemi deli na stroji odstranite izmenljivi akumulator.



Prosimo, da pred uporabo pazno preberete to navodilo za uporabo.



Pri delu s strojem vedno nosite zaščitna očala.



Nosite zaščito za sluh!



Nositi zaščitne rokavice



Odvijte vijak / Smer vrtenja



Nikdar ne dajajte rok v območje žaginega lista.



Naprava je primerna samo za uporabo v prostorih, naprave ne izpostavljajte dežju.



Ne glejte v laserski žarek.



This product corresponds to the laser class 1 in accordance with EN 60825-1:2014.



Ø30 mm
Ø254 mm
List žage ϕ x vrtni ϕ



Smer vrtenja



rezilo zobje



Širina reza



Električnih naprav ni dovoljeno odstranjevati skupaj z gospodinjstskimi odpadki. Električne in elektronske naprave je potrebno zbirati ločeno in za okolju prijazno odstranitev, oddati podjetju za reciklažo. Pri krajevnem uradu ali vašem strokovnem prodajalcu se pozanimajte glede reciklažnih dvorišč in zbirnih mest.



CE-znak



UkrSEPRO oznaka o skladnosti.



EurAsian oznaka o skladnosti.



TEHNIČKI PODACI	BPS18-254BL
Vlačna pila za obrezivanje i iskošavanje *	
Broj proizvodnje	4601 74 01... ... 000001-999999
Napon baterije za zamjenu	18 V
Broj okretaja praznog hoda	3900 min ⁻¹
List pile- \emptyset x Bušenje- \emptyset	254 x 30 mm
Debljina lista	1,6 mm
Debljina zuba pile	2,2 mm
Učinkan rezanja max. Kut kosog rezanja horizontalni 0° / Kut kosog rezanja vertikalni 0° Kut kosog rezanja horizontalni 0° / Kut kosog rezanja vertikalni 45° Kut kosog rezanja horizontalni 0° / Kut kosog rezanja vertikalni 45° Kut kosog rezanja horizontalni 45° / Kut kosog rezanja vertikalni 0° Kut kosog rezanja horizontalni 45° / Kut kosog rezanja vertikalni 45° Kut kosog rezanja horizontalni 45° / Kut kosog rezanja vertikalni 45°	90 mm x 305 mm 39 mm x 305 mm 43 mm x 305 mm 90 mm x 215 mm 50 mm x 215 mm 39 mm x 215 mm 43 mm x 215 mm
Minimalna dimenzije radnog predmeta	215 x 35 x 2,5 mm
Težina po EPTA-proceduri 01/2003 (Li-Ion 5.0 Ah)	16,3 kg
Informacije o buci Mjerne vrijednosti utvrđene odgovarajuće EN 61029. A-očijenjeni nivo buke aparata iznosi tipično: Nivo pritiska zvuka (Nesigurnost K=3dB(A)) Nivo učinka zvuka (Nesigurnost K=3dB(A))	89,0 dB (A) 98,5 dB (A)
Nositi zaštitu sluha! Informacije o vibracijama Ukupne vrijednosti vibracije (Vektor suma tri smjersu odmjerene odgovarajuće EN 61029 Rezanje drva pilom: Vrijednost emisije vibracije a_h Nesigurnost K=	1,1 m/s ² 1,5 m/s ²

* PS \triangleq Vlačna pila za obrezivanje i iskošavanje

UPOZORENIE!

Ova u ovim uputama navedena razina titranja je bila izmjerena odgovarajuće jednom u EN 61029 normiranom mjernom postupku i može se upotrijebiti za usporedbu električnog alata međusobno. Ona je prikladna i za privremenu procjenu titrajnog opterećenja.

Navedena razina titranja reprezentira glavne primjene električnog alata. Ukoliko se električni alat upotrebljava u druge svrhe sa odstupajućim primijenjenim alatima ili nedovoljnim održavanjem, onda razina titranja može odstupati. To može titrajno opterećenje kroz cijeli period rada bitno povisiti.

Za točnu procjenu titrajnog opterećenja se moraju uzeti u obzir i vremena u kojima je uređaj isključen ili u kojima doduše radi, ali nije i stvarno u upotrebi. To može titrajno opterećenje bitno smanjiti za vrijeme cijelog radnog perioda.

Utvrđite dodatne sigurnosne mjere za zaštitu poslužioca protiv djelovanja titranja kao npr.: Održavanje električnih alata i upotrebljenih alata, održavanje topline ruku, organizacija i radne postupke.

UPOZORENIE Pročitajte sigurnosne upute i uputnice. Ako se ne bi poštile napomene o sigurnosti i upute to bi moglo uzrokovati strujni udar, požar i/ili teške ozljede.

Sačuvajte sve napomene o sigurnosti i upute za buduću primjenu.

OPĆIH SIGURNOSNIH UPUTA

UPOZORENIE

Kod uporabe električnih alata se za zaštitu od električnog udara, opasnosti od povredjanja i požara moraju poštivati

slijedeće načelne sigurnosne mjere. Pročitajte sve upute prije korištenja ovog električnog alata i sigurnosne upute dobro sačuvajte.

Radno područje treba biti čisto. Neuredna radna mjesta i radionički stolovi povećavaju opasnost od nesreća i povreda.

Pazite na radno okruženje. Pumpa ne smije biti izložena niksi tih se smije koristiti u mokroj ili vlažnoj sredini. Radno područje treba biti dobro osvijetljeno. Ne koristite alate u prisutnosti zapaljivih tekućina i plinova.

Štitite se od električnog udara. Izbjegavajte kontakt tijela sa uzemljenim dijelovima kao što su cijevi, grijalice, štednjak ili hladnjaci.

Druge osobe držite podalje. Osobe, posebno djeca, koja ne sudjeluju u radovima ne smiju dodirivati alate ili produžni kabel, te ih držite podalje od radnog područja.

Spremite alat koji se ne koristi. Alati koji se ne koriste se moraju čuvati na jednom suhom, što je moguće višljem mjestu, nedokućivo i nedostupno za djecu.

Uređaj ne preopterećujte. Koristite odgovarajuće električno postrojenje u skladu koje odgovara određenoj namjeni. Radi postizanja boljih rezultata rada i sigurnosti na radu koristite postrojenje u propisanom rasponu snage.

Koristite ispravan alat. Ne koristite manje alate za poslove koji se obavljaju alatima za teške uvjete rada. Električnega orodja ne uporabljajte za namene, za katere ni predviđeno. Na primjer nemojte koristiti ručnu kružnu pilu za rezanje grana stabala ili cjepanica.

Koristite prikladnu radnu odjeću. Ne nosite široku odjeću i skinite nakit. Kosu, odjeću i rukavice čuvajte na dovoljnoj udaljenosti od pokretnih dijelova postrojenja. Za radove



na vanjskom području preporučujemo radne cipele sigurne protiv klizanja. Kod duge kose nositi mrežu za kosu.

Koristite zaštitnu opremu. Koristite zaštitne naočale. Koristite masku za lice ili za prašinu ako tijekom radova nastaje prašina.

Uvijek priključiti usisavač prašine. Ako je moguće koristiti odsis i hvatač/filtar prašine, provjerite da su ovi dijelovi ispravno montirani i korišteni.

Kabel nemojte koristiti na način koji je protivan njegovoj namjeni. Nikad ne povlačite kabel kako biste ga odspojili od utičnice. Kabel držite podalje od topline, ulja i oštih rubova.

Osigurajte izradak. Koristite stezne uređaje ili jedan škrip za čvrsto držanje izratka. Time se sigurnije drži nego rukom.

Ne naginjte se previše van i održavajte u svako vrijeme ravnotežu.

Budite pažljivi pri održavanju alata. Za bolje i sigurnije radne karakteristike rezni alati trebaju biti oštri i čisti. Sljedite upute u svezi podmazivanja i promjene alata. Kontrolirajte redovito priključni vod električnog alata i pustite ovog kod oštećenja obnoviti od strane jednog priznatog stručnjaka. Kontrolirajte redovito produžne vodove i promijenite ih ako su oštećeni. Ruke držite suhima, čistima i bez ulja i masti.

Odspojite alate. Ako ne koristite alate, prije nego što ih servisirate ili prije nego što mijenjate pribor, kao što su oštrice, nastavci i noževi, odspojite ih od napona.

Uklonite ključeve za namještanje i ključeve. Steknite naviku da provjeravate jesu li ključevi i ključevi za namještanje uklonjeni s alata prije nego što ga uključite.

Spriječite slučajno puštanje postrojenja u rad. Provjerite je li sklopka u položaju „isklj.“ kada stavljate baterijski sklop.

Koristite vanjske produžne kablove. Ako nekim električnim alatom radite na vanjskom području, upotrijebite samo onaj produžni kabel koji je za vanjsko područje odobren i odgovarajuće označen.

Budite oprezniji. Pazite što radite, koristite zdrav razum i ne radite s alatom ako ste umorni.

Prije uporabe alata provjerite je li oštećen ili je li materijal istrošen. Provjerite centriranje svih pokretnih dijelova, zglobova pokretnih dijelova, provjerite oštećene dijelove, sastavljanje i druge uvjete koji mogu utjecati na njegov rad.

Ne koristite stroj ako štitnici nisu na svom mjestu i ne rade ispravno. Oštećenja odmah dati na popravak autoriziranoj stručnoj radionici. Ne koristite alat ako se pomoću sklopke ne može uključiti ili isključiti.

UPOZORENIE Uporaba bilo kojeg pribora ili nastavka osim ovog preporučenog u ovim uputama za uporabu može uzrokovati tjelesnu ozljedu.

Električni alat dati na popravak samo nekom električnom stručnjaku. Ovaj električni alat odgovara dotičnim sigurnosnim odredbama. Popravke smiju vršiti samo električni stručnjaci, pri čemu se koriste originalni rezervni dijelovi; u drugom slučaju se mogu desiti nesreće za korisnika.

SIGURNOSNE UPUTE ZA PILE ZA KOSO REZANJE

Obradak uvijek stežite sigurno.

Utvrđiti da stroj uvijek ima sigurnu poziciju stajanja (npr. pričvršćenje na radioničkom stolu)..

Nosite zaštitu za sluh. Djelovanje buke može uzrokovati gubitak sluha.

Kod radova sa strojem uvijek nositi zaštitne naočale. Za rukovanje oštricama i grubim materijalima preporučuje se nošenje rukavica te se preporučuje nošenje čvrste, neklizave obuće koja štiti noge od obradaka koji mogu pasti s rezne površine.

Uvijek izvucite kabel ili izvadite baterijski sklop prije nego što započnete s namještanjem, održavanjem ili čišćenjem stroja.

Prije stavljanja ili vađenja baterijskog sklopa provjerite je li stroj isključen.

Nemojte stajati ispred stroja u istoj ravni s oštricom pile.

Pomaknite se u stranu od oštrice pile.

Držite ruke, prste i nadlaktice podalje od pokretne oštrice pile.

Ne dirajte područje u blizini oštrice, osim ako se oštrica nije potpuno zaustavila.

Prije uporabe alata provjerite je li oštećen ili je li materijal istrošen. Oštećene dijelove dati popraviti jednom stručnjaku.

Bezuvjetno upotrijebiti zaštitnu napravu stroja. Ne koristite stroj ako štitnici nisu na svom mjestu i ne rade ispravno.

Njihajuća zaštitna kapa u otvorenom položaju ne smije biti priključena.

Ako se radni komad ili oštrica zaglave, isključite pilu za koso rezanje. Pričekajte da se svi pokretni dijelovi zaustave i izvadite utičnicu iz izvora napajanja i/ili uklonite baterije. Tek tada možete ukloniti zaglavljene materijal.

Ne radite preinake na pili i ne prepravljajte ju ili ne mijenjajte njezinu funkciju. Možete ugroziti svoju sigurnost.

Ne koristite oštrice pile koje su napuknute, oštećene ili izobličene.

Ne upotrebljavajte listove pile izradene od brzoreznog čelika

Koristite samo oštrice pile. Zamijenite tupe oštrice novima.

Prilikom rukovanja oštricom pile koristite držač oštrica ili nosite rukavice.

Koristite uvijek listove pile odgovarajuće veličine i odgovarajućeg steznog otvora.

Listovi pile koji ne odgovaraju montažnim dijelovima pile, okretat će se neokruglo i mogu dovesti do gubitka kontrole nad pilom.

Koristite samo oštrice za obradu drveta navedene u ovim uputama koje ispunjavaju normu EN 847-1.

Ne koristite druge prirubnice, podloške i matice za osiguranje oštrica pile osim isporučenih ili navedenih u uputama za uporabu.

Pridržavati se najvećeg broja okretaja koji je naveden na listu pile. Izabrati list za pilu koji je prikladan za materijal koji se reže.

Ne koristite druge kutne pile za rezanje materijala osim onih navedenih u odjeljku o namjenskoj uporabi u ovim uputama.

Zamijenite stolni umetak ako je istrošen ili oštećen.

Prije rada napravite probni rez bez uključenog motora kako biste provjerili položaj oštrica, rad štitnika u odnosu na druge dijelove stroja i obradak.

Kada stroj radi, a glava pile nije u stanju mirovanja, nemojte sa područja piljenja odstranjivati ostatke piljenja ili druge dijelove izradaka.

Prilikom prijevoza stroja koristite samo prijevozna sredstva, a ne štitnike za rukovanje ili prijevoz.

Pokrivnu pilu transportirati samo sa uskočnim transportnim osiguračem na ručici.

Tlo osloboditi od ostataka materijala, kao piljevine i ostataka od piljenja

Materijali velike dužine koji se obrađuju, se moraju prikladno poduprijeti.



Hrv

Izratke sa okruglim i nepravilnim presjekom (npr. drva za loženje) se ne smiju piliti, jer se oni prilikom piljenja ne mogu držati. Kod osvojenih piljenja plosnatih izradaka se mora primijeniti prikladan pomoćni graničnik za sigurno vođenje.

Prašina koja nastaje kod rada je često štetna po zdravlje i ne bi smjela dospjeti u tijelo. Primijeniti usisavanje prašine i dodatno nositi prikladnu zaštitnu masku protiv prašine. Sleglu prašinu temeljito odstraniti, npr. usisati.

Pilu priključite na usisavač prilikom piljenja drveta.

Ne zamjenjujte LED diode ili laser različitim tipovima. Sve popravke treba izvoditi proizvođač ili ovlašteni serviser.

Listovne pile, koji ne odgovaraju karakterističnim podacima u ovoj uputi o upotrebi, se ne smiju upotrebljavati.

Alati se moraju transportirati i čuvati u prikladnoj posudi;

Greške u stroju, uključno zaštitnu napravu ili listove pile, se moraju prijaviti osobi nadležnoj za sigurnost, ukoliko se ove otkriju.

Kod izvođenja kutnih, rubno kutnih ili složenih kutnih rezova, namjestite klizni vodič kuta obrade da biste osigurali odgovarajući razmak od oštrice.

Izbjegavajte kroz prilagođenu brzinu pomaka pregrijavanje zuba lista pile a kod rezanja plastike topljenje materijala.

UPOZORENIE LED nemojte izmjenjivati drugima.

OŠTRICA ZA REZANJE DRVETA SPECIJALNE SIGURNOSNE UPUTE

Prije uporabe oštrice pile i stroja pažljivo pročitajte upute i napomene.

Stroj mora biti u dobrom stanju, a vreteno bez deformacija i ne smije vibrirati.

Pilu koristite samo ako su štitnici na svom mjestu, a oni trebaju biti tehnički ispravni i propisno održavani.

Osigurajte da je rukovatelj propisno obučen za sigurnosne mjere predostrožnosti, namještanje i rad stroja.

Uvijek nosite naočale i zaštitu za sluh dok koristite stroj. Preporučuje se nošenje rukavica, čvrste, neklizave obuće i pregače.

Provjerite u uputama za uporabu prije nego što počnete koristiti neki pribor. Uporaba neprikladnog pribora može prouzročiti štete i povećati opasnost od ozljeda.

Koristite samo oštrice navedene u ovim uputama koje ispunjavaju normu EN 847-1.

Obratite pozornost na maksimalnu brzinu označenu na oštrici pile. Osigurajte da je brzina označena na oštrici pile barem jednaka brzini označenoj na pili.

Koristite uvijek listove pile odgovarajuće veličine i odgovarajućeg steznog otvora.

Listovne pile koji ne odgovaraju montažnim dijelovima pile, okretat će se neokruglo i mogu dovesti do gubitka kontrole nad pilom.

Ne koristite oštrice većeg ili manjeg promjera od preporučenog. Za stavljanje oštrice na vreteno ne koristite odstojnik

Prije svake uporabe provjerite jesu vrhovi oštrice pile oštećeni i izgledaju li neobično. Oštećeni ili labavi vrhovi tijekom uporabe mogu letjeti uokolo i povećati mogućnost tjelesne ozljede.

Listovne pile sa pukotinama, koji su promijenili oblik, se ne smiju upotrebljavati! Listovne pile koji su oštećeni ili deformirani ne koristiti

Oštricu pile koja je oštećena, izobličena, iskrivljena ili napuknuta potrebno je baciti. Zabranjen je njezin popravak.

Ne upotrebljavati listove pile izrađene od brzoreznog čelika

Osigurajte da je oštrica pile ispravno pričvršćena, čvrsto stegnite maticu vretena (pritezni moment približno 12 Nm).

Pritezne vijke i matice treba zategnuti prikladnim ključem i sl.

Nije dopuštena uporaba ključa s nastavkom ili stezanje udarcima čekićem.

Oštrice i pribornice trebaju biti čiste, a udubljene stranice ležaja trebaju biti uz oštricu.

Oštrice se trebaju okretati u pravom smjeru.

Prije rada napravite probni rez bez uključenog motora kako biste provjerili položaj oštrice, rad štitnika u odnosu na druge dijelove stroja i obradak.

Ne ostavljajte stroj bez nadzora.

Ne koristite maziva na oštricama dok one rade.

Ne čistite i ne održavajte stroj koji radi i ako glava nije u položaju mirovanja.

Ne pokušavajte brzo zaustaviti stroj koji radi stavljanjem alata ili drugog sredstva uz oštricu jer se tako mogu prouzročiti ozbiljne ozljede.

Prije mijenjanja oštrice ili održavanja odspojite pilu od mrežnog napajanja ili izvadite baterijski sklop.

Obratite pozornost na pakiranje i raspakiranje oštrice jer se možete lako ozlijediti oštrim vrhovima oštrice.

Prilikom rukovanja oštricom pile koristite držač oštrice ili nosite rukavice.

Spremite i čuvajte oštrice u originalnom pakiranju ili drugoj prikladnoj ambalaži. Čuvajte ih na suhom mjestu i podalje od kemikalija koje mogu oštetiti oštrice.

SPECIJALNE SIGURNOSNE UPUTE LASER

Ova pila ima lasersko zračenje 1. razreda s maksimalno < 1mW i valne duljine od 650 nm. Ne gledajte izravno u optički instrument. Zbog nepridržavanja pravila moguće su ozbiljne tjelesne ozljede.

Tijekom rada ne gledajte u zrake.

Ne usmjeravajte lasersku zraku izravno u oči drugih osoba. Moguće su ozbiljne ozljede oka.

Ne stavlajte laser u takav položaju u kojem svi trebaju namjerno ili nenamjerno gledati u lasersku zraku.

Ne koristite optičke alate za gledanje laserske zrake.

Ne koristite laser u blizini djece i ne dopuštajte djeci da koriste laser.

Ne pokušavajte sami popravljati laserski uređaj.

Ne pokušavajte samovoljno prepravljati dijelove samog laserskog uređaja.

Sve popravke treba izvoditi proizvođač ili ovlašteni serviser.

UPOZORENIE Ugrađeni laser ne zamijenite sa laserom nekog drugog tipa.

Laser ne usmjeravati na reflektirajuće površine

Ne izlagati se laserskim zrakama. Laser može odašiljati jako zračenje.

PROPISNA UPOTREBA

Potezna kružna pila namijenjena je za piljenje krutog i lijepjenog drveta s lijepljenim furnirom ili bez njega, plastike ili materijala nalik drvetu.

Poteznom kružnom pilu smiju rukovati samo odrasle osobe koje su pročitale upute za uporabu i koje razumiju rizike i opasnosti.



Hrv

Potezna kružna pila konstruirana je za pričvršćivanje temelja na fiksni stol. Ako njezin temelj nije čvrsto pričvršćen, cijeli se stroj može pomakati tijekom rezanja zbog čega se povećava mogućnost teške tjelesne ozljede.

Potezna kružna pila konstruirana je za kose i kružne rezove. Kapacitete raznih rezova možete pronaći u proizvodnim specifikacijama u ovim uputama.

Potezna kružna pila koristi se u suhim uvjetima s izvrsnim osvjetljenjem prostora i dostatnom ventilacijom.

Potezna kružna pila namijenjena je za korisničku uporabu i treba s koristiti samo onako kako je to gore opisano i nije namijenjena za druge svrhe.

PREOSTALE OPASNOSTI

Čak i ako se potezna kružna pila koristi kao što je to gore opisano, i dalje je nemoguće potpuno ukloniti određene faktore preostalog rizika. Mogu se pojaviti sljedeći rizici i rukovatelj treba na njih obratiti posebnu pozornost kako bi ih izbjegao:

- rizik od kontakta s nepokrivenim dijelovima pokretne oštrice pile
- odbacivanje obradaka ili dijelova obradaka zbog neodgovarajućeg namještanja ili rukovanja
- odbacivanje neispravnih vrhova od tvrdog metala s oštrice pile. Cijelo vrijeme nosite zaštitu za oči.
- Oštećenje dišnog sustava. Nosite maske za zaštitu disanja s filterima prikladnim za materijale koji se obrađuju. Osigurajte prikladnu ventilaciju radnog prostora. Zabranjena konzumacija hrane, napitaka te zabranjeno pušenje u radnom prostoru.
- Moguće oštećenje sluha ako se ne nosi učinkovita zaštita za sluh.

UPOZORENIE Prašina nekih boja, obloga i materijala može prouzročiti nadraživanje i alergijske reakcije. Prašina drva kao što je hrastovina, bukovina, medijapana ili drugih materijala je kancerogena. S materijalima s azbestom trebaju raditi ili ih trebaju obrađivati samo osposobljeni stručnjaci.

UPOZORENIE Ozljede su moguće zbog otežane ili produžene uporabe alata. Ako se alat koristi duže vrijeme, radite redovite stanke.

BATERIJE

Baterije koje duže vremena nisu korištene, prije upotrebe napuniti.

Temperatura od preko 50°C smanjuje učinak baterija. Duže zagrijavanje od strane sunca ili grijanja izbjeci.

Priključne kontakte na uređaju za punjenje i baterijama držati čistima.

Za optimalni vijek trajanja se akumulatori poslije upotrebe moraju sasvim napuniti.

Za što moguće duži vijek trajanja, akumulatori se nakon punjenja moraju odstraniti iz punjača.

Kod skladištenja akumulatora duže od 30 dana: Akumulator skladištiti na suhom kod ca. 27°C. Akumulator skladištiti kod ca. 30%-50% stanja punjenja. Akumulator ponovno napuniti svakih 6 mjeseci.

Pod ekstremnim opterećenjem ili ekstremne temperature može iz oštećenih baterija iscuriti baterijska tekućina. Kod dodira sa baterijskom tekućinom odmah isprati sa vodom i sapunom. Kod kontakta sa očima odmah najmanje 10 minuta temeljno ispirati i odmah potražiti liječnika.

Baterije za zamjenu ne čuvati skupa sa metalnim predmetima (opasnost od kratkog spoja).

Istrošene baterije za zamjenu ne bacati u vatra ili u kućno smeće. AEG nudi mogućnost uklanjanja starih baterija odgovarajuće okolini; upitajte molimo Vašeg stručnog trgovca.

BATERIJA I PUNJAČ

Kompatibilne baterijski sklop (nisu uključeni): System GBS

Kompatibilni punjač(nisu uključeni): System GBS

Baterije sistema GBS puniti samo sa uređajem za punjenje sistema GBS. Ne puniti baterije iz drugih sistema.

TRANSPORT LITIJSKIH IONSKIH BATERIJA

Litijske-ionske baterije spadaju pod zakonske odredbe u svezi transporta opasne robe.

Prijevoz ovih baterija mora uslijediti uz poštivanje lokalnih, nacionalnih i internacionalnih propisa i odredaba.

Korisnici mogu bez ustručavanja ove baterije transportirati po cestama.

Komercijalni transport litijsko-ionskih baterija od strane transportnih poduzeća spada pod odredbe o transportu opasne robe. Otpremničke priprave i transport smiju izvoditi isključivo odgovarajuće školovane osobe. Kompletni proces se mora pratiti na stručan način.

Kod transporta baterija se moraju poštivati sljedeće točke:

Uvjerite se da su kontakti zaštićeni i izolirani kako bi se izbjegli kratki spojevi. Pazite na to, da blok baterija unutar pakiranja ne može proklizavati. Oštećene ili iscurjele baterije se ne smiju transportirati. U svezi ostalih uputa obratite se vašem prijevoznom poduzeću.

ZAŠTITA OD PREOPTEREĆENJA AKUMULATORA

Kod preopterećenja akumulatora kroz vrlo visoku potrošnju struje, npr. ekstremno visoki zakretni momenti, električni alat vibrira za vrijeme od 5 sekundi, pokazivač punjenja treperi i električni alat se samostalno isključuje.

Za ponovno uključivanje ispuštiti okidač sklopke i zatim ponovno uključiti.

Pod ekstremnim opterećenjima se akumulator prejako zagrije. U tome slučaju trepere sve lampice pokazivača punjenja, sve dok se akumulator ne ohladi. Poslije gašenja pokazivača punjenja se može nastaviti sa radom.

Akumulator zatim utaknuti u punjač kako bi se ovaj ponovno napunio i zatim aktivirao.

ODRŽAVANJE

Ne prepravljajte ovu pilu ni na koji način i ne koristite pribor koji proizvođač nije odobrio. Možete ugroziti svoju i tuđu sigurnost.

Ne koristite pilu ako sklopke, štitičnici ili druge funkcije ne rade kao što bi trebale. Odnosite uređaj na stručni popravak ili za namještanje ovlaštenoj servisnoj radionici.

Ne namještajte pilu dok ona radi.

Prije namještanja, podmazivanja ili održavanja stroja izvadite baterijski sklop.

Prije i nakon svake uporabe provjerite je li pila oštećena i ima li puknutih dijelova, držite je u tehnički ispravnom stanju odmah zamjenjujući dijelove dijelovima koje je odobrio proizvođač.

Oštrica je vrlo vruća nakon uporabe, nosite rukavice ili ostavite uređaj da se ohladi prije čišćenja ili održavanja.

Četkom ili usisavačem očistite nataloženu prašinu. Ne koristite komprimirani zrak.



Kako bi se osigurala sigurnost i pouzdanost, sve popravke, uključujući promjenu četki, treba obavljati ovlaštena servisna radionica.

Prije priključivanja ili uklanjanja lista pile osigurajte da je alat iskopčan iz izvora za napajanje.

Aparat i zaštitni uređaj čistite jednom suhom krpom.

Proreze za prozračivanje stroja uvijek držati čistima.

ZAMJENSKI DIJELOVI

Primijeniti samo AEG opremu i rezervne dijelove. Sastavne dijelove, čija zamjena nije opisana, dati zamijeniti kod jedne od AEG servisnih službi (poštivati brošuru Garancija/Adrese servisa).

Po potrebi se može zatražiti crtež eksplozije aparata uz davanje podataka o tipu stroja i desetoznamenkastog broja na pločici snage kod Vaše servisne službe ili direktno kod Techtronic Industries GmbH, Max-Eyth-Straße 10, 71364 Winnenden, Germany.

CE-IZJAVA KONFORMNOSTI

Izjavljujemo pod vlastitom odgovornošću da proizvod opisan u odjeljku „Tehnički podaci“ ispunjava sve potrebne odredbe smjernica

2011/65/EU

2006/42/EC

2014/30/EU

i da su korišteni sljedeći usklađeni standardi

EN 61029-1:2009 + A11:2010

EN 61029-2-9:2012 + A11:2013

EN 55014-1:2006+A1:2009+A2:2011

EN 55014-2: 1997+A1:2001+A2:2008

EN 50581:2012



Winnenden, 2016-12-02

Alexander Krug / Managing Director

Ovlašten za formiranje tehničke dokumentacije.

Techtronic Industries GmbH

Max-Eyth-Straße 10, 71364 Winnenden, Germany

SIMBOLI



PAŽNJA! UPOZORENIE! OPASNOST!



Prije svih radova na stroju izvaditi bateriju za zamjenu.



Molimo da pažljivo pročitate uputu o upotrebi prije puštanja u rad.



Kod radova na stroju uvijek nositi zaštitne naočale.



Nositi zaštitu sluha!



Nositi zaštitne rukavice!



Otvorite vijak / Smjer vrtnje



Ruke nikada ne stavljati na područje lista pile.



Aparat je prikladan samo za korištenje u prostorijama, aparat ne izlagati kiši.



Ne gledati u lasersku zraku



This product corresponds to the laser class 1 in accordance with EN 60825-1:2014.



List pile- \emptyset x Bušenje- \emptyset



Smjer vrtnje



blade zubi



Širina rezanja



Električni uređaji se ne smiju zbrinjavati skupa sa kućnim smećem. Električni uređaji se moraju skupljati odvojeno i predati na zbrinjavanje primjereno okolišu jednom od pogona za iskorišćavanje. Raspitajte se kod mjesnih vlasti ili kod stručnog trgovca u svezi gospodarstva za recikliranje i mjesta skupljanja.



Oznaka-CE



UkrSEPRO znak konformnosti.



EurAsian znak konformnosti.



Hrv

TEHNISKIE DATI	BPS18-254BL
Taisnleņķa zāģis *	
Izlaides numurs	4601 74 01... ... 000001-999999
Akumulātorā spriegums	18 V
Tukšgaitas apgriezienu skaits	3900 min ⁻¹
Zāģa ripas ārējais diametrs x iekšējais diametrs	254 x 30 mm
Zāģa asmens biezums	1,6 mm
Zāģa asmens zobu biezums	2,2 mm
Maksimālā apgriešanas jauda	
Zāģēšanas leņķis Horizontālais 0° / Zāģēšanas leņķis Vertikālais 0°	90 mm x 305 mm
Zāģēšanas leņķis Horizontālais 0° / Zāģēšanas leņķis Vertikālais 45° ↘	39 mm x 305 mm
Zāģēšanas leņķis Horizontālais 0° / Zāģēšanas leņķis Vertikālais 45° ↘	43 mm x 305 mm
Zāģēšanas leņķis Horizontālais ↘ 45° / Zāģēšanas leņķis Vertikālais 0°	90 mm x 215 mm
Zāģēšanas leņķis Horizontālais ↘ 45° / Zāģēšanas leņķis Vertikālais 0°	50 mm x 215 mm
Zāģēšanas leņķis Horizontālais 45° / Zāģēšanas leņķis Vertikālais 45° ↘	39 mm x 215 mm
Zāģēšanas leņķis Horizontālais 45° / Zāģēšanas leņķis Vertikālais 45° ↘	43 mm x 215 mm
Min. . . apstrādājamās detaļas izmērs	215 x 35 x 2,5 mm
Svars atbilstoši EPTA -Procedure 01/2003 (Li-Ion 5.0 Ah)	16,3 kg
Trokšņu informācija	
Vertības, kas noteiktas saskaņā ar EN 61029. A novērtētās aparātūras skaņas līmenis ir:	
Trokšņa spiediena līmenis (Nedrošība K=3dB(A))	89,0 dB (A)
Trokšņa jaudas līmenis (Nedrošība K=3dB(A))	98,5 dB (A)
Nēsāt trokšņa slāpētāju!	
Vibrāciju informācija	
Svārstību kopējā vērtība (Trīs virzienu vektoru summtiek noteikta atbilstoši EN 61029.	
Koka zāģis: svārstību emisijas vērtība a _h	1,1 m/s ²
Nedrošība K=	1,5 m/s ²

* PS Δ Taisnleņķa zāģis

UZMANĪBU!

Instrukcijā norādītā svārstību robežvērtība ir izmērīta mērījumu procesā, kas veikts atbilstoši standartam EN 61029, un to var izmantot elektroinstrumentu savstarpējai salīdzināšanai. Tā ir piemērota arī svārstību noslogojuma pagaidu izvērtēšanai.

Norādītā svārstību robežvērtība ir reprezentatīva elektroinstrumenta pamata pielietojuma jomā. Tomēr, ja elektroinstrumentus tiek pielietots citās jomās, papildus izmantojot neatbilstošus elektroinstrumentus vai pēc nepietiekamas tehniskās apkopes, tad svārstību robežvērtība var atšķirties. Tas var ievērojami palielināt svārstību noslogojumu visa darba laikā.

Precīzai svārstību noslogojuma noteikšanai, ir jāņem vērā arī laiks, kad ierīces ir izslēgtas vai arī ir ieslēgtas, tomēr faktiski netiek lietotas. Tas var ievērojami samazināt svārstību noslogojumu visa darba laikā.

Integrējiet papildus drošības pasākumus pret svārstību ietekmi lietotājam, piemēram: elektroinstrumentu un darba instrumentu tehniskā apkope, roku siltuma uzturēšana, darba procesus organizācija.

⚠ UZMANĪBU Izlasiet visu drošības instrukciju un lietošanas pamācību klāt. Šeit sniegto drošības noteikumu un norādījumu neievērošana var izraisīt aizdegšanos un būt par cēloni elektriskajam triecienam vai nopietnam savainojumam.

Pēc izlasīšanas uzglabājiet šos noteikumus turpmākai izmantošanai.

VISSPĀRĒJO DROŠĪBAS NOTEIKUMU

⚠ UZMANĪBU

Strādājot ar elektroinstrumentiem, ievērojiet turpmākos pamata drošības pasākumus, lai izvairītos no elektriskās strāvas trieciena, savainojumu gūšanas un ugunsgrēka izraisīšanas. Pirms elektroinstrumentu lietošanas rūpīgi izlasiet visas šīs norādes, un saglabājiet tās - iespējams, vēlāk nāksies tās izlasīt vēlreiz.

Uzturiet darba zonu kārtībā. Nekārtīgas darba zonas un darbapaldī rada traumu riskus.

Nemiet vērā darba zonas vidi. Nepakļaujiet instrumentus lietus iedarbībai. Nelietojiet instrumentus mitros vai slapjos apstākļos. Darba zonai jābūt labi apgaismotai. Neizmantojiet instrumentus uzliesmojošu šķidrumu vai gāzu tuvumā.

Uzmanību! Pastāv briesmas gūt elektriskās strāvas triecienu! Novērst ķermeņa kontaktu ar iezemētām lietām, piemēram, caurulēm, radiatoriem, plītiem und ledusskapjiem.

Pārējām personām jāievēro droša distance. Neļaujiet personām, īpaši bērniem, kas nepiedalās darba veikšanā, pieskarties instrumentam vai pagarinātām; viņiem jāievēro droša distance no darba zonas.

Noglabājiet instrumentus, kamēr tie netiek lietoti. Kamēr instrumenti netiek lietoti, tos jāglabā sausā un aizslēgtā vietā, kur tos nevar aizsniegt bērni.

Izmantojiet atbilstošu instrumentu. Neizmantojiet mazus instrumentus darbiem, kuriem nepieciešami lieljaudas instrumenti.



Valkājiet piemērotu apģērbu. Nevalkājiet vaļīgu apģērbu vai rotaslietas; tās var iekļerties kustīgās daļās.

Izmantojiet aizsarglīdzekļus. Izmantojiet aizsargbrilles. Izmantojiet sejas vai preptutekļu aizsargmaskas, ja darbības rada putekļus.

Nekādā gadījumā nevelciet aiz vada, lai atvienotu to no kontaktligzdas. Turiet vadu atstātus no siltuma, eļļas un asām malām.

Nostipriniet apstrādājamo daļu. Kad iespējams, nofiksējiet apstrādājamo daļu ar spailēm vai skrūvspilēm. Tas ir drošāk kā turēt rokās.

Neliecieties pārāk tālu un vienmēr turiet līdzsvaru.

Veiciet uzmanīgu instrumentu apkopi. Uzturiet griešanas instrumentus asus un tirus, lai iegūtu labāku un drošāku rezultātu. Ievērojiet eļļošanas un piederumu maiņas instrukcijas. Periodiski pārbaudiet instrumenta vadus un, ja tie ir bojāti, nododiet tos remontā pilnvarotā servisa centrā. Periodiski pārbaudiet pagarinātājus un, ja nepieciešams, nomainiet tos.

Atvienojiet instrumentus. Kamēr tie netiek lietoti, pirms apkopes un, kad tiek mainīti piederumi, piemēram, asmeņi, uzgali vai griežēji, atvienojiet instrumentus no barošanas.

Noņemiet regulēšanas atslēgas un uzgriežņatslēgas.

Izveidojiet ieradumu pārbaudīt, vai atslēgas un regulēšanas uzgriežņatslēgas ir noņemtas no instrumenta, pirms ielēgt to.

Pārlicinieties, ka slēdzis atrodas "izslēgtā" pozīcijā, kad uzstādāt akumulatoru.

Izmantojiet āra apstākļiem piemērotus pagarinātājus. Kad instruments tiek izmantots ārā, izmantojiet tikai tādas pagarinātājus, kas paredzēti lietošanai ārā un ir atbilstoši marķēti.

Saglabājiet modrību. Rikojieties uzmanīgi, izmantojiet veselo saprātu un nelietojiet instrumentu, kad esat saguris.

Pirms lietošanas pārbaudiet instrumentu, vai tam nav bojājumu vai materiāla noguruma pazīmju. Pārbaudiet kustīgo daļu saderību, kustīgo daļu ķeršanos, daļu lūšanu, montāžu un citus apstākļus, kas var ietekmēt darbību.

Nelietojiet mašīnu, ja aizsargi nav savās vietās un nedarbojas pareizi.

Bojājumu rašanās gadījumā nekavējoties nodot rīku labošanai specializētā servisā. Neizmantojiet instrumentu, ja slēdzis to neieslēdz vai neizslēdz.

UZMANĪBU Ja tiek lietots cits piederums vai papildaprīkojums, kas nav ieteikts šajā instrukciju rokasgrāmatā, var rasties traumu riski.

Instruments jāremontē kvalificētai personai. Šis elektroinstruments atbilst attiecīgajiem drošības noteikumiem. Remontdarbus drīkst veikt tikai kvalificētas personas, izmantojot oriģinālās rezerves daļas; citādi tie radīt ievērojamus draudus lietotājam.

LEŅĶZĀGA DROŠĪBAS NORĀDĪJUMI

Vienmēr droši un kārtīgi nostipriniet apstrādājamo daļu.

Nodrošināt, lai ierīce vienmēr stāvētu stabili (piem., piestiprinot pie darbgalda)..

Nēsājiet ausu aizsargus. Trokšņa iedarbība var izraisīt dzirdes zudumu.

Strādājot ar mašīnu, vienmēr jānēsā aizsargbrilles. Ieteicams valkāt cimdus, strādājot ar asmeņiem un rupjiem materiāliem, kā arī izturīgus, neslīdošus apavus, kas arī aizsargā pēdas no apstrādājamām daļām, kas nav nokrist no griešanas zonas.

Pirms veikt mašīnas regulēšanas darbus, apkopi vai tīrīšanu, vienmēr atvienojiet kontaktdakšu vai akumulatoru.

Pirms uzstādīt vai demontēt akumulatoru, pārlicinieties, ka mašīna ir izslēgta.

Nestāviet vienā līnijā ar zāga asmeni mašīnas priekšā.

Vienmēr stāviet atstātus no zāga asmeņiem.

Turiet plaukstus, pirkstus un delmus atstātus no rotējoša zāga asmeņiem.

Nekādā gadījumā nespiedzieties blakus asmeņim, kamēr tas nav pilnībā apstājies.

Pirms lietošanas pārbaudiet instrumentu, vai tam nav bojājumu vai materiāla noguruma pazīmju. Bojātās detaļas drīkst remontēt tikai profesionāļiem.

Noteikti vajag izmantot mašīnai paredzēto aizsargaprīkojumu. Nelietojiet mašīnu, ja aizsargi nav savās vietās un nedarbojas pareizi.

Aizsargpārvalku nedrīkst fiksēt atvērtā stāvoklī.

Ja sagatave iesprūst vai plātne bloķējas, izslēdziet leņķzāģi. Nogaidiet, līdz apstājas visas kustīgās detaļas, izvelciet kontaktdakšu un/ vai izņemiet akumulatoru. Pēc tam izņemiet iesprūdušo materiālu.

Nekādā gadījumā nemodificējiet zāģi vai tā funkcijas. Tas var mazināt jūsu drošību.

Neizmantojiet zāģa asmeņus, kas ir ieplaisājuši, bojāti vai deformēti.

Nelietojiet zāģa plātnes, kas izgatavotas no ātrām darbam paredzētā tērauda.

Izmantojiet tikai asus zāģa asmeņus. Nomainiet trulus asmeņus ar jauniem.

Kad strādājat ar zāģa asmeni, izmantojiet asmeņu turētāju vai valkājiet cimdus.

Vienmēr lietojiet pareiza izmēra zāģa asmeni, ar piemērotas formas centrālo atvēršumu.

Zāģa asmeņi, kas neatbilst zāģa stiprināto elementu formai, necentrējas uz darbvirsmas un var novest pie kontroles zaudēšanas pār zāģēšanas procesu.

Izmantojiet tikai koka zāģēšanas asmeņus, kas norādīti šajā rokasgrāmatā un kas atbilst EN 847-1.

Neizmantojiet citus atlokus, paplāksnes un uzgriežņus, lai piestiprinātu zāģa asmeni, izņemot tos, kas norādīti instrukciju rokasgrāmatā.

Nodrošiniet, lai netiktu pārsniegti uz zāģa plātnes norādītie maksimālie apgriezieni.

Lietojiet zāģa plātņi, kas ir piemēroti attiecīgā materiāla griešanai.

Nekādā gadījumā neizmantojiet leņķzāģi, lai sagrieztu citus materiālus, izņemot tos, kas norādīti šīs rokasgrāmatas paredzētā pielietojuma sadaļā.

Nomainiet galda ieliktni, kad tas ir nodilis vai bojāts.

Pirms darba veiciet zāģējuma imitāciju ar izslēgtu motoru, lai varētu pārbaudīt asmens novietojumu, aizsargu darbību attiecībā pret citām mašīna daļām un apstrādājamo daļu.

Neizņem zāģēšanas pārpalikumus vai citus formu fragmentus no zāģēšanas iekārtas, ja tā ir iedarbināta un zāģis neatrodas mierīgā pozīcijā.

Kad transportējat mašīnu, izmantojiet tikai transportēšanas ierīces un nekādā gadījumā neizmantojiet aizsargus, lai pārnestu vai transportētu instrumentu.

Sagarināšanas zāģi transportējiet tikai aiz roktura, ar ieslēgtu transportēšanas drošinātāju.

Raudzīties, lai uz grīdas nemēģinātu materiālu atlikumi, piem., zāģskaidas, atgriezumus.

Garas apstrādājamās sagataves piemērotā veidā atbalstiet.

Formas ar apaļu vai neregulāru šķērsgrīzumu (piem., malka, nedrīkst tikt zāģētas, ja zāģēšanas procesa laikā tās netiek droši npiestiprinātas. Zāģējot augstās malas plakanajām formām ir jāizmanto piemērots instruments zāģa drošai vadībai.

Putekļi, kas rodas strādājot, bieži ir kaitīgi veselībai, un tiem nevajadzētu nokļūt ķermenī. Vajag izmantot putekļusūcēju un bez tam nēsāt masku, kas pasargā no putekļiem. Nosēdušos putekļus vajag aizvēkt, piem. nosūknēt.

Zāģējot kokmateriālu, pieslēdziet iekārtai putekļsūcēju.

Nenomainiet LED lampiņu vai lāzēri ar cita tipa aizvietotāju.

Jebkādos remontdarbus drīkst veikt tikai ražotājs vai pilnvarots servisa centrs.

Zāģu ripas, kas neatbilst šīni lietošanas pamācībā minētajiem datiem, nedrīkst izmantot.

Darbinstrumentu pārņēšanai un glabāšanai jāizmanto piemērota tvertne.

Ja mašīnā, ieskaitot aizsardzības ierīces vai zāģa plātni, ir radusies kļūda, tad tikko kā tā ir konstatēta, par to jāziņo personai, kas ir atbildīga par drošības tehniku.

Veicot slīpizstrādāšanu, nošļaušanu vai sarežģītus slīpos griezumus, noregulējiet slidošo barjeru, lai nodrošinātu pareizu attālumu no asmens.

Lai novērstu zāģa ripas zobu pārkaršanu un, griežot plastmasas izstrādājumus, materiāla sakušānu, izmantojiet piemērotu padeves ātrumu.

UZMANĪBU Nenomainiet LED ar nevienu citu.

KOKA ZĀĢĒŠANAS ASMENS SPECIĀLIE DROŠĪBAS NOTEIKUMI

Pirms izmantot zāģa asmeni un mašīnu, uzmanīgi izlasiet rokasgrāmatu un instrukcijas.

Mašīnai jābūt labā stāvoklī, vārpsta nedrīkst būt deformēta un vibrēt.

Neizmantojiet zāģi, ja aizsargi nav savās vietās, uzturiet aizsargus labā darba kārtībā un pareizi apkoptus.

Nodrošiniet, ka operators ir atbilstoši apmācīts par drošības pasākumiem, regulēšanu un mašīnas ekspluatāciju.

Vienmēr valkājiet brilles un dzirdes aizsargus, kad lietojat mašīnu. Ieteicams valkāt cimdus, izturīgus, neslidošus apavus un priekšautu.

Pirms lietot kādu no piederumiem, skatiet instrukciju rokasgrāmatu. Piederuma nepareiza lietošana var izraisīt bojājumu un palielināt traumu risku.

Izmantojiet tikai asmeņus, kas norādīti šajā rokasgrāmatā un kas atbilst EN 847-1.

Ievērojiet maksimālos apgrīzienus, kas norādīti uz zāģa asmens. Pārliecinieties, ka apgrīzieni, kas norādīti uz zāģa asmens, ir vismaz vienādi ar apgrīzieniem, kas norādīti uz zāģa.

Vienmēr lietojiet pareiza izmēra zāģa asmeni, ar piemērotas formas centrālo atvēršumu.

Zāģa asmei, kas neatbilst zāģa stiprināšanas elementu formai, necentrālas uz darbavārpstas un var novest pie kontroles zaudēšanas pār zāģēšanas procesus.

Neizmantojiet asmeņus, kuru diametrs ir lielāks vai mazāks par ieteicamo. Neizmantojiet distancerus, lai pielāgotu asmeni vārpstas diametram.

Pirms katras lietošanas reizes pārbaudiet, vai zāģa asmens gali nav bojāti vai ar izskata anomālijām. Gali, kuri ir bojāti vai valīgi,

lietošanas laikā var atdalīties, kļūstot par lidojošiem objektiem, ka palielina traumu risku.

Saplaisājusās zāģu ripas un tādas, kas ir izmainījušas savu formu, nedrīkst izmantot. Neizmantojiet bojātus vai deformētus zāģa diskus. Ja zāģa asmens ir bojāts, deformēts, mainījies vai ieleplaisājis, izmantojiet to; remonts nav atļauts.

Nelietojiet zāģa plātnes, kas izgatavotas no ātrām darbam paredzētā terauda.

Pārliecinieties, ka zāģa asmens ir uzstādīts pareizi, pirms lietošanas kārtīgi pievelciet vārpstas uzgriezni (pievilšanas moments apm. 12 Nm).

Stiprināšanas skrūvi un uzgriežņus jāpievelk, izmantojot atbilstošu uzgriežņatslēgu utt.

Nav atļauts izmantot uzgriežņatslēgas pagarinājumu vai veikt pievilšanu ar āmuru sītienu.

Pārliecinieties, ka asmens un atloki ir tīri un ka apciļņa iegremdētās malas atrodas asmens pusē.

Pārliecinieties, ka asmens rotē pareizajā virzienā.

Pirms darba veiciet zāģējuma imitāciju ar izslēgtu motoru, lai varētu pārbaudīt asmens novietojumu, aizsargu darbību attiecībā pret citām mašīna daļām un apstrādājamo daļu.

Nekādā gadījumā neatstājiet mašīnu bez pieskatīšanas.

Neuzklājiet uz asmens smērvielas, kamēr tas griežas.

Nekādā gadījumā neveiciet tīrīšanas vai apkopes darbus, kamēr mašīna vēl darbojas un galva neatrodas miera pozīcijā.

Nekādā gadījumā nemēģiniet strauji apturēt mašīnas kustību, nosprostojot asmeni ar instrumentu vai citu priekšmetu; šādā veidā var tikt neapziņi izraisīti nopietni negadījumi.

Atvienojiet zāģi no barošanas vai izņemiet akumulatoru, pirms mainīt asmeņus vai veikt apkopi.

Pievērsiet uzmanību asmens iepakojšanai un izpakojšanai; no asmens asajiem galiem ir viegli gūt traumas.

Kad strādājat ar zāģa asmeni, izmantojiet asmeņu turētāju vai valkājiet cimdus.

Glabājiet asmeni oriģinālajā iepakojumā vai citā piemērotā iepakojumā, glabājiet to sausos apstākļos un atstātos no ķīmiskajām vielām, kas var bojāt asmeni.

SPECIĀLIE DROŠĪBAS NOTEIKUMI LĀZERS

Šim zāģim izmantotā lāzera starojums atbilst 1. klasei ar maksimāli <1mW un 650nm viļņu garumu. Neskatieties tajā tieši ar optiskajiem instrumentiem. Šo noteikumu neievērošana var izraisīt smagas traumas.

Neskatieties starā darbības laikā.

Neversiet lāzera staru tieši acīs citiem. Tas var izraisīt smagas acu traumas.

Neovietojiet lāzera pozīcijā, kur tā stars var tīšām vai netīšām iespiēt kādam acīs.

Neizmantojiet optiskos instrumentus, lai skatītos uz lāzera staru.

Nestrādājiet ar lāzera bērnu tuvumā un neļaujiet bērniem strādāt ar lāzera.

Nemēģiniet patstāvīgi saremontēt lāzera iekārtu.

Nemēģiniet patstāvīgi mainīt lāzera iekārtas daļas.

Jebkādos remontdarbus drīkst veikt tikai ražotājs vai pilnvarots servisa centrs.

UZMANĪBU Nenomainiet elektroinstrumentā iebūvēto lāzera ar cita tipa lāzera ierīci.



Lat

Nevirzīt lāzeru uz astarojošām/reflektējošām virsmām.
Sargājieties no lāzera radiācijas apstarošanas. Lāzers var izstarot bīstamu radiāciju.

NOTEIKUMIEM ATBILŠOŠS IZMANTOJUMS

Slidrāmja kombinētais leņķzāģis ir paredzēts, lai zāģētu monolītu un savienotu koku ar vai bez līmeņa saplākšņa, plastmasas un materiāliem, kas līdzinās kokam.

Slidrāmja kombinētais leņķzāģis ir paredzēts lietošanai tikai pieaugušiem operatoriem, kuri ir izlasījuši instrukciju rokasgrāmatu un izpratuši riskus un draudus.

Slidrāmja kombinētais leņķzāģis ir paredzēts, lai tā pamatni piestiprinātu uz stingra darbgaldā. Ja pamatne nav pareizi piestiprināta, visa mašīna griešanas darbu laikā var izkustēties, kas palielina smagu traumu iespēju.

Slidrāmja kombinētais leņķzāģis ir paredzēts, lai veiktu leņķa un šķērseņiskus griezumus. Iespējas veikt dažādus griezumus ir norādītas šīs rokasgrāmatas produkta specifikācijās.

Slidrāmja kombinētais leņķzāģis jālieto sausos apstākļos, kur ir liels apgaismojums un atbilstoša ventilācija.

Slidrāmja kombinētais leņķzāģis ir paredzēts patērētāju lietošanai, un to drīkst izmantot tikai atbilstoši augstāk sniegtajām instrukcijām, tas nav paredzēts citiem mērķiem.

PĀRĒJIE RISKI

Pat tad, kad slidrāmja kombinētais leņķzāģis tiek lietots atbilstoši norādēm, nav iespējams pilnībā novērst noteiktus neizbēgamus riska faktorus. Var rasties zemāk aprakstītie draudi, un operatoram jāpievērš īpaša uzmanība, lai izvairītos no šīm situācijām:

- Saskaņā ar rotējošā zāģa asmeņa neaizsegtajām daļām risks.
- Apstrādājamo daļu vai to daļu atsiens nepareizas regulēšanas vai apiesānās dēļ.
- Bojātu karbīda galu katapultēšana no zāģa asmens. Pastāvīgi valkājiet acu aizsargus.
- Elpošanas sistēmas bojājumi. Valkājiet elpošanas aizsargmaskas. Nodrošiniet atbilstošu darba vietas ventilāciju. Neēdiet, nedzeriet un nesmēķējiet darba zonā.
- Var rasties dzirdes traucējumi, ja netiek valkāti dzirdes aizsargi.

UZMANĪBU Putekļi no noteiktām krāsām, pārklājumiem un materiāliem var izraisīt kairinājumu vai alerģiskas reakcijas. Putekļi no tādiem kokmateriāliem kā ozols, dižskābardis, MDF un citiem var būt kancerogēni. Ar materiāliem, kas satur azbestu, drīkst strādāt vai tos apstrādāt drīkst tikai kvalificēti specializētie operatori.

UZMANĪBU Instrumenta ilgstošas lietošanas rezultātā var tikt gūtas traumas vai pasliktināts jau esošs. Lietojot jebkuru instrumentu ilgstoši, ir jāievēro regulāras pauzes.

AKUMULĀTORI

Akumulātori, kas ilgāku laiku nav izmantoti, pirms lietošanas jāuzlādē.

Pie temperatūras, kas pārsniedz 50°C, akumulātoru darbspēja tiek negatīvi ietekmēta. Vajag izvairīties no ilgākas saules un karstuma iedarbības.

Lādētāja un akumulātoru pievienojuma kontakti jāuztur tīri.

Lai baterijas darba ilgums būtu optimāls, pēc iekārtas izmantošanas tā jāuzlādē.

Lai akumulātori kalpotu pēc iespējas ilgāku laiku, tos pēc uzlādes ieteicams atvienot no lādētājierīces.

Akumulātoru uzglabāšana ilgāk kā 30 dienas: uzglabāt akumulātoru pie aptuveni 27°C un sausā vietā. Uzglabāt akumulātoru

uzlādes stāvoklī aptuveni pie 30%-50%. Uzlādēt akumulātoru visus 6 mēnešus no jauna.

Pie ārkārtas slodzes un ārkārtas temperatūrām no bojātā akumulātorā var iztect akumulātorā šķidrums. Ja nonākat saskarsmē ar akumulātorā šķidrumu, saskarsmes vieta nekavējoties jānomazgā ar ūdeni un ziepēm. Ja šķidrums nonācis acīs, acis vismaz 10 min. skalot un nekavējoties konsultēties ar ārstu.

Akumulātorus nav ieteicams glabāt kopā ar metāla priekšmetiem (iespējams īsslēgums).

Izmantotos akumulātorus nedrīkst mest uguni vai parastajos atkritumos. Firma AEG piedāvā iespēju vecos akumulātorus savākt apkārtnē vidi saudzējošā veidā; jautājiet specializētā veikalā.

AKUMULĀTORUS UN LĀDĒTĀJS

Saderīgs akumulātors (nav iekļauts): System GBS

Saderīgs lādētājs (nav iekļauts): System GBS

GBS sistēmas akumulātorus lādēt tikai ar GBS sistēmas lādētājiem. Nedrīkst lādēt citus akumulātorus no citām sistēmām.

LITĪJA JONU AKUMULĀTORU TRANSPORTĒŠANA

Uz litija jonu akumulātoriem attiecas noteikumi par bīstamo kravu pārvašanu.

Šo akumulātoru transportēšana jāveic saskaņā ar vietējiem, valsts un starptautiskajiem normatīvajiem aktiem un noteikumiem.

Patērētāja darbības, pārvaļdot šos akumulātorus pa autoceļiem, nav reglamentētas.

Uz litija jonu akumulātoru komerciālu transportēšanu, ka veic ekspedīcijas uzņēmums, attiecas bīstamo kravu pārvaļdašanas noteikumi. Sagatavošanas darbus un transportēšanu drīkst veikt tikai atbilstoši apmācīts personāls. Viss process jāveda profesionāli.

Veicot akumulātoru transportēšanu, jāievēro:

Pārļiecinieties, ka kontakti ir aizsargāti un izolēti, lai izvairītos no īssavienojumiem. Pārļiecinieties, ka akumulātoru iepakojumā nevar paslīdēt. Bojātus vai tekošus akumulātorus nedrīkst transportēt. Plašāku informāciju Jūs varat saņemt no ekspedīcijas uzņēmuma.

AKUMULĀTORA AIZSARDZĪBA PRET PĀRSLOGOJUMU

Akumulātoru pārsllogojuma gadījumos, esot ļoti lielam elektroenerģijas patēriņam, piem., ārkārtīgi augsts griezes moments, pēķšņa apstāšanās vai īssavienojums, elektriskais darbarīks 5 sekundes vibrē, uzlādes indikators mirgo, un elektriskais darbarīks pats izslēdzas.

Lai to atkal iesļgtu, atļaidiet iesļģšanas pogu un tad to iesļģdziet no jauna.

Esot ārkārtīgi augstam nosļogojumam, akumulātors sakarst pārāk daudz. Šādā gadījumā visas uzlādes indikatora lampiņas mirgo tik ilgi, kamēr akumulātors ir atdzisīis. Darbu varat turpināt, kad uzlādes indikators vairs nedeg.

Akumulātoru var ievietot lādētājā, lai to atkal uzlādētu un aktivizētu.

APKOPE

Zāģi nedrīkst nekādā veidā modifīcēt, kā arī nedrīkst izmantot piederumus, kas nav ražotāja apstiprināti. Tas var mazināt jūsu un citu drošību.

Neizmantojiet zāģi, ja slēdži, aizsargi vai citas šī zāģa funkcijas nedarbojas, kā paredzēts. Atgrieziet to pilnvarotā servisa centrā, lai veiktu remonta un regulēšanas darbus.

Neveiciet nekādas regulēšanas darbības, kamēr zāģa asmens griežas.



Lat

Izņemiet akumulatoru, pirms veikt regulēšanas, eļļošanas vai apkopes darbus.

Pirms un pēc katras lietošanas reizes pārbaudiet, vai zāģa daļas nav bojātas vai salūzušas, un uzturiet to labā darba kārtībā, nekavējoties nomainot vajadzīgās daļas ar ražotāja apstiprinātām rezerves daļām.

Asmens pēc lietošanas ir ļoti karsts, valkājiet cimdus vai ļaujiet tam atdzist, pirms veikt apkopes vai tīrīšanas darbus.

Notīriet sakrājušos putekļus, izmantojot birsti vai putekļsūcēju. Neizmantojiet saspiestu gaisu.

Lai nodrošinātu drošību un uzticamību, visi remontdarbi, ieskaitot suku maiņu, jāveic pilnvarotā servisa centrā.

Pirms zāģa asmens pievienošanas vai noņemšanas noteikti atslēdziet instrumentu no strāvas padeves.

Iekārtu un aizsardzības aprīkojumu jātīra ar tīru un sausu lupatiņu. Vajag vienmēr uzmanīti, lai būtu tīras dzesēšanas atveres.

REZERVES DAĻAS

Izmantojiet tikai firmu AEG piederumus un firmas rezerves daļas. Lieciet nomaiņīt detaļas, kuru nomaiņa nav aprakstīta, kādā no firmu AEG klientu apkalpošanas servisiem. (Skat. brošūru „Garrantija/klientu apkalpošanas serviss”).

Ja nepieciešams, klientu apkalpošanas servīs vai tieši pie firmas Techtronic Industries GmbH, Max-Eyth-Straße 10, 71364 Winnenden, Germany, var pieprasīt instrumenta numurs, kas norādīts uz jaudas paneļa.

ATBILSTĪBA CE NORMĀM

Mēs ar pilnu atbildību paziņojam, ka izstrādājums, kas raksturots sadaļā „Tehniskie dati”, atbilst visām attiecīgajām prasībām direktīvās

2011/65/ES

2006/42/EK

2014/30/ES

un ir piemēroti šādi saskaņotie standarti

EN 61029-1:2009 + A11:2010

EN 61029-2-9:2012 + A11:2013

EN 55014-1:2006+A1:2009+A2:2011

EN 55014-2: 1997+A1:2001+A2:2008

EN 50581:2012



Winnenden, 2016-12-02

Alexander Krug / Managing Director
Pilnvarotais tehniskās dokumentācijas sastādīšana.

Techtronic Industries GmbH

Max-Eyth-Straße 10, 71364 Winnenden, Germany

SIMBOLI



UZMANĪBU! BĪSTAMI!



Pirms mašīnai veikt jebkāda veida apkopes darbus, ir jāizņem arī akumulators.



Pirms sākt lietot instrumentu, lūdzu, izlasiet lietošanas pamācību.



Strādājot ar mašīnu, vienmēr jānēsā aizsargbrilles.



Nēsāt trokšņa slāpētāju!



Jāvalkā aizsargcimdi!



Atskrūvējiet skrūvi / Griešanās virzienu



Raugieties, lai rokas vienmēr būtu ārpus zāģa diska zonas.



Šis instruments ir piemērots tikai darbam iekštelpās. Sargāt instrumentu no lietus.



Nelūkot cieši lāzera starā.



This product corresponds to the laser class 1 in accordance with EN 60825-1:2014.



Zāģa ripas ārējais diametrs x iekšējais diametrs



Griešanās virzienu



asmens zobi



Griezuma platumš



Elektroiekārtas nedrīkst izmest kopā ar sadzīves atkritumiem. Elektriskās un elektroniskās iekārtas ir jāsavāc atsevišķi un jānodod pārstrādes uzņēmumam, kas no tām atbrīvosies dabai draudzīgā veidā. Meklējiet otrreizējās pārstrādes poligonus un savākšanas punktus vietējās pārvaldes iestādēs vai pie precēs pārdevēja.



CE marķējums



UKrSEPRO atbilstības marķējums.



EurAsian atbilstības marķējums.



Lat

TECHNINIAI DUOMENYS	BPS18-254BL
Traukiamasis kampinis apipjovimo pjūklas *	
Produkto numeris	4601 74 01... ... 000001-999999
Keičiamo akumulatoriaus įtampa	18 V
Sūkių skaičius laisva eiga	3900 min ⁻¹
Pjovimo disko \varnothing x gręžinio \varnothing	254 x 30 mm
Pjūklo disko korpuso storis	1,6 mm
Pjūklo disko dantuko storis	2,2 mm
Maks. kirpimo našumas	
Įstrižo pjūvio kampas horizontalioje plokštumoje 0° / Įstrižo pjūvio kampas vertikaliajoje plokštumoje 0°	90 mm x 305 mm
Įstrižo pjūvio kampas horizontalioje plokštumoje 0° / Įstrižo pjūvio kampas vertikaliajoje plokštumoje 45°	39 mm x 305 mm
Įstrižo pjūvio kampas horizontalioje plokštumoje 0° / Įstrižo pjūvio kampas vertikaliajoje plokštumoje 45°	43 mm x 305 mm
Įstrižo pjūvio kampas horizontalioje plokštumoje 45° / Įstrižo pjūvio kampas vertikaliajoje plokštumoje 0°	90 mm x 215 mm
Įstrižo pjūvio kampas horizontalioje plokštumoje 45° / Įstrižo pjūvio kampas vertikaliajoje plokštumoje 0°	50 mm x 215 mm
Įstrižo pjūvio kampas horizontalioje plokštumoje 45° / Įstrižo pjūvio kampas vertikaliajoje plokštumoje 45°	39 mm x 215 mm
Įstrižo pjūvio kampas horizontalioje plokštumoje 45° / Įstrižo pjūvio kampas vertikaliajoje plokštumoje 45°	43 mm x 215 mm
Min. apdorojamos detalės matmenys	215 x 35 x 2,5 mm
Prietaiso svoris įvertintas pagal EPTA 2003/01 tyrimų metodiką (Li-Ion 5.0 Ah)	16,3 kg
Informacija apie keliamą triukšmą	
Vertės matuotos pagal EN 61029. Įvertintas A įrenginio keliamo triukšmo lygis dažniausiai sudaro:	
Garso slėgio lygis (Paklaida K=3dB(A))	89,0 dB (A)
Garso galios lygis (Paklaida K=3dB(A))	98,5 dB (A)
Nešioti klausos apsauginės priemonės!	
Informacija apie vibraciją	
Bendroji svyravimų reikšmė (trijų krypčių vektorių suma), nustatyta remiantis EN 61029.	
Medienos pjovimas: Vibravimų emisijos reikšmė a_{hh}	1,1 m/s ²
Paklaida K=	1,5 m/s ²

* PS \triangleq Traukiamasis kampinis apipjovimo pjūklas

DĖMESIO!

Instrukcijoje nurodyta svyravimų ribinė vertė yra išmatuota remiantis standartu EN 61029; ji gali būti naudojama keliems elektriniams instrumentams palyginti. Ji taikoma ir laikinai įvertinti svyravimų apkrovą.

Nurodyta svyravimų ribinė vertė yra taikoma pagrindinėse elektrinio instrumento naudojimo srityse. Svyravimų ribinė vertė gali skirtis naudojant elektrinį instrumentą kitose srityse, papildomai naudojant netinkamus elektrinius instrumentus arba juos nepakankamai techniškai prižiūrint. Dėl to viso darbo metu gali žymiai padidėti svyravimų apkrova.

Siekiant tiksliai nustatyti svyravimų apkrovą, būtina atsižvelgti ir į laikotarpį, kai įrenginys yra išjungtas arba įjungtas, tačiau faktiškai nenaudojamas. Dėl to viso darbo metu gali žymiai sumažėti svyravimų apkrova.

Siekiant apsaugoti vartotojus nuo svyravimo įtakos naudojamus papildomas saugos priemones, pavyzdžiui, elektrinių darbo instrumentų techninė priežiūra, rankų šilumos palaikymas, darbo procesų organizavimas.

⚠ DĖMESIO Perskaitykite visas saugumo pastabas ir nurodymus. Jei nepaisysite žemiau pateiktų saugos nuorodų ir reikalavimų, gali trenkti elektros smūgis, kilti gaisras ir/arba galite sunkiai susižaloti arba sužaloti kitus asmenis.

Išsaugokite šias saugos nuorodas ir reikalavimus, kad ir ateityje galėtumėte jais pasinaudoti.

SSAUGUMO INSTRUKCIJŲ

⚠ DĖMESIO

Naudojant elektros įrankius ir norint apsaugoti nuo elektros smūgio, pavojaus nusidenginti ir gaisro, būtina imtis pagrindinių saugumo priemonių. Prieš naudodami šį elektros įrankį, perskaitykite visus nurodymus ir išsaugokite saugumo nurodymus.

Užtikrinkite darbo vietos sąvarą. Netvarkingos vietos ir darbavietos gali sąlygoti sužeidimus.

Atsižvelkite į darbo vietos sąlygas. Saugokite įrankius nuo lietaus. Nedirbkite su įrankiais esant rūkui ar drėgnose vietose. Pasirūpinkite, kad darbo vieta būtų tinkamai apšviesta. Nenaudokite įrankių šalia degių skysčių ar dujų.

Dėmesio! Elektros šoko pavojus. Venkite kūno kontakto su įžemintomis dalimis, tokiomis kaip vamzdžiai, radiatoriai, viryklė ar šaldytuvai.

Neleiskite artynt pašalinių žmonių. Neleiskite kitiems, su darbu nesusijusiems asmenims, ypač vaikams, liesti įrankio arba ilginimo laido ir neleiskite jų į darbo vietą.

Prieš padėdami įrankius į vietą, išjunkite juos. Jeigu įrankių nenaudojate, juos reikia laikyti sausoje, saugiai užrakintoje, vaikams nepasiekiamoje vietoje.

Naudokite tinkamą įrankį. Nenaudokite mažų įrankių ir priedų darbams, kuriems atlikti reikia galingų įrankių.

Tinkamai apsirenkite. Nedėvėkite laisvų drabužių arba papuošalų, nes juos gali įtraukti įrankio sudedamosios dalys.

Lietuviškai

Naudokite apsaugos priemones. Nešiokite apsauginius akinius. Jei atliekate tokius darbus, kuriuos dirbant kyla dulkių, dėvėkite antveidį arba kaukę nuo dulkių.

Niekada netempkite už laido, norėdami išjungti kištuką iš elektros lizdo. Laikykite laidą atokiai nuo karščio, alyvos ir aštrių kampų.

Pritvirtinkite ruošinį. Jei įmanoma, ruošinį suspauskite veržtuvais arba spaustuvais. Tai saugiau, nei prispausti jį ranka.

Per daug neišlįskite ir laikykite pusiausvyrą.

Krupščiai prižiūrėkite įrankius. Pjovimo įrankiai turi būti aštrūs ir švarūs, tada jie veiks geriau ir saugiau. Vadovaukitės nurodymais, kaip tepti ir keisti priedus. Reguliariai tikrinkite įrankio laidus ir, jei jie apgadinti, taisykite laidus įgaliotosiose techninės priežiūros dirbtuvėse. Reguliariai tikrinkite ilginamuosius laidus, jei jie apgadinti – pakeiskite.

Atjunkite įrankius. Išjunkite įrankius iš maitinimo tinklo, jei jų nenaudojate, prieš atlikdami techninės priežiūros darbus ir keisdami priedus, pavyzdžiui, diskus, antgalius ir pjoviklius.

Išimkite reguliavimo varžtus ir veržliarakčius. Prieš pradėdami naudoti įrankį, įpraskite patikrinti, ar nuo jo nuėmėte visus raktus ir reguliavimo veržliarakčius.

Įdėdami akumuliatorių pakuotę įsitinkinkite, kad jungiklis yra išjungtoje padėtyje.

Naudokite darbai lauke tinkamus ilginimo laidus. Jei įrankį reikia naudoti lauke, naudokite tik darbai lauke skirtus ir atitinkamai pažymėtus ilginimo laidus.

Būkite budrūs. Kontroliuokite savo veiksmus, nedirbkite įrankiu, jei esate pavargę.

Prieš naudodami įrankį, atidžiai jį patikrinkite, ar nėra apgadinių arba medžiagos nuovargio. Patikrinkite, ar nėra išsiderinusių arba užstrigusių judamųjų dalių, ar nėra sugedusių dalių, sugadintų apsaugų ar jungiklių, arba kokių nors kitų gedimų, kurie galėtų turėti neigiamos įtakos elektrinio įrankio darbui.

Nenaudokite mašinos, jei neuždėtos apsaugos arba jos veikia netinkamai.

Remontuoti pažeidimus nedelsdami paveskite įgaliotoms dirbtuvėms. Sugedus jungikliui, įrankiu naudotis negalima.

DĖMESIO Naudojant kitus, nei šiame vadove rekomenduojamus priedus ar prijungiamus įtaisus, gali kilti pavojus susižaloti.

Įrankį leidžiama remontuoti tik kvalifikuotiems asmenims. Šis elektrinis įrankis atitinka visus svarbius saugos reikalavimus. Taisyti turėtų tik kvalifikuoti asmenys, naudodami originalias atsargines dalis, priešingu atveju, tai gali kelti didelį pavojų naudotojui.



ĮSTRIZO PJOVIMO STAKLIŲ SAUGOS INSTRUKCIJOS

Visuomet tinkamai ir saugiai pritvirtinkite ruošinį.

Užtikrinti, kad įrenginys stovėtų stabiliai (pvz., pritvirtinti prie darbastalio).

Nešiokite klausos apsaugos priemones. Dėl didelio triukšmo poveikio gali būti pažeidžiama klausos.

Dirbdami su mašina visada užsidėkite apsauginius akinius. Dirbant su diskais ar šurkščia žaliava rekomenduojama mūvėti pirštines, taip pat – avėti tvirtus neslystančius batus, kurie apsaugotų pėdas nuo ruošinių, galinčių nukristi nuo pjovimo vietos.

Prieš atlikdami bet kokius mašinos reguliavimo techninės priežiūros ar valymo darbus visada atjunkite kištuką ar išimkite akumuliatorių pakuotę.

Prieš įdėdami ar išimdami akumuliatorių pakuotę įsitinkinkite, kad mašina išjungta.

Nestovėkite vienoje linijoje su pjovimo disku, esančiu mašinos priekyje.

Visada stovėkite pjovimo disko šone.

Delnai, pirštai ir rankos turi būti atokiai nuo besisukančio pjovimo disko.

Niekada nesiekite vietos šalia disko, kol šis visiškai nesustabdytas.

Prieš naudodami įrankį, atidžiai jį patikrinkite, ar nėra apgadinių arba medžiagos nuovargio. Pažeistas dalis gali remontuoti tik specialistas.

Būtinai naudokite įrenginio saugos įtaisus. Nenaudokite mašinos, jei neuždėtos apsaugos arba jos veikia netinkamai.

Draudžiama užfiksuoti atidarytą stumdomą apsauginį gaubtą.

Jei ruošinys ar diskas įstrigo, išjunkite įstrizų pjovimo stakles.

Palaukite, kol visos judančios dalys sustos, tada ištraukite kištuką iš elektros lizdo ir (arba) išimkite akumuliatorių pakuotę. Tada atlaisvinkite įstrigusį ruošinį.

Niekada neeikskite ir nemodifikuokite pjūklo ar jo funkcijų. Gali kilti pavojus jūsų saugai.

Nenaudokite įskilusių, apgadintų ar deformuotų pjovimo diskų.

Negalima naudoti iš greitapjūvio plieno pagamintų pjovimo diskų.

Naudokite tik aštrius pjovimo diskus. Atbukusius diskus pakeiskite naujais.

Tvarkydami pjovimo diskus naudokite laikiklį arba mūvėkite pirštines.

Naudokite tik tinkamo dydžio diskus. Pjūklo disko skylė turi būti reikiamo dydžio ir formos.

Pjūklo diskai, kurie neatitinka pjūklo tvirtinimo detalio formos, sukasi ekscentriškai, todėl yra prarandama pjūvio kontrolė.

Naudokite tik šiame vadove nurodytus medienos apdirbimo diskus, atitinkančius standartą EN 847-1.

Pjovimo diskui tvirtinti naudokite tik tiekiamas ar vadove nurodytas jungtas, poveržles ir veržles.

Būtina neviršyti ant pjovimo disko nurodyto maksimalaus sukčių skaičiaus.

Pasirinkite pjaunamai medžiagai tinkamą pjovimo diską.

Niekada nenaudokite įstrizų pjovimo staklių kitoms medžiagoms, nei nurodytos šio vadovo skyriuje „Naudojimas pagal paskirtį“, pjauti.

Jei stalo įdėklas nusidėvėjęs ar apgadintas, jį pakeiskite.

Prieš dirbdami atlikite bandomąjį pjūvį neįjungę variklio, kad patikrintumėte disko padėtį, apsaugų veikimą atsižvelgiant į kitas mašinos dalis ir ruošinį.

Nešalinti jokių pjovimo likučių ar kitų pjovimo detalių liekanų, jei mašina veikia, o pjūklo galvutė nėra pradinėje padėtyje.

Gabendami mašiną naudokite tik specialius gabenimo įtaisus, niekada negabenkite ir neimkite mašinos už apsaugų.

Nupjovimo pjūklą gabenkite tik už rankenos, užskendę transportinį skląstį.

Pasirūpinti tvarka, kad ant grindų nesimėtųjų medžiagų atliekos: drožlės, nuopjovos.

Jei pjaunami objektai ilgi, juos tinkamai paremkite.

Apvalaus ar netaisyklingo skersinio pjūvio detalių, pavyzdžiui, malkų, pjaustyti negalima, kadangi pjaunant jų neįmanoma saugiai pritvirtinti. Pjaunant ploščias detales briauna žymen reikia panaudoti tinkamą pagalbinę atramą apsaugai užtikrinti.



Liet

Darbo metu kylančios dulksės dažnai kenkia sveikatai, todėl turėtų nepatekti į organizmą. Naudokite dulkių nusiurbimą, papildomai nešiokite tinkamą apsaugos nuo dulkių kaukę. Kruopščiai pašalinkite, pvz. nusiurbkite, nusėdusias dulkes.

Pjaudami medieną, pjūklą prijunkite prie dulkių siurblio.

Nekeiskite šviesos diodo ar lazerio kito tipo diodu ar lazeriu. Visus remonto darbus turi atlikti gamintojas ar įgaliotasis techninės priežiūros atstovas.

Draudžiama naudoti pjovimo diskus, kurie neatitinka šioje naudojimo instrukcijoje nurodytų žyminių duomenų.

Įrankius transportuoti ir laikyti reikia tam tikslui pritaikytose dėžėse.

Pastebėjus bet kokius mašinos, taip pat ir saugos įrenginių bei pjovimo disko gedimus, tai reikia tuojau pat pranešti už saugumą atsakingam asmeniui.

Atlikdami įžambius, įstrižus arba įžambius kombinuotus pjovimus, sureguliuokite slankiąją tvorelę taip, kad užtikrintumėte tinkamą atstumą nuo asmenų.

Dėl suderinto tiekimo greičio išvengsite pjovimo disko dantukų perkaitinimo, o pjaunant plastiką išvengsite medžiagos išsilydymo.

DĖMESIO LED nekeiskite kita LED.

MEDIENOS PJOVIMO DISKAS YPATINGOS SAUGUMO NUORODOS

Prieš naudodami pjovimo diską ir mašiną atidžiai perskaitykite vadovą ir instrukcijas.

Mašina turi būti geros būklės, suklys nedeformuotas, jis neturi vibruoti.

Nenaudokite pjūklo su neuždėtomis apsaugomis, pasirūpinkite, kad būtų palaikoma tinkama apsaugų darbinė būklė.

Užtikrinkite, kad operatorius būtų tinkamai išmokytas laikytis atsargumo priemonių, reguliuoti mašiną ir dirbti ja.

Naudodami mašiną visada nešiokite apsauginius akinius ir klausos apsaugą. Rekomenduojama mėvėti pirštines, avėti tvirtus neslidžius batus ir ryšėti prijuostę.

Prieš uždėdami bet kokį priedą, paskaitykite apie jį instrukcijų vadove. Netinkamai naudojant priedą galima pridaryti žalos ir padidinti pavojų susižaloti.

Naudokite tik šiame vadove nurodytus diskus, atitinkančius standartą EN 847-1.

Neviršykite maksimalaus, ant pjovimo disko pažymėto greičio. Įsitikinkite, kad ant pjovimo disko pažymėtas greitis yra bent jau lygus greičiui, nurodytam ant pjūklo.

Naudokite tik tinkamo dydžio diskus. Pjūklo disko skylė turi būti reikiamo dydžio ir formos.

Pjūklo diskai, kurie neatitinka pjūklo tvirtinimo detalio formos, sukasi ekscentriškai, todėl yra prarandama pjūvio kontrolė.

Nenaudokite mažesnio ar didesnio skersmens diskų nei rekomenduojama. Jei diskas netelpa ant suklio, nenaudokite jokių tarpiklių.

Kiekvieną kartą prieš naudodami patikrinkite, ar neapgadinti pjovimo disko antgaliai, ar jų išvaizda nėra nejprasta. Apgadinti ar laisvi antgaliai gali atsilaisvinti ir nuskrieti nuo įrankio, taip padidindami susižalojimo pavojų.

Įtrūkusius arba pakitusios formos pjovimo diskus naudoti draudžiama! Nenaudoti apgadintų ir deformuotų pjūklo diskų.

Apgadintą, deformuotą ar įskilusį diską reikia išmesti, jo negalima remontuoti.

Negalima naudoti iš greitapjūvio plieno pagamintų pjovimo diskų.

Įsitikinkite, kad pjovimo diskas tinkamai sumontuotas, prieš naudodami tvirtai suveržkite atraminę veržlę (maždaug 12 Nm suveržimo jėga).

Tvirtinimo varžtus ir veržles reikia veržti naudojant tinkamą veržliarakį ar pan.

Neleidžiama naudoti veržliarakčio pailginimo ar suveržti daužant plaktuku.

Įsitikinkite, kad diskai ir jungės yra švarūs, o movos įdubos yra prieš diską.

Patikrinkite, ar diskas sukasi tinkama kryptimi.

Prieš dirbdami atlikite bandomąjį pjūvį neįjungę variklio, kad patikrintumėte disko padėtį, apsaugų veikimą atsižvelgiant į kitas mašinos dalis ir ruošinį.

Niekada nepalikite mašinos be priežiūros.

Netepkite tepalu besiuskančio disko.

Niekuomet nevalykite ir neatlikite techninės priežiūros darbų, kol aparatas dar veikia, o jo galvutė nėra nuleista.

Niekuomet nebandykite staigiai išjungti mašinos ir sustabdyti greitai besiuskančio disko, užkirsdami jį įrankiu arba kitais daiktais; tokiu būdu galima netyčia sukelti skaudžių nelaimingų atsitikimų.

Prieš keisdami diskus ar atlikdami techninės priežiūros darbus atjunkite pjūklą nuo elektros lizdo arba išimkite akumuliatorių pakuotę.

Būkite atidūs supakuodami arba išpakuodami diską, galima netyčia įsijpauti į aštrų disko antgalį.

Tvarkydami pjovimo diskus naudokite laikiklį arba mėvėkite pirštines.

Diską laikykite originalioje arba kitoje tinkamoje pakuotėje; sausoje vietoje ir atokiai nuo cheminių medžiagų, galinčių apgadinti diską.

YPATINGOS SAUGUMO NUORODOS LAZERIS

Šiame pjūkლე naudojama 1 klasės lazerio spinduliuotė, su maksimaliu <1 mW ir 650 nm bangų ilgiu. Nežiūrėkite tiesiai į optinius instrumentus. Nesilaikant šių taisyklių galima sunkiai susižaloti.

Dirbdami nežiūrėkite į spindulį.

Nenukreipkite lazerio spindulio tiesiai į kitų žmonių akis. Galima sunkiai sužaloti akis.

Neustatykite lazerio taip, kad kas nors galėtų tyčia ar netyčia žiūrėti į lazerio spindulį.

Nežiūrėkite į lazerio spindulį naudodami optinius įrankius.

Nenaudokite lazerio šalia vaikų, neleiskite vaikams naudoti lazerio.

Nemėginkite patys remontuoti lazerio įrenginio.

Nemėginkite patys keisti jokių lazerio įrenginio dalių.

Visus remonto darbus turi atlikti gamintojas ar įgaliotasis techninės priežiūros atstovas.

DĖMESIO Įmontuoto lazerio nepakeiskite kito tipo lazeriu.

Lazerio nekreipkite į atspindinčius paviršius.

Venkite ilgalaikės lazerio spinduliuotės. Lazeris gali skleisti stiprią spinduliuotę.

NAUDOJIMAS PAGAL PASKIRTĮ

Skersavimo bei suleidimo ir įstrižo pjovimo staklės yra skirtos vientsiai ir suleistai medienai, medienai padengtai klijuota fanera, plastikui ar panašioms į medieną medžiagoms pjauti.

Skersavimo bei suleidimo ir įstrižo pjovimo staklės gali naudoti tik suaugę operatoriai, perskaitę instrukcijų vadovą ir suprantantys galimą riziką ir pavojus.



Skersavimo bei suleidimo ir įstrižo pjovimo staklės turi būti užfiksuotos ant tvirtu darbastalo viršaus. Jei pagrindas nėra tvirtai užfiksuotas, pjaunant visa mašina gali pajudėti, todėl padidėja sunkių sužalojimų pavojus.

Skersavimo bei suleidimo ir įstrižo pjovimo staklės yra skirtos nuosklemboms ir įstrižiems pjūviams atlikti. Įvairių pjūvių atlikimo geba nurodyta šiame vadove, gaminio specifikacijoje.

Skersavimo bei suleidimo ir įstrižo pjovimo staklės yra skirtos naudoti sausoje vietoje, kur yra geras apšvietimas ir pakankamas vėdinimas.

Skersavimo bei suleidimo ir įstrižo pjovimo staklės yra skirtos naudoti butyje, todėl turi būti naudojamos tik kaip aprašyta aukščiau, jos nėra skirtos naudoti kitu tikslu.

KITI PAVOJAI

Net naudojant skersavimo bei suleidimo ir įstrižo pjovimo stakles kaip aprašyta, negalima visišškai išvengti tam tikrų liekamųjų pavojų. Galimi toliau nurodyti liekamieji pavojai, todėl operatorius turi būti labai atidus ir jų vengti:

- Pavojus prisiliesti prie neuždengtų besisukančių pjovimo disko dalių.
- Ruošinio ar ruošinio dalių atatranks pavojus dėl netinkamo reguliavimo ar tvarkymo.
- Sugedusių karbido antgalių atšokimas nuo pjovimo disko. Visuomet nešiokite akinius.
- Kvėpavimo sistemos pakenkimas. Dėvėkite kvėpavimo apsaugos kaukę su filtrais, pritaikytais apdirbamai medžiagai. Užtikrinkite pakankamą darbo vietos vėdinimą. Darbo vietoje nevalgykite, negerkite ir nerūkykite.
- Nedėvint efektyvių klausos apsaugos įtaisų galima pakenkti klausai.

DĖMESIO Tam tikrų dažų, dangos ar medžiagų dulksė gali sukelti dirginimą ar alerginę reakciją. Medienos, pavyzdžiui, ažuolo, buko, MDF ar kitų medžiagų dulksė yra kancerogeniškos. Su medžiagomis, kurių sudėtyje yra asbesto, turi dirbti ir jas apdirbti tik kvalifikuoti specialistai.

DĖMESIO Ilgai naudojant įrankį galima sužalojimai, taip pat gali pablogėti sveikata. Jei įrankį reikia naudoti ilgą laiką, būtina reguliariai darykite pertraukas.

AKUMULIATORIAI

Ilgesnį laiką nenaudotus keičiamus akumulatorius prieš naudojimą įkraukite.

Aukštesnė nei 50°C temperatūra mažina keičiamų akumulatorių galią. Venkite ilgesnio saulės ar šilumos šaltinių poveikio.

Įkroviklio ir keičiamo akumulatoriaus jungiamieji kontaktai visada turi būti švarūs.

Kad prietaisas kuo ilgiau veiktų, pasinaudoję juo, iki galo įkraukite akumulatorius.

Siekiant užtikrinti kuo ilgesnį baterijos tarnavimo laiką, reikėtų ją po atlikto įkrovimo iškart išimti iš įkroviklio.

Bateriją laikant ilgiau nei 30 dienų, būtina atkreipti dėmesį į šias nuorodas: bateriją laikyti sausoje aplinkoje, esant apie 27°C temperatūrai. Baterijos įkrovimo lygis turi būti nuo 30% iki 50%. Baterija pakartotinai turi būti įkraunama kas 6 mėnesius.

Ekstremalių apkrovų arba ekstremalios temperatūros poveikyje iš keičiamų akumulatorių gali ištekėti akumulatoriaus skystis. Išsitiesus akumulatoriaus skystį, tuoj pat nuplaukite vandeniu su muilu. Patekus į akis, tuoj pat ne trumpiau kaip 10 minučių gausiai skalaukite vandeniu ir tuoj pat kreipkitės į gydytoją.

Keičiamų akumulatorių nelaikykite kartu su metaliniais daiktais (trumpojo jungimo pavojus).

Sunaudotų keičiamų akumulatorių nedeginkite ir nemeskite į buitines atliekas. AEG siūlo tausojančią aplinką sudėvėtų keičiamų akumulatorių tvarkymą, apie tai teiraukitės prekybos atstovo.

AKUMULIATORIUS IR ĮKROVIKLIS

Suderinama akumulatorių pakuotė (nepriedamas): System GBS

Suderinamas įkroviklis (nepriedamas): System GBS

Keičiamas GBS sistemos akumulatorius kraukite tik „C18“ sistemos įkrovikliais. Nekraukite kitų sistemų akumulatorių.

LIČIO JONŲ AKUMULIATORIŲ PERVEŽIMAS

Ličio jonų akumulatoriams taikomos įstatyminės nuostatos dėl pavojingų krovinių pervežimų.

Šiuos akumulatorius pervežti būtina laikantis vietinių, nacionalinių ir tarptautinių direktyvų ir nuostatų.

Naudotojai šiuos akumulatorius gali naudoti savo transporte be jokių kitų sąlygų.

Už komercinį ličio jonų akumulatorių pervežimą atsako ekspedicijos įmonė pagal nuostatas dėl pavojingų krovinių pervežimo. Pasiruošimo išsiųsti ir pervežimo darbus gali atlikti tik atitinkamai išmokyti asmenys. Visas procesas privalo būti prižiūrimas.

Pervežant akumulatorius būtina laikytis šių punktų:

Siekiant išvengti trumpųjų jungimų, įsitikinkite, kad kontaktai yra apsaugoti ir izoliuoti. Atkreipkite dėmesį, kad akumulatorius pakuotės viduje neslidinėtų. Draudžiama pervežti pažeistus arba tekančius akumulatorius. Dėl detalesnių nurodymų kreipkitės į savo ekspedicijos įmonę.

APSAUGA NUO AKUMULATORIAUS PERKROVOS

Esant akumulatoriaus perkrovai dėl pernelyg didelio srovės suvartojimo, pvz.: itin didelių apsučių, staiga susstabdomo ar trumpojo jungimo, elektrinis įrankis vibruoja 5 sekundes, signalinis įkrovos rodmuo pradeda mirksėti ir elektrinis įrankis automatiškai išsijungia.

Norint įrankį pakartotinai įjungti, reikia atleisti jungiklį ir vėl jį įjungti.

Esant ekstremalioms apkrovoms akumulatorius per stipriai įkaista. Tokiu atveju visos įkrovos lemputės mirksi taip ilgai, kol akumulatoriaus atvėsta. Užgesus įkrovos rodmėmis įrankiu galima naudotis toliau.

Tada akumulatorių reikia įkišti į įkroviklį, kad jis įsikrautų ir veiktų.

TECHNINIS APTARNAVIMAS

Niekaip nemodifikuokite šio pjūklo, nenaudokite gamintojo nepatvirtintų priedų. Galite pakenkti savo ar kitų žmonių saugai.

Nenaudokite pjūklo, jei tinkamai neveikia kokie nors jungikliai, apsaugos ar kitos šio pjūklo funkcijos. Atiduokite prietaisą į įgaliotąjį priežiūros centrą, kad jį profesionaliai suremontuotų ar sureguliuotų.

Neatlikite jokių pakeitimų, kai juda pjovimo diskas.

Prieš atlikdami bet kokius mašinos reguliavimo, tepimo ar techninės priežiūros darbus išimkite akumulatorių pakuotę.

Prieš naudodami ir po naudojimo patikrinkite, ar pjūklas neapgadintas, ar nėra sulūžusių dalių. Palaikykite gerą darbinę būklę iškart pakeisdami apgadintas dalis gamintojo patvirtintomis atsarginėmis dalimis.

Po naudojimo diskai yra labai karšti, todėl mėvokite pirštines arba prieš atlikdami techninės priežiūros ar valymo darbus palaukite, kol diskai atvės.



Liet

Susikaupusias dulkes nuvalykite šepetėliu ar dulkių siurbliu. Nenaudokite suslėgto oro.

Siekiant užtikrinti saugą ir patikimumą, visus remonto darbus, įskaitant šepetėlių keitimą, turi atlikti įgalioto priežiūros centro darbuotojai.

Prieš montuodami ar nuimdami pjūklą geležtę, įrankį nuo elektros maitinimo šaltinio būtinai atjunkite.

Sausu skudurėliu nuvalykite prietaisą ir apsauginį įrenginį.

Įrenginio vėdinimo angos visada turi būti švarios.

PAKAITINĖS DALYS

Naudokite tik AEG priedus ir atsargines dalis. Dalis, kurių keitimas neaprašytas, leidžiama keisti tik AEG klientų aptarnavimo skyriams (žr. garantiją/klientų aptarnavimo skyrių adresus brošiūroje).

Jei reikia, nurodant įrenginio tipą bei specifikacijų lentelėje esantį numerį, iš klientų aptarnavimo skyriaus arba tiesiai iš Techtronic Industries GmbH, Max-Eyth-Straße 10, 71364 Winnenden, Germany, galima užsisakyti prietaiso surinkimo brėžinius.

CE ATITIKTIES PAREIŠKIMAS

Prisimdami visą atsakomybę pareiškiami, kad gaminyje, aprašytame „Techniniuose duomenyse“, atitinka taikomus reikalavimus, išdėstytus direktyvose

2011/65/ES

2006/42/EB

2014/30/ES

ir buvo taikyti šie darnieji standartai

EN 61029-1:2009 + A11:2010

EN 61029-2-9:2012 + A11:2013

EN 55014-1:2006+A1:2009+A2:2011

EN 55014-2: 1997+A1:2001+A2:2008

EN 50581:2012



Winnenden, 2016-12-02

Alexander Krug / Managing Director
Įgaliotas parengti techninius dokumentus.

Techtronic Industries GmbH
Max-Eyth-Straße 10, 71364 Winnenden, Germany

SIMBOLIAI



DĖMESIO! ĮSPĖJIMAS! PAVOJUS!



Prieš atlikdami bet kokius darbus įrenginyje, išimkite keičiamą akumuliatorių.



Prieš pradėdami dirbti su prietaisu, atidžiai perskaitykite jo naudojimo instrukciją.



Dirbdami su įrenginiu visada nešiokite apsauginius akinius.



Nešioti klausos apsaugines priemones!



Lietojiet aizsardzības cimdus!



Atviras varžtas / Sukimosi kryptis



Rankas laikyti kuo toliau nuo diskinio pjūklo.



Prietaisą galima naudoti tik patalpose, saugoti prietaisą nuo lietaus.



Nežiūrėkite į lazerio spindulį.



This product corresponds to the laser class 1 in accordance with EN 60825-1:2014.



Pjovimo disko \varnothing x grežinio \varnothing



Sukimosi kryptis



ašmenys dantys



Pjūvio plotis



Elektros prietaisų negalima išmesti kartu su buitinėmis atliekomis. Būtina rūšiuoti elektros ir elektroninius prietaisus ir atiduoti į atliekų perdirbimo centrą, kad jie būtų utilizuoti netešiant aplinkos. Informacijos apie perdirbimo centrus ir atliekų surinkimo įstaigas teiraukitės vietos įstaigoje arba prekybininko.



CE ženklas



„UkrSEPRO“ atitikties ženklas.



„EurAsian“ atitikties ženklas.

Lietuviškai

TEHNILISED ANDMED	BPS18-254BL
Nurgasaag *	
Tootmisnumber	4601 74 01... ... 000001-999999
Vahetatava aku pinge	18 V
Pöörlemiskiirus tühijooksul	3900 min ⁻¹
Saelehe ø x puuri ø	254 x 30 mm
Saelehe kere paksus	1,6 mm
Saelehe hamba paksus	2,2 mm
Lõikevõimsus max	
Kaldenurk horisontaalne 0°/ Kaldenurk vertikaalne 0°	90 mm x 305 mm
Kaldenurk horisontaalne 0°/ Kaldenurk vertikaalne 45° ↘	39 mm x 305 mm
Kaldenurk horisontaalne 0°/ Kaldenurk vertikaalne 45° ↘	43 mm x 305 mm
Kaldenurk horisontaalne ↘45°/ Kaldenurk vertikaalne 0°	90 mm x 215 mm
Kaldenurk horisontaalne ↘45°/ Kaldenurk vertikaalne 0°	50 mm x 215 mm
Kaldenurk horisontaalne 45°/ Kaldenurk vertikaalne 45° ↘	39 mm x 215 mm
Kaldenurk horisontaalne 45°/ Kaldenurk vertikaalne 45° ↘	43 mm x 215 mm
Min. tooriku määramine	215 x 35 x 2,5 mm
Kaal vastavalt EPTA-protseduurile 01/2003 (Li-Ion 5.0 Ah)	16,3 kg
Müra andmed	
Mööteväärtsused on kindlaks tehtud vastavalt normile EN 61029. Seadme tüüpiline hinnanguline (müratase):	
Helirõhutase (Määramatus K=3dB(A))	89,0 dB (A)
Helivõimsuse tase (Määramatus K=3dB(A))	98,5 dB (A)
Kandke kaitseks kõrvaklappe!	
Vibratsiooni andmed	
Vibratsiooni koguväärtus (kolme suuna vektorsummöödetud EN 61029 järgi).	
Puidu saagimine: Vibratsiooni emissiooni väärtus a _n	1,1 m/s ²
Määramatus K=	1,5 m/s ²

* PS ≙ Nurgasaag

TÄHELEPANU!

Antud juhendis toodud vonketase on mõõdetud EN 61029 standardile vastava mõõtesüsteemiga ning seda võib kasutada erinevate elektriseadmete omavahelises võrdlemises. Antud näitaja sobib ka esmaseks vonkekoormuse hindamiseks.

Antud vonketase kehtib elektriseadme kasutamisel sihtotstarbeliselt. Kui elektriseadet kasutatakse muudel otstarvetel, muude tööriistadega või seda ei hooldata piisavalt võib vonketase siintoodust erineda. Eeltoodu võib vonketaset märkimisväärselt tõsta terves töökeskkonnas.

Vonketaseme täpseks hindamiseks tuleks arvestada ka aega, mil seade on välja lülitatud või on küll sisse lülitatud, kuid ei ole otseselt kasutuses. See võib märgatavalt vähendada kogu töökeskkonna vonketaset.

Rakendage spetsiaalseid ettevaatusabinõusid töötajate suhtes, kes puutuvad töö käigus palju kokku vibratsiooniga. Nendeks abinõudeks võivad olla, näiteks: elektri- ja tööseadmete korraline hooldus, käte soojendamine, töövoo parem organiseerimine.

⚠ TÄHELEPANU Lugege kõik ohutusnõuanded ja juhendid läbi. Ohutusnõuete ja juhiste eiramise tagajärjeks võib olla elektrilöökk, tulekahju ja/või raske vigastused.

Hoidke kõik ohutusnõuded ja juhised edasiseks kasutamiseks hoolikalt alles.

ÜLDISED OHUTUSJUHISED

⚠ TÄHELEPANU

Elektritööriistade kasutamisel tuleb kaitseks elektrilöögi, vigastus- ja tuleohtu eest järgmisi põhimõttelisi ohutusmeetmeid järgida. Lugege enne elektritööriista kasutamist kõik käesolevad juhised läbi ja hoidke ohutusjuhiseid hästi alal.

Hoidke tööala puhas. Segamini alad ja segipaisatud tööpingid kutsuvad esile vigastusi.

Hinnake töökeskkonda. Ärge jätke tööriista vihma kätte. Ärge kasutage tööriista niisketes või märgades paikades. Hoidke tööala hästi valgustatuna. Ärge kasutage tööriista kergestisüttivate vedelike või gaaside läheduses.

Ettevaatust, elektrilöögioht! Välti kehakontakti maandatud asjadega, näiteks torude, radiaatorite, ahjude ja külmkappidega.

Hoidke kõrvalised isikud eemal. Ärge laske kõrvalistel isikutel, eriti lastel, sekkuda tööse, puudutada tööriista või pikendusjuhet ning hoidke nad tööalast eemal.

Pange kasutusel mitteolevad tööriistad hoiale. Sel ajal, kui tööriista ei kasutata, peavad need olema hoistatud kuivas lukustatud kohas, lastele kättesaamatus.

Kasutage õiget tööriista. Ärge kasutage suurekoormuseliste tööde tegemiseks väikseid tööriista.

Riietuge vastavalt. Ärge kandke avaraid rõivaid või ehteid. Need võivad takerduda liikuvatesse osadesse.

Kasutage kaitsevarustust. Kandke kaitseprille. Kasutage näo- või tolmu maski, kui töö käigus tekib tolmu.



Ärge kunagi tömmake juhtmest järsult, et seda pistikupesast lahti ühendada. Hoidke juhe eemal kuumusest, õlist ja teravatest servadest.

Tagage, et töödetaol oleks hästi kinnitatud. Kus võimalik, kasutage klambreid või kruustange, et töödetaol kinnitada. See on käe kasutamistest turvalisem.

Ärge kallutage liiga kaugele ette ja hoidke alati tasakaalu.

Hooldage tööriistu hoolikalt. Hoidke lõiketerad teravad ja puhtad, et need töötaksid paremini ja ohutumalt. Järgige juhiseid määramise ja lisatarvikute vahetamise kohta. Kontrollige regulaarselt juhtmeid ja kahjustuste korral laske need volitatud teenusfirmadel ära parandada. Kontrollige pikendusjuhtmeid regulaarselt, kahjustunud juhtmed vahetage välja.

Ühendage tööriistad lahti. Juhul, kui tööriistad pole kasutuses ja enne nende hooldamist ja lisatarvikute, nagu saeterad, lõiketerad, lõikurid – vahetamisel, lülitage tööriistad vooluvõrgust välja.

Eemaldage reguleerimisvõtmed ja mutrivõtmed. Kujundage välja harjumus kontrollida, kas reguleerimis- ja mutrivõtmed on tööriistalt enne selle käivitamist eemale toimetatud.

Akukomplekti paigaldamisel veenduge, et lüliti oleks asendis „off“ („väljas“).

Kasutage välistingimuste pikendusjuhtmeid. Kui tööriista kasutatakse väljas, kasutage ainult neid pikendusjuhtmeid, mis on ette nähtud kasutamiseks välistingimustes ja vastavalt märgistatud.

Olge valvas. Jälgige, mida teete, kasutage tervet mõistust ja ärge käsitsege tööriista, kui olete väsinud.

Enne kasutamist kontrollige tööriist põhjalikult üle igasuguste võimalike vigastuste või seadme kulumise tuvastamiseks. Kontrollige liikuvate osade, joonduvust, ühenduvust, osade kahjustusi, paigaldust ja mis tahes muid tingimusi, mis võivad mõjutada seadme tööd.

Ärge kasutage seadet, kui kaitsmed ei ole korralikult kinnitatud ega töötä õigesti.

Laske kahjustused kohe volitatud oskustöökojas remontida. Ärge kasutage seadet, kui lüliti ei lülitu sisse ega välja.

TÄHELEPANU Mis tahes muude varuosade, lisaseadmete või tarvikute kasutamise, peale selle, mida soovitatatakse selles kasutusjuhendis, võib tekitada isikukahjustuste ohu.

Laske oma tööriista parandada üksnes selleks volitatud isikul, kellel on vastav kvalifikatsioon. Elektriseadme osade koostöös vastavate ohutuseeskirjadega. Parandustööd võivad teha ainult volitatud teenindajad, kasutades selleks originaalvaruosi. Vastasel juhul võib kasutaja tõsiselt ohtu sattuda.



OHUTUSJUHISED PENDELSAAGIDELE

Kinnitage töödetaol alati ohutult ja turvaliselt.

Kontrollida tuleb, et seade oleks alati stabiilses asendis (nt tööpingile kinnitatud).

Kandke kaitseks kõrvaklappe. Müra toime võib põhjustada kuulmiskadu.

Masinaga töötamisel kanda alati kaitseprille. On soovitatav kasutada lõiketerade ja karedate materjalide käsitsemisel kaitsekindaid ja tegevaid mittelibisevaid jalatseid, mis kaitseksid jalgu juhul, kui seadmele kukuks lõikamise käigus töödetaol.

Viige alati pistik või akukomplekti eemale enne, kui alustate seadme mis tahes kohandamist, hooldust või puhastamist.

Veenduge, et seade oleks enne akukomplekti paigaldamist või eemaldamist välja lülitatud.

Ärge seiske seadme esiosas asetseva saeketta või -teraga kokkugi. Seiske alati saeketta ja -terade suhtes kõrvalsuunas.

Hoidke käed, sõrmed ja käelabrad pöörlevast saekettast, -lehest või -terast ohutus kauguses.

Ärge kunagi puudutage saelehe lähedal olevat pinda, välja arvatud juhul kui leht on täiesti seisma jäänud.

Enne kasutamist kontrollige tööriist põhjalikult üle igasuguste võimalike vigastuste või seadme kulumise tuvastamiseks. Kahjustatud detaile tohib remontida ainult selle ala professionaal.

Kasutage tingimata masina kaitseseadist. Ärge kasutage seadet, kui kaitsmed ei ole korralikult kinnitatud ega töötä õigesti.

Pendelkaitsekatet ei tohi avatud olekus kinnitada.

Kui töödetaol või tera takerdub, lülitage pendelsaag välja. Oodake kõigi liikuvate osade peatumiseni ning eemaldage pistik vooluvõrgust ja/või eemaldage akupakk. Seejärel teostage takerdunud materjali vabastustööd.

Ärge kunagi muutke või muundage saagi ennast või selle funktsioone. Nii võite vähendada oma turvalisust.

Ärge kasutage mõranenud, kahjustunud või deformeerunud saeteri.

Mitte kasutada kiirlõiketerasest valmistatud saelehti.

Kasutage ainult teravaid saekettaid ja -lehti. Vahetage nürid kettad uute vastu välja.

Kasutage terahoidikut või kandke saetera käsitsemisel kaitsekindaid.

Kasutage alati saekettaid, mille siseava suurus ja kuju on õiged.

Saekettad, mis ei sobi sae võlliga, pöörlevad ekstsentriliselt ja põhjustavad tööriista väljumise kasutaja kontrolli alt.

Kasutage ainult selles kasutusjuhendis esitatud tootja poolt soovitatud saekettaid, mis vastavad EN 847-1 standardile.

Kasutage saeketta kinnitamiseks ainult neid äärikuid, alusseibe ja mutreid, mis kuuluvad toote varustusse või on esitatud kasutusjuhendis.

Pidada kinni saelehele märgitud maksimaalsest pöörete arvust.

Lõigatava materjali jaoks valida välja sobiv saeleht.

Ärge kunagi kasutage pöördsaaigi muude kui siin kasutusjuhendis määratletud materjalide lõikamiseks ja vastavalt nende otstarbele.

Vahetage välja tööpingi laud, kui see on kulunud või kahjustunud.

Enne tööle asumist ja seadme käivitamist tehke näiline lööge, mis aitaks saelehe asendit ning kaitsmete toimimist seadme teiste osade ja töödetaolide suhtes kontrollida.

Sel ajal, kui seade töötab ja saepea ei ole puhkeasendis, ei tohi saagimisjärke ega materjalitükke saagimispiirkonnast eemaldada!

Masina transportimisel kasutage ainult transportiseadmeid ja mitte kunagi transporti- või käitlemiskaitsmeid.

Kappa saagi transportida ainult käepideme juures fikseeritud transportimiskaitselga.

Pörand tuleb hoida materjalijääkidest, nt saepurust ja jääkklotsidest puhastada.

Pikad materjalid tuleb sobival viisil toestada.

Ümara või ebakorrapärase ristlõikega detaile (nt küttepuid) ei tohi saagida, sest need ei püsi saagimisel kindlalt paigal. Kui õhukesti lamedaid detaile saetakse nii, et need on serva peal püsti, tuleb need ohutu töötamise tagamiseks toestada sobiva abitõkisega.

Töötamisel tekkiv tolm on sageli tervistkahjustav ning ei tohiks organismi sattuda. Kasutage tolmuaärmemist ning kandke täiendavalt sobivat tolmukaitsemaski. Kogunenud tolm eemaldage põhjalikult, nt imemisega.

Ühendage saag puidu saagimisel tolmuimeja külge.

Ärge vahetage LED või laservalguse seadeldist teise tüüpi vastu. Parandustöid tohivad teostada ainult tootja või selleks volitatud teenuse pakkuja.

Saelehti, mis ei vasta käesoleva kasutusjuhendi karakteristikutele, ei tohi kasutada.

Seadet tuleb transportida ja hoida sobivas pakendis;

Masina, kaitseseadiste või saelehtede vigadest tuleb kohe nende avastamisel teavitada ohutuse eest vastutavat isikut.

Kald- või liitkaldlõigete teostamisel reguleerige liugtõket, et tagada õige vahemaad teraga.

Vältige sobitatud etteandekiirusega saeketta hammaste ülekuumenemist ning plastmasside lõikamisel materjali sulamist.

TÄHELEPANU Ärge vahetage LEDi teise vastu.

PUIDU LÕIKETERA SPETSIAALSSED TURVAJUHISED

Lugege hoolikalt käesolevat kasutusjuhendit ja ohutusjuhised enne saeketaste, -terade, -lehtede ning masina kasutamist.

Seade peab olema heas korras, spindel ei tohi väbeleda ega olla deformeerunud.

Ärge kasutage saagi, kui kaitsmed pole õiges asendis, hoidke kaitsmeid heas töökorras ja hoolikalt hooldatud.

Tagage seadme kasutaja asjakohased ja piisavad teadmised ja oskused masina seadistuste, kohandamise, käsitsemise ja ohutusaabinõude suhtes.

Kasutage alati kaitsesprille ja kuulmiskaitset seadmega töötamisel. On soovitatav kanda kindaid, vastupidavaid mittelibisevaid jalatseid ja põlle.

Enne mis tahes lisatarvikute kasutamist tutvuge kasutusjuhendiga. Tarviku ebaõige kasutamine võib tekitada kahju ning suurendada võimalike kehavigastuste riski.

Kasutage ainult selles kasutusjuhendis eritletud saeteri, mis vastavad EN 847-1 standardile.

Uurige saeketta andmesildile märgitud maksimaalset kiirust. Veenduge, et saeketta andmesildile märgitud maksimaalne kiirus oleks vähemalt samavõrdne saele märgitud kiirusega.

Kasutage alati saekettaid, mille siseava suurus ja kuju on õiged.

Saekettad, mis ei sobi sae võlliga, pöörlevad ekstsentriliselt ja põhjustavad tööriista väljumise kasutaja kontrolli alt.

Ärge kasutage soovitatust suurema või väiksema diameetriga kettaid. Ärge kasutage ühtegi vahedetaili, et sobitada saelehte või -ketast spindli telgede vahele.

Kontrollige enne kasutamist saeketta ja -lehe otsi, et täheldada nende võimalikke kahjustusi või välimuse kõrvalekaldeid. Kahjustunud või lõdvad otsad võivad kasutamisel lenduda ning suurendada kehavigastuse riski.

Mõranenud ning deformeerunud saelehti ei tohi kasutada! Kahjustatud või deformeerunud saekettaid ei tohi kasutada.

Kahjustunud, deformeerunud, moonduvad, purunenud saeleht tuleb ära visata, parandamine ei ole lubatud.

Mitte kasutada kiirlõiketerasest valmistatud saelehti.

Veenduge, et saeleht on korralikult kinnitatud, turvalisuse tagamiseks pinguldage kontramutrit enne seadme kasutamist (kinnituse pingutusmoment umbes 12 Nm).

Kruvide ja mutrite kinnitamiseks ja pinguldamiseks tuleb kasutada sobivaid mutrivõtmeid jne.

Mutrivõtme pikendusi või haamrit ei tohi kinnitite tihendamiseks kasutada.

Veenduge, et saelehed ja äärikud oleksid puhtad ning süvistatud osade kaelused oleksid saeketta vastas.

Veenduge, et saeketas pöörleks õiges suunas.

Enne tööle asumist ja seadme käivitamist tehke näiline lööge, mis aitaks saelehe asendit ning kaitsmete toimimist seadme teiste osade ja töödetaillide suhtes kontrollida.

Ärge kunagi jätke seadet järelevalveta.

Ärge lisage määrdeaineid kettale, kui see töötab.

Ärge kunagi puhastage või hooldage masinat, kui masin veel töötab ja töötlemispea pole seisuasendis.

Ärge kunagi püüdke liikuvat mootorit jõrsult seistada kiiludes tööriista või muud vahendit vastu saeketast, mis võib sel viisil tahtmatult põhjustada raskeid õnnetusi.

Ühendage saag vooluvõrgust lahti või toimetage akukomplekt eemale enne saeketta vahetamist või masina hooldamist.

Olge tähelepanelik ketaste pakkimisel ja lahti pakkimisel, teravad saekettahambad võivad kergesti tekitada vigastusi.

Kasutage terahoidikut või kandke saetera käsitsemisel kaitseskindaid.

Hoidke saekettaid, -lehti ja teri originaal- või muus sobivas pakendis kuivas kohas, eemal kemikaalidest, mis võivad kahjustada ketast.

SPETSIAALSSED TURVAJUHISED LASER

Käesolevas süsteemis kasutatav laservalgus ja laserkiirgus vastavad klassile 1, selle maksimaalne jõudlus on <1mW ja see on 650 nm lainepikkusega. Ärge vaadake optiliste vahenditega otse laserkiirde. Reeglite eiramine võib põhjustada raskeid kehavigastusi.

Ärge jõllitage kiirt, kui töötate masinaga.

Ärge suunake laserkiirt kunagi otse teiste inimeste silmade peale.

Laserkiir võib põhjustada raskeid silmakahjustusi.

Ärge seadke laserit asendisse, mis võiks viia selleni, et inimesed kas kogemata või tahtlikult vaatavad laserkiirde.

Ärge kasutage laserkiire vaatamiseks optilisi vahendeid.

Ärge käsitsege laserit laste läheduses, ärge laske lapsi laseriga mängida.

Ärge üritage laserseadet ise parandada.

Ärge üritage laserseadme ühtegi osa ise vahetada.

Parandustöid tohivad teostada ainult tootja või selleks volitatud teenuse pakkuja.

TÄHELEPANU Ärge vahetage seadmesse integreeritud laserit välja mõnda teist tüüpi laseri vastu.

Ärge suunake laserit peegeldavatele pindadele.

Vältige kokkupuudet laserkiirgusega. Laser võib eraldada ohtlikku kiirgust.

KASUTAMINE VASTAVALT OTSTARBELE

Lükandliit- ja pöörsaaug on mõeldud täispuit- ja liimpuitplaatide, sh koos või ilma liimitud vineeri, plast- ja puidutaloste materjalide saagimiseks.

Lükandliit- ja pöörsaaugi tohivad käsitseta ainult täiskasvanud, kes on lugenud kasutusjuhendit ning on rikidest ja ohtudest teadlikud.

Lükandliit- ja pöörsaaug on projekteeritud kinnitatavaks tugeva ja tasase tööpingi alusraamistiku otsa. Kui alusraam ei ole kinnitatud tugevalt ja kindlalt, võib kogu masin lõiketoomingute ajal liikuda



paigast, mistõttu võib omakorda tõusta raskete kehavigastuste risk.

Lükandliit- ja pöördsaa on mõeldud eeskätt kaldserv- ja nurklõigete tegemiseks. Täpsem info, milliseid eri lõiketüüpe masina abil võib teha, leiate käesoleva kasutusjuhendi toote spetsifikatsioonidest.

Lükandliit- ja pöördsaa on mõeldud kasutamiseks kuivas, suure-pärase ümbriseva valgustuse ja piisava õhutusega kohas.

Lükandliit- ja pöördsaa on mõeldud tavakasutuseks ning seda tohib käsitseda sihtotstarbeliselt ülal toodud reeglite järgi; kõik muud kasutusviisid ei ole ette nähtud ja seega mitte lubatud.

JÄÄKOHUD

Isegi lükandliit- ja pöördsaa niuete kohasel kasutamisel ei ole võimalik täielikult vältida teatud jääkriske. Töötamisel võivad esile kerkida järgmised ohud, mille vältimiseks tuleb masina käsitsejal erilist tähelepanu pöörata:

- Koppupuuteht katmata pöörlevate saeketta osade suhtes.
- Toorikud, töödetaidid või nende osad võivad ebaõigese seadistuse või käsitsemise tagajärjel vastu pörkuda.
- Saeketta vigased karbiidhambad võivad välja paiskuda. Kandke alati kaitseprille või silmakaitset.
- Hingamisteede kahjustusi. Kandke alati hingamisteede kaitseks mõeldud filtriga maske, mis sobivad töödeldavate materjalide puhul kasutamiseks. Tagage töökohas hea õhuvahetus. Ärge sööge, jooge ega suitsetage tööruumis.
- Efektive kuulmiskaitse puudumine võib põhjustada kuulmiskahjustusi.

TÄHELEPANU Teatud liiki värvidelt, kattekihtidelt ja materjalidelt eralduv tolm võib esile kutsuda ärritust ja allergilisi reaktsioone. Puude nagu tamme, pöõgi, MDF-plaadi ning muude materjalide tolm on kantserogeenne. Asbesti sisaldavaid materjale tohivad käidelda või töödelda ainult selleks volitatud ja kvalifitseeritud spetsialistid.

TÄHELEPANU Tööriista pikaajaline kasutamine võib põhjustada või süvendada tervisekahjustusi. Kasutades mis tahes tööriista korraga pikalt, on vajalik teha regulaarseid pause.

AKUD

Pikemat aega mittekasutatud akusid laadige veel enne kasutamist.

Temperatuur üle 50 °C vähendab vahetatava aku töövoimet. Vältige pikemat soojenemist päikese või kütteseadme mõjul.

Hoidke laadija ja vahetatava aku ühenduskontaktid puhtad.

Optimaalse patareie eluea tagamiseks, pärast kasutamist lae patareiplokk täielikult.

Akud tuleks võimalikult pika kasutusea saavutamiseks pärast täislaadimist laadijast välja võtta.

Aku ladustamisel üle 30 päeva: Ladustage akut kuivas kohas ja 27°C juures. Ladustage akut u 30-50% laetussisundis. Laadige aku iga 6 kuu tagant täis.

Äärmuslikul koormusel või äärmuslikul temperatuuril võib kahjustatud vahetatavast akust akuedelik välja voolata. Akuedelikuga kokkupuutumise korral peske kohe vee ja seebiga. Silma sattumise korral loputage kiiresti põhjalikult vähemalt 10 minutit ning pöörduge viivitamatult arsti poole.

Ärge säilitage vahetatavaid akusid koos metalliesemetega (lühiseoht).

Ärge visake tarvitatud vahetatavaid akusid tulle ega olmeprügisse. AEG pakub vanade akude keskkonnahoidlikku käitlust; palun küsige oma erialaselt tarnijat.

AKU JA AKULAADUR

Ühilduv akukomplekt (ei kuulu komplekti): System GBS

Ühilduv akulaadur (ei kuulu komplekti): System GBS

Laadige süsteemi GBS vahetatavaid akusid ainult süsteemi GBS laadijatega. Ärge laadige nendega teiste süsteemide akusid.

LIITIUMIOONAKUDE TRANSPORTIMINE

Liitiumioonakud on allutatud ohtlike ainete transportimisega seonduvatele õigusaktidele.

Nende akude transportimine peab toimuma kohalikest, sise-riiklikest ja rahvusvahelistest eeskirjadest ning määrustest kinni pidades.

Tarbijad tohivad neid akusid edasiste piiranguteta tänaval transportida.

Liitiumioonakude komertstransport ekspedeerimistevõtete kaudu on allutatud ohtlike ainete transportimisega seonduvatele õigusaktidele. Tarne-ettevalmistusi ja transporti tohivad teostada eranditult vastavalt koolitatud isikud. Kogu protsessi tuleb asjatundlikult jälgida.

Akude transportimisel tuleb järgida järgmisi punkte:

Tehke kindlaks, et kontaktid on lühiste vältimiseks kaitsud ja isoleeritud. Pöörake tähelepanu sellele, et akupakk ei saaks pakendis nihkuda. Kahjustatud või välja voolanud akusid ei tohi kasutada. Pöörduge edasiste juhiste saamiseks ekspedeerimistevõtete poole.

AKU KOORMUSKAITSE

Aku ülekoormamisel kõrge voolutarbimisega, nt puuri blokeerumisel, lühise tekkimisel või ülilõigetel pöõretel, vibreerib elektritööriist 5 sekundit, laadimistuli vilgub ja tööriist lülitub automaatselt välja.

Uuesti sisse lülitamiseks tuleb päästik esmalt vabastada ning seejärel uuesti alla suruda.

Ülisuurel koormusel võib aku kuumeneda kõrgete temperatuurideni. Sellisel juhul vilguvad kõik laadimistulukesed kuni aku jahtumiseni. Peale laadimistulukeste kustumist võite tööd jätkata.

Aku tuleb laadimiseks ja taasaktiveerimiseks sisestada laadimisseadmesse.

HOOLDUS

Ärge modifitseerige saagi mitte ühelgi viisil või kasutage tarvikuid, mis ei ole tootja poolt heakskiidetud. Nii võite vähendada nii oma kui ka teiste turvalisust.

Ärge kasutage saagi, kui sae mis tahes lülitid, kaitsmed või funktsioonid ei tööta nii nagu ette nähtud. Pöörduge volitatud teeninduskeskuse poole professionaalse paranduse ja seadistuse tagamiseks.

Ärge kohandage ega muutke masina seadistust, kui saeketas töötab või veel pöõrleb.

Toimetage akukomplekt eemale enne ümberseadistust, määrdevahendite kasutamist või enne mis tahes masina hooldustöid.

Kontrollige saagi enne ja pärast selle käsitsemist, et tuvastada masina osade võimalikke kahjustusi ning hoida saag suurepärase töökorras, vahetades vigased osad viivitamatult tootja poolt heakskiidetud varuosade vastu välja.

Saeketas on pärast masinaga töötamist väga kuum, kandke kaitsekindaid ja laske masinal enne hooldamist ja puhastamist jahtuda.

Pühkige kogunenud tolm ära harja või tolmuimejaga. Ärge kasutage suruõhku.

Ohutuse ja töökindluse tagamiseks tohib masinat parandada, sh harjaseid vahetada, ainult selleks volitatud teeninduskeskus. Enne saeketta kinnitamist või eemaldamist veenduge, et sae toide on lahti ühendatud. Puhastage seadet ja kaitseesaidit kuiva lapiga. Hoidke masina õhutuspiilud alati puhtad.

VARUOSAD

Kasutage ainult AEG tarvikuid ja tagavaraosi. Detailid, mille väljavahetamist pole kirjeldatud, laske välja vahetada AEG kliendi-teeninduspunktis (vaadake brošüüri garantii / klienditeeninduste aadressid).

Vajaduse korral võite tellida seadme läbilõikejoonise, näidates ära masina tüübi ja andmesildil oleva numbri. Selleks pöörduge klienditeeninduspunkti või otse: Techtronic Industries GmbH, Max-Eyth-Straße 10, 71364 Winnenden, Germany.

EÜ VASTAVUSAVALDUS

Kinnitame oma ainuvastutusel, et „Tehniliste andmete“ all kirjeldatud toode vastab direktiivide kõigile asjakohastele sätetele

2011/65/EU
2006/42/EÜ
2014/30/EU
ning täidetud on järgmiste ühtlustatud standardite nõuded.

EN 61029-1:2009 + A11:2010
EN 61029-2-9:2012 + A11:2013
EN 55014-1:2006+A1:2009+A2:2011
EN 55014-2: 1997+A1:2001+A2:2008
EN 50581:2012



Winnenden, 2016-12-02

Alexander Krug / Managing Director
On volitatud koostama tehnilist dokumentatsiooni.

Techtronic Industries GmbH
Max-Eyth-Straße 10, 71364 Winnenden, Germany

SÜMBOLID



ETTEVAATUST! TÄHELEPANU! OHUD!



Enne kõiki töid masina kallal võtke vahetatav aku välja.



Palun lugege enne käikulaskmist kasutusjuhend hoolikalt läbi.



Masinaga töötades kandke alati kaitseprille.



Kandke kaitseks kõrvaklappe!



Kanda kaitsekindaid!



Lahtine kruvi / Pöörlemissuund



Mitte kunagi ei tohi panna käsi saeketta piirkonda.



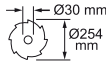
Seade sobib ainult ruumides kasutamiseks, ärge jätke seadet vihma kätte.



Ärge vaadake laserkiirde.



This product corresponds to the laser class 1 in accordance with EN 60825-1:2014.



Saelehe \varnothing x puuri \varnothing



Pöörlemissuund



tera hambad



Lõike laius



Elektriseadmeid ei tohi utiliseerida koos majapidamisprügiga. Elektrilised ja elektroonilised seadmed tuleb eraldi kokku koguda ning keskkonnasõbralikuks utiliseerimiseks vastavas käitlusettevõttes ära anda. Küsige kohalikest pädevatest ametitest või edasimüüjalt käitlusjaamade ja kogumispunktide kohta järele.



CE-märk



UkrSEPRO vastavusmärk.



Euraasia vastavusmärk.



ТЕХНИЧЕСКИЕ ДАННЫЕ	BPS18-254BL
Торцовочная пила *	
Серийный номер изделия	4601 74 01... ... 000001-999999
Вольтаж аккумулятора	18 V
Число оборотов без нагрузки	3900 min ⁻¹
Диаметр диска пилы x диаметр отверстия	254 x 30 mm
Толщина диска пилы	1,6 mm
Толщина зубца пилы	2,2 mm
Ноперечное сечение заготовки макс.	
Скос 0° / Наклон 0°	90 mm x 305 mm
Скос 0° / Наклон 45° ↘	39 mm x 305 mm
Скос 0° / Наклон 45° ↘	43 mm x 305 mm
Скос ↘ 45° / Наклон 0°	90 mm x 215 mm
Скос ↘ 45° / Наклон 0°	50 mm x 215 mm
Скос 45° / Наклон 45° ↘	39 mm x 215 mm
Скос 45° / Наклон 45° ↘	43 mm x 215 mm
Минимальные размеры обрабатываемой детали	215 x 35 x 2,5 mm
Вес согласно процедуре EPTA 01/2003 (Li-Ion 5.0 Ah)	16,3 kg
Информация по шумам	
Значения замерялись в соответствии со стандартом EN 61029. Уровень шума прибора, определенный по показателю A, обычно составляет:	
Уровень звукового давления (Небезопасность K=3dB(A))	89,0 dB (A)
Уровень звуковой мощности (Небезопасность K=3dB(A))	98,5 dB (A)
Пользуйтесь приспособлениями для защиты слуха.	
Информация по вибрации	
Общие значения вибрации (векторная сумма трех направлений) определены в соответствии с EN 61029.	
Пиление дерева: Значение вибрационной эмиссии a _h	1,1 m/s ²
Небезопасность K=	1,5 m/s ²

* PS Δ Торцовочная пила

ВНИМАНИЕ!

Указанный в настоящем руководстве уровень вибрации измерен в соответствии с технологией измерения, установленной стандартом EN 61029 и может использоваться для сравнения электроинструментов друг с другом. Он также подходит для предварительной оценки вибрационной нагрузки.

Указанный уровень вибрации представляет основные виды использования электроинструмента. Но если электроинструмент используется для других целей, используемый инструмент отклоняется от указанного или техническое обслуживание было недостаточным, то уровень вибрации может отклоняться от указанного. В этом случае вибрационная нагрузка в течение всего периода работы значительно увеличивается.

Для точной оценки вибрационной нагрузки необходимо также учитывать время, в течение которого прибор отключен или включен, но фактически не используется. В этом случае вибрационная нагрузка в течение всего периода работы может существенно уменьшиться.

Установите дополнительные меры безопасности для защиты пользователя от воздействия вибрации, например: техническое обслуживание электроинструмента и используемого инструмента, поддержание рук в теплом состоянии, организация рабочих процессов.

ВНИМАНИЕ Ознакомьтесь со всеми указаниями по безопасности и инструкциями. Упущения, допущенные при не соблюдении указаний и инструкций по технике

безопасности, могут стать причиной электрического поражения, пожара и тяжелых травм.

Сохраняйте эти инструкции и указания для будущего использования.

ОБЩИЕ ПРАВИЛА ТЕХНИКИ БЕЗОПАСНОСТИ

ВНИМАНИЕ

При применении электроинструментов необходимо принимать следующие основные меры безопасности для защиты от удара электрическим током, травмирования и пожара. Перед использованием данного электроинструмента прочитайте все эти указания по безопасности и храните их в надежном месте.

Поддерживайте чистоту на рабочем месте. Захламленные участки и верстаки служат источником ранений.

Учитывайте условия на рабочем месте. Не подвергайте инструменты воздействию дождя. Не используйте инструменты во влажной или сырой среде. Поддерживайте надлежащее освещение на рабочем месте. Не используйте инструменты в присутствии воспламеняемых жидкостей и газов.

Внимание! Опасность поражения электрическим током! Избегайте контакта тела к заземленным предметам, такими как трубы, батареи отопления, кухонные плиты или холодильники.

Держите других людей на безопасном расстоянии. Не позволяйте другим людям, не задействованным в

работе, особенно детям, прикасаться к инструменту или удлинителю шнура и не подпускайте их к рабочему месту.

Храните инструменты в выключенном состоянии. Если инструменты не используются, храните их в запортом сухом помещении, недосягаемом для детей.

Используйте правильный инструмент. Не используйте маломощные инструменты для выполнения работ, которые предусматривают использование инструментов высокой мощности.

Одевайтесь надлежащим образом. Не носите украшения, а также незастегнутую и незаправленную одежду, поскольку они могут попасть в движущиеся детали оборудования.

Используйте защитные приспособления. Носите защитные очки. При выполнении пыльных работ носите респиратор или маску для защиты лица.

Ни в коем случае не тяните шнур, чтобы извлечь его из розетки. Не подвигайте шнур воздействием тепла, защищайте его от попадания масла и от контакта с острыми краями.

Фиксируйте рабочую заготовку. Если это возможно, для фиксации заготовки используйте зажимы или тиски. Это более безопасно, чем фиксация вручную.

Не наклоняйтесь слишком сильно вперед и всегда держите равновесие.

Поддерживайте надлежащее состояние инструментов.

Для более эффективной и безопасной работы затачивайте и очищайте режущие инструменты. Следуйте инструкциям по смазыванию и замене принадлежностей. Периодически осматривайте шнуры оборудования и в случае повреждения обращайтесь для ремонта в уполномоченную организацию по обслуживанию. Периодически осматривайте удлинительные шнуры и заменяйте их в случае повреждения.

Рассоединяйте инструменты. Если они не используются, перед обслуживанием и при замене принадлежностей, таких как лезвия, режущие пластины и режущие инструменты, отключайте инструменты от электросети.

Не оставляйте раздвижные и нераздвижные гаечные ключи в оборудовании. Заведите привычку проверять, извлечены ли раздвижные или нераздвижные гаечные ключи из инструмента перед его включением.

При установке аккумуляторной батареи убедитесь в том, что выключатель находится в положении выключения.

При работе вне помещения используйте удлинительные кабели. Если инструмент используется вне помещения, выбирайте только те удлинительные шнуры, которые предназначены для использования вне помещений и имеют соответствующую маркировку.

Сохраниайте бдительность. Следите за тем, что вы делаете, руководствуйтесь здравым смыслом и не используйте инструмент в уставшем состоянии.

Перед использованием всегда тщательно проверяйте инструмент на наличие повреждений или признаков износа материала. Проверяйте выравнивание движущихся деталей, заедание движущихся деталей, поломку деталей, правильность крепления и другие аспекты, которые могут повлиять на работу оборудования.

Не используйте станок, если защитные щитки не установлены или не работают надлежащим образом.

Повреждения должны незамедлительно устраняться в сертифицированном сервисном центре. Не используйте инструмент, если вам не удастся включить и выключить его с помощью выключателя.

ВНИМАНИЕ Использование вспомогательных принадлежностей или дополнительного оборудования, которое не было непосредственно рекомендовано к применению в настоящем руководстве, может создавать риск ранения.

Для ремонта инструмента обращайтесь к квалифицированному специалисту. Настоящий электроинструмент соответствует всем применимым нормам безопасности. Ремонт должен выполняться только квалифицированными специалистами с использованием оригинальных запчастей, в противном случае оборудование может представлять опасность для пользователя.

ИНСТРУКЦИЯ ПО БЕЗОПАСНОЙ ЭКСПЛУАТАЦИИ ТОРЦОВОЧНОЙ ПИЛЫ

Всегда фиксируйте заготовку надежным и безопасным образом.

Удостоверьтесь в том, что машина всегда имеет надежное положение (например, закреплена на верстаке)..

Используйте наушники! Воздействие шума может привести к потере слуха.

Работать с инструментом всегда в защитных очках. При работе с лезвиями и грубыми материалами рекомендуется носить перчатки, а также прочную нескользящую обувь, которая защищает ступни в случае падения рабочей заготовки из области разрезания.

Перед выполнением любых операций по регулировке, обслуживанию или очистке оборудования всегда отключайте вилку питания или аккумуляторную батарею.

Перед установкой и извлечением аккумуляторной батареи всегда проверяйте, выключено ли оборудование.

Не стойте перед станком на одной линии с лезвием пилы.

Всегда стойте сбоку от лезвия.

Держите руки, пальцы и кисти на безопасном расстоянии от вращающегося лезвия пилы.

Ни в коем случае не протягивайте руку по направлению к лезвию до его полной остановки.

Перед использованием всегда тщательно проверяйте инструмент на наличие повреждений или признаков износа материала. Ремонт поврежденных деталей может выполнять только специалист сервисного центра

Всегда пользуйтесь защитной крышкой на инструменте. Не используйте станок, если защитные щитки не установлены или не работают надлежащим образом.

Не фиксируйте поворотное защитное ограждение.

Если заготовка застряла в лезвии, выключите торцовую пилу. Дождитесь, пока все вращающиеся детали остановятся, и выньте вилку из розетки и/или выньте аккумулятор. Затем высвободите застрявший материал.

Ни в коем случае не подвергайте пилу или ее функциональные элементы изменениям или модификациям. Это может повлиять на вашу безопасность.

Не используйте лезвия пилы, если они повреждены, деформированы или имеют трещины.



Не применяйте какие-либо пыльные диски из быстрорежущей стали.

Используйте только острые лезвия пилы. Заменяйте затупленные лезвия новыми.

При съеме или установке лезвия пилы используйте приспособление для крепления лезвия или носите перчатки. Всегда применяйте пыльные полотна с правильными размерами и соответствующим отверстием кожухом.

Используйте только лезвия для деревообработки, указанные в настоящем руководстве и соответствующие стандарту EN 847-1.

Для крепления лезвия пилы используйте только те фланцы, шайбы и гайки, которые входят в комплект поставки или указаны в настоящем руководстве.

Соблюдайте максимальное число оборотов, указанное на пыльном диске.

Выберите пригодное для разрезаемого материала пыльное полотно.

Ни в коем случае не используйте торцовочную пилу для разрезания материалов, не указанных в разделе «Целевое назначение» настоящего руководства.

Заменяйте пластину для пропила в случае износа или повреждения.

Перед работой сделайте тренировочный разрез с включенным двигателем, чтобы проверить заготовку, положение лезвия и работу защитных устройств с учетом других деталей станка.

Не удалять остатки стружки или иные части заготовок из области распиловки, если машина работает, а планшайба круглой пилы не находится в нейтральном положении.

При транспортировке станка используйте только специальные приспособления для транспортировки. Не используйте защитные приспособления для погрузки, разгрузки и транспортировки.

Торцовую пилу транспортируйте только с фиксированным транспортным предохранителем на ручке.

Удаляйте с пола остатки материала, например, опилки и стружку.

Длинные заготовки соответственно подоприте.

Распиловка заготовок с круглым или неправильным поперечным сечением (напр., дров) запрещена, так как при распиловке их нельзя надежно удерживать. При распиловке плоских заготовок по ребру для надежного направления следует использовать подходящий дополнительный упор.

Пыль, образующаяся при работе с данным инструментом, может быть вредна для здоровья и попасть на тело.

Пользуйтесь системой пылеудаления и надевайте подходящую защитную маску. Тщательно убирайте скапливающуюся пыль (напр. пылесосом).

При пилении древесины используйте пилу в сочетании с пылесосом.

Не заменяйте светодиод или лазер устройствами другого типа. Все ремонтные работы должны выполняться производителем или уполномоченным представителем по обслуживанию.

Не применяйте диски, несоответствующих параметров, приведенным в настоящей инструкции по эксплуатации.

Инструменты должны перевозиться и храниться в подходящем контейнере.

В случае обнаружения дефектов в станке, включая защитное устройство или пыльные полотна, сообщите об этом немедленно ответственному лицу.

При выполнении срезов под углом в сорок пять градусов, скосов кромки или сложных наклонных срезов отрегулируйте скользящий ограничитель, чтобы установить необходимый зазор до лезвия.

Посредством адаптации скорости подачи избегайте перегрева зубцов пыльного полотна, а при резке полимерных материалов - расплавления материалов.

ВНИМАНИЕ Не заменяйте светодиод на другой.

ЛЕЗВИЕ ДЛЯ РАЗРЕЗАНИЯ ДРЕВЕСИНЫ РЕКОМЕНДАЦИИ ПО ТЕХНИКЕ БЕЗОПАСНОСТИ

Перед использованием лезвия пилы и станка в целом внимательно прочтите настоящее руководство и инструкции.

Станок должен быть в хорошем состоянии, шпиндель должен быть не поврежден и вращаться без вибрации.

Не используйте пилу, если защитные щитки не установлены, поддерживайте защитные щитки в надлежащем состоянии и выполняйте необходимое обслуживание.

Убедитесь в том, что оператор прошел надлежащее обучение по технике безопасности, настройке и эксплуатации станка.

При использовании станка всегда носите защитные очки и средства защиты слуха. Рекомендуется носить перчатки, прочную нескользящую обувь и фартук.

Перед использованием вспомогательных принадлежностей см. соответствующие инструкции в руководстве. Неправильное использование вспомогательных принадлежностей может стать причиной повреждения оборудования и повышает риск ранения.

Используйте только лезвия, указанные в настоящем руководстве и соответствующие стандарту EN 847-1.

Соблюдайте максимальную скорость вращения, указанную на лезвии пилы. Убедитесь в том, что скорость, указанная на лезвии пилы, как минимум равна скорости, указанной на пиле.

Всегда применяйте пыльные полотна с правильными размерами и соответствующим отверстием кожухом.

Не используйте лезвия с диаметром больше или меньше рекомендованного. Для установки лезвия на шпиндель не используйте какие-либо распорки.

Перед каждым использованием проверяйте зубцы лезвия на наличие повреждений или отклонений от нормы.

Поврежденные или надломленные зубцы могут отлететь во время работы и повышают риск ранения.

Не используйте треснувшие или погнутые полотна пилы. Не используйте поврежденные или деформированные пыльные диски.

Если лезвие пилы повреждено, деформировано, искривлено или имеет трещины, утилизируйте его; ремонт не допускается.

Не применяйте какие-либо пыльные диски из быстрорежущей стали.

Убедитесь в том, что лезвие пилы установлено правильно.

Перед использованием надежно затягивайте гайку на оправке (усилие затяжки прибл. 12 Н·м).



Затягивайте крепежные винты и гайки с помощью подходящего гаечного ключа или аналогичного инструмента.

Удлинение гаечного ключа или затяжка ударами молотка не допускаются.

Убедитесь в том, что лезвие и фланцы имеют чистую поверхность и что утопленные стороны обруча прижаты к лезвию.

Убедитесь в том, что лезвие вращается в правильном направлении.

Перед работой сделайте тренировочный разрез с включенным двигателем, чтобы проверить заготовку, положение лезвия и работу защитных устройств с учетом других деталей станка.

Ни в коем случае не оставляйте машину без присмотра.

Не наносите на лезвие смазку, когда оно вращается.

Ни в коем случае не проводите работы по очистке и техобслуживанию, если станок еще работает и головка не установлена в положение выключения.

Ни в коем случае не пытайтесь остановить работающий станок, прижав инструмент или что-либо иное к лезвию, это может привести к несчастным случаям.

Перед сменой лезвий или проведением техобслуживания отключайте пилу от электропитания или извлекайте аккумуляторную батарею.

Будьте внимательны при распаковке и запакровке лезвия, вы можете легко пораниться острыми зубцами лезвия.

При съеме или установке лезвия пилы используйте приспособление для крепления лезвия или носите перчатки.

Храните лезвие в оригинальной или другой подходящей упаковке в сухом помещении вдали от химических веществ, которые могут повредить лезвие.

РЕКОМЕНДАЦИИ ПО ТЕХНИКЕ БЕЗОПАСНОСТИ ЛАЗЕР

Лазерное излучение, используемое в настоящей пиле, относится к классу 1 при максимальной мощности < 1 мВт и длине волны 650 нм. Не рассматривайте луч непосредственно с помощью оптических приборов. Несоблюдение этих правил может привести к серьезному ранению.

Не смотрите в луч во время работы.

Не направляйте лазерный луч непосредственно в глаза другим людям. Это может привести к поражению глаз.

Не располагайте лазер таким образом, при котором кто-либо может случайно или умышленно посмотреть в лазерный луч.

Не используйте оптические приборы, чтобы рассматривать лазерный луч.

Не работайте с лазером вблизи детей и не позволяйте детям эксплуатировать лазерное устройство.

Не пытайтесь самостоятельно отремонтировать лазерное устройство.

Не пытайтесь самостоятельно заменять какие-либо детали лазерного устройства.

Все ремонтные работы должны выполняться производителем или уполномоченным представителем по обслуживанию.

ВНИМАНИЕ Не меняйте встроенный лазер на лазер другого типа.

Не направлять лазер на отражающие поверхности.

Не подвергаться лазерному излучению. Лазер может испускать опасное излучение.

ИСПОЛЬЗОВАНИЕ

Передвижная композитная торцевая пила предназначена для распиливания цельной древесины или связанных деревянных заготовок с приклеенным фанерным слоем или без него, для распиливания пластика и материалов, аналогичных древесине.

Передвижная композитная торцевая пила предназначена для использования исключительно взрослыми операторами, ознакомленными с настоящим руководством и понимающими риски и опасности.

Передвижная композитная торцевая пила предназначена для крепления за основание к неразборной столешнице. Если основание не закреплено надлежащим образом, весь станок может перемещаться во время операций разрезания, что повышает возможность ранения.

Передвижная композитная торцевая пила предназначена для выполнения косых и угловых срезов. Режущая способность для разных срезов приведена в спецификации продукта в настоящем руководстве.

Передвижная композитная торцевая пила предназначена для использования в сухих помещениях с хорошим общим освещением и надлежащей вентиляцией.

Передвижная композитная торцевая пила предназначена для использования конечным потребителем и только описанным выше образом; запрещено использовать пилу для любой другой цели.

ОСТАТОЧНЫЕ ОПАСНОСТИ

Даже в том случае, если передвижная композитная торцевая пила используется согласно инструкциям, невозможно полностью исключить определенные остаточные факторы риска. Могут возникнуть указанные ниже опасности, и оператор должен обращать особое внимание, чтобы избежать их.

- Риск контакта с незакрытыми частями вращающегося лезвия пилы.
- Обратный удар от рабочих заготовок или их частей вследствие неправильной регулировки или ненадлежащего обращения.
- Выбрасывание сломанных карбидных зубцов от лезвия пилы. Всегда носите средства защиты глаз.
- Возможно повреждение дыхательной системы. Носите защитные респираторные маски с фильтрами, соответствующими обрабатываемым материалам. Обеспечьте надлежащую вентиляцию рабочей области. Не употребляйте еду и напитки, не курите в рабочей области.
- При отказе от использования эффективных средств защиты слуха возможно повреждение органов слуха.

ВНИМАНИЕ Пыль от определенных красок, покрытий и материалов может вызвать раздражение или аллергическую реакцию. Пыль от таких материалов, как дуб, бук, МДФ и так далее имеет канцерогенные свойства. Работа с асбестосодержащими материалами и их обработка может выполняться только квалифицированными специалистами.

ВНИМАНИЕ Использование инструмента в течение чрезмерно продолжительного времени или с повышенной интенсивностью может привести к ранениям. При использовании инструмента в течение продолжительного времени обязательно делайте регулярные перерывы.



АККУМУЛЯТОР

Перед использованием аккумулятора, которым не пользовались некоторое время, его необходимо зарядить.

Температура свыше 50°C снижает работоспособность аккумуляторов. Избегайте продолжительного нагрева или прямого солнечного света (риск перегрева).

Контакты зарядного устройства и аккумуляторов должны содержаться в чистоте.

Для обеспечения оптимального срока службы аккумулятор необходимо полностью заряжать после использования прибора.

Для достижения максимально возможного срока службы аккумуляторы после зарядки следует вынимать из зарядного устройства.

При хранении аккумулятора более 30 дней: Храните аккумулятор при 27°C в сухом месте. Храните аккумулятор с зарядом примерно 30% - 50%. Каждые 6 месяцев аккумулятор следует заряжать.

Аккумуляторная батарея может быть повреждена и дать течь под воздействием чрезмерных температур или повышенной нагрузки. В случае контакта с аккумуляторной кислотой немедленно промойте место контакта мылом и водой. В случае попадания кислоты в глаза промойте глаза в течение 10 минут и немедленно обратитесь за медицинской помощью.

Не храните аккумуляторы вместе с металлическими предметами во избежание короткого замыкания.

Не выбрасывайте использованные аккумуляторы вместе с домашним мусором и не сжигайте их. Дистрибьюторы компании AEG предлагают восстановление старых аккумуляторов, чтобы защитить окружающую среду.

АККУМУЛЯТОР И ЗАРЯДНОЕ УСТРОЙСТВО

Совместимая аккумуляторная батарея (не входит в комплектацию): System GBS

Совместимое зарядное устройство(не входит в комплектацию): System GBS

Для зарядки аккумуляторов модели GBS используйте только зарядным устройством GBS. Не заряжайте аккумуляторы других систем.

ТРАНСПОРТИРОВКА ЛИТИЙ-ИОННЫХ АККУМУЛЯТОРОВ

Литий-ионные аккумуляторы в соответствии с предписаниями закона транспортируются как опасные грузы.

Транспортировка этих аккумуляторов должна осуществляться с соблюдением местных, национальных и международных предписаний и положений.

Эти аккумуляторы могут перевозиться по улице потребителем без дальнейших обязательств.

При коммерческой транспортировке литий-ионных аккумуляторов экспедиторскими компаниями действуют положения, касающиеся транспортировки опасных грузов. Подготовка к отправке и транспортировка должны производиться исключительно специально обученными лицами. Весь процесс должен находиться под контролем специалиста.

При транспортировке аккумуляторов необходимо соблюдать следующие пункты:

Убедитесь, что контакты защищены и изолированы во избежание короткого замыкания. Следите за тем, чтобы аккумуляторный блок не соскользнул внутри упаковки. Транспортировка поврежденных или протекающих аккумуляторов запрещена. За дополнительными указаниями обратитесь к своему экспедитору.

ЗАЩИТА АККУМУЛЯТОРА ОТ ПЕРЕГРУЗКИ

В случае перегрузки аккумулятора по причине слишком большого потребления электроэнергии, при экстремально большом крутящем моменте, внезапной остановке или коротком замыкании, электроприбор вибрирует в течение 5 секунд, загорается индикатор заряда аккумулятора и электроприбор автоматически выключается. ть работу. Для повторного включения следует отжать кнопку включения и потом снова включить.

При слишком высоких нагрузках аккумулятор перегревается. В этом случае загорятся все лампы индикатора заряда аккумулятора. Когда аккумулятор остынет и лампы погаснут – можно продолжат

Чтобы снова зарядить и активировать аккумулятор, подключите его к зарядному устройству.

ОБСЛУЖИВАНИЕ

Не вносите какие-либо модификации в конструкцию пилы и не используйте принадлежности, не утвержденные производителем. Это может повлиять на вашу безопасность и безопасность в других людей.

Не используйте пилу, если какие-либо выключатели, защитные щитки или другие функциональные элементы не работают надлежащим образом. Верните оборудование в уполномоченный центр обслуживания для профессионального ремонта или настройки.

Не выполняйте какие-либо настройки, когда лезвие пилы находится в движении.

Перед настройкой, смазыванием или любыми операциями по техобслуживанию станка извлекайте аккумуляторную батарею.

Перед каждым использованием и после него проверяйте пилу на наличие повреждений или сломанных деталей и поддерживайте ее в надлежащем рабочем состоянии, немедленно заменяя детали запчастями, утвержденными производителем.

После использования лезвие имеет очень высокую температуру, перед выполнением операций по техобслуживанию или очистке надевайте перчатки.

Удаляйте скопившуюся пыль щеткой или пылесосом. Не используйте сжатый воздух.

Для обеспечения безопасности и надежности все ремонтные работы, включая замену щеток, необходимо выполнять в уполномоченном центре обслуживания.

Отключите инструмент от питающей сети перед установкой или снятием режущего полотна.

Очищать прибор и защитное устройство с помощью сухой салфетки.

Всегда держите охлаждающие отверстия чистыми.



РУС

ЗАПАСНЫЕ ДЕТАЛИ

Пользуйтесь аксессуарами и запасными частями только фирмы AEG. В случае возникновения необходимости в замене, которая не была описана, пожалуйста, обращайтесь на один из сервисных центров (см. список наших гарантийных/сервисных организаций).

При необходимости может быть заказан чертеж инструмента с трехмерным изображением деталей. Пожалуйста, укажите номер и тип инструмента и закажите чертеж у Ваших местных агентов или непосредственно у Techtronic Industries GmbH, Max-Eyth-Straße 10, 71364 Winnenden, Germany.

ДЕКЛАРАЦИЯ О СООТВЕТСТВИИ СТАНДАРТАМ ЕС

Мы несем исключительную ответственность за то, что изделие, описанное в разделе «Техническая информация» соответствует всем применимым положениям директив 2011/65/EU, 2006/42/EC, 2014/30/EU

а также следующим согласованным стандартам

EN 61029-1:2009 + A11:2010

EN 61029-2-9:2012 + A11:2013

EN 55014-1:2006+A1:2009+A2:2011

EN 55014-2: 1997+A1:2001+A2:2008

EN 50581:2012



Winnenden, 2016-12-02

Alexander Krug / Managing Director
Уполномочен на составление технической документации.
Techtronic Industries GmbH
Max-Eyth-Straße 10, 71364 Winnenden, Germany

СИМВОЛЫ



ВНИМАНИЕ! ПРЕДУПРЕЖДЕНИЕ! ОПАСНОСТЬ!



Выньте аккумулятор из машины перед проведением с ней каких-либо манипуляций.



Пожалуйста, внимательно прочтите инструкцию по использованию перед началом любых операций с инструментом.



При работе с инструментом всегда надевайте защитные очки.



Пользуйтесь приспособлениями для защиты слуха.



Надевать защитные перчатки!



Отвинчивание винта / Направление вращения



Никогда не протягивайте руки в область пыльного полотна.



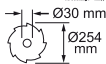
Устройство может использоваться только внутри помещений. Не допускается оставлять устройство под дождем.



Не смотреть на лазерный луч.



This product corresponds to the laser class 1 in accordance with EN 60825-1:2014.



Диаметр диска пилы x диаметр отверстия



Направление вращения



лезвие зубов



Ширина шпобы



Электрические устройства нельзя утилизировать вместе с бытовым мусором. Электрические и электронные устройства следует собирать отдельно и сдавать в специализированную утилизирующую компанию для утилизации (в соответствии с нормами охраны окружающей среды). Сведения о центрах вторичной переработки и пунктах сбора можно получить в местных органах власти или у вашего специализированного дилера.



Знак CE



Знак UkrSEPRO Соответствия



Знак Евразийского Соответствия

Транспортировка:

Категорически не допускается падение и любые механические воздействия на упаковку при транспортировке.

При разгрузке/погрузке не допускается использование любого вида техники, работающей по принципу зажима упаковки.

Хранение:

Необходимо хранить в сухом месте.

Необходимо хранить вдали от источников повышенных температур и воздействия солнечных лучей.

При хранении необходимо избегать резкого перепада температур. Хранение без упаковки не допускается.

Срок службы изделия:

Срок службы изделия составляет 5 лет.

Не рекомендуется к эксплуатации по истечении 5 лет хранения с даты изготовления без предварительной проверки.

Дата изготовления (код даты)

отштампован на поверхности корпуса изделия.

Пример:

A2015, где 2015 - год изготовления

A - месяц изготовления

Определить месяц изготовления можно согласно приведенной ниже таблице.

A - Январь

E - Май

J - Сентябрь

B - Февраль

F - Июнь

K - Октябрь

C - Март

G - Июль

L - Ноябрь

D - Апрель

H - Август

M - Декабрь

Тектроник Индастриз ГмбХ
Германия, 71364, Винненден,
ул. Макс-Ай-Штрассе, 10
Сделано в КНР



Русский

ТЕХНИЧЕСКИ ДАННИ	BPS18-254BL
Циркуляр с циркулярни диска режещи под ъгъл „Mitresaw“ *	
Производствен номер	4601 74 01... ... 000001-999999
Напрежение на акумулатора	18 V
Обороти на празен ход	3900 min ⁻¹
Ø на режещия диск x Ø на отвора	254 x 30 mm
Дебелина на тялото на циркулярния диск	1,6 mm
Дебелина на зъбите на циркулярния диск	2,2 mm
Макс. капацитет на рязане	
Наклон хоризонтално 0° / Наклон вертикално 0°	90 mm x 305 mm
Наклон хоризонтално 0° / Наклон вертикално 45° ↘	39 mm x 305 mm
Наклон хоризонтално 0° / Наклон вертикално 45° ↙	43 mm x 305 mm
Наклон хоризонтално ↘45° / Наклон вертикално 0°	90 mm x 215 mm
Наклон хоризонтално ↙45° / Наклон вертикално 0°	50 mm x 215 mm
Наклон хоризонтално 45° / Наклон вертикално 45° ↘	39 mm x 215 mm
Наклон хоризонтално 45° / Наклон вертикално 45° ↙	43 mm x 215 mm
Мин. размери на заготовката	215 x 35 x 2,5 mm
Тегло съгласно процедурата EPTA 01/2003 (Li-Ion 5.0 Ah)	16,3 kg
Информация за шума	
Измерените стойности са получени съобразно EN 61029. Оцененото с A ниво на шума на уреда е съответно:	
Равнище на звуковото налягане (Несигурност K=3dB(A))	89,0 dB (A)
Равнище на мощността на звука (Несигурност K=3dB(A))	98,5 dB (A)
Да се носи предпазно средство за слуха!	
Информация за вибрациите	
Общите стойности на вибрациите (векторна сума на три посоки) са определени в съответствие с EN 61029.	
Рязане на дърво: Стойност на емисии на вибрациите a _h	1,1 m/s ²
Несигурност K=	1,5 m/s ²

* PS ≙ Циркуляр с циркулярни диска режещи под ъгъл „Mitresaw“

ВНИМАНИЕ!

Посоченото в тези инструкции ниво на вибрациите е измерено в съответствие със стандартизиран в EN 61029 измервателен метод и може да се използва за сравнение на електрически инструменти помежду им. Подходящ е и за временна оценка на вибрационното натоварване.

Посоченото ниво на вибрациите представя основните приложения на електрическия инструмент. Ако обаче електрическият инструмент се използва с друго предназначение, с различни сменяеми инструменти или при недостатъчна техническа поддръжка, нивото на вибрациите може да е различно. Това чувствително може да увеличи вибрационното натоварване по време на целия работен цикъл.

За точната оценка на вибрационното натоварване трябва да се вземат предвид и периодите от време, в които уредът е изключен или работи, но в действителност не се използва. Това чувствително може да намали вибрационното натоварване по време на целия работен цикъл.

Определете допълнителни мерки по техника на безопасност в защита на обслужващия работник от въздействието на вибрациите като например: техническа поддръжка на електрическия инструмент и сменяемите инструменти, поддръжане на ръцете топли, организация на работния цикъл.

⚠ ВНИМАНИЕ Прочетете указанията за безопасност и съветите. Пропуски при спазването на указанията и на инструкциите за безопасност могат да доведат до токов удар, пожар и/или тежки наранявания.

Запазете всички указания и инструкции за безопасност за бъдещето.

ОБЩИ УКАЗАНИЯ ЗА БЕЗОПАСНОСТ

⚠ ВНИМАНИЕ

За защита от токов удар или от опасност от наранявания и изгаряния, спазвайте следните основни мерки за безопасност при употреба на електрически инструменти. Прочетете всички тези инструкции преди употребата на електрическия инструмент и запазете инструкциите за безопасност.

Пазете работната площ чиста. Безпорядъкът на работното място увеличава риска от злополуки и наранявания.

Съобразявайте се с околната среда на работното място. Не излагайте уреда на дъжд и не употребявайте в мокра или влажна среда. Поддържайте работното място добре осветено. Не използвайте инструменти в близост до запалителни течности или газове.

Предпазвайте се от токов удар. Избягвайте контакт със заземени части като тръби, радиатори, печки или хладилници.

Не позволявайте на други хора да се приближават. Не позволявайте на хората, особено на децата, които не участват в работата, да пипат инструмента или удължителния кабел и ги дръжте далеч от работното място.

Прибирайте инструментите, които не използвате. Инструменти, които не се използват, трябва да бъдат съхранявани на сухо, възможно най-високо разположено място извън достъпа на деца.

Не претоварвайте уреда. За всяка работа използвайте подходящ електрически уред. С подходящ електрически уред се работи по-добре и по-безопасно в посочения диапазон на мощност.

Използвайте подходящия инструмент. Не насилвайте малки инструменти да извършват работа, предназначена за тежък инструмент. Не използвайте електроинструмента за цели, за които той не е предназначен. Например не използвайте ръчни циркуляри за рязане на клони или трупи.

Носете подходящо облекло. Не носете широко облекло и бижута. Дръжте косата, облеклото и ръкавиците на безопасно разстояние от подвижните части. За работа на открито препоръчваме нехлъзгащи се работни обувки. Ако имате дълга коса, носете мрежа за коса.

Използвайте защитна екипировка. Използвайте предпазни очила. Използвайте маска за лице или предпазна маска срещу прах, в случай че при работата се отделя прах.

Свързвайте винаги аспирация за прах. Ако може да се монтира изсмукващи устройства и прахоуловители, убедете се, че те са присъединени и се използват правилно.

Не използвайте кабела в противоречие с неговото предназначение. Никога не дърпайте кабела, за да го изключите от контакта. Пазете кабела далеч от високи температури, мазнини и остри ръбове.

Фиксирайте детайла. Използвайте скоби или менгеме за фиксиране на детайла. Така е фиксиран по-безопасно отколкото с ръка.

Не се накланяйте прекалено много напред и пазете равновесие по всяко време.

Отнасяйте се грижливо към инструментите. Поддържайте режещите инструменти остри и чисти за по-добра и по-безопасна работа. Спазвайте инструкциите за смазване и за смяна на инструменти. Редовно проверявайте захранващия кабел на електроинструмента и при повреда го оставете да бъде подновен от сертифициран специалист. Редовно проверявайте удължителните кабели и ги сменете, ако са повредени. Пазете ръкохватките сухи, чисти и без масло и грес.

Изключвайте инструментите. Когато не се използват, преди профилактика и при смяна на аксесоари като остриета, битове и фрези, изключвайте инструментите от захранването.

Отстранете регулиращи и гаечни ключове. Изградете си навик да проверявате дали регулиращите и гаечните ключове са отстранени от инструмента, преди да го включите.

Предотвратете неумишлено пускане в действие. Уверете се, че превключвателят е в позиция „изключен“, когато инсталирате батерия.

Използвайте удължители, предназначени за употреба на открито. Когато работите на открито с електроинструмент, използвайте само удължителни кабели, които са разрешени за работа на открито и са съответно обозначени.

Бъдете нащрек. Внимавайте какво правите, отнасяйте се разумно и не обслужвайте инструмента когато сте уморени.

Преди употреба внимателно проверете инструмента за повреди или умора на материала. Проверете дали подвижните части са нагласени и укрепени, дали части не са счупени, проверете закрепването и всички други условия, които могат да окажат влияние на работата му.

Не използвайте машината ако предпазителите не са на мястото си или не действат правилно.

Отстранете повредите незабавно в оторизиран специализиран сервиз. Не използвайте инструмента ако бутонът за включване/изключване не действа.

ВНИМАНИЕ Използването на всякакви аксесоари или приставки различни от тези, които се препоръчват в това ръководство за експлоатация, може да представлява риск от нараняване.

Ремonti по Вашия електроинструмент трябва да бъдат извършвани от квалифициран електротехник. Този електроинструмент отговаря на съответните правила за безопасност. Ремonti трябва да бъдат извършвани само от квалифициран електротехник, като се използват оригинални резервни части. В противен случай може да се стигне до злополуки с оператора.

ИНСТРУКЦИИ ЗА БЕЗОПАСНОСТ НА ЦИРКУЛЯРНИ ТРИОНИ

Винаги закрепвайте заготовката безопасно и сигурно.

Уверете се, че машината винаги е стабилно разположена (например е закрепена за тегзях)..

Носете средство за защита на слуха. Шумът може да доведе до загуба на слуха.

При работа с машината винаги носете предпазни очила. Препоръчва се носенето на ръкавици при боравене с остриета и суров материал, както и здрави, неплъзгащи се обувки, които също предпазват крака от заготовки, които могат да паднат от областта на рязането.

Винаги изключвайте от мрежата или изваждайте батерията преди да извършвате всякакво регулиране, поддръжка или почистване по машината.

Уверете се, че машината е изключена, преди да монтирате или извадите батерията.

Не стойте в една линия с режещия диск пред машината.

Винаги стойте встрани от режещия диск.

Дръжте дланите, пръстите и ръцете си далеч от въртящия се режещ диск.

Никога не пийайте в пространството около острието, освен ако острието не е напълно спряло.

Преди употреба внимателно проверете инструмента за повреди или умора на материала. Повредени части да бъдат ремонтирани само от специалист.

Предпазните устройства на машината да се използват задължително. Не използвайте машината ако предпазителите не са на мястото си или не действат правилно.

Подвижният предпазител да не се затяга в отворено състояние.

Ако заготовката или острието се блокират, изключете циркулярния трион. Изчакайте всички движещи се части да спрат и изключете щепсела от захранването и/или отстранете батерията. След това освободете блокирания материал.

Никога не променяйте или модифицирайте циркуляра или неговите функции. Вашата сигурност може да бъде в опасност.

Не използвайте циркуляри, които са напукани, повредени или деформирани.

Да не се използват режещи дискове, изработени от бързорезеща стомана.

Използвайте само остри режещи дискове. Сменяйте тъпите остриета с нови.

Използвайте държач за острие или носете ръкавици, когато боравите с режещи дискове.

Винаги използвайте циркулярни дискове с подходящ размер и форма на присъединителния отвор.



БЪЛ

Циркулярни дискове, които не пасват точно на стъпалото на вала, имат бие и могат да предизвикат загуба на контрол над електроинструмента.

Използвайте само режещи дискове за дърво, обозначени в това ръководство, които съответстват на EN 847-1.

За закрепване на циркулярния режещ диск не използвайте никакви фланци, шайби и гайки, различни от тези, предоставени или посочени в ръководството за експлоатация.

Да се спазва максималната честота на въртене, посочена на режещия диск.

Изберете режещ диск, подходящ за материала, който ще се реже.

Никога не използвайте циркуляра за рязане на материали, различни от тези, обозначени в раздела за правилна употреба на това ръководство.

Сменете вложката за маса когато е износена или повредена.

Преди да започнете работа, направете фиктивно рязане, без да включвате мотора, тъй че да можете да проверите позицията на острието, действието на предпазителите спрямо другите части на машината и заготовката.

Не отстранявайте остатъци от рязането или други части от материали, ако машината работи и режещата глава не се намира в състояние на покой.

Когато транспортирате машината използвайте само транспортни устройства и никога не използвайте предпазни прегради при боравене или транспорт.

Отрязната машина за загладяване на чела да се транспортира само с фиксиран транспортен предпазител на ръкохватката.

Почиствайте пода от остатъци от материал - например стърготини и остатъци от рязането.

Дългите детайли да се подпират по подходящ начин.

Материали с кръгъл или неравномерен разрез (например дърва за огрев) не трябва да бъдат рязани, тъй като при рязане не разполагат със стабилна опора. При вертикално рязане на плосък дървен материал следва да се използва подходящ помощен ограничител за сигурно направляване.

При работа на открито или когато в машината могат да попаднат влага или прах, се препоръчва уредът да се свързва чрез защитен прекъсвач за утечен ток с максимално 30 mA ток на задействане.

При рязане на дърво свържете прахоуловител към триона.

Не заменяйте светодиодите и лазерите с такива от различен тип. Всякакви ремонти следва да се извършват само от производителя или от оторизиран сервис.

Режещи дискове, които не отговарят на параметрите в настоящето упътване за експлоатация, не бива да се използват.

Инструментите трябва да бъдат транспортирани и съхранявани в подходяща кутия;

За дефекти на машината, включително на предпазителя или на режещите дискове, трябва да се съобщава на лицето, отговорно за безопасността, веднага след като бъдат открити.

При извършване на ъглово, конусно или комбинирано рязане, регулиращите плъзгащи се предпазител, за да сте сигурни, че режещият диск е на правилното отстояние.

Посредством подходяща скорост на подаване избягвайте преграването на зъбите на циркуляра и разтапянето на материали при рязане на пластмаса.

ВНИМАНИЕ Не подменяйте светодиода (LED) с друг.

РЕЖЕЩО ДИСК ЗА ДЪРВО СПЕЦИАЛНИ УКАЗАНИЯ ЗА БЕЗОПАСНОСТ

Моля, прочетете ръководството и инструкциите внимателно преди да използвате циркуляра и машината.

Машината трябва да е в добро състояние, шпинделът без деформации и да не вибрира.

Не използвайте циркуляра без предпазителите да са в правилна позиция; поддържайте предпазителите в добро работно състояние и правилно сервизирани.

Операторът следва да е подходящо обучен в предпазните мерки, нагласяването и работата на машината.

Винаги носете защитни очила и антифони при използване на машината. Препоръчва се носенето на ръкавици, здрави, неплъзгащи се обувки и работна престилка.

Преди да използвате каквито и да било аксесоари, консултирайте ръководство за експлоатация. Неправилното използване на някой аксесоар може да предизвика повреда и да увеличи риска от нараняване.

Използвайте само режещи дискове, обозначени в това ръководство, които съответстват на EN 847-1.

Спазвайте максималната скорост, обозначена на режещия диск. Уверете се, че скоростта, маркирана на режещия диск е поне равна на скоростта, маркирана на циркуляра.

Винаги използвайте циркулярни дискове с подходящ размер и форма на присъединителния отвор.

Циркулярни дискове, които не пасват точно на стъпалото на вала, имат бие и могат да предизвикат загуба на контрол над електроинструмента.

Не използвайте дискове с по-голям или по-малък диаметър от препоръчания. Не използвайте втулки, за да напаснете диска на шпиндела.

Проверете връхчетата на режещия диск за повреди или нетипичен вид преди всяка употреба. Връхчетата, които са повредени или хлабави, могат да се превърнат в летящи обекти по време на употреба и да увеличат шанса от нараняване.

Да не се използват напукани режещи листове или такива, които са се деформирали! Не използвайте листове на трион, които са повредени или деформирани.

Изхвърлете за скрап режещия диск ако е повреден, деформиран, изкривен или напукан; ремонт не е разрешен.

Да не се използват режещи дискове, изработени от бързорежеща стомана.

Уверете се, че режещият диск е монтиран правилно, стегнете фиксиращата гайка преди употреба по сигурен начин (въртящ момент на затягане прил. 12 Nm).

Закрепващите болтове и гайки следва да бъдат затегнати при използването на подходящия гаечен ключ и т.н.

Удължители за гаечния ключ или използването на чук не са разрешени.

Уверете се, че острието и фланците са чисти и вдлъбнатите страни на втулката са срещу острието.

Уверете се, че острието се върти в правилната посока.

Преди да започнете работа, направете фиктивно рязане, без да включвате мотора, тъй че да можете да проверите позицията на острието, действието на предпазителите спрямо другите части на машината и заготовката.



БЪЛ

Никога не оставяйте машината без надзор.

Не смазвайте режещия диск докато той се върти.

Никога не извършвайте почиствателни или работи по поддръжката докато машината още работи и главата не е в спокойно положение.

Никога не пробвайте да спрете машината в движение бързо, блокирайки острието с някакъв инструмент или по друг начин; така могат да бъдат предизвикани непреднамерено сериозни наранявания.

Изключете циркуляра от мрежата или отстранете батерията преди да смените режещите дискове или да извършвате поддръжка.

Внимавайте при опаковане и разопаковане на режещия диск - лесно е да се нараните от острият върхове на диска.

Използвайте държач за острие или носете ръкавици, когато боравите с режещи дискове.

Съхранявайте и пазете режещия диск в оригиналната опаковка или в друга подходяща опаковка, пазете на сухо и надалеч от химикали, които могат да повредят острието.

СПЕЦИАЛНИ УКАЗАНИЯ ЗА БЕЗОПАСНОСТ ЛАЗЕР

Лазерното излъчване, използвано в този циркуляр, е от Клас 1 с макс. <1 мВ и дължина на вълната 650 нм. Не гледайте пряко в оптически уреди. Неспазването на тези правила би могло да предизвика сериозно нараняване.

Не гледайте директно в лъча по време на работа.

Не насочвайте лазерния лъч директно в очите на други хора. Това може да причини сериозно нараняване на очите.

Не поставяйте лазера в такава позиция, която може да накара някого съзнателно или случайно да погледне в лазерния лъч.

Не използвайте оптически инструменти, за да гледате в лазерния лъч.

Не работете с лазера, когато наоколо има деца и не позволявайте на деца да работят с лазера.

Не пробвайте да ремонтирате лазерното устройство сами.

Не пробвайте да сменят никакви части на лазерното устройство сами.

Всякакви ремонти следва да се извършват само от производителя или от оторизиран сервиз.

ВНИМАНИЕ Не заменяйте вграден в електроинструмента лазер с лазер от друг модел.

Не насочвайте лазера към отражателни повърхности.

Не се подлагайте на лазерно облъчване. Лазерът може да излъчва много силно.

ИЗПОЛЗВАНЕ ПО ПРЕДНАЗНАЧЕНИЕ

Настолният циркулярен трион с плъзгачо се съединение е предназначен за рязане на твърдо дърво или шперплат с или без залепен фурнир, пластмаси и материали, подобни на дърво.

Настолният циркулярен трион с плъзгачо се съединение е предназначен за използване само от пълнолетни оператори, които са прочели ръководството за експлоатация и разбират рисковете и опасностите.

Настолният циркулярен трион с плъзгачо се съединение е предвиден за закрепване в основата към твърд работен плот. Ако основата не е сигурно закрепена, цялата машина може да се движи по време на рязане, което увеличава риска от сериозно нараняване.

Настолният циркулярен трион с плъзгачо се съединение е проектиран за извършване на скосяващо рязане и рязане под ъгъл. Възможностите за различни рязания са посочени в спецификациите на продукта в това ръководство.

Настолният циркулярен трион с плъзгачо се съединение следва да се ползва на сухо, при отлично околно осветление и подходяща вентилация.

Настолният циркулярен трион с плъзгачо се съединение е предназначен за потребителско ползване и следва да се ползва само както е посочено по-горе и не е предназначен за никаква друга цел.

ОСТАТЪЧНИ РИСКОВЕ

Дори когато настолният циркулярен трион с плъзгачо се съединение се ползва по предписание, не е възможно да се елиминират определени остатъчни рискови фактори. Следните опасности могат да възникнат и операторът следва да обърне особено внимание да избягва следното:

- Риск от контакт с непокрити части на въртящия се режещ диск.
- Откат на заготовката или части от нея вследствие неправилна настройка или боравене.
- Изстрелване на дефектни твърдосплавни пластини от циркуляра. Използвайте защита за очите по всяко време.
- Вреда за дихателната система. Носете защитни дихателни маски, съдържащи филтри, подходящи за обработваните материали. Осигурете подходящо проветряване на работното място. Не яжте, не пийте и не пушете на работното място.
- Настъпва увреждане на слуха, ако не се използва ефективна защита за слуха.

ВНИМАНИЕ Прахът от определени бои, лакове и материали може да предизвика раздразнение или алергични реакции.

Прахът от дървесина като дъб, бук, плочи от дървесни влакна със средна плътност (MDF), както и други, е канцероген. Материали, съдържащи азбест, следва да бъдат обработвани или преработвани само от квалифицирани оператори-специалисти.

ВНИМАНИЕ Наранявания могат да бъдат предизвикани или усложнени при продължително използване на един инструмент. Когато използвате какъвто и да било инструмент за по-дълги периоди, винаги правете редовни почивки.

АКУМУЛАТОРИ

Акумулатори, които не са ползвани по-дълго време, преди употреба да се дозаредят.

Температура над 50°C намалява мощността на акумулатора. Да се избягва по-продължително нагряване на слънце или от отопление.

Поддържайте чисти присъединителните контакти на зарядното устройство и на акумулатора.

За оптимална продължителност на живот след употреба батериите трябва да се заредят напълно.

За възможно по-дълга продължителност на живот батериите трябва да се изваждат от уреда след зареждане.

При съхранение на батериите за повече от 30 дни: съхранявайте батерията при approx. 27°C и на сухо място. Съхранявайте батерията при 30 до 50 % от заряда. Зареджайте батерията на всеки 6 месеца.

При екстремно натоварване или екстремна температура от повредени акумулатори може да изтече батерийна течност.



При допир с такава течност веднага измийте с вода и сапун. При контакт с очите веднага изплаквайте старателно най-малко 10 минути и незабавно потърсете лекар.

Не съхранявайте акумулаторите заедно с метални предмети (опасност от късо съединение).

Не извървяйте изхабените акумулатори в огъня или в битовите отпадъци. AEG предлага екологосъобразно събиране на старите акумулатори; моля попитайте Вашия специализиран търговец.

БАТЕРИЯ И ЗАРЯДНО УСТРОЙСТВО

Съвместима батерия (не е включено): System GBS

Съвместимо зарядно устройство(не е включено): System GBS

Акумулатори от системата GBS да се зареждат само със зарядни устройства от системата GBS laden. Да не се зареждат акумулатори от други системи.

ПРЕВОЗ НА ЛИТИЕВО-ЙОННИ БАТЕРИИ

Литиево-йонните батерии са предмет на законовите разпоредби за превоз на опасни товари.

Превозът на тези батерии трябва да се извършва в съответствие с местните, националните и международните разпоредби и регламенти.

Потребителите могат да превозват тези батерии по пътя без допълнителни изисквания.

Превозът на литиево-йонни батерии от транспортни компании е предмет на законовите разпоредбите за превоз на опасни товари. Подготовката на превоза и самият превоз трябва да се извършват само от обучени лица. Целият процес трябва да е под професионален надзор.

Спазвайте следните изисквания при превоз на батерии:

Уверете се, че контактите са защитени и изолирани, за да се избегне късо съединение. Уверете се, че няма опасност от разместване на батерията в опаковката. Не превозвайте повредени батерии или такива с течове. Обърнете се към Вашата транспортна компания за допълнителни инструкции.

ЗАЩИТА ОТ ПРЕТОВАРВАНЕ НА БАТЕРИЯТА

При претоварване на батерията вследствие на голямо потребление на енергия, например изключително високи въртящи моменти, , внезапно спиране или късо съединение, електрическият инструмент вибрира в продължение на 5 секунди, мига индикаторът за зареждане и електрическият инструмент се изключва сам.

За да го включите повторно, освободете превключвателя и след това включете уреда.

При екстремни натоварвания батерията се нагрява значително. В този случай всички светлини на индикатора за зареждане мигат дотогава, докато батерията се охлади. След изгасване на индикатора за зареждане можете да продължите работата с уреда.

Тогава акумулаторът да се включи към зарядното устройство, за да се дозареди и активира.

ПОДДРЪЖКА

Не модифицирайте този циркуляр по никакъв начин и не използвайте аксесоари, които не са разрешени от производителя. Вашата сигурност и сигурността на околните може да бъде в опасност.

Не използвайте този циркуляр ако някои превключватели, предпазители или други функции на циркуляра не работят,

както е предвидено. Отнесете се към оторизиран сервизен център за професионален ремонт или настройване.

Не извършвайте никакви корекции докато циркулярът е в движение.

Отстранете батерията преди да извършвате корекции, да смазвате или когато извършвате каквато и да е поддръжка на машината.

Преди и след всяка употреба проверявайте Вашия циркуляр за повреди или чупени части и го поддържайте в отлично работно състояние, заменяйки повредените части веднага с резервни части, одобрени от производителя.

Острието е много горещо след употреба - носете ръкавици или го оставете да изстине преди поддръжка или почистване.

Почистване натрупалия се прах, използвайте четка или прахосмукачка. Не използвайте гъстен въздух.

За да се гарантират безопасност и надеждност, всички ремонти, включително смяната на четки, трябва да се извършват от оторизиран сервизен център.

Уверете се, че инструментът е с прекъснатото електрическо захранване, преди да поставяте или сваляте режещия диск.

Почиствайте уреда и предпазното съоръжение със суха кърпа. Вентилационните шлицы на машината да се поддържат винаги чисти.

РЕЗЕРВНИ ЧАСТИ

Да се използват само аксесоари на AEG и резервни части на. Елементи, чията подмяна не е описана, да се дадат за подмяна в сервиз на AEG (вижте брошурата „Гаранция и адреси на сервизи“).

При необходимост можете да поискате за уреда от Вашия сервиз или директно от Techtronic Industries GmbH, Max-Eyth-Straße 10, 71364 Winnenden, Germany, чертеж за в случай на експлозия, като посочите типа на машината и номер върху заводската табелка.

СЕ - ДЕКЛАРАЦИЯ ЗА СЪОТВЕТВИЕ

Ние декларираме, изцяло на наша отговорност, че продуктът, описан в „Технически данни“, съответства на всички необходими изисквания на директивите

2011/65/EC

2006/42/EO

2014/30/EC

и че са използвани следните хармонизирани стандарти

EN 61029-1:2009 + A1:2010

EN 61029-2-9:2012 + A1:2013

EN 55014-1:2006+A1:2009+A2:2011

EN 55014-2: 1997+A1:2001+A2:2008

EN 50581:2012



Winnenden, 2016-12-02

Alexander Krug / Managing Director

Упълномощен за съставяне на техническата документация

Techtronic Industries GmbH

Max-Eyth-Straße 10, 71364 Winnenden, Germany

СИМВОЛИ



ВНИМАНИЕ! ПРЕДУПРЕЖДЕНИЕ! ОПАСНОСТ



Преди започване на каквито е да работи по машината извадете акумулатора.



Преди пускане на уреда в действие моля прочетете внимателно инструкцията за използване.



При работа с машината винаги носете предпазни очила.



Да се носи предпазно средство за слуха!



Да се носят предпазни ръкавици!



Развийте винта / Посока на въртене



Внимавайте ръцете Ви да не попаднат в обсега на листа на триона.



Уредът е подходящ за използване само в помещения. Да не се излага на дъжд.



Не гледайте към лазерния лъч.



This product corresponds to the laser class 1 in accordance with EN 60825-1:2014.



Ø на режещия диск х Ø на отвора



Посока на въртене



зъбите на диска



Ширина на рязане



Електрическите уреди не трябва да се изхвърлят заедно с битовите отпадъци. Електрическото и електронното оборудване трябва да се събират отделно и да се предават на службите за рециклиране на отпадъците според изискванията за опазване на околната среда. Информирайте се при местните служби или при местните специализирани търговци относно местата за събиране и центровете за рециклиране на отпадъци.



CE-знак



UkrSEPRO знак за съответствие.



EurAsian знак за съответствие.



DATE TEHNICE Ferăstrău de tăiat corniere / Ferăstrău pentru tăiere oblică *	BPS18-254BL
Număr producție	4601 74 01... ... 000001-999999
Tensiune acumulator	18V
Viteza de mers în gol	3900 min ⁻¹
Diametru lamă x diametru orificiu	254 x 30 mm
Grosimea pânzei fierăstrăului	1,6 mm
Grosimea dinților de la pânza fierăstrăului	2,2 mm
Capacitate de tăiere max. Unghi 0° / Înclinare 0° Unghi 0° / Înclinare 45° ↘ Unghi 0° / Înclinare 45° ↘ Unghi ↘ 45° / Înclinare 0° Unghi ↘ 45° / Înclinare 0° Unghi 45° / Înclinare 45° ↘ Unghi 45° / Înclinare 45° ↘	90 mm x 305 mm 39 mm x 305 mm 43 mm x 305 mm 90 mm x 215 mm 50 mm x 215 mm 39 mm x 215 mm 43 mm x 215 mm
Dimensiunile minimă ale piesei de prelucrat	215 x 35 x 2,5 mm
Greutatea conform „EPTA procedure 01/2003” (Li-Ion 5.0 Ah)	16,3 kg
Informație privind zgomotul Valori măsurate determinate conform EN 61029. Nivelul de zgomot evaluat cu A al aparatului este tipic de: Nivelul presiunii sonore (Nesiguranță K=3dB(A)) Nivelul sunetului (Nesiguranță K=3dB(A))	89,0 dB (A) 98,5 dB (A)
Purtați căști de protecție Informații privind vibrațiile Valorile totale de oscilație (suma vectorială pe trei direcții determinate conform normei EN 61029). Tăiere de lemn: Valoarea emisiei de oscilații a _n Nesiguranță K=	1,1 m/s ² 1,5 m/s ²

* PS ≙ Ferăstrău de tăiat corniere / Ferăstrău pentru tăiere oblică

AVERTISMENT!

Gradul de oscilație indicat în prezentele instrucțiuni a fost măsurat în conformitate cu o procedură de măsurare normată prin norma EN 61029 și poate fi folosit pentru a compara uneltele electrice între ele. El se pretează și pentru o evaluare provizorie a solicitării la oscilații.

Gradul de oscilație indicat reprezintă aplicațiile principale ale uneltele electrice. În cazul în care însă uneltele electrice au fost folosite pentru alte aplicații, ori au fost folosite uneltele de muncă diferite ori acestea nu au fost supuse unei suficiente inspecții de întreținere, gradul de oscilație poate fi diferit.

Acest fapt poate duce la o creștere netă a solicitărilor la oscilații dealungul întregii perioade de lucru. În scopul unei evaluări exacte a solicitării la oscilații, urmează să fie luate în considerație și perioadele de timp în care aparatul a fost oprit ori funcționează dar, în realitate, el nu este folosit în mod practic. Acest fapt poate duce la o reducere netă a solicitărilor la oscilații dealungul întregii perioade de lucru.

Stabiliți măsuri de siguranță suplimentare în scopul protecției utilizatorului de efectele oscilațiilor, de exemplu: inspecție de întreținere a uneltele electrice și a celor de muncă, păstrarea caldă a mâinilor, organizarea proceselor de muncă.

⚠️ AVERTISMENT Citiți toate avizele de siguranță și indicațiile. Nerespectarea indicațiilor de avertizare și a instrucțiunilor poate provoca electrocutare, incendii și/sau răni grave.

Păstrați toate indicațiile de avertizare și instrucțiunile în vederea utilizărilor viitoare.

INDICAȚII GENERALE DE SIGURANȚĂ



AVERTISMENT

La utilizarea sculelor electrice se vor respecta următoarele măsuri de siguranță de bază în vederea protecției împotriva electrocutării, a accidentării și a pericolului de incendiu. Citiți toate indicațiile înainte să utilizați această sculă electrică și păstrați cu grijă indicațiile de siguranță.

Păstrați zona de lucru liberă. Posturile și bancurile de lucru neordonate sporesc riscul de accidente și răni.

Luați în considerare mediul zonei de lucru. Nu expuneți utilajul ploii și nu-l utilizați în mediu umed sau ud. Păstrați zona de lucru bine iluminată. Nu utilizați utilajele în prezența lichidelor sau a gazelor inflamabile.

Feriți-vă de șocuri electrice. Evitați contactul corpului cu obiecte pământate precum țevi, radiatoare, cuptoare sau frigider.

Țineți terțe persoane la distanță. Nu lăsați persoane, în special copii, care nu sunt implicate în lucrări, să atingă utilajele sau cablul prelungitor și țineți-le departe de zona de lucru.

Depozitați utilajele nefolosite. Uneltele care nu sunt folosite trebuie păstrate într-un loc uscat, cât mai înalt, în afara zonei accesibile copiilor, sau în locuri inaccesibile.

Nu suprasolicitați utilajul. Folosiți aparatul electric adecvat pentru munca respectivă. Cu un utilaj electric adecvat se lucrează mult mai bine și mai sigur în domeniul de putere dat.

Utilizați utilajul potrivit. Nu forțați utilajele mici să realizeze sarcinile unui utilaj greu. Nu folosiți unealta electrică în scopuri pentru care aceasta nu este prevăzută. De exemplu nu trebuie să folosiți un ferăstrău circular manual pentru tăierea crengilor din copaci sau a butucilor de lemn.

Purtați îmbrăcăminte adecvată. Nu purtați haine largi și bijuterii. Țineți părul, hainele și mâinile la distanță sigură de părțile în mișcare. Pentru lucrările în exterior recomandăm încălțăminte de lucru antiderapantă. Persoanele cu păr lung trebuie să poarte un fleu pentru păr.

Utilizați echipament de protecție. Utilizați ochelari de protecție. Folosiți mască de praf dacă efectuați operațiuni care generează praf.

Conectați mereu un sistem de aspirare a prafului. Dacă pot fi montate instalații de aspirare și captare a prafului, convingeți-vă că acestea sunt conectate și utilizate corect.

Nu utilizați cablul contrar destinației acestuia, la purtarea aparatului. Nu trageți niciodată de cablu pentru a-l scoate din priză. Păstrați cablul departe de surse de căldură, de ulei sau margini tăioase.

Asigurați piesa de prelucrat. Folosiți dispozitive de strângere sau o menghină pentru a fixa piesa de prelucrat. Astfel, piesa este ținută cu o siguranță mai mare decât cu mâna.

Nu vă întindeți prea mult în exterior și mențineți-vă tot timpul echilibrul.

Păstrați utilajele cu grijă. Păstrați utilajele de tăiat ascuțite și curate pentru o performanță mai bună și mai sigură. Respectați indicațiile privind ungerea și schimbarea uneltelor. Verificați periodic cablul de alimentare al unelei electrice, iar în caz de deteriorare, dispuneți înlocuirea cablului de către un specialist autorizat. Verificați periodic cablurile prelungitoare și înlocuiți-le dacă sunt deteriorate. Păstrați mânerul în stare uscată, curată și liberă de ulei și grăsime.

Deconectați utilajele. Atunci când nu sunt în funcțiune, înainte de service și atunci când se realizează schimbarea accesoriilor, cum ar fi pânze, biți și freze, deconectați utilajele de la sursa de alimentare.

Îndepărtați cheile cu deschidere reglabilă și cheile fixe.

Formați-vă obiceiul de a verifica dacă cheile fixe și cele cu deschidere reglabilă sunt îndepărtate de pe utilaj înainte de a-l porni.

Evitați punerea în funcțiune involuntară a aparatului.

Asigurați-vă că butonul este în poziție "off" când instalați setul de acumulatori.

Utilizați prelungitoare pentru exterior. Dacă lucrați cu o unealtă electrică sub cerul liber, folosiți doar cabluri prelungitoare omologate pentru exterior și marcate corespunzător.

Fiți vigilenți. Fiți atenți la ceea ce faceți, folosiți-vă bunul simț și nu folosiți utilajul când sunteți obosit.

Înainte de utilizare verificați cu atenție utilajul să nu prezinte deteriorări sau zone uzate. Verificați dacă piesele mobile sunt corect alinate și legate, nu prezintă deteriorări, sunt bine montate și orice alte condiții care le-ar putea afecta funcționarea.

Nu utilizați utilajul în cazul în care dispozitivele de protecție nu sunt la locul lor și nu funcționează corect.

Deteriorările trebuie reparate imediat de către un atelier autorizat. Nu utilizați utilajul dacă butonul nu îl pornește / oprește.

AVERTISMENT Utilizarea oricărui alt accesoriu sau atașament decât cele recomandate în acest Manual de utilizare poate avea ca efect riscul de vătămări personale.

Unealta dumneavoastră electrică trebuie reparată de un electrician specializat. Această unealtă electrică corespunde normelor de siguranță relevante. Reparațiile trebuie efectuate doar de un electrician specializat, folosind piese de schimb originale; în caz contrar pot rezulta accidente pentru utilizator.

Fixați întotdeauna piesa de prelucrat cu cleme în condiții de siguranță.

Aveți în vedere ca mașina să aibe mereu o poziție sigură (de ex. fixați-o la bancul de montaj)..

Purtați aparatura de urechi. Expunerea la zgomot poate duce la pierderea auzului.

Purtați întotdeauna ochelari de protecție când lucrați cu mașina. Se recomandă să se poarte mănuși pentru pânzele de manipulare și materialul dur, precum și încălțăminte robustă, anti-alunecare care protejează de piesele care ar putea cădea din zona de tăiere.

Îndepărtați mereu acumulatorii sau scoateți mașina din priză înainte să o transportați, să efectuați lucrări de mentenanță sau de curățenie.

Asigurați-vă că mașina este oprită înainte să instalați sau îndepărtați setul de acumulatori.

Nu stați într-o linie cu pânza de fierăstrău în fața mașinii.

Stați mereu de o parte a pânzei de fierăstrău.

Țineți-vă mâinile, degetele și brațele departe de pânza rotativă de fierăstrău.

Niciodată nu inserați mâna în zona din apropierea pânzei, cu excepția cazului în care pânza s-a oprit complet.

Înainte de utilizare verificați cu atenție utilajul să nu prezinte deteriorări sau zone uzate. Încredințați repararea componentelor defecte numai unor specialiști.

Întotdeauna utilizați ecranele de protecție ale mașinii. Nu utilizați utilajul în cazul în care dispozitivele de protecție nu sunt la locul lor și nu funcționează corect.

Nu fixați aparatul la rabatabilă.

În cazul în care piesa de lucru sau lama se blochează, deconectați ferăstrăul circular. Așteptați ca toate piesele mobile să se oprească și deconectați ștecărul de la sursa de alimentare și/sau scoateți acumulatorul. Apoi eliberați materialul blocat.

Nu modificați niciodată ferăstrăul sau funcția sa. Siguranța dvs. ar putea fi compromisă dacă acționați în acest mod.

Nu folosiți pânze de fierăstrău fisurate, deteriorate sau deformate.

Nu folosiți pânze de ferăstrău din oțel rapid

Folosiți doar pânze de fierăstrău ascuțite. Înlocuiți pânzele toxice cu altele noi.

Folosiți un suport de pânze sau mănuși în momentul în care manipulați o pânză de fierăstrău.

Folosiți întotdeauna pânze de ferăstrău de mărime corespunzătoare și cu orificiu de prindere adecvat.

Pânzele de ferăstrău care nu se potrivesc elementelor de montaj ale ferăstrăului, se vor roti excentric și vor duce la pierderea controlului.

Folosiți doar pânze pentru prelucrare lemnului specificate în acest manual, care aplică standardul EN 847-1.

Nu folosiți flanșe, șaibe și piulițe pentru a fixa pânza de fierăstrău, altele decât cele furnizate sau indicate în acest Manual de utilizare.

Respectați turația maximă indicată pe pânza de ferăstrău.

Folosiți pânza de ferăstrău potrivit pentru materialul care urmează a fi tăiat.

Niciodată nu folosiți ferăstrăul de tăiere oblică pentru a tăia alte materiale decât cele specificate în secțiunea aferentă din acest Manual de utilizare.

Puneți la loc inserția mesei atunci când este uzată sau deteriorată.



Înainte de începerea lucrărilor, faceți o tăietură test fără motorul pornit, astfel încât poziția pânzei, funcționarea dispozitivelor de siguranță cu privire la alte organe ale mașinii și piesa de prelucrat să poată fi verificate.

Nu îndepărtați resturi de tăiere sau alte părți de piesă din zona de tăiere atâta timp cât mașina se află în mișcare, iar capul fierăstrăului nu a ajuns în poziția de repaus.

Atunci când transportați aparatul, folosiți numai dispozitivele de transport adecvate și nu utilizați dispozitive de siguranță pentru manipularea sau transport.

Transportați ferăstrăul de spintecat numai cu siguranța de transport de la mânerul de transport blocată.

Păstrați podeaua liberă de resturi de material, de ex. așchii și resturi de la tăiatul lemnului.

Piese lungi se vor sprijini în mod corespunzător.

Nu este permis ca piesele cu secțiune circulară sau neregulată (de ex. lemne de foc) să fie tăiate la fierăstrău, întrucât în timpul tăierii ele nu sunt fixate în condiții de siguranță. La tăierea pieselor plane în poziție verticală trebuie utilizat un opritor auxiliar adecvat în vederea asigurării unei ghidări sigure.

Praful care apare când se lucrează cu această sculă poate fi dăunător sănătății și prin urmare nu trebuie să atingă corpul. Utilizați un sistem de absorbție a prafului și purtați o mască de protecție împotriva prafului. Îndepărtați cu grijă praful depozitat, de ex. cu un aspirator.

Conectați ferăstrăul la un aspirator de praf atunci când tăiați lemn.

Nu înlocuiți LED-ul sau laser-ul cu un alt tip. Orice reparații trebuie efectuate numai de către producător sau agentul de service autorizat.

Nu utilizați lamele care nu corespund datelor oferite în prezentele Instrucțiuni de utilizare.

Sculele trebuie transportate și depozitate în recipiente corespunzătoare;

Eventualele deranjamente ale mașinii, inclusiv cele la instalația de protecție respectiv la pânzele de ferăstrău, trebuie comunicate fără întârziere persoanei responsabile pentru siguranță.

În momentul realizării unor tăieturi oblice, conice sau combinate, ajustați fața glisantă pentru a asigura distanța corectă a cuțitului.

Prin utilizarea unei viteze de avans adecvate evitați supraîncălzirea dinților pânzei de ferăstrău iar la tăierea materialului plastic, evitați topirea acestuia.

AVERTISMENT Nu înlocuiți LED-ul cu un alt tip.

PÂNZA TĂIERE LEMN INSTRUCȚIUNI DE SECURITATE

Vă rugăm să citiți manualul și instrucțiunile cu atenție înainte de a utiliza pânza de fierăstrău și mașina.

Aparatul trebuie să fie în stare bună, iar axul fără deformări și vibrații.

Nu folosiți fierăstrăul fără dispozitivele de protecție în poziție, păstrați dispozitivele de protecție în stare bună de funcționare și întreținute în mod corespunzător.

Asigurați-vă că operatorul este instruit suficient cu privire la prevederile de protecție, ajustări și operarea mașinii.

Purtați întotdeauna ochelari și căști de protecție atunci când utilizați mașina. Se recomandă să se poarte mănuși, încălțăminte robustă, anti-alunecare și șorț.

Înainte de a utiliza orice accesoriu, consultați Manualul de instrucțiuni. Utilizarea improprie a unui accesoriu poate provoca daune și creșterea potențialului de vătămare.

Folosiți doar pânze specificate în acest manual, care aplică standardul EN 847-1.

Observați viteza maximă marcată pe pânza de fierăstrău. Asigurați-vă că viteza marcată pe pânză este cel puțin egală cu viteza marcată pe fierăstrău.

Folosiți întotdeauna pânze de ferăstrău de mărime corespunzătoare și cu orificii de prindere adecvate.

Pânzele de ferăstrău care nu se potrivesc elementelor de montaj ale fierăstrăului, se vor roti excentric și vor duce la pierderea controlului.

Nu folosiți pânze de diametru mai mare sau mai mic, altele decât cele recomandate. Nu folosiți distanțiere pentru a potrivi pânza pe ax.

Înainte de fiecare utilizare verificați vârful pânzei de fierăstrău pentru deteriorări sau aspect anormal. Vârful care sunt deteriorate sau slăbite pot deveni obiecte mobile, care zboară și astfel cresc șansele de vătămare corporală.

Nu folosiți lame de ferăstrău crăpate sau deformate. Nu folosiți pânze de circular deteriorate ori deformate.

Evacuați pânza de fierăstrău la fier vechi dacă este deteriorată, distrusă sau fisurată, repararea ei nu este permisă.

Nu folosiți pânze de ferăstrău din oțel rapid

Asigurați-vă că pânza de fierăstrău este montat corect, strângeți piulița de siguranță înainte de utilizare (cuplu de strângere aprox. 12 Nm).

Șurubul de fixare și piulițele trebuie să fie strânse cu ajutorul cheii adecvate, etc.

Extinderea cheii de piulițe sau a străngerii folosind lovituri de ciocan, nu este permisă.

Asigurați-vă că pânza și flanșele sunt curate și laturile cavităților gulerului sunt poziționate contra pânzei.

Asigurați-vă că pânza se rotește în direcția corectă.

Înainte de începerea lucrărilor, faceți o tăietură test fără motorul pornit, astfel încât poziția pânzei, funcționarea dispozitivelor de siguranță cu privire la alte organe ale mașinii și piesa de prelucrat să poată fi verificate.

Nu lăsați mașina niciodată nesupravegheată.

Nu aplicați lubrifianți pe pânză atunci aceasta este în funcțiune.

Nu efectuați nicio operațiune de curățare sau de întreținere atunci când aparatul este încă în funcțiune, iar capul nu se află în poziția de repaus.

Nu încercați niciodată să opriți o mașină aflată în mișcare prin inserarea rapidă a unei scule sau a altui instrument contra pânzei - accidente grave pot fi cauzate neintenționat în acest fel.

Decuplați fierăstrăul de la sursa de alimentare sau scoateți acumulatorul înainte de schimbarea pânzelor sau efectuarea întreținerii.

La ambalare și dezambalare acordați mare atenție pânzei, este ușor să vă răniți la vârful ascuțite ale ei.

Folosiți un suport de pânze sau mănuși în momentul în care manipulați o pânză de fierăstrău.

Păstrați și depozitați pânza în ambalajul ei original sau în alt ambalaj adecvat, pentru ca ea să stea în condiții uscate și departe de substanțe chimice care o pot deteriora.



INSTRUCȚIUNI DE SECURITATE LASER

Radiația laser utilizată la acest tip de fierăstrău este Clasa 1 cu o valoare maximă <1mW și lungimi de undă 650nm. Nu priviți direct cu instrumente optice. Nerespectarea regulilor poate duce la vătămări corporale grave.

Nu priviți direct în fasciculul de lumină în timpul funcționării.

Nu proiectați fasciculul laser direct în ochii altor persoane. Efectul ar putea fi vătămarea corporală gravă a ochilor.

Nu așezați laserul într-o poziție care poate determina pe cineva să privească în fasciculul laser în mod intenționat sau neintenționat.

Nu utilizați instrumente optice pentru a vizualiza fasciculul laser.

Nu operați laserul în jurul copiilor și nici nu le permiteți să îl utilizeze.

Nu încercați să reparați dispozitivul cu laser dvs. personal.

Nu încercați să modificați orice părți ale dispozitivului cu laser dvs. personal.

Orice reparații trebuie efectuate numai de către producător sau agentul de service autorizat.

AVERTISMENT Nu înlocuiți laserul încorporat cu un laser de alt tip. Nu îndreptați laserul asupra unor suprafețe reflectorizante. Evitați expunerea la radiația laserului. Laserul poate emite o radiație intensă.

CONDIȚII DE UTILIZARE SPECIFICATE

Fierăstrăul cu mitră compus, glisant este destinat tăierii lemnului masiv și a lemnului lipit, cu sau fără furnir înleiat, a materialelor plastice, și a altor materiale similare lemnului.

Fierăstrăul cu mitră compus, glisant este destinat să fie utilizat numai de către operatorii adulți, care au citit manualul de instrucțiuni și care au înțeles riscurile și pericolele aferente.

Fierăstrăul cu mitră compus, glisant este conceput pentru a fi fixat la bază de o placă solidă a unui banc de lucru. În cazul în care baza nu este fixată bine, întreaga mașină se poate deplasa în timpul operațiilor de tăiere, lucru care crește posibilitatea producerii de vătămări corporale grave.

Fierăstrăul cu mitră compus, glisant este conceput pentru a face tăieturi conice și oblice. Capacitățile pentru diferite tăieturi sunt furnizate în specificațiile produsului din acest manual.

Componenta glisantă de tăiere oblică a fierăstrăului trebuie să fie utilizată în condiții uscate, cu iluminare ambientală excelentă și o ventilație adecvată.

Fierăstrăul cu mitră compus, glisant este destinat utilizării de către orice client și ar trebui să fie utilizat numai așa cum s-a descris mai sus, el nu este destinat pentru nici un alt scop.

RISURI REZIDUALE

Chiar și atunci când fierăstrăul cu mitră compus, glisant este folosit după cum s-a specificat mai sus, tot este imposibil să se elimine complet anumiți factori de risc rezidual. Următoarele pericole pot apărea și operatorul ar trebui să acorde o atenție deosebită pentru a evita următoarele:

- Risc de contact cu părțile descoperite ale pânzei rotative a fierăstrăului.
- Reculul pieselor de procesat sau a unor părți ale lor din cauza ajustării sau a manipulării necorespunzătoare.
- Catapultarea unor vârfuri deteriorate de carbură din pânza de fierăstrău. Purtați ochelari de protecție, în orice moment.
- Afecțiuni ale sistemului respirator. Purtați măști de protecție respiratorie care conțin filtre adecvate materialelor care sunt

prelucrate. Asigurați o ventilație adecvată la locul de muncă. Nu mâncați, nu beți și nu fumați în zona de lucru.

- Există riscul de deteriorare a auzului în cazul în care protecția auzului nu este eficientă.

AVERTISMENT Praful rezultat din anumite vopsele, straturi de acoperire și materiale poate provoca iritații sau reacții alergice. Praful din lemn, cum ar fi stejar, fag, MDF, și altele este cancerigen. Materiale care conțin azbest trebuie să fie prelucrate numai de către operatori specializați și calificați.

AVERTISMENT Leziuni pot fi cauzate sau agravate de utilizarea prelungită a unui utilaj. Atunci când se utilizează orice utilaj pentru perioade prelungite, asigurați-vă că luați pauze la intervale regulate de timp.

ACUMULATORI

Acumulatorii care nu au fost utilizați o perioadă de timp trebuie reîncărcați înainte de utilizare

Temperatura mai mare de 50°C (122°F) reduce performanța acumulatorului. Evitați expunerea prelungită la căldură sau radiație solară (risc de supraîncălzire)

Contactele încărcătoarelor și acumulatorilor trebuie păstrate curate.

În scopul optimizării duratei de funcționare, bateriile trebuie reîncărcate complet după utilizare.

Pentru o durată de viață cât mai lungă, acumulatorii ar trebui scoși din încărcător după încărcare.

La depozitarea acumulatorilor mai mult de 30 zile: Acumulatorii se depozitează la ca. 27°C și la loc uscat. Acumulatorii se depozitează la nivelul de încărcare de cca. 30%-50%. Acumulatorii se încarcă din nou la fiecare 6 luni.

Acidul se poate scurge din acumulatorii deteriorați la încălziri sau temperaturi extreme. În caz de contact cu acumulator, spălați imediat cu apă și săpun. În caz de contact cu ochii, clătiți cu atenție timp de cel puțin 10 minute și apelați imediat la îngrijire medicală.

Nu depozitați acumulatorul împreună cu obiecte metalice (risc de scurtcircuit)

Nu aruncați acumulatorii uzați la containerul de rezidui menajere și nu îi ardeți. AEG Distributors se oferă să recupereze acumulatorii vechi pentru protecția mediului înconjurător.

BATERIE ȘI ÎNCĂRCĂTOR

Set de baterii compatibile (nu este inclus): System GBS

Acumulator compatibil(nu este inclus): System GBS

Folosiți numai încărcătoare System GBS pentru încărcarea acumulatorilor System GBS. Nu folosiți acumulatori din alte sisteme.

TRANSPORTUL ACUMULATORILOR CU IONI DE LITIU

Acumulatorii cu ioni de litiu cad sub incidența prescripțiilor legale pentru transportul de mărfuri periculoase.

Transportul acestor acumulatori trebuie să se efectueze cu respectarea prescripțiilor și reglementărilor pe plan local, național și internațional.

Consumatorilor le este permis transportul rutier nerestricționat al acestui tip de acumulatori.

Transportul comercial al acumulatorilor cu ioni de litiu prin intermediul firmelor de expediție și transport este supus reglementărilor transportului de mărfuri periculoase. Pregătirile pentru expediție și transportul au voie să fie efectuate numai



Ro

de către personal instruit corespunzător. Întregul proces trebuie asistat în mod competent.

Următoarele puncte trebuie avute în vedere la transportul acumulatorilor:

Pentru a se evita scurtcircuitul, asigurați-vă de faptul că sunt protejate și izolate contactele. Aveți grijă ca pachetul de acumulatori să nu poată aluneca în altă poziție în interiorul ambalajului său. Este interzis transportarea unor acumulatori deteriorați sau care pierd lichid. Pentru indicații suplimentare adresați-vă firmei de expediție și transport cu care colaborați.

PROTECȚIE SUPRAÎNCĂRCARE ACUMULATOR

În cazul unei suprasolicitări a acumulatorului datorită unui consum excesiv de curent electric, de ex. datorită unor momente de turație extrem de înalte, a unei opriri subite sau a unui scurt circuit, scula electrică trepidează timp de 5 secunde, indicația stării de încărcare pâlăie și scula electrică se deconectează de la sine. Pentru reconectare dați drumul întrerupătorului și conectați din nou.

În cazul unor sarcini extreme, acumulatorul se încinge prea tare. În acest caz toate lămpile indicației stării de încărcare pâlăie până când acumulatorul s-a răcit. După ce indicația stării de încărcare s-a stins se poate lucra mai departe.

Pentru a-l reîncărca și activa, puneți acumulatorul în în aparatul de încărcare.

INTREȚINERE

Nu modificați acest fierăstrău sub nicio formă și nici nu folosiți accesorii neaprobate de producător. Siguranța dvs. și a altora ar putea fi compromisă în acest mod.

Nu folosiți fierăstrăul dacă întrerupătoarele, dispozitivele de securitate sau alte funcții de acest tip ale fierăstrăului nu funcționează în mod adecvat. Adresați-vă unui centru de service autorizat pentru reparații profesionale sau de reglare.

Nu efectuați reglaje în timp ce pâza este în funcțiune.

Detashați acumulatorul înainte de a efectua reglaje, lucrări de lubrifiere sau atunci când faceți orice acțiune de întreținere a mașinii.

Înainte și după fiecare utilizare, verificați fierăstrăul pentru deteriorări sau piese rupte și păstrați-l în stare bună de funcționare prin înlocuirea imediată a pieselor cu piese de schimb aprobate de către producător.

Pâza este foarte caldă după utilizare, de aceea purtați mănuși sau lăsați să se răcească înainte de efectuarea procedurilor de întreținere sau de curățare.

Curățați praful acumulat folosind o perie sau un aspirator. Nu folosiți aer comprimat.

Pentru a asigura siguranța și fiabilitatea, toate reparațiile, inclusiv schimbarea periilor, ar trebui să fie efectuate de către un centru de service autorizat.

Asigurați-vă că deconectați unealta de la sursa de alimentare înainte de atașarea sau înlăturarea lamei ferăstrăului.

Curățați aparatul și dispozitivul de protecție cu o lavetă uscată.

Fantele de aerisire ale mașinii trebuie să fie menținute libere tot timpul

PIESE DE SCHIMB

Utilizați numai accesorii și piese de schimb AEG. Dacă unele din componente care nu au fost descrise trebuie înlocuite, vă rugăm contactați unul din agenții de service AEG (vezi lista noastră pentru service / garanție)

Dacă este necesară, se poate comanda o imagine descompusă a sculei. Vă rugăm menționați numărul art. Precum și tipul mașinii tipărit pe etichetă și comandați desenul la agenții de service locali sau direct la Techtronic Industries GmbH, Max-Eyth-Straße 10, 71364 Winnenden, Germany.

DECLARAȚIE DE CONFORMITATE

Declarăm pe propria răspundere că produsul descris în capitolul „Date tehnice” îndeplinește toate cerințele relevante ale directivelor

2011/65/UE

2006/42/CE

2014/30/UE

și au fost utilizate următoarele standarde armonizate

EN 61029-1:2009 + A1:2010

EN 61029-2-9:2012 + A1:2013

EN 55014-1:2006+A1:2009+A2:2011

EN 55014-2: 1997+A1:2001+A2:2008

EN 50581:2012



Winnenden, 2016-12-02

Alexander Krug / Managing Director
Împuternicit să elaboreze documentația tehnică.

Techtronic Industries GmbH
Max-Eyth-Straße 10, 71364 Winnenden, Germany



SIMBOLURI



PERICOL! AVERTIZARE! ATENȚIE!



Îndepărtați acumulatorul înainte de începerea lucrului pe mașina



Va rugăm citiți cu atenție instrucțiunile înainte de pornirea mașinii



Purtați întotdeauna ochelari de protecție când utilizați mașina.



Purtați căști de protecție



Purtați mănuși de protecție!



Desfaceți șurubul / Direcția de rotație



Nu introduceți niciodată mâinile în perimetrul pânzei de circular.



Acest aparat este recomandat doar pentru utilizare în interior. Nu expuneți niciodată aparatul la ploaie.



Nu priviți în fasciculul de laser.



This product corresponds to the laser class 1 in accordance with EN 60825-1:2014.



Diametru lamă x diametru orificiu



Direcția de rotație



dinți lamă



Lațime de tăiere



Aruncarea aparatelor electrice la gunoiul menajer este interzisă. Echipamentele electrice și electronice trebuie colectate separat și predate la un centru de reciclare și eliminare a deșeurilor, pentru a fi eliminate ecologic. Interesați-vă la autoritățile locale sau la comerciantul dvs. de specialitate unde se află centre de reciclare și puncte de colectare.



Marcaj CE



Marcaj de conformitate UkrSEPRO.



Marcaj de conformitate EurAsian.



ТЕХНИЧКИ ПОДАТОЦИ	BPS18-254BL
Пила за отсекување, влечење и аголна пила *	
Производен број	4601 74 01... ... 000001-999999
Волтажа на батеријата	18 V
Брзина без оптоварување	3900 min ⁻¹
Сечило на пила дијаметар x дијаметар на отвор	254 x 30 mm
Дебелина на телото на ножот	1,6 mm
Дебелина на запците од ножот за сечење	2,2 mm
Максимален учинок на сечење	
агол на навалување 0° / агол на навалување вертикално 0°	90 mm x 305 mm
агол на навалување 0° / агол на навалување вертикално 45° ↘	39 mm x 305 mm
агол на навалување 0° / агол на навалување вертикално 45° ↙	43 mm x 305 mm
агол на навалување ↘ 45° / агол на навалување вертикално 0°	90 mm x 215 mm
агол на навалување ↙ 45° / агол на навалување вертикално 0°	50 mm x 215 mm
агол на навалување 45° / агол на навалување вертикално 45° ↘	39 mm x 215 mm
агол на навалување 45° / агол на навалување вертикално 45° ↙	43 mm x 215 mm
Мин. Димензии на работно парче	215 x 35 x 2,5 mm
Тежина според ЕПТА-процедурата 01/2003 (Li-Ion 5.0 Ah)	16,3 kg
Информации за бучавата	
Измерените вредности се одредени согласно стандардот EN 61029. А-оценетото ниво на бучава на апаратот типично изнесува:	
Ниво на звучен притисок. (Несигурност K=3dB(A))	89,0 dB (A)
Ниво на јачина на звук. (Несигурност K=3dB(A))	98,5 dB (A)
Носте штитник за уши.	
Информации за вибрации	
Вкупни вибрациски вредности (векторски збир на трите насоки) пресметани согласно EN 61029.	
Дрво: Вибрациска емисиона вредност a _h	1,1 m/s ²
Несигурност K	1,5 m/s ²

* PS ≙ Пила за отсекување, влечење и аголна пила

ПРЕДУПРЕДУВАЊЕ!

Нивото на осцилација наведено во овие инструкции е измерено во согласност со мерните постапки нормирани во EN 61029 и може да биде употребено за меѓусебна споредба на електро-алати. Ова ниво може да се употреби и за привремена проценка на оптоварувањето на осцилацијата.

Наведеното ниво на осцилација ги репрезентира главните намени на електро-алатот. Но, доколку електро-алатот се употребува за други намени, со отстапувачки додатоци или со несоодветно одржување, нивото на осцилација може да отстапи. Тоа може значително да го зголеми оптоварувањето на осцилацијата за време на целиот работен период.

За прецизна проценка на оптоварувањето на осцилацијата предвид треба да бидат земени и времињата, во коишто апаратот е исклучен или работи, но фактички не се употребува.

Тоа може значително да го намали оптоварувањето на осцилацијата за време на целиот работен период.

Утврдете дополнителни безбедносни мерки за заштита на операторот од влијанието на осцилациите, како на пример: одржување на електро-алатот и на додатоци кон електро-алатот, одржување топли раце, организација на работните процеси.

⚠ ПРЕДУПРЕДУВАЊЕ Прочитајте ги сите безбедносни упатства и инструкции. Заборавање на почитувањето на безбедносните упатства и инструкции можат да предизвикаат електричен удар, пожар и/или тешки повреди.

Сочувајте ги сите безбедносни упатства и инструкции за во иднина.

ОПШТИ БЕЗБЕДНОСНИ УПАТСТВА



ПРЕДУПРЕДУВАЊЕ

При употреба на електрични орудја заради заштита од електрични удари, опасност од повреди и пожар треба да се обрати внимание на следните основни мерки за безбедност. Прочитајте ги сите овие напомени пред да почнете со користење на ова електрично орудие и добро сочувајте ги напомените за безбедност.

Работниот простор одржувајте го чист. Неуредниот простор и маса може да предизвикаат повреди.

Внимавајте на околината на работниот простор. Алатот не изложувајте го на дожд. Алатот не користете го на влажни или мокри места. Работниот простор нека биде добро осветлен. Алатот не користете го во близина на запаливи течности или гасови.

Внимание! Ризик од струен удар Избегнувајте контакт на телото со заземјени делови како што се цевки, грејни тела, печки или фрижидери.

Другите лица држете ги понастрана. Не дозволувајте други лица, особено децата, да се мешаат во работата, да го чепкаат алатот или продолжениот кабел, и држете ги понастрана од работниот простор.

Тргајте го настрана алатот кога не го користите. Кога не го користите, алатот треба да се чува на суво, заклучено место, понастрана од дофатот на деца.

Користете правилен алат. Немојте да користите мали алатки за вршење работа која е за тешки алатки.

Носете соодветна облека. Немојте да носите широка облека или накиќ којшто може да се фати во подвижните делови.

Користете заштитна опрема. Носете заштитни очила. Носете маска за прав доколку при работните операции се создава прашина.

Никогаш немојте да го влечете кабелот за да го исклучите од штекерот. Кабелот чувајте го подалеку од топлина, масло и остри рабови.

Прицврстете го обработуваното парче. Кога е можно, користете стеги или менгема за да го држи парчето. Така е побезбедно отколку да ги користите Вашите раце.

Не се наслонувајте премногу према напред и во секое време одржувајте ја рамнотежата.

Грижливо одржувајте го алатот. Алатот за режење одржувајте го остар и чист за подобар и побезбеден учинок. Следете ги упатствата за подмачкување и менување на приборот. Повремено проверувајте ги каблите на алатката и, ако се оштетени, дајте ги на поправка во овластен сервис. Прегледувајте ги продолжените кабли и заменете ги ако се оштетени.

Исклучувајте го алатот. Кога не се користи, пред сервисирање и кога менувате прибор, како на пример ножеви, бургии и секачи, исклучете го алатот од електричната струја.

Тргнете ги клучевите за штелување и останатите клучеви.

Развивајте си навика да проверувате дали клучевите се отстранети од алатот пред да го вклучите.

Уверете се дали копчето е ставено во положба „Исклучено“ кога ги ставате батериите.

За надворешна употреба, користете продолжен кабел.

Кога алатот го користите надвор, користете само продолжен кабел кој е наменет и означен дека е за надворешна употреба.

Бидете претпазливи. Внимавајте што правите, користете здрав разум и не работете со алатката кога сте уморни.

Пред употреба, комплетно проверете го алатот да не има некакво оштетување или маана. Проверете дали подвижните делови се ускладени, дали се споени, да не има скршени делови, дали е монтирано нешто или било какви други услови кои би можеле да влијаат врз функционирањето на алатот.

Немојте да ја користите машината ако штитниците не се на место и не работат правилно.

Во случај на оштетувања истите веднаш да бидат дадени на авторизирана стручна работилница на поправка. Немојте да ја користите алатката ако копчето нејке да се вклучи и исклучи.

ПРЕДУПРЕДУВАЊЕ Употребата на било каков друг прибор или додатоци освен оној што е препорачан во овој прирачник, може да претставува ризик од повреда.

Вашиот алат нека го поправа само квалификуван персонал. Овој електричен алат е во согласност со релевантните прописи за безбедност. Поправките треба да ги прави само квалификуван персонал користејќи оригинални резервни делови, во спротивно може да дојде до значителна опасност за корисникот.

БЕЗБЕДНОСНИ УПАТСТВА ЗА ПИЛА ЗА СЕЧЕЊЕ ПОД АГОЛ

Обработуваното парче секогаш притегнувајте го, за да биде безбедно и сигурно.

Обезбедете, машината да стои постојано цврсто (на пример прицврстување на работната маса)..

Носете штитник за уши. Влијанието на бука може да предизвика губење на сетилото за слух.

При работа со машината постојано носете заштитни очила. Се препорачува да носите ракавици кога ракувате со ножеви и рапав материјал, како и тврди нелизгачки чевли кои ги штитат нозете од обработуваните пачиња кои може да паднат од зоната каде што се реже.

Секогаш исклучувајте ја приклучницата или батериите пред да вршите било какви подесувања, сервисирање или чистење на машината.

Погрижете се машината да биде исклучена пред да ги монтирате или демантирате батериите.

Немојте да стоите наспроти ножот од пилата пред машината. Секогаш стојте настрана од ножот на пилата.

Дланките, прстите и рацете чувајте ги понастрана од ротирачкиот нож на пилата.

Никогаш немојте да ги ставате рацете близу ножот, освен ако ножот не е целосно запрен.

Пред употреба, комплетно проверете го алатот да не има некакво оштетување или маана. Оштетените делови да се поправат исклучиво од страна на стручно лице.

Секогаш користете заштитен штит на машината. Немојте да ја користите машината ако штитниците не се на место и не работат правилно.

Не ја затегнувајте вртливата заштита.

Ако парчето за обработка или сечилото биде блокирано, исклучете ја пилата за сечење под агол. Почекајте сите подвижни делови да задрат и исклучете го приклучокот од струја и/или извадете ги батериите. Потоа извадете го заглавениот материјал.

Никогаш не менувајте ја пилата или нејзината функција. Вашата безбедност може да биде компромитирана.

Немојте да користите ножевите кои се напукнати, оштетени или деформирани.

Не користете сечила за пила кои се направени од високобрзински челик

Користете само ножеви кои се остри. Тапите ножеви заменете ги со нови.

Користете држач за нож или носете ракавици кога ракувате со ножот од пилата.

Секогаш користете сечила со соодветна големина и форма или крунски пили.

Сечила кои не одговараат на монтираниот хардвер на пилата ќе се движат неправилно предизвикувајќи губење на контролата.

Користете само ножеви за сечење дрво, специфицирани во овој прирачник, кои се во согласност со EN 847-1.

Немојте да користите било какви други прирабници, подлошки или бургии за прицврстување на ножот, освен оние кои се обезбедени или наведени во упатството за употреба.

Ок клучно значење е да се остане до максимално специфицираната брзина на сечилото.



Неопходно е да изберете го виде ножот кој е погоден за материјалот се сече.

Аголната пила никогаш немојте да ја користите за сечење на поинакви материјали од оние кои се специфицирани во поглавјето за употреба во овој прирачник.

Заменете го вметокот во масата доколку е изабен или оштетен.

Пред работа, направете едно пробно сечење без да е вклучен моторот, за да може да се провери положбата на ножот, функционирањето на штитниците во однос на другите делови од машината и работното парче.

Не отстранувајте остатоци од пилење или други делови од обработуваните предмети во подрачјето на пилење кога машината работи и кога главата за пилење не е во положба на мирување.

Кога ја транспортирате машината, користете само транспортни уреди и никогаш не користете ги штитниците за држење или транспортирање.

Рачното заклучување мора секогаш да биде во функција при транспорт на пилата за сечење.

Одржувајте го подготвено од остатоци на материјал, на пример пруготини или остатоци од пилење.

Долгите парчиња мораат да бидат соодветно потпираани.

Предмети со кружен или нерамномерен пресек (на пример огревно дрво) не смеат да се пилат, бидејќи при пилење не можат да се држат сигурно. При аголно пилење рамни предмети мора да се употребува соодветен помошен аншлаг со цел за безбедно водење.

Прашината која се крева при работа со овој алат може да биде штетна по здравјето и затоа не го изложувајте го телото. Користете систем за апсорпција на прашина и носете соодветна заштитна маска. Одстранете ја целосно наталожената прашина пр: со правосмукалка.

Приклучете ја пилата за правосмукалка, кога обработувате дрво.

Немојте да ги заменуваат LED светилките или ласерот со поинаков тип. Било кои поправки мора да ги прави само производителот или овластен сервисен агент.

Не користете сечила кои не одговараат на пропишаните параметри дадени во овој прирачник за употреба.

Алатите треба да се транспортираат и чуваат во соодветен контейнер.

При спојувањето на цевките под прав агол, под наклон или комбинирани агли под прав агол, подесете ја лизгачката ограда, за да обезбедите правилно минување на ножот.

Со прилагодена брзина на движењето напред, избегнете го прегревањето на забчаниците, а при сечењето на пластични материји избегнете го топењето на материјалот.

ПРЕДУПРЕДУВАЊЕ Не ја заменувајте LED сијалничката за друга.

НОЖ ЗА СЕЧЕЊЕ ДРВО УПАТСТВО ЗА УПОТРЕБА

Ве молиме внимателно прочитајте го прирачникот и упатствата пред да го користите ножот од пилата и машината.

Машината мора да биде во добра состојба, вретеното да е без деформации и без вибрации.

Немојте да ја користите пилата без да се ставени штитниците на своето место, штитниците чувајте ги во добра работна состојба и одржувајте ги правилно.

Погрижете се операторот да е адекватно упатен во сигурносните мерки, штелувањето и функционирањето на машината.

Секогаш носете заштитни очила и штитници за ушите кога ја користите машината. Се препорачува да носите ракавици, тврди нелизгачки чевли и престилка.

Ред да користите било каков прибор, консултирајте се со упатствата од прирачникот. Направилната употреба на приборот може да предизвика оштетување и да ја зголеми веројатноста од повреда.

Користете само ножеви кои се специфицирани во овој прирачник и во согласност со EN 847-1.

Внимавајте на максималната брзина која е означена на ножот од пилата. Водете сметка брзината што е означена на ножот да е најмалку еднаква на брзината што е означена на пилата.

Секогаш користете сечила со соодветна големина и форма или крунски пили.

Сечила кои не одговараат на монтираниот хардвер на пилата ќе се движат неправилно предизвикувајќи губење на контролата.

Немојте да користите ножеви со пречник што е поголем или помал од оној што е препорачан. Немојте да користите било какви дистанцери за да го наместите на ножот на вретеното.

Пред секоја употреба, поверете ги запците на ножот од пилата да не се оштетени или да не имаат ненормален изглед. Заштите кои се оштетени или лабави, може да станат летечки објекти при употребата и да ја зголемат веројатноста од повреда.

Не користете скршени или избобличени сечила. Не употребувајте оштетени или деформирани дискови.

Фрлете го ножот од пилата доколку е оштетен, деформиран или напукнат, поправање не е дозволено.

Не користете сечила за пила кои се направени од високобрзински челик

Погрижете се ножот од пилата да биде монтиран правилно, пред употреба безбедно прицврстете го прстенот на навртката (затезен момент отприлика 12 Nm).

Завртката за прицвртување и навртките треба да бидат затегнати со помош на соодветен затегач, итн.

Не е дозволен продолжеток на затегачот или затегање со удирање со чекан.

Погрижете се ножот и прирабницата да бидат чисти, а вдлабнатите страни на навртката за подесување да бидат накај ножот.

Погрижете се ножот да ротира во правилната насока.

Пред работа, направете едно пробно сечење без да е вклучен моторот, за да може да се провери положбата на ножот, функционирањето на штитниците во однос на другите делови од машината и работното парче.

Никогаш не оставајте ја машината ненадгледувана.

Немојте да ставате средства за подмакување на ножот додека тој се врти.

Никогаш немојте да вршите било какво чистење или сервисирање додека машината уште работи, и ако главата не е во положба на мирување.

Никогаш немојте да се обидуваат да ја сопрете машината додека се движи брзо, така што ножот ќе го притискате со алатот или со други средства, на овој начин може ненамерно да дојде до сериозни неагоди.



Mak

Исклучете ја пилата од струја или извадете ја батеријата пред да ги менувате ножевите или да вршите сервисирање.

Обрнете внимание на пакувањето и распакувањето на ножот, лесно можете да се повредите од остриите зацпи на ножот.

Користете држат за ножот или носете ракавици кога ракувате со ножот на пилата.

Ножот чувајте го во оригиналната амбалажа или во друго соодветно пакување, чувајте го на суво и подалеку од хемикалии кои можат да му наштетат на ножот.

УПАТСТВО ЗА УПОТРЕБА ЛАСЕРСКИ

Ласерското зрачење кое се користи во оваа пила е од Класа 1 со максимум <1 mW и 650 nm бранова должина. Немојте да гледате директно во оптичките инструменти. Непочитувањето на овие правила може да доведе до сериозни повреди.

Немојте да зјапате во зракот во текот на работењето.

Немојте да им го проектирате ласерскиот зрак директно во очите на другите. Може да дојде до сериозна повреда на очите.

Ласерот немојте да го ставате во положба која може да наведе некого несакани или несвесно да гледа во ласерскиот зрак.

Немојте да користите оптички алатки за да гледате во ласерскиот зрак.

Немојте да работите со ласерскиот зрак во близина на деца или, пак, да им дозволувате на децата да го чепкаат ласерот.

Немојте да се обидувате самите да го поправате ласерскиот уред.

Немојте да се обидувате самите да менувате било какви делови од ласерот.

Било кои поправки мора да ги прави само производителот или овластен сервисен агент.

ПРЕДУПРЕДУВАЊЕ Не ги променувајте инсталираната ласер со различен тип.

Не го насочувајте ласерот кон рефлектирачки површини.

Избегнувајте изложување на ласерски зрак. Ласерот може да емитира силно зрачење.

СПЕЦИФИЦИРАНИ УСЛОВИ НА УПОТРЕБА

Кружната лизгачка пила е наменета за сечење на тврдо и пресувано дрво со или без лепен фурнир, пластика и материјали слични на дрво.

Кружната лизгачка пила е наменета да ја користат само возрастни оператори кои го прочитале прирачникот за користење и ги разбрале ризиците и опасностите.

Кружната лизгачка пила е наменета со основата да биде прицврстена за цврста работна маса. Доколку основата не е безбедно прицврстена, целата машина може да се движи за време операциите за сечење, кое ја зголемува веројатноста од сериозна повреда.

Кружната лизгачка пила е наменета да прави коси и аголни сечења. Капацитетите за различни сечења се дадени во спецификациите на производот во овој прирачник.

Кружната лизгачка пила треба да се користи во суви услови, со одлично осветление и адекватна вентилација.

Кружната лизгачка пила е наменета за потрошувачи и треба да се користи само во склад со гореопишаното, и не е наменета за никаква друга цел.

ОСТАТОЧНИ ОПАСНОСТИ

Дури и кога кружната лизгачка пила се користи како што е пропишано, с' уште не е можно целосно да се елиминираат извесни преостанати фактори на ризик. Може да се појават следните ризици и операторот треба да обрне посебно внимание да го избегне следното:

- Ризикот од контакт со непокриени делови на ротирачкиот нож на пилата.
- Повратен удар на обработуваните парчиња или делови од обработуваните парчиња поради неисправно штелување или ракување.
- Исфрлање на зацпи од тврд метал од ножот на пилата. Во секое време носете заштита за очите.
- Оштетување на респираторниот систем. Носете маска за заштита на респираторниот систем, која содржи филтери соодветни на материјалите кои се обработуваат. Погрижете се да има адекватна вентилација на работното место. Немојте да јадете, да пиете или да работите во работниот простор.
- Оштетување на слухот доколку не се носи заштита за ушите.

ПРЕДУПРЕДУВАЊЕ Правот од некои бои, премази и материјали може да предизвика иритација или алергиски реакции. Правот од дрво како на пр. од даб, буква, MDF, и други се карциногени. Со материјалите кои содржат азбест треба да работат само квалификувани специјалисти оператори.

ПРЕДУПРЕДУВАЊЕ Од долготрајната употреба на алатката може да дојде или да се влошат повредите. Кога користите некола алатка подолго време, погрижете се да користите редовни паузи.

БАТЕРИИ

Батриите кои не биле користени подолго време треба да се наполнат пред употреба.

Температура повисока од 50°C (122°F) го намалуваат траењето на батериите. Избегнувајте подолго изложување на батериите на високи температури или сонце (ризик од прегревање).

Клемите на полначот и батериите мора да бидат чисти.

За оптимален работен век батериите мора да се наполнат целосно по употреба.

За можно подолг век на траење, апаратите после нивното полнење треба да бидат извадени од апаратот за полнење на батериите.

Во случај на складирање на батеријата подолго од 30 дена: Акумулаторот да се чува на температура од приближно 27°C и на суво место. Акумулаторот да се складира на приближно 30%-50% од состојбата на наполнетост. Акумулаторот повторно да се наполни на секои 6 месеци.

Киселината од оштетените батериите може да истече при екстреман напон или температури. Доколку дојдете во контакт со исатата, измијте се веднаш со сапун и вода. Во случај на контакт со очите плакнете ги убаво најмалку 10 минути и задолжително одете на лекар.

Не ги чувајте батериите заедно со метални предмети (ризик од краток спој).

Не ги оставајте искористените батери во домашниот отпад и не горете ги. Дистрибутерите на АЕГ ги собираат старите батери, со што ја штитат нашата околина.



Mak

БАТЕРИЈА И ПОЛНАЧ

Компатибилен сет батерии (не е вклучен): System GBS

Компатибилен полнач (не е вклучен): System GBS

Користете исклучиво Систем GBS за полнење на батерии од GBS систем. Не користете батерии од друг систем.

ТРАНСПОРТ НА ЛИТИУМ-ЈОНСКИ БАТЕРИИ

Литиум-јонските батерии подлежат на законските одредби за транспорт на опасни материи.

Транспортот на овие батерии мора да се врши согласно локалните, националните и меѓународните прописи и одредби.

Потрошувачите на овие батерии може да вршат непречен патен транспорт на истите.

Комерцијалниот транспорт на литиум-јонски батерии од страна на шпедитерски претпријатија подлежат на одредбите за транспорт на опасни материи. Подготовките за шпедиција и транспорт треба да ги вршат исклучиво соодветно обучени лица. Целокупниот процес треба да биде стручно надгледуван.

При транспортот на батерии треба да се внимава на следното:

Осигурајте се дека контактите се заштитени и изолирани, а сето тоа со цел да се избегнат кратки споеви. Внимавајте да не дојде до измествување на батериите во нивната амбалажа. Забранет е транспорт на оштетени или протечени литиум-јонски батерии. За понатамошни инструкции обратете се до Вашето шпедитерско претпријатие.

ЗАШТИТА ОД ПРЕОПТЕРЕТУВАЊЕ НА БАТЕРИЈАТА

При преоптеретување на батеријата како резултат на мошне висока потрошувачка на струја, на пример екстремно високи вртежни моменти, ненадејно стопирање или краток спој, електро-алатот вибрира 5 секунди, приказот за полнење трепка и електро-алатот самостојно се исклучува.

За повторно вклучување ослободете го притискачот на прекинувачот, а потоа повторно вклучете.

Во случај на екстремни оптоварувања батеријата се загрева премногу. Во таков случај трепкаат сите ламбички од приказот за полнење сè додека батеријата не се излади. По гаснење на приказот за полнење може да се продолжи со работа.

Тогаш ставете ја батеријата во уредот за полнење за повторно да ја напоните и активирате.

ОДРЖУВАЊЕ

Немојте да ја менувате оваа пила на никаков начин или да користите прибор кој не е одобрен од производителот. Вашата безбедност и безбедноста на другите може да биде доведена во прашање.

Немојте да ја користите пилата доколку некој прекинувач, штитник или други функции на пилата не работат како што е наменето. Вратете ја во овластениот сервисен центар за професионална поправка или штелување.

Немојте да правите никакви преиначувања додека ножот на пилата е во движење.

Тргнете го сетот батерии пред да правите преиначувања, подмачкување или кога ја сервисирате машината.

Пред и после секоја употреба проверете ја пилата да не има оштетување или скршени делови и одржувајте ја во топ работна состојба така што веднаш ќе ги смените деловите од делови кои се одобрени од производителот.

После употреба, ножот е многу жежок, носете ракавици или оставете го да се излади пред да правите сервисирање или чистење.

Исчистете ја насобраната прав со помош на четка или правосмукалка. Немојте да користите компримиран воздух.

За да обезбедите сигурност и доверливост, сите поправки, вклучително менувањето на четките, треба да ги прави овластен сервисен центар.

Уверете се дека алатката е исклучена од напојување пред да го прикачите или отстраните сечилото.

Апаратот и заштитната направа очистете ја со сува крпа.

Вентилациските отвори на машината мора да бидат комплетно отворени постојано.

РЕЗЕРВНИ ДЕЛОВИ

Користете само АЕГ додаточи и резервни делови. Доколку некои од компонентите кои не се опишани треба да бидат заменети, Ве молиме контактирајте ги сервисните агенти на АЕГ (консултирајте ја листата на адреси).

Доколку е потребно можно е да биде набавен детален приказ на алатот. Ве молиме наведете го бројот на артиклот како и типот на машина кој е отпечатан на етикетата и порачајте ја скицата кај локалниот застапник или директно кај: Techtronic Industries GmbH, Max-Eyth-Straße 10, 71364 Winnenden, Germany.

ЕУ-ДЕКЛАРАЦИЈА ЗА СООБРАЗНОСТ

Под целосна лична одговорност изјавуваме дека производот опишан во „Технички податоци“ е во сообразност со сите релевантни прописи од директивите 2011/65/EU, 2006/42/EU, 2014/30/EU и дека се применети следните хармонизирани стандарди

EN 61029-1:2009 + A11:2010
EN 61029-2-9:2012 + A11:2013
EN 55014-1:2006+A1:2009+A2:2011
EN 55014-2: 1997+A1:2001+A2:2008
EN 50581:2012



Winnenden, 2016-12-02

Alexander Krug / Managing Director
Ополномоштен за составување на техничката документација.

Techtronic Industries GmbH
Max-Eyth-Straße 10, 71364 Winnenden, Germany

СИМБОЛИ



ВНИМАНИЕ! ПРЕДУПРЕДУВАЊЕ! ОПАСНОСТ!



Извадете го батерискиот склоп пред отпочнување на каков и да е зафат врз машината.



Ве молиме пред да ја стартувате машината обрнете внимание на упатствата за употреба.



Секогаш при користење на машината носете ракавици.



Носте штитник за уши.



Носете ракавици!



Отворете го шрафот / Насока на вртење



Никогаш не ги поставувајте рацете во подрачјето на дискот за сечење.



Овој алат е исклучиво за внатрешна употреба.
Никогаш не го изложувајте алатот на дожд.



Не гледајте во ласерскиот зрак.



This product corresponds to the laser class 1 in accordance with EN 60825-1:2014.



Сечило на пила дијаметар x дијаметар на отвор



Насока на вртење



сечилото заби



Ширина на сечење



Електричните апарати не смеат да се фрлат заедно со домашниот отпад. Електричните и електронските апарати треба да се собираат одделно и да се однесат во соодветниот погон заради нивно фрлање во склад со начелата за заштита на околината. Информирајте се кај Вашите местни служби или кај специјализираниот трговски претставник, каде има такви погони за рециклажа и собирни станици.



CE-знак



UkrSEPRO знак на конформитет.

TR 066



EurAsian (Евроазиски) знак на конформитет.



ТЕХНІЧНІ ХАРАКТЕРИСТИКИ	BPS18-254BL
Торцювальна та вусорізна пилка*	
Номер виробу	4601 74 01... ... 000001-999999
Напруга змінної акумуляторної батареї	18 V
Кількість обертів холостого ходу	3900 min ⁻¹
Ø пилкового диску x Ø отвору	254 × 30 mm
Товщина тіла пильного полотна	1,6 mm
Товщина зубців пильного полотна	2,2 mm
Продуктивність різання макс. З'єднання під гострим кутом 0°/ Нахил 0° З'єднання під гострим кутом 0°/ Нахил 45° З'єднання під гострим кутом 0°/ Нахил 45° З'єднання під гострим кутом 45°/ Нахил 0° З'єднання під гострим кутом 45°/ Нахил 0° З'єднання під гострим кутом 45°/ Нахил 45° З'єднання під гострим кутом 45°/ Нахил 45°	90 mm × 305 mm 39 mm × 305 mm 43 mm × 305 mm 90 mm × 215 mm 50 mm × 215 mm 39 mm × 215 mm 43 mm × 215 mm
Мін. розміри заготовки	215 × 35 × 2,5 mm
Вага згідно з процедурою EPTA 01/2003 (Li-Ion 5.0 Ah)	16,3 kg
Інформація про шум Виміряні значення визначені згідно з EN 61029. Рівень шуму „А” приладу становить в типовому випадку: Рівень звукового тиску (похибка K = 3 дБ(A)) Рівень звукової потужності (похибка K = 3 дБ(A))	89,0 dB (A) 98,5 dB (A)
Використовувати засоби захисту органів слуху! Інформація щодо вібрації Сумарні значення вібрації (векторна сума трьох напрямків), встановлені згідно з EN 61029. Пилання деревини: Значення вібрації a _h похибка K =	1,1 m/s ² 1,5 m/s ²

* PS ± Торцювальна та вусорізна пилка

ПОПЕРЕДЖЕННЯ!

Рівень вібрації, вказаний в цій інструкції, вимірювався згідно з методом вимірювання, нормованим стандартом EN 61029, і може використовуватися для порівняння електроінструментів. Він призначений також для попередньої оцінки навантаження від вібрації.

Вказаний рівень вібрації відповідає основним сферам використання електроінструменту. Але якщо електроінструмент використовується для іншої мети, з іншими вставними інструментами або при недостатньому технічному обслуговуванні, рівень вібрації може бути іншим. Це може значно підвищити навантаження від вібрації за весь період роботи.

Для точної оцінки навантаження від вібрації необхідно також враховувати час, коли прилад вимкнений або увімкнений, але фактично не використовується. Це може значно зменшити навантаження від вібрації за весь період роботи.

Визначте додаткові заходи безпеки для захисту оператора від дії вібрації, наприклад: Технічне обслуговування електроінструменту та вставних інструментів, зігрівання рук, організація робочих процесів.

⚠ ПОПЕРЕДЖЕННЯ Прочитайте всі вказівки з техніки безпеки та інструкції. Упущення при дотриманні вказівок з техніки безпеки та інструкції можуть призвести до ураження електричним струмом, пожежі та/або тяжких травм.

Зберігайте всі вказівки з техніки безпеки та інструкції на майбутнє.

ЗАГАЛЬНІ ВКАЗІВКИ З ТЕХНІКИ БЕЗПЕКИ

⚠ ПОПЕРЕДЖЕННЯ

При використанні електроінструментів необхідно дотримуватися наступних основних заходів безпеки для захисту від ураження електричним струмом, травмування та небезпеки пожежі. Прочитайте всі вказівки, перш ніж користуватися цим електроінструментом, та зберігайте вказівки з техніки безпеки в надійному місці.

Підтримуйте чистоту на робочому місці. Захаращені ділянки та верстати можуть стати причиною поранення.

Враховуйте умови на робочому місці. Бережіть інструменти від дощу. Не використовуйте інструменти у вологому чи вогкому середовищі. Підтримуйте належне освітлення на робочому місці. Не використовуйте інструменти в присутності займих рідин і газів.

Увага! Небезпека ураження електричним струмом.

Уникати контакту тіла з заземленими деталями, такими як труби, радіатори опалення, плити та холодильники.

Тримайте інших людей на безпечній відстані. Не дозволяйте іншим людям, не задіяним у роботі, особливо дітям, торкатися інструмента чи подовжувального шнура та не підпускайте їх до робочого місця.

Зберігайте інструменти у вимкненому стані. Якщо інструменти не використовуються, зберігайте їх у зачищеному сухому приміщенні, недосяжному для дітей.

Використовуйте правильний інструмент. Не використовуйте малопотужні інструменти для виконання робіт, які передбачають використання інструментів високої потужності.

Одягайтеся належним чином. Не носіть прикраси, а також незастібнутий чи незаправлений одяг, оскільки вони можуть попасти в рухомі частини обладнання.

Використовуйте захисні пристрої. Носіть захисні окуляри. Під час виконання робіт із утворенням пилу носіть респіратор або маску для захисту обличчя.

У жодному разі не тягніть шнур, щоб виїняти штепсель із розетки. Не піддавайте шнур впливу тепла, захищайте його від масла та від контакту з гострими кромками.

Фіксуйте робочу заготовку. Якщо це можливо, для фіксації заготовки використовуйте затискачі чи лещата. Це більш безпечно, ніж фіксація вручну.

Не нахиляйтеся занадто сильно вперед або вбік і завжди зберігайте рівновагу.

Підтримуйте інструменти в належному стані. Для більш ефективної та безпечної роботи заточуйте й очищайте різальні інструменти. Дотримуйтеся інструкції щодо змащування та заміни приладдя. Регулярно оглядайте шнури обладнання й у випадку пошкодження звертайтеся для ремонту в уповноважену організацію з обслуговування. Регулярно оглядайте подовжувальні шнури та замінюйте їх у разі пошкодження.

Роз'єднуйте інструменти. Якщо вони не використовуються, перед обслуговуванням і під час заміни приладдя, наприклад лез, різальних пластин і різальних інструментів, від'єднуйте інструменти від живлення.

Не залишайте розсувні та нерозсувні гайкові ключі в обладнанні. Візьміть за правило перевіряти, чи виїняли ви розсувні та нерозсувні гайкові ключі з інструмента перед його увімкненням.

Під час установки акумуляторної батареї переконайтеся в тому, що вимикач знаходиться в положенні вимкнення.

Під час роботи поза приміщенням використовуйте подовжувальні кабелі. Якщо інструмент використовується поза приміщенням, вибирайте тільки такі подовжувальні шнури, що призначені для використання поза приміщеннями та мають відповідне маркування.

Будьте пильними. Слідкуйте за тим, що ви робите, керуйтеся здоровим глуздом і не використовуйте інструмент у втомленому стані.

Перед використанням завжди ретельно перевіряйте інструмент на наявність пошкоджень чи ознак зношення матеріалу. Перевіряйте вирівнювання рухомих частин, заїдання рухомих частин, пошкодження деталей, правильність кріплення й інші аспекти, що можуть мати вплив на роботу обладнання.

Не використовуйте станок, якщо захисні щитки не встановлено чи якщо вони не функціонують належним чином.

Пошкодження негайно усунути в авторизованій спеціальній майстерні. Не використовуйте інструмент, якщо ви не можете увімкнути та вимкнути його за допомогою вимикача.

ПОПЕРЕДЖЕННЯ Використання допоміжного приладдя чи додаткового обладнання, яке не було безпосередньо рекомендовано для використання в цьому посібнику, може становити ризик поранення.

Для ремонту інструмента звертайтеся до кваліфікованого спеціаліста. Цей електроінструмент відповідає всім застосовуваним нормам безпеки. Ремонт повинен виконуватися тільки кваліфікованими спеціалістами

з використанням оригінальних запчастин, в іншому разі обладнання може становити небезпеку для користувача.

▲ ІНСТРУКЦІЇ З ТЕХНІКИ БЕЗПЕКИ ДЛЯ КУТОРІЗНИХ ПИЛ

Завжди фіксуйте заготовку надійним і безпечним чином.

Завжди забезпечувати стійке положення машини (наприклад, закріпити на верстаті)..

Користуйтеся засобами захисту органів слуху. Вплив шуму може спричинити втрату слуху.

Під час роботи з машиною завжди носити захисні окуляри. Під час роботи з лезами та грубими матеріалами рекомендується носити рукавиці, а також міцні нековзані черевичи, які захищають ноги у разі падіння робочої заготовки з області розрізання.

Перед виконанням будь-яких операцій з регулювання, обслуговування чи очищення обладнання завжди від'єднуйте штепсель живлення чи акумуляторну батарею.

Перед установленням або вийманням акумуляторної батареї завжди перевіряйте, чи вимкнено обладнання.

Не стійте перед станком на одній лінії з лезом пили.

Завжди стійте збоку від леза.

Тримайте руки, пальці та п'ясті на безпечній відстані від леза пили, що обертається.

У жодному разі не простягайте руку в напрямку леза до його повної зупинки.

Перед використанням завжди ретельно перевіряйте інструмент на наявність пошкоджень чи ознак зношення матеріалу. Ремонт пошкоджених деталей доручається лише фахівцям.

Обов'язково користуватися захисним обладнанням машини. Не використовуйте станок, якщо захисні щитки не встановлено чи якщо вони не функціонують належним чином.

Чи не фіксуйте поворотне захисну огорожу.

У разі заземлення леза чи заготовки вимкніть пилу. Дочекайтеся зупинки всіх рухомих частин, вимкніть штепсель із розетки живлення та/або від'єдняйте акумулятор. Потім видаліть матеріал, який перешкоджає роботі.

У жодному разі не вносьте зміни чи модифікації в конструкцію пили чи її функціональних елементів. Це може вплинути на вашу безпеку.

Не використовуйте леза пили, якщо вони пошкоджені, деформовані чи мають тріщини.

Не використовувати пилокві диски, вироблені з швидкорізальної сталі.

Використовуйте тільки гострі леза пили. Замінійте затуплені леза на нові.

Під час зняття чи встановлення леза пили використовуйте пристрої для кріплення леза чи носіть рукавиці.

Використовувати пилокві диски завжди необхідного розміру та з відповідним отвором для кріплення.

Пилкові диски, які не пасують до детальної кріплення пилки, працюють не плавно та ведуть до втрати контролю.

Використовуйте тільки леза для деревообробки, вказані в цьому посібнику, що відповідають стандарту EN 847-1.

Для кріплення леза пили використовуйте тільки ті фланці, шайби та гайки, які входять у комплект поставки чи вказані в цьому посібнику.



Необхідно витримувати максимальну кількість обертів, вказану на пилковому диску.

Вибрати пилковий диск відповідно до оброблюваного матеріалу.

У жодному разі не використовуйте куторізну пилу для розрізання матеріалів, не вказаних у розділі «Цільове призначення» цього посібника.

Замінійте пластину для пропили в разі зношення чи пошкодження.

Перед роботою зробіть тренувальний розріз з увімкненим двигуном, щоб перевірити заготовку, положення леза та роботу захисних пристроїв із урахуванням інших деталей станка.

Не видаляти стружку або інші частини заготовок з області пиляння, коли машина працює і голівка пилки не знаходиться у положенні зупинки.

Під час транспортування станка використовуйте лише спеціальні пристрої для транспортування. Не використовуйте захисні пристрої для завантаження, розвантаження та транспортування.

Переносити торцювальну пилку за рукоятку тільки з заблокованим транспортним фіксатором.

На підлозі не повинно бути залишків матеріалів - стружки та тирси.

Для довгих заготовок необхідні відповідні опори.

Не можна розпилювати заготовки з круглим або нерівним перерізом (наприклад, дерева), бо їх неможливо надійно утримувати при пилянні. При пилянні плоских заготовок, що стоять на ребрі, необхідно використовувати відповідний допоміжний упор для безпечного спрямування пилки.

Пил, що утворюється під час роботи, часто буває шкідливим для здоров'я; він не повинен потрапляти в організм. Використовувати засоби для відсмоктування пилу та додатково носити відповідну маску для захисту від пилу. Відкладення пилу ретельно видаляти, наприклад, пилососом. При пилянні деревини під'єднайте пилку до пилососа.

Не заміняйте світлодіод або лазер пристроями іншого типу. Усі ремонтні роботи повинні виконуватися виробником або уповноваженим представником із обслуговування.

Пилкові диски, які не відповідають технічним параметрам цієї інструкції з експлуатації, використовувати не можна.

Інструменти слід транспортувати та зберігати в відповідному контейнері.

Необхідно повідомити відповідальній особі про несправності машини, в тому числі несправності захисного приладу або пилкового диску, як тільки вони виявляються.

Відрегулювати направляючий упор для різання під кутом, з нахилом або для комбінованого різання так, щоб встановити правильний зазор для подавання.

Швидкість подачі слід коригувати так, щоб уникати перегрівання зубців пилкового диску, а при різанні полімерних матеріалів - розтоплення матеріалу.

ПОПЕРЕДЖЕННЯ Не можна замінювати світлодіод іншим.

ЛЕЗО ДЛЯ РОЗРІЗАННЯ ДЕРЕВИНИ ВКАЗІВКИ З ТЕХНІКИ БЕЗПЕКИ ДЛЯ

Перед використанням леза пили та станка в цілому уважно прочитайте цей посібник і інструкції.

Станок повинен бути в належному стані, шпindel повинен бути не пошкодженим і обертатися без вібрації.

Не використовуйте пилу, якщо захисні щитки не встановлено, підтримуйте захисні щитки в належному стані та виконуйте необхідне обслуговування.

Переконайтеся в тому, що оператор пройшов належне навчання з техніки безпеки, налаштування і експлуатації станка.

Під час використання станка завжди носіть захисні окуляри та засоби захисту слуху. Рекомендується носити рукавиці, міцні нековзані черевики та фартух.

Перед використанням допоміжного приладдя див. відповідні інструкції в посібнику. Неправильне використання допоміжного приладдя може спричинити пошкодження обладнання та підвищує ризик поранення.

Використовуйте тільки леза, вказані в цьому посібнику, що відповідають стандарту EN 847-1.

Не перевищуйте максимальну швидкість обертання, вказану на лезі пили. Переконайтеся в тому, що швидкість, вказана на лезі пили, щонайменше дорівнює швидкості, вказаній на пилі.

Використовувати пилкові диски завжди необхідного розміру та з відповідним отвором для кріплення.

Пилкові диски, які не пасують до деталі кріплення пилки, працюють не плавно та ведуть до втрати контролю.

Не використовуйте леза з діаметром більше чи менше рекомендованого. Для встановлення леза на шпindel не використовуйте будь-які вставки.

Перед кожним використанням перевіряйте зубці леза на наявність пошкоджень або відхилень від норми. Пошкоджені чи надламані зубці можуть відлетіти під час роботи та підвищують ризик поранення.

Пилкові полотна з тріщинами або деформовані диски використовувати не можна! Не використовувати пилкові диски, що пошкоджені або деформовані.

Якщо лезо пили пошкоджено, деформовано, викривлено чи має тріщини, утилізуйте його; ремонт не допускається.

Не використовувати пилкові диски, вироблені з швидкорізальної сталі.

Переконайтеся в тому, що лезо пили встановлено правильно.

Перед використанням надійно затягніть гайку на оправці (зусилля затягування близько 12 Н·м).

Затягніть кріпильні гвинти та гайки за допомогою відповідного гайкового ключа чи аналогічного інструмента.

Подовження гайкового ключа чи затягування ударами молотка не допускаються.

Переконайтеся в тому, що лезо та фланці мають чисту поверхню і що утоплені сторони обруча притиснуто до леза.

Переконайтеся в тому, що лезо обертається у правильному напрямку.

Перед роботою зробіть тренувальний розріз з увімкненим двигуном, щоб перевірити заготовку, положення леза та роботу захисних пристроїв із урахуванням інших деталей станка.



УКР

У жодному разі не залишайте машину без нагляду.
Не змашуйте лезо, коли воно обертається.

У жодному разі не виконуйте роботи з очищення й обслуговування, якщо станок ще працює й головку не встановлено в положення вимкання.

У жодному разі не намагайтеся зупинити станок, що працює, притиснувши інструмент або будь-що інше до леза, це може призвести до нещасних випадків.

Перед заміною леза чи проведенням техобслуговування від'єднуйте пилу від живлення чи виймайте акумуляторну батарею.

Будьте обережні під час розпакування та запакування леза, ви можете легко поранитися гострими зубцями леза.

Під час зняття чи встановлення леза пилу використовуйте пристрій для кріплення леза чи носій рукавиці.

Зберігайте лезо в оригінальній або іншій придатній упаковці в сухому приміщенні подалі від хімічних речовин, які можуть пошкодити лезо.

ВКАЗІВКИ З ТЕХНІКИ БЕЗПЕКИ ДЛЯ ЛАЗЕР

Лазерне випромінювання, що використовується в цій пилі, відноситься до класу 1 з максимальною потужністю <math>< 1 \text{ мВт}</math> і довжиною хвилі 650 нм. Не розглядайте промінь безпосередньо за допомогою оптичних приладів. Невиконання цих правил може спричинити тяжке поранення.

Не дивіться в промінь під час роботи.

Не спрямовуйте лазерний промінь безпосередньо в очі іншим людям. Це може спричинити ураження очей.

Не розташовуйте лазер таким чином, коли хто-небудь може випадково чи навмисно подивитися в лазерний промінь.

Не використовуйте оптичні пристрої, щоб розглядати лазерний промінь.

Не працюйте з лазером поблизу дітей і не дозволяйте дітям експлуатувати лазерний пристрій.

Не намагайтеся самостійно відремонтувати лазерний пристрій.

Не намагайтеся самостійно замінювати будь-які деталі лазерного пристрою.

Усі ремонтні роботи повинні виконуватися виробником або уповноваженим представником із обслуговування.

ПОПЕРЕДЖЕННЯ Не замінювати вбудований лазер іншим.

Не спрямовувати лазер на відбиваючі поверхні.

Не спрямовуйте промінь лазера на людей. Лазер може бути джерелом небезпечного випромінювання.

ВИКОРИСТАННЯ ЗА ПРИЗНАЧЕННЯМ

Ковзна композитна куторізна пила призначена для розпилу суцільної деревини чи зв'язаних дерев'яних заготовок із приклеєним шаром фанери чи без нього, для розпилу пластику й деревоподібних матеріалів.

Ковзна композитна куторізна пила призначена для використання виключно дорослими операторами, що були ознайомлені з цим посібником і усвідомлюють ризики й небезпеки.

Ковзна композитна куторізна пила призначена для кріплення за основу до суцільної стільниці. Якщо основу не закріплено належним чином, весь станок може переміщуватися під час операції розрізання, що підвищує імовірність поранення.

Ковзна композитна куторізна пила призначена для виконання скошених і кутових зрізів. Товщину розрізання для різних зрізів наведено в специфікації продукту в цьому посібнику.

Ковзна композитна куторізна пила призначена для використання в сухих приміщеннях із добрим загальним освітленням і належною вентиляцією.

Ковзна композитна куторізна пила призначена для використання кінецьвим споживачем і лише описаним вище чином; заборонено використовувати пилу для будь-якої іншої потреби.

ЗАЛИШКОВІ НЕБЕЗПЕКИ

Навіть у тому випадку, якщо ковзна композитна куторізна пила використовується згідно з інструкціями, неможливо повністю виключити певні залишкові фактори ризику. Можуть виникати вказані нижче ризики, й оператор повинен звертати особливу увагу, щоб уникати їх.

- Ризик контакту з незакритими частинами леза пили, що обертається.
- Зворотний удар від робочих заготовок або їх частин внаслідок неправильного налаштування чи неналежного поводження.
- Викидання зламаних карбідних зубців від леза пили. Завжди носіть засоби захисту очей.
- Існує ризик ураження дихальної системи. Носіть захисні респіраторні маски з фільтрами, що відповідають оброблюваним матеріалам. Забезпечте належну вентиляцію робочої області. Не вживайте їжу та напої, не паліть у робочій області.
- У разі відмови від використання ефективних засобів захисту слуху може статися ураження органів слуху.

ПОПЕРЕДЖЕННЯ Пил від певних красок, покриттів і матеріалів може спричинити подразнення чи алергічну реакцію. Пил від таких матеріалів, як дуб, бук, МДФ тощо має канцерогенні властивості. Робота з азбестовмісними матеріалами та їх обробка може виконуватися лише кваліфікованими спеціалістами.

ПОПЕРЕДЖЕННЯ Використання інструмента протягом надмірно тривалого часу чи з підвищеною інтенсивністю може спричинити поранення. Якщо інструмент використовується протягом тривалого часу, обов'язково робіть регулярні перерви.

АКУМУЛЯТОРНІ БАТАРЕЇ

Знімну акумуляторну батарею, що не використовувалася тривалий час, перед використанням необхідно підзарядити.

Температура понад 50 °C зменшує потужність знімної акумуляторної батареї. Уникайте тривалого нагрівання сонячними променями або системою обігріву.

З'єднувальні контакти зарядного пристрою та знімної акумуляторної батареї повинні бути чистими.

Для забезпечення оптимального строку експлуатації акумуляторні батареї після використання необхідно повністю зарядити.

Для забезпечення максимального можливого терміну експлуатації акумуляторні батареї після зарядки необхідно виймати з зарядного пристрою.

При зберіганні акумуляторної батареї понад 30 днів: Зберігайте акумуляторну батарею при температурі приблизно 27 °C в сухому місці. Зберігайте акумуляторну батарею в стані зарядки



приблизно 30–50 %. Кожен 6 місяців заново заряджати акумуляторну батарею.

При екстремальному навантаженні або при екстремальній температурі з пошкодженої змінної акумуляторної батареї може витікати електроліт. При потрапленні електроліту на шкіру його негайно необхідно змити водою з милом. При потрапленні в очі їх необхідно негайно ретельно промити, щонайменше 10 хвилин, та негайно звернутися до лікаря.

Не зберігати змінні акумуляторні батареї разом з металевими предметами (небезпека короткого замикання).

Відпрацьовані змінні акумуляторні батареї не можна кидати у вогонь або викидати з побутовими відходами. AEG пропонує утилізацію старих змінних акумуляторних батарей, безпечно для довкілля; зверніться до свого дилера.

АКУМУЛЯТОР І ЗАРЯДНИЙ ПРИСТРІЙ

Сумісна акумуляторна батарея (не входить у комплектацію): System GBS

Сумісний зарядний пристрій (не входить у комплектацію): System GBS

Змінні акумуляторні батареї системи GBS заряджати лише зарядними пристроями системи GBS. Не заряджати акумуляторні батареї інших систем.

ТРАНСПОРТУВАННЯ ЛІТІЙ-ІОННИХ АКУМУЛЯТОРНИХ БАТАРЕЙ

Літій-іонні акумуляторні батареї підпадають під заборону перевезення про перевезення небезпечних вантажів.

Транспортування таких акумуляторних батарей повинно відбуватися із дотриманням місцевих, національних та міжнародних приписів та положень.

Споживачі можуть без проблем транспортувати ці акумуляторні батареї по вулиці.

Комерційне транспортування літій-іонних акумуляторних батарей експедиторськими компаніями підпадає під положення про транспортування небезпечних вантажів. Підготовку до відправлення та транспортування можуть здійснювати виключно особи, які пройшли відповідне навчання. Весь процес повинні контролювати кваліфіковані фахівці.

При транспортуванні акумуляторних батарей необхідно дотримуватись зазначених далі пунктів:

Переконайтеся в тому, що контакти захищені та ізольовані, щоб запобігти короткому замиканню. Слідкуйте за тим, щоб акумуляторна батарея не переміщувалася всередині упаковок. Пошкоджені акумуляторні батареї, або акумуляторні батареї, що потекли, не можна транспортувати. Для отримання подальших вказівок звертайтеся до своєї експедиторської компанії.

ЗАХИСТ АКУМУЛЯТОРНОЇ БАТАРЕЇ ВІД ПЕРЕВАНТАЖЕННЯ

У випадку перевантаження акумуляторної батареї внаслідок дуже високого споживання струму, наприклад, надмірно високого крутного моменту, раптової зупинки або короткого замикання, електроінструмент вібрує 5 секунд, індикатор заряду блимає, електроінструмент самостійно вимикається.

Для повторного увімкнення відпустити кнопку вимикача і знов увімкнути.

При надмірних навантаженнях акумуляторна батарея сильно перегрівается. В цьому випадку всі лампочки індикатора заряду блимають, доки акумуляторна батарея не охолоне. Можна продовжити роботу після того, як індикатор заряду згасне.

Вставити акумуляторну батарею в зарядний пристрій, щоб знову зарядити та активувати її.

ОБСЛУГОВУВАННЯ

Не вносьте будь-які модифікації в конструкцію пили та не використовуйте приладдя, не затверджене виробником. Це може вплинути на вашу безпеку та безпеку інших людей.

Не використовуйте пилу, якщо будь-які вимикачі, захисні щитки та інші функціональні елементи не працюють належним чином. Поверніть обладнання в уповноважений центр обслуговування для професійного ремонту чи налаштування.

Не виконуйте будь-які операції з налаштування, коли лезо пили рухається.

Перед налаштуванням, змащуванням або будь-якими операціями з обслуговування станка виймайте акумуляторну батарею.

Перед кожним використанням і після нього перевіряйте пилу на наявність пошкоджень і зламаних деталей та підтримуйте її в належному робочому стані, негайно замінюючи деталі запчастинами, затвердженими виробником.

Після використання лезо має дуже високу температуру, перед виконанням операцій з обслуговування чи очищення надавайте рукавиці.

Видаляйте пил, що накопичується, за допомогою щітки чи пилососа. Не використовуйте стиснене повітря.

Для забезпечення безпеки та надійності всі ремонтні роботи, включно з заміною щіток, необхідно виконувати в уповноваженому центрі обслуговування.

Чистити прилад та захисний пристрій сухою серветкою.

Завжди підтримувати чистоту вентиляційних отворів.

ЗАПЧАСТИНИ

Використовувати комплектуючі та запчастини тільки від AEG. Деталі, заміна яких не описується, замінювати тільки в відділі обслуговування клієнтів AEG (зверніть увагу на брошуру „Гарантія / адреси сервісних центрів“).

У разі необхідності можна запросити креслення з зображенням вузлів машини в перспективному вигляді, для цього потрібно звернутися в ваш відділ обслуговування клієнтів або безпосередньо в Techtronic Industries GmbH, Max-Eyth-Strasse 10, 71364 Winnenden, Німеччина, та вказати тип машини та шестизначний номер на фірмовій табличці з даними машини.

СЕРТИФІКАТ ВІДПОВІДНОСТІ ВИМОГАМ ЄС

Ми заявляємо на власну відповідальність, що виріб, описаний в „Технічних даних“, відповідає всім застосовним положенням директиви
2011/65/EU
2006/42/EC
2014/30/EU

та наступним гармонізованим нормативним документам:

EN 61029-1:2009 + A11:2010
EN 61029-2-9:2012 + A11:2013
EN 55014-1:2006+A1:2009+A2:2011
EN 55014-2: 1997+A1:2001+A2:2008
EN 50581:2012



Winnenden, 2016-12-02

Alexander Krug / Managing Director
Уповноважений із складання технічної документації.
Techtronic Industries GmbH
Max-Eyth-Straße 10, 71364 Winnenden, Germany

СИМВОЛИ



УВАГА! ПОПЕРЕДЖЕННЯ! НЕБЕЗПЕЧНО!



Перед будь-якими роботами на приладі вийняти змінну акумуляторну батарею.



Уважно прочитайте інструкцію з експлуатації перед введенням приладу в дію.



Під час роботи з машиною завжди носити захисні окуляри.



Використовувати засоби захисту органів слуху!



Носити захисні рукавиці!



Відгвинчування гвинта / Напрямок обертання



Руки ніколи не повинні знаходитися в області пилкового диску.



Пристрій підходить тільки для використання в приміщеннях, не виставляти пристрій під дощ.



Не дивитися в лазерний промінь



This product corresponds to the laser class 1 in accordance with EN 60825-1:2014.



Ø30 mm
Ø254 mm
Ø пилкового диску x Ø отвору



Напрямок обертання



лезо зубів



Ширина різання



Електричні прилади не можна утилізувати з побутовими відходами. Електричні та електронні прилади необхідно збирати окремо та здавати в спеціалізовані підприємства для утилізації, що не шкодить навколишньому середовищу. Зверніться до місцевих органів або до вашого дилера, щоб отримати адреси пунктів вторинної переробки та пунктів прийому.



Знак CE



Знак відповідності для UkrSEPRO



Знак відповідності для Європи та Азії EurAsian



تنبيه! تحذيرا خطرا!



انزع البطارية قبل التعامل مع الجهاز.



يرجى قراءة التعليمات بعناية قبل بدء تشغيل الجهاز.



ارتد دائما نظارات الوقاية عند استخدام الجهاز.



ارتد واقيات الأذن!



ارتد القفازات!



فتح البرغي / اتجاه دوران



احتفظ دائما بيديك بعيدا عن مسار شفرة المنشار.



هذه الأداة مناسبة للاستخدام الداخلي فقط. لا تُعرض الآلة للمطر مطلقا.



لا تحدد في الشعاع.



This product corresponds to the
laser class
in accordance with EN 1
.60825-1:2014



قطر شفرة المنشار × قطر الثقب
Ø30 mm
Ø254 mm

اتجاه دوران



أسنان شفرة



عرض القطع



يحظر التخلص من الأجهزة الكهربائية في القمامة المنزلية. يجب جمع الأجهزة الكهربائية والإلكترونية منفصلة وتسليمها للتخلص منها بشكل لا يضر بالبيئة لدى شركة إعادة استغلال. الرجاء الاستفسار لدى الهيئات المحلية أو لدى التجار المتخصصين عن مواقع إعادة الاستغلال ومواقع الجمع.

علامة المطابقة الأوروبية



علامة المطابقة UkrSEPRO



علامة المطابقة الأوروبية الآسيوية



استخدم ملحقات AEG و قطع الغيار التابعة لها فقط. إذا كانت المكونات التي يجب تغييرها غير مذكورة، يرجى الاتصال بأحد عملاء صيانة AEG (انظر قائمة عناوين الضمان/الصيانة الخاصة بنا).

عند الحاجة يمكن طلب رمز انفجار الجهاز بعد ذكر طراز الآلة والرقم السداسي المذكور على بطاقة طاقة الآلة لدى جهة خدمة العملاء أو مباشرة لدى شركة

Techtronic Industries GmbH
Max-Eyth-Straße 10
71364 Winnenden
ألمانيا

إعلان المطابقة - الاتحاد الأوروبي

نعلن تحت مسؤوليتنا وحدنا أن المنتج المعين تحت اسم البيانات الفنية" يستوفي جميع الأحكام ذات الصلة ضمن التوجيهات

2011/65/EU

2006/42/EG

2014/30/EU

والمعايير المتسقة التالية

EN 61029-1:2009 + A11:2010

EN 61029-2-9:2012 + A11:2013

EN 55014-1:2006+A1:2009+A2:2011

EN 55014-2: 1997+A1:2001+A2:2008

EN 50581:2012



2016-12-02 ,Winnenden

Alexander Krug

Alexander Krug / Managing Director
معمتدة للمطابقة مع الملف الفني

Techtronic Industries GmbH
Max-Eyth-Straße 10, 71364 Winnenden,
Germany

ينبغي استخدام منشار تلسين مجمع الشرايح في الظروف الجافة ومع وجود إضاءة محيطة ممتازة وتهوية كافية.

تم تخصيص منشار تلسين مجمع الشرايح لاستخدام العملاء ولا ينبغي استخدامه إلا بالطريقة الموضحة أعلاه وغير مخصص للاستخدام لأي غرض آخر.

المخاطر المتبقية

- حتى عند استخدام منشار تلسين مجمع الشرايح على النحو المنصوص عليه، فلا يزال من المستحيل القضاء نهائياً على بعض عوامل الخطر المحتملة. قد تنشأ المخاطر التالية وينبغي على المشغل الحذر الشديد لتجنب ما يلي:
- خطر التلامس مع الأجزاء المكشوفة لشفرة المنشار الدوارة.
- ارتداد لقطع العمل أو أجزاء من قطع العمل بسبب الضبط أو المعالجة غير السليمة.
- قذف لأطراف الكريبيد المعيبة من شفرة المنشار. ارتدواقي للعيدين في جميع الأوقات.
- ضرر بالجهاز التنفسي. ارتدواقعة لحماية الجهاز التنفسي. تنودي على مرشحات مناسبة للمواد التي يتم التعامل معها. تأكد من التهوية الكافية في مكان العمل. لا تأكل أو تشرب أو تدخن في منطقة العمل.
- ضرر بحاسة السمع إذا لم يتم ارتداء واقي سمع.
- تحذير قد يتسبب الغبار الناتج عن بعض الدهانات والطلاءات والمواد في التهيج أو الحساسية. الغبار الناتج عن الخشب مثل البلوط والزان و MDF وغيرها تعتبر من الأمور المسببة للسرطان. لا ينبغي العمل على المواد التي تحتوي على الحزير الصخري (اسبستوس) أو معالجتها إلا بواسطة مشغلين مؤهلين ومتخصصين.
- تحذير قد يكون السبب في وقوع إصابات أو تفاعلهما هو الاستخدام المطول للأداة. عند استخدام أي أداة لمدة طويلة، تأكد من أخذ فترات راحة منتظمة.

البطاريات

يجب إعادة شحن البطارية غير المستخدمة لفترة قبل الاستخدام.

تقلل درجات الحرارة التي تتجاوز 50° سيلزيوس (122° فهرنهايت) من أداء البطارية. تجنب التعرض الزائد للحرارة أو أشعة الشمس (خطر التسخين).

يجب الحفاظ على محتويات الشواحن و البطاريات نظيفة. للحصول على فترة استخدام مثالية، يجب شحن البطاريات تماماً، بعد الاستخدام.

للحصول على أطول عمر ممكن للبطارية، انزع البطارية من الشاحن بمجرد شحنها تماماً.

لتخزين البطارية أكثر من 30 يوم: خزن البطارية بحيث تكون درجة الحرارة أقل من 27° سيلزيوس وبعيدا عن أي رطوبة خزن البطارية مشحونة بنسبة تتراوح بين 50% - 30 اشحن البطارية كالمعتاد، وذلك كل ستة أشهر من التخزين.

قد يتسرب حامض البطارية من البطاريات التالفة في ظروف الحمل الزائد بدرجة كبيرة أو في درجات الحرارة الشديدة. في حالة ملامسة حامض البطارية اغسل يدك فوراً بالماء والصابون. في حالة ملامسة السائل للعينين اشطفهما جيدا لمدة 10 دقائق على الأقل واطلب العناية الطبية فوراً.

لا تقم بتخزين البطارية مع الأشياء المعدنية (خطر قصر الدائرة)...

لا تتخلص من البطاريات المستعملة مع النفايات المنزلية أو بحرقها. يقدم مزووع AEG خدمة استعادة البطاريات القديمة لحماية البيئة.

البطارية والشاحن

حزمة بطارية متوافقة (غير مشمول): System GBS

شاحن متوافق (غير مشمول): System GBS

استخدم فقط شواحن System GBS لشحن بطاريات System GBS. لا تستخدم بطاريات من أنظمة أخرى.

نقل بطاريات الليثيوم

تخضع بطاريات الليثيوم أيون لشروط قوانين نقل السلع الخطرة.

ويجب نقل هذه البطاريات وفقاً للأحكام والقوانين المحلية والوطنية والدولية.

يمكن للمستخدم نقل البطاريات برأ دون الخضوع لشروط أخرى.

يخضع النقل التجاري لبطاريات الليثيوم أيون عن طريق الغير إلى قوانين نقل السلع الخطرة. يتعين أن يقوم أفراد مدربون جيداً بالإعداد لعملية النقل والقيام بها بصحبة خبراء مثلهم.

متى تُنقل البطاريات:

عند التأكد من حماية أطراف توصيل البطارية وعزلها تجديداً لحدوث قصر بالاندازة. عند التأكد من حماية حزمة البطارية من الحركة داخل صندوق التعبئة. يُرجى عدم نقل البطاريات التي بها تشققات أو تسربات. يُرجى البحث مع شركة الشحن عن نصيحة أخرى

حماية البطارية

في حالات العزم العالي، أو إعاقة الحركة أو التوقف المفاجئ أو القصور في الدائرة الكهربائية الذي ينتج عنه سحب لقدر كبير من التيار الكهربائي، تستصدر الأداة نبذبات لمدة 5 ثوان، وسيضيء مقياس الوقود ثم تتوقف عن العمل. لإعادة الضبط، حرر الزناد.

في الظروف القصوى للعمل، قد ترتفع درجة الحرارة الداخلية للبطارية ارتفاعاً شديداً. إذا حدث ذلك، سيضيء مقياس الوقود حتى تنخفض درجة حرارة البطارية. بعد انطفاء الأضواء، يمكنك متابعة العمل.

ضع البطارية على الشاحن للشحن ثم أعد ضبطها.

الصيانة

لا تقم بتعديل هذا المنشار بأي شكل من الأشكال ولا تستخدم ملحقات غير معتمدة من قبل الشركة المصنعة. قد تعرض سلامتك وسلامة الآخرين للخطر.

لا تستخدم المنشار في حالة عدم عمل أي مفاتيح أو أدوات حماية أو غيرها من الوظائف كما ينبغي. ارجع إلى مركز صيانة معتمد للحصول على عمليات إصلاح أو ضبط محترفة. لا تجر أي عمليات ضبط أثناء حركة شفرة المنشار.

قم بإزالة حزمة البطارية قبل إجراء عمليات ضبط أو تشحيم أو عند القيام بأي صيانة على الجهاز.

قبل وبعد كل استخدام، تحقق من المنشار للتأكد من عدم وجود تلف أو أجزاء مكسورة وحافظ عليه في أفضل حالة عمل عن طريق استبدال الأجزاء على الفور بقطع غيار معتمدة من قبل الشركة المصنعة.

تكون الشفرة ساخنة جداً بعد الاستخدام، فارتد ففاضات أو اتركها لتبرد قبل إجراءات الصيانة أو التنظيف.

نظف الغبار المتراكم باستخدام فرشاة أو مكبسة كهربائية. لا تستخدم الهواء المضغوط.

لضمان السلامة والموثوقية، ينبغي إجراء جميع الإصلاحات، بما في ذلك تغيير الفرش، بواسطة مركز صيانة معتمد.

تأكد من فصل الأداة من مورد الطاقة قبل تركيب نصل المنشار أو إزالته.

نظف الجهاز وحاجب الحماية بوظة جافة.

يجب أن تكون فتحات تهوية الجهاز نظيفة طوال الوقت.

لا تستخدم شفرات منشار لا تتوافق مع البيانات الرئيسية الموضحة في تعليمات الاستخدام هذه.

اعمل على نقل أو تخزين الأدوات في حاوية مناسبة؛

يجب إبلاغ المسؤولين أو الأشخاص المعنيين بالسلامة بأية أخطاء تتجسد مع الماكينة، ويشمل ذلك الأخطاء المتعلقة بالوقاية أو شفرات المنشار، وذلك بمجرد اكتشاف الخطأ.

عند القيام بالقطوعات المائلة أو المخروطية أو الزاوية المركبة، قم بتعديل الحاجر المنزلق لضمان تخلص القطع من النصل بشكل صحيح.

التكيف مع سرعة التغذية لتجنب الحرارة الزائدة لأسنان الشفرة ولتجنب إنصهار المواد البلاستيكية أثناء عملية القطع.

تحذير لا تقم باستبدال الـ LED بطراز آخر.

شفرة قطع الخشب تعليمات السلامة

يرجى قراءة الدليل والتعليمات بعناية قبل استخدام شفرة المنشار والجهاز.

يجب أن يكون الجهاز في حالة جيدة والمحور سليم لا يحتوي على تشوهات أو اهتزازات.

لا تستخدم المنشار بدون وضع أدوات الحماية في موضعهما، وحافظ على أدوات الحماية في وضع تشغيل جيد وقم بصيانتها بشكل مناسب.

تأكد من تدريب المشغل بشكل كافٍ على احتياطات السلامة وعمليات ضبط وتشغيل الجهاز.

ارتد دائماً نظارات واقية وواقى للأذن عند استخدام الجهاز. يوصى بارتداء قفازات وأحذية قوية مانعة للانزلاق ومريلة واقية.

قبل استخدام أي ملحقات، راجع دليل التعليمات. يمكن أن يتسبب الاستخدام غير السليم لأحد الملحقات إلى التلف وزيادة احتمالية الإصابة.

لا تستخدم سوى الشفرات المحددة في هذا الدليل، المتوافقة مع المعيار EN 847-1.

لاحظ السرعة القصوى الموضحة على شفرة المنشار. تأكد من أن السرعة الموضحة على شفرة المنشار مساوية على الأقل للسرعة الموضحة على المنشار.

استخدم دائماً الشفّن مقابل الشكل الدائري للثقوب المجوفة.

تعمل الشفرات التي لا تتناسب مع جهاز التركيب بالمنشار بشكل غريب، مسببة فقدان السيطرة.

لا تستخدم شفرات بقطر أكبر أو أصغر من القطر الموصى به. لا تستخدم أية مبادلات لجعل الشفرة مناسبة على المحور.

تحقق من أطراف المنشار للتأكد من خلوها من أي أضرار أو مظاهر غير طبيعية قبل كل استخدام. قد تشكل الأطراف التالفة أو المفكوكة أجساماً طائرة عند الاستخدام، مما يزيد من احتمالية الإصابة الشخصية.

لا تستخدم شفرات منشار مشقوقة أو معوجة. لا تستخدم شفرات المنشار التالفة أو المشوهة

تخلص من شفرة المنشار في حالة تلفها أو تشوهها أو انحرافها أو تصدعها، وغير مسموح بإصلاحها.

لا تستخدم شفرات المنشار المصنوعة من صلب عالي السرعة.

تأكد من تثبيت شفرة المنشار بشكل صحيح، وإحكام ربط صامولة المحور بشكل آمن قبل الاستخدام (عزم إحكام الربط 12 نيوتن متر تقريباً).

يجب إحكام ربط براغي وصواميل التثبيت باستخدام مفتاح براغي مناسب، وما إلى ذلك.

غير مسموح باستخدام أداة تمديد لمفتاح البراغي أو إحكام الربط باستخدام ضربات المطرقة.

تأكد من نظافة الشفرة والحواف ومن أن الجوانب المجوفة للطرق مقابلة للشفرة.

تأكد من دوران الشفرة في الاتجاه الصحيح.

قبل التشغيل، قم بعمل قطع وهمي دون تشغيل المحرك حتى تتمكن من التحقق من موضع الشفرة ومن تشغيل أدوات الحماية بالنسبة لأجزاء الجهاز الأخرى والتحقق من قطعة العمل.

لا تترك الجهاز بدون مراقبة.

لا تضع مواد التشحيم على الشفرة أثناء التشغيل.

لا تقم بإجراء أي أعمال تنظيف أو صيانة أثناء تشغيل الجهاز وعدم وجود الرأس في موضع الراحة.

لا تحاول مطلقاً إيقاف الجهاز الذي يعمل بحركة سريعة عن طريق حشر أداة أو أية وسائل أخرى أمام الشفرة، فقد يتسبب ذلك في حوادث خطيرة عن غير قصد.

افصل المنشار عن مصدر إمداد التيار الكهربائي أو قم بإزالة حزمة البطارية قبل تغيير الشفرات أو القيام بأعمال صيانة.

كن حذراً أثناء تعبئة أو فك تعبئة الشفرة، فمن السهل الإصابة من أطراف الشفرة الحادة.

استخدم حامل شفرات أو ارتد قفازات عند التعامل مع شفرة منشار.

احفظ بالشفرة وخبزنها في مواد التعبئة الأصلية أو مواد تعبئة أخرى مناسبة، وحافظ عليها في ظروف جافة وبعيداً عن المواد الكيميائية التي قد تتلف الشفرة.

تعليمات السلامة للليزر

أشعة الليزر المستخدمة في هذا المنشار من الفئة 1 بأطوال موجية > 1 ميغاوات و650 نانومتر بحد أقصى. لا تنظر بشكل مباشر على الأدوات البصرية. قد يؤدي عدم الامتثال لهذه القواعد إلى حدوث إصابات شخصية خطيرة.

لا تحدد في الشعاع أثناء التشغيل.

لا تسلط الشعاع الليزر مباشرة باتجاه عيون الآخرين. فقد يؤدي ذلك إلى إصابة خطيرة في العين.

لا تضع الليزر في موضع قد يتسبب في تحديق أحد الأشخاص على شعاع الليزر بقصد أو عن غير قصد.

لا تستخدم الأدوات البصرية لعرض شعاع الليزر.

لا تقم بتشغيل الليزر حول الأطفال أو تسمح لهم بتشغيله.

لا تحاول إصلاح جهاز الليزر بنفسك.

لا تحاول تغيير أي جزء من أجزاء جهاز الليزر بنفسك.

لا يجب إجراء أي إصلاحات إلا بواسطة الشركة المصنعة أو وكيل صيانة معتمد.

تحذير حرك حاجر القطع بعيداً عن مسار العمل عند القطع المتعامد.

لا توجه الليزر على الأسطح العاكسة،

تجنب التعرض لإشعاع الليزر. قد يصدر الليزر إشعاعات خطيرة.

شروط الاستخدام المحددة

يهدف منشار تلسين مجمع الشرائح إلى نشر الأخشاب الصلبة والمجمعة مع أو بدون قشرة لاصقة أو مواد بلاستيكية أو مواد مماثلة للخشب.

يهدف منشار تلسين مجمع الشرائح للاستخدام فقط من قبل المشغلين البالغين الذي قرأوا دليل التعليمات وفهموا المخاطر والأخطار.

تم تصميم منشار تلسين مجمع الشرائح ليتم تثبيته من القاعدة في منضدة صلبة. إذا لم يتم تثبيت القاعدة بشكل آمن، فقد يتحرك الجهاز كله أثناء عمليات القطع، مما يزيد من احتمالية الإصابة الشخصية الخطيرة.

تم تصميم منشار تلسين مجمع الشرائح لعمل عمليات قطع مائلة الحواف ومشطوبة. يتم توفير قدرات مختلف عمليات القطع في مواصفات المنتج بهذا الدليل.



قم بتأمين قطعة العمل. حيثما أمكن، استخدم مشابك أو منجلة لتثبيت العمل. ففي أكثر أماناً من استخدام يدك.

لا تمد يديك إلى الأجزاء البعيدة عن متناولك وحافظ على توازنك في جميع الأوقات.

حافظ على الأدوات بعناية. حافظ على أدوات القطع حادة ونظيفة للحصول على أداء أفضل وأكثر أماناً. اتبع تعليمات التشحيم وتعليمات تغيير الملحقات. افحص أسلاك الأداة بشكل دوري وفي حالة تلفها، قم بإصلاحها في مركز صيانة معتمد. افحص أسلاك التمديد بشكل دوري واستبدلها في حالة تلفها.

افصل الأدوات. عند عدم الاستخدام وقيل الصيانة وعند تغيير الملحقات مثل الشفرات والقطع الصغيرة والقواطع، افصل الأدوات عن مصدر الطاقة.

قم بإزالة مفاتيح الضبط ومفاتيح الربط. التزم بعادة التحقق من إزالة مفاتيح الضبط ومفاتيح الربط من الأداة قبل تشغيلها.

تأكد من وجود المفتاح في الوضع "Off" (إيقاف) عند تركيب حزمة البطارية.

استخدم أسلاك توصيل خارجية. عند استخدام الأداة في الخارج، لا تستخدم سوى أسلاك التمديد المخصصة للاستخدام الخارجي والمميزة بذلك.

حافظ على انتباهك. راقب ما تقوم به واستخدم الحس العام ولا تقم بتشغيل الأداة عندما تكون متعباً.

قيل الاستخدام، تحقق بدقة من الأداة من حيث وجود تلف أو مواد منهكة. تحقق من محاذاة الأجزاء المتحركة ومن ربطها بإحكام ومن عدم انكسار الأجزاء وتحقق من التركيبات وأية حالات أخرى قد تؤثر على التشغيل.

لا تستخدم الجهاز إذا لم تكن أدوات الحماية في مكانها وتعمل بشكل صحيح.

يجب إصلاح الأجزاء التالفة فوراً من خلال ورشة عمل معتمدة. لا تستخدم الأداة في حالة عدم عمل المفتاح على تشغيلها وإيقافها.

تحذير استخدام أي ملحقات أو مرفقات بخلاف الموصى بها في دليل التعليمات هذا قد يُشكل خطراً يؤدي إلى الإصابة الشخصية.

قم بإصلاح الأداة بواسطة شخص مؤهل. تتوافق هذه الأداة الكهربائية مع قواعد السلامة ذات الصلة. لا ينبغي إجراء إصلاحات إلا بواسطة أشخاص مؤهلين باستخدام قطع غير أصلية، وإلا فقد يُشكل عدم القيام بذلك خطراً كبيراً على المستخدم.

⚠️ تعليمات السلامة المتعلقة بمناشير التلسين

احكم دائماً تثبيت قطعة العمل بسلامة وأمان.

تأكد دائماً من أن الماكينة ثابتة ومؤمنة (على سبيل المثال، مثبتة في طاولة العمل).

ارتد واقيات الأذن. ارتد قد يسبب التعرض للضوضاء إلى فقدان السمع.

ارتد دائماً نظارة الوقاية عند العمل بالالة. يوصى بارتداء قفازات عند التعامل مع الشفرات والمواد الخشنة، فضلاً عن ارتداء أحذية قوية مانعة للانزلاق لكي تحمي القدم من قطع العمل التي قد تقع من منطقة القطع.

قم دائماً بإزالة القابض أو حزمة البطارية قبل إجراء أي تعديلات أو صيانة أو تنظيف الجهاز.

تأكد من إيقاف الجهاز قبل تركيب أو إزالة حزمة البطارية.

لا تقف على نفس مسار شفرة المنشار أمام الجهاز.

قف دائماً على أحد جانبي شفرة المنشار.

ابق يديك وأصابعك وذراعوك بعيداً عن شفرة المنشار الدوارة. لا تقترب أبداً من المنطقة القريبة من الشفرة، ما لم تكن الشفرة متوقفة تماماً.

قبل الاستخدام، تحقق بدقة من الأداة من حيث وجود تلف أو مواد منهكة أو تقادم. الأجزاء التي بها أضرار يتم إصلاحها من شخص متخصص فقط.

استخدم دائماً درع الوقاية عند تشغيل الآلة. لا تستخدم الجهاز إذا لم تكن أدوات الحماية في مكانها وتعمل بشكل صحيح. لا تثبت وافي الحماية المتأرجح.

إذا انحشرت قطعة الشغل أو النصل، فأوقف المنشار، وانتظر قليلاً حتى تتوقف كافة الأجزاء الدوارة ثم افصل مصدر التيار وأو انزع البطارية ثم قم بإزالة المادة المحشورة.

لا تقم بتغيير أو تعديل المنشار أو إحدى وظائفه مطلقاً. فقد تُعرض سلامتك للخطر.

لا تستخدم شفرات المنشار المتصدعة أو التالفة أو المشوهة. لا تستخدم شفرات المنشار المصنوعة من صلب عالي السرعة.

لا تستخدم شفرات المنشار إلا إذا كانت حادة. استبدل الشفرات غير الحادة بأخرى جديدة.

استخدم حامل شفرات أو ارتد قفازات عند التعامل مع شفرة منشار.

استخدم دائماً الشفون مقابل الشكل الدائري للثقب المجوفة. تعمل الشفرات التي لا تتناسب مع جهاز التركيب بالمنشار بشكل غريب، مسببة فقدان السيطرة.

لا تستخدم سوى شفرات الأشغال الخشبية المحددة في هذا الدليل، التي تتوافق مع المعيار EN 847-1.

لا تستخدم أي حواف أو حلقات أو صواميل لتثبيت شفرة المنشار بخلاف المزودة أو المبينة في دليل التعليمات.

من الأهمية بمكان الالتزام بحدود السرعة القصوى المحدد على شفرة المنشار.

من الضروري اختيار شفرة المنشار التي تتناسب مع المادة المراد قطعها.

لا تستخدم منشار التلسين مطلقاً لقطع مواد بخلاف تلك المحددة في قسم "الاستخدام المقصود" في هذا الدليل.

استبدل، وبليجة الطويلة عند تآكلها أو تلفها.

قبل التشغيل، قم بعمل قطع وهمي دون تشغيل المحرك حتى تتمكن من التحقق من موضع الشفرة ومن تشغيل أدوات الحماية بالنسبة لأجزاء الجهاز الأخرى والتحقق من قطعة العمل.

لا تعمل على إزالة أي فضلات للقطع أو غيرها من أجزاء قطعة العمل من منطقة القطع أثناء تشغيل الماكينة وحينما يكون رأس المنشار ليس في وضع السكون.

عند نقل الجهاز، استخدم فقط أجهزة نقل ولا تستخدم مطلقاً أدوات الحماية للمعالجة أو النقل.

يجب دائماً تشغيل قفل المقبض عند نقل منشار التلسين.

حافظ على نظافة الأرضية من بقايا المواد المفككة (مثل، الشظايا وفضلات القطع).

يجب دعم قطع العمل الطويلة بشكل كافٍ.

لا يجب قطع الجذع الذي به مقطع عرضي مستدير أو غير منظم (مثل خشب الوود)، حيث لا يمكن تثبيته بشكل آمن أثناء القطع. عند نشر جذع رقيق من عند الحافة، يتعين استخدام سياج إضافي مناسب للدعم الثابت.

قد تكون الأتربة الناتجة عن استخدام هذه الآلة ضارة بالصحة. لا تستنشق هذه الأتربة. استخدم نظام امتصاص الأتربة وارتد قناعاً واقياً من الأتربة مناسباً. قم بإزالة الأتربة الموجودة تماماً، باستخدام المكنسة الكهربائية على سبيل المثال.

عند نشر الأخشاب قم بتوصيل المنشار بمكنسة كهربائية.

لا تستبدل المصباح LED أو الليزر بنوع آخر. لا يجب إجراء أي إصلاحات إلا بواسطة الشركة المصنعة أو وكيل صيانة معتمد.

BPS18-254BL	البيانات الفنية متشار زاوية *
4601 74 01... ... 000001-999999	إنتاج عدد
18 V	فولطية البطارية
3900 min ⁻¹	أقصى سرعة دون وجود حمل
254 × 30 mm	قطر شفرة المنشار × قطر الثقب
1,6 mm	سمك هيكل شفرة المنشار
2,2 mm	سمك سن شفرة المنشار
90 mm × 305 mm 39 mm × 305 mm 43 mm × 305 mm 90 mm × 215 mm 50 mm × 215 mm 39 mm × 215 mm 43 mm × 215 mm	الحد الأقصى لقدرة القطع القطع المائل 0° / الأسطح المائلة 0° القطع المائل 0° / الأسطح المائلة 45° القطع المائل 0° / الأسطح المائلة 45° القطع المائل 45° / الأسطح المائلة 0° القطع المائل 45° / الأسطح المائلة 0° القطع المائل 45° / الأسطح المائلة 45° القطع المائل 45° / الأسطح المائلة 45°
215 × 35 × 2,5 mm	الحد الأدنى لأبعاد قطعة العمل
16,3 kg	الوزن وفقاً لنهج EPTA رقم 01/2003 (Li-Ion 5.0 Ah)
معلومات الضوضاء	
القيم التي تم قياسها محددة وفقاً للمعايير الأوروبية EN 61029 مستويات ضوضاء الجهاز، ترجيحاً بشكل نمذجي كالتالي:	
89,0 dB (A)	مستوى ضغط الصوت (الارتياح في القياس = 3 ديسيبل ((
98,5 dB (A)	مستوى شدة الصوت (الارتياح في القياس = 3 ديسيبل ((
ارتد وأقيات الأذن!	
معلومات الاهتزاز	
قيم الذبذبات الإجمالي (مجموع الكميات الموجهة في المحاور الثلاثة) محددة وفقاً للمعايير الأوروبية EN 61029.	
1,1 m/s ²	نشر الخشب: قيمة انبعاث الذبذبات a _B
1,5 m/s ²	الارتياح في القياس



* PS ≙ منشار زاوية

تحذير!

استخدام هذه الألة الكهربائية وقم بالاحتفاظ بتعليمات الأمان بشكل جيد.

حافظ على منطقة العمل خالية. المناطق والمقاعد الفوضوية قد تؤدي إلى حدوث إصابات.

اهتم ببيئة منطقة العمل. لا تُعرض الأدوات للمطر. لا تستخدم الأدوات في مواقع رطبة أو مبللة. حافظ على منطقة العمل مضاءة بشكل جيد. لا تستخدم الأدوات في وجود السوائل القابلة للاشتعال أو الغازات.

تنبيه! خطر التعرض لصدمة كهربائية لقياس. تجنب ملامسة الجسم للأسطح المؤرضة مثل الأنايب، المبردات، والمواقد والثلاجات.

ابق الأشخاص الآخرين بعيداً. لا تسمح للأشخاص غير المشاركين في العمل، وخاصة الأطفال، بلمس الأداة أو سلك التمديد، وأبعدهم عن منطقة العمل.

خزن الأدوات غير المستخدمة. عند عدم الاستخدام، ينبغي تخزين الأدوات في مكان جاف ومقفّل، بعيداً عن متناول الأطفال.

استخدم الأداة المناسبة. لا تستخدم الأدوات الصغيرة لإجراء مهام أدوات المهام الشاقة.

ارتد الملابس المناسبة. لا ترتد الملابس أو المجوهرات الفضفاضة، حيث قد تعلق بالأجزاء المتحركة.

استخدم معدات الوقاية. استخدم النظارات الواقية. استخدم قناع الوجه أو قناع الغبار إذا صدر غبار عن عمليات العمل.

لا تشد السلك لفصله عن مقبس الكهرباء. ابق السلك بعيداً عن الحرارة والزيوت والحواف الحادة.

تم قياس مستوى انبعاث الذبذبات الموجود بوثيقة المعلومات 61029 وفقاً للاختبار القياسي وفقاً للمعايير الأوروبية EN استخدامه لمقارنة جهاز بغيره. كما يمكن استخدامه لعرض تقييم تمهيدي.

يمثل مستوى انبعاث الذبذبات المعلن عنه تطبيقات الجهاز الرئيسية. بالرغم من ذلك، فإنه إذا ما تم استخدام الجهاز لتطبيقات مختلفة، وملحقات مختلفة أو لم يتم المحافظة عليه، فقد يختلف انبعاث الذبذبات. قد يزيد ذلك بصورة كبيرة من مستوى التعرض للذبذبات طوال فترة العمل الإجمالية.

يجب الوضع في الاعتبار عند تقدير مستوى التعرض للذبذبات مرات إيقاف الجهاز أو تشغيله لكن دون استخدامه في القيام بمهمة. فقد يقلل ذلك بصورة كبيرة من مستوى التعرض للذبذبات طوال فترة العمل الإجمالية.

تعرف على معايير السلامة الإضافية لحماية المشغل من آثار الذبذبات مثل: صيانة الجهاز والملحقات، الحفاظ على دفء الأيدي، وتنظيم نماذج العمل.

تحذير أقرأ جميع تحذيرات السلامة وجميع التعليمات، بما فيها. قد يؤدي الفشل في مراعاة التحذيرات والتعليمات إلى التعرض للإصابة بصدمة كهربائية أو الحرق و/أو إصابة خطيرة.

احتفظ بجميع التنبيهات والتعليمات للرجوع إليها مستقبلاً.

قواعد السلامة العامة

تحذير

عند استعمال الآلات الكهربائية يجب أساساً مراعاة إجراءات الأمان التالية للوقاية من الصعقات الكهربائية وأخطار الإصابات والحروق. قم بقراءة جميع هذه التعليمات قبل

العربية

AEG

POWERTOOLS

www.aeg-powertools.eu

(12.16)

4931 4252 31



EAC

Techtronic Industries GmbH
Max-Eyth-Straße 10
71364 Winnenden
Germany