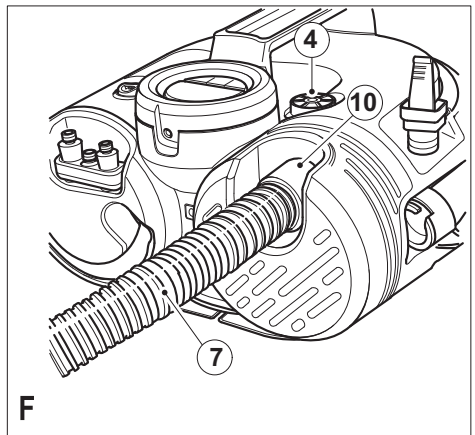
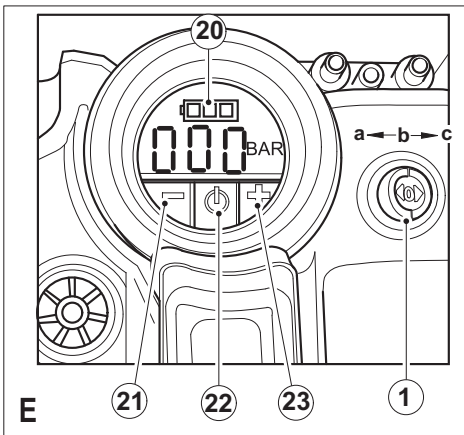
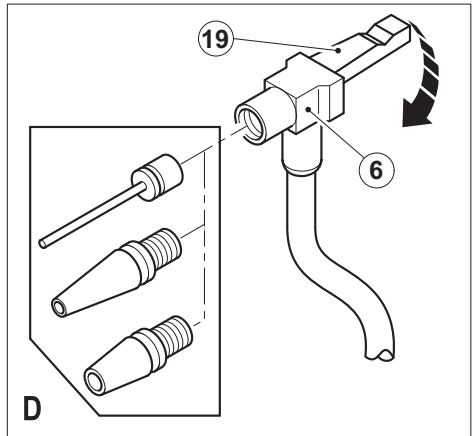
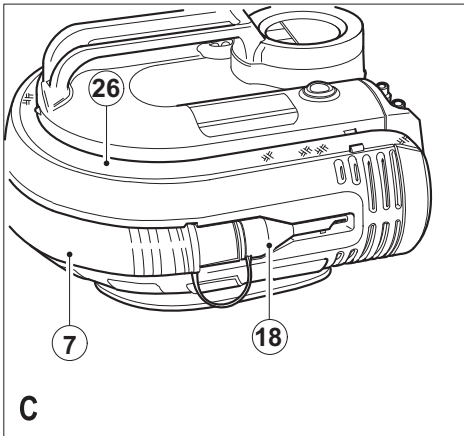
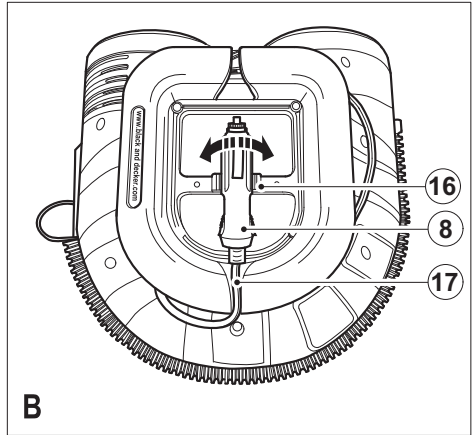
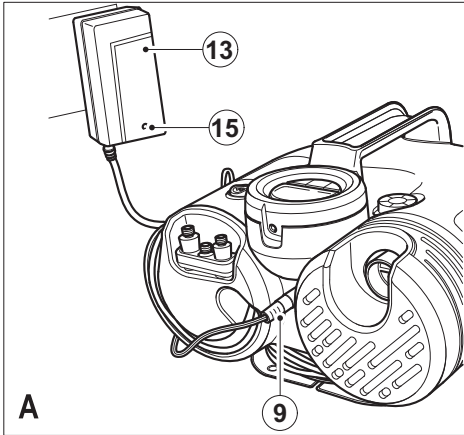
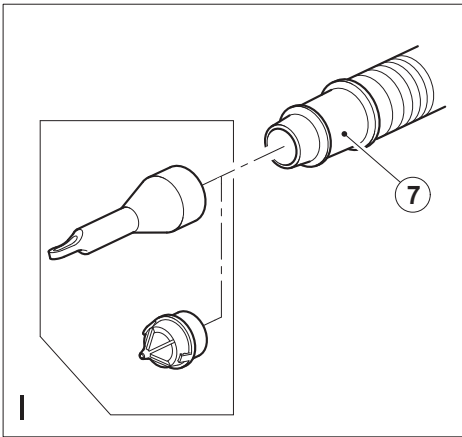
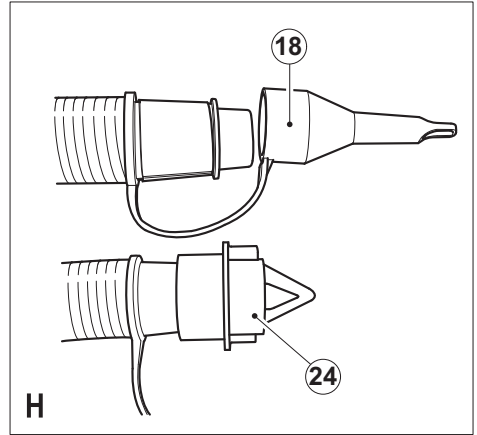
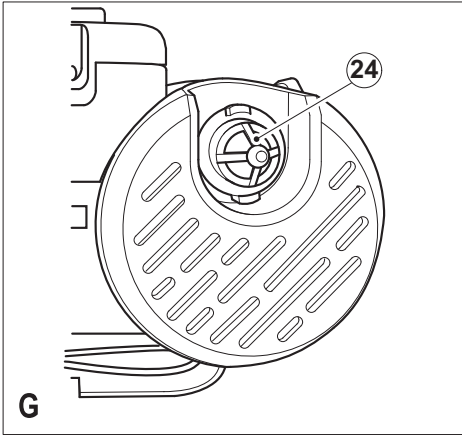


English (Original instructions)	5
Deutsch (Übersetzung der ursprünglichen Anweisungen)	11
Français (Traduction des instructions initiales)	18
Italiano (Traduzione del testo originale)	24
Nederlands (Vertaling van de originele instructies)	31
Español (Traducción de las instrucciones originales)	38
Português (Tradução das instruções originais)	45
Svenska (Översättning av originalanvisningarna)	52
Norsk (Oversettelse av de opprinnelige instruksjonene)	58
Dansk (Oversættelse af de oprindelige instruktioner)	64
Suomi (Alkuperäisten ohjeiden käännös)	70
Ελληνικά (Μετάφραση των πρωτότυπων οδηγιών)	76





Intended use

Your Black & Decker inflation station is designed to be used cordless or, in most vehicles, from the standard 12 Vdc socket, to inflate car and bike tyres, balls, rafts, air mattresses and swimming pool floats etc. This product is intended for household, consumer use only.

Safety instructions

Warning! When using battery-powered appliances, basic safety precautions, including the following, should always be followed to reduce the risk of fire, electric shock, personal injury and material damage.

- ◆ Read all of this manual carefully before using the appliance.
- ◆ The intended use is described in this manual.
- ◆ The use of any accessory or attachment or the performance of any operation with this appliance other than those recommended in this instruction manual may present a risk of personal injury.
- ◆ Retain this manual for future reference.

Using your appliance

- ◆ Always take care when using the appliance.
- ◆ Do not immerse the appliance in water.
- ◆ Do not open the body casing. There are no user serviceable parts inside.
- ◆ Do not operate the appliance in explosive atmospheres, such as in the presence of flammable liquids, gases or dust.
- ◆ To reduce the risk of damage to plugs and cords never pull the cable to remove the plug from a socket.

After use

- ◆ When not in use, the appliance should be stored in a dry, well ventilated place out of the reach of children.
- ◆ Children should not have access to stored appliances.
- ◆ When the appliance is stored or transported in a vehicle it should be placed in the boot or restrained to prevent movement following sudden changes in speed or direction.
- ◆ The appliance should be protected from direct sunlight, heat and moisture.

Inspection and repairs

- ◆ Before use, check the appliance for damaged or defective parts. Check for breakage of parts, damage to switches and any other conditions that may affect its operation.
- ◆ Do not use the appliance if any part is damaged or defective.
- ◆ Have any damaged or defective parts repaired or replaced by an authorised repair agent.

- ◆ Never attempt to remove or replace any parts other than those specified in this manual.

Additional safety instructions for inflators

- ◆ For home and car use only. Inflate car and bike tyres, balls, swimming pool floats and more in and around the home.
- ◆ The compressed air from your inflator is not safe for breathing. Never inhale air from your inflator or from a breathing device connected to the inflator.
- ◆ Inflate items only to their manufacturer's recommendations. Exceeding the pressure rating could cause them to explode resulting in personal injury.
- ◆ Do not leave inflator running unattended. It could burst tyres or other items.
- ◆ Since the vibration produced by the inflator may cause it to "walk", do not operate on a high shelf or other surface. Operate at ground or bench level only.
- ◆ Do not modify or attempt to repair. Never drill into, weld, or make any modifications to the inflator or its attachments.
- ◆ Do not operate the inflator when the engine is running.
- ◆ Operate only with the accessories included or those rated for 160 PSI / 11.03 BAR / 1103 KPA. or higher. The use of any accessory not recommended for use with this tool could be hazardous.
- ◆ Do not play with the tool. High pressure air is dangerous. Do not direct air-flow at yourself or others.
- ◆ The inflator can become hot during use. Allow inflator to cool for 30 minutes before storing away.
- ◆ Never carry the inflator by the hose.
- ◆ Do not direct the nozzle or hose at animals or bystanders
- ◆ Store the inflator out of reach of small children.
- ◆ The gauge is intended as a guide only. Tyre pressures should be regularly checked with a certified gauge.
- ◆ Before use, check the power supply cord for signs of damage, ageing and wear.
- ◆ Do not use the appliance if the power supply cord or mains plug is damaged or defective (where applicable).

Safety of others

- ◆ This appliance is not intended for use by persons (including children) with reduced physical, sensory or mental capabilities, or lack of experience and knowledge, unless they have been given supervision or instruction concerning use of the appliance by a person responsible for their safety.
- ◆ Children should be supervised to ensure that they do not play with the appliance.

Additional safety instructions for batteries and chargers

Batteries

- ◆ Never attempt to open for any reason.
- ◆ Do not expose the battery to water.
- ◆ Do not expose the battery to heat.
- ◆ Do not store in locations where the temperature may exceed 40°C.
- ◆ Charge only at ambient temperatures between 10°C and 40°C.
- ◆ Charge only using the charger provided with the appliance/tool.
- ◆ When disposing of batteries, follow the instructions given in the section "Protecting the environment".
- ◆ Do not damage/deform the battery pack either by puncture or impact, as this may create a risk of injury and fire.
- ◆ Do not charge damaged batteries.
- ◆ Under extreme conditions, battery leakage may occur. When you notice liquid on the batteries carefully wipe the liquid off using a cloth. Avoid skin contact.
- ◆ In case of skin or eye contact, follow the instructions below.

Warning! The battery fluid may cause personal injury or damage to property. In case of skin contact, immediately rinse with water. If redness, pain or irritation occurs seek medical attention. In case of eye contact, rinse immediately with clean water and seek medical attention.

Chargers

Your charger has been designed for a specific voltage. Always check that the mains voltage corresponds to the voltage on the rating plate.

Warning! Never attempt to replace the charger unit with a regular mains plug.

- ◆ Use your Black & Decker charger only to charge the battery in the appliance/tool with which it was supplied. Other batteries could burst, causing personal injury and damage.
- ◆ Never attempt to charge non-rechargeable batteries.
- ◆ If the supply cord is damaged, it must be replaced by the manufacturer or an authorised Black & Decker Service Centre in order to avoid a hazard.
- ◆ Do not expose the charger to water.
- ◆ Do not open the charger.
- ◆ Do not probe the charger.
- ◆ The appliance/tool/battery must be placed in a well ventilated area when charging.

Electrical safety



Your charger is double insulated; therefore no earth wire is required. Always check that the mains voltage corresponds to the voltage on the rating plate.

- ◆ If the supply cord is damaged, it must be replaced by the manufacturer or an authorised Black & Decker Service Centre in order to avoid a hazard.
- ◆ Never attempt to replace the charger unit with a regular mains plug.

Labels on tools

The following symbols are shown on the tool:



Read the instruction manual before using the inflator.



Do not expose the appliance to rain or high humidity.



Before performing maintenance or cleaning on the appliance, unplug the supply cord.



Do not leave the inflator unattended.

Features

1. Main power switch
2. LCD
3. Handle
4. High-volume pump deflate connection
5. Air hose with universal valve adaptor
6. Universal valve adapter
7. High-volume hose
8. 12 Vdc vehicle connector
9. Charger jack plug
10. High-volume pump inflate connection
11. Jack plug socket
12. LED light
13. Charger
14. Accessory storage

Fig. A

15. Charging LED

Before use (fig. A)

The internal battery must be recharged for 4 to 5 hours using the AC charger (13) provided.

- ◆ Insert the jack plug (9) into the jack plug socket (11) on the front of the unit.
- ◆ Plug the AC charger (13) into the mains power supply.
- ◆ The LED (15) on the AC charger (13) will indicate the level of charging. Red, unit charging, Green, unit charged.
- ◆ When fully charged, remove the AC charger from the mains and remove the jack plug from the unit.

Note: Store your AC charger in a safe place for later use.

Use**Hose and cord storage (fig. B - D)**

- ◆ Wrap the 12 Vdc cord (17) around the base of the unit and locate the 12 Vdc adapter (8) into its storage location (16) as shown in fig. B and then rotate through 90° to secure in place.
- ◆ The air hose (5) is located in a storage channel (26) around the top of the unit (fig. C), make sure the hose is snapped into the retaining clips and the lever (19) is in the up position (fig. D).
- ◆ The high-volume hose (7) is stored in a storage channel around the centre of the unit and snaps into position at both ends. The accessories (14) are stored on the front of the unit.

Fitting the accessories (fig. D, G - I)

Your inflator is supplied with the standard tapered nozzles and the needle inflator nozzle, these are stored on the front of the unit (14).

- ◆ To use the universal valve adaptor (6), make sure that the lever (19) is in the up position.
- ◆ Place the universal valve adapter (6) over the stem of the inflation needle or tapered nozzle (fig.D).
- ◆ Press the lever (19) on the universal valve adapter (6) down to lock it in place.
- ◆ Place the inflation needle or tapered nozzle into the item to be inflated.

Note: Always make sure that the lever is in the up position when not in use. Operate your inflator only with the universal valve adaptor or with the included nozzles.

Note: Make sure that the universal valve adapter is firmly locked in place before turning the inflator on.

Your inflator is supplied with a high volume adaptor (24). This is stored on the front of the unit (fig. G).

- ◆ To use the high volume adaptor (24), remove it from the high volume inflate connection (10).
- ◆ Remove the high volume hose (7) from the storage location.

- ◆ Remove the tapered nozzle (18) from the end of the high volume hose (7).
- ◆ Fit the high volume adaptor (24) to the end of the high volume hose (fig. H).

Many inflatables have an internal flap that prevents air loss during inflation, especially air mattresses. Unless this flap is displaced by the nozzle the inflatable will not inflate. Push the nozzle firmly into the valve to make sure that you push this flap out of the way.

Warning! Excessive air pressure may cause a hazardous risk of bursting or personal injury. Check the manufacturer's maximum pressure rating for items being inflated.

Note: If the pressure rating for the item being inflated is above 100 PSI / 6.89 BAR / 689 KPA, note that the maximum run time is 10 minutes, leave to rest for 20 minutes before re-use.

Operating the inflator (fig. E)

Warning! Do not operate the inflator when the car engine is running.

Note: Make sure that your 12 Vdc accessory socket is live. On some vehicles the accessory socket may only become live when the ignition key is in the accessory position.

To power the display from the 12 Vdc adapter:

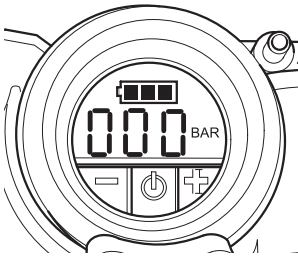
- ◆ Always fully extend the 12 Vdc cord before each use.
- ◆ Connect the 12 Vdc adapter (8) into your vehicles 12 Vdc accessory socket.
- ◆ Switch the main power switch (1) to the inflate position (c) to power-up the LCD.

To power the LCD from the internal battery (cordless operation):

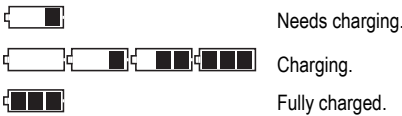
- ◆ Switch the main power switch (1) to the inflate position (c) to power up the LCD.

Warning! Do not leave the inflator running unattended. It could burst tyres or other items.

Setting the required pressure (fig.E)



Note: The LCD will only display inflation pressures when the inflator is being used. Battery status will always be shown.



Note: You must set the automatic shut-off feature before the unit will operate (inflation mode only).

- ◆ To switch between the different units (PSI, BAR or KPA), press - & + buttons (21, 23) together until the required units are displayed.
- ◆ Press and hold either of the - & + buttons (21, 23) for 3 seconds until the display flashes.
- ◆ While the display is flashing press the - or + buttons (21, 23) until the required pressure is displayed.
- ◆ After 3 seconds the display will flash and return to a reading of "0.0 PSI / 0.00 BAR / 0 KPA". This is normal.
- ◆ Connect the universal valve adaptor (6) and an accessory, if required, to the item to be inflated, making sure that the lever (19) of the valve adaptor is in the down position to lock it in place.

Note: Make sure that the universal valve adaptor is correctly fitted to the item to be inflated.

- ◆ To start the inflator press the power button (22) on the LCD.
- ◆ When the item to be inflated has reached the preset value the unit will automatically stop.

Note: You may notice the actual pressure reading may drop after a couple of seconds, this is normal.

- ◆ To stop the inflator at any time press the power button on (22) the LCD.
- ◆ Remove the valve adaptor or accessory from the inflated item and the 12 Vdc adapter (6) from your vehicle's 12 Vdc accessory socket.
- ◆ Turn the main power switch (1) to the off position (b).

Note: If the main power switch is turned off, all settings will be lost and will need to be re-entered following the instructions under the heading 'Setting the required pressure'. This is a safety feature to prevent the risk of items OVER INFLATING.

Using the inflator as a pressure gauge

- ◆ Switch the main power switch (1) to the inflate position (c fig. E).
- ◆ Connect the universal valve adaptor (6) to the item to be checked.
- ◆ The LCD will display the items pressure.
- ◆ After checking, turn the main power switch (1) off and return the air hose to the storage location.

Operating the high-volume pump

Note: Do not operate the pump when the vehicle's engine is running.

Note: Make sure that your 12 Vdc accessory socket is live. On some vehicles the accessory socket may only become live when the ignition key is in the accessory position.

To inflate using the high-volume pump (i.e air mattresses, rafts, swimming pool floats):

Note: The pump mode DOES NOT have an auto shut-off feature.

- ◆ Switch the main power switch(1) to the pump position (a, fig. E).
- ◆ Remove the high-volume hose (7) from the storage channel around the centre of the unit and connect it to the high-volume pump inflate connection (10) (fig. F).
- ◆ Insert the hose (with accessories if required) to the item to be inflated.
- ◆ To start the pump press the power switch (22) on the LCD.
- ◆ When the item is inflated as required or to stop the pump at any time press the power switch (22) on the LCD.
- ◆ Remove the hose from the item and store it on the unit.
- ◆ Turn the main power switch (1) to the off position (b fig. E).

To deflate using the high-volume pump (i.e air mattresses, rafts, swimming pool floats):

Note: The pump mode DOES NOT have an auto shut-off feature.

- ◆ Switch the main power switch (1) to the pump position (a fig. E).
- ◆ Remove the high-volume hose (7) from the storage channel around the centre of the unit and connect it to the high-volume pump deflate connection (4) (fig. F).
- ◆ Insert the hose (with accessories if required) into the item to be deflated.
- ◆ To start the pump press the power switch (22) on the LCD.

- ◆ When the item is deflated or to stop the pump at any time press the power switch (22) on the LCD.
- ◆ Remove the high-volume hose ((7) from the item and store it in the storage channel around the centre of the unit.
- ◆ Turn the main power switch (1) to the off position (b fig. E).

Operating the LED light

To switch on the LED light (12):

- ◆ Switch the main power switch (1) to the inflate (c fig. E) or the pump (a fig. E) position.
- ◆ Press either of the - or + buttons (21, 23) on the LCD (2) to turn the LED light (12) on.

To switch the LED light (12) off:

- ◆ Press either of the - or + buttons (21, 23) again.
- ◆ Turn the main power (1) switch to off.

Sleep mode to preserve battery life

The unit is fitted with a sleep mode function that will help prolong the life of the internal battery.

If the unit is left on and unused for more than two minutes the unit will switch into sleep mode.

- ◆ To power the unit again either switch the main power switch (1) on and off or press any button on the LCD (2).

Note: After sleep mode, all settings will be lost and will need to be re-entered following the instructions under the heading 'Setting the required pressure'.

Maintenance

Your Black & Decker corded/cordless appliance/tool has been designed to operate over a long period of time with a minimum of maintenance. Continuous satisfactory operation depends upon proper appliance/tool care and regular cleaning.

Warning! Before performing any maintenance on corded/cordless appliance/tool:

- ◆ Switch off and unplug the appliance/tool.
- ◆ Or switch off and remove the battery from the appliance/tool if the appliance/tool has a separate battery pack.
- ◆ Unplug the charger before cleaning it. Your charger does not require any maintenance apart from regular cleaning.
- ◆ Regularly clean the ventilation slots in your appliance/tool/charger using a soft brush or dry cloth.
- ◆ Regularly clean the housing using a damp cloth. Do not use any abrasive or solvent-based cleaner.
- ◆ Regularly open the chuck and tap it to remove any dust from the interior (when fitted).

Troubleshooting

Problem	Possible cause	Possible solution
Inflator will not operate.	Internal battery fault.	Recharge the battery.
	12 Vdc adapter not connected.	Connect the 12 Vdc adapter.
	Accessory socket not live.	Turn key to accessory position
	Main ON/OFF switch not in correct position.	Turn main switch to required position.
	No preset value set.	Set preset value.
Will not inflate.	The fuse in the 12 Vdc adapter is blown.	Replace the fuse with one of the same size and type (8A/250V).
	Cord or switch is damaged.	Have the cord or switch replaced at a Black & Decker Service Centre or Authorised Service Centre.
LCD not illuminated.	Incorrect mode selected.	Select correct mode.
	Unit in sleep mode.	Press any button on LCD or the main on/off switch.

Replacing the fuse in the vehicle dc accessory plug

- ◆ Remove the cap by turning it counter-clockwise.
- ◆ Remove the cap and centre pin.
- ◆ Remove the fuse.
- ◆ Fit a new fuse of the same type and size (8A/250V).
- ◆ Refit the cap and centre pin.
- ◆ Tighten the cap by turning clockwise onto the plug.

Protecting the environment



Separate collection. This product must not be disposed of with normal household waste.

Should you find one day that your Black & Decker product needs replacement, or if it is of no further use to you, do not dispose of it with household waste. Make this product available for separate collection.



Separate collection of used products and packaging allows materials to be recycled and used again. Re-use of recycled materials helps prevent environmental pollution and reduces the demand for raw materials.

Local regulations may provide for separate collection of electrical products from the household, at municipal waste sites or by the retailer when you purchase a new product.

Black & Decker provides a facility for the collection and recycling of Black & Decker products once they have reached the end of their working life. To take advantage of this service please return your product to any authorised repair agent who will collect them on our behalf.

You can check the location of your nearest authorised repair agent by contacting your local Black & Decker office at the address indicated in this manual. Alternatively, a list of authorised Black & Decker repair agents and full details of our after-sales service and contacts are available on the Internet at: www.2helpU.com.

Technical data

ASI500 H1	
Input voltage	Vdc 12
Input current	A 8
SLA (sealed led acid)	Ah 3.2
Pressure (max)	PSI / BAR / KPA 160 / 11.03 / 1103
Weight	kg 3.03

Charger	
Input	Vac 230
Output	Vdc 12
Output current	A 1

Guarantee

Black & Decker is confident of the quality of its products and offers an outstanding guarantee. This guarantee statement is in addition to and in no way prejudices your statutory rights. The guarantee is valid within the territories of the Member States of the European Union and the European Free Trade Area.

If a Black & Decker product becomes defective due to faulty materials, workmanship or lack of conformity, within 24 months from the date of purchase, Black & Decker guarantees to replace defective parts, repair products subjected to fair wear and tear or replace such products to make sure of the minimum inconvenience to the customer unless:

- ◆ The product has been used for trade, professional or hire purposes.
- ◆ The product has been subjected to misuse or neglect.
- ◆ The product has sustained damage through foreign objects, substances or accidents.
- ◆ Repairs have been attempted by persons other than authorised repair agents or Black & Decker service staff.

To claim on the guarantee, you will need to submit proof of purchase to the seller or an authorised repair agent. You can check the location of your nearest authorised repair agent by contacting your local Black & Decker office at the address indicated in this manual. Alternatively, a list of authorised Black & Decker repair agents and full details of our after-sales service and contacts are available on the Internet at:

www.2helpU.com

Please visit our website www.blackanddecker.co.uk to register your new Black & Decker product and to be kept up to date on new products and special offers. Further information on the Black & Decker brand and our range of products is available at www.blackanddecker.co.uk.

Bestimmungsgemäße Verwendung

Ihr Black & Decker Kompressor wurde zum Aufpumpen von Auto- und Fahrradreifen, Bällen, Schlauchbooten, Luftmatratzen, Schwimmkörpern usw. entwickelt, entweder im kabellosen Betrieb oder mithilfe der in den meisten Fahrzeugen vorhandenen normalen 12-Volt-Gleichspannungsbuchse. Dieses Gerät ist nicht für den gewerblichen Einsatz vorgesehen.

Sicherheitshinweise

Achtung! Beachten Sie beim Umgang mit akkubetriebenen Geräten stets die grundlegenden Sicherheitshinweise, die im Folgenden beschrieben werden. Dadurch verhindern Sie Brände, Stromschläge sowie Sach- und Personenschäden.

- ◆ Lesen Sie diese Anleitung vollständig und aufmerksam durch, bevor Sie das Gerät zum ersten Mal verwenden.
- ◆ Der vorgesehene Verwendungszweck ist in dieser Anleitung beschrieben.
- ◆ Bei Verwendung von Zubehör oder Anbauteilen, die nicht in dieser Anleitung empfohlen werden, sowie bei der Verwendung des Geräts in Abweichung von den in dieser Anleitung beschriebenen Verfahren besteht Verletzungsgefahr.
- ◆ Bewahren Sie diese Anleitung auf.

Verwendung des Geräts

- ◆ Verwenden Sie das Gerät stets mit Umsicht.
- ◆ Tauchen Sie das Gerät nicht in Wasser.
- ◆ Versuchen Sie nicht, das Gehäuse zu öffnen. Im Inneren befinden sich keine zu wartenden Teile.
- ◆ Betreiben Sie das Gerät nicht in explosionsgefährdeter Umgebung, in der sich brennbare Flüssigkeiten, Gase oder Staub befinden.
- ◆ Ziehen Sie niemals am Kabel, wenn Sie den Stecker aus der Steckdose ziehen möchten. Kabel und Stecker könnten sonst beschädigt werden.

Nach dem Gebrauch

- ◆ Bewahren Sie das Gerät bei Nichtgebrauch an einem trockenen, gut belüfteten Ort außerhalb der Reichweite von Kindern auf.
- ◆ Kinder sollten keinen Zugang zu aufbewahrten Geräten haben.
- ◆ Wenn das Gerät in einem Fahrzeug transportiert oder gelagert wird, bewahren Sie es im Kofferraum oder einer geeigneten Ablage auf, damit es bei plötzlichen Geschwindigkeits- oder Richtungsänderungen nicht in Bewegung geraten kann.
- ◆ Schützen Sie das Gerät vor direkter Sonneneinstrahlung, Hitze und Feuchtigkeit.

Inspektion und Reparaturen

- ◆ Prüfen Sie das Gerät vor der Verwendung auf beschädigte oder defekte Teile. Prüfen Sie, ob Teile gebrochen sind, Schalter beschädigt sind oder andere Bedingungen vorliegen, die die Funktion beeinträchtigen könnten.
- ◆ Betreiben Sie das Gerät nicht, wenn ein Teil beschädigt oder defekt ist.
- ◆ Lassen Sie beschädigte oder defekte Teile in einer Vertragswerkstatt reparieren oder austauschen.
- ◆ Ersetzen oder entfernen Sie keine Teile, für die in dieser Anleitung keine entsprechende Beschreibung enthalten ist.

Zusätzliche Sicherheitshinweise für Kompressoren

- ◆ Nur für den Gebrauch im Heim- und Fahrzeugbereich. Zum Aufpumpen von Auto- und Fahrradreifen, Bällen, Schwimmkörpern usw. in und rund um das Heim.
- ◆ Die Druckluft aus dem Kompressor darf nicht eingeatmet werden. Inhalieren Sie niemals die Luft aus dem Kompressor oder einem am Kompressor befestigten Atmungsgerät.
- ◆ Folgen Sie beim Aufpumpen von Gegenständen immer den jeweiligen Empfehlungen der Hersteller. Das Überschreiten der zugelassenen Luftdruckwerte kann zu Explodieren der Gegenstände und somit zu Verletzungen führen.
- ◆ Lassen Sie den Kompressor nicht unbeaufsichtigt. Reifen bzw. andere aufblasbare Gegenstände könnten platzen.
- ◆ Bei Betrieb vibriert der Kompressor und kann sich „bewegen“. Platzieren Sie ihn daher niemals auf einer hohen Ablage. Betreiben Sie das Gerät nur auf Boden- oder Werkbankhöhe.
- ◆ Der Kompressor darf nicht selbständig repariert oder in sonstiger Weise verändert werden. Nehmen Sie keine Bohrungen, Verschweißungen oder andere Änderungen am Kompressor oder an den Aufsätzen vor.
- ◆ Betreiben Sie den Kompressor nicht bei laufendem Motor.
- ◆ Betreiben Sie das Gerät nur mit den gelieferten Zubehörteilen oder solchen, die für einen Druck bis mindestens 160 psi/11,03 bar/1103 kPa entwickelt wurden. Die Verwendung von Zubehörteilen, die nicht für den Gebrauch mit dem Gerät empfohlen werden, kann gefährlich sein.
- ◆ Spielen Sie nicht mit dem Gerät. Hohe Druckluft ist gefährlich. Richten Sie den Luftstrom niemals auf sich selbst oder andere Personen.

- ◆ Der Kompressor kann während des Betriebs heiß werden. Lassen Sie den Kompressor nach Gebrauch 30 Minuten abkühlen, bevor Sie ihn verstauen.
- ◆ Tragen Sie den Kompressor niemals am Schlauch.
- ◆ Richten Sie Aufblasstutzen und -schlauch niemals auf Personen oder Tiere.
- ◆ Bewahren Sie den Kompressor außerhalb der Reichweite von Kindern auf.
- ◆ Die Druckanzeige zeigt nur einen ungefähren Wert an. Der Reifendruck sollte regelmäßig mit einem speziellen Messgerät geprüft werden.
- ◆ Prüfen Sie vor der Inbetriebnahme das Netzkabel auf Beschädigungen und Verschleiß.
- ◆ Nehmen Sie das Gerät nicht in Betrieb, wenn das Netzkabel oder der Netzstecker beschädigt oder defekt ist.

Sicherheit anderer Personen

- ◆ Dieses Gerät darf nicht von Personen (einschließlich Kindern) mit eingeschränkten körperlichen, sensorischen oder geistigen Fähigkeiten sowie mangelnder Erfahrung und Wissen in Bezug auf dessen Gebrauch bedient werden, es sei denn, sie werden bei der Verwendung des Geräts von einer erfahrenen Person beaufsichtigt oder angeleitet.
- ◆ Kinder müssen beaufsichtigt werden, um sicherzustellen, dass sie nicht mit dem Gerät spielen.

Zusätzliche Sicherheitshinweise für Akkus und Ladegeräte

Akkus

- ◆ Auf keinen Fall öffnen.
- ◆ Achten Sie darauf, dass der Akku nicht mit Wasser in Berührung kommt.
- ◆ Setzen Sie den Akku keinen hohen Temperaturen aus.
- ◆ Nicht bei Temperaturen über 40°C lagern.
- ◆ Laden Sie den Akku ausschließlich bei Umgebungstemperaturen zwischen 10°C und 40°C.
- ◆ Verwenden Sie ausschließlich das mit dem Gerät gelieferte Ladegerät.
- ◆ Bei der Entsorgung von Akkus die Hinweise im Abschnitt „Umweltschutz“ beachten.
- ◆ Der Akku darf nicht durch mechanische Krafteinwirkung oder Belastungen beschädigt oder verformt werden. Andernfalls besteht Verletzungs- und Brandgefahr.
- ◆ Laden Sie beschädigte Akkus nicht auf.
- ◆ Unter extremen Bedingungen können Akkus undicht werden. Wenn Sie feststellen, dass aus dem Akku Flüssigkeit austritt, wischen Sie diese vorsichtig mit einem Tuch ab. Vermeiden Sie Hautkontakt.
- ◆ Beachten Sie nach Haut- oder Augenkontakt die folgenden Hinweise.

Achtung! Batteriesäure kann Sach- oder Personenschäden verursachen. Spülen Sie die Säure nach Hautkontakt sofort mit Wasser ab. Suchen Sie einen Arzt auf, wenn sich auf der Haut Rötungen, Reizungen oder andere Irritationen zeigen. Spülen Sie das Auge nach Augenkontakt sofort mit sauberem Wasser aus, und suchen Sie einen Arzt auf.

Ladegeräte

Das Ladegerät ist für eine bestimmte Spannung ausgelegt. Stellen Sie sicher, dass die Netzspannung der auf dem Typenschild des Geräts angegebenen Spannung entspricht.

Achtung! Ersetzen Sie das Ladegerät keinesfalls durch ein normales Netzkabel.

- ◆ Verwenden Sie das Black & Decker Ladegerät nur für den Akku des Geräts, mit dem es geliefert wurde. Andere Akkus könnten platzen und Sachschäden oder Verletzungen verursachen.
- ◆ Versuchen Sie keinesfalls, nicht aufladbare Batterien zu laden.
- ◆ Ist das Netzkabel beschädigt, muss es durch den Hersteller oder eine Black & Decker Vertragswerkstatt ausgetauscht werden, um eine mögliche Gefährdung zu vermeiden.
- ◆ Achten Sie darauf, dass das Ladegerät nicht mit Wasser in Berührung kommt.
- ◆ Versuchen Sie nicht, das Ladegerät zu öffnen.
- ◆ Nehmen Sie am Ladegerät keine Veränderungen vor.
- ◆ Während das Gerät/der Akku geladen wird, muss auf ausreichende Belüftung geachtet werden.

Elektrische Sicherheit



Das Ladegerät ist schutzisoliert, daher ist keine Erdleitung erforderlich. Stellen Sie sicher, dass die Netzspannung der auf dem Typenschild des Geräts angegebenen Spannung entspricht.

- ◆ Ist das Netzkabel beschädigt, muss es durch den Hersteller oder eine Black & Decker Vertragswerkstatt ausgetauscht werden, um eine mögliche Gefährdung zu vermeiden.
- ◆ Ersetzen Sie das Ladegerät keinesfalls durch ein normales Netzkabel.

Warnsymbole am Gerät

Am Gerät sind folgende Warnsymbole angebracht:



Lesen Sie vor dem Gebrauch des Kompressors die Anleitung.



Schützen Sie das Gerät vor Feuchtigkeit und Regen.



Ziehen Sie das Netzkabel aus der Steckdose, bevor Sie mit Wartungs- oder Reinigungsarbeiten am Gerät beginnen.



Lassen Sie den Kompressor niemals unbeaufsichtigt.

Merkmale

1. Ein-/Ausschalter
2. LCD-Anzeige
3. Handgriff
4. Hochvolumiger Pumpenanschluss zum Luftablassen
5. Luftschlauch mit Universalventiladapter
6. Universalventiladapter
7. Hochvolumiger Schlauch
8. 12-Volt-Gleichspannungs-Kfz-Anschluss
9. Stecker des Ladegeräts/des Ladeadapters
10. Hochvolumiger Pumpenanschluss zum Aufpumpen
11. Ladebuchse
12. LED-Leuchte
13. Ladegerät
14. Zubehörfach

Abb. A

15. LED-Ladeanzeige

Vor der Verwendung (Abb. A)

Der integrierte Akku muss 4 bis 5 Stunden mithilfe des mitgelieferten Wechselstrom-Ladegeräts (13) geladen werden.

- ◆ Stecken Sie den Stecker des Ladeadapters (9) in die Ladebuchse (11) an der Vorderseite des Geräts.
- ◆ Stecken Sie das Wechselstrom-Ladegerät (13) in die Netzsteckdose.
- ◆ Die LED (15) am Wechselstrom-Ladegerät (13) zeigt den Ladestand an. (Rot: Gerät wird geladen, Grün: Gerät geladen).
- ◆ Wenn der Akku vollständig geladen ist, trennen Sie das Wechselstrom-Ladegerät von der Steckdose, und ziehen Sie den Stecker des Ladeadapters aus dem Gerät.

Hinweis: Verstauen Sie das Wechselstrom-Ladegerät zur späteren Verwendung an einem sicheren Ort.

Gebrauch

Aufbewahrungsfach für Schlauch und Kabel (Abb. B - D)

- ◆ Wickeln Sie das 12-Volt-Gleichspannungskabel (17) um die Unterseite des Geräts, und platzieren Sie den 12-Volt-Gleichspannungsadapter (8) im Aufbewahrungsfach (16), wie in Abb. B dargestellt. Drehen Sie den Adapter anschließend um 90°, um ihn einrasten zu lassen.

- ◆ Der Luftschlauch (5) befindet sich in einem Aufbewahrungsschacht (26) an der Oberseite des Geräts (Abb. C). Vergewissern Sie sich, dass der Schlauch in die Halteklammern eingerastet ist und sich der Hebel (19) in der aufrechten Stellung befindet (Abb. D).
- ◆ Der hochvolumige Schlauch (7) ist in einem Aufbewahrungsschacht in der Mitte des Geräts untergebracht und rastet an beiden Enden ein. Das Zubehör (14) ist an der Vorderseite des Geräts untergebracht.

Anbringen des Zubehörs (Abb. D, G - I)

Ihr Kompressor wird mit den kegelförmigen Standardstutzen und einem Nadelstutzen (14) geliefert. Diese befinden sich an der Vorderseite des Geräts (14).

- ◆ Stellen Sie bei der Verwendung des Universalventiladapters (6) sicher, dass sich der Hebel (19) in der aufrechten Stellung befindet.
- ◆ Stülpen Sie den Universalventiladapter (6) über den Nadelstutzen oder den kegelförmigen Stutzen (Abb. D).
- ◆ Drücken Sie den Hebel (19) am Universalventiladapter (6) herunter, bis der Adapter eingerastet ist.
- ◆ Stecken Sie den Nadelstutzen oder den kegelförmigen Stutzen in das aufzublasende Objekt.

Hinweis: Stellen Sie stets sicher, dass sich der Hebel in der aufrechten Stellung befindet, wenn das Gerät nicht verwendet wird. Betreiben Sie den Kompressor nur mit dem Universalventiladapter oder den mitgelieferten Stutzen.

Hinweis: Stellen Sie sicher, dass der Universalventiladapter vor dem Einschalten des Kompressors fest eingerastet ist.

Ihr Kompressor wird mit einem Hochvolumenadapter (24) geliefert. Dieser ist an der Vorderseite des Geräts untergebracht (Abb. G).

- ◆ Zum Verwenden des Hochvolumenadapters (24) entfernen Sie diesen vom hochvolumigen Anschluss zum Aufpumpen (10).
- ◆ Nehmen Sie den hochvolumigen Schlauch (7) aus dem Aufbewahrungsfach.
- ◆ Entfernen Sie den kegelförmigen Stutzen (18) vom Ende des hochvolumigen Schlauchs (7).
- ◆ Bringen Sie den Hochvolumenadapter (24) am Ende des hochvolumigen Schlauchs an (Abb. H).

Viele aufblasbare Gegenstände, insbesondere Luftmatratzen, verfügen über eine eingebaute Ventilklappe, die das Austreten von Luft während des Aufpumpens verhindert. Wenn diese Klappe nicht durch einen Stutzen weggedrückt wird, kann dieser Gegenstand nicht aufgeblasen werden. Drücken Sie den Stutzen fest in das Ventil, damit die Ventilklappe weggedrückt wird.

Achtung! Zu hoher Luftdruck kann zum Platzen von Objekten und Personenschäden führen. Prüfen Sie die vom Hersteller für die aufzublasenden Gegenstände zugelassenen Druckluftwerte.

Hinweis: Beachten Sie bei Gegenständen mit einem Luftdruckwert über 100 psi/6,89 bar/689 kPa, dass die maximale Betriebsdauer des Kompressors bei 10 Minuten liegt. Warten Sie vor der erneuten Verwendung 20 Minuten.

Betreiben des Kompressors (Abb. E)

Achtung! Betreiben Sie den Kompressor nicht bei laufendem Automotor.

Hinweis: Vergewissern Sie sich, dass am 12-Volt-Gleichspannungsanschluss Spannung anliegt. Bei einigen Fahrzeugen kann der Anschluss nur verwendet werden, wenn sich das Zündschloss in der Stellung befindet, in der elektrische Verbraucher mit Strom versorgt werden.

So versorgen Sie die Anzeige über den 12-Volt-Gleichspannungsadapter mit Strom:

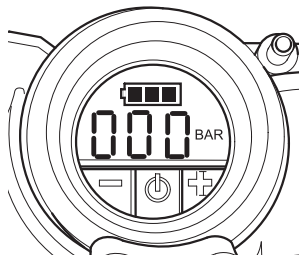
- ◆ Wickeln Sie das 12-Volt-Gleichspannungskabel vor jedem Gebrauch vollständig ab.
- ◆ Schließen Sie den 12-Volt-Gleichspannungsadapter (8) an den 12-Volt-Gleichspannungsanschluss Ihres Fahrzeugs an.
- ◆ Stellen Sie den Ein-/Ausschalter (1) in die Stellung zum Aufpumpen (c), um die LCD-Anzeige mit Strom zu versorgen.

So betreiben Sie die LCD-Anzeige über den integrierten Akku (kabelloser Betrieb):

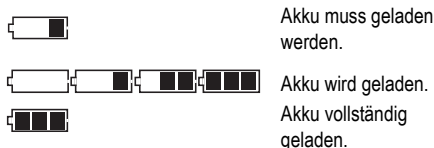
- ◆ Stellen Sie den Ein-/Ausschalter (1) in die Stellung zum Aufpumpen (c), um die LCD-Anzeige mit Strom zu versorgen.

Achtung! Lassen Sie den Kompressor während des Betriebs nicht unbeaufsichtigt. Reifen bzw. andere aufblasbare Gegenstände könnten platzen.

Festlegen des erforderlichen Drucks (Abb. E)



Hinweis: Der Aufpumpdruck wird nur auf der LCD-Anzeige angezeigt, wenn der Kompressor in Betrieb ist. Der Akkustatus wird immer angezeigt.



Hinweis: Sie müssen die automatische Abschaltung aktivieren, bevor Sie das Gerät betreiben können (nur im Aufpumpmodus).

- ◆ Drücken Sie die Tasten - und + (21, 23) gleichzeitig, um die Druckeinheit (psi, bar oder kPa) zu ändern, bis die erforderliche Einheit angezeigt wird.
- ◆ Halten Sie die entweder die Taste - oder die Taste + (21, 23) drei Sekunden gedrückt, bis die Anzeige blinkt.
- ◆ Drücken Sie während die Anzeige blinkt die Taste - oder + (21, 23), bis der erforderliche Druck angezeigt wird.
- ◆ Nach 3 Sekunden blinkt die Anzeige und zeigt erneut den Wert „0,0 PSI / 0,00 BAR / 0 KPA“ an. Dies entspricht dem normalen Betrieb.
- ◆ Bringen Sie den Universalventiladapter (6) und ggf. das gewünschte Zubehör am aufzublasenden Gegenstand an, und stellen Sie sicher, dass sich der Hebel des Ventiladapters (19) in der unteren Stellung befindet, um diesen zu sichern.

Hinweis: Stellen Sie sicher, dass der Universalventiladapter ordnungsgemäß am aufzupumpenden Gegenstand angebracht ist.

- ◆ Drücken Sie zum Einschalten des Kompressors die Ein-/Austaste (22) auf der LCD-Anzeige.
- ◆ Das Gerät wird automatisch ausgeschaltet, wenn der aufzublasende Gegenstand den voreingestellten Druck erreicht hat.

Hinweis: Möglicherweise fällt der tatsächlich angezeigte Druckwert nach einigen Sekunden ab, dies entspricht jedoch dem Normalbetrieb.

- ◆ Zum Ausschalten des Kompressors können Sie jederzeit die Ein-/Austaste (22) auf der LCD-Anzeige drücken.
- ◆ Entfernen Sie den Ventiladapter bzw. das Zubehör vom aufzublasenden Gegenstand, und trennen Sie den 12-Volt-Gleichspannungsadapter (6) vom 12-Volt-Gleichspannungsanschluss des Fahrzeugs.
- ◆ Drehen Sie den Ein-/Ausschalter (1) in die Stellung „Aus“ (b).

Hinweis: Wenn sich der Ein-/Ausschalter in der Stellung „Aus“ befindet, werden alle Einstellungen gelöscht und müssen mithilfe der Anweisungen im Abschnitt „Festlegen des erforderlichen Drucks“ erneut vorgenommen werden. Dieses Sicherheitsmerkmal soll ein ZU STARKES AUFPUMPEN von Gegenständen verhindern.

Verwenden des Kompressors als Druckanzeige

- ◆ Stellen Sie den Ein-/Ausschalter (1) in die Stellung zum Aufpumpen (c Abb. E).
- ◆ Schließen Sie den Universalventiladapter (6) an den zu prüfenden Gegenstand an.
- ◆ Auf der LCD-Anzeige wird der Druck des Gegenstands angezeigt.
- ◆ Stellen Sie den Ein-/Ausschalter (1) in die Stellung „Aus“, und verstauen Sie den Luftschlauch wieder im Aufbewahrungsfach.

Betrieb der Hochvolumenpumpe

Hinweis: Betreiben Sie die Pumpe nicht bei laufendem Fahrzeugmotor.

Hinweis: Vergewissern Sie sich, dass am 12-Volt-Gleichspannungsanschluss Spannung anliegt. Bei einigen Fahrzeugen kann der Anschluss nur verwendet werden, wenn sich das Zündschloss in der Stellung befindet, in der elektrische Verbraucher mit Strom versorgt werden.

So verwenden Sie die Hochvolumenpumpe zum Aufpumpen (z. B. für Luftmatratzen, Schlauchboote und Schwimmkörper)

Hinweis: Im Pumpenmodus GIBT ES KEINE automatische Abschaltung.

- ◆ Stellen Sie den Ein-/Ausschalter (1) in die Stellung zum Pumpen (a, Abb. E).
- ◆ Ziehen Sie den hochvolumigen Schlauch (7) aus dem Aufbewahrungsschacht in der Mitte des Geräts, und schließen Sie ihn am hochvolumigen Pumpenanschluss zum Aufpumpen (10) (Abb. F) an.
- ◆ Schließen Sie den Schlauch (ggf. mit dem erforderlichen Zubehör) an den aufzupumpenden Gegenstand an.

- ◆ Drücken Sie zum Einschalten der Pumpe die Ein-/Austaste (22) auf der LCD-Anzeige.
- ◆ Wenn der Gegenstand wie gewünscht aufgepumpt ist, können Sie die Pumpe jederzeit ausschalten, indem Sie die Ein-/Austaste (22) auf der LCD-Anzeige drücken.
- ◆ Ziehen Sie den Schlauch vom Gegenstand ab, und verstauen Sie ihn im Gerät.
- ◆ Stellen Sie den Ein-/Ausschalter (1) in die Stellung „Aus“ (b Abb. E).

So verwenden Sie die Hochvolumenpumpe zum Luftablassen (z. B. für Luftmatratzen, Schlauchboote und Schwimmkörper)

Hinweis: Im Pumpenmodus GIBT ES KEINE automatische Abschaltung.

- ◆ Stellen Sie den Ein-/Ausschalter (1) in die Stellung zum Pumpen (a Abb. E).
- ◆ Ziehen Sie den hochvolumigen Schlauch (7) aus dem Aufbewahrungsschacht in der Mitte des Geräts, und schließen Sie ihn am hochvolumigen Pumpenanschluss zum Abpumpen (4) (Abb. F) an.
- ◆ Schließen Sie den Schlauch (ggf. mit dem erforderlichen Zubehör) an den abzupumpenden Gegenstand an.
- ◆ Drücken Sie zum Einschalten der Pumpe den Ein-/Ausschalter (22) auf der LCD-Anzeige.
- ◆ Wenn der Gegenstand wie gewünscht abgepumpt ist, können Sie die Pumpe jederzeit ausschalten, indem Sie den Ein-/Ausschalter (22) auf der LCD-Anzeige drücken.
- ◆ Ziehen Sie den hochvolumigen Schlauch (7) vom Gegenstand ab, und verstauen Sie diesen im Aufbewahrungsschacht in der Mitte des Geräts.
- ◆ Stellen Sie den Ein-/Ausschalter (1) in die Stellung „Aus“ (b Abb. E).

Betrieb der LED-Beleuchtung

So schalten Sie die LED-Leuchte (12) ein

- ◆ Stellen Sie den Ein-/Ausschalter (1) in die Stellung zum Aufpumpen (c Abb. E) oder zum Pumpen (a Abb. E).
- ◆ Drücken Sie die Tasten - oder + (21, 23) auf der LCD-Anzeige (2), um die LED-Leuchte (12) einzuschalten.

So schalten Sie die LED-Leuchte (12) aus

- ◆ Drücken Sie die Taste - oder + (21, 23) erneut.
- ◆ Stellen Sie den Ein-/Ausschalter (1) in die Stellung „Aus“.

Energiesparmodus

Das Gerät verfügt über einen Energiesparmodus, um die Lebensdauer des integrierten Akkus zu verlängern.

Wenn Sie das eingeschaltete Gerät mehr als zwei Minuten nicht verwenden, wird der Energiesparmodus aktiviert.

- ◆ Schalten Sie das Gerät mithilfe des Ein-/Ausschalters (1) ein und aus, oder drücken Sie eine beliebige Taste auf der LCD-Anzeige (2), um den Energiesparmodus zu beenden.

Hinweis: Nach dem Beenden des Energiesparmodus werden alle Einstellungen gelöscht und müssen mithilfe der Anweisungen im Abschnitt „Festlegen des erforderlichen Drucks“ erneut vorgenommen werden.

Wartung

Ihr Black & Decker Gerät (mit und ohne Netzkabel) wurde im Hinblick auf eine lange Lebensdauer und einen möglichst geringen Wartungsaufwand entwickelt. Ein dauerhafter, einwandfreier Betrieb setzt eine regelmäßige Pflege und Reinigung voraus.

Achtung! Vor dem Ausführen jeglicher Wartungsarbeiten an Geräten mit und ohne Netzkabel:

- ◆ Schalten Sie das Gerät aus, und ziehen Sie den Netzstecker.
- ◆ Wenn das Gerät über einen separaten Akku verfügt, schalten Sie das Gerät ab, und entnehmen Sie den Akku aus dem Gerät.
- ◆ Ziehen Sie das Ladegerät aus der Netzsteckdose, bevor Sie es reinigen. Das Ladegerät benötigt keine Wartung, es sollte aber regelmäßig gereinigt werden.
- ◆ Reinigen Sie regelmäßig die Lüftungsschlitze des Geräts und des Ladegeräts mit einer weichen Bürste oder einem trockenen Tuch.
- ◆ Reinigen Sie das Gehäuse regelmäßig mit einem feuchten Tuch. Verwenden Sie keine scheuernden Reinigungsmittel oder Reinigungsmittel auf Lösungsmittelbasis.
- ◆ Öffnen Sie regelmäßig das Spannfutter, und entfernen Sie durch Klopfen ggf. Staub aus dem Inneren des Geräts.

Problembeseitigung

Problem	Mögliche Ursache	Mögliche Lösung
Der Kompressor funktioniert nicht.	Fehler des internen Akkus.	Laden Sie den Akku.
	Der 12-Volt-Gleichspannungsadapter ist nicht angeschlossen.	Schließen Sie den 12-Volt-Gleichspannungsadapter an.

Problem	Mögliche Ursache	Mögliche Lösung
	Am Anschluss liegt keine Spannung an.	Bringen Sie den Zündschlüssel in die Position, in der der Anschluss mit Spannung versorgt wird.
	Der Ein-/Ausschalter befindet sich nicht in der richtigen Stellung.	Bringen Sie den Schalter in die erforderliche Stellung.
	Es ist kein Wert für die Voreinstellung ausgewählt.	Wählen Sie einen Wert für die Voreinstellung aus.
	Die Sicherung des 12-Volt-Gleichspannungsadapters ist durchgebrannt.	Ersetzen Sie diese mit einer Sicherung derselben Größe und desselben Typs (8 A/250 V).
	Das Kabel oder der Schalter ist defekt.	Lassen Sie das Kabel oder den Schalter in einer Black & Decker Vertragswerkstatt oder einer anderen autorisierten Werkstatt austauschen.
Das Gerät pumpt nicht auf.	Ein falscher Modus ist ausgewählt.	Wählen Sie den richtigen Modus aus.
Die LCD-Anzeige leuchtet nicht.	Das Gerät befindet sich im Energiesparmodus.	Drücken Sie eine beliebige Taste auf der LCD-Anzeige oder den Ein-/Ausschalter.

Ersetzen der Sicherung im Stecker für den Zigarettenzünder

- ◆ Entfernen Sie die Kappe durch Drehung gegen den Uhrzeigersinn.
- ◆ Entfernen Sie die Kappe und den Zentrierstift.
- ◆ Nehmen Sie die Sicherung heraus.
- ◆ Setzen Sie eine neue Sicherung desselben Typs und derselben Größe (8 A/250 V) ein.
- ◆ Bringen Sie Kappe und Zentrierstift wieder an.
- ◆ Drehen Sie die Kappe im Uhrzeigersinn fest.

Umweltschutz



Getrennte Entsorgung. Dieses Produkt darf keinesfalls mit dem Hausmüll entsorgt werden.

Sollten Sie Ihr Black & Decker Produkt eines Tages ersetzen oder nicht mehr benötigen, entsorgen Sie es nicht mit dem Hausmüll. Führen Sie das Produkt einer getrennten Sammlung zu.



Durch die getrennte Sammlung von ausgedienten Produkten und Verpackungsmaterialien können Rohstoffe recycelt und wiederverwendet werden. Die Wiederverwendung aufbereiteter Materialien trägt zur Vermeidung der Umweltverschmutzung bei und senkt den Rohstoffbedarf.

Die Verordnung zur Abfallentsorgung Ihrer Gemeinde sieht möglicherweise vor, dass Elektrogeräte getrennt vom Hausmüll gesammelt, an der örtlichen Abfallentsorgungseinrichtung abgegeben oder beim Kauf eines neuen Produkts vom Fachhandel zur Entsorgung angenommen werden müssen.

Black & Decker nimmt Ihre ausgedienten Black & Decker Geräte gern zurück und sorgt für eine umweltfreundliche Entsorgung bzw. Wiederverwertung. Um diese Dienstleistung in Anspruch zu nehmen, geben Sie das Gerät bitte bei einer autorisierten Reparaturwerkstatt ab, die für uns die Einsammlung übernimmt.

Bitte fragen Sie Ihre zuständige Black & Decker Niederlassung (Adresse in dieser Anleitung) nach einer Vertragswerkstatt in Ihrer Nähe. Außerdem ist eine Liste der Vertragswerkstätten und aller Kundendienststellen von Black & Decker sowie der zuständigen Ansprechpartner im Internet zu finden unter: **www.2helpU.com**.

Technische Daten

ASI500 H1	
Eingangsspannung	VDC 12
Eingangsstrom	A 8
SLA (versiegelter Bleisäureakku)	Ah 3,2
Druck (max.)	psi/bar/kPa 160/11,03/1103
Gewicht	kg 3.03

Ladegerät	
Eingang	VAC 230
Ausgang	VDC 12
Ausgangsstrom	A 1

Garantie

Black & Decker vertraut auf die Qualität der eigenen Geräte und bietet dem Käufer eine außergewöhnliche Garantie. Diese Garantiezusage versteht sich unbeschadet der gesetzlichen Gewährleistungsansprüche und schränkt diese keinesfalls ein. Sie gilt in sämtlichen Mitgliedstaaten der Europäischen Union und der Europäischen Freihandelszone EFTA.

Tritt innerhalb von 24 Monaten ab Kaufdatum an einem Gerät von Black & Decker ein auf Material- oder Verarbeitungsfehler bzw. auf Nichterfüllung von Normen zurückzuführender Mangel auf, garantiert Black & Decker den Austausch defekter Teile, die Reparatur von Geräten mit üblichem Verschleiß bzw. den Austausch eines mangelhaften Geräts, ohne dass dem Kunden dabei mehr als unvermeidlich Unannehmlichkeiten entstehen, allerdings vorbehaltlich folgender Ausnahmen:

- ◆ wenn das Gerät gewerblich, beruflich oder im Verleihgeschäft verwendet wurde;
- ◆ wenn das Gerät missbräuchlich verwendet oder mit mangelnder Sorgfalt behandelt wurde;
- ◆ wenn das Gerät durch Fremdeinwirkung beschädigt wurde;
- ◆ wenn ein unbefugter Reparaturversuch durch anderes Personal als das einer Vertragswerkstatt oder des Black & Decker Kundendiensts unternommen wurde.

Zur Inanspruchnahme dieser Garantie ist dem Verkäufer bzw. der Vertragswerkstatt ein Kaufnachweis vorzulegen. Die Adresse der zuständigen Niederlassung von Black & Decker steht in dieser Anleitung. Dort teilt man Ihnen gerne die nächstgelegene Vertragswerkstatt mit. Außerdem ist eine Liste der Vertragswerkstätten und aller Kundendienststellen von Black & Decker sowie der zuständigen Ansprechpartner im Internet zu finden unter: **www.2helpU.com**

Bitte besuchen Sie unsere Website **www.blackanddecker.de**, um Ihr neues Black & Decker Produkt zu registrieren. Dort erhalten Sie auch Informationen über neue Produkte und Sonderangebote. Weitere Informationen über die Marke Black & Decker und unsere Produkte finden Sie unter **www.blackanddecker.de**.

Utilisation

Votre gonfleur Black & Decker est conçu pour être utilisé avec une prise standard 12 Vcc sur la plupart des véhicules. Il permet de gonfler les pneus de bicyclette, de voiture, les ballons, les bateaux, les matelas, les piscines, etc. Il est destiné à une utilisation exclusivement domestique.

Consignes de sécurité

Attention ! De simples précautions sont à prendre pour l'utilisation d'appareil alimenté par batterie. Les conseils suivants doivent toujours être appliqués, ceci afin de réduire le risque d'incendie, les chocs électriques, les blessures et les dommages matériels.

- ◆ Lisez attentivement et entièrement le manuel avant d'utiliser l'appareil.
- ◆ Ce manuel décrit la manière d'utiliser cet appareil.
- ◆ L'utilisation d'un accessoire ou d'une fixation, ou bien l'utilisation de cet appareil à d'autres fins que celles recommandées dans ce manuel d'instruction peut présenter un risque de blessures.
- ◆ Gardez ce manuel pour référence ultérieure.

Utilisation de votre appareil

- ◆ Prenez toutes les précautions nécessaires pour utiliser l'appareil.
- ◆ Ne plongez pas l'appareil dans l'eau.
- ◆ N'ouvrez pas le boîtier. Les pièces à l'intérieur ne sont pas réparables par l'utilisateur.
- ◆ N'utilisez pas l'appareil dans un environnement présentant des risques d'explosion, ni en présence de liquides, gaz ou poussières inflammables.
- ◆ Pour limiter le risque d'endommagement des prises et des fils électriques, ne débranchez jamais l'appareil en tirant sur le câble.

Après l'utilisation

- ◆ Quand il n'est pas utilisé, l'appareil doit être rangé dans un endroit suffisamment aéré, sec et hors de portée des enfants.
- ◆ Les enfants ne doivent pas avoir accès aux appareils rangés.
- ◆ Quand l'appareil est rangé ou transporté dans un véhicule, il doit être installé dans le coffre ou correctement calé pour éviter les mouvements dus aux changements de direction ou de vitesse.
- ◆ L'appareil doit être protégé de la lumière directe, de la chaleur et de l'humidité.

Vérification et réparations

- ◆ Avant l'utilisation, vérifiez si l'appareil est en bon état ou si aucune pièce ne manque. Recherchez des pièces cassées, des boutons endommagés et d'autres anomalies susceptibles de nuire au bon fonctionnement de l'appareil.
- ◆ N'utilisez pas l'appareil si une pièce est endommagée ou défectueuse.
- ◆ Faites réparer ou remplacer les pièces défectueuses ou endommagées par un réparateur agréé.
- ◆ Ne tentez jamais de retirer ou de remplacer des pièces autres que celles citées dans ce manuel.

Consignes de sécurité supplémentaires pour gonfleurs

- ◆ Pour la maison et la voiture uniquement. Gonflez les pneus des bicyclettes et des voitures, ballons, piscines et tout autres accessoires.
- ◆ L'air comprimé de votre gonfleur n'est pas bon pour la santé. N'aspirez jamais l'air provenant de votre gonfleur ou d'un appareil connecté au gonfleur.
- ◆ Respectez les recommandations du fabricant pour gonfler. Trop de pression pourrait entraîner une explosion et blesser des personnes.
- ◆ Ne laissez pas l'appareil fonctionner sans surveillance. Les pneus ou autres éléments pourraient éclater.
- ◆ Le gonfleur risque de se déplacer sous l'effet des vibrations. Ne l'utilisez pas en le posant sur une étagère ou une autre surface en hauteur. Il ne peut être utilisé que posé sur le sol ou sur un établi.
- ◆ N'apportez aucune modification et ne réparez pas. Ne le percez pas, ne le soudez pas ou n'apportez aucune modification au gonfleur ou à ses fixations.
- ◆ Ne faites pas fonctionner le gonfleur quand le moteur tourne.
- ◆ Ne faites fonctionner qu'avec les accessoires proposés ou ceux d'une valeur nominale de 11,03 BAR/160 PSI/1103 KPA ou plus. L'utilisation d'accessoires non recommandés pour cet appareil peut être dangereuse.
- ◆ Ne jouez pas avec l'outil. L'air sous haute pression est dangereux. N'orientez pas la source d'air vers vous ou vers les autres.
- ◆ Le gonfleur peut devenir chaud pendant l'utilisation. Laissez-le refroidir pendant 30 minutes avant de le ranger.
- ◆ Ne transportez jamais le gonfleur par le tuyau.
- ◆ N'orientez jamais l'embout ou le tuyau vers des animaux ou des personnes.
- ◆ Rangez le gonfleur hors de portée des jeunes enfants.

- ◆ L'indicateur n'est à utiliser qu'à titre indicatif. La pression des pneus doit être vérifiée régulièrement avec un appareil homologué.
- ◆ Avant l'utilisation, vérifiez l'état du fil électrique (dommages, usures et vieillissement).
- ◆ N'utilisez pas l'appareil si le fil électrique ou la prise sont endommagés ou défectueux (si applicable).

Sécurité des personnes

- ◆ Cet appareil ne doit pas être utilisé par des personnes (y compris les enfants) ayant des déficiences physiques, mentales ou sensorielles. Cette consigne s'applique aussi aux personnes manquant d'expérience et de connaissance du matériel, à moins que celles-ci n'aient reçu les instructions appropriées ou qu'elles ne soient encadrées par une personne responsable de leur sécurité pour utiliser l'appareil.
- ◆ Ne laissez jamais les enfants sans surveillance pour éviter qu'ils ne jouent avec cet appareil.

Consignes de sécurité supplémentaires concernant les batteries et les chargeurs

Batteries

- ◆ En aucun cas, n'essayez d'ouvrir l'appareil.
- ◆ Ne mettez pas la batterie en contact avec l'eau.
- ◆ N'approchez pas la batterie d'une source de chaleur.
- ◆ Ne le rangez pas dans des endroits où la température peut dépasser 40 °C.
- ◆ Ne chargez qu'à température ambiante comprise entre 10 °C et 40 °C.
- ◆ N'utilisez que le chargeur fournis avec l'appareil/outil.
- ◆ Pour jeter les batteries, suivez les instructions données dans la section « Protection de l'environnement ».
- ◆ Ne déformez/n'endommagez pas le bloc batterie en le perçant ou en le cognant, ceci pourrait entraîner des blessures et un incendie.
- ◆ Ne chargez pas les batteries endommagées.
- ◆ Dans des conditions extrêmes, une batterie peut couler. Si vous détectez une fuite, utilisez un chiffon pour essuyer le liquide avec précaution. Évitez tout contact avec la peau.
- ◆ En cas de contact avec la peau ou les yeux, suivez les instructions ci-dessous.

Attention ! Le liquide de batterie peut provoquer des blessures ou des dommages. En cas de contact avec la peau, rincez immédiatement à l'eau. Si des rougeurs, une douleur ou une irritation se produisent, consultez un médecin. En cas de contact avec les yeux, rincez à l'eau et consultez immédiatement un médecin.

Chargeurs

Votre chargeur doit être utilisé avec une tension spécifique. Vérifiez toujours si la tension indiquée sur la plaque signalétique de l'appareil correspond à la tension de secteur.

Attention ! N'essayez jamais de remplacer le chargeur par une prise secteur.

- ◆ N'utilisez votre chargeur Black & Decker que pour charger la batterie fournie avec l'appareil/outil. D'autres batteries pourraient exploser, provoquant des blessures et des dommages.
- ◆ Ne tentez jamais de recharger des batteries non rechargeables.
- ◆ Si le câble d'alimentation est endommagé, il doit être remplacé par le fabricant ou par un centre de réparation agréé Black & Decker pour éviter tout risque.
- ◆ Ne mettez pas le chargeur en contact avec l'eau.
- ◆ N'ouvrez pas le chargeur.
- ◆ Ne testez pas le chargeur.
- ◆ Pour le rechargement, placez l'appareil/outil/batterie dans un endroit correctement aéré.

Sécurité électrique



Votre chargeur est doublement isolé. Par conséquent, aucun câble de terre n'est nécessaire. Vérifiez toujours si la tension indiquée sur la plaque signalétique de l'appareil correspond à la tension de secteur.

- ◆ Si le câble d'alimentation est endommagé, il doit être remplacé par le fabricant ou par un centre de réparation agréé Black & Decker pour éviter tout risque.
- ◆ N'essayez jamais de remplacer le chargeur par une prise secteur.

Étiquettes sur les outils

Les symboles ci-dessous se trouvent sur l'outil :



Lisez ce manuel d'instructions avant l'utilisation du gonfleur.



N'exposez pas l'appareil à la pluie ni à l'humidité.



Avant d'effectuer des réparations ou un nettoyage de l'appareil, débranchez-le.



Ne laissez pas le gonfleur sans surveillance.

Éléments

1. Bouton marche/arrêt
2. Écran
3. Poignée
4. Connexion de dégonflage haut volume
5. Tuyau d'air avec adaptateur de valve universelle
6. Adaptateur de valve universelle
7. Tuyau haut volume
8. Connecteur du véhicule 12 Vcc
9. Jack du chargeur
10. Connexion de gonflage haut volume
11. Prise du jack
12. Témoin lumineux
13. Chargeur
14. Rangement des accessoires

Figure A

15. Témoin de charge

Avant l'utilisation (figure A)

La batterie interne doit être rechargée pendant 4 à 5 heures en utilisant le chargeur (13) c.a. fourni.

- ◆ Insérez le jack (9) dans la prise (11) à l'avant de l'appareil.
- ◆ Branchez le chargeur (13) dans la prise secteur.
- ◆ Le témoin de charge (15) sur le chargeur (13) indiquent le niveau de charge. Rouge = en charge, Vert = appareil chargé.
- ◆ Une fois chargé, retirez le chargeur de la prise secteur et débranchez la prise de l'appareil.

Remarque : Rangez le chargeur dans un endroit sûr pour une prochaine utilisation.

Utilisation

Rangement du fil et du tuyau (figures B et D)

- ◆ Enroulez le fil Vcc (17) autour de la base de l'appareil, puis placez l'adaptateur 12 Vcc (8) dans la zone de rangement (16), comme indiqué figure B. Tournez-le ensuite de 90° pour le maintenir.
- ◆ Le tuyau d'air (5) se range dans la rainure (26) sur le dessus de l'appareil (figure C). Assurez-vous que le tuyau est correctement enclenché dans les clips et que le levier (19) est en position relevé (figure D).
- ◆ Le tuyau haut volume (7) se range dans la rainure au centre de l'appareil et s'enclenche aux deux extrémités. Les accessoires (14) sont rangés à l'avant de l'appareil.

Fixation des accessoires (figures D, G et I)

Des embouts coniques standards et un embout à aiguille sont fournis avec votre gonfleur. Ils se trouvent à l'avant de l'appareil (14).

- ◆ Assurez-vous que le levier (19) est relevé pour pouvoir utiliser l'adaptateur de valve universelle (6).
- ◆ Placez l'adaptateur de valve universelle (6) sur la tige de l'aiguille de gonflage ou sur l'embout conique (figure D).
- ◆ Appuyez sur le levier (19) pour bloquer l'adaptateur (6).
- ◆ Placez l'aiguille de gonflage ou l'embout conique dans le pneumatique à gonfler.

Remarque : assurez-vous que le levier est relevé quand l'appareil n'est pas utilisé. Ne faites fonctionner votre gonfleur qu'avec l'adaptateur de valve universelle ou les embouts fournis.

Remarque : assurez-vous que l'adaptateur est fermement enclenché avant de mettre le gonfleur en marche.

Votre gonfleur est fourni avec un adaptateur haut volume (24). Il se trouve à l'avant de l'appareil (figure G).

- ◆ Pour utiliser l'adaptateur haut volume (24), retirez-le de la connexion de gonflage haut volume (10).
- ◆ Retirez le tuyau haut volume (7) de son logement.
- ◆ Retirez l'embout conique (18) de l'extrémité du tuyau haut volume (7).
- ◆ Installez l'adaptateur haut volume (24) à l'extrémité du tuyau haut volume (figure H).

La plupart des pneumatiques, surtout les matelas, ont un clapet interne qui empêche l'air de s'échapper pendant le processus de gonflage. Si ce clapet est déplacé par l'embout, le pneumatique ne pourra être gonflé. Poussez l'embout fermement dans la valve pour que le clapet s'ouvre.

Attention ! Une pression d'air trop forte risque de provoquer un éclatement ou des blessures. Demandez au fabricant la valeur nominale de pression pour les pneumatiques à gonfler.

Remarque : si la valeur nominale est supérieure à 100 PSI / 6,89 BAR / 689 KPA, notez que le gonfleur ne peut être utilisé que 10 minutes. Attendez 20 minutes avant de réutiliser l'appareil.

Fonctionnement du gonfleur (figure E)

Attention ! Ne faites pas fonctionner le gonfleur quand le moteur tourne.

Remarque : vérifiez que la prise accessoire 12 Vcc est alimentée. Sur certains véhicules, la clé de contact doit être en position Accessoires pour que la prise soit sous tension.

Pour allumer l'écran avec l'adaptateur 12 Vcc :

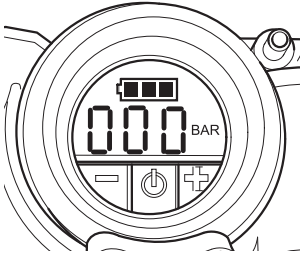
- ◆ Tirez toujours complètement le fil 12 Vcc avant chaque utilisation.
- ◆ Branchez l'adaptateur 12 Vcc (8) dans la prise accessoire 12 Vcc du véhicule.
- ◆ Mettez le bouton marche/arrêt (1) en position de gonflage (c) pour allumer l'écran.

Pour allumer l'écran à partir d'une batterie interne (sans fil) :

- ◆ Mettez le bouton marche/arrêt (1) en position de gonflage (c) pour allumer l'écran.

Attention ! Ne laissez pas le gonfleur fonctionner sans surveillance. Les pneus ou autres éléments pourraient éclater.

Réglage de la pression requise (figure E)



Remarque : l'écran n'affiche les pressions de gonflage que pendant l'utilisation du gonfleur. Le niveau de charge de la batterie est toujours indiqué.



Charge nécessaire.



En charge.



Charge complète.

Remarque : la coupure automatique doit être sélectionnée avant de faire fonctionner l'appareil (mode gonflage uniquement).

- ◆ Pour changer d'unité (PSI, BAR ou KPA), appuyez simultanément sur les boutons - & + (21, 23) jusqu'à ce que les unités demandées s'affichent.
- ◆ Appuyez pendant 3 secondes sur le - ou le + (21, 23) du bouton jusqu'à ce que l'affichage clignote.
- ◆ Quand l'affichage clignote, appuyez sur le bouton - ou + (21, 23) jusqu'à ce que la pression désirée s'affiche.
- ◆ L'affichage clignote après 3 secondes et 0,0 PSI / 0,00 BAR / 0 KPA s'affiche de nouveau. Ceci est normal.
- ◆ Connectez l'adaptateur de valve universelle (6) et un accessoire, le cas échéant, au pneumatique à gonfler, en vous assurant que le levier (19) de l'adaptateur de valve est verrouillé vers le bas.

Remarque : assurez-vous que l'adaptateur de valve universelle est correctement installé au pneumatique à gonfler.

- ◆ Pour commencer le gonflage, appuyez sur le bouton d'alimentation (22) sur l'écran.
- ◆ Quand le pneumatique à gonfler atteint la valeur définie, le gonfleur s'arrête automatiquement.

Remarque : le relevé de la pression actuelle peut diminuer après quelques secondes. Ceci est normal.

- ◆ Pour arrêter le gonfleur, il suffit d'appuyer sur le bouton d'alimentation (22) sur l'écran.
 - ◆ Retirez l'adaptateur de valve ou l'accessoire du pneumatique à gonfler et l'adaptateur 12 Vcc (6) de la prise accessoire 12 Vcc du véhicule.
 - ◆ Mettez le bouton marche/arrêt (1) en position d'arrêt (b).
- Remarque :** s'il n'y a plus de source d'alimentation, tous les réglages s'annulent. Il faudra de nouveau les sélectionner selon les instructions données dans la section Réglage de la pression requise. Ceci est une mesure de sécurité pour éviter le risque de SURGONFLAGE.

Utilisation du gonfleur comme indicateur de pression

- ◆ Mettez le bouton marche/arrêt (1) en position de gonflage (c figure E).
- ◆ Branchez l'adaptateur de valve universelle (6) au pneumatique à vérifier.
- ◆ L'écran affiche la pression.
- ◆ Après vérification, éteignez le bouton marche/arrêt (1) et remplacez le tuyau d'air dans son logement.

Fonctionnement de la pompe haut volume

Remarque : ne faites pas fonctionner la pompe quand le moteur tourne.

Remarque : vérifiez que la prise accessoire 12 Vcc est alimentée. Sur certains véhicules, la clé de contact doit être en position Accessoires pour que la prise soit sous tension.

Pour gonfler à l'aide de la pompe haut volume

(par exemple, les bateaux, piscines, matelas) :

Remarque : il N'y a PAS d'option de coupure automatique en mode pompage.

- ◆ Mettez le bouton marche/arrêt (1) en position de pompage (a, figure E).
- ◆ Retirez le tuyau haut volume (7) de son logement au centre de l'appareil et connectez-le à la connexion de gonflage haut volume (10) (figure F).
- ◆ Insérez le tuyau (avec les accessoires le cas échéant) au pneumatique à gonfler.
- ◆ Pour commencer le pompage, appuyez sur le bouton d'alimentation (22) sur l'écran.
- ◆ Quand le pneumatique est correctement gonflé ou pour arrêter la pompe, il suffit d'appuyer sur le bouton d'alimentation (22) sur l'écran.
- ◆ Retirez le tuyau du pneumatique et rangez-le sur l'appareil.
- ◆ Mettez le bouton marche/arrêt (1) en position d'arrêt (b figure E).

Pour dégonfler à l'aide de la pompe haut volume

(par exemple, les bateaux, piscines, matelas) :

Remarque : il N'y a PAS d'option de coupure automatique en mode pompage.

- ◆ Mettez le bouton marche/arrêt (1) en position de pompage (a figure E).
- ◆ Retirez le tuyau haut volume (7) de son logement au centre de l'appareil et connectez-le à la connexion de dégonflage haut volume (4) (figure F).
- ◆ Insérez le tuyau (avec les accessoires le cas échéant) dans le pneumatique à gonfler.
- ◆ Pour commencer le pompage, appuyez sur le bouton d'alimentation (22) sur l'écran.
- ◆ Quand le pneumatique est dégonflé ou pour arrêter la pompe, il suffit d'appuyer sur le bouton d'alimentation (22) sur l'écran.
- ◆ Retirez le tuyau haut volume (7) du pneumatique et rangez-le dans son logement au centre de l'appareil.
- ◆ Mettez le bouton marche/arrêt (1) en position d'arrêt (b figure E).

Fonctionnement du témoin lumineux

Pour allumer le témoin lumineux (12) :

- ◆ Mettez le bouton marche/arrêt (1) en position de gonflage (c figure E) ou de pompage (a figure E).
- ◆ Appuyez sur - ou sur + (21, 23) sur l'écran (2) pour allumer le témoin (12).

Pour éteindre le témoin lumineux (12) :

- ◆ Appuyez de nouveau sur - ou sur + (21, 23).
- ◆ Mettez le bouton marche/arrêt (1) en position d'arrêt.

Mode veille pour prolonger la durée de vie de la batterie

Le mode veille de l'appareil permet de prolonger la durée de vie de la batterie interne.

Quand l'appareil n'est pas utilisé ou bien est laissé sous tension pendant plus de deux minutes, il est automatiquement mis en mode veille.

- ◆ Pour remettre l'appareil en marche, appuyez de nouveau sur le bouton marche/arrêt (1) ou sur un bouton de l'écran (2).

Remarque : une fois le mode veille éteint, tous les réglages s'annulent. Il faudra de nouveau les sélectionner selon les instructions données dans la section Réglage de la pression requise.

Entretien

Votre appareil/outil sans fil/avec fil Black & Decker a été conçu pour fonctionner pendant longtemps avec un minimum d'entretien. Un fonctionnement continu satisfaisant dépend d'un nettoyage régulier et d'un entretien approprié de l'appareil/outil.

Attention ! À ne pas oublier avant d'effectuer des réparations des appareils/outils sans fil/avec fil :

- ◆ Arrêtez l'appareil/outil, puis débranchez-le.
- ◆ Ou, arrêtez l'appareil et retirez la batterie de l'appareil/outil si celui-ci est muni d'un bloc-batterie séparé.
- ◆ Débranchez le chargeur avant de le nettoyer. Aucun entretien particulier n'est nécessaire pour le chargeur en dehors du nettoyage régulier.
- ◆ Nettoyez régulièrement les orifices de ventilation de votre appareil/outil/chargeur à l'aide d'une brosse souple ou d'un chiffon sec.
- ◆ Nettoyez régulièrement le boîtier à l'aide d'un chiffon humide. N'utilisez pas de produit abrasif ou à base de solvant.
- ◆ Ouvrez régulièrement le mandrin et retirez la poussière à l'intérieur en le tapant (si installé).

Dépannage

Problème	Cause possible	Solution possible
Le gonfleur ne fonctionne pas.	Panne de la batterie interne.	Rechargez la batterie.
	Adaptateur 12 Vcc non connecté.	Connectez l'adaptateur 12 Vcc.
	Prise accessoire hors tension.	Tournez la clé en position Accessoires.
	Le bouton marche/arrêt n'est pas dans la bonne position.	Mettez le bouton marche/arrêt dans la position requise.
	Absence de valeur de préréglage.	Définissez une valeur de préréglage.
	Le fusible dans l'adaptateur 12 Vcc est grillé.	Remplacez avec un fusible de même type et dimension (8 A/250 V).
	Le fil ou le bouton est endommagé.	Faites remplacer le fil ou le bouton dans un centre de service Black & Decker ou dans un centre de service agréé.
Pas de gonflage.	Mode sélectionné incorrect.	Sélectionnez le mode approprié.
L'écran n'est pas allumé.	Appareil en mode veille.	Appuyez sur un bouton de l'écran ou sur le bouton marche/arrêt.

Remplacement du fusible dans la prise accessoire c.c. du véhicule

- ◆ Tournez le bouchon dans le sens inverse des aiguilles d'une montre pour le retirer.
- ◆ Retirez le bouchon et l'axe central.
- ◆ Retirez le fusible.
- ◆ Installez un fusible neuf de même type et dimension (8 A/250 V).
- ◆ Reposez le bouchon et l'axe central.
- ◆ Serrez le bouchon dans le sens des aiguilles d'une montre pour l'installer.

Protection de l'environnement



Recyclage. Cet appareil ne doit pas être jeté avec les déchets ménagers.

Si votre outil Black & Decker doit être remplacé ou si vous ne l'utilisez plus, ne le jetez pas avec les ordures ménagères. Songez à la protection de l'environnement et recyclez-le.



La collecte séparée des produits et des emballages usagés permet de recycler et de réutiliser des matériaux. La réutilisation de matériaux recyclés évite la pollution de l'environnement et réduit la demande de matières premières.

Des réglementations locales peuvent stipuler la collecte séparée des produits électriques et des produits ménagers, dans des déchetteries municipales ou par le revendeur lorsque vous achetez un nouveau produit.

Black & Decker offre une solution permettant de recycler les produits Black & Decker lorsqu'ils ont atteint la fin de leur cycle de vie. Pour pouvoir profiter de ce service, veuillez retourner votre produit à un réparateur agréé qui se chargera de le collecter pour nous.

Pour connaître l'adresse du réparateur agréé le plus proche de chez vous, contactez le bureau Black & Decker à l'adresse indiquée dans ce manuel. Vous pourrez aussi trouver une liste de réparateurs agréés de Black & Decker et de plus amples détails sur notre service après-vente sur le site Internet à l'adresse suivante : www.2helpU.com.

Caractéristiques techniques

ASI500 H1	
Tension d'entrée	Vcc 12
Courant d'entrée	A 8
Batterie sans entretien (SLA)	Ah 3,2
Pression (max)	PSI / BAR / KPA 160 / 11.03 / 1103
Poids	kg 3.03

Chargeur	
Entrée	Vca 230
Sortie	Vcc 12
Courant de sortie	A 1

Garantie

Black & Decker assure la qualité de ses produits et vous offre une garantie très élargie. Ce certificat de garantie est un document supplémentaire et ne peut en aucun cas se substituer à vos droits légaux. La garantie est valable sur tout le territoire des États Membres de l'Union Européenne et de la Zone de Libre Échange Européenne.

Si un produit Black & Decker s'avère défectueux en raison de matériaux en mauvais état, d'une erreur humaine ou d'un manque de conformité dans les 24 mois suivant la date d'achat, Black & Decker garantit le remplacement des pièces défectueuses, la réparation des produits usés ou cassés ou remplace ces produits à la convenance du client, sauf dans les circonstances suivantes :

- ◆ Le produit a été utilisé dans un but commercial, professionnel ou a été loué.
- ◆ Le produit a été mal utilisé ou mal entretenu.
- ◆ Le produit a subi des dommages à cause de corps étrangers, de substances ou d'accidents.
- ◆ Des réparations ont été tentées par des techniciens ne faisant pas partie du service technique de Black & Decker.

Pour avoir recours à la garantie, il est nécessaire de fournir une preuve d'achat au vendeur ou à un réparateur agréé. Pour connaître l'adresse du réparateur agréé le plus proche de chez vous, contactez le bureau Black & Decker à l'adresse indiquée dans ce manuel. Vous pourrez aussi trouver une liste de réparateurs agréés de Black & Decker et de plus amples détails sur notre service après-vente sur le site Internet à l'adresse suivante : www.2helpU.com.

Visitez notre site Web www.blackanddecker.fr pour enregistrer votre nouveau produit Black & Decker et être informé des nouveaux produits et des offres spéciales. Pour plus d'informations concernant la marque Black & Decker et notre gamme de produits, consultez notre site www.blackanddecker.fr.

Uso previsto

La stazione di gonfiaggio Black & Decker è stata progettata per essere usata senza filo o, sulla maggior parte di veicoli, con la normale presa da 12 V c.c., per il gonfiaggio di pneumatici di auto e biciclette, palloni, gommoni, materassi ad aria e materassini gonfiabili. Questo prodotto è stato progettato solo per un uso individuale.

Istruzioni di sicurezza

Attenzione! Quando si usano apparecchi alimentati a batteria, osservare sempre le normali precauzioni di sicurezza per ridurre il rischio di incendio, scosse elettriche, lesioni personali e danni materiali.

- ◆ Leggere attentamente il presente manuale prima di usare l'elettrotensile.
- ◆ L'uso previsto è descritto nel presente manuale.
- ◆ Se questo elettrotensile viene usato con accessori o per usi diversi da quelli raccomandati nel presente manuale d'uso, si potrebbero verificare lesioni personali.
- ◆ Conservare il presente manuale per futura consultazione.

Utilizzo dell'elettrotensile

- ◆ Prestare sempre attenzione quando si usa l'elettrotensile.
- ◆ Non immergere l'elettrotensile in acqua.
- ◆ Non aprire il corpo dell'elettrotensile, dato che al suo interno non vi sono componenti riparabili.
- ◆ Evitare di impiegare questo elettrotensile in ambienti esposti al rischio di esplosione, ad esempio in presenza di liquidi, gas o polveri infiammabili.
- ◆ Per ridurre il rischio di danni a spine o fili, non tirare mai il filo per scollegare la spina da una presa.

Dopo l'impiego

- ◆ Quando non viene usato, l'elettrotensile deve essere conservato in un luogo asciutto e ben ventilato, fuori dalla portata dei bambini.
- ◆ Gli elettrotensili non devono essere riposti alla portata dei bambini.
- ◆ Se viene conservato o trasportato in un veicolo, l'elettrotensile deve essere messo nel bagagliaio o legato per evitare che si sposti in caso di cambiamento repentino della velocità o della direzione di marcia.
- ◆ L'elettrotensile deve essere protetto dalla luce diretta del sole, dal calore e dall'umidità.

Ispezione e riparazioni

- ◆ Prima dell'impiego, controllare che l'elettrotensile non sia danneggiato e non presenti parti difettose. Controllare che non vi siano parti rotte, che gli interruttori non siano danneggiati e che non vi siano altre condizioni che potrebbero avere ripercussioni sulle prestazioni.
- ◆ Non usare l'elettrotensile se alcune parti sono danneggiate o difettose.
- ◆ Far riparare o sostituire le parti danneggiate o difettose da un tecnico autorizzato.
- ◆ Non tentare di smontare o sostituire qualsiasi parte ad eccezione di quelle specificate nel presente manuale.

Altre precauzioni di sicurezza per i compressori

- ◆ Solo per uso domestico o sulla propria auto. Per gonfiare pneumatici di macchine e biciclette, palloni, materassini e materassi gonfiabili e molti altri articoli domestici.
- ◆ L'aria compressa erogata dal compressore non può essere respirata. Non respirare mai l'aria erogata dal compressore o da un respiratore collegato al compressore.
- ◆ Gonfiare i vari articoli solo in base alle raccomandazioni del fabbricante. Se si supera la pressione nominale indicata, si può causare l'esplosione degli articoli gonfiati oltre a lesioni personali.
- ◆ Non lasciare che il compressore funzioni incustodito dato che potrebbe far scoppiare pneumatici o altri articoli.
- ◆ Dato che le vibrazioni prodotte dal compressore ne potrebbero causare lo spostamento, non farlo funzionare su di un ripiano o su altre superfici sopraelevate. Usarlo solo da terra o su di un banco da lavoro.
- ◆ Non modificarlo e non tentare di ripararlo. Non trapanare, saldare o apportare mai modifiche al compressore o ai rispettivi accessori.
- ◆ Non far funzionare il compressore quando il motore è acceso.
- ◆ Far funzionare solo con gli accessori forniti o con quelli con taratura nominale di 11,03 bar/160 psi/1103 KPA o superiore. L'uso di accessori non raccomandati per impiego con questo elettrotensile potrebbe essere pericoloso.
- ◆ Non giocare con questo elettrotensile. L'alta pressione è pericolosa. Non puntare il getto d'aria contro sé stessi o altre persone.
- ◆ Il compressore potrebbe riscaldarsi durante l'impiego. Lasciare che il compressore si raffreddi per 30 minuti prima di metterlo via.
- ◆ Non trasportare mai il compressore afferrandolo dal tubo di alimentazione dell'aria.
- ◆ Non puntare l'ugello o il tubo verso animali o astanti.

- ◆ Riporre il compressore lontano dalla portata dei bambini.
- ◆ Il manometro funge solo da guida. La pressione dei pneumatici deve essere controllata regolarmente con un manometro omologato.
- ◆ Prima dell'uso, controllare che il filo di alimentazione non presenti segni di danni, invecchiamento e usura.
- ◆ Non usare l'elettrotensile se il filo di alimentazione o la spina sono danneggiati o difettosi (se pertinente).

Sicurezza altrui

- ◆ Questo elettrotensile non è stato progettato per impiego da parte di persone (o bambini) portatrici di handicap fisici, psichici o sensoriali o che non abbiano la dovuta esperienza o conoscenza, a meno che non siano seguite o opportunamente istruite sul suo impiego da parte di una persona responsabile della loro sicurezza.
- ◆ Controllare che i bambini non giochino con l'elettrotensile.

Altre istruzioni di sicurezza per batterie e alimentatori

Batterie

- ◆ Non tentare di aprirle per qualsiasi ragione.
- ◆ Non lasciare che la batteria si bagni.
- ◆ Non esporre la batteria al calore.
- ◆ Non riporre in luoghi dove la temperatura potrebbe superare i 40°C.
- ◆ Caricare solo a temperature ambiente tra 10°C e 40°C.
- ◆ Caricare solo usando l'alimentatore fornito con l'apparecchio/elettrotensile.
- ◆ Quando si smaltiscono le batterie, seguire le istruzioni riportate al capitolo "Protezione dell'ambiente".
- ◆ Non danneggiare/deformare il battery pack forandolo o colpendolo per evitare il rischio di lesioni o di incendio.
- ◆ Non caricare le batterie danneggiate.
- ◆ In condizioni estreme, si potrebbe verificare la perdita di liquido dalle batterie. Se si nota la presenza di liquido sulle batterie, pulirle con attenzione con uno straccio. Evitare il contatto con l'epidermide.
- ◆ In caso di contatto con la pelle o gli occhi, seguire le istruzioni riportate di seguito.

Attenzione! Il liquido della batteria può causare lesioni alle persone o danni alle cose. In caso di contatto con la pelle, risciacquare immediatamente con acqua. In caso di rissore, dolore o irritazione, rivolgersi immediatamente a un medico. In caso di contatto con gli occhi, risciacquarli immediatamente con acqua pulita e consultare un medico.

Alimentatori

L'alimentatore è stato progettato per una tensione specifica. Controllare sempre che la tensione di rete corrisponda alla tensione indicata sulla targhetta dei dati tecnici.

Attenzione! Non tentare mai di sostituire l'alimentatore con una normale spina di rete.

- ◆ Usare l'alimentatore Black & Decker solo per ricaricare la batteria nell'apparecchio/elettrotensile con il quale è stato fornito. Altre batterie potrebbero scoppiare causando lesioni alle persone e danni.
- ◆ Non tentare mai di ricaricare batterie non ricaricabili.
- ◆ In caso di danneggiamento del filo di alimentazione, è necessario farlo riparare dal fabbricante o presso un centro assistenza Black & Decker autorizzato in modo da evitare eventuali pericoli.
- ◆ Non lasciare che l'alimentatore si bagni.
- ◆ Non aprire l'alimentatore.
- ◆ Non collegare l'alimentatore a sonde.
- ◆ L'apparecchio/elettrotensile/batteria devono essere lasciati in una zona ben ventilata durante la carica.

Sicurezza elettrica



Il doppio isolamento di cui è provvisto l'alimentatore rende superfluo il filo di terra. Controllare sempre che la tensione di rete corrisponda alla tensione indicata sulla targhetta dati.

- ◆ In caso di danneggiamento del filo di alimentazione, è necessario farlo riparare dal fabbricante o presso un centro assistenza Black & Decker autorizzato in modo da evitare eventuali pericoli.
- ◆ Non tentare mai di sostituire l'alimentatore con una normale spina di rete.

Etichette sugli elettrotensili

Sull'elettrotensile appaiono i seguenti simboli:



Leggere il presente manuale d'uso prima di usare il compressore.



Non esporre l'elettrotensile alla pioggia o a un'umidità intensa.



Prima di eseguire la manutenzione o di pulire l'elettrotensile, scollegare il filo di alimentazione dalla presa.



Non lasciare il compressore incustodito.

Caratteristiche

1. Interruttore di accensione principale
2. Display LCD
3. Manico
4. Collegamento sgonfiaggio pompa ad alta portata
5. Tubo di alimentazione aria con adattatore valvola universale
6. Adattatore valvola universale
7. Tubo ad alta portata
8. Connettore veicolo da 12 V c.c.
9. Spinotto alimentatore
10. Collegamento gonfiaggio pompa ad alta portata
11. Presa spinotto
12. Luce a LED
13. Alimentatore
14. Vano accessori

Fig. A

15. LED di carica

Prima dell'impiego (fig. A)

La batteria interna deve essere ricaricata per 4 – 5 ore con l'alimentatore c.a. (13) fornito.

- ◆ Infilare lo spinotto (9) nella relativa presa (11) sulla parte anteriore dell'elettrotensile.
- ◆ Collegare lo spinotto dell'alimentatore c.a. (13) all'alimentazione di rete.
- ◆ Il LED (15) sull'alimentatore c.a. (13) indica il livello di carica. Rosso, carica in corso; verde, elettrotensile carico.
- ◆ Quando è completamente carico, scollegare l'alimentatore c.a. dall'alimentazione di rete ed estrarre lo spinotto dall'elettrotensile.

Nota: Conservare l'alimentatore c.a. in un luogo sicuro per impiego futuro.

Utilizzo

Vano per tubo e filo di alimentazione (figg. B - D)

- ◆ Avvolgere il filo da 12 V c.c. (17) attorno alla base dell'elettrotensile e posizionare l'adattatore da 12 V c.c. (8) nel proprio vano (16) come illustrato in fig. B e quindi ruotarlo di 90° per fissarlo in sede.
- ◆ Il tubo di alimentazione dell'aria (5) è situato in una canalina portatubo (26) attorno alla parte superiore dell'elettrotensile (fig. C); fare attenzione che il tubo sia agganciato nei fermi di ritenuta e che la leva (19) si trovi in posizione rialzata (fig. D).
- ◆ Il tubo ad alta portata (7) si trova in una canalina portatubo al centro dell'elettrotensile e si aggancia in sede da entrambe le estremità. Gli accessori (14) sono conservati sulla parte anteriore dell'elettrotensile.

Montaggio degli accessori (figg. D, G – I)

Il compressore è fornito con le ghiera coniche standard e l'ugello di gonfiaggio ad ago che sono conservati sulla parte anteriore dell'elettrotensile (14).

- ◆ Per usare l'adattatore valvola universale (6), verificare che la leva (19) sia sollevata.
- ◆ Mettere l'adattatore valvola universale (6) sopra allo stelo dell'ago o sopra alla ghiera conica (fig. D).
- ◆ Abbassare la leva (19) sull'adattatore valvola universale (6) per bloccarlo in sede.
- ◆ Posizionare l'ago o la ghiera conica nell'articolo da gonfiare.

Nota: Verificare sempre che la leva sia sollevata quando l'elettrotensile non è usato. Azionare il compressore solo con l'adattatore valvola universale o con le ghiera fornite.

Nota: Accertarsi che l'adattatore valvola universale sia saldamente bloccato in sede prima di accendere il compressore.

Il compressore è fornito con adattatore ad alta portata (24), conservato sulla parte anteriore dell'elettrotensile (fig. G).

- ◆ Per usare l'adattatore ad alta portata (24), staccarlo dal collegamento di gonfiaggio ad alta portata (10).
- ◆ Estrarre il tubo ad alta portata (7) dalla rispettiva canalina portatubo.
- ◆ Staccare l'ugello conico (18) dall'estremità del tubo ad alta portata (7).
- ◆ Montare l'adattatore ad alta portata (24) sull'estremità del tubo ad alta portata (fig. H).

Molti articoli gonfiabili, in modo particolare i materassi pneumatici, sono dotati di deflettore interno che impedisce la perdita di aria durante il gonfiaggio. Se questo deflettore non viene spostato dalla ghiera, l'articolo da gonfiare non può essere gonfiato. Calzare saldamente la ghiera sulla valvola per essere sicuri di aprire questo deflettore.

Attenzione! Una pressione dell'aria eccessiva può causare lo scoppio dell'articolo gonfiato o lesioni personali. Controllare il valore nominale massimo indicato dal fabbricante degli articoli che si stanno gonfiando.

Nota: Se il valore nominale della pressione dell'articolo che si sta gonfiando è superiore a 6,89 bar/100 psi/689 KPA, tenere presente che il tempo di funzionamento massimo è di 10 minuti, seguito da un periodo di riposo di 20 minuti, prima del successivo riutilizzo.

Funzionamento del compressore (fig. E)

Attenzione! Non far funzionare il compressore quando il motore dell'auto è acceso.

Nota: Verificare che la presa accessori da 12 V c.c. sia sotto tensione. Su alcuni veicoli, la presa accessori è sotto tensione solo quando la chiave di accensione si trova sulla posizione accessori.

Alimentazione del display mediante l'adattatore da 12 V c.c.

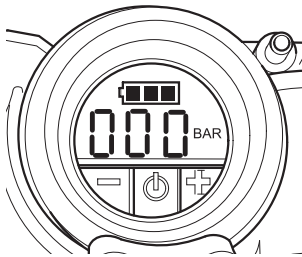
- ◆ Allungare sempre completamente il filo da 12 V c.a. prima di ciascun impiego.
- ◆ Collegare l'adattatore da 12 V c.c. (8) alla presa accessori da 12 V c.c. del veicolo.
- ◆ Regolare l'interruttore di accensione principale (1) sulla posizione di gonfiaggio (c) per alimentare il display LCD.

Alimentazione del display LCD mediante la batteria interna (funzionamento senza fili):

- ◆ Regolare l'interruttore di accensione principale (1) sulla posizione di gonfiaggio (c) per alimentare il display LCD.

Attenzione! Non lasciare che il compressore funzioni incustodito dato che potrebbe far scoppiare pneumatici o altri articoli.

Impostazione della pressione richiesta (fig. E)



Nota: Il display LCD visualizza le pressioni di gonfiaggio solo durante l'uso del compressore. Lo stato della batteria è visualizzato in continuazione.



Ricaricare.



Carica in corso.



Carica completa.

Nota: È necessario impostare la funzione di arresto automatico prima che il compressore possa funzionare (solo nella modalità di gonfiaggio).

- ◆ Per passare da un'unità di misura all'altra (bar, psi o kPa), premere contemporaneamente i pulsanti - e + (21, 23) fino a quando sono visualizzate le unità di misura richieste.
- ◆ Premere e tenere premuto uno dei pulsanti - e + (21, 23) per 3 secondi fino a quando il display lampeggia.

- ◆ Quando il display lampeggia, premere il pulsante - o + (21, 23) fino a quando è visualizzata la pressione richiesta.
- ◆ Dopo 3 secondi il display lampeggia e ritorna a una lettura di "0,00 bar / 0,0 psi / 0 KPA". Si tratta di un fatto normale.
- ◆ Collegare l'adattatore valvola universale (6) e un accessorio, se richiesto, all'articolo da gonfiare, verificando che la leva (19) sull'adattatore valvola sia abbassata e bloccata in sede.

Nota: Controllare che l'adattatore valvola universale sia montato correttamente sull'articolo da gonfiare.

- ◆ Per avviare il compressore premere il pulsante di alimentazione (22) sul display LCD.
- ◆ Quando l'articolo da gonfiare ha raggiunto il valore predefinito, il compressore si ferma automaticamente.

Nota: Si potrà notare che la lettura della pressione effettiva diminuisce dopo un paio di secondi; si tratta di un fatto normale.

- ◆ Per fermare il compressore in qualsiasi momento, premere il pulsante di alimentazione (22) sul display LCD.
- ◆ Rimuovere l'adattatore valvola o l'accessorio dall'articolo gonfiato e scollegare l'adattatore da 12 V c.c. (6) dalla presa accessori da 12 V c.c. del veicolo.
- ◆ Spegner l'interruttore di accensione principale (1) (b).

Nota: Se l'interruttore di accensione principale è spento, si perderanno tutte le impostazioni che dovranno essere reinserite seguendo le istruzioni al paragrafo "Impostazione della pressione richiesta". Si tratta di una caratteristica di sicurezza per evitare il rischio di un GONFIAGGIO ECCESSIVO degli articoli.

Utilizzo del compressore come manometro

- ◆ Regolare l'interruttore di accensione principale (1) sulla posizione di gonfiaggio (c, fig. E).
- ◆ Collegare l'adattatore valvola universale (6) all'articolo da controllare.
- ◆ Il display LCD visualizzerà la pressione dell'articolo.
- ◆ Dopo il controllo, spegnere l'interruttore di accensione principale (1) e rimettere il tubo di alimentazione dell'aria nel relativo vano.

Azionamento della pompa ad alta portata

Nota: Non far funzionare la pompa quando il motore del veicolo è acceso.

Nota: Verificare che la presa accessori da 12 V c.c. sia sotto tensione. Su alcuni veicoli, la presa accessori è sotto tensione solo quando la chiave di accensione si trova sulla posizione accessori.

Gonfiaggio con la pompa ad alta portata (per materassi ad aria, gommoni e materassini gonfiabili)

Nota: La modalità pompa NON è dotata di caratteristica di spegnimento automatico.

- ◆ Regolare l'interruttore di accensione principale (1) sulla posizione pompa (a, fig. E).
- ◆ Estrarre il tubo ad alta portata (7) dalla canalina portatubo attorno al centro dell'elettrotensile e collegarlo al collegamento di gonfiaggio della pompa ad alta portata (10) (fig. F).
- ◆ Infilare il tubo (con gli accessori se richiesto) nell'articolo da gonfiare.
- ◆ Per avviare la pompa premere l'interruttore di alimentazione (22) sul display LCD.
- ◆ Quando l'articolo è stato gonfiato come richiesto oppure per arrestare la pompa in qualsiasi momento, premere l'interruttore di alimentazione (22) sul display LCD.
- ◆ Scollegare il tubo dall'articolo e riporlo nell'elettrotensile.
- ◆ Spegner l'interruttore di accensione principale (1) (b, fig. E).

Sgonfiaggio con la pompa ad alta portata (per materassi ad aria, gommoni e materassini gonfiabili)

Nota: La modalità pompa NON è dotata di caratteristica di spegnimento automatico.

- ◆ Regolare l'interruttore di accensione principale (1) sulla posizione pompa (a, fig. E).
- ◆ Estrarre il tubo ad alta portata (7) dalla canalina portatubo attorno al centro dell'elettrotensile e collegarlo al collegamento di sgonfiaggio della pompa ad alta portata (4) (fig. F).
- ◆ Infilare il tubo (con gli accessori se richiesto) nell'articolo da sgonfiare.
- ◆ Per avviare la pompa premere l'interruttore di alimentazione (22) sul display LCD.
- ◆ Quando l'articolo è stato sgonfiato come richiesto oppure per arrestare la pompa in qualsiasi momento, premere l'interruttore di alimentazione (22) sul display LCD.
- ◆ Estrarre il tubo ad alta portata (7) dall'articolo e metterlo nella canalina portatubo attorno al centro dell'elettrotensile.
- ◆ Spegner l'interruttore di accensione principale (1) (b, fig. E).

Azionamento della luce a LED

Accensione della luce a LED (12)

- ◆ Regolare l'interruttore di accensione principale (1) sulla posizione di gonfiaggio (c, fig. E) o su quella della pompa (a, fig. E).
- ◆ Premere i pulsanti - o + (21, 23) sul display LCD (2) per accendere la luce a LED (12).

Spegnimento della luce a LED (12)

- ◆ Premere di nuovo i pulsanti - o + (21, 23).
- ◆ Spegner l'interruttore di accensione principale (1).

Modalità sleep per conservare la batteria

L'elettrotensile è dotato di modalità sleep che serve a prolungare la durata della batteria interna.

L'elettrotensile passa nella modalità sleep se non è usato per più di due minuti.

- ◆ Per accenderlo di nuovo, accendere e spegnere l'interruttore di accensione principale (1) oppure premere un qualsiasi pulsante sul display LCD (2).

Nota: All'uscita dalla modalità sleep, si perderanno tutte le impostazioni che dovranno essere reinserite seguendo le istruzioni al paragrafo "Impostazione della pressione richiesta".

Manutenzione

Questo apparecchio/elettrotensile Black & Decker con o senza filo è stato progettato per funzionare a lungo con una manutenzione minima. Per ottenere prestazioni sempre soddisfacenti occorre avere cura dell'apparecchio/elettrotensile e sottoporlo a pulizia periodica.

Attenzione! Prima di eseguire qualsiasi intervento di manutenzione sugli apparecchi/elettrotensili con o senza filo rispettare le istruzioni riportate di seguito.

- ◆ Spegner e scollegare l'apparecchio/elettrotensile dalla presa.
- ◆ Oppure spegnere ed estrarre la batteria se l'apparecchio/elettrotensile è dotato di battery pack a parte.
- ◆ Scollegare l'alimentatore prima di pulirlo. L'alimentatore non richiede nessuna manutenzione salvo una regolare pulizia.
- ◆ Pulire regolarmente le prese di ventilazione dell'apparecchio/elettrotensile/alimentatore con un pennello o con un panno morbido e asciutto.
- ◆ L'alloggiamento deve essere pulito regolarmente con un panno umido. Non usare materiali abrasivi o detergenti a base di solventi.
- ◆ Aprire regolarmente il mandrino e batterlo leggermente per eliminare la polvere dall'interno (se in dotazione).

Ricerca guasti

Problema	Possibile causa	Eventuale soluzione
Il compressore non funziona.	Batteria interna guasta.	Ricaricare la batteria.
	Adattatore da 12 V c.c. non collegato.	Collegare l'adattatore da 12 V c.c.
	Presi accessori non sotto tensione.	Portare la chiave sulla posizione accessori.
	Interruttore di accensione principale in posizione sbagliata.	Regolare l'interruttore sulla posizione richiesta.
	Non è stato impostato il valore pretarato.	Impostare il valore pretarato.
Il fusibile nell'adattatore da 12 V c.c. è bruciato.		Sostituire il fusibile con uno del medesimo tipo e potenza (8 A/250 V).
	Il filo di alimentazione o l'interruttore sono danneggiati.	Far sostituire il filo di alimentazione o l'interruttore presso un centro di assistenza o un rivenditore Black & Decker autorizzato.
Non gonfia.	È stata scelta la modalità sbagliata.	Selezionare la modalità corretta.
Display LCD non illuminato.	Elettrotensile in modalità sleep.	Premere qualsiasi pulsante sul display LCD oppure l'interruttore di accensione principale.

Sostituzione del fusibile nello spinotto per presa accessori c.c.

- ◆ Staccare la calotta ruotandola in senso antiorario.
- ◆ Togliere la calotta e la spina centrale.
- ◆ Estrarre il fusibile.
- ◆ Montare un nuovo fusibile del medesimo tipo e misura (8 A/250 V).
- ◆ Rimettere la calotta e la spina centrale.
- ◆ Serrare la calotta ruotandola in senso orario sullo spinotto.

Protezione dell'ambiente



Raccolta differenziata. Questo prodotto non deve essere smaltito con i normali rifiuti domestici.

Nel caso in cui l'elettrotensile Black & Decker debba essere sostituito o non sia più necessario, non smaltirlo con i normali rifiuti domestici. Metterlo da parte per la raccolta differenziata.



La raccolta differenziata dei prodotti e degli imballaggi utilizzati consente il riciclaggio dei materiali e il loro continuo utilizzo. Il riutilizzo dei materiali riciclati favorisce la protezione dell'ambiente prevenendo l'inquinamento e riduce il fabbisogno di materie prime.

Seguire la regolamentazione locale per la raccolta differenziata dei prodotti elettrici che può prevedere punti di raccolta o la consegna dell'elettrotensile al rivenditore presso il quale viene acquistato un nuovo prodotto.

Black & Decker offre ai propri clienti la possibilità di riciclare i prodotti Black & Decker che hanno esaurito la loro vita di servizio. Per usufruire di tale servizio, è sufficiente restituire il prodotto a qualsiasi tecnico autorizzato, incaricato della raccolta per conto dell'azienda.

Per individuare il tecnico autorizzato più vicino, rivolgersi alla sede Black & Decker locale, presso il recapito indicato nel presente manuale. Altrimenti, un elenco completo di tutti i tecnici autorizzati Black & Decker e i dettagli completi sui contatti e i servizi post-vendita sono disponibili su Internet all'indirizzo: www.2helpU.com.

Dati tecnici

ASI500 H1	
Tensione in ingresso	V c.c. 12
Corrente in ingresso	A 8
SLA (sigillata al piombo)	A/h 3,2
Pressione (max)	bar / psi / kPa 11,03 / 160 / 1103
Peso	kg 3.03

Alimentatore	
Ingresso	V c.a. 230
Erogazione	V c.c. 12
Corrente erogata	A 1

Garanzia

Certa della qualità dei suoi prodotti, Black & Decker offre una garanzia eccezionale. Il presente certificato di garanzia è complementare ai diritti legali e non li pregiudica in alcun modo. La garanzia è valida entro il territorio degli Stati membri dell'Unione Europea e dell'EFTA (European Free Trade Area).

Se un prodotto Black & Decker risulta difettoso per qualità del materiale, della costruzione o per mancata conformità entro 24 mesi dalla data di acquisto, Black & Decker garantisce la sostituzione delle parti difettose, provvede alla riparazione dei prodotti se ragionevolmente usurati oppure alla loro sostituzione, in modo da ridurre al minimo il disagio del cliente a meno che:

- ◆ il prodotto non sia stato destinato ad usi commerciali, professionali o al noleggio;
- ◆ il prodotto non sia stato usato in modo improprio o scorretto;
- ◆ il prodotto non abbia subito danni causati da oggetti o sostanze estranee oppure incidenti;
- ◆ il prodotto non abbia subito tentativi di riparazione non effettuati da tecnici autorizzati né dall'assistenza Black & Decker.

Per attivare la garanzia è necessario esibire la prova di acquisto al venditore o al tecnico autorizzato. Per individuare il tecnico autorizzato più vicino, rivolgersi alla sede Black & Decker locale, presso il recapito indicato nel presente manuale. Altrimenti, un elenco completo di tutti i tecnici autorizzati Black & Decker e i dettagli completi sui contatti e i servizi post-vendita sono disponibili su Internet all'indirizzo: **www.2helpU.com**.

I clienti che desiderano registrare il nuovo prodotto Black & Decker e ricevere gli aggiornamenti sui nuovi prodotti e le offerte speciali, sono invitati a visitare il sito Web **www.blackanddecker.it**. Ulteriori informazioni sul marchio e la gamma di prodotti Black & Decker sono disponibili all'indirizzo **www.blackanddecker.it**.

Beoogd gebruik

Deze pomp van Black & Decker is ontworpen voor snoerloos gebruik of met de standaard 12 V-gelijkstroomadapter van de meeste auto's voor het oppompen van auto- en fietsbanden, ballen, opblaasbootjes, luchtbedden, zwemluchtbedden, enzovoort. Het product is uitsluitend bestemd voor huishoudelijk consumentengebruik.

Veiligheidsinstructies

Waarschuwing! Bij apparaten voor gebruik op de accu moeten bepaalde elementaire voorzorgsmaatregelen, waaronder de navolgende, in acht worden genomen om het gevaar voor brand, elektrische schokken, persoonlijk letsel en materiële schade tot een minimum te beperken.

- ◆ Lees deze handleiding zorgvuldig door voordat u het apparaat in gebruik neemt.
- ◆ In deze handleiding wordt ingegaan op het beoogde gebruik.
- ◆ Het gebruik van andere accessoires of hulpstukken dan wel de uitvoering van andere handelingen dan in deze gebruikershandleiding worden aanbevolen, kan tot persoonlijk letsel leiden.
- ◆ Bewaar deze handleiding zorgvuldig zodat u deze altijd nog eens kunt raadplegen.

Gebruik van het apparaat

- ◆ Ga bij gebruik van het apparaat altijd voorzichtig te werk.
- ◆ Dompel het apparaat niet onder in water.
- ◆ Open de behuizing niet. Het apparaat bevat geen onderdelen die door de gebruiker kunnen worden gerepareerd.
- ◆ Gebruik het apparaat niet in een omgeving met explosiegevaar, zoals in de nabijheid van brandbare vloeistoffen, gassen of stof.
- ◆ Haal de stekker nooit uit het stopcontact door aan de kabel te trekken. Zo voorkomt u beschadiging aan de stekker of de kabel.

Na gebruik

- ◆ Bewaar het apparaat na gebruik op een droge, goed geventileerde plaats, buiten het bereik van kinderen.
- ◆ Zorg dat het bewaarde apparaat niet toegankelijk is voor kinderen.
- ◆ Wanneer het apparaat in de auto ligt, moet u het apparaat in de kofferruimte plaatsen of goed vastzetten, zodat het apparaat niet kan wegschieten bij plotselinge veranderingen in snelheid of richting.
- ◆ Bescherm het apparaat tegen direct zonlicht, hitte en vocht.

Inspectie en reparaties

- ◆ Controleer het apparaat vóór gebruik op beschadigingen en defecten. Controleer het vooral op gebroken onderdelen, schade aan de schakelaars en andere omstandigheden die de werking ervan kunnen beïnvloeden.
- ◆ Gebruik het apparaat niet in geval van een of meer beschadigde of defecte onderdelen.
- ◆ Laat beschadigde of defecte onderdelen door een van onze servicecentra repareren of vervangen.
- ◆ Probeer nooit andere onderdelen te verwijderen of vervangen dan in deze handleiding zijn vermeld.

Aanvullende veiligheidsinstructies voor pompen

- ◆ Uitsluitend voor thuisgebruik en gebruik bij auto's. U kunt auto- en fietsbanden, ballen, opblaasbootjes en nog veel meer in en rondom het huis oppompen.
- ◆ De gecompriëerde lucht van de pomp mag niet worden ingeademd. Adem nooit lucht in van deze pomp of van een ademapparaat dat op de pomp is aangesloten.
- ◆ Pomp objecten uitsluitend op volgens de aanbevelingen van de betreffende fabrikant. Als u de voorgeschreven druk overschrijdt, kan het object exploderen en persoonlijk letsel veroorzaken.
- ◆ Laat de pomp niet onbeheerd achter als deze aanstaat. In dat geval kunnen banden of andere objecten exploderen.
- ◆ De pomp kan gaan 'wandelen' door de trillingen die ontstaan als het apparaat aanstaat. Plaats het apparaat niet op een hoge plank of ander oppervlak. Plaats het apparaat alleen op de grond of op de werkbank.
- ◆ Maak geen aanpassingen aan het apparaat en probeer het niet te repareren. Boor of las niet in het apparaat en pas de pomp en de hulpstukken niet aan.
- ◆ Werk niet met de pomp terwijl de motor draait.
- ◆ Bedien het apparaat uitsluitend met de meegeleverde hulpstukken of hulpstukken die geschikt zijn voor 160 PSI/11,03 BAR/1103 KPA of hoger. Als u hulpstukken gebruikt die niet worden aanbevolen voor dit gereedschap, kan dat gevaar opleveren.
- ◆ Dit gereedschap is geen speelgoed. Hoge luchtdruk is gevaarlijk. Blaas de luchtstroom nooit in de richting van een persoon.
- ◆ De pomp wordt heet tijdens het gebruik. Laat de pomp 30 minuten afkoelen voordat u het apparaat opbergt.
- ◆ Draag de pomp nooit aan de slang.
- ◆ Wijs de spuitmond of slang niet in de richting van dieren of omstanders
- ◆ Berg de pomp buiten het bereik van kinderen op.

- ◆ De indicator van de drukmeter is uitsluitend bestemd als richtlijn. Controleer de bandendruk regelmatig bij een gecertificeerd apparaat voor het meten van de bandendruk.
- ◆ Controleer het netsnoer vóór gebruik op tekenen van beschadiging, veroudering en slijtage.
- ◆ Gebruik het apparaat niet als het netsnoer of de stekker defect of beschadigd is (indien van toepassing).

Veiligheid van anderen

- ◆ Dit apparaat mag niet worden gebruikt door personen (waaronder kinderen) die lichamelijk of geestelijk mindervalide zijn of die geen ervaring met of kennis van dit apparaat hebben, tenzij ze onder toezicht staan of instructies krijgen wat betreft het gebruik van het apparaat van een persoon die verantwoordelijk is voor hun veiligheid.
- ◆ Houd toezicht op kinderen om ervoor te zorgen dat zij niet met het apparaat gaan spelen.

Aanvullende veiligheidsinstructies voor accu's en laders

Accu's

- ◆ Probeer accu's niet te openen, om welke reden ook.
- ◆ Stel de accu niet bloot aan water.
- ◆ Stel de accu niet bloot aan hitte.
- ◆ Bewaar de accu niet op locaties met temperaturen die hoger zijn dan 40°C.
- ◆ Laad de accu alleen op bij een omgevingstemperatuur tussen 10 en 40°C.
- ◆ Gebruik alleen de lader die bij het gereedschap/apparaat is geleverd.
- ◆ Gooi lege accu's weg volgens de instructies in het gedeelte "Milieu".
- ◆ De accubehuizing mag niet worden beschadigd of vervormd door er gaten in te laten komen of ertegen aan te stoten, aangezien dit kan leiden tot letsel of brand.
- ◆ Laad beschadigde batterijen niet op.
- ◆ Onder extreme omstandigheden kunnen accu's lekkages vertonen. Wanneer de accu nat of vochtig is, veegt u de vloeistof voorzichtig af met een doek. Vermijd huidcontact.
- ◆ Bij huid- of oogcontact volgt u de onderstaande instructies.

Waarschuwing! De accuvloeistof kan letsel of materiële schade veroorzaken. Bij huidcontact moet u de vloeistof direct afspoelen met water. Raadpleeg uw huisarts als er rode vlekken ontstaan of bij een pijnlijke of geïrriteerde huid. Bij oogcontact moet u de vloeistof direct afspoelen met water en uw huisarts raadplegen.

Laders

De lader is ontworpen voor een specifieke spanning. Controleer altijd of de netspanning overeenkomt met de waarde op het typeplaatje.

Waarschuwing! Probeer nooit om de oplaadeenheid door een normale netstekker te vervangen.

- ◆ Gebruik de lader van Black & Decker alleen voor de accu in het gereedschap/apparaat waarbij de lader is bijgeleverd. Andere batterijen kunnen exploderen met letsel en materiële schade als gevolg.
- ◆ Niet-laadbare accu's mogen nooit worden opgeladen.
- ◆ Als het netsnoer is beschadigd, moet dit worden vervangen door de fabrikant of een Black & Decker-servicecentrum om gevaren te voorkomen.
- ◆ Stel de lader niet bloot aan water.
- ◆ Open de lader niet.
- ◆ Prik nooit met een scherp voorwerp in de lader.
- ◆ Laad het apparaat/het gereedschap/de accu in een goed geventileerde locatie op.

Elektrische veiligheid



De lader is dubbel geïsoleerd, zodat een aardaansluiting niet noodzakelijk is. Controleer altijd of de netspanning overeenkomt met de waarde op het typeplaatje.

- ◆ Als het netsnoer is beschadigd, moet dit worden vervangen door de fabrikant of een Black & Decker-servicecentrum om gevaren te voorkomen.
- ◆ Probeer nooit om de oplaadeenheid door een normale netstekker te vervangen.

Labels op het gereedschap

De volgende symbolen zijn op het apparaat aangegeven:



Lees de gebruikershandleiding voordat u de pomp gebruikt.



Houd het apparaat uit de buurt van regen en hoge luchtvochtigheid.



Verwijder altijd de stekker uit het stopcontact voordat u onderhouds- of reinigingswerkzaamheden aan het apparaat uitvoert.



Laat de pomp niet onbeheerd achter.

Onderdelen

1. Hoofdschakelaar
2. Lcd-scherm
3. Handgreep
4. Leegloopverbinding voor hoogvolume pomp
5. Luchtslang met universele ventieladapter
6. Universele ventieladapter
7. Hoogvolumeslang
8. 12 V-autoaansluiting
9. Stekkertje van lader
10. Opblaasaansluiting voor hoogvolume pomp
11. Aansluiting voor stekker
12. Ledlampje
13. Lader
14. Opslagruimte voor hulpstukken

Fig. A

15. Led van oplader

Voor gebruik (fig. A)

De interne accu moet 4 tot 5 uur worden opgeladen met de bijgeleverde wisselstroomlader (13).

- ◆ Plaats het stekker (9) in de aansluiting (11) voorop het apparaat.
- ◆ Sluit de wisselstroomlader (13) aan op het stroomnet.
- ◆ De led (15) op de wisselstroomlader (13) geeft het laadniveau aan. Bij rood wordt opgeladen, bij groen is het opladen voltooid.
- ◆ Als het apparaat volledig is opgeladen, verwijder de wisselstroomlader van het stroomnet en haalt u het stekker uit het apparaat.

Opmerking: Bewaar uw wisselstroomlader op een veilige plaats voor later gebruik.

Gebruik

Bewaren van slang en snoer (fig. B-D)

- ◆ Wikkel het 12 V-snoer (17) om de onderzijde van het apparaat en plaats de 12 V-adapter (8) in de opbergruimte (16) zoals getoond in fig. B. Draai de adapter 90° om deze vast te zetten.
- ◆ De luchtslang (5) bevindt zich in een kanaal (26) rond de bovenzijde van het apparaat (fig. C). Zorg ervoor dat de slang in de clips is geklikt en de hendel (19) zich in de opwaartse positie bevindt (fig. D).
- ◆ De hoogvolumeslang (7) is opgeslagen in een kanaal rond het midden van het apparaat en klikt aan beide uiteinden op zijn plaats. De hulpstukken (14) bevinden zich voorin het apparaat.

De hulpstukken plaatsen (fig. D, G-I)

Uw pomp is voorzien van de standaard taps toelopen spuitmond en de naaldspuitmond. Deze bevinden zich voorin het apparaat (14).

- ◆ Als u de universele ventieladapter (6) wilt gebruiken, zorg er dan voor dat de hendel (19) zich in de opwaartse positie bevindt.
- ◆ Plaats de universele ventieladapter (6) over de schacht van de naaldspuitmond of taps toelopen spuitmond (fig. D).
- ◆ Druk de hendel (19) op de universele ventieladapter (6) naar beneden om deze te vergrendelen.
- ◆ Steek de naaldspuitmond of de taps toelopen spuitmond in het object dat u wilt opblazen.

Opmerking: Zorg altijd dat de hendel omhoog staat als u het apparaat niet gebruikt. Gebruik de pomp alleen met de universele ventieladapter of met de meegeleverde spuitmond.

Opmerking: Zorg ervoor dat de universele ventieladapter stevig vastzit voordat u de pomp inschakelt.

Uw pomp is voorzien van een hoogvolumeadapter (24). Deze bevindt zich voorop het apparaat (fig. G).

- ◆ Om de hoogvolumeadapter (24) te gebruiken, verwijder de deze van de opblaasaansluiting voor de hoogvolume pomp (10).
- ◆ Haal de hoogvolumeslang (7) uit de opbergruimte.
- ◆ Verwijder de taps toelopen spuitmond (18) van het uiteinde van de hoogvolumeslang (7).
- ◆ Verbind de hoogvolumeadapter (24) met het uiteinde van de hoogvolumeslang (fig. H).

Veel opblaasbare objecten, vooral luchtbedden, hebben een interne klep waardoor er tijdens het opblazen geen lucht kan ontsnappen. Als deze klep niet opzij wordt gedrukt door de spuitmond, wordt het opblaasbare object niet opgeblazen. Druk de spuitmond stevig in het ventiel om ervoor te zorgen dat de klep opzij wordt gedrukt.

Waarschuwing! Bij een te grote luchtdruk bestaat het gevaar dat het object uit elkaar klappt of dat iemand gewond raakt. Let op de maximale druk voor opblaasbare objecten. Deze druk wordt aangegeven door de fabrikant.

Opmerking: Let op: als de drukspecificatie van het op te blazen object hoger is dan 100 PSI/6,89 BAR/689 KPA, is de maximale looptijd 10 minuten. Laat het apparaat 20 minuten rusten voor het opnieuw wordt gebruikt.

De pomp bedienen (fig. E)

Waarschuwing! Werk niet met de pomp terwijl de motor van de auto draait.

Opmerking: Zorg ervoor dat er spanning op het 12 V-aansluitpunt voor de sigarettenaansteker staat. Voor sommige auto's is het nodig dat de sleutel in de accessoirestand wordt gezet voordat het aansluitpunt onder spanning komt te staan.

Het display vanaf de 12 V-adapter aanzetten:

- ◆ Zorg er voor dat de 12 V-stroomkabel volledig is uitgerold voordat u de kabel gebruikt.

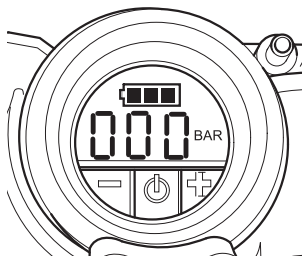
- ◆ Verbind de 12 V-adapter (8) met het 12 V-aansluitpunt voor de sigarettenaansteker van uw auto.
- ◆ Schakel de hoofdschakelaar (1) in de opblaaspositie (c) om het lcd-scherm aan te zetten.

Het lcd-scherm vanaf de interne accu aanzetten (draadloze werking):

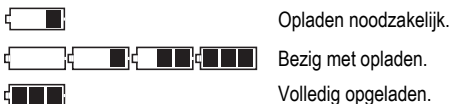
- ◆ Schakel de hoofdschakelaar (1) in de opblaaspositie (c) om het lcd-scherm aan te zetten.

Waarschuwing! Laat de pomp niet onbeheerd achter als deze aanstaat. In dat geval kunnen banden of andere objecten exploderen.

De gewenste druk instellen (fig. E)



Opmerking: Het lcd-scherm toont alleen de opblaasdruk als de pomp in gebruik is. De accustatus wordt altijd getoond.



Opmerking: U moet de automatische uitschakelfunctie instellen voordat het apparaat gaat werken (alleen opblaasmodus).

- ◆ Om tussen de verschillende eenheden te schakelen (PSI, BAR of KPA) drukt u de knoppen - & + (21, 23) tegelijkertijd in tot de gewenste eenheden worden getoond.
- ◆ Druk een van de knoppen - & + (21, 23) in en houd deze 3 seconden vast tot het display gaat knipperen.
- ◆ Terwijl het display knippert, drukt u op de knop - of + (21, 23) totdat de gewenste druk wordt weergegeven.
- ◆ Na 3 seconden gaat het display knipperen en keert het terug naar een waarde van "0.0 PSI/0.00 BAR/0 KPA". Dit is normaal.
- ◆ Verbind de universele ventieladapter (6) en indien nodig een accessoire met het op te blazen object. Zorg ervoor dat de hendel (19) van de ventieladapter zich in de neerwaartse positie bevindt om deze op zijn plaats te vergrendelen.

Opmerking: Zorg ervoor dat de universele ventieladapter op de juiste wijze met het op te blazen object is verbonden.

- ◆ Druk om de pomp te starten op de aan/uit-knop (22) op het lcd-scherm.
- ◆ Als het op te blazen object de vooraf ingestelde waarde heeft bereikt, stopt het apparaat automatisch.

Opmerking: De feitelijke drukwaarde kan na enkele seconden zakken; dit is normaal.

- ◆ Als u de pomp op enig moment wilt stoppen, drukt u op de aan/uit-knop (22) op het lcd-scherm.
 - ◆ Verwijder de ventieladapter of de accessoire van het opgeblazen object en verwijder de 12 V-adapter (6) van het 12 V-aansluitpunt voor de sigarettenaansteker van uw auto.
 - ◆ Draai de hoofdschakelaar (1) naar de uit-positie (b).
- Opmerking:** Als de hoofdschakelaar is uitgeschakeld, gaan alle instellingen verloren. Deze moeten opnieuw worden ingevoerd volgens de instructies onder de kop "De gewenste druk instellen". Dit is een veiligheidsfunctie die voorkomt dat objecten TE HARD WORDEN OPGEBLAZEN.

De pomp als drukmeter gebruiken

- ◆ Schakel de hoofdschakelaar (1) in de opblaaspositie (c fig. E).
- ◆ Verbind de universele ventieladapter (6) met het te controleren object.
- ◆ Het lcd-scherm toont de druk van het object.
- ◆ Schakel na de controle de hoofdschakelaar (1) uit en berg de luchtslang weer in de opbergruimte op.

Bedienen van de hoogvolumepomp

Opmerking: Bedien de pomp niet terwijl de motor van de auto loopt.

Opmerking: Zorg ervoor dat er spanning op het 12 V-aansluitpunt voor de sigarettenaansteker staat. Voor sommige auto's is het nodig dat de sleutel in de accessoirestand wordt gezet voordat het aansluitpunt onder spanning komt te staan.

Opblazen met de hoogvolumepomp (bijv. luchtbedden, opblaasbootjes, zwemluchtbedden):

Opmerking: De pompmodus heeft GEEN automatische uitschakelfunctie.

- ◆ Schakel de hoofdschakelaar (1) in de pompositie (a, fig. E).
- ◆ Haal de hoogvolumeslang (7) uit het kanaal rond het midden van het apparaat en verbind het met de opblaasverbinding van de hoogvolumepomp (10) (fig. F).
- ◆ Plaats de slang (indien nodig met hulpstukken) in het op te blazen object.
- ◆ Druk om de pomp te starten op de aan/uit-schakelaar (22) op het lcd-scherm.

- ◆ Als het object naar wens is opgeblazen of om de pomp op enig moment te stoppen, drukt u de aan/uit-schakelaar (22) op het lcd-scherm in.
- ◆ Verwijder de slang van het object en berg deze in het apparaat op.
- ◆ Draai de hoofdschakelaar (1) naar de uit-positie (b fig. E).

Objecten leeg laten lopen met de hoogvolumepomp (bijv. luchtbedden, opblaasbootjes, zwemluchtbedden):

Opmerking: De pompmodus heeft GEEN automatische uitschakelfunctie.

- ◆ Schakel de hoofdschakelaar (1) naar de pompositie (a fig. E).
- ◆ Haal de hoogvolumeslang (7) uit het kanaal rond het midden van het apparaat en verbind deze met de leegloopverbinding van de hoogvolumepomp (4) (fig. F).
- ◆ Plaats de slang (indien nodig met hulpstukken) in het op te blazen object.
- ◆ Druk om de pomp te starten op de aan/uit-schakelaar (22) op het lcd-scherm.
- ◆ Als het object is leeggelopen of om de pomp op enig moment te stoppen, druk u de aan/uit-schakelaar (22) op het lcd-scherm in.
- ◆ Verwijder de hoogvolumeslang (7) uit het object en berg deze op in het kanaal rond het midden van het apparaat.
- ◆ Draai de hoofdschakelaar (1) naar de uit-positie (b fig. E).

De ledlamp bedienen

De ledlamp (12) inschakelen:

- ◆ Schakel de hoofdschakelaar (1) naar de opblaas-(c fig. E) of de pompositie (a fig. E).
- ◆ Druk op de knoppen - of + (21, 23) op het lcd-scherm (2) om de ledverlichting (12) in te schakelen.

De ledverlichting (12) uitschakelen:

- ◆ Druk weer op de knoppen - of + (21, 23).
- ◆ Schakel de hoofdschakelaar (1) uit.

Slaapmodus voor een langere levensduur van de accu

De eenheid is voorzien van een slaapmodusfunctie die de levensduur van de interne accu helpt verlengen.

Als het apparaat meer dan twee minuten ongebruikt aanstaat, schakelt het apparaat over op de slaapmodus.

- ◆ Om het apparaat weer in te schakelen, schakelt u de hoofdschakelaar (1) in en uit of drukt u op een willekeurige knop op het lcd-scherm. (2).

Opmerking: Na de slaapmodus zijn alle instellingen verloren gegaan en moeten deze opnieuw worden ingevoerd volgens de instructies onder de kop "De gewenste druk instellen".

Onderhoud

Uw Black & Decker-gereedschap/apparaat (met netsnoer/snoerloos) is ontworpen om gedurende langere periode te functioneren met een minimum aan onderhoud. U kunt het gereedschap/apparaat naar volle tevredenheid blijven gebruiken als u voor correct onderhoud zorgt en het gereedschap/apparaat regelmatig schoonmaakt.

Waarschuwing! Voordat onderhoud op gereedschappen/apparaten (met netsnoer/snoerloos) wordt uitgevoerd:

- ◆ Schakel het gereedschap/apparaat uit.
- ◆ Als het gereedschap/apparaat een afzonderlijke accu heeft, schakelt u het gereedschap/apparaat uit en haalt u de accu eruit.
- ◆ Neem de lader uit het stopcontact voordat u deze schoonmaakt. Naast regelmatige reiniging vereist de lader geen onderhoud.
- ◆ Reinig regelmatig de ventilatieopeningen van het gereedschap/apparaat/lader met een zachte borstel of droge doek.
- ◆ Reinig de behuizing regelmatig met een vochtige doek. Gebruik geen schuur- of oplosmiddel.
- ◆ Open regelmatig de spanknop en tik erop om eventueel stof uit het binnenste te verwijderen (indien van toepassing).

Problemen oplossen

Probleem	Mogelijke oorzaak	Mogelijke oplossing
De pomp werkt niet.	Fout aan de interne accu. 12 V-adapter niet verbonden. Aansluitpunt voor sigaretten-aansteker niet onder spanning.	Laad de accu opnieuw op. Verbind de 12 V-adapter. Draai de contactsleutel in de accessoirestand
	AAN/UIT-hoofdschakelaar niet in de juiste positie. Geen vooraf ingestelde waarde ingesteld. De zekering van de 12 V-adapter is gesprongen. De kabel of schakelaar is beschadigd.	Draai de hoofdschakelaar in de gewenste positie. Stel een waarde in. Vervang de zekering door een zekering van hetzelfde formaat en type (8A/250V). Zorg ervoor dat de kabel of de schakelaar wordt vervangen bij een Black & Decker-servicecentrum of een geautoriseerd servicecentrum.
Opblazen werkt niet.	Onjuiste modus geselecteerd.	Selecteer de juiste modus.
Lcd niet verlicht.	Apparaat staat in slaapmodus.	Druk op een willekeurige knop op het lcd-scherm of op de aan/uit-hoofdschakelaar.

De zekering in het stopcontact voor gelijkstroomhulpmiddelen van de auto vervangen

- ◆ Draai de kap linksom om deze te verwijderen.
- ◆ Verwijder de kap en de centrale pin.
- ◆ Verwijder de zekering.
- ◆ Plaats een nieuwe zekering van hetzelfde type en formaat (8A/250V).
- ◆ Plaats de dop en de centrale pin.
- ◆ Draai de kap rechtsom om deze op de stekker te vast te zetten.

Milieu



Aparte inzameling. Dit product mag niet met normaal huishoudelijk afval worden weggegooid.

Mocht u op een dag constateren dat het Black & Decker-product aan vervanging toe is of dat u het apparaat niet meer nodig hebt, gooi het product dan niet bij het restafval. Het product valt onder de categorie voor elektrische apparaten.



Gescheiden inzameling van gebruikte producten en verpakkingsmaterialen maakt het mogelijk materialen te recyclen en opnieuw te gebruiken. Hergebruik van gerecycleerde materialen zorgt voor minder milieuvervuiling en dringt de vraag naar grondstoffen terug.

Plaatselijke verordeningen kunnen voorzien in gescheiden inzameling van huishoudelijke elektrische producten via gemeentelijke stortplaatsen of via de leverancier bij wie u een nieuw product aanschaft.

Black & Decker biedt de mogelijkheid tot het recyclen van afgedankte Black & Decker-producten. Om gebruik te maken van deze service, dient u het product naar een van onze servicecentra te sturen, die de inzameling voor ons verzorgen.

U kunt het adres van het dichtstbijzijnde servicecentrum opvragen via de adressen op de achterzijde van deze handleiding. U kunt ook een lijst van onze servicecentra en meer informatie m.b.t. onze klantenservice vinden op het volgende internetadres: www.2helpU.com.

Technische gegevens

ASI500 H1	
Ingangsspanning	Vdc 12
Ingangsstroom	A 8
SLA (afgedicht loodzuur)	Ah 3,2
Druk (max.)	PSI/BAR/KPA 160/11,03/1103
Gewicht	kg 3.03

Lader	
Ingangsspanning	Vac 230
Uitgangsspanning	Vdc 12
Uitgangsstroom	A 1

Garantie

Black & Decker heeft vertrouwen in haar producten en biedt een uitstekende garantie. Deze garantiebepalingen vormen een aanvulling op uw wettelijke rechten en beperken deze niet. De garantie geldt in de lidstaten van de Europese Unie en de Europese Vrijhandelsassociatie.

Mocht uw Black & Decker-product binnen 24 maanden na de datum van aankoop defect raken ten gevolge van materiaal- of constructiefouten, dan garanderen wij de kosteloze vervanging van defecte onderdelen, de reparatie van het product of de vervanging van het product, tenzij:

- ◆ Het product is gebruikt voor handelsdoeleinden, professionele toepassingen of verhuurdoeleinden;
- ◆ Het product onoordeelkundig is gebruikt;
- ◆ Het product is beschadigd door invloeden van buitenaf of door een ongeval;
- ◆ Reparaties zijn uitgevoerd door anderen dan onze servicecentra of Black & Decker-personeel.

Om een beroep te doen op de garantie, dient u een aankoopbewijs te overhandigen aan de verkoper of een van onze servicecentra. U kunt het adres van het dichtstbijzijnde servicecentrum opvragen via de adressen op de achterzijde van deze handleiding. U kunt ook een lijst van onze servicecentra en meer informatie m.b.t. onze klantenservice vinden op het volgende internetadres: **www.2helpU.com**.

Meld u aan op onze website **www.blackanddecker.nl** om te worden geïnformeerd over nieuwe producten en speciale aanbiedingen. Verdere informatie over het merk Black & Decker en onze producten vindt u op **www.blackanddecker.nl**.

Uso previsto

La estación de inflado de Black & Decker está diseñada para utilizarse en la mayoría de vehículos de manera inalámbrica con una toma de cc de 12 V estándar para inflar neumáticos de automóviles y bicicletas, balones, lanchas, colchones inflables y flotadores, etc. Este producto está pensado únicamente para uso doméstico.

Instrucciones de seguridad

¡Atención! Si utiliza aparatos alimentados por batería, es necesario seguir las precauciones de seguridad básicas, incluidas las que se indican a continuación, para reducir el riesgo de incendios, descargas eléctricas, lesiones y daños materiales.

- ◆ Lea todo el manual detenidamente antes de utilizar el aparato.
- ◆ En este manual se describe el uso para el que se ha diseñado el aparato.
- ◆ La utilización de accesorios o la realización de operaciones distintas de las recomendadas en este manual de instrucciones puede presentar un riesgo de lesiones.
- ◆ Conserve este manual para futuras consultas.

Utilización del aparato

- ◆ Tenga mucho cuidado al utilizar el aparato.
- ◆ No introduzca el aparato en agua.
- ◆ No abra la carcasa. Las piezas del interior del aparato no pueden ser reparadas por parte del usuario.
- ◆ No utilice el aparato en un entorno con peligro de explosión, en el que se encuentren líquidos, gases o material en polvo inflamable.
- ◆ Para evitar dañar las clavijas y los cables, no tire del cable para extraer la clavija de la toma de corriente.

Después de la utilización

- ◆ Cuando el aparato no esté en uso, deberá guardarse en un lugar seco, bien ventilado y lejos del alcance de los niños.
- ◆ Los niños no deben tener acceso a los aparatos guardados.
- ◆ Cuando se guarde o transporte el aparato en un vehículo, deberá colocarse en el maletero o asegurarse para evitar movimientos producidos por cambios repentinos en la velocidad o la dirección.
- ◆ El aparato debe protegerse de la luz directa del sol, el calor y la humedad.

Inspecciones y reparaciones

- ◆ Antes de utilizarlo, compruebe que el aparato no tiene piezas dañadas o defectuosas. Compruebe que no hay piezas rotas, que los interruptores no están dañados y que no existen otros defectos que puedan afectar al funcionamiento del aparato.
- ◆ No utilice el aparato si presenta alguna pieza dañada o defectuosa.
- ◆ Solicite al servicio técnico autorizado la reparación o sustitución de las piezas dañadas o defectuosas.
- ◆ Nunca intente extraer ni sustituir piezas no especificadas en este manual.

Instrucciones de seguridad adicionales para compresores de inflado

- ◆ Para uso doméstico y en el vehículo. Infle, tanto en interiores como en exteriores, los neumáticos de la bicicleta y el coche, balones, flotadores y muchos otros objetos.
- ◆ El aire comprimido del compresor de inflado no se debe respirar. Jamás inhale aire del compresor de inflado o de un dispositivo de inhalación conectado al compresor.
- ◆ Infle solamente artículos recomendados por el fabricante. Si se supera el nivel de presión indicado, se podría ocasionar una explosión que provocara lesiones personales.
- ◆ No deje el compresor de inflado en funcionamiento sin vigilancia. Los neumáticos u otros artículos podrían estallar.
- ◆ No utilice el compresor de inflado en estantes elevados o superficies similares, ya que la vibración que genera el aparato puede llegar a desplazarlo. Utilícelo únicamente en el suelo o encima de una mesa de trabajo.
- ◆ No modifique el aparato ni intente repararlo. No realice ninguna perforación, soldadura o modificación en el compresor de inflado o sus accesorios.
- ◆ No utilice el compresor de inflado cuando el motor del automóvil esté en funcionamiento.
- ◆ Utilícelo sólo con los accesorios suministrados o con accesorios de 160 p.s.i./11,03 bares/1,103 kPa de presión como mínimo. El uso de esta herramienta con cualquier accesorio no recomendado podría resultar peligroso.
- ◆ No juegue con la herramienta. El aire de alta presión es peligroso. No dirija el flujo de aire hacia sí o hacia otras personas.
- ◆ Es posible que, al utilizarlo, el compresor de inflado se caliente. Déjelo enfriar durante 30 minutos antes de guardarlo.
- ◆ No coja nunca el compresor de inflado por la manguera.
- ◆ No dirija la boquilla ni la manguera a ninguna persona o animal.

- ◆ Guarde el compresor de inflado fuera del alcance de los niños.
- ◆ El medidor suministra información orientativa. La presión de los neumáticos debe revisarse periódicamente con un medidor certificado.
- ◆ Antes de utilizar el cable de alimentación, compruebe que no está dañado, gastado o deteriorado.
- ◆ No utilice el aparato si el cable de alimentación o el enchufe está dañado o es defectuoso (en los casos en los que esta recomendación sea aplicable).

La seguridad de terceros

- ◆ Ninguna persona (incluyendo niños) con capacidades físicas, sensoriales o mentales disminuidas, o que carezca de experiencia y conocimientos, debe utilizar este aparato, salvo que haya recibido supervisión o formación con respecto al uso del aparato por parte de una persona responsable de su seguridad.
- ◆ Los niños deben vigilarse en todo momento para garantizar que el aparato no se toma como elemento de juego.

Instrucciones de seguridad adicionales para baterías y cargadores

Baterías

- ◆ No intente abrirlas bajo ningún concepto.
- ◆ No exponga la batería al agua.
- ◆ No exponga la batería al calor.
- ◆ No guarde la batería en lugares en los que la temperatura pueda superar los 40 °C.
- ◆ Realice la carga únicamente a una temperatura ambiente de entre 10 °C y 40 °C.
- ◆ Utilice únicamente el cargador suministrado con el aparato o la herramienta para realizar la carga.
- ◆ Para desechar las baterías, siga las instrucciones facilitadas en la sección "Protección del medio ambiente".
- ◆ No dañe ni deforme la batería mediante perforaciones o golpes, ya que puede suponer un riesgo de incendio y de lesiones.
- ◆ No cargue baterías dañadas.
- ◆ Es posible que se produzcan fugas en las baterías en condiciones extremas. Cuando observe que se producen fugas en las baterías, limpie cuidadosamente el líquido con un paño. Evite el contacto con la piel.
- ◆ En caso de que se produzca contacto con la piel o los ojos, siga las instrucciones facilitadas a continuación.

¡Atención! El líquido de las baterías puede provocar lesiones personales o daños materiales. En caso de que se produzca contacto con la piel, lave la zona con agua inmediatamente. Si se produce enrojecimiento, dolor o irritación, solicite atención médica. En caso de contacto con los ojos, lave la zona inmediatamente con agua limpia y solicite atención médica.

Cargadores

El cargador se ha diseñado para un voltaje específico. Cada vez que utilice el aparato, debe comprobar que el voltaje de la red eléctrica corresponde con el valor indicado en la placa de características.

¡Atención! No intente sustituir el cargador por un enchufe convencional para la red eléctrica.

- ◆ Para cargar la batería del aparato o herramienta, utilice únicamente el cargador Black & Decker suministrado. En caso de intentar cargar otras baterías, estas podrían explotar, lo que podría provocar lesiones y daños personales.
- ◆ Nunca intente cargar baterías no recargables.
- ◆ Si se dañara el cable de alimentación, deberá ser sustituido por el fabricante o por un centro de asistencia técnica autorizado de Black & Decker para evitar cualquier situación de riesgo.
- ◆ No exponga el cargador al agua.
- ◆ No abra el cargador.
- ◆ No aplique ningún dispositivo para medir la resistencia del cargador.
- ◆ El aparato, la herramienta o la batería debe colocarse en una zona bien ventilada durante la carga.

Seguridad eléctrica



El cargador está provisto de doble aislamiento, por lo que no requiere una toma de tierra. Cada vez que utilice el aparato, debe comprobar que el voltaje de la red eléctrica corresponde con el valor indicado en la placa de características.

- ◆ Si se dañara el cable de alimentación, deberá ser sustituido por el fabricante o por un centro de asistencia técnica autorizado de Black & Decker para evitar cualquier situación de riesgo.
- ◆ No intente sustituir el cargador por un enchufe convencional para la red eléctrica.

Etiquetas en las herramientas

Encontrará los siguientes símbolos en la herramienta:



Lea el manual de instrucciones antes de utilizar el compresor de inflado.



No exponga el aparato a la lluvia ni a la humedad.



Antes de realizar el mantenimiento o limpieza del aparato, debe desconectar el cable de alimentación.



No deje el compresor de inflado sin vigilancia.

Características

1. Interruptor principal
2. LCD
3. Asa de transporte
4. Conexión para desinflar la bomba a gran volumen
5. Manguera de aire con adaptador de válvula universal
6. Adaptador de válvula universal
7. Manguera de gran volumen
8. Conector de cc de 12 V para vehículos
9. Conector de la toma del cargador
10. Conexión para inflar la bomba a gran volumen
11. Toma del conector
12. Luz LED
13. Cargador
14. Compartimiento de almacenamiento de accesorios

Fig. A

15. LED de carga

Antes de utilizar el aparato (fig. A)

La batería interna se debe recargar durante 4 o 5 horas mediante el cargador de CA (13) suministrado.

- ◆ Introduzca el conector de la toma (9) en la toma del conector (11) situado en la parte delantera de la unidad.
- ◆ Enchufe el cargador de ca (13) en la fuente de alimentación.
- ◆ El LED (15) del cargador de CA (13) indicará el nivel de carga. Rojo, unidad cargándose, verde, unidad cargada.
- ◆ Cuando esté completamente cargada, extraiga el cargador de ca de la toma de corriente y extraiga la toma de la unidad.

Nota: Guarde el cargador de ca en un lugar seguro para usos posteriores.

Uso

Manguera y espacio de almacenamiento del cable (figs. B - D)

- ◆ Enrolle el cable de 12 V de cc (17) alrededor de la base de la unidad y coloque el adaptador de 12 V de cc (8) en el espacio de almacenamiento (16) tal como se muestra en la fig. B y, a continuación, gírelo a 90° para colocarlo en su lugar.
- ◆ La manguera de aire (5) está situada en un canal de almacenamiento (26) situado alrededor de la parte superior de la unidad (fig. C); asegúrese de que la manguera está encajada en las pinzas de fijación y que la palanca (19) se encuentra levantada (fig. D).
- ◆ La manguera de gran volumen (7) se guarda en un canal de almacenamiento situado alrededor del centro de la unidad y se encaja en ambos extremos.

Los accesorios (14) se guardan en la parte delantera de la unidad.

Ajuste de los accesorios (figs. D, G e I)

El compresor de inflado se suministra con inyectores cónicos estándar y con un inyector de compresor de inflado de aguja, que se encuentran en la parte delantera de la unidad (14).

- ◆ Para utilizar el adaptador de válvula universal (6), compruebe que la palanca (19) se encuentra levantada.
- ◆ Coloque el adaptador de válvula universal (6) en el vástago de la aguja de inflado o del inyector cónico (fig. D).
- ◆ Baje la palanca (19) del adaptador de válvula universal (6) hasta que encaje.
- ◆ Coloque la aguja de inflado o el inyector cónico en el objeto que desee inflar.

Nota: Compruebe siempre que la palanca se encuentra levantada cuando no la esté utilizando. Utilice el compresor de inflado solamente con el adaptador universal o las boquillas suministradas.

Nota: Asegúrese de que el adaptador de válvula universal encaja firmemente antes de encender el compresor.

El compresor de inflado se suministra con un adaptador de gran volumen (24). Se guarda en la parte delantera de la unidad (fig. G).

- ◆ Para utilizar el adaptador de gran volumen (24), extraígallo de la conexión de inflado de gran volumen (10).
- ◆ Extraiga la manguera de gran volumen (7) del espacio de almacenamiento.
- ◆ Extraiga el inyector cónico (18) del extremo de la manguera de gran volumen (7).
- ◆ Coloque el adaptador de gran volumen (24) en el extremo de la manguera de gran volumen (fig. H).

Muchos artículos inflables disponen de una solapa interna que evita que se pierda aire durante el inflado, especialmente los colchones inflables. A menos que el inyector desplace esta solapa, el artículo inflable no se inflará. Empuje firmemente el inyector en la válvula para asegurarse de que retira esta solapa.

¡Atención! Una presión de aire excesiva puede producir peligro de explosión o daños personales. Compruebe la indicación de presión máxima del fabricante de los artículos que se están inflando.

Nota: Si la presión máxima del artículo que se está inflando es superior a 100 psi/6,89 bar/689 kPa, deberá inflar por un máximo de 10 minutos y dejarlo reposar 20 minutos antes de volver a utilizarlo.

Uso del compresor de inflado (fig. E)

¡Atención! No utilice el compresor de inflado cuando el motor del automóvil esté en funcionamiento.

Nota: Asegúrese de que la toma accesoria de 12 V de cc esté activa. En algunos vehículos, es posible que deba ajustarse la llave en la posición de contacto para que se active la toma de corriente.

Para encender la pantalla desde el adaptador de 12 V de cc: Antes de utilizar el aparato, extienda completamente el cable de 12 V de cc.

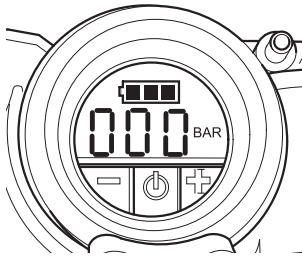
- ◆ Conecte el adaptador de 12 V de cc (8) en la toma accesoria de 12 V de cc del vehículo.
- ◆ Coloque el interruptor principal (1) en la posición de inflado (c) para encender el LCD.

Para encender el LCD desde la batería interna (modo inalámbrico):

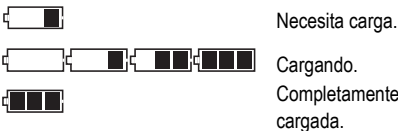
- ◆ Coloque el interruptor principal (1) en la posición de inflado (c) para encender el LCD.

¡Atención! No deje el compresor de inflado en funcionamiento sin vigilancia. Los neumáticos u otros artículos podrían estallar.

Ajuste de la presión necesaria (fig. E)



Nota: El LCD solo mostrará la presión de inflado cuando el compresor de inflado se esté utilizando. El estado de la batería se mostrará en todo momento.



Nota: Debe ajustar la función de apagado automático antes de que la unidad empiece a funcionar (solo para el modo de inflado).

- ◆ Para cambiar entre las distintas unidades (psi, bar o kPa), pulse los botones - y + (21, 23) simultáneamente hasta que se muestren las unidades deseadas.

- ◆ Mantenga pulsados los botones - y + (21, 23) durante 3 segundos hasta que parpadee la pantalla.
- ◆ Mientras parpadea la pantalla, pulse los botones - o + (21, 23) hasta que se muestre la presión deseada.
- ◆ Transcurridos 3 segundos, la pantalla parpadeará y volverá a mostrar la lectura "0.0 PSI / 0.00 BAR / 0 KPA". Esto es normal.
- ◆ Conecte el adaptador de válvula universal (6) y los accesorios, si fuera necesario, al artículo que desea inflar, asegurándose de que la palanca (19) del adaptador de válvula se encuentra hacia abajo y bloqueada.

Nota: Compruebe que el adaptador de válvula universal se encuentra correctamente colocado en el artículo que se desea inflar.

- ◆ Para iniciar el compresor de inflado, pulse el botón de encendido (22) del LCD.
- ◆ Cuando el artículo que debía inflar haya alcanzado el valor preajustado, la unidad se detendrá automáticamente.

Nota: Es posible que note que la lectura real de la presión sea menor tras unos segundos. Esto es normal.

- ◆ Para detener el compresor de inflado en cualquier momento, pulse el botón de encendido (22) del LCD.
- ◆ Retire el adaptador de válvula o accesorio del artículo inflado y el adaptador de 12 V de cc (6) de la toma accesoria de 12 V de cc del vehículo.
- ◆ Coloque el interruptor principal (1) en la posición de apagado (b).

Nota: Si se desconecta el interruptor principal, se perderán todos los ajustes y deberán volverse a introducir siguiendo las instrucciones que se incluyen en el apartado titulado "Ajuste de la presión necesaria". Se trata de una medida de seguridad para evitar el riesgo de que los elementos SE INFLEN DEMASIADO.

Uso del compresor de inflado como indicador de presión

- ◆ Coloque el interruptor principal (1) en la posición de inflado (c) fig. E).
- ◆ Conecte el adaptador de válvula universal (6) para comprobar el artículo.
- ◆ El LCD mostrará la presión de los artículos.
- ◆ Después de realizar la comprobación, desconecte el interruptor principal (1) y vuelva a colocar la manguera en su espacio de almacenamiento.

Funcionamiento de la bomba a gran volumen

Nota: No utilice la bomba cuando el motor del automóvil esté en funcionamiento.

Nota: Asegúrese de que la toma accesoria de 12 V de cc esté activa. En algunos vehículos, es posible que deba

ajustarse la llave en la posición de contacto para que se active la toma de corriente.

Para inflar con la bomba de gran volumen (por ejemplo, colchones inflables, lanchas, flotadores):

Nota: El modo de bomba NO dispone de una función de apagado automático.

- ◆ Coloque el interruptor principal (1) en la posición de bomba (c, fig. E).
- ◆ Extraiga la manguera de gran volumen (7) del canal de almacenamiento situado alrededor del centro de la unidad y conéctela a la conexión para inflar la bomba a gran volumen (10) (fig. F).
- ◆ Introduzca la manguera (con accesorios si fuera necesario) al objeto que se desea inflar.
- ◆ Para iniciar la bomba, pulse el interruptor de encendido (22) del LCD.
- ◆ Cuando el elemento se ha inflado como se deseaba o para detener la bomba, pulse el interruptor de encendido (22) del LCD.
- ◆ Extraiga la manguera del artículo y guárdelo en la unidad.
- ◆ Coloque el interruptor principal (1) en la posición de apagado (b) fig. E).

Para desinflar con la bomba de gran volumen

(por ejemplo, colchones inflables, lanchas, flotadores):

Nota: El modo de bomba NO dispone de una función de apagado automático.

- ◆ Coloque el interruptor principal (1) en la posición de bomba (a fig. E).
- ◆ Extraiga la manguera de gran volumen (7) del canal de almacenamiento situado alrededor del centro de la unidad y conéctela a la conexión para desinflar la bomba a gran volumen (4) (fig. F).
- ◆ Introduzca la manguera (con accesorios si fuera necesario) en el artículo que se desea desinflar.
- ◆ Para iniciar la bomba, pulse el interruptor de encendido (22) del LCD.
- ◆ Cuando el elemento se ha desinflado como se deseaba o para detener la bomba, pulse el interruptor de encendido (22) del LCD.
- ◆ Extraiga la manguera de gran volumen (7) del artículo y guárdela en el canal de almacenamiento situado alrededor del centro de la unidad.
- ◆ Coloque el interruptor principal (1) en la posición de apagado (b) fig. E).

Uso de la luz LED

Para encender la luz LED (12):

- ◆ Coloque el interruptor principal (1) en la posición de inflado (c fig. E) o en la de bomba (a fig. E).
- ◆ Pulse los botones - o + (21, 23) del LCD (2) para encender la luz LED (12).

Para apagar la luz LED (12):

- ◆ Pulse los botones - o + (21, 23) de nuevo.
- ◆ Apague el interruptor principal (1).

Modo de suspensión para prolongar la vida útil de la batería

La unidad está provista de una función de modo de suspensión que ayudará a prolongar la vida útil de la batería interna.

Si la unidad no se utiliza durante más de dos minutos, pasará al modo de suspensión.

- ◆ Para volver a encenderla, active y desactive el interruptor principal (1) o pulse cualquier botón del LCD (2).

Nota: Después de pasar al modo de suspensión, se perderán todos los ajustes y deberán volverse a introducir siguiendo las instrucciones que se incluyen en el apartado titulado "Ajuste de la presión necesaria".

Mantenimiento

Este aparato o herramienta con o sin cable de Black & Decker se ha diseñado para que funcione durante un largo período de tiempo con un mantenimiento mínimo. El funcionamiento satisfactorio continuado depende de un cuidado apropiado y una limpieza periódica del aparato o herramienta.

¡Atención! Antes de realizar el mantenimiento de aparatos o herramientas con o sin cables.

- ◆ Apague y desenchufe el aparato o herramienta.
- ◆ O bien, apague y extraiga las pilas o la batería del aparato o herramienta, en caso de que disponga de una batería separada.
- ◆ Desenchufe el cargador antes de limpiarlo. El cargador no requiere ningún mantenimiento especial excepto la limpieza.
- ◆ Limpie periódicamente las ranuras de ventilación de la herramienta, aparato o cargador con un cepillo suave o un paño seco.
- ◆ Limpie periódicamente la carcasa con un paño húmedo. No utilice limpiadores de base abrasiva o disolvente.
- ◆ Abra regularmente el portabrocas y golpéelo suavemente para eliminar los restos de polvo que haya en su interior (si se encuentra colocado).

Solución de problemas

Problema	Causa posible	Possible solución
El compresor de inflado no funciona.	Error de la batería interna.	Recargue la batería.
	No se ha conectado el adaptador de 12 V de cc.	Conecte el adaptador de 12 V de cc.
	La toma accesoria no está activa.	Gire la llave de encendido hacia la posición de accesorios.
	El interruptor principal de encendido/apagado no se encuentra en la posición correcta.	Coloque el interruptor principal en la posición requerida.
	No existen valores preajustados.	Establezca un valor preajustado.
	El fusible del adaptador de 12 V de cc se ha fundido.	Sustituya el fusible por uno del mismo tipo y tamaño (8 A/250 V).
	El cable o el interruptor están dañados.	Haga que un centro de asistencia técnica de Black & Decker o un centro de asistencia técnica autorizado sustituya dicho cable o interruptor.
El compresor no infla.	Se ha seleccionado un modo incorrecto.	Seleccione el modo correcto.
El LCD no se ilumina.	La unidad se encuentra en el modo de suspensión.	Pulse cualquier botón del LCD o del interruptor principal de encendido/apagado.

Sustitución del fusible del conector accesorio de cc del vehículo

- ◆ Gire la cubierta hacia la izquierda para extraerla.
- ◆ Extraiga la cubierta y el pasador central.
- ◆ Extraiga el fusible.
- ◆ Coloque un fusible nuevo del mismo tipo y tamaño (8 A/250 V).
- ◆ Vuelva a poner la cubierta y el pasador central.
- ◆ Gire la cubierta hacia la derecha para fijarla firmemente en la clavija.

Protección del medio ambiente



Recogida selectiva. No se debe desechar este producto con el resto de residuos domésticos.

Si llegase el momento en que fuese necesario sustituir su producto Black & Decker o si este dejase de tener utilidad para usted, no lo deseche junto con los residuos domésticos. Sepárelo para su recogida selectiva.



La recogida selectiva de productos y embalajes usados permite el reciclaje de materiales y su reutilización. La reutilización de materiales reciclados contribuye a evitar la contaminación medioambiental y reduce la demanda de materias primas.

Las normativas municipales deben ofrecer la recogida selectiva de productos eléctricos del hogar, en puntos municipales previstos para tal fin o a través del distribuidor cuando adquiera un nuevo producto.

Black & Decker proporciona facilidades para la recogida y reciclado de los productos Black & Decker que han llegado al final de su vida útil. Para poder utilizar este servicio, le rogamos que entregue el producto a cualquier agente de servicio técnico autorizado para que se haga cargo de él en nuestro nombre.

Para consultar la dirección del agente de servicio técnico más cercano, póngase en contacto con la oficina local de Black & Decker en la dirección que se indica en este manual. Como alternativa, se puede consultar en Internet la lista de servicios técnicos autorizados e información completa de nuestros servicios de postventa y contactos, en la dirección siguiente: www.2helpU.com.

Características técnicas

ASI500 H1	
Voltaje de entrada	V de cc 12
Corriente de entrada	A 8
SLA (ácido-plomo sellado)	Ah 3,2
Presión (máx.)	psi/bar/kPa 160/11,03/1103
Peso	kg 3.03

Cargador	
Entrada	V de ca 230
Salida	V de cc 12
Corriente de salida	A 1

Garantía

Black & Decker confía plenamente en la calidad de sus productos y ofrece una garantía extraordinaria. Esta declaración de garantía es un añadido, y en ningún caso un perjuicio para sus derechos legales. La garantía es válida dentro de los territorios de los Estados miembros de la Unión Europea y de los de la Zona Europea de Libre Comercio.

Si cualquier producto de Black & Decker resultara defectuoso debido a materiales o mano de obra defectuosos o a la falta de conformidad, Black & Decker garantiza, dentro de los 24 meses posteriores a la fecha de compra, la sustitución de las piezas defectuosas, la reparación de los productos sujetos a un desgaste y rotura razonables o la sustitución de tales productos para garantizar al cliente el mínimo de inconvenientes, a menos que:

- ◆ El producto se haya utilizado con propósitos comerciales, profesionales o de alquiler.
- ◆ El producto se haya sometido a un uso inadecuado o negligente.
- ◆ El producto haya sufrido daños causados por objetos, sustancias extrañas o accidentes.
- ◆ Se hayan realizado reparaciones por parte de personas que no sean agentes de servicio técnico autorizado o personal de servicios de Black & Decker.

Para reclamar en garantía, será necesario que presente la prueba de compra al vendedor o al agente de servicio técnico autorizado. Puede consultar la dirección de su agente de servicio técnico más cercano si se pone en contacto con la oficina local de Black & Decker en la dirección que se indica en este manual. Como alternativa, se puede consultar en Internet la lista de servicios técnicos autorizados e información completa de nuestros servicios de postventa y contactos, en la dirección siguiente:

www.2helpU.com.

Visite el sitio web **www.blackanddecker.eu** para registrar su nuevo producto Black & Decker y estar al día sobre productos y ofertas especiales. Encontrará información adicional sobre la marca Black & Decker y nuestra gama de productos en **www.blackanddecker.eu**.

Utilização

A sua estação compressora Black & Decker destina-se a ser utilizada sem fios ou, na maioria dos veículos, a partir da tomada padrão de 12 Vcc, para encher pneus de automóveis e bicicletas, bolas, barcos insufláveis, colchões de ar, bóias, etc. Este produto destina-se apenas a utilização doméstica do consumidor.

Instruções de segurança

Advertência! Quando utilizar aparelhos alimentados por bateria, deve cumprir sempre medidas de segurança básicas, incluindo as seguintes, de modo a reduzir o risco de incêndio, choque eléctrico e danos pessoais.

- ◆ Leia cuidadosamente o manual completo antes de utilizar este aparelho.
- ◆ A utilização prevista para este aparelho está descrita no manual.
- ◆ A utilização de qualquer acessório ou a realização de qualquer operação com este aparelho que não esteja incluída no presente manual de instruções poderá representar um risco de ferimentos pessoais.
- ◆ Conserve este manual para referência futura.

Utilizar o seu aparelho

- ◆ Tenha sempre cuidado ao utilizar o aparelho.
- ◆ Não mergulhe o aparelho em água.
- ◆ Não abra a estrutura do aparelho. Não existem peças substituíveis pelo utilizador no interior.
- ◆ Não utilize o equipamento em áreas com risco de explosão, tal como na presença de líquidos, gases ou poeiras inflamáveis.
- ◆ Para reduzir o risco de danos nas fichas e cabos, nunca puxe o cabo para remover a ficha de uma tomada.

Após a utilização

- ◆ Quando não for utilizado, o aparelho deve ser guardado num local seco e com boa ventilação, longe do alcance das crianças.
- ◆ As crianças não devem ter acesso aos aparelhos armazenados.
- ◆ Quando o aparelho for guardado ou transportado num veículo, deverá ser colocado na bagageira ou fixo de forma a evitar o movimento devido a alterações súbitas na velocidade ou direcção.
- ◆ Este aparelho deve ser protegido da luz solar directa, do calor e da humidade.

Inspeção e reparações

- ◆ Antes da utilização, verifique a existência de peças danificadas ou avariadas no aparelho. Verifique se há peças partidas, danos nos interruptores ou outro tipo de condições que possam afectar o seu funcionamento.
- ◆ Não utilize este aparelho se alguma das suas peças estiver danificada ou avariada.

- ◆ Mandar reparar ou substituir quaisquer peças danificadas ou avariadas por um agente de reparação autorizado.
- ◆ Nunca tente retirar ou substituir quaisquer peças que não as especificadas neste manual.

Instruções de segurança adicionais para compressores

- ◆ Apenas para utilização doméstica e em veículos. Utilize para encher pneus de automóveis e bicicletas, bolas, bóias e outros itens.
- ◆ O ar comprimido produzido pelo compressor não é seguro para ser respirado. Nunca inale o ar produzido pelo compressor ou proveniente de um dispositivo de respiração ligado ao compressor.
- ◆ Encha apenas os itens de acordo com as recomendações do respectivo fabricante. Se exceder a pressão, poderá provocar uma explosão e originar ferimentos.
- ◆ Esteja sempre perto do compressor quando este estiver em funcionamento. O compressor pode causar o rebentamento de pneus ou outros itens.
- ◆ Visto que a vibração produzida pelo compressor poderá causar a respectiva deslocação, não o coloque em funcionamento numa prateleira ou outra superfície elevada. Coloque-o em funcionamento apenas ao nível do solo ou numa bancada.
- ◆ Não modifique nem tente repará-lo. Nunca perfure, solde ou faça modificações no compressor ou nos respectivos acessórios.
- ◆ Não coloque o compressor em funcionamento quando o motor estiver ligado.
- ◆ Utilize apenas os acessórios fornecidos ou acessórios classificados para uma pressão de 160 PSI/11,03 BAR/ 1103 KPA ou superior. A utilização de qualquer acessório não recomendado para a utilização com esta ferramenta poderá ser perigosa.
- ◆ Não brinque com a ferramenta. O ar comprimido é perigoso. Não direcione o fluxo do ar para si ou para terceiros.
- ◆ O compressor poderá ficar quente durante a utilização. Deixe o compressor arrefecer durante 30 minutos antes de o guardar.
- ◆ Nunca transporte o compressor pelo tubo.
- ◆ Não aponte o bocal nem o tubo na direcção de animais ou de pessoas.
- ◆ Guarde o compressor fora do alcance das crianças.
- ◆ O manómetro serve apenas para fins indicativos. A pressão dos pneus deve ser verificada regularmente com um manómetro certificado.

- ◆ Antes de utilizar, verifique se o cabo de alimentação apresenta sinais de corrosão, danos ou desgaste.
- ◆ Não utilize o aparelho se o cabo de alimentação ou a ficha de alimentação se encontrarem danificados ou avariados (se aplicável).

Segurança de terceiros

- ◆ Este aparelho não deve ser utilizado por pessoas (incluindo crianças) que apresentem capacidades físicas, sensoriais ou mentais reduzidas ou que não possuam os conhecimentos e a experiência necessários, excepto se forem vigiadas e instruídas acerca da utilização do aparelho por uma pessoa responsável pela sua segurança.
- ◆ As crianças deverão ser vigiadas para que não mexam no aparelho.

Instruções de segurança adicionais para baterias e carregadores

Baterias

- ◆ Nunca tente abrir a bateria por motivo algum.
- ◆ Não exponha a bateria à água.
- ◆ Não exponha a bateria ao calor.
- ◆ Não armazene em locais onde a temperatura possa exceder os 40°C.
- ◆ Carregue apenas a temperaturas ambiente entre 10°C e 40°C.
- ◆ Carregue apenas com o carregador fornecido com o aparelho/ferramenta.
- ◆ Quando eliminar as baterias, siga as instruções da secção “Proteger o ambiente”.
- ◆ Não danifique a bateria por perfuração ou impacto, pois poderá originar risco de ferimentos e incêndio.
- ◆ Não carregue baterias danificadas.
- ◆ Em condições extremas, pode ocorrer uma fuga nas baterias. Se detectar a fuga de líquido das baterias, limpe o líquido cuidadosamente com um pano. Evite o contacto com a pele.
- ◆ Em caso de contacto com a pele ou com os olhos, siga as instruções seguintes.

Advertência! O fluido da bateria pode causar ferimentos pessoais ou danos materiais. Em caso de contacto com a pele, enxágue imediatamente com água. Em caso de vermelhidão, dor ou irritação, contacte um médico. Em caso de contacto com os olhos, enxágue imediatamente com água limpa e contacte um médico.

Carregadores

O seu carregador foi concebido para uma tensão específica. Verifique sempre se a tensão de alimentação corresponde à tensão indicada na placa de especificações.

Advertência! Nunca tente substituir a unidade do carregador por uma tomada normal de alimentação.

- ◆ Utilize o seu carregador Black & Decker apenas para carregar a bateria do aparelho/ferramenta com que foi fornecido. Outras baterias poderão rebentar, provocando lesões pessoais e danos.
- ◆ Nunca tente carregar baterias não recarregáveis.
- ◆ Se o cabo de alimentação estiver danificado, terá de ser substituído pelo fabricante ou por um centro de assistência autorizado Black & Decker para evitar acidentes.
- ◆ Não exponha o carregador à água.
- ◆ Não abra o carregador.
- ◆ Não manipule o interior do carregador.
- ◆ O aparelho/ferramenta/bateria deve ser colocado numa área com boa ventilação durante o carregamento.

Segurança eléctrica



O carregador tem um isolamento duplo; conseqüentemente, não é necessário um fio de terra. Verifique sempre se a tensão de alimentação corresponde à tensão indicada na placa de características.

- ◆ Se o cabo de alimentação estiver danificado, terá de ser substituído pelo fabricante ou por um centro de assistência autorizado Black & Decker para evitar acidentes.
- ◆ Nunca tente substituir a unidade do carregador por uma tomada normal de alimentação.

Rótulos nas ferramentas

A ferramenta apresenta os seguintes símbolos:



Leia o manual de instruções antes de utilizar o compressor.



Não exponha o aparelho à chuva ou humidade elevada.



Antes de executar qualquer manutenção ou limpeza no aparelho, desligue o cabo de alimentação.



Não deixe o compressor sem vigilância.

Características

1. Interruptor de ligação principal
2. LCD
3. Pega
4. Ligação de esvaziamento da bomba de alto débito
5. Tubo de ar com adaptador de válvula universal
6. Adaptador de válvula universal
7. Tubo de alto débito
8. Conector de 12 Vcc para veículo
9. Ficha do carregador
10. Ligação de enchimento da bomba de alto débito
11. Tomada
12. Luz LED
13. Carregador
14. Compartimento de acessórios

Fig. A

15. LED de carga

Antes de utilizar (fig. A)

A bateria tem de ser recarregada durante 4 a 5 horas utilizando o carregador CA (13) fornecido.

- ◆ Introduza a ficha (9) na tomada (11) existente na parte frontal da unidade.
- ◆ Ligue o carregador CA (13) à corrente eléctrica.
- ◆ O LED (15) do carregador CA (13) irá indicar o nível de carga. Vermelho: a unidade está a carregar. Verde: a unidade está carregada.
- ◆ Quando a bateria estiver totalmente carregada, desligue o carregador CA da corrente eléctrica e desligue a ficha da unidade.

Nota: Guarde o carregador CA num local seguro para utilização futura.

Utilização

Armazenamento do tubo e do cabo (fig. B - D)

- ◆ Enrole o cabo de 12 Vcc (17) em volta da base da unidade, coloque o adaptador de 12 Vcc (8) no respectivo local de armazenamento (16), conforme ilustrado na fig. B e, em seguida, rode-o 90° para o fixar.
- ◆ O tubo de ar (5) está localizado num canal de arrumação (26) existente em redor da parte superior da unidade (fig. C); certifique-se de que o tubo está preso pelos ganchos de retenção e que a alavanca (19) está para cima (fig. D).
- ◆ O tubo de alto débito (7) está localizado num canal de arrumação existente em redor do centro da unidade e é fixo por ambas as extremidades. Os acessórios (14) estão guardados na parte frontal da unidade.

Montar os acessórios (fig. D, G - I)

O seu compressor é fornecido com os bocais cónicos padrão e com o bocal de agulha (14), que se encontram guardados na parte frontal da unidade (14).

- ◆ Para utilizar o adaptador de válvula universal (6), certifique-se de que a alavanca (19) se encontra para cima.
- ◆ Coloque o adaptador de válvula universal (6) sobre a haste do bocal de agulha ou do bocal cónico (fig. D).
- ◆ Empurre a alavanca (19) do adaptador de válvula universal (6) para baixo para bloqueá-la.
- ◆ Coloque o bocal de agulha ou o bocal cónico no item que pretende encher.

Nota: Certifique-se sempre de que a alavanca está para cima quando não está a ser utilizada. O compressor só deverá ser utilizado com o adaptador de válvula universal ou com os bocais fornecidos.

Nota: Certifique-se de que o adaptador de válvula universal está fixo antes de ligar o compressor.

O compressor é fornecido com um adaptador de alto débito (24). Este adaptador encontra-se guardado na parte frontal da unidade (fig. G).

- ◆ Para utilizar o adaptador de alto débito (24), remova-o da ligação de enchimento de alto débito (10).
- ◆ Remova o tubo de alto débito (7) da localização de arrumação.
- ◆ Remova o bocal cónico (18) da extremidade do tubo de alto débito (7).
- ◆ Monte o adaptador de alto débito (24) na extremidade do tubo de alto débito (fig. H).

Vários itens insufláveis, especialmente colchões de ar, possuem uma patilha interna que evita a fuga de ar durante o enchimento. Se esta patilha não for deslocada pelo bocal, não será possível encher o item. Introduza o bocal com firmeza na válvula para garantir que esta patilha é afastada.

Advertência! A pressão de ar excessiva pode originar um risco de rebentamento ou ferimentos. Verifique a pressão máxima indicada pelo fabricante do item que está a encher.

Nota: Se a pressão do item que está a encher for superior a 100 PSI/6,89 BAR/689 KPA, note que o período máximo de funcionamento é de 10 minutos; deixe o aparelho em repouso durante 20 minutos antes de o utilizar novamente.

Utilizar o compressor (fig. E)

Advertência! Não coloque o compressor em funcionamento quando o motor do carro estiver ligado.

Nota: Certifique-se de que a tomada de 12 Vcc para acessórios tem corrente. Em alguns veículos, a tomada para acessórios pode só ter corrente quando a chave de ignição estiver na posição de acessórios.

Para alimentar o visor a partir do adaptador de 12 Vcc:

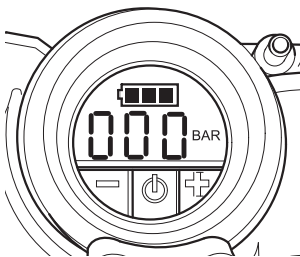
- ◆ Estenda sempre totalmente o cabo de 12 Vcc antes de cada utilização.
- ◆ Ligue o adaptador de 12 Vcc (8) à tomada de 12 Vcc para acessórios do seu veículo.
- ◆ Coloque o interruptor de ligação principal (1) na posição de enchimento (c) para ligar o LCD.

Para alimentar o LCD a partir da bateria interna (funcionamento sem fios):

- ◆ Coloque o interruptor de ligação principal (1) na posição de enchimento (c) para ligar o LCD.

Advertência! Não deixe o compressor em funcionamento sem vigilância. O compressor pode causar o rebentamento de pneus ou outros itens.

Definir a pressão pretendida (fig. E)



Nota: O LCD só apresenta a pressão de enchimento quando o compressor estiver a ser utilizado. O estado da bateria é sempre apresentado.



Necessita de carga.



A carregar.



Totalmente carregado.

Nota: Tem de definir a função de desactivação automática antes de colocar a unidade em funcionamento (apenas no modo de enchimento).

- ◆ Para alternar entre as várias unidades (PSI, BAR ou KPA), prima os botões - e + (21, 23) ao mesmo tempo até que a unidade pretendida seja apresentada.
- ◆ Mantenha premido o botão - ou + (21, 23) durante 3 segundos até o visor piscar.
- ◆ Enquanto o visor estiver a piscar, prima o botão - ou + (21, 23) até que pressão pretendida seja apresentada.

- ◆ Após 3 segundos, o visor piscará e voltará a apresentar uma leitura de "0,0 PSI/0,00 BAR/0 KPA". Isto é normal.
- ◆ Ligue o adaptador de válvula universal (6) e um acessório, se necessário, ao item a encher, certificando-se de que a alavanca (19) do adaptador de válvula se encontra para baixo, de modo a bloqueá-lo.

Nota: Certifique-se de que o adaptador de válvula universal está correctamente encaixado no item a encher.

- ◆ Para colocar o compressor em funcionamento, prima o botão de ligação (22) no LCD.
- ◆ Quando o item a encher atingir o valor predefinido, a unidade irá parar automaticamente.

Nota: Poderá notar que a leitura da pressão real diminui após alguns segundos; esta situação é normal.

- ◆ Para parar o compressor a qualquer momento, prima o botão de ligação (22) no LCD.
- ◆ Retire o adaptador de válvula ou o acessório do item enchido e o adaptador de 12 Vcc (6) da tomada de 12 Vcc para acessórios do veículo.
- ◆ Coloque o interruptor de ligação principal (1) na posição de desligado (c).

Nota: Se o interruptor de ligação principal for desligado, todas as definições serão perdidas e terão de ser reintroduzidas seguindo as instruções existentes em "Definir a pressão pretendida". Isto é uma função de segurança para impedir o risco de SOBREENCHIMENTO.

Utilizar o compressor como manómetro de pressão

- ◆ Coloque o interruptor de ligação principal (1) na posição de enchimento (c fig. E).
- ◆ Introduza o adaptador de válvula universal (6) no item cuja pressão pretende verificar.
- ◆ O LCD irá apresentar a pressão do item.
- ◆ Quando concluir a verificação, coloque o interruptor de ligação principal (1) na posição de desligado e guarde o tubo de ar na localização de arrumação.

Utilizar a bomba de alto débito

Nota: Não coloque a bomba em funcionamento quando o motor do veículo estiver ligado.

Nota: Certifique-se de que a tomada de 12 Vcc para acessórios tem corrente. Em alguns veículos, a tomada para acessórios pode só ter corrente quando a chave de ignição estiver na posição de acessórios.

Para encher um item utilizando a bomba de alto débito (por ex.: colchões de ar, barcos ou piscinas insufláveis):

Nota: O modo de bomba NÃO TEM uma função de desactivação automática.

- ◆ Coloque o interruptor de ligação principal (1) na posição de bomba (a, fig. E).
- ◆ Remova o tubo de alto débito (7) do canal de arrumação existente em redor do centro da unidade e ligue-o à ligação de enchimento da bomba de alto débito (10) (fig. F).
- ◆ Introduza o tubo (com acessórios, se necessário) no item que pretende encher.
- ◆ Para colocar a bomba em funcionamento, prima o interruptor de ligação (22) no LCD.
- ◆ Quando o item estiver cheio, ou para parar a bomba a qualquer momento, prima o interruptor de ligação (22) no LCD.
- ◆ Retire o tubo do item e guarde-o na unidade.
- ◆ Coloque o interruptor de ligação principal (1) na posição de desligado (b fig. E).

Para esvaziar um item utilizando a bomba de alto débito (por ex.: colchões de ar, barcos ou piscinas insufláveis):

Nota: O modo de bomba NÃO TEM uma função de desactivação automática.

- ◆ Coloque o interruptor de ligação principal (1) na posição de bomba (a fig. E).
- ◆ Remova o tubo de alto débito (7) do canal de arrumação existente em redor do centro da unidade e ligue-o à ligação de esvaziamento da bomba de alto débito (4) (fig F).
- ◆ Introduza o tubo (com acessórios, se necessário) no item que pretende esvaziar.
- ◆ Para colocar a bomba em funcionamento, prima o interruptor de ligação (22) no LCD.
- ◆ Quando o item estiver esvaziado, ou para parar a bomba a qualquer momento, prima o interruptor de ligação (22) no LCD.
- ◆ Remova o tubo de alto débito (7) do item e guarde-o no canal de arrumação existente em redor do centro da unidade.
- ◆ Coloque o interruptor de ligação principal (1) na posição de desligado (b fig. E).

Utilizar a luz LED

Para ligar a luz LED (12):

- ◆ Coloque o interruptor de ligação principal (1) na posição de enchimento (c fig. E) ou de bomba (a fig. E).
- ◆ Prima o botão - ou + (21, 23) no LCD (2) para ligar a luz LED (12).

Para desligar a luz LED (12):

- ◆ Prima o botão - ou + (21, 23) novamente.
- ◆ Coloque o interruptor de ligação principal (1) na posição de desligado.

Modo de suspensão para preservar a duração da bateria

A unidade está equipada com um modo de suspensão, destinado a ajudar a aumentar a duração da bateria interna.

Se a unidade estiver ligada e não for utilizada durante mais de 2 minutos, irá entrar no modo de suspensão.

- ◆ Para ligar novamente a unidade, ligue e desligue o interruptor de ligação principal (1) ou prima qualquer botão do LCD (2).

Nota: Após sair do modo de suspensão, todas as definições serão perdidas e terão de ser introduzidas seguindo as instruções existentes em “Definir a pressão pretendida”.

Manutenção

O seu aparelho/ferramenta Black & Decker com fios/sem fios foi concebido para funcionar durante um longo período de tempo com uma manutenção mínima. Um funcionamento contínuo e satisfatório depende de uma manutenção adequada e limpeza regular do aparelho/ferramenta.

Advertência! Antes de efectuar qualquer trabalho de manutenção em aparelhos/ferramentas com fios/sem fios:

- ◆ Desligue o aparelho/ferramenta e retire a respectiva ficha da tomada.
- ◆ Alternativamente, desligue o aparelho/ferramenta e remova a bateria do aparelho/ferramenta, caso este tenha uma bateria individual.
- ◆ Desligue o carregador antes de o limpar. O seu carregador não necessita de manutenção para além da limpeza regular.
- ◆ Limpe regularmente as aberturas de ventilação do aparelho/ferramenta/carregador com uma escova suave ou um pano seco.
- ◆ Limpe regularmente o compartimento com um pano húmido. Não utilize nenhum produto de limpeza abrasivo ou à base de solventes.
- ◆ Abra o mandril regularmente e bata no mesmo para remover qualquer vestígio de pó do seu interior (quando colocado).

Resolução de problemas

Problema	Causa possível	Solução possível
O compressor não funciona.	Falha da bateria interna.	Recarregue a bateria.
	Adaptador de 12 Vcc não ligado.	Ligue o adaptador de 12 Vcc.
	Tomada para acessórios sem corrente.	Rode a chave para a posição de acessórios.
	Interruptor de ligação principal numa posição incorrecta.	Coloque o interruptor principal na posição correcta.
	Nenhum valor predefinido estabelecido.	Estabeleça um valor predefinido.
O fusível do adaptador de 12 Vcc está fundido.		Substitua o fusível por um do mesmo tamanho e tipo (8 A/250 V).
	O cabo ou o interruptor está danificado.	Substitua o cabo ou o interruptor num Centro de Assistência Autorizado Black & Decker.
O compressor não enche.	Modo incorrecto seleccionado.	Selecione o modo correcto.
LCD não iluminado.	A unidade está no modo de suspensão.	Prima qualquer botão no LCD ou accione o interruptor de ligação principal.

Substituir o fusível na tomada CC para acessórios do veículo

- ◆ Retire a tampa, rodando-a no sentido contrário ao dos ponteiros do relógio.
- ◆ Remova a tampa e o pino central.
- ◆ Retire o fusível.
- ◆ Coloque um novo fusível do mesmo tipo e tamanho (8 A/250 V).
- ◆ Volte a colocar a tampa e o pino central.
- ◆ Aperte a tampa, rodando-a no sentido dos ponteiros do relógio em direcção à tomada.

Protecção do ambiente



Recolha separada. Este produto não pode ser eliminado juntamente com os resíduos domésticos normais.

Se, em algum momento, for necessário substituir o aparelho ou se este deixar de ter utilidade, não elimine o produto num caixote do lixo. Este produto pode ser separado para reciclagem.



A recolha separada de produtos e embalagens usados permite que os materiais sejam reciclados e reutilizados. A reutilização de materiais reciclados ajuda a evitar a poluição ambiental e reduz a procura de matérias-primas.

A legislação local poderá prever a recolha separada de produtos domésticos eléctricos, seja em lixeiras municipais ou através do revendedor quando adquire um produto novo.

A Black & Decker dispõe de instalações para recolha e reciclagem de produtos Black & Decker quando estes atingem o fim da sua vida útil. Para usufruir deste serviço, devolva o produto em qualquer agente de reparação autorizado, que os recolherá em seu nome.

Podem verificar a localização do agente de reparação autorizado mais perto de si, contactando os escritórios locais da Black & Decker através do endereço indicado neste manual. Se preferir, pode encontrar na Internet uma lista de agentes de reparação autorizados Black & Decker, detalhes completos e contactos do serviço pós-venda, no endereço: www.2helpU.com.

Dados técnicos

ASI500 H1	
Tensão de entrada	Vcc 12
Corrente de entrada	A 8
SLA (ácido-chumbo selada)	Ah 3,2
Pressão (máx.)	PSI/BAR/KPA 160/11,03/1103
Peso	kg 3.03
Carregador	
Entrada	Vca 230
Saída	Vcc 12
Corrente de saída	A 1

Garantia

A Black & Decker confia na qualidade dos seus produtos e oferece uma garantia excelente. Esta declaração de garantia é um complemento dos seus direitos estabelecidos por lei, não os prejudicando de forma alguma. A garantia é válida nos territórios dos Estados Membros da União Europeia e da Associação Europeia de Comércio Livre.

Se um produto Black & Decker se avariar devido a defeitos de material, fabrico ou não conformidade, num período de 24 meses após a data da compra, a Black & Decker garante a substituição de peças defeituosas, a reparação de produtos sujeitos a um desgaste aceitável ou a substituição dos mesmos para garantir o mínimo de inconveniente ao cliente, excepto se:

- ◆ O produto tiver sido utilizado para fins comerciais, profissionais ou de aluguer.
- ◆ O produto tiver sido submetido a utilização indevida ou descuido.
- ◆ O produto tiver sido danificado por objectos estranhos, substâncias ou acidentes.
- ◆ Tiverem sido tentadas reparações por pessoas que não sejam agentes de reparação autorizados ou técnicos de manutenção da Black & Decker.

Para accionar a garantia, terá de apresentar comprovativos de compra ao vendedor ou a um agente de reparação autorizado. Pode verificar a localização do agente de reparação autorizado mais perto de si, contactando os escritórios locais da Black & Decker através do endereço indicado neste manual. Se preferir, pode encontrar na Internet uma lista de agentes de reparação autorizados Black & Decker, detalhes completos e contactos do serviço pós-venda, no endereço: **www.2helpU.com**.

Visite o nosso website **www.blackanddecker.eu** para registar o novo produto Black & Decker e manter-se actualizado relativamente a novos produtos e ofertas especiais. Pode encontrar mais informações sobre a marca Black & Decker e a nossa gama.. de produtos em **www.blackanddecker.eu**.

Användningsområde

Den här luftpumpen från Black & Decker kan användas sladdlöst eller, i de flesta fordon, med det standardmonterade 12 V-uttaget för att pumpa bil- och cykeldäck, bollar, gummibåtar, luftmadrasser, badleksaker m.m. Produkten är endast avsedd för konsumentanvändning i hemmet.

Säkerhetsinstruktioner

Varning! Vid användning av batteridrivna apparater ska grundläggande säkerhetsföreskrifter, inklusive nedanstående, alltid följas så att risken för brand, stötar, personskador och materialskador blir mindre.

- ◆ Läs hela den här bruksanvisningen noggrant innan du använder apparaten.
- ◆ Användningsområdet beskrivs i den här bruksanvisningen.
- ◆ Användning av andra tillbehör eller tillsatser eller andra åtgärder som utförs med apparaten än de som rekommenderas i den här bruksanvisningen kan leda till personskador.
- ◆ Behåll bruksanvisningen för framtida referens.

Använda apparaten

- ◆ Var alltid försiktig när du använder apparaten.
- ◆ Doppa aldrig apparaten i vatten.
- ◆ Öppna inte höjlet. Det finns inga delar inuti som kan repareras av användaren.
- ◆ Apparaten ska inte användas i omgivningar med brandfarliga vätskor, gaser eller damm på grund av explosionsrisken.
- ◆ Dra aldrig i sladden när du vill ta ut kontakten ur uttaget. Det minskar risken för skador på kontakter och sladdar.

Efter användning

- ◆ När apparaten inte används ska den förvaras på en torr plats med god ventilation och utom räckhåll för barn.
- ◆ Placera apparaten på ett ställe där barn inte kan komma åt den.
- ◆ När apparaten förvaras eller transporteras i en bil, ska den placeras i bagageutrymmet eller spännas fast för att förhindra rörelse till följd av plötsliga ändringar i hastighet eller riktning.
- ◆ Utsätt inte apparaten för direkt solljus, värme eller fukt.

Kontroll och reparationer

- ◆ Kontrollera att apparaten är hel och att den inte innehåller några skadade delar innan du använder den. Kontrollera att inga delar är trasiga, att strömbrytaren fungerar och att inget annat föreligger som kan påverka apparatens funktion.
- ◆ Använd inte apparaten om någon del har skadats eller gått sönder.

- ◆ Reparera eller byt ut skadade eller trasiga delar på en auktoriserad verkstad.
- ◆ Försök aldrig ta bort eller byta ut andra delar än de som anges i den här bruksanvisningen.

Extra säkerhetsinstruktioner för luftpumpar

- ◆ Endast för användning i hemmet och i bilen. Pumpa bil- och cykeldäck, bollar, badleksaker med mera i och i anslutning till hemmet.
- ◆ Tryckluften från luftpumpen kan vara farlig att inandas. Andas aldrig in luft från luftpumpen eller från en andningsanordning som är ansluten till luftpumpen.
- ◆ Följ alltid tillverkarens rekommendationer när du pumpar ett föremål. Om det angivna maxtrycket överskrids kan en explosion inträffa och orsaka personskador.
- ◆ Lämna aldrig luftpumpen oövervakad när den är påslagen. Den kan få däck och andra föremål att explodera.
- ◆ Vibrationerna som uppstår när luftpumpen är påslagen kan göra att den flyttar på sig. Lämna den därför aldrig påslagen på en hög hylla eller någon annan högt belägen yta. Använd den endast på marken/golvet eller i knähöjd.
- ◆ Gör inga förändringar på pumpen och försök inte reparera den. Borra eller svetsa inte på pumpen eller dess tillbehör och gör inga förändringar av pumpen eller tillbehör.
- ◆ Använd inte luftpumpen medan bilens motor är i gång.
- ◆ Använd den endast med de medföljande tillbehören eller med tillbehör som är godkända för 160 psi/ 11,03 bar/1103 kPa eller högre. Det kan vara farligt att använda tillbehör som inte är rekommenderade för användning med den här pumpen.
- ◆ Lek inte med redskapet. Tryckluft är farlig. Rikta inte luftflödet mot dig själv eller någon annan.
- ◆ Luftpumpen kan bli varm under användning. Låt den svalna under 30 minuter innan du ställer undan den.
- ◆ Bär aldrig pumpen genom att lyfta den i slangen.
- ◆ Rikta inte munstycket eller slangen mot djur eller människor.
- ◆ Förvara luftpumpen utom räckhåll för barn när den inte används.
- ◆ Mätarens värden ska endast användas som en vägledning. Däcktrycket ska kontrolleras regelbundet med en godkänd mätare.
- ◆ Före användning kontrollerar du om nåtsladden visar tecken på skador, åldrande eller slitage.
- ◆ Använd inte apparaten om nåtsladden eller nätkontakten är skadad eller defekt.

Säkerhet för andra

- ◆ Apparaten ska inte användas av personer (inklusive barn) med nedsatt fysisk eller psykisk förmåga eller bristande erfarenhet och kunskap, om de inte får vägledning och övervakas av en person som ansvarar för deras säkerhet.
- ◆ Barn ska hållas under uppsikt så att de inte leker med apparaten.

Ytterligare säkerhetsinstruktioner för batterier och laddare

Batterier

- ◆ Försök aldrig att öppna batterierna.
- ◆ Utsätt inte batteriet för vatten.
- ◆ Utsätt inte batteriet för värme.
- ◆ Förvara inte apparaten på platser där temperaturen kan bli högre än 40 °C.
- ◆ Ladda endast vid lufttemperaturer mellan 10 °C och 40 °C.
- ◆ Ladda endast med hjälp av laddare som medföljer apparaten.
- ◆ Följ instruktionerna som anges i avsnittet "Miljö" när du kastar batterierna.
- ◆ Skydda batteriet från skador/deformeringar i form av slag och stötar eftersom det kan leda till personskador eller eldsvåda.
- ◆ Ladda inte skadade batterier.
- ◆ Under extrema förhållanden kan batterierna läcka. Om det finns vätska på batterierna ska du torka bort vätskan försiktigt med en trasa. Undvik hudkontakt.
- ◆ Vid kontakt med hud eller ögon, följ instruktionerna nedan.

Varning! Batterivätskan kan orsaka person- eller materialskador. Vid hudkontakt, skölj genast med vatten. Vid rodnader, smärta eller irritation ska läkare uppsökas. Vid kontakt med ögon, skölj genast med rent vatten, och uppsök läkare.

Laddare

Laddaren är avsedd för en viss spänning. Kontrollera alltid att nätspänningen överensstämmer med värdet på typskylten.

Varning! Försök aldrig byta ut kontakten till laddaren mot en vanlig kontakt.

- ◆ Använd laddaren från Black & Decker endast för att ladda batteriet i den apparat som laddaren levererades med. Andra batterier kan spricka och orsaka personskador och andra skador.
- ◆ Försök aldrig att ladda ej uppladdningsbara batterier.
- ◆ Om nätsladden är skadad måste den för undvikande av fara bytas ut av tillverkaren eller en auktoriserad Black & Decker-verkstad.

- ◆ Utsätt inte laddaren för vatten.
- ◆ Öppna inte laddaren.
- ◆ Gör ingen åverkan på laddaren.
- ◆ Apparaten/verktyget/batteriet ska placeras på en plats med god ventilation vid laddning.

Elsäkerhet



Eftersom laddaren är dubbelisolerad behövs ingen jordledare. Kontrollera alltid att nätspänningen överensstämmer med värdet på typskylten.

- ◆ Om nätsladden är skadad måste den för undvikande av fara bytas ut av tillverkaren eller en auktoriserad Black & Decker-verkstad.
- ◆ Försök aldrig byta ut kontakten till laddaren mot en vanlig kontakt.

Etiketter på apparaten

Följande symboler finns på apparaten:



Läs bruksanvisningen innan du använder luftpumpen.



Låt inte apparaten komma i kontakt med regn och hög luftfuktighet.



Dra ut sladden ur eluttaget innan du utför underhåll på eller rengör apparaten.



Lämna aldrig luftpumpen oövervakad.

Funktioner

1. Huvudströmbrytare
2. Display
3. Handtag
4. Anslutning för snabbtömning
5. Luftslang med universalventiladapter
6. Universalventiladapter
7. Högvolymslang
8. Fordonskontakt för 12 V DC
9. Kontakt för laddare
10. Högvolymanslutning
11. Uttag för laddare
12. Lysdiodlampa
13. Laddare
14. Tillbehörsfack

Bild A

15. Lysdiod för laddning

Innan användning (bild A)

Det inbyggda batteriet måste laddas 4–5 timmar med den medföljande växelströmsladdaren (13).

- ◆ Sätt i laddarens kontakt (9) i laddningsuttaget (11) framtill på apparaten.
- ◆ Anslut växelströmsladdaren (13) till vägguttaget.
- ◆ Lysdioden (15) på växelströmsladdaren (13) visar batteriladdningsnivån. När den lyser rött laddas apparaten, när den lyser grönt är apparaten laddad.
- ◆ När apparaten är fulladdad tar du ut växelströmsladdaren ur vägguttaget och laddarens kontakt ur apparaten.

Obs! Förvara växelströmsladdaren på en säker plats för senare användning.

Användning

Förvaring av slang och sladd (bild B–D)

- ◆ Linda 12 V-sladden (17) runt apparatens underdel, stoppa in 12 V DC-adaptorn (8) i förvaringsutrymmet (16) enligt bild B och vrid den 90° så att den stannar på plats.
- ◆ Luftslangen (5) förvaras i en kanal (26) runt apparatens överdel (bild C). Se till att slangen sitter fast i hållarna och att spaken (19) pekar uppåt (bild D).
- ◆ Högvolymsslängen (7) förvaras i en kanal runt apparatens mitt och trycks fast i båda ändarna. Tillbehören (14) förvaras framtill på pumpen.

Montera tillbehör (bild D, G–I)

Luftpumpen är utrustad med vanliga konformade pumpmunstycken och ett nålformat pumpmunstycke.

De förvaras framtill på apparaten (14).

- ◆ Se till att spaken (19) pekar uppåt när du använder universalventiladaptorn (6).
- ◆ Placera universalventiladaptorn (6) över nederdelen på det nålformade eller konformade munstycket (bild D).
- ◆ Tryck ned spaken (19) på universalventiladaptorn (6) för att låsa fast munstycket.
- ◆ Tryck in det nålformade eller konformade munstycket i det föremål som ska pumpas upp.

Obs! Se alltid till att spaken är i uppåtläge när den inte används. Luftpumpen ska bara användas med universalventiladaptorn eller de medföljande munstyckena.

Obs! Se till att universalventiladaptorn sitter ordentligt fast innan du sätter på pumpen.

Pumpen levereras med en högvolymadapter (24).

Den förvaras framtill på apparaten (bild G).

- ◆ Ta bort högvolymadaptorn (24) från högvolymanslutningen (10) när den ska användas.
- ◆ Ta bort högvolymsslängen (7) från dess förvaringsplats.
- ◆ Ta bort det konformade munstycket (18) från högvolymsslängen (7).
- ◆ Sätt fast högvolymadaptorn (24) i änden på högvolymsslängen (bild H).

Många uppblåsbara föremål, särskilt luftmadrasser, har en invändig spärr som hindrar att luft tränger ut under pumpningen. Munstycket måste trycka undan spärren för att det ska gå att pumpa upp föremålet. Tryck in munstycket ordentligt i ventilen så att spärren trycks undan.

Varning! Ett för högt lufttryck kan innebära stor risk för explosion eller personskador. Ta reda på vilket maxtryck tillverkaren rekommenderar för det föremål du ska pumpa upp.

Obs! Om maxtrycket för det föremål som ska pumpas upp är högre än 100 psi/6,89 bar/689 kPa är den maximala drifttiden 10 minuter. Låt sedan pumpen vila i 20 minuter innan den används igen.

Använda luftpumpen (fig. E)

Varning! Använd inte luftpumpen medan bilens motor är i gång.

Obs! Kontrollera att 12 V-tillbehörsuttaget har ström. På en del fordon måste nyckeln befinna sig i tillbehörslåget (ACC) för att uttaget ska fungera.

Gör så hör för att aktivera displayen via 12 V-adaptorn:

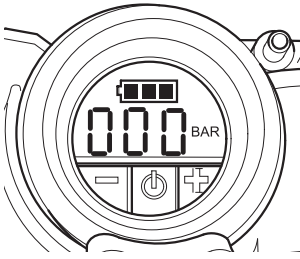
- ◆ Dra alltid ut hela 12 V-sladden före varje användningstillfälle.
- ◆ Koppla 12 V-adaptorn (8) till ditt fordon's 12 V-tillbehörsuttag.
- ◆ För huvudströmbrytaren (1) till uppblåsningsslåget (c) för att aktivera displayen.

Om du vill aktivera displayen via det inbyggda batteriet (sladdlös drift):

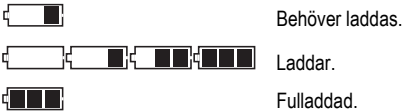
- ◆ För huvudströmbrytaren (1) till uppblåsningsslåget (c) för att aktivera displayen.

Varning! Lämna aldrig luftpumpen oövervakad när den är påslagen. Den kan få däck och andra föremål att explodera.

Ställa in önskat tryck (fig. E)



Obs! Displayen visar endast pumptryck när luftpumpen används. Batteristatus visas alltid.



Obs! Du måste ställa in den automatiska avstängningsfunktionen för att enheten ska fungera (endast upplåsningsläge).

- Du kan växla mellan de olika enheterna (psi, bar eller kPa) genom att trycka ner minus- och plusknappen (21, 23) samtidigt tills önskad enhet visas.
- Tryck på och håll ned minus- eller plusknappen (21, 23) i 3 sekunder tills displayen blinkar.
- Tryck ned minus- eller plusknappen (21, 23) medan displayen blinkar tills önskat tryck visas.
- Efter 3 sekunder blinkar displayen och återgår till att visa "0,0 psi/0,00 bar/0 kPa". Det är normalt.
- Koppla universalventiladaptorn (6) och ett tillbehör (om det behövs) till föremålet som ska pumpas upp. Se till att spaken (19) på ventiladaptorn är i nedåtriktat läge för att låsa fast den.

Obs! Se till att universalventiladaptorn sitter rätt på det föremål som ska pumpas.

- Starta luftpumpen genom att trycka på strömbrytaren (22) på displayen.
- När föremålet som ska pumpas uppnår det förinställda värdet stannar enheten automatiskt.

Obs! Som du kommer att märka sjunker det verkliga trycket efter några sekunder. Det är normalt.

- Du kan när som helst stanna luftpumpen genom att trycka på strömbrytaren (22) på displayen.
- Ta bort ventiladaptorn eller tillbehöret från det föremålet som har pumpats upp och 12 V-adaptorn (6) från fordonets 12 V-tillbehörsuttag.
- För huvudströmbrytaren (1) till läge av (b).

Obs! Om huvudströmbrytaren stängs av förloras alla inställningar och de måste anges igen enligt instruktionerna under rubriken "Ställa in önskat tryck". Det är en säkerhetsfunktion så att föremål inte PUMPAS UPP FÖR MYCKET.

Använda luftpumpen som tryckmätare

- Dra huvudströmbrytaren (1) till upplåsningsläge (c fig. E).
- Anslut universalventiladaptorn (6) till föremålet som ska kontrolleras.
- Displayen visar föremålets lufttryck.
- Efter kontrollen drar du huvudströmbrytaren (1) till läge av och sätter tillbaka luftslangen i förvaringsutrymmet.

Hantera högvolympumpen

Obs! Använd inte pumpen medan fordonets motor är i gång. **Obs!** Kontrollera att 12 V-tillbehörsuttaget har ström. På en del fordon måste nyckeln befinna sig i tillbehörsläget (ACC) för att uttaget ska fungera.

Om du ska pumpa med högvolympumpen

(t.ex. luftmadrasser, gummibåtar, badleksaker):

Obs! Pumpläget HAR INTE någon automatisk avstängningsfunktion.

- För huvudströmbrytaren (1) till pumpläget (a, fig. E).
- Ta bort högvolymslangen (7) från förvaringskanalen runt apparatens mitt och anslut den till högvolymslutningen (10) (fig. F).
- Anslut slangen (med tillbehör om det behövs) till det föremål som ska pumpas.
- Starta pumpen genom att trycka på strömbrytaren (22) på displayen.
- När föremålet är pumpat eller om du vill stanna pumpen när som helst trycker du på strömbrytaren (22) på displayen.
- Ta ut slangen ur föremålet och förvara den på enheten.
- För huvudströmbrytaren (1) till läge av (b fig. E).

Om du ska släppa ut luft med högvolympumpen

(t.ex. luftmadrasser, gummibåtar, badleksaker):

Obs! Pumpläget HAR INTE någon automatisk avstängningsfunktion.

- Dra huvudströmbrytaren (1) till pumpläge (a fig. E).
- Ta bort högvolymslangen (7) från förvaringskanalen runt apparatens mitt och anslut den till högvolympumpens snabbtömningsanslutning (4) (fig. F).
- Anslut slangen (med tillbehör om det behövs) till det föremål som ska tömmas på luft.
- Starta pumpen genom att trycka på strömbrytaren (22) på displayen.

- ◆ När föremålet är tomt på luft eller om du vill stanna pumpen när som helst trycker du på strömbrytaren (22) på displayen.
- ◆ Ta bort högvolymslängden (7) från enheten och förvara den i förvaringskanalen runt apparatens mitt.
- ◆ För huvudströmbrytaren (1) till läge av (b fig. E).

Använda lysdiodlampan

Tända lysdiodlampan (12):

- ◆ För huvudströmbrytaren (1) till läge upplåsning (c fig. E) eller pump (a fig. E).
- ◆ Tryck på minus- eller plusknappen (21, 23) på displayen (2) för att tända lysdioden (12).

Släcka lysdiodlampan (12):

- ◆ Tryck på minus- eller plusknappen (21, 23) igen.
- ◆ För huvudströmbrytaren (1) till läge av.

Viloläge gör att batteriet håller längre.

Enheten är utrustad med en vilolägesfunktion som gör att det inbyggda batteriet håller längre.

Om enheten lämnas påslagen och inte används på två minuter kommer den att övergå i viloläge.

- ◆ Du slår på enheten igen genom att antingen slå av och på huvudströmbrytaren (1) eller trycka på någon knapp på displayen (2).

Obs! Efter viloläge förloras alla inställningar och måste anges igen enligt instruktionerna under rubriken "Ställa in önskat tryck".

Underhåll

Den här Black & Decker-apparaten (med eller utan sladd) är konstruerad för att fungera under lång tid med minsta möjliga underhåll. Med rätt underhåll och regelbunden rengöring behåller apparaten/verkytet sin funktion.

Varning! Innan du utför underhåll på apparat/verkytyg med eller utan sladd:

- ◆ Stäng av apparaten/verkytet och dra ur nätkontakten.
- ◆ Du kan också ta ut batteriet ur apparaten om apparaten har ett separat batteri.
- ◆ Dra ur sladden till laddaren innan du rengör den. Laddaren behöver inget annat underhåll än regelbunden rengöring.
- ◆ Rengör regelbundet apparatens/verkytets/laddarens ventilationsöppningar med en mjuk borste eller torr trasa.
- ◆ Rengör höljet regelbundet med en fuktig trasa. Använd aldrig rengöringsmedel som innehåller lösnings- eller slipmedel.
- ◆ Öppna chocken (där sådan finns) med jämna mellanrum och knacka på den för att avlägsna damm som sitter på insidan.

Felsökning

Problem	Möjlig orsak	Möjlig lösning
Luftpumpen fungerar inte.	Fel på det inbyggda batteriet. 12 V-adaptorn är inte ansluten. Tillbehörsuttaget saknar ström. Huvudströmbrytaren är inte i rätt läge. Inget värde förinställt.	Ladda batteriet. Anslut 12 V-adaptorn. Vrid nyckeln till tillbehörslåget (ACC) För huvudströmbrytaren till önskat läge. Ange förinställt värde.
Blåser inte upp.	Säkring i 12 V-adaptorn har gått. Sladden eller strömbrytaren är skadad.	Byt säkringen till en av samma storlek och typ (8 A/250 V). Låt en Black & Decker-verkstad eller annan auktoriserad verkstad byta sladden eller strömbrytaren.
Displayen ej tänd.	Felaktigt läge valt. Enheten är i viloläge.	Välj rätt läge. Tryck på någon knapp på displayen eller på huvudströmbrytaren.

Byta säkring i bilens tillbehörskontakt

- ◆ Ta av locket genom att vrida det moturs.
- ◆ Avlägsna locket och centrumsappen.
- ◆ Ta bort säkringen.
- ◆ Sätt dit en ny säkring av samma typ och storlek (8 A/250 V).
- ◆ Sätt tillbaka locket och centrumsappen.
- ◆ Dra åt locket genom att vrida det medurs på kontakten.

Miljö



Separat insamling. Produkten får inte kastas i hushållssoporna.

Tänk på miljön när du slänger denna Black & Decker-produkt. Släng den inte tillsammans med hushållsavfallet. Lämna produkten för separat insamling.



Insamling av uttjänta produkter och förpackningsmaterial gör att material kan återanvändas. Användning av återvunnet material minskar föroreningar av miljön och behovet av råmaterial.

Lokala föreskrifter kan kräva separat insamling av elprodukter från hushållen, vid kommunala samlingsplatser eller hos återförsäljaren när du köper en ny produkt.

Black & Decker samlar in och återvinner uttjänta Black & Decker-produkter. Om du vill utnyttja denna tjänst återlämnar du produkten till en auktoriserad verkstad, som samlar in den för vår räkning.

För information om närmaste auktoriserade verkstad, kontakta det lokala Black & Decker-kontoret på den adress som är angiven i bruksanvisningen. En lista över alla auktoriserade Black & Decker-verkstäder samt servicevillkor finns på Internet: www.2helpU.com.

Tekniska data

ASI500 H1	
Inspänning	Vdc 12
Inström	A 8
SLA (tätat blybatteri)	Ah 3,2
Tryck (max)	Psi/bar/kPa 160/11,03/1103
Vikt	kg 3.03

Laddare	
Inspänning	Vac 230
Utspänning	Vdc 12
Utström	A 1

Garanti

Black & Decker garanterar att produkten är fri från material- och/eller fabriktionsfel vid leverans till kund. Garantin gäller utöver konsumentens rättigheter enligt lag och påverkar inte dessa. Garantin gäller inom medlemsstaterna i Europeiska Unionen och i det Europeiska Frihandelsområdet.

Om en Black & Decker-produkt går sönder på grund av material- och/eller fabriktionsfel eller brister i överensstämmelse med specifikationen, inom 24 månader från köpet, åtar sig Black & Decker att reparera eller byta ut produkten med minsta besvär för kunden, förutom om:

- ◆ Produkten har använts kommersiellt, yrkesmässigt eller för uthyrning.
- ◆ Produkten har utsatts för felaktig användning eller skötsel.
- ◆ Produkten har skadats av främmande föremål, ämne eller genom olycka.
- ◆ Reparation har utförts av någon annan än en auktoriserad Black & Decker-verkstad.

Vid garantianspråk ska produkten och inköpskvittot lämnas till återförsäljaren eller till en auktoriserad verkstad. För information om närmaste auktoriserade verkstad, kontakta det lokala Black & Decker-kontoret på den adress som är angiven i bruksanvisningen. En lista över alla auktoriserade verkstäder samt servicevillkor finns på Internet:

www.2helpU.com.

Besök vår webbplats www.blackanddecker.se för att registrera din nya Black & Decker-produkt samt för att erhålla information om nya produkter och specialerbjudanden.

Vidare information om märket Black & Decker och vårt produktsortiment återfinns på www.blackanddecker.se.

Bruksområde

Luftpumpen fra Black & Decker er konstruert slik at den kan brukes med batteri eller kobles til standardkontakten for 12 volt likestrøm i de fleste kjøretøyer og brukes til å blåse opp bildekk, sykkeldekk, baller, flåter, luftmadrasser, bademadrasser osv. Dette produktet er bare beregnet for bruk som forbrukerprodukt i husholdninger.

Sikkerhetsinstruksjoner

Advarsel! Når du bruker batteridrevne apparater, må du ta grunnleggende sikkerhetsforholdsregler, blant annet dem som er beskrevet nedenfor, for å redusere risikoen for brann, batterilekkasje, personskade og skade på materiell.

- ◆ Les hele denne håndboken nøye før du bruker apparatet.
- ◆ Beregnet bruk er beskrevet i denne håndboken.
- ◆ Hvis du bruker annet tilbehør, kobler til annet utstyr eller bruker dette apparatet til andre oppgaver enn det som er anbefalt i denne håndboken, kan det føre til fare for personskade.
- ◆ Oppbevar denne håndboken for fremtidig bruk.

Bruk av apparatet

- ◆ Vær alltid forsiktig når du bruker apparatet.
- ◆ Ikke senk apparatet ned i vann.
- ◆ Ikke åpne huset til apparatet. Det er ingen deler inni som brukere skal håndtere.
- ◆ Ikke arbeid med produktet i eksplosjonsfarlige omgivelser, som for eksempel der det befinner seg brennbare væsker, gass eller støv.
- ◆ Dra aldri i kabelen når du skal ta støpselet ut av stikkkontakten. Dermed reduserer du risikoen for skade på støpsel og kabel.

Etter bruk

- ◆ Når apparatet ikke er i bruk, skal det oppbevares på et tørt og godt ventilert sted utilgjengelig for barn.
- ◆ Barn skal ikke ha tilgang til apparater som ikke er i bruk.
- ◆ Når apparatet oppbevares eller transporteres i et kjøretøy, bør det plasseres i bagasjerommet eller låses, slik at det ikke påvirkes av raske farts- eller retningsendringer.
- ◆ Apparatet må beskyttes mot direkte sollys, varme og fuktighet.

Kontroll og reparasjon

- ◆ Kontroller at apparatet ikke er skadet eller har defekte deler før du bruker det. Kontroller om noen av delene har sprekker, om bryterne er skadet eller om det er andre forhold som kan ha innvirkning på bruken.
- ◆ Ikke bruk apparatet hvis noen del er skadet eller defekt.

- ◆ Overlat reparasjon eller utskifting av skadde eller defekte deler til et autorisert serviceverksted.
- ◆ Forsøk aldri å fjerne eller skifte ut andre deler enn dem som er oppgitt i denne håndboken.

Ytterligere sikkerhetsinstruksjoner for luftpumper

- ◆ Bare for bruk i hjemmet og bilen. Blåser opp bil- og sykkeldekk, baller, bademadrasser og annet i og ved hjemmet.
- ◆ Det er ikke trygt å puste inn den komprimerte luften fra luftpumpen. Pust aldri inn luft fra luftpumpen eller fra pusteutstyr som er koblet til luftpumpen.
- ◆ Blås opp gjenstanden bare så mye som produsenten har anbefalt. Hvis du overskrider det normerte trykket, kan gjenstanden eksplodere, og dette kan føre til personskade.
- ◆ Ikke la luftpumpen gå uten tilsyn. Dekk eller andre gjenstander kan eksplodere.
- ◆ Siden vibrasjonen i luftpumpen kan få den til å "vandre", må du ikke kjøre den på høye hyller eller andre overflater høyt oppe. Bruk den bare på bakke- eller benkenivå.
- ◆ Ikke endre den, og ikke forsøk å reparere den. Du må aldri bore i, sveise eller gjøre noen endringer på luftpumpen eller tilbehøret til denne.
- ◆ Ikke bruk luftpumpen mens motoren i kjøretøyet går.
- ◆ Bruk luftpumpen bare med det tilbehøret som følger med, og som er normert for 160 PSI / 11,03 BAR / 1103 KPA, eller høyere. Det kan være farlig å bruke tilbehør som ikke er anbefalt for bruk sammen med dette verktøyet.
- ◆ Ikke lek med verktøyet. Luft med høyt trykk er farlig. Ikke rett luftstrømmen mot deg selv eller andre.
- ◆ Luftpumpen kan bli varm under bruk. La luftpumpen kjøle i 30 minutter før du setter den bort.
- ◆ Bær aldri luftpumpen i slangen.
- ◆ Du må ikke rette munnstykket eller slangen mot dyr eller personer i nærheten.
- ◆ Oppbevar luftpumpen utilgjengelig for små barn.
- ◆ Hensikten med måleren er bare å gi veiledning. Dekktrykk skal kontrolleres regelmessig med en sertifisert måler.
- ◆ Før bruk må du kontrollere strømledningen for tegn på skade, aldring og slitasje.
- ◆ Ikke bruk apparatet hvis strømledningen eller støpselet er skadet eller defekt (der dette er aktuelt).

Andre personers sikkerhet

- ◆ Det er ikke meningen at dette apparatet skal brukes av personer (inkludert barn) med reduserte fysiske, sansemessige eller mentale evner, eller som mangler erfaring og kunnskap, med mindre de har fått oppfølging eller instruksjon når det gjelder bruken av apparatet, fra en person som er ansvarlig for deres sikkerhet.
- ◆ Barn skal være under oppsyn så du er sikker på at de ikke leker med apparatet.

Ytterligere sikkerhetsinstruksjoner for batterier og ladere

Batterier

- ◆ Forsøk ikke å åpne uansett hvilket formål du måtte ha.
- ◆ Ikke utsett batteriet for vann.
- ◆ Ikke utsett batteriet for varme.
- ◆ Skal ikke oppbevares på steder der temperaturen kan overskride 40 °C.
- ◆ Skal lades bare ved omgivelsestemperaturer mellom 10 °C og 40 °C.
- ◆ Bruk bare ladere av typen som følger med apparatet / verktøyet.
- ◆ Følg instruksene som finnes i avsnittet "Miljø" når du skal kaste batterier.
- ◆ Ikke skad eller deformer batteripakken ved punktering eller støt, da dette kan føre til risiko for personskade og brann.
- ◆ Ikke lad skadede batterier.
- ◆ Under ekstreme forhold kan det forekomme batterilekkasje. Hvis du oppdager væske på batteriene, må du tørke den forsiktig av med en klut. Unngå kontakt med huden.
- ◆ Hvis væsken kommer i kontakt med huden eller øynene, følger du instruksjonene nedenfor.

Advarsel! Batterivæsken kan føre til personskade eller skade på eiendom. Ved hudkontakt skyller du umiddelbart med vann. Hvis huden blir rød eller irritert eller smerter inntreffer, søk øyeblikkelig medisinsk hjelp. Hvis væsken kommer i kontakt med øynene, skyller du umiddelbart med vann og søker øyeblikkelig medisinsk hjelp.

Ladere

Ladere er konstruert for en bestemt spenning. Kontroller alltid at nettspenningen er i overensstemmelse med spenningen på typeskiltet.

Advarsel! Prøv aldri å skifte ut ladere med et vanlig nettstøpsel.

- ◆ Black & Decker-ladere skal bare brukes til å lade batteriet i apparatet/verktøyet som ladere kom sammen med. Andre batterier kan sprekke og føre til personskade og materiell skade.
- ◆ Prøv aldri å lade ikke-oppladbare batterier.

- ◆ Hvis strømledningen blir skadet, må den skiftes av produsenten eller et autorisert Black & Decker-servicesenter for å unngå fare.
- ◆ Ikke utsett ladere for vann.
- ◆ Ikke åpne ladere.
- ◆ Ikke stikk gjenstander eller fingre ned i ladere.
- ◆ Apparatet/batteriet må plasseres på et sted med god gjennomlufting når det lades.

Elektrisk sikkerhet



Dette ladere er dobbeltisolert. Jording er derfor ikke nødvendig. Kontroller alltid at nettspenningen er i overensstemmelse med spenningen på typeskiltet.

- ◆ Hvis strømledningen blir skadet, må den skiftes av produsenten eller et autorisert Black & Decker-servicesenter for å unngå fare.
- ◆ Prøv aldri å skifte ut ladere med et vanlig nettstøpsel.

Merking på verktøy

Følgende symboler vises på verktøyet:



Les håndboken før du bruker luftpumpen.



Ikke utsett apparatet for regn eller høy fuktighet.



Før du utfører vedlikehold på eller rengjøring av apparatet, må du koble fra strømledningen.



Ikke forlat luftpumpen uten tilsyn.

Funksjoner

1. Av/på-strømbryter
2. LCD
3. Håndtak
4. Pumpetømmingskobling for høyt volum
5. Luftslange med universalventiladapter
6. Universalventiladapter
7. Høyvolumslange
8. Kjøretøykobling for 12 V likestrøm
9. Ladeplugg
10. Pumpefyllingskobling for høyt volum
11. Ladepluggkontakt
12. LED-lys
13. Lader
14. Oppbevaringsrom for tilbehør

Figur A

15. Laddnings-LED

Før bruk (figur A)

Det interne batteriet må lades i 4 til 5 timer ved bruk av vekselstrømladeren (13) som følger med.

- ◆ Sett laddningspluggen (9) i laddningspluggkontakten (11) foran på enheten.
- ◆ Sett vekslestrømladeren (13) inn en nettstikkontakt.
- ◆ LED-en (15) på vekslestrømladeren (13) indikerer laddningsnivået. Rød: enheten lades. Grønn: Enheten er ladet.
- ◆ Når enheten er helt oppladet, tar du vekslestrømladeren ut av stikkkontakten og tar ladepluggen ut av enheten.

Merknad: Oppbevar vekslestrømladeren på et sikkert sted for senere bruk.

Bruk

Oppbevaring av slange og ledning (figur B–D)

- ◆ Snurr ledningen (17) for 12 V likestrøm rundt foten på enheten og plasser adapteren for 12 V likestrøm (8) i oppbevaringsrommet (16) som vist i figur B og drei deretter 90° for å feste den.
- ◆ luftslangen (5) er plassert i oppbevaringskanalen (26) rundt toppen av enheten (figur C). Kontroller at slangen er klikket på plass i holdeklipsene og at hendelen (19) er i øvre stilling (fig. D).
- ◆ Høyvolumslangen (7) er oppbevart i en oppbevaringskanal rundt midten av enheten og klikker i posisjon i begge ender. Tilbehøret (14) oppbevares foran på enheten.

Montering av tilbehør (figur D og G–I)

Det følger standard koniske dyser og nålepumpedyse med luftpumpen, og disse oppbevares foran på enheten (14).

- ◆ Når du skal bruke universalventiladapteren (6), må du passe på at hendelen (19) er i øvre stilling.
- ◆ Plasser universalventiladapteren (6) over stammen til pumpenålen eller den koniske dysen (figur D).
- ◆ Trykk hendelen (19) på universalventiladapteren (6) ned for å låse den på plass.
- ◆ Sett pumpenålen eller den koniske dysen inn i gjenstanden som skal pumpes opp.

Merknad: Pass alltid på at håndtaket er i øvre stilling når luftpumpen ikke er i bruk. Luftpumpen skal bare brukes med universalventiladapteren eller dysene som følger med.

Merknad: Pass på at universalventiladapteren sitter godt på plass før du skrur på luftpumpen.

Det følger en høyvolumadapter med luftpumpen (24).

Denne oppbevares foran på enheten (figur G).

- ◆ Når du skal bruke høyvolumadapteren (24), fjerner du den fra koblingen for høyvolumfylling (10).
- ◆ Ta høyvolumslangen (7) ut av oppbevaringsrommet.

- ◆ Fjern den koniske dysen (18) fra enden av høyvolumslangen (7).
- ◆ Sett høyvolumadapteren (24) på enden av høyvolumslangen (figur H).

Mange gjenstander som kan blåses opp, har en innvendig klaff som hindrer luft i å strømme ut under oppblåsing. Dette gjelder spesielt luftmadrasser. Hvis ikke dysen skyver bort denne klaffen, blir ikke gjenstanden blåst opp. Trykk dysen bestemt inn i ventilen for å sikre at du skyver denne klaffen unna.

Advarsel! For høyt lufttrykk kan føre til fare og risiko for eksplosjon eller personskade. Kontroller produsentens normerte maksimumstrykk for enheter du blåser opp.

Merknad: Hvis det normerte trykket for gjenstanden som blåses opp, er over 100 PSI / 6,89 BAR / 689 KPA, er maksimal kjøringstid 10 minutter. La luftpumpen hvile i 20 minutter før den brukes igjen.

Bruke luftpumpen (figur E)

Advarsel! Ikke bruk luftpumpen mens bilmotoren går.

Merknad: Kontroller at det er strøm i tilbehørskontakten for 12 volt likestrøm. På noen kjøretøyer kan det hende nøkkelen må være i tilbehørsstilling for at det skal være strøm i tilbehørskontakten.

Slik aktiverer du displayet med adapteren for 12 V likestrøm:

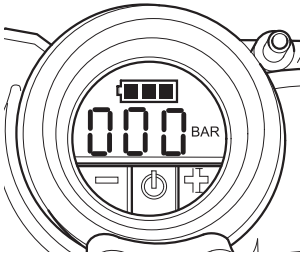
- ◆ Trekk alltid ledningen for 12 volt likestrøm helt ut før bruk.
- ◆ Koble adapteren (8) for 12 volt likestrøm til kjøretøyets tilbehørskontakt for 12 volt likestrøm.
- ◆ Skyv av/på-strømbryteren (1) til fyllingsstillingen (c), og LCD-en aktiveres.

Slik aktiverer du LCD-en med det interne batteriet (bruk uten ledning):

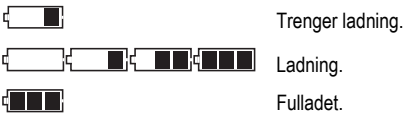
- ◆ Skyv av/på-strømbryteren (1) til fyllingsstillingen (c), og LCD-en aktiveres.

Advarsel! Ikke la luftpumpen gå uten tilsyn. Dekk eller andre gjenstander kan eksplodere.

Angi ønsket trykk (figur E)



Merknad: LCD-en viser bare fyllingstrykk når luftpumpen brukes. Batteristatus vises alltid.



Merknad: Før enheten kan brukes, må du aktivere funksjonen for automatisk stopp (bare fyllingsmodus).

- Når du skal bytte mellom de ulike enhetene (PSI, BAR eller KPA), trykker du på knappene - og + (21, 23) samtidig til den ønskede enheten vises.
- Trykk på og hold inne en av knappene - eller + (21, 23) i 3 sekunder til displayet blinker.
- Mens displayet blinker, trykker du på knappen - eller + (21, 23) til det ønskede trykket vises.
- Etter 3 sekunder blinker displayet og går tilbake til å vise "0,0 PSI / 0,00 BAR / 0 KPA". Dette er normalt.
- Koble universalventiladapteren (6) og om ønskelig et tilbehør til gjenstanden som skal blåses opp, og pass på at hendelen (19) på ventiladapteren er i nedre stilling så den er låst på plass.

Merknad: Kontroller at universalventiladapteren, sitter korrekt på gjenstanden som skal blåses opp.

- Når du skal starte luftpumpen, trykker du på strømknappen (22) på LCD-en.
- Når gjenstanden som skal blåses opp, har nådd den forhåndsinnstilte verdien, stopper enheten automatisk.

Merknad: Det kan hende du ser at det faktiske trykket faller etter et par sekunder, og dette er normalt.

- Du kan når som helst stoppe luftpumpen ved å trykke på strømknappen (22) på LCD-en.
- Fjern ventiladapteren eller tilbehøret fra gjenstanden som er blåst opp, og fjern adapteren (6) for 12 volt likestrøm fra tilbehørskontakten for 12 volt likestrøm i kjøretøyet.
- Skyv av/på-strømbryteren (1) til av-stillingen (b).

Merknad: Hvis av/på-strømbryteren er slått av, forsvinner alle innstillinger, og du må angi dem på nytt som forklart i instruksjonene under overskriften "Angi ønsket trykk".

Dette er en sikkerhetsfunksjon for å forebygge risiko for at gjenstander blir BLÅST OPP FOR MYE.

Bruke luftpumpen som trykkmåler

- Skyv av/på-strømbryteren (1) til fyllingsstillingen (c figur E).
- Koble universalventiladapteren (6) til gjenstanden som skal kontrolleres.
- LCD-en viser trykket i gjenstanden.
- Etter kontrollen setter du av / på-strømbryteren (1) på av og plasserer luftslangen i oppbevaringsrommet.

Bruke høyvolumpumpen

Merknad: Ikke bruk pumpen mens motoren i kjøretøyet går.

Merknad: Kontroller at det er strøm i tilbehørskontakten for 12 volt likestrøm. På noen kjøretøyer kan det hende nøkkelen må være i tilbehørsstilling for at det skal være strøm i tilbehørskontakten.

Når du skal fylle med høyvolumpumpen (for eksempel luftmadrasser, flåter eller bademadrasser):

Merknad: Pumpen HAR IKKE en automatisk stoppefunksjon.

- Skyv av/på-strømbryteren (1) til pumpestillingen (a, figur E).
- Ta høyvolumslangen (7) ut av oppbevaringskanalen rundt midten av enheten og sett den på pumpefyllingskoblingen for høyt volum (10) (figur F).
- Sett slangen (med eventuelt tilbehør) inn i gjenstanden som skal blåses opp.
- Når du skal starte pumpen, trykker du på strømknappen (22) på LCD-en.
- Når gjenstanden er blåst opp tilstrekkelig, eller når som helst hvis du vil stoppe pumpen, trykker du på strømknappen (22) på LCD-en.
- Ta slangen ut av gjenstanden og oppbevar den i enheten.
- Sett av/på-strømbryteren (1) i av-stillingen (b figur E).

Når du skal tømme med høyvolumpumpen (for eksempel luftmadrasser, flåter eller bademadrasser):

Merknad: Pumpen HAR IKKE en automatisk stoppefunksjon.

- Sett av/på-strømbryteren (1) til pumpestillingen (a figur E).
- Ta høyvolumslangen (7) ut av oppbevaringskanalen rundt midten av enheten og sett den på pumpefyllingskoblingen for høyt volum (4) (figur F).
- Sett slangen (med eventuelt tilbehør) inn i gjenstanden som skal tømmes.

- ◆ Når du skal starte pumpen, trykker du på strømknappen (22) på LCD-en.
- ◆ Når gjenstanden er tømt tilstrekkelig, eller når som helst hvis du vil stoppe pumpen, trykker du på strømknappen (22) på LCD-en.
- ◆ Ta høyvolumslangen (7) ut av gjenstanden og oppbevar den i oppbevaringskanalen rundt midten av enheten.
- ◆ Sett av/på-strømbryteren (1) i av-stillingen (b figur E).

Bruke LED-lyset

Slik slår du på LED-lyset (12):

- ◆ Sett av/på-strømbryteren (1) i fyllingsstillingen (c figur E) eller pumpestillingen (a figur E).
- ◆ Trykk på én av knappene - eller + (21, 23) på LCD-en (2) for å slå LED-lyset (12) på.

Slik slår du av LED-lyset (12):

- ◆ Trykk på én av knappene - eller + (21, 23) igjen.
- ◆ Sett av/på-strømbryteren (1) på av.

Hvilemodus for å forlenge batteriets levetid

Enheden er utstyrt med en hvilemodus som bidrar til å forlenge levetiden for det interne batteriet.

Hvis enheten står på og ikke brukes på to minutter, går enheten automatisk til hvilemodus.

- ◆ Når du skal aktivere enheten igjen, slår du av/på-strømbryteren (1) på og av eller trykker på en av knappene på LCD-en (2).

Merknad: Etter hvilemodus forsvinner alle innstillinger, og du må angi dem på nytt som forklart i instruksjonene under overskriften "Angi ønsket trykk".

Vedlikehold

Det nettdrevne/batteridrevne Black & Decker-apparatet/verktøyet er konstruert for å være i drift over lengre tid med et minimum av vedlikehold. Apparatet/verktøyet er avhengig av riktig stell og regelmessig rengjøring for å fungere som det skal til enhver tid.

Advarsel! Før du utfører vedlikehold på nettdrevne/batteridrevne apparater/verktøy:

- ◆ Slå av apparatet/verktøyet og trekk ut støpselet.
- ◆ Eller slå av apparatet/verktøyet og fjern batteriet fra dette hvis apparatet/verktøyet har separat batteripakke.
- ◆ Fjern laderen fra stikkkontakten før du rengjør den. Laderen krever ikke annet vedlikehold enn regelmessig rengjøring.
- ◆ Rengjør ventilasjonsåpningene i apparatet/verktøyet/laderen jevnlig med en myk børste eller tørr klut.
- ◆ Rengjør huset regelmessig med en fuktig klut. Ikke bruk slipende eller løsemiddelbaserte rengjøringsmidler.
- ◆ Åpne chucken regelmessig og bank på den for å fjerne eventuelt støv fra innsiden (hvis en slik er montert).

Problemløsning

Problem	Mulig årsak	Mulig løsning
Luftpumpen virker ikke.	Feil ved internt batteri. Adapteren for 12 volt likestrøm er ikke tilkoblet. Det er ikke strøm i tilbehørskontakten. Av/på-strømbryteren er ikke i riktig stilling.	Lad batteriet. Koble til adapteren for 12 volt likestrøm. Sett nøkkelen i tilbehørsstilling. Sett av/på-strømbryteren i riktig stilling.
	Ingen forhåndsinnstilt verdi er angitt. Sikringen i adapteren for 12 volt likestrøm er gått.	Angi forhåndsinnstilt verdi. Erstatt sikringen med en av samme størrelse og type (8 A / 250 V).
	Ledningen eller bryteren er skadet.	Få byttet ledningen eller bryteren ved et Black & Decker-servicesenter eller et autorisert servicesenter.
Blåser ikke opp.	Feil modus er valgt.	Velg korrekt modus.
LCD lyser ikke.	Enheden er i hvilemodus.	Trykk på hvilken som helst knapp på LCD-en eller av/på-strømbryteren.

Bytte sikring i tilbehørspuggen for likestrøm i kjøretøyet

- ◆ Ta av hetten ved å skru den mot klokken.
- ◆ Ta av hetten og pinnen i midten.
- ◆ Ta ut sikringen.
- ◆ Sett inn en ny sikring med samme type og størrelse (8 A / 250 V).
- ◆ Sett på hetten og pinnen i midten igjen.
- ◆ Fest hetten ved å skru den med klokken på pluggen.

Miljø



Separat avfallshåndtering. Dette produktet må ikke kastes sammen med vanlig husholdningsavfall.

Hvis du synes Black & Decker-produktet bør skiftes ut, eller du ikke har bruk for det lenger, må du ikke kaste det sammen med husholdningsavfall. Sørg for separat avfallshåndtering for dette produktet.



Hvis brukte produkter og emballasje leveres atskilt, kan materialer resirkuleres og brukes på nytt. Gjenbruk av resirkulerte materialer bidrar til redusert miljøforurensing og reduserer behovet for råmaterialer.

Det kan være lokale bestemmelser for separat avfallshåndtering for elektriske produkter fra husstander på kommunale avfallsplasser eller hos forhandleren, når du kjøper et nytt produkt.

Black & Decker har en ordning for innsamling og resirkulering av Black & Decker-produkter som ikke skal brukes lenger. Du kan benytte denne tjenesten ved å levere produktet til et hvilket som helst autorisert serviceverksted.

Du kan finne ut hvor nærmeste autoriserte serviceverksted er, ved å kontakte din lokale Black & Decker-avdeling på adressen som er oppgitt i denne håndboken. En oversikt over autoriserte Black & Decker-serviceverksteder og alle opplysninger om ettersalgsservice og kontakter er også tilgjengelig på Internett: www.2helpU.com.

Tekniske data

ASI500 H1	
Inngangsspenning	V DC 12
Inngangsstrøm	A 8
SLA (tett blybatteri)	At 3,2
Trykk (maks.)	PSI/BAR/KPA 160/11,03/1103
Vekt	kg 3.03

Lader	
Inngangsspenning	V AC 230
Utgangsspenning	V DC 12
Utgangsstrøm	A 1

Garanti

Black & Decker er trygg på kvaliteten på sine produkter og tilbyr en enestående garanti. Denne garantierklæringen kommer i tillegg til dine lovbestemte rettigheter og er ikke i konflikt med disse. Garantien er gyldig i EU- og EFTA-medlemsstatene.

Hvis et Black & Decker-produkt går i stykker på grunn av material- og/eller fabrikkasjonsfeil eller har mangler i forhold til spesifikasjonene innen 24 måneder fra kjøpet, påtar Black & Decker seg å skifte ut defekte deler, reparere produkter som har vært utsatt for alminnelig slitasje, eller bytte ut slike produkter med minst mulig vanskelighet for kunden, med mindre:

- ◆ produktet har vært brukt i yrkes-/næringsvirksomhet eller til utleie.
- ◆ produktet har vært utsatt for feilaktig bruk eller forsømmelse.
- ◆ produktet har blitt skadet av fremmede gjenstander eller stoffer eller ved et uhell.
- ◆ andre enn autoriserte serviceverksteder eller Black & Deckers serviceteknikere har forsøkt å reparere produktet.

For å ta garantien i bruk må du vise kjøpskvittering til forhandleren eller til et autorisert serviceverksted.

Du kan finne ut hvor nærmeste autoriserte serviceverksted er, ved å kontakte din lokale Black & Decker-avdeling på adressen som er oppgitt i denne håndboken. En oversikt over autoriserte Black & Decker-serviceverksteder og alle opplysninger om ettersalgsservice og kontakter er også tilgjengelig på Internett: www.2helpU.com.

Besøk vårt webområde www.blackanddecker.no for å registrere ditt nye Black & Decker-produkt og for å holde deg oppdatert om nye produkter og spesialtilbud. Du finner mer informasjon om Black & Decker og produktutvalget vårt på www.blackanddecker.no.

Anvendelsesområde

Din Black & Decker-pumpestation er beregnet til trådløs brug eller i de fleste køretøjer vha. 12 V-stikket til oppumpning af bil- og cykeldæk, bolde, gummibåde, luftmadrasser etc. Dette produkt er kun beregnet til privat brug.

Sikkerhedsanvisninger

Advarsel! Ved brug af apparater, der strømforsynes fra batterier, er det vigtigt, at grundlæggende sikkerhedsforholdsregler, herunder bl.a. nedenstående, altid følges for at mindske risikoen for brand, elektrisk stød, personskade og materiel skade.

- ◆ Læs hele vejledningen omhyggeligt, før du bruger apparatet.
- ◆ Den tilsigtede brug er beskrevet i denne vejledning.
- ◆ Brugen af ekstraudstyr eller tilbehør eller udførelse af andet arbejde med dette apparat end det, der anbefales i denne vejledning, kan udgøre en risiko for personskade.
- ◆ Opbevar denne vejledning til senere brug.

Brug af apparatet

- ◆ Vær altid forsigtig ved brug af apparatet.
- ◆ Nedsænk ikke apparatet i vand.
- ◆ Åbn ikke kabinettet. Der er ingen dele inde i kabinettet, som kan serviceres af brugeren.
- ◆ Brug ikke apparatet i eksplosive omgivelser, f.eks. hvor der er brændbare væsker, gasser eller støv.
- ◆ For at reducere risikoen for beskadigelse af stik og ledninger må du aldrig trække i ledningen for at tage stikket ud af en stikkontakt.

Efter brug

- ◆ Opbevar apparatet på et tørt, godt ventileret sted uden for børns rækkevidde, når det ikke er i brug.
- ◆ Opbevar apparater utilgængeligt for børn.
- ◆ Når apparatet opbevares eller transporteres i et køretøj, skal det anbringes i bagagerummet eller fastgøres for at forhindre bevægelse som følge af pludselige ændringer i hastighed eller retning.
- ◆ Apparatet skal beskyttes mod direkte sollys, varme og fugt.

Eftersyn og reparationer

- ◆ Før brug skal apparatet kontrolleres for beskadigede eller defekte dele. Se efter knækkede dele, skader på kontakter og eventuelle andre tilstande, der kan påvirke apparatets funktion.
- ◆ Brug ikke apparatet med beskadigede eller defekte dele.

- ◆ Få beskadigede eller defekte dele repareret eller udskiftet på et autoriseret værksted.
- ◆ Forsøg aldrig at fjerne eller udskifte dele ud over dem, der er beskrevet i denne vejledning.

Yderligere sikkerhedsvejledninger for pumper

- ◆ Kun til brug i hjemmet og i bilen. Oppump bil- og cykeldæk, bolde, luftmadrasser etc. i og omkring hjemmet.
- ◆ Indånd ikke komprimeret luft fra pumpen. Indånd aldrig luften fra pumpen eller fra en åndedrætsenhed, der er sluttet til pumpen.
- ◆ Oppump kun genstande i henhold til producenternes anbefalinger. Overskrides deres nominelle tryk, kan de eksplodere, hvilket kan medføre personskade.
- ◆ Lad ikke pumpen køre uden opsyn. Dæk eller andre genstande kan eksplodere.
- ◆ Da de vibrationer, som pumpen frembringer, kan medføre, at den bevæger sig, må den ikke anvendes på en høj hyld eller lignende. Anvend den i gulv- eller siddehøjde.
- ◆ Foretag ikke ændringer ved pumpen, og forsøg ikke at reparere den. Bor ikke hul i pumpen, svejs ikke på den, og foretag ikke ændringer på den eller dens tilbehør.
- ◆ Betjen ikke pumpen, mens bilens motor kører.
- ◆ Anvend den kun med det medfølgende tilbehør eller tilbehør klassificeret til 160 PSI / 11,03 BAR / 1103 KPA eller derover. Brug af tilbehør, som ikke anbefales sammen med dette værktøj, kan være farligt.
- ◆ Leg ikke med værktøjet. Luft under højt tryk kan være farligt. Ret ikke luftstrømmen mod dig selv eller andre.
- ◆ Pumpen kan blive varm under brug. Lad pumpen køle af i 30 minutter, inden den sættes væk.
- ◆ Bær aldrig pumpen i slangen.
- ◆ Ret ikke dysen eller slangen mod dyr eller personer i nærheden.
- ◆ Opbevar pumpen uden for mindre børns rækkevidde.
- ◆ Måleren er kun vejledende. Dækttryk skal kontrolleres regelmæssigt vha. en certificeret trykmåler.
- ◆ Kontroller strømforsyningsledningen for tegn på beskadigelse, ældning og slid før brug.
- ◆ Brug ikke apparatet, hvis strømforsyningsledningen eller stikket er beskadiget eller ødelagt (hvis relevant).

Andres sikkerhed

- ◆ Dette apparat må ikke bruges af personer (herunder børn) med nedsatte fysiske, sensoriske eller mentale evner eller manglende erfaring og viden, med mindre det sker under overvågning, eller der gives instruktion i brugen af apparatet af en person, der er ansvarlig for deres sikkerhed.
- ◆ Børn skal holdes under opsyn, så det sikres, at de ikke leger med værktøjet.

Yderligere sikkerhedsvejledninger for batterier og ladere

Batterier

- ◆ Forsøg aldrig at åbne uanset årsag.
- ◆ Batteriet må ikke udsættes for fugt.
- ◆ Batteriet må ikke udsættes for varme.
- ◆ Opbevar ikke batterier på steder, hvor temperaturen kan overstige 40°C.
- ◆ Oplad kun ved omgivelsestemperaturer mellem 10°C og 40°C.
- ◆ Brug kun den oplader, der fulgte med apparatet/ værktøjet, til opladning.
- ◆ Følg ved bortskaffelse af batterier vejledningen i afsnittet "Miljøbeskyttelse".
- ◆ Undgå at beskadige/deformere batteripakken ved at punktere den eller slå på den, da dette kan forårsage risiko for tilskadekomst eller brand.
- ◆ Beskadigede batterier må ikke oplades.
- ◆ Under ekstreme forhold kan der forekomme batterilækage. Hvis du bemærker væske på batterierne, skal du omhyggeligt tørre den af med en klud. Undgå kontakt med huden.
- ◆ I tilfælde af kontakt med hud eller øjne, skal du følge nedenstående anvisninger.

Advarsel! Batterivæsken kan forårsage personskade eller materielle skader. I tilfælde af kontakt med huden skylles straks med vand. Søg læge, hvis der opstår rødme, smerte eller irritation. Skyl straks med rent vand, og søg læge i tilfælde af kontakt med øjnene.

Ladere

Ladere er udviklet til en specifik spænding. Kontroller altid, at netspændingen svarer til spændingen på typeskiltet.

Advarsel! Forsøg aldrig at erstatte laderenheden med et almindeligt netstik.

- ◆ Brug kun din Black & Decker-lader til at oplade batteriet i det apparat/værktøj, som den blev leveret sammen med. Andre batterier kan eksplodere og forårsage personskade og materiel skade.
- ◆ Forsøg aldrig at oplade ikke-genopladelige batterier.

- ◆ Hvis netledningen beskadiges, skal den udskiftes af producenten eller et autoriseret Black & Decker-værksted, så farlige situationer undgås.
- ◆ Laderen må ikke udsættes for fugt.
- ◆ Laderen må ikke åbnes.
- ◆ Undersøg ikke laderen.
- ◆ Apparatet/værktøjet/batteriet skal anbringes et sted med god udluftning, når det oplades.

Elektricitet og sikkerhed



Ladere er dobbelt isoleret. Derfor er en jordledning ikke nødvendig. Kontroller altid, at netspændingen svarer til spændingen på typeskiltet.

- ◆ Hvis netledningen beskadiges, skal den udskiftes af producenten eller et autoriseret Black & Decker-værksted, så farlige situationer undgås.
- ◆ Forsøg aldrig at erstatte laderenheden med et almindeligt netstik.

Mærkater på værktøj

Følgende symboler er anbragt på værktøjet:



Læs brugervejledningen, før pumpen tages i brug.



Udsæt ikke apparatet for regn eller høj luftfugtighed.



Tag stikket ud, før apparatet vedligeholdes eller rengøres.



Efterlad ikke pumpen uden opsyn.

Funktioner

1. Hovedafbryder
2. LCD-display
3. Håndtag
4. Højvolumen-deflationstilslutning
5. Luftslange med universalventiladapter
6. Universalventiladapter
7. Højvolumen-slange
8. 12 V-adapter
9. Laderjackstik
10. Højvolumen-oppumpningstilslutning
11. Jackstikkontakt
12. LED-lys
13. Lader
14. Rum til opbevaring af tilbehør

Fig. A

15. Lade-LED

Før brug (fig. A)

Det indbyggede batteri skal genoplades i 4 til 5 timer vha. den medfølgende lader (13).

- ◆ Sæt jackstikket (9) i jackstikkontakten (11) på forsiden af apparatet.
- ◆ Sæt laderen (13) i en stikkontakt.
- ◆ LED'en (15) på laderen (13) angiver ladeniveauet. Rød - oplader, grøn - opladet.
- ◆ Tag laderen ud af stikkontakten, og fjern jackstikket fra apparatet efter opladning.

Bemærk: Opbevar laderen på et sikkert sted til senere brug.

Anvendelse**Opbevaring af slange og ledning (fig. B - D)**

- ◆ Vikl 12 V-ledningen (17) omkring enhedens nederste del, og placer 12 V DC-adapteren (8) i opbevaringsposition (16) som vist i fig. B. Drej derefter til 90° for at fastgøre.
- ◆ Luftslangen (5) sidder i opbevaringskanalen (26) rundt om toppen af enheden (fig. C). Kontroller, at slangen sidder fast i holdeklipsen, og at grebet (19) står i øverste stilling (fig. D).
- ◆ Højvolumen-slangen (7) sidder i opbevaringskanalen rundt om midten af enheden og holdes fast i begge ender. Tilbehøret (14) opbevares på forsiden af enheden.

Montering af tilbehøret (fig. D, G - I)

Der følger tilspidsede standarddyser og en kanylepumpe-dyse med pumpen. Dette tilhører opbevares på forsiden af enheden (14).

- ◆ For at bruge universalventiladapteren (6) skal grebet (19) stå i øverste stilling.
- ◆ Anbring universalventiladapteren (6) over pumpekanylen eller den tilspidsede dyse (fig. D).
- ◆ Tryk grebet (19) på universalventiladapteren (6) ned for at låse den på plads.
- ◆ Anbring pumpekanylen eller den tilspidsede dyse i den genstand, der skal pumpes op.

Bemærk: Grebet skal altid stå i øverste stilling, når pumpen ikke er i brug. Anvend kun pumpen sammen med universalventiladapteren eller med de medfølgende dyser.

Bemærk: Kontroller, at universalventiladapteren er låst på plads, inden pumpen startes.

Med pumpen følger en højvolumen-adaptør (24).

Den opbevares på forsiden af enheden (fig. G).

- ◆ Fjern højvolumen-adaptøren (24) fra højvolumen-oppumpningstilslutningen (10) for at bruge den.
- ◆ Tag højvolumen-slangen (7) ud af opbevaringsrummet.

- ◆ Tag den tilspidsede dyse (18) ud af enden af højvolumen-slangen (7).
- ◆ Monter højvolumen-adaptøren (24) på enden af højvolumen-slangen (fig. H).

Mange oppustelige genstande har en indbygget flap, som forhindrer lufttab under oppumpningen, især luftmadrasser. Dysen skal flytte denne flap, for at genstanden kan pumpes op. Skub dysen helt ind i ventilen, for at sikre at flappen flyttes.

Advarsel! Et for kraftigt lufttryk kan medføre risiko for eksplosion eller personskade. Kontroller producentens maksimale, nominelle tryk, inden en genstand pumpes op.

Bemærk: Hvis det nominelle tryk for den genstand, der pumpes op, er over 100 PSI / 6,89 BAR / 689 KPA, skal det bemærkes, at den maksimale køretid er 10 minutter, hvorefter pumpen skal stå stille i 20 minutter, før den bruges igen.

Betjening af pumpen (fig. E)

Advarsel! Anvend ikke pumpen, mens bilens motor kører.

Bemærk: Kontroller, at 12 V-tilbehørsstikket er strømførende. Nogle biler kræver, at tændingen er slået til, for at tilbehørsstikket får strøm.

Strømforsyning af displayet fra 12 V-adapteren:

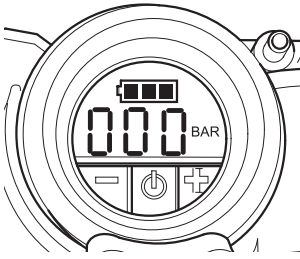
- ◆ Træk altid 12 V-ledningen helt ud inden brug.
- ◆ Sæt 12 V-adapteren (8) i køretøjets 12 V-tilbehørsstik.
- ◆ Sæt hovedafbryderen (1) i oppumpningsposition (c) for at tænde LCD-displayet.

Strømforsyning af LCD-displayet fra det indbyggede batteri (trådløs brug):

- ◆ Sæt hovedafbryderen (1) i oppumpningsposition (c) for at tænde LCD-displayet.

Advarsel! Lad ikke pumpen køre uden opsyn. Dæk eller andre genstande kan eksplodere.

Indstilling af det ønskede tryk (fig. E)



Bemærk: LCD-displayet viser kun oppumpningstryk, når pumpen anvendes. Batteristatus vises altid.



Opladning nødvendig.



Lader.



Fuldt opladet.

Bemærk: Du skal indstille den automatiske nedlukningsfunktion, før enheden fungerer (kun oppumpningstilstand).

- Tryk på knapperne - eller + (21, 23) samtidig, til den ønskede enhed vises for at skifte mellem de forskellige enheder (PSI, BAR eller KPA).
- Hold knappen - eller + (21, 23) nede i 3 sekunder, til displayet blinker.
- Tryk på knappen - eller + (21, 23), mens displayet blinker, til det ønskede tryk vises.
- Efter 3 sekunder blinker displayet og vender tilbage til visningen "0.0 PSI / 0,00 BAR / 0 KPA". Det er normalt.
- Slut om nødvendigt universalventiladapteren (6) og tilbehør til den genstand, der skal pumpes op; kontroller, at grebet (19) på ventiladapteren er i nederste stilling, og lås det på plads.

Bemærk: Kontroller, at universalventiladapteren er korrekt monteret på den genstand, der skal pumpes op.

- Tryk på strømknappen (22) på LCD-displayet for at starte pumpen.
- Når den genstand, der skal pumpes op, har nået den indstillede værdi, stopper pumpen automatisk.

Bemærk: Den faktiske trykaf læsning kan falde en smule efter nogle sekunder; dette er normalt.

- Pumpen kan når som helst stoppes ved at trykke på strømknappen (22) på LCD-displayet.
- Tag ventiladapteren eller tilbehøret ud af den oppumpede genstand og 12 V-adapteren (6) ud af køretøjets 12 V-tilbehørsstik.
- Sæt hovedafbryderen (1) i slukket position (b).

Bemærk: Hvis der slukkes på hovedafbryderen, går alle indstillinger tabt og skal indtastes igen som beskrevet under "Indstilling af det ønskede tryk". Dette er en sikkerhedsfunktion til forhindring af risikoen for, at genstande PUMPES FOR KRAFTIGT OP.

Brug af pumpen som trykmåler

- Sæt hovedafbryderen (1) i oppumpningsposition (c, fig. E).
- Slut universalventiladapteren (6) til den genstand, der skal kontrolleres.
- LCD-displayet viser trykket i genstanden.
- Sæt hovedafbryderkontakten (1) i slukket position, og sæt luftslangen tilbage i opbevaringsrummet efter kontrol.

Betjening af højvolumen-pumpen

Bemærk: Anvend ikke pumpen, mens bilens motor kører.

Bemærk: Kontroller, at 12 V-tilbehørsstikket er strømførende. Nogle biler kræver, at tændingen er slået til, for at tilbehørsstikket får strøm.

Oppumpning vha. højvolumen-pumpen

(f.eks. luftmadrasser og badedyr):

Bemærk: Pumpen har IKKE en automatiske nedlukningsfunktion.

- Sæt hovedafbryderen (1) i oppumpningsposition (a, fig. E).
- Tag højvolumen-slangen (7) ud af opbevaringskanalen rundt om midten af enheden, og slut den til højvolumen-oppumpningstilslutningen (10) (fig. F).
- Sæt slangen (om nødvendigt med tilbehør) i den genstand, der skal pumpes op.
- Tryk på strømknappen (22) på LCD-displayet for at starte pumpen.
- Pumpen kan når som helst stoppes ved at trykke på strømknappen (22) på LCD-displayet, eller når genstanden er pumpet op.
- Tag slangen ud af genstanden, og sæt den tilbage på enheden.
- Sæt hovedafbryderen (1) i slukket position (b, fig. E).

Lufttømning vha. højvolumen-pumpen

(f.eks. luftmadrasser og badedyr):

Bemærk: Pumpen har IKKE en automatiske nedlukningsfunktion.

- Sæt hovedafbryderen (1) i oppumpningsposition (a, fig. E).
- Tag højvolumen-slangen (7) ud af opbevaringskanalen rundt om midten af enheden, og slut den til højvolumen-deflationstilslutningen (4) (fig. F).
- Sæt slangen (om nødvendigt med tilbehør) i den genstand, der skal tømmes for luft.

- ◆ Tryk på strømknappen (22) på LCD-displayet for at starte pumpen.
- ◆ Pumpen kan når som helst stoppes ved at trykke på strømknappen (22) på LCD-displayet, eller når genstanden er tømt for luft.
- ◆ Tag højvolumen-slangen (7) ud af genstanden, og sæt den tilbage i opbevaringskanalen rundt om midten af enheden.
- ◆ Sæt hovedafbryderen (1) i slukket position (b, fig. E).

Betjening af LED-lyset

Sådan tændes LED-lyset (12):

- ◆ Sæt hovedafbryderen (1) i oppumpnings- (c, fig. E) eller pumpeposition (a, fig. E).
- ◆ Tryk på knappen - eller + (21, 23) på LCD-displayet (2) for at tænde LED-lyset (12).

Sådan slukkes LED-lyset (12):

- ◆ Tryk på knappen - eller + (21, 23) igen.
- ◆ Sæt hovedafbryderen (1) i slukket position.

Dvaledstilstand til batteribesparelse

Enheden er udstyret med en dvalefunktion, som forlænger det indbyggede batteris levetid.

Hvis enheden er tændt og ikke bruges i to minutter, skifter den til dvaledstilstand.

- ◆ Tænd og sluk på hovedafbryderen (1), eller tryk på en vilkårlig knap på LCD-displayet (2) for at strømforsyne enheden igen.

Bemærk: Efter dvaledstilstand går alle indstillinger tabt og skal indtastes igen som beskrevet under "Indstilling af det ønskede tryk".

Vedligeholdelse

Dit Black & Decker-apparat/værktøj med eller uden ledning er beregnet til brug gennem lang tid med et minimum af vedligeholdelse. Fortsat tilfredsstillende drift afhænger af korrekt behandling af apparatet/værktøjet samt regelmæssig rengøring.

Advarsel! Før udførelse af nogen form for vedligeholdelse eller rengøring af apparater/værktøjer med eller uden ledning:

- ◆ Sluk, og tag apparatets/værktøjets stik ud af stikkontakten.
- ◆ Eller sluk og fjern batteriet fra apparatet/værktøjet, hvis det har en separat batteripakke.
- ◆ Træk laderen ud af stikkontakten, før den rengøres. Laderen kræver ingen vedligeholdelse, men skal rengøres jævnligt.
- ◆ Rengør jævnligt apparatets/værktøjets/laderens ventilationshuller med en blød børste eller en tør klud.

- ◆ Rengør jævnligt kabinettet med en fugtig klud. Brug ikke skuremidler eller opløsningsmidler.
- ◆ Åbn jævnligt patronen, og bank på den for at fjerne indvendigt støv (hvis monteret).

Fejlfinding

Problem	Mulig årsag	Mulig løsning
Pumpen virker ikke.	Fejl ved det indbyggede batteri.	Genoplad batteriet.
	12 V-adapteren er ikke tilsluttet.	Tilslut 12 V-adapteren.
	Tilbehørsstikket er ikke strømførende.	Drej nøglen til tilbehørsposition
	Hovedafbryderen står ikke i den korrekte position.	Sæt hovedafbryderen i den korrekte position.
	Ingen værdi indstillet.	Indstil en værdi.
	Sikringen i 12 V-adapteren er sprunget.	Udskift sikringen med en ny af samme størrelse og type (8A/250V).
	Ledningen eller kontakten er beskadiget.	Få ledningen eller kontakten udskiftet på et Black & Decker-værksted eller autoriseret servicecenter.
Pumper ikke op.	Forkert tilstand valgt.	Vælg den korrekte tilstand.
LCD-displayet lyser ikke.	Enheden er i dvaledstilstand.	Tryk på en vilkårlig knap på LCD-displayet eller hovedafbryderen.

Udskiftning af sikringen i køretøjets jævnstrømsstik til tilbehør

- ◆ Tag hættten af ved at dreje den mod uret.
- ◆ Afmonter hættten og centreringsstiften.
- ◆ Fjern sikringen.
- ◆ Monter en ny sikring af samme type og størrelse (8A/250V).
- ◆ Monter hættten og centreringsstiften igen.
- ◆ Monter hættten ved at skru den på stikket med uret.

Miljøbeskyttelse



Separat bortskaffelse. Dette produkt må ikke bortskaffes sammen med almindeligt husholdningsaffald.

Når dit Black & Decker-produkt en dag er udtjent, eller du ikke længere har brug for det, må du ikke smide det ud sammen med det almindelige affald. Produktet skal bortskaffes separat.



Ved separat bortskaffelse af brugte produkter og emballage bliver der mulighed for at genanvende forskellige materialer. Genanvendelse af materialer medvirker til at forebygge miljøforurening og mindsker behovet for råstoffer.

Lokal lovgivning kan kræve separat indsamling af elektriske husholdningsapparater på kommunale affaldsdepoter eller af den detailhandlende ved køb af et nyt produkt.

Black & Decker sørger for at indsamle og genanvende Black & Decker-produkter, når disse ikke længere kan bruges. Hvis du vil benytte dig af denne service, skal du returnere produktet til et autoriseret værksted, der indsamler produkterne for os.

Kontakt det lokale Black & Decker-kontor på den adresse, der er angivet i denne vejledning, for at få oplysninger om nærmeste autoriserede værksted. En liste over alle autoriserede Black & Decker-serviceværksteder samt servicevilkår og kontaktpersoner er tilgængelig på internettet på adressen: www.2helpU.com.

Tekniske data

ASI500 H1	
Indgangsspænding	Vdc 12
Indgangsstrøm	A 8
Forseglet blybatteri	Ah 3,2
Tryk (maks.)	PSI / BAR / KPA 160 / 11,03 / 1103
Vægt	kg 3.03

Lader	
Indgang	Vac 230
Udgangseffekt	Vdc 12
Udgangsstrømstyrke	A 1

Garanti

Black & Decker garanterer, at produktet er fri for skader og fejl og tilbyder en fremragende garanti. Garantien er et tillæg til forbrugers lovsikrede rettigheder og påvirker ikke disse. Garantien gælder inden for medlemsstaterne af den Europæiske Union og i det Europæiske Frihandelsområde.

Hvis et Black & Decker-produkt går i stykker på grund af materiel skade og/eller fabrikationsfejl eller på anden måde ikke fungerer i overensstemmelse med specifikationen inden for 24 måneder fra købsdatoen, påtager Black & Decker sig at reparere eller ombytte produktet med mindst mulig ulempe for kunden. Garantien gælder ikke for fejl og mangler, der er sket i forbindelse med:

- ◆ Produktet har været anvendt erhvervsmæssigt eller til udlejning.
- ◆ Produktet har været anvendt forkert eller er ikke vedligeholdt.
- ◆ Produktet er beskadiget af fremmedlegemer, substanser eller pga. uheld.
- ◆ Garantien gælder ikke, hvis reparationer er udført af andre end et autoriseret Black & Decker-værksted.

For at udnytte garantien skal produktet og købskvitteringen indleveres til forhandleren eller til et autoriseret værksted. Kontakt det lokale Black & Decker-kontor på den adresse, der er opgivet i denne vejledning, for at få oplysninger om nærmeste autoriserede værksted. En liste over alle autoriserede Black & Decker-serviceværksteder samt servicevilkår og kontaktpersoner er tilgængelig på internettet på adressen: www.2helpU.com

Gå venligst ind på vores website www.blackanddecker.dk for at registrere dit nye produkt og for at blive holdt ajour om nye produkter og specialtilbud. Der findes yderligere oplysninger om mærket Black & Decker og vores produktsortiment på adressen www.blackanddecker.dk.

Käyttötarkoitus

Black & Deckerin täyttölaite on tarkoitettu käytettäväksi useimpien ajoneuvojen tavallisen 12 voltin liitännän avulla, ja sillä voi täyttää esimerkiksi auton tai polkupyörän renkaita, palloja, kellukkeita tai uimapaattoja. Tuote on tarkoitettu ainoastaan kotikäyttöön.

Turvallisuusohjeet

Varoitus! Akuiasta tai pattereista virtansa saavia laitteita käytettäessä on aina noudatettava asianmukaisia turvaohjeita, jotta tulipalojen, sähköiskujen, henkilövahinkojen ja materiaaliavurioiden riski olisi mahdollisimman pieni.

- ◆ Lue nämä ohjeet huolellisesti ennen laitteen käyttöä.
- ◆ Käyttötarkoitus kuvataan ohjeissa.
- ◆ Muiden kuin ohjeissa suositeltujen lisävarusteiden tai -osien käyttö sekä laitteen käyttö muuhun kuin oppaassa suositeltuun tarkoitukseen voi aiheuttaa henkilövahingon vaaran.
- ◆ Säilytä ohjeet tulevaa tarvetta varten.

Laitteen käyttö

- ◆ Ole aina huolellinen käyttäessäsi laitetta.
- ◆ Älä upota laitetta veteen.
- ◆ Älä avaa laitteen koteloa. Sen sisällä ei ole käyttäjän huollettavissa olevia osia.
- ◆ Älä käytä laitetta räjähdysalttiissa ympäristössä, jossa on sytyvää nestettä, kaasua tai pölyä.
- ◆ Älä koskaan irrota johtoa pistorasiasta johdosta vetäen. Pistoke tai johto voi vahingoittua.

Käytön jälkeen

- ◆ Kun laitetta ei käytetä, säilytä sitä kuivassa, hyvin tuuletetussa paikassa poissa lasten ulottuvilta.
- ◆ Pidä laite lasten ulottumattomissa.
- ◆ Kun laitetta säilytetään tai kuljetetaan ajoneuvossa, sijoita se tavaratilaan tai kiinnitä se kunnolla, ettei se matkan aikana pääse liikkumaan.
- ◆ Muunnin pitää suojata suoralta auringonvalolta, kuumuudelta ja kosteudelta.

Tarkastus ja korjaus

- ◆ Tarkista ennen laitteen käyttöä, ettei laitteessa ole vahingoittuneita tai viallisia osia. Tarkista osien ja kytkimien kunto sekä muut seikat, jotka voivat vaikuttaa laitteen toimintaan.
- ◆ Älä käytä laitetta, jos jokin osa on vahingoittunut tai viallinen.

- ◆ Korjauta tai vaihdata vaurioituneet tai vialliset osat valtuutetussa huoltoliikkeessä.
- ◆ Älä koskaan yritä korjata tai vaihtaa muita kuin tässä käyttöohjeessa erikseen määriteltäviä osia.

Täyttölaitteiden lisäturvaohteet

- ◆ Laite on tarkoitettu käytettäväksi kotona tai autossa. Voit täyttää laitteella esimerkiksi auton tai pyörän renkaita, palloja ja uimapaattoja kotiympäristössä.
- ◆ Täyttölaitteesta tulevaa paineilmaa ei saa hengittää. Älä koskaan hengitä täyttölaitteesta tai täyttölaitteeseen liitetystä hengityslaitteesta tulevaa ilmaa.
- ◆ Täytä esineet valmistajan suositusten mukaan. Jos ylität enimmäispainesuosituksen, esine voi räjähtää ja aiheuttaa henkilövahingon.
- ◆ Älä jätä käytössä olevaa täyttölaitetta ilman valvontaa. Rengas tai muu esine saattaa räjähtää.
- ◆ Täyttölaitteen tärinä voi liikuttaa sitä, joten älä käytä laitetta sen ollessa korkealla hyllyllä tai muulla vastaavalla alustalla. Käytä laitetta vain sen ollessa maassa tai muulla vastaavalla tasolla.
- ◆ Älä yritä muuttaa tai korjata laitetta. Älä koskaan poraa tai hitsaa täyttölaitetta tai sen lisäosia, äläkä tee niihin mitään muutoksia.
- ◆ Älä käytä täyttölaitetta auton moottorin ollessa käynnissä.
- ◆ Käytä vain pakkauksen mukana tulleita lisävarusteita tai sellaisia lisävarusteita, joiden mitoitus on vähintään 11,03 baaria / 1103 kpa:ta / 160 psi:tä. Sellaisten lisävarusteiden käyttö, joita ei ole suositeltu käytettäväksi laitteen kanssa, saattaa johtaa vaaratilanteeseen.
- ◆ Älä leiki laitteella. Korkeapaineilma on vaarallista. Älä suuntaa ilmapirtta itseäsi tai muita ihmisiä kohti.
- ◆ Täyttölaite voi kuumentua käytön aikana. Anna täyttölaitteen jäähtyä 30 minuutin ajan ennen varastointia.
- ◆ Älä kanna täyttölaitetta letkusta.
- ◆ Älä suuntaa suutinta tai letkua eläimiä tai lähellä olevia ihmisiä kohti.
- ◆ Säilytä täyttölaitetta pienten lasten ulottumattomissa.
- ◆ Mittari on tarkoitettu vain suuntaa antavaksi. Renkaiden paine on tarkistettava säännöllisesti hyväksytyllä mittarilla.
- ◆ Tarkista ennen käyttöä, että sähköjohto ei ole vaurioitunut, vanhentunut tai kulunut.
- ◆ Älä käytä laitetta, jos virtajohto tai pistoke on vahingoittunut tai viallinen (jos laitteessa on ne).

Muiden turvallisuus

- Tätä laitetta ei ole tarkoitettu sellaisten henkilöiden käyttöön, joilla on fyysisiä tai älyllisiä rajoitteita tai aistirajoitteita, eikä laitteen toimintaan perehtymättömien henkilöiden käyttöön (lapset mukaan luettuina), paitsi valvonnan alaisina, tai jos he ovat saaneet laitteen käyttöön liittyvää opastusta heidän turvallisuudestaan vastaavalta henkilöltä.
- Lapsia on valvottava ja heitä on estettävä leikkimästä laitteella.

Akkuja ja laturia koskevat turvaohjeet

Akku

- Älä koskaan yritä avata akkua.
- Älä anna akun kastua.
- Älä altista akkua kuumuudelle.
- Älä säilytä akkua tiloissa, joissa lämpötila voi nousta yli 40 °C:n.
- Lataa akku paikassa, jonka lämpötila on vähintään 10 °C ja enintään 40 °C.
- Käytä vain laitteen/työkalun mukana toimitettua laturia.
- Noudata akkuja hävittäessäsi kohdassa Ympäristönsuojelu annettuja ohjeita.
- Suojaa akkua vahingoittumiselta niin, ettei sen kotelo rikkoudu eikä siihen kohdistu iskuja, sillä muutoin voi syntyä henkilövahinkojen ja tulipalon vaara.
- Älä lataa viallisia akkuja.
- Vaativissa oloissa voi ilmetä akkuvuotoja. Jos havaitset akkujen pinnalla nestettä, pyyhi se huolellisesti pois. Vältä ihokosketusta.
- Jos nestettä joutuu silmiin tai iholle, noudata alla olevia ohjeita.

Varoitus! Akkuneste voi aiheuttaa aineellisia vahinkoja tai henkilövahinkoja. Jos nestettä joutuu iholle, se on välittömästi huuhdeltava pois vedellä. Jos ihoa kirvelee tai se punottaa tai on muuten ärtynyt, kysy lisäohjeita lääkäriltä. Jos nestettä joutuu silmiin, huuhto välittömästi puhtaalla vedellä ja mene lääkäriin.

Laturit

Laturi on tarkoitettu tietylle jännitteelle. Tarkista aina, että verkkojännite vastaa arvokilvessä ilmoitettua jännitettä.

Varoitus! Älä yritä korvata laturiyksikköä tavallisella verkkopistokkeella.

- Käytä Black & Deckerin laturia vain laitteen/työkalun mukana toimitetun akun lataamiseen. Muut akut voivat räjähtää ja aiheuttaa henkilövahinkoja tai aineellisia vahinkoja.
- Älä koskaan yritä ladata akkuja, joita ei ole tarkoitettu ladattaviksi.

- Jos virtajohto vahingoittuu, sen vaihtaminen tulee turvallisuusyistä jättää valmistajan tai valtuutetun Black & Decker -huollon tehtäväksi.
- Älä altista laturia vedelle.
- Älä avaa laturia.
- Älä työnnä mitään laturin sisään.
- Lataa laite/työkalu/akku paikassa, jossa on kunnollinen ilmanvaihto.

Sähköturvallisuus



Laturi on kaksoiseristetty, joten erillistä maadoitusta ei tarvita. Tarkista aina, että verkkojännite vastaa arvokilvessä ilmoitettua jännitettä.

- Jos virtajohto vahingoittuu, sen vaihtaminen tulee turvallisuusyistä jättää valmistajan tai valtuutetun Black & Decker -huollon tehtäväksi.
- Älä yritä korvata laturiyksikköä tavallisella verkkopistokkeella.

Laitteissa olevat merkinnät

Työkalussa on seuraavat kuvamerkinnot:



Lue ohjeet huolellisesti ennen täyttölaitteen käyttöä.



Älä käytä laitetta sateessa tai erittäin kosteissa olosuhteissa.



Kytke laite pois päältä ja irrota se virtalähteestä ennen huoltoa ja puhdistusta.



Älä jätä täyttölaitetta ilman valvontaa.

Yleiskuvaus

1. Virtakytin
2. LCD
3. Kahva
4. Suurtilavuuspumpun tyhjennysliitin
5. Ilmaletku, jossa yleisventtiilin sovitin
6. Yleisventtiilin sovitin
7. Suurtilavuusletku
8. 12 V ajoneuvoliitin
9. Laturin pistoke
10. Suurtilavuuspumpun täyttöliitin
11. Pistorasia
12. LED-valo
13. Laturi
14. Tarvikkeiden säilytys

Kuva A

15. Akun latautumisen merkkivalo

Ennen käyttöä (kuva A)

Akkua tulee ladata 4–5 tuntia laitteen mukana tulevalla vaihtovirtalaturilla (13).

- ◆ Työnnä laturin pistoke (9) laitteen etupuolen latausliitäntään (11).
- ◆ Työnnä vaihtovirtalaturin (13) pistoke virtalähteeseen.
- ◆ Varaustilan merkkivalo (15) laturissa (13) osoittaa akun varaustason. Punainen valo: akku latautuu. Vihreä valo: Akku ladattu.
- ◆ Kun akku on täynnä, irrota laturi virtalähteestä ja laturin pistoke laitteesta.

Huomautus: Säilytä laturia turvallisessa paikassa odottamassa seuraavaa käyttöä.

Käyttö

Letkun ja johdon säilytyslokerot (kuvat B–D)

- ◆ Kiedo 12 V:n virtajohto (17) yksikön alaosaan ympäri ja laita 12 V:n sovitin (8) sen säilytyslokeroon (16) kuten kuvassa B ja käännä 90° lukitaksesi sen paikoilleen.
- ◆ Ilmaletku (5) sijaitsee säilytysurassa (26) laitteen yläosaan ympärillä (kuva C), varmista että letku on napsautettu kiinnikkeisiin, ja että vipu (19) on yläasennossa (kuva D).
- ◆ Suurtilavuusletkua (7) säilytetään säilytysurassa laitteen keskiosan ympärillä ja napsahtaa paikoilleen kummastakin päästä. Lisävarusteita säilytetään laitteen etuosassa (14).

Lisävarusteiden kiinnitys (kuvat D, G–I)

Täyttölaitteen mukana toimitetaan kartiomaiset vakiosuuttimet ja täyttöneula, joita säilytetään laitteen etuosassa (14).

- ◆ Varmista, että vipu (19) on yläasennossa, kun haluat käyttää yleisventtiilin sovittinta (6).
- ◆ Aseta yleisventtiilin sovitin (6) täyttöneulan tai kartiomaisen suuttimen karan päälle (kuva D).
- ◆ Paina yleisventtiilin sovittimessa (6) oleva vipu (19) alas niin, että se lukkiutuu paikalleen.
- ◆ Aseta täyttöneula tai kartiomainen suutin täytettävän esineen venttiiliin.

Huomautus: Varmista aina, että vipu on yläasennossa, kun laitetta ei käytetä. Käytä täyttölaitteessa vain yleisventtiilin sovittinta tai mukana tulleita suuttimia.

Huomautus: Varmista, että yleisventtiilin sovitin on tukevasti lukittu paikalleen, ennen kuin käynnistät täyttölaitteen.

Täyttölaitteessa on suurtilavuussovitin (24). Sitä säilytetään laitteen etuosassa (kuva G).

- ◆ Käyttääksesi suurtilavuussovittinta (24), irrota se suurtilavuustäyttöliittimestä (10).
- ◆ Ota suurtilavuusletku (7) pois säilytyspaikastaan.
- ◆ Irrota kartiosuutin (18) suurtilavuusletkun (7) päästä.
- ◆ Aseta suurtilavuussovitin (24) suurtilavuusletkun päähän (kuva H).

Monissa ilmalla täytettävissä esineissä, etenkin ilmapatjoissa, on sisäinen läppä, joka estää ilman poistumisen täytön aikana. Jos suutin ei siirrä läppää, täytettävä esine ei täyty ilmalla. Paina suutin tukevasti kiinni venttiiliin, jotta läppä siirtyy pois tieltä.

Varoitus! Liian suuri ilmanpaine voi aiheuttaa vaarallisen räjähdyksen tai tapaturman vaaran. Tarkista täytettävän esineen valmistajan antama enimmäispainesuositus.

Huomautus: Jos täytettävän esineen enimmäispaineen arvo on yli 100 psi / 6,89 bar / 689 kpa, huomaa, että laitteen enimmäiskäyttöaika on 10 minuuttia. Anna laitteeseen olla itsekseen 20 minuutin ajan, ennen kuin käytät sitä uudelleen.

Täyttölaitteen käyttö (kuva E)

Varoitus! Älä käytä täyttölaitetta auton moottorin käydessä.

Huomautus: Varmista, että 12 voltin lisälaiteliitännästä saadaan virtaa. Joissakin ajoneuvoissa lisälaiteliitäntään tulee virtaa vain, kun virta on kytketty virta-avaimella.

Saadaksesi näyttöön virtaa 12 V:n sovittimesta:

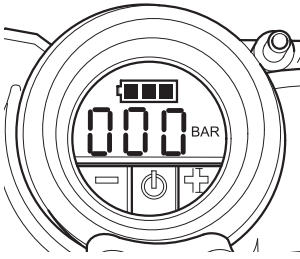
- ◆ Vedä 12 V DC:n johto aina täyteen pituuteensa ennen kutakin käyttökertaa.
- ◆ Kytke 12 voltin sovitin (6) ajoneuvon 12 voltin lisälaiteliitäntään.
- ◆ Kytke päävirtakytkin (1) täyttöasentoon (c) saadaksesi LCD-näyttöön virtaa.

Käyttääksesi LCD-näyttöä akulla (langaton käyttö):

- ◆ Kytke päävirtakytkin (1) täyttöasentoon (c) saadaksesi LCD-näyttöön virtaa.

Varoitus! Älä jätä käynnissä olevaa täyttölaitetta ilman valvontaa. Rengas tai muu esine saattaa räjähtää.

Tarvittavan paineen asettaminen (kuva E)



Huomautus: LCD-näyttö näyttää täyttöpaineita vain, kun täyttölaitetta käytetään. Akun varausaso näytetään aina.



Tarvitsee latausta.



Akku latautuu.



Akku täynnä.

Huomautus: Automaattinen pysäytystoiminto on asetettava, ennen kuin laite toimii (vain täyttöllassa).

- Valitse yksikkö (kPa, psi tai bar) painamalla painikkeita – ja + (21, 23) samanaikaisesti, kunnes haluamasi yksikkö on näkyvissä.
- Pidä painiketta – tai + (21, 23) painettuna 3 sekuntia, kunnes näyttö vilkkuu.
- Kun näyttö vilkkuu, paina painiketta – tai + (21, 23), kunnes tarvittava paine on näkyvissä.
- Näyttö vilkkuu 3 sekunnin kuluttua, ja siihen palaa lukema "0.0 PSI / 0.00 BAR / 0 KPA". Tämä on normaalia.
- Kytke yleisventtiilin sovitin (6) ja tarvittavat lisävarusteet täytettävään esineeseen ja varmista, että venttiilin sovitimen vipu (19) on ala-asennossa niin, että sovitin on lukittu paikalleen.

Huomautus: Varmista, että yleisventtiilin sovitin on sovitettu oikein täytettävään esineeseen.

- Käynnistä täyttölaitte painamalla virtapainiketta (22) LCD-näytössä.
- Kun täytettävän esineen paine saavuttaa esiasetetun arvon, laite sammuu automaattisesti.

Huomautus: Paine lukema saattaa pudota parin sekunnin jälkeen, mikä on normaalia.

- Pysäytä täyttölaitte milloin vain painamalla virtapainiketta (22) LCD-näytössä.
- Irrota venttiilin sovitin tai lisävaruste täytetystä esineestä ja 12 voltin sovitin (6) ajoneuvon 12 voltin lisälaiteliitännästä.
- Käännä päävirtakytkin (1) sammutusasentoon (b).

Huomautus: Jos päävirtalähde sammutetaan, kaikki asetukset katoavat ja ne on annettava uudelleen noudattamalla ohjeita, jotka ovat kohdassa Tarvittavan paineen asettaminen. Tämä turvallisuusominaisuus vähentää esineiden YLITÄYTTYMISEN riskiä.

Täyttölaitteen käyttö painemittarina

- Kytke päävirtakytkin (1) täyttöasentoon (c) (kuva E).
- Liitä yleisventtiilin sovitin (6) tarkistettavaan esineeseen.
- LCD-näyttö näyttää esineen paineen.
- Tarkistuksen jälkeen, sammuta päävirtakytkin (1) ja laita ilmaletku takaisin säilytyspaikkaansa.

Suurtilavuuspumpun käyttö

Huomautus: Älä käytä pumpppua auton moottorin käydessä.

Huomautus: Varmista, että 12 voltin lisälaiteliitännästä saadaan virtaa. Joissakin ajoneuvoissa lisälaiteliitännään tulee virtaa vain, kun virta on kytketty virta-avaimella.

Käyttäaksesi suurtilavuuspumpppua esineiden (esim. ilmapaattojen, kumiveneiden, uima-altaan reunojen) täyttämiseen:

Huomautus: Pumpussa EI OLE automaattista sammutustoimintoa.

- Kytke päävirtakytkin (1) pumppuasentoon (a, kuva E).
- Ota suurtilavuusletku (7) säilytysurasta laitteen keskiosan ympärillä ja liitä se suurtilavuuspumpun täyttöliittimeen (10) (kuva F).
- Liitä letku (mahdollisilla lisävarusteilla) täytettävään esineeseen.
- Käynnistä pumpppu painamalla virtakytkintä (22) LCD-näytössä.
- Kun esine on täytetty haluamallasi tavalla tai halutessasi pysäyttää pumpun milloin vain, paina virtakytkintä (22) LCD-näytössä.
- Irrota letku esineestä ja laita se säilytyspaikkaansa.
- Käännä päävirtakytkin (1) sammutusasentoon (b) (kuva E).

Käyttäaksesi suurtilavuuspumpppua esineiden (esim. ilmapaattojen, kumiveneiden, uima-altaan reunojen) tyhjentämiseen:

Huomautus: Pumpussa EI OLE automaattista sammutustoimintoa.

- Kytke päävirtakytkin (1) pumppuasentoon (a) (kuva E).
- Ota suurtilavuusletku (7) säilytysurasta laitteen keskiosan ympärillä ja liitä se suurtilavuuspumpun tyhjennysliittimeen (4) (kuva F).
- Liitä letku (mahdollisilla lisävarusteilla) tyhjennettävään esineeseen.
- Käynnistä pumpppu painamalla virtakytkintä (22) LCD-näytössä.

- ◆ Kun esine on tyhjenetty haluamallasi tavalla tai halutessasi pysäyttää pumpun milloin vain, paina virtakytkintä (22) LCD-näytössä.
- ◆ Irrota suurtilavuusletku (7) esineestä ja laita se säilytysuraansa laitteen keskiosan ympärillä.
- ◆ Käännä päävirtakytkin (1) sammutusasentoon (b) (kuva E).

LED-valon käyttö

Syöttääksesi LED-valon (12):

- ◆ Kytke päävirtakytkin (1) täyttöasentoon (c) (kuva E) tai pumppuasentoon (a) (kuva E).
- ◆ Paina joko – tai + -nappia (21, 23) LCD-näytössä (2) syöttääksesi LED-valon (12).

Sammuttaaksesi LED-valon (12):

- ◆ Paina joko – tai + -nappia (21, 23) uudelleen).
- ◆ Käännä päävirtakytkin (1) sammutusasentoon.

Lepotila pidentää akun kestoikää

Laitteessa on lepotilatoiminto, joka auttaa pidentämään akun kestoikää.

Kun laite on päällä ja käyttämättömänä yli kahden minuutin ajan, se kytkeytyy lepotilaan.

- ◆ Käynnistäaksesi laitteen uudelleen kytke virtakytkin (1) päälle ja pois tai paina mitä tahansa näppäintä LCD-näytössä (2).

Huomautus: Lepotilan jälkeen kaikki asetukset katoavat ja ne on annettava uudelleen noudattamalla ohjeita, jotka ovat kohdassa Tarvittavan paineen asettaminen.

Huolto

Black & Deckerin verkkojohdolla varustettu tai verkkojohdoton laite/työkalu on suunniteltu toimimaan mahdollisimman kauan mahdollisimman vähällä huollolla. Oikealla huollolla ja säännöllisellä puhdistuksella laite/työkalu säilyttää suorituskykynsä.

Varoitus! Ennen verkkojohdolla varustetun tai verkkojohdoton laitteen/työkalun huoltoa toimi seuraavasti.

- ◆ Sammuta laite/työkalu ja irrota se verkkovirrasta.
- ◆ Jos laitteessa/työkalussa on erillinen akku, sammuta laite/työkalu ja irrota sen akku.
- ◆ Irrota laturi pistorasiasta ennen laturin puhdistamista. Laturi ei tarvitse säännöllisen puhdistamisen lisäksi mitään muuta huoltoa.
- ◆ Puhdista laitteen/työkalun/laturin ilma-aukot säännöllisesti pehmeällä harjalla tai kuivalla kangasliinalla.

- ◆ Puhdista kotelo säännöllisesti kostealla kangasliinalla. Älä käytä puhdistamiseen hankaavia tai liuotinpohjaisia puhdistusaineita.
- ◆ Avaa istukka säännöllisesti ja naputtele pöly pois sen sisältä (soveltuvin osin).

Vianmääritys

Ongelma	Mahdollinen syy	Mahdollinen ratkaisu
Täyttölaite ei toimi.	Akkuvika. 12 voltin sovittinta ei ole kytketty. Lisälaiteliitännästä ei saada virtaa. Päävirtakytkin ei ole oikeassa asennossa. Esiasetettua arvoa ei ole määritetty.	Lataa akku. Kytke 12 voltin sovitin. Käännä virta-avain virta-asentoon Käännä päävirtakytkin haluttuun asentoon.
	12 voltin sovittimen sulake on palanut. Johto tai kytkin on vahingoittunut.	Määritä esiasetusarvo. Vaihda sulake saman kokoiseen ja tyyppiseen (8 A / 250 V) sulakkeeseen. Anna Black & Decker -huollon vaihtaa johto ja kytkin.
Täyttölaite ei täytä.	Väärä toimintatila valittu.	Valitse oikea toimintatila.
LCD-näyttö ei valaistu.	Laitte lepotilassa.	Paina mitä tahansa painiketta tai päävirtakytkintä.

Ajoneuvon tasavirtapistokkeen sulakkeen vaihto

- ◆ Avaa nuppi kiertämällä sitä vastapäivään.
- ◆ Poista kansi ja keskitappi.
- ◆ Irrota sulake.
- ◆ Vaihda tilalle saman kokoinen ja tyyppinen (8 A / 250V) sulake.
- ◆ Kiinnitä kansi ja keskitappi takaisin paikoilleen.
- ◆ Kiristä kansi paikalleen kiertämällä myötäpäivään.

Ympäristönsuojelu



Erillinen keräys. Tätä tuotetta ei saa hävittää normaalin kotitalousjätteen mukana.

Kun Black & Decker -laitteesi aikanaan täytyy vaihtaa tai ei kelpaa enää käyttöön, älä hävitä laitetta kotitalousjätteen mukana. Toimita laite kierrätettäväksi.



Käytettyjen tuotteiden ja pakkausmateriaalien erilliskeruun avulla materiaalit voidaan kierrättää ja käyttää uudelleen. Kierrätysmateriaalien käyttö auttaa vähentämään ympäristön saastumista ja uusien raaka-aineiden tarvetta.

Paikallisissa säädöksissä voidaan määrätä, että kodin sähkötuotteiden keruu tapahtuu kaupunkien jätteidenkäsittelyasemilla tai laitteita myyissä liikkeissä uuden tuotteen oston yhteydessä.

Kun laitteesi on käytetty loppuun, älä hävitä sitä tavallisten roskien mukana, vaan vie se paikkakuntasi kierrätyskeskukseen tai jätä se valtuutettuun Black & Deckerin huoltoliikkeeseen.

Tiedot valtuutetuista huoltoliikkeistä saa ottamalla yhteyttä Black & Decker Oy:hyn. Valtuutettujen Black & Decker -huoltoliikkeiden yhteystiedot sekä lisätietoja palveluistamme ja takuuehdoista on Internetissä osoitteessa: www.2helpU.com.

Tekniset tiedot

ASI500 H1	
Syöttöjännite	V DC 12
Syöttövirta	A 8
SLA (suljettu lyijyakku)	Ah 3,2
Paine (maksimi)	Psi / bar / kpa 160 / 11,03 / 1103
Paino	kg 3,03

Laturi	
Syöttö	V AC 230
Lähtö	V DC 12
Latausvirta	A 1

Takuu

Black & Decker takaa, ettei tuotteessa ollut materiaali- ja/tai valmistusvikaa silloin, kun se toimitettiin ostajalle. Takuu on lisäys kuluttajan laillisiin oikeuksiin eikä vaikuta niihin. Takuu on voimassa Euroopan unionin jäsenmaissa ja Euroopan vapaakauppa-alueella (EFTA).

Mikäli Black & Decker -tuotteessa ilmenee vika materiaali- ja/tai valmistusvirheen tai teknisten tietojen epätarkkuuden vuoksi 24 kk:n kuluessa ostopäivästä, Black & Decker takaa vaihtavansa vialliset osat, korjata tuotteet, jotka ovat altistuneet normaalille kulumiselle, tai vaihtaa tällaiset tuotteet varmistaakseen mahdollisimman vähäisen haitan syntymisen asiakkaalle.

- ◆ Tuotetta on käytetty kaupalliseen, ammattimaiseen tai vuokraustarkoitukseen.
- ◆ Tuote on altistunut väärinkäytölle tai sen huolto on laiminlyöty.
- ◆ Tuote on vahingoittunut vieraiden esineiden, aineiden tai onnettomuuksien vuoksi.
- ◆ Jos korjauksia on yrittänyt jokin muu kuin Black & Deckerin valtuuttama edustaja tai Black & Deckerin henkilökunta.

Edellytyksenä takuun saamiselle on, että ostaja jättää koneen ja ostokuitin jälleenmyyjälle tai valtuutetulle huoltoliikkeelle. Saat valtuutettujen huoltoliikkeiden yhteystiedot ottamalla yhteyden Black & Decker Oy:hyn tässä käyttöoppaassa ilmoitetussa osoitteessa. Valtuutettujen Black & Decker -huoltoliikkeiden yhteystiedot sekä lisätietoja palveluistamme ja takuuehdoista on Internetissä osoitteessa: www.2helpU.com

Voit rekisteröidä uuden Black & Decker -tuotteesi ja tarkastella tietoja uusista tuotteista ja erikoistarjouksista verkkosivuiltamme www.blackanddecker.fi. Saat lisätietoja Black & Deckerin tavaramerkistä ja tuotevalikoimastamme osoitteesta www.blackanddecker.fi.

Ενδεξιμένη χρήση

Ο σταθμός αεροσυμπίεσης Black & Decker έχει σχεδιαστεί για ασύρματη χρήση ή, στα περισσότερα οχήματα που διαθέτουν πρίζα 12 Vdc, για να φουσκώνετε ελαστικά αυτοκινήτων και ποδηλάτων, μπάλες, φουσκωτά σκάφη, στρώματα θαλάσσης κλπ. Αυτό το προϊόν προορίζεται μόνο για οικιακή, ερασιτεχνική χρήση.

Οδηγίες ασφαλείας

Προειδοποίηση! Κατά τη χρήση συσκευών που τροφοδοτούνται με μπαταρία, θα πρέπει να λαμβάνονται οι βασικές προφυλάξεις ασφαλείας, συμπεριλαμβανομένων των παρακάτω, για τον περιορισμό του κινδύνου πυρκαγιάς, ηλεκτροπληξίας, τραυματισμού προσώπων και υλικών ζημιών.

- ♦ Πριν χρησιμοποιήσετε τη συσκευή διαβάστε προσεκτικά ολόκληρο το εγχειρίδιο.
- ♦ Η ενδεξιμένη χρήση περιγράφεται σε αυτό το εγχειρίδιο.
- ♦ Τόσο η χρήση εξαρτημάτων ή προσαρτημάτων όσο και η πραγματοποίηση εργασιών με τη συσκευή που δε συνιστώνται σε αυτό το εγχειρίδιο οδηγούν εγκυμονεί κίνδυνο τραυματισμού.
- ♦ Φυλάξτε αυτό το εγχειρίδιο για μελλοντική αναφορά.

Χρήση της συσκευής

- ♦ Πάντοτε προσέχετε κατά τη χρήση της συσκευής.
- ♦ Μη βυθίζετε τη συσκευή μέσα σε νερό.
- ♦ Μην ανοίγετε το περιβλήμα του σώματος της συσκευής. Τα εξαρτήματα στο εσωτερικό δεν επιδέχονται επισκευής από το χρήστη.
- ♦ Μη χρησιμοποιείτε τη συσκευή σε περιβάλλον όπου υπάρχει κίνδυνος έκρηξης, π.χ. παρουσία εύφλεκτων υγρών, αερίων ή σκόνης.
- ♦ Για να βγάλετε το φιν από την πρίζα μην τραβάτε ποτέ από το καλώδιο. Έτσι θα αποφύγετε τον κίνδυνο φθοράς του φιν και του καλωδίου.

Μετά τη χρήση

- ♦ Όταν δε χρησιμοποιείται, η συσκευή πρέπει να φυλάσσεται σε στεγνό, με καλό αερισμό χώρο, μακριά από παιδιά.
- ♦ Τα παιδιά δεν πρέπει να έχουν πρόσβαση σε αποθηκευμένα εργαλεία.
- ♦ Όταν το εργαλείο φυλάσσεται ή μεταφέρεται με ένα όχημα, πρέπει να τοποθετείται στο χώρο αποσκευών ή να στερεώνεται ώστε να μη μετακινείται σε περίπτωση απότομων μεταβολών της ταχύτητας ή της κατεύθυνσης του οχήματος.
- ♦ Η συσκευή πρέπει να προφυλάσσεται από την ηλιακή ακτινοβολία, τη ζέση και την υγρασία.

Έλεγχος και επισκευή

- ♦ Πριν από τη χρήση, ελέγξτε τη συσκευή σας για τυχόν χαλασμένα ή ελαττωματικά εξαρτήματα. Ελέγξτε αν υπάρχουν σπασμένα εξαρτήματα, ζημιά στους διακόπτες και οποιεσδήποτε άλλες συνθήκες που θα μπορούσαν να επηρεάσουν τη λειτουργία της.
- ♦ Μη χρησιμοποιείτε τη συσκευή, αν κάποιο εξάρτημα της έχει καταστραφεί ή παρουσιάζει ελάττωμα.
- ♦ Φροντίστε να γίνει η επισκευή ή η αντικατάσταση των τυχόν ελαττωματικών εξαρτημάτων από εξουσιοδοτημένο κέντρο επισκευών.
- ♦ Μην επιχειρήσετε ποτέ να αφαιρέσετε ή να αντικαταστήσετε οποιοδήποτε εξάρτημα, εκτός από αυτά που καθορίζονται σε αυτό το εγχειρίδιο.

Συμπληρωματικές οδηγίες ασφαλείας για αεροσυμπιεστές

- ♦ Αποκλειστικά για χρήση στο σπίτι και το αυτοκίνητο. Χρησιμοποιήστε τον για να φουσκώσετε ελαστικά αυτοκινήτων και ποδηλάτων, μπάλες, φουσκωτά σκάφη, στρώματα θαλάσσης, στρώματα αέρος και για άλλες χρήσεις στο σπίτι και γύρω από αυτό.
- ♦ Δεν είναι ασφαλές να εισπνέετε τον πιεσμένο αέρα του αεροσυμπιεστή. Ποτέ μην εισπνέετε αέρα από τον αεροσυμπιεστή ή από αναπνευστική συσκευή συνδεδεμένη με τον αεροσυμπιεστή.
- ♦ Χρησιμοποιήστε τον για να φουσκώσετε αντικείμενα σύμφωνα με τις οδηγίες των κατασκευαστών τους. Μην υπερβαίνετε την ονομαστική πίεση καθώς μπορεί να προκαλέσει έκρηξη του αντικείμενου με αποτέλεσμα να τραυματιστείτε.
- ♦ Μην αφήνετε τον αεροσυμπιεστή να λειτουργεί χωρίς επίβλεψη. Μπορεί να προκαλέσει "σκάσιμο" των ελαστικών ή άλλων αντικειμένων.
- ♦ Καθώς η δόνηση που παράγεται από την αντλία μπορεί να την κάνει να μετακινηθεί, μην τοποθετείτε την αντλία σε ράφια ή άλλες επιφάνειες που βρίσκονται ψηλά. Χρησιμοποιήστε τον μόνο σε επίπεδο έδαφος ή σε έναν πάγκο.
- ♦ Μην επιχειρήσετε τροποποίηση ή επισκευή. Ποτέ μην τρυπάτε, συγκολλάτε ή τροποποιείτε τον αεροσυμπιεστή ή τα εξαρτήματά του.
- ♦ Μη λειτουργείτε τον αεροσυμπιεστή κατά τη διάρκεια λειτουργίας του κινητήρα.
- ♦ Χρησιμοποιήστε την αντλία με τα παρεχόμενα αξεσουάρ ή με αυτά που φέρουν ονομαστική πίεση 160 PSI / 11.03 BAR / 1103 KPA ή υψηλότερη. Η χρήση αξεσουάρ που δεν ενδείκνυνται για αυτή τη συσκευή μπορεί να ενέχει κινδύνους.
- ♦ Μην παίζετε με τη συσκευή. Ο αέρας υψηλής πίεσης είναι επικίνδυνος. Μην κατευθύνετε τη ροή του αέρα προς εσάς ή άλλους.

- ♦ Ο αεροσυμπιεστής μπορεί να θερμανθεί κατά τη χρήση. Αφήστε την αντλία να κρυώσει για 30 λεπτά, πριν την αποθηκεύσετε.
- ♦ Μη μεταφέρετε ποτέ τον αεροσυμπιεστή τραβώντας τον από το σωλήνα.
- ♦ Μην κατευθύνετε το στόμιο ή τον ελαστικό σωλήνα σε ζώα ή άλλα άτομα.
- ♦ Αποθηκεύετε τον αεροσυμπιεστή μακριά από μικρά παιδιά.
- ♦ Ο μετρητής έχει μόνο ενδεικτικό ρόλο. Η πίεση των ελαστικών πρέπει να ελέγχεται τακτικά με πιστοποιημένο μετρητή.
- ♦ Πριν από τη χρήση, ελέγξτε προσεκτικά το καλώδιο τροφοδοσίας για σημάδια ζημιάς, παλαιώσης ή φθοράς.
- ♦ Μη χρησιμοποιείτε τη συσκευή εάν το καλώδιο τροφοδοσίας ή το φως έχει πάθει ζημιά ή παρουσιάζει ελάττωμα (όπου εφαρμόζεται).

Ασφάλεια τρίτων

- ♦ Αυτή η συσκευή δεν προορίζεται για χρήση από άτομα (στα οποία περιλαμβάνονται και τα παιδιά) με μειωμένες φυσικές, αντιληπτικές ή διανοητικές ικανότητες, ή άτομα χωρίς εμπειρία και γνώσεις, παρά μόνο εφόσον επιτηρούνται ή τους έχουν δοθεί οδηγίες σχετικά με τη χρήση της συσκευής από άτομο υπεύθυνο για την ασφάλειά τους.
- ♦ Τα παιδιά πρέπει να επιτηρούνται για να διασφαλίζεται ότι δεν παίζουν με τη συσκευή.

Συμπληρωματικές οδηγίες ασφαλείας για τις μπαταρίες και τους φορτιστές

Μπαταρίες

- ♦ Μην επιχειρήσετε ποτέ να ανοίξετε τις μπαταρίες για οποιοδήποτε λόγο.
- ♦ Μην εκθέτετε την μπαταρία σε νερό.
- ♦ Μην εκθέτετε την μπαταρία σε θερμότητα.
- ♦ Μη φιλάσσετε τις μπαταρίες σε μέρη όπου η θερμοκρασία μπορεί να υπερβεί τους 40°C.
- ♦ Η φόρτιση πρέπει να γίνεται μόνο σε θερμοκρασίες περιβάλλοντος μεταξύ 10°C και 40°C.
- ♦ Η φόρτιση πρέπει να γίνεται μόνο με το φορτιστή που παρέχεται μαζί με τη συσκευή/εργαλείο.
- ♦ Όταν απορρίπτετε τις μπαταρίες, ακολουθήστε τις οδηγίες που δίνονται στην ενότητα "Προστασία του περιβάλλοντος".
- ♦ Μην καταστρέψετε/παραμορφώνετε την μπαταρία είτε τρυπώντας ή χτυπώντας την, διότι μπορεί να προκληθεί κίνδυνος τραυματισμού ή πυρκαγιάς.
- ♦ Μη φορτίζετε τις κατεστραμμένες μπαταρίες.

- ♦ Κάτω από ακραίες συνθήκες, μπορεί να επέλθει διαρροή υγρών μπαταρίας. Αν παρατηρήσετε υγρό πάνω στις μπαταρίες, σκουπίστε το προσεκτικά με ένα πανί. Αποφύγετε την επαφή με το δέρμα.
- ♦ Στην περίπτωση επαφής με το δέρμα ή τα μάτια, ακολουθήστε τις παρακάτω οδηγίες.

Προειδοποίηση! Το υγρό της μπαταρίας μπορεί να προκαλέσει τραυματισμό ή υλικές ζημιές. Στην περίπτωση επαφής με το δέρμα, ξεπλύνετε αμέσως με άφθονο νερό. Αν παρουσιαστεί κοκκίνισμα του δέρματος, πόνος ή ερεθισμός, ζητήστε ιατρική βοήθεια. Στην περίπτωση επαφής με τα μάτια, ξεπλύνετε αμέσως με άφθονο καθαρό νερό και ζητήστε ιατρική βοήθεια.

Φορτιστές

Ο φορτιστής σας είναι σχεδιασμένος για μια συγκεκριμένη ηλεκτρική τάση. Ελέγχετε πάντα αν η τάση τροφοδοσίας αντιστοιχεί σε αυτήν που αναγράφεται στην πινακίδα χαρακτηριστικών.

Προειδοποίηση! Ποτέ μην επιχειρείτε να αντικαταστήσετε τη μονάδα φορτιστή με έναν κανονικό ρευματολήπτη.

- ♦ Ο φορτιστής Black & Decker πρέπει να χρησιμοποιείται αποκλειστικά και μόνο για τη φόρτιση της μπαταρίας της συσκευής/του εργαλείου που συνόδευε. Αν χρησιμοποιηθεί για άλλες μπαταρίες, αυτές μπορεί να εκραγούν, προκαλώντας τραυματισμό και ζημιές.
- ♦ Μην επιχειρείτε ποτέ να φορτίσετε μη επαναφορτιζόμενες μπαταρίες.
- ♦ Αν το καλώδιο ρεύματος έχει υποστεί φθορά, η αντικατάστασή του πρέπει να γίνει από τον κατασκευαστή ή από ένα εξουσιοδοτημένο κέντρο της Black & Decker, ώστε να μην αποτελέσει κίνδυνο.
- ♦ Μην εκθέτετε το φορτιστή σε νερό.
- ♦ Μην ανοίγετε το φορτιστή.
- ♦ Μην επεμβαίνετε στο φορτιστή.
- ♦ Κατά τη φόρτιση, η συσκευή/εργαλείο/μπαταρία πρέπει να βρίσκεται σε καλά αεριζόμενο χώρο.

Ασφαλής χρήση του ηλεκτρικού ρεύματος



Ο φορτιστής σας φέρει διπλή μόνωση, επομένως δεν απαιτείται σύρμα γείωσης. Ελέγχετε πάντα αν η τάση τροφοδοσίας αντιστοιχεί σε αυτήν που αναγράφεται στην πινακίδα χαρακτηριστικών.

- ♦ Αν το καλώδιο ρεύματος έχει υποστεί φθορά, η αντικατάστασή του πρέπει να γίνει από τον κατασκευαστή ή από ένα εξουσιοδοτημένο κέντρο της Black & Decker, ώστε να μην αποτελέσει κίνδυνο.
- ♦ Ποτέ μην επιχειρείτε να αντικαταστήσετε τη μονάδα φορτιστή με έναν κανονικό ρευματολήπτη.

Ετικέτες στα εργαλεία

Τα ακόλουθα σύμβολα εμφανίζονται στη συσκευή:



Διαβάστε το εγχειρίδιο οδηγιών πριν από τη χρήση του αεροσυμπιεστή.



Μην εκθέτετε τη συσκευή στη βροχή ή σε υψηλή υγρασία.



Πριν πραγματοποιήσετε οποιαδήποτε συντήρηση ή καθαρισμό στη συσκευή, αποσυνδέστε το καλώδιο τροφοδοσίας.



Μην αφήνετε τον αεροσυμπιεστή χωρίς επίβλεψη.

Χαρακτηριστικά

1. Διακόπτης ενεργοποίησης
2. LCD
3. Λαβή
4. Σύνδεση ξεφουσκώματος αντλίας υψηλής πίεσης
5. Σωλήνας αέρα με προσαρμογέα βαλβίδας γενικής χρήσης
6. Προσαρμογέας βαλβίδας γενικής χρήσης
7. Σωλήνας υψηλής πίεσης
8. Υποδοχέας οχήματος 12 Vdc
9. Φις φορτιστή
10. Σύνδεση φουσκώματος αντλίας υψηλής πίεσης
11. Υποδοχή φις φορτιστή
12. Λυχνία LED
13. Φορτιστής
14. Θήκη αποθήκευσης εξαρτημάτων

Εικ. Α

15. LED φόρτισης

Πριν την χρήση (Εικ. Α)

Η εσωτερική μπαταρία πρέπει να φορτιστεί για 4 με 5 ώρες χρησιμοποιώντας τον παρεχόμενο φορτιστή AC (13).

- Τοποθετήστε το φις του φορτιστή (9) στην υποδοχή φόρτισης (11) στην πρόσοψη της συσκευής.
- Συνδέστε το φορτιστή AC (13) στην πρίζα παροχής ρεύματος.
- Η ένδειξη LED (15) πάνω στο φορτιστή (13) υποδηλώνει τη στάθμη φόρτισης της μπαταρίας. Κόκκινο, μπαταρία σε φόρτιση, Πράσινο, η μπαταρία είναι φορτισμένη.
- Όταν ο φορτιστής φορτιστεί πλήρως αποσυνδέστε το φορτιστή από την πρίζα (8) και αφαιρέστε το φις φορτιστή από τη συσκευή.

Σημείωση: Φυλάξτε το φορτιστή σας σε ένα ασφαλές μέρος μέχρι να τον ξαναχρησιμοποιήσετε.

Χρήση

Αποθήκευση ελαστικού σωλήνα και καλωδίων (εικ. Β - D)

- Τυλίξτε το καλώδιο Vdc (17) γύρω από τη βάση της συσκευής και τοποθετήστε τον προσαρμογέα 12 Vdc (8) στη θέση αποθήκευσης (16) όπως υποδεικνύεται στην εικ. Β και στη συνέχεια περιστρέψτε τον κατά 90° για να ασφαλίσει στη θέση του.
- Ο σωλήνας αέρα (5) είναι τοποθετημένος μέσα σε ένα κανάλι αποθήκευσης (26) γύρω από το επάνω μέρος της συσκευής (εικ. C), βεβαιωθείτε ότι ο σωλήνας ασφάλισε μέσα στα κλιπ συγκράτησης και ότι ο μοχλός (19) είναι στην επάνω θέση (εικ. D).
- Ο σωλήνας υψηλής πίεσης (7) αποθηκεύεται στο κανάλι αποθήκευσης γύρω από το κέντρο της συσκευής και ασφαλίσει στη θέση του και στα δύο άκρα. Τα αξεσουάρ (14) αποθηκεύονται στο μπροστινό μέρος του εργαλείου.

Τοποθέτηση των εξαρτημάτων (εικ. D, G - I)

Ο αεροσυμπιεστής συνοδεύεται από τα τυπικά κωνικά στόμια και από ένα βελονωτό στόμιο αέρα, τα οποία είναι αποθηκευμένα στο μπροστινό μέρος της συσκευής (14).

- Για χρήση του προσαρμογέα βαλβίδας γενικής χρήσης (6), βεβαιωθείτε ότι ο μοχλός (19) είναι στην επάνω θέση.
- Τοποθετήστε τον προσαρμογέα βαλβίδας γενικής χρήσης (6) πάνω από το στέλεχος του βελονωτού ή του κωνικού στομίου αέρα (εικ. D).
- Πιέστε προς τα κάτω το μοχλό (19) του προσαρμογέα βαλβίδας γενικής χρήσης (6) για να ασφαλίσει στη θέση του.
- Τοποθετήστε το βελονωτό ή το κωνικό στόμιο αέρα μέσα στο προς φούσκωμα αντικείμενο.

Σημείωση: Να βεβαιώνετε πάντα ότι ο μοχλός είναι στην επάνω θέση όταν δεν χρησιμοποιείται. Χρησιμοποιείτε τον αεροσυμπιεστή μόνο με τον προσαρμογέα βαλβίδας γενικής χρήσης ή με τα στόμια που παρέχονται.

Σημείωση: Πριν ενεργοποιήσετε τον αεροσυμπιεστή, βεβαιωθείτε ότι ο προσαρμογέας βαλβίδας γενικής χρήσης είναι ασφαλισμένος στη θέση του.

Ο αεροσυμπιεστής σας παρέχεται με ένα προσαρμογέα υψηλής πίεσης (24). Αυτός (14) βρίσκεται αποθηκευμένος στο μπροστινό μέρος του εργαλείου (Εικ. G).

- Για να χρησιμοποιήσετε τον προσαρμογέα υψηλής πίεσης (24), αφαιρέστε τον από τη σύνδεση φουσκώματος υψηλής πίεσης (10).
- Αφαιρέστε τον σωλήνα υψηλής πίεσης (7) από τη θέση αποθήκευσης.
- Αφαιρέστε το κωνικό στόμιο φουσκώματος (18) από το άκρο του σωλήνα υψηλής πίεσης (7).

- ♦ Τοποθετήστε τον προσαρμογέα υψηλής πίεσης (24) στο άκρο του σωλήνα υψηλής πίεσης (εικ. Η).

Πολλά από τα αντικείμενα που μπορείτε να φουσκώσετε διαθέτουν ένα περὺγιο για να αποτρέπει την απώλεια αέρα κατά το φούσκωμα, ειδικά τα στρώματα αέρα. Αν δεν μετακινήσετε το περὺγιο με το στόμιο αέρα, το φουσκωτό δε θα φουσκώσει. Σπρώξτε δυνατά το στόμιο μέσα στη βαλβίδα για να βεβαιωθείτε ότι εκτοπίζετε και το περὺγιο.

Προειδοποίηση! Η υπερβολική πίεση αέρα μπορεί να προκαλέσει κίνδυνο σκασίματος ή προσωπικού τραυματισμού. Ελέγξτε τη μέγιστη ονομαστική πίεση που ορίζει ο κατασκευαστής για αντικείμενα που χρειάζονται φούσκωμα.

Σημείωση: Εάν η ονομαστική πίεση για το αντικείμενο που φουσκώνετε είναι πάνω από 100 PSI / 6.89 BAR / 689 KPA, σημειώστε ότι ο μέγιστος χρόνος λειτουργίας είναι 10 λεπτά και αφήστε να περάσουν 20 λεπτά πριν επαναλάβετε τη χρήση.

Λειτουργία του αεροσυμπιεστή (εικ. Ε)

Προειδοποίηση! Μη θέσετε σε λειτουργία τον αεροσυμπιεστή κατά τη διάρκεια της λειτουργίας του κινητήρα του αυτοκινήτου.

Σημείωση: Βεβαιωθείτε ότι η πρίζα 12 Vdc έχει ρεύμα. Σε ορισμένα οχήματα η υποδοχή αναπήρα έχει ρεύμα μόνο όταν το κλειδί βρίσκεται στη βοηθητική θέση.

Για ενεργοποίηση της οθόνης από τον προσαρμογέα 12 Vdc:

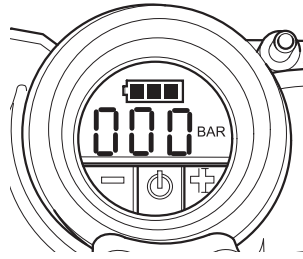
- ♦ Πάντοτε να εκτείνετε πλήρως το καλώδιο 12 Vdc πριν από κάθε χρήση.
- ♦ Συνδέστε τον προσαρμογέα 12 Vdc (8) στην πρίζα 12 Vdc του οχήματός σας.
- ♦ Για να ενεργοποιήσετε την οθόνη LCD, βάλετε το διακόπτη λειτουργίας (1) στη θέση φουσκώματος (c).

Για να ενεργοποιήσετε την οθόνη LCD από την εσωτερική μπαταρία (εργασία χωρίς καλώδιο):

- ♦ Για να ενεργοποιήσετε την οθόνη LCD, βάλετε το διακόπτη λειτουργίας (1) στη θέση φουσκώματος (c).

Προειδοποίηση! Μη αφήνετε τον αεροσυμπιεστή να λειτουργεί χωρίς επίβλεψη. Μπορεί να προκαλέσει "σκάσιμο" των ελαστικών ή άλλων αντικειμένων.

Ρύθμιση της απαιτούμενης πίεσης (εικ. Ε)



Σημείωση: Η οθόνη LCD απεικονίζει την πίεση φουσκώματος μόνο όταν χρησιμοποιείται ο αεροσυμπιεστής. Η κατάσταση μπαταρίας απεικονίζεται μονίμως.



Χρειάζεται φόρτιση.



Φόρτιση.



Πλήρης φόρτιση.

Σημείωση: Πρέπει να ρυθμίσετε τη λειτουργία αυτόματης απενεργοποίησης πριν τη λειτουργία της συσκευής (μόνο λειτουργία φουσκώματος).

- ♦ Για εναλλαγή μεταξύ των διαφορετικών μονάδων (PSI, BAR ή KPA), πιέστε τα πλήκτρα + ή το - (21, 23) ταυτόχρονα μέχρι να εμφανιστούν οι απαιτούμενες μονάδες.
- ♦ Πιέστε και κρατήστε το πλήκτρο + ή το - (21, 23) για 3 δευτερόλεπτα μέχρι να αναβοσβήσει η οθόνη.
- ♦ Ενώ αναβοσβήνει η οθόνη πιέστε τα πλήκτρα - ή + (21, 23) μέχρι να εμφανιστεί η απαιτούμενη πίεση.
- ♦ Μετά από 3 δευτερόλεπτα η οθόνη θα αναβοσβήσει και θα επανέλθει σε μια ένδειξη "0.0 PSI / 0.00 BAR / 0 KPA". Κάτι τέτοιο είναι φυσιολογικό.
- ♦ Συνδέστε τον προσαρμογέα βαλβίδας γενικής χρήσης (6) και ένα αξεσουάρ εάν χρειάζεται, στο προς φούσκωμα αντικείμενο, εξασφαλίζοντας ότι ο μοχλός (19) του προσαρμογέα βαλβίδας είναι στην κάτω θέση για να ασφαλίσει στη θέση του.

Σημείωση: Βεβαιωθείτε ότι ο προσαρμογέας βαλβίδας γενικής χρήσης είναι σωστά τοποθετημένος πάνω στο προς φούσκωμα αντικείμενο.

- ♦ Για να ξεκινήσετε τον αεροσυμπιεστή πατήστε το κουμπί ισχύος (22) πάνω στην οθόνη LCD.
- ♦ Όταν η στάθμη φουσκώματος του προς φούσκωμα αντικείμενου φτάσει στην προκαθορισμένη τιμή η συσκευή θα σταματήσει αυτόματα.

Σημείωση: Ίσως παρατηρήσετε ότι η τρέχουσα μέτρηση πίεσης μπορεί να πέσει μετά από 1-2 δευτερόλεπτα, αυτό είναι φυσιολογικό.

- ◆ Για να σταματήσετε τον αεροσυμπιεστή οποιαδήποτε στιγμή πατήστε το κουμπί ισχύος (22) πάνω στην οθόνη LCD.
- ◆ Αφαιρέστε τον προσαρμογέα βαλβίδας ή αξεσουάρ από το φουσκωμένο αντικείμενο και τον προσαρμογέα 12 Vdc (6) από την πρίζα 12 Vdc του αυτοκινήτου σας.
- ◆ Βάλτε το διακόπτη λειτουργίας (1) στη θέση απενεργοποίησης (off) (b).

Σημείωση: Εάν κλείσετε το διακόπτη λειτουργίας, όλες οι ρυθμίσεις θα χαθούν και θα πρέπει να επανεισαχθούν ακολουθώντας τις οδηγίες υπό την επικήφαλδα 'Ρύθμιση της απαιτούμενης πίεσης'. Αυτό είναι ένα χαρακτηριστικό ασφαλείας για την αποφυγή του κινδύνου ΥΠΕΡΒΟΛΙΚΟΥ ΦΟΥΣΚΩΜΑΤΟΣ.

Χρήση του αεροσυμπιεστή ως μετρητή πίεσης

- ◆ Βάλτε το διακόπτη λειτουργίας (1) στη θέση φουσκώματος (c εικ. E).
- ◆ Συνδέστε τον προσαρμογέα βαλβίδας γενικής χρήσης (6) στο υπό έλεγχο αντικείμενο.
- ◆ Στην οθόνη LCD απεικονίζεται η πίεση του αντικείμενου.
- ◆ Μετά τον έλεγχο, βάλτε το διακόπτη λειτουργίας (1) στη θέση off και ξαναβάλτε το σωλήνα αέρα στη θέση αποθήκευσης.

Λειτουργία της αντλίας υψηλής πίεσης

Σημείωση: Μη χρησιμοποιείτε την αντλία με τη μηχανή του αυτοκινήτου αναμμένη.

Σημείωση: Βεβαιωθείτε ότι η πρίζα 12 Vdc έχει ρεύμα. Σε ορισμένα οχήματα η υποδοχή αναπτήρα έχει ρεύμα μόνο όταν το κλειδί βρίσκεται στη βοηθητική θέση.

Για να φουσκώσετε με την αντλία υψηλής πίεσης (π.χ στρώματα θαλάσσης, φουσκωτά στρώματα, πλωτές πισίνες):

Σημείωση: Σε κατάσταση λειτουργίας της αντλίας ΔΕΝ ΔΙΑΤΙΘΕΤΑΙ η λειτουργία αυτόματης απενεργοποίησης.

- ◆ Βάλτε το διακόπτη λειτουργίας (1) στη θέση αντλίας (a, εικ. E).
- ◆ Αφαιρέστε το σωλήνα υψηλής πίεσης (7) από το κανάλι αποθήκευσης γύρω από το κέντρο της συσκευής και συνδέστε τον στη σύνδεση φουσκώματος της αντλίας υψηλής πίεσης (10) (εικ. F).
- ◆ Εισάγετε το σωλήνα (με αξεσουάρ αν χρειάζεται) μέσα στο αντικείμενο που θα φουσκώσετε.
- ◆ Για να ξεκινήσετε την αντλία πατήστε το κουμπί ισχύος (22) πάνω στην οθόνη LCD.
- ◆ Όταν αντικείμενο φουσκώσει όσο χρειάζεται ή για να σταματήσετε την αντλία οποιαδήποτε στιγμή πατήστε το κουμπί ισχύος (22) πάνω στην οθόνη LCD.

- ◆ Αφαιρέστε το σωλήνα από το αντικείμενο και αποθηκεύστε το πάνω στη συσκευή.
- ◆ Βάλτε το διακόπτη λειτουργίας (1) στη θέση off (b εικ. E).

Για το ξεφούσκωμα αντικειμένων χρησιμοποιώντας την αντλία υψηλής πίεσης (π.χ στρώματα θαλάσσης, φουσκωτά στρώματα, πλωτές πισίνες):

Σημείωση: Σε κατάσταση λειτουργίας της αντλίας ΔΕΝ ΔΙΑΤΙΘΕΤΑΙ η λειτουργία αυτόματης απενεργοποίησης.

- ◆ Βάλτε το διακόπτη λειτουργίας (1) στη θέση αντλίας (a εικ. E).
- ◆ Αφαιρέστε το σωλήνα υψηλής πίεσης (7) από το κανάλι αποθήκευσης γύρω από το κέντρο της συσκευής και συνδέστε τον στη σύνδεση αντλίας ξεφουσκώματος υψηλής πίεσης (4) (εικ. F).
- ◆ Εισάγετε το σωλήνα (με αξεσουάρ αν χρειάζεται) μέσα στο προς φούσκωμα αντικείμενο.
- ◆ Για να ξεκινήσετε την αντλία πατήστε το κουμπί ισχύος (22) πάνω στην οθόνη LCD.
- ◆ Όταν αντικείμενο ξεφουσκώσει όσο χρειάζεται ή για να σταματήσετε την αντλία οποιαδήποτε στιγμή πατήστε το κουμπί ισχύος (22) πάνω στην οθόνη LCD.
- ◆ Αφαιρέστε το σωλήνα υψηλής πίεσης (7) από το αντικείμενο και αποθηκεύστε τον μέσα στο κανάλι αποθήκευσης γύρω από το κέντρο της συσκευής.
- ◆ Βάλτε το διακόπτη λειτουργίας (1) στη θέση off (b εικ. E).

Λειτουργία της λυχνίας LED

Για να ενεργοποιήσετε τη λυχνία LED (12):

- ◆ Βάλτε το διακόπτη λειτουργίας (1) στη θέση φουσκώματος (c εικ. E) ή της αντλίας (a εικ. E).
- ◆ Πατήστε το κουμπί - ή + (21, 23) πάνω στην οθόνη LCD (2) για να ενεργοποιήσετε τη λυχνία LED (12).

Για να απενεργοποιήσετε τη λυχνία LED (12):

- ◆ Πατήστε το κουμπί - ή + (21, 23) ξανά.
- ◆ Βάλτε το διακόπτη λειτουργίας (1) στη θέση απενεργοποίησης (off).

Λειτουργία αναμονής για επιμήκυνση της διάρκειας ζωής της μπαταρίας

Η συσκευή αυτή είναι εξοπλισμένη με μια λειτουργία αναμονής που βοηθάει στην επιμήκυνση της διάρκειας ζωής της μπαταρίας.

Εάν η συσκευή παραμείνει σε λειτουργία αχρησιμοποίητη για περισσότερα από δύο λεπτά, περνάει αυτόματα στη λειτουργία αναμονής.

- ◆ Για να ενεργοποιήσετε πάλι τη συσκευή μετακινήστε το διακόπτη λειτουργίας (1) από τη θέση on στη θέση off ή πατήστε κάποιο κουμπί πάνω στην οθόνη LCD (2).

Σημείωση: Μετά από την κατάσταση αναμονής, όλες οι ρυθμίσεις χάνονται και θα πρέπει να επανεισαχθούν ακολουθώντας τις οδηγίες υπό την επικεφαλίδα 'Ρύθμιση της απαιτούμενης πίεσης'.

Συντήρηση

Αυτή η συσκευή/εργαλείο με καλώδιο/χωρίς καλώδιο της Black & Decker έχει σχεδιαστεί έτσι ώστε να λειτουργεί για μεγάλο χρονικό διάστημα με την ελάχιστη δυνατή συντήρηση. Η αδιάλειπτη και ικανοποιητική λειτουργία της συσκευής/εργαλείου εξαρτάται από τη φροντίδα και τον τακτικό καθαρισμό της.

Προειδοποίηση! Πριν πραγματοποιήσετε οποιαδήποτε συντήρηση σε εργαλεία/συσκευές με καλώδιο/χωρίς καλώδιο:

- ◆ Απενεργοποιήστε και αποσυνδέστε τη συσκευή/εργαλείο από την πρίζα.
- ◆ Ή απενεργοποιήστε και αφαιρέστε την μπαταρία από τη συσκευή/εργαλείο εάν η συσκευή/εργαλείο διαθέτει ξεχωριστή μπαταρία.
- ◆ Πριν καθαρίσετε το φορτιστή, αποσυνδέστε τον από την πρίζα. Ο φορτιστής σας δεν απαιτεί κάποια συντήρηση εκτός του τακτικού καθαρισμού.
- ◆ Να καθαρίζετε τακτικά τις εγκοπές εξαιρισμού της συσκευής/εργαλείου/φορτιστή με μια μαλακή βούρτσα ή με ένα στεγνό πανί.
- ◆ Να καθαρίζετε τακτικά το περίβλημα με ένα καθαρό υγρό πανί. Μη χρησιμοποιείτε λειαντικά καθαριστικά ή υγρά καθαρισμού που περιέχουν διαλυτικά.
- ◆ Να ανοίγετε τακτικά το τσοκ και να το χτυπάτε ελαφρά για να αφαιρείται η σκόνη από το εσωτερικό του (Εφόσον εφαρμόζεται).

Αντιμέτωπιση προβλημάτων

Πρόβλημα	Πιθανή αιτία	Πιθανή λύση
Οαεροσυμπιεστής δε λειτουργεί.	Σφάλμα εσωτερικής μπαταρίας. Ο προσαρμογέας 12 Vdc δεν είναι συνδεδεμένος. Η πρίζα δεν έχει ρεύμα. Ο διακόπτης ON/OFF δεν είναι στη σωστή θέση. Δεν έχει προρυθμιστεί η τιμή.	Επαναφόρτιση της μπαταρίας. Συνδέστε τον προσαρμογέα 12 Vdc. Γυρίστε το κλειδί στη βοηθητική θέση. Γυρίστε το διακόπτη λειτουργίας στην απαιτούμενη θέση. Ρυθμίστε την προκαθορισμένη τιμή.

Πρόβλημα	Πιθανή αιτία	Πιθανή λύση
	Η ασφάλεια του προσαρμογέα Vdc είναι καμένη.	Αντικαταστήστε την ασφάλεια με μια του ίδιου μεγέθους και τύπου (8A/250V).
	Το καλώδιο ή ο διακόπτης έχει χαλάσει.	Απευθυνθείτε σε ένα Κέντρο Σέρβις της Black & Decker ή σε ένα Εξουσιοδοτημένο Κέντρο Σέρβις για αντικατάσταση του καλωδίου ή του διακόπτη.
Οαεροσυμπιεστής δε φουσκώνει.	Έχει επιλεγεί λάθος τρόπος λειτουργίας.	Επιλέξτε το σωστό τρόπο λειτουργίας.
Η οθόνη LCD δεν ανάβει.	Η συσκευή βρίσκεται σε κατάσταση αναμονής.	Πιέστε οποιοδήποτε κουμπί στην οθόνη LCD ή το διακόπτη ενεργοποίησης/ απενεργοποίησης.

Αντικατάσταση της ασφάλειας στην υποδοχή αναπτήρα αυτοκινήτου

- ◆ Αφαιρέστε το καπάκι περιστρέφοντάς το προς τα αριστερά.
- ◆ Αφαιρέστε το καπάκι και τον κεντρικό πείρο.
- ◆ Αφαιρέστε την ασφάλεια.
- ◆ Τοποθετήστε μια καινούργια ασφάλεια του ίδιου μεγέθους και τύπου (8A/250V).
- ◆ Τοποθετήστε και πάλι το καπάκι και τον κεντρικό πείρο.
- ◆ Σφίξτε το καπάκι στρέφοντάς το προς τα δεξιά επάνω στο φισ.

Προστασία του περιβάλλοντος



Επιλεκτική περισυλλογή. Αυτό το προϊόν δεν πρέπει να απορρίπτεται μαζί με τα κοινά οικιακά απορρίμματα.

Εάν κάποια μέρα διαπιστώσετε ότι το προϊόν σας Black & Decker χρειάζεται αντικατάσταση ή ότι δεν το χρειάζεστε άλλο, μην το απορρίψετε μαζί με τα κοινά απορρίμματα. Αντί αυτού, κάντε αυτό το προϊόν διαθέσιμο για ξεχωριστή περισυλλογή.



Η ανεξάρτητη συλλογή των μεταχειρισμένων προϊόντων και των υλικών συσκευασίας δίνει τη δυνατότητα ανακύκλωσης και επαναχρησιμοποίησης των υλικών. Με την επαναχρησιμοποίηση των ανακυκλωμένων υλικών αποτρέπεται η μόλυνση του περιβάλλοντος και μειώνεται η ζήτηση πρώτων υλών.

Οι τοπικοί κανονισμοί ενδέχεται να προβλέπουν την ξεχωριστή περισυλλογή των ηλεκτρικών συσκευών από τα νοικοκυριά, σε δημοτικές εγκαταστάσεις απορριμμάτων ή από τον έμπορο όταν αγοράζετε ένα καινούργιο προϊόν.

Η Black & Decker δίνει τη δυνατότητα ανακύκλωσης των προϊόντων Black & Decker που έχουν συμπληρώσει τη διάρκεια ζωής τους. Για να χρησιμοποιήσετε αυτήν την υπηρεσία, επιστρέψτε το προϊόν σας σε οποιοδήποτε εξουσιοδοτημένο κέντρο επισκευών, όπου θα το παραλάβουν εκ μέρους μας.

Ενημερωθείτε για το πλησιέστερο εξουσιοδοτημένο κέντρο επισκευών της περιοχής σας επικοινωνώντας με το τοπικό γραφείο της Black Decker στη διεύθυνση που υποδεικνύεται σε αυτό το εγχειρίδιο. Επίσης, μια λίστα με τα εξουσιοδοτημένα κέντρα επισκευών της Black & Decker και πλήρεις λεπτομέρειες για τις υπηρεσίες που παρέχονται μετά την πώληση καθώς και στοιχεία επικοινωνίας, υπάρχουν στο Διαδίκτυο, στη διεύθυνση:

www.2helpU.com.

Τεχνικά χαρακτηριστικά

ASI500 H1	
Τάση εισόδου	Vdc 12
Ρεύμα εισόδου	A 8
SLA (Μολύβδου κλειστού τύπου)	Ah 3.2
Πίεση (μέγ.)	PSI / BAR / KPA 160 / 11.03 / 1103
Βάρος	kg 3.03

Φορτιστής	
Είσοδος	Vac 230
Έξοδος	Vdc 12
Ρεύμα εξόδου	A 1

Εγγύηση

Η Black & Decker είναι σίγουρη για την ποιότητα των προϊόντων της και παρέχει μια εξαιρετική εγγύηση. Η παρούσα γραπτή εγγύηση αποτελεί πρόσθετο δικαίωμά σας και δεν ζημιώνει τα νόμιμα δικαιώματά σας. Η εγγύηση ισχύει εντός της επικράτειας των Κρατών Μελών της Ευρωπαϊκής Ένωσης και της Ευρωπαϊκής Ζώνης Ελευθέρων Συναλλαγών.

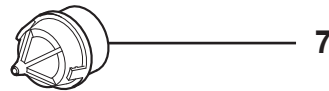
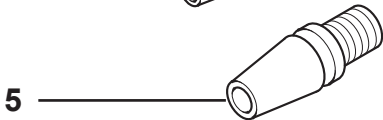
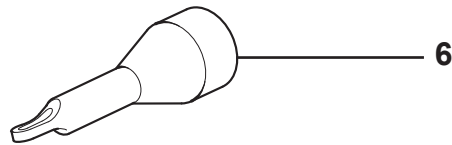
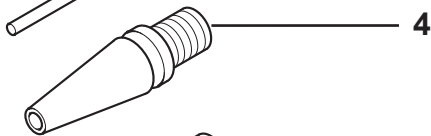
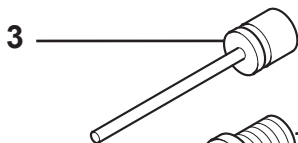
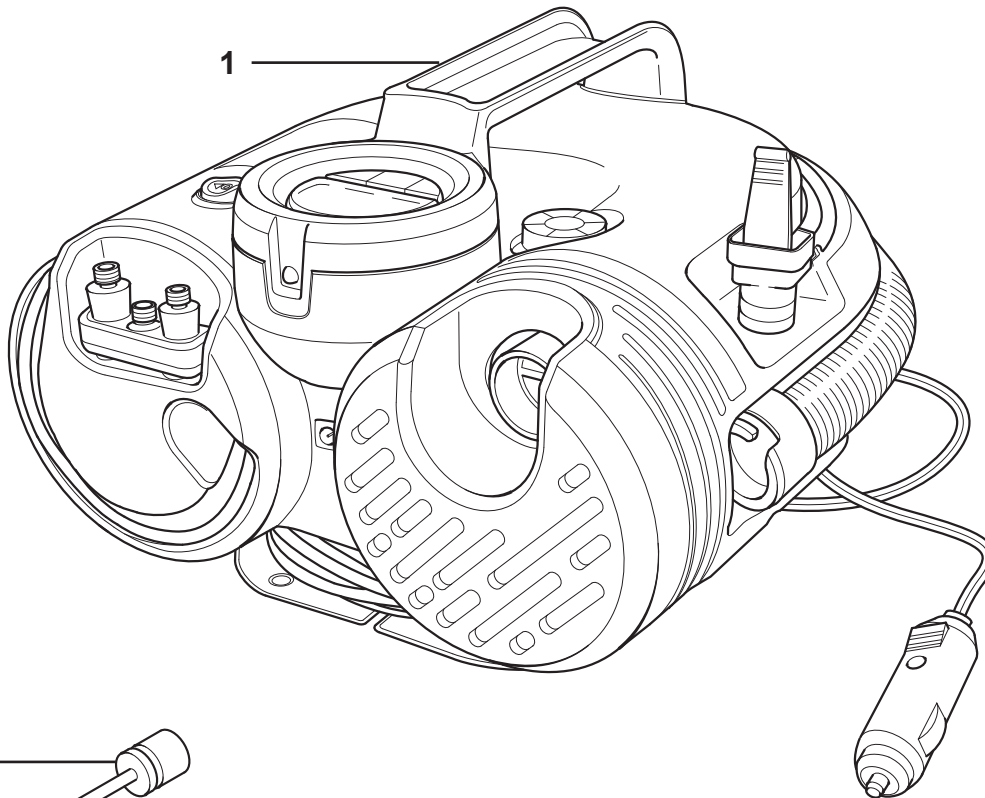
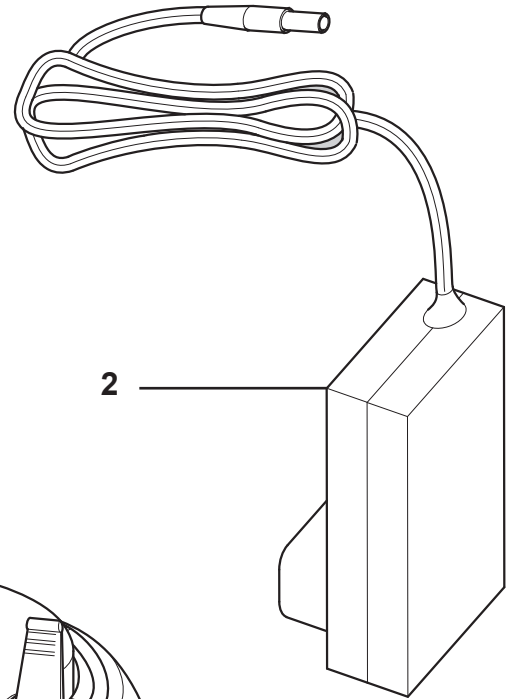
Σε περίπτωση που κάποιο προϊόν της Black & Decker παρουσιάσει βλάβη εξαιτίας ελαττωματικών υλικών, κακής ποιότητας εργασίας ή έλλειψης συμμόρφωσης με τις προδιαγραφές εντός 24 μηνών από την ημερομηνία αγοράς, η Black & Decker εγγυάται την αντικατάσταση των ελαττωματικών τμημάτων, την επισκευή προϊόντων που έχουν υποστεί εύλογη φθορά λόγω χρήσης ή την αντικατάσταση τέτοιων προϊόντων προκειμένου να εξασφαλίσει την ελάχιστη ενόχληση στους πελάτες της, εκτός εάν:

- Το προϊόν έχει χρησιμοποιηθεί σε εργασιακό, επαγγελματικό περιβάλλον ή έχει ενοικιαστεί.
- Έχει γίνει εσφαλμένη χρήση του προϊόντος ή υπήρξε αμέλεια.
- Το προϊόν έχει υποστεί βλάβη από άλλα αντικείμενα, από ουσίες ή λόγω ατυχήματος.
- Έχει γίνει προσπάθεια επισκευής από άτομα που δεν έχουν σχέση με τα εξουσιοδοτημένα κέντρα επισκευών ή με το προσωπικό σέρβις της Black & Decker.

Για να ισχύσει η εγγύηση, πρέπει να υποβάλετε απόδειξη αγοράς στον πωλητή ή το εξουσιοδοτημένο κέντρο επισκευών. Ενημερωθείτε για το πλησιέστερο εξουσιοδοτημένο κέντρο επισκευών της περιοχής σας επικοινωνώντας με το τοπικό γραφείο της Black & Decker στη διεύθυνση που υποδεικνύεται σε αυτό το εγχειρίδιο. Επίσης, μια λίστα με τα εξουσιοδοτημένα κέντρα επισκευών της Black & Decker και πλήρεις λεπτομέρειες για τις υπηρεσίες που παρέχονται μετά την πώληση καθώς και στοιχεία επικοινωνίας, υπάρχουν στο Διαδίκτυο, στη διεύθυνση: www.2helpU.com.

Παρακαλούμε επισκεφθείτε την ιστοσελίδα μας www.blackanddecker.eu για να καταχωρήσετε το νέο σας προϊόν Black & Decker και για να ενημερώνεστε για τα νέα προϊόντα και τις ειδικές προσφορές. Περισσότερες πληροφορίες σχετικά με τη μάρκα Black & Decker και τη σειρά των προϊόντων μας θα βρείτε στη διεύθυνση www.blackanddecker.eu.

Partial support - Only parts shown available
Nur die aufgeführten teile sind lieferbar
Reparation partielle - Seules les pieces indiquees sont disponibles
Supporto parziale - Sono disponibili soltanto le parti evidenziate
Solo estan disponibles las peizas listadas
So se encontram disponiveis as pecas listadas
Gedeeltelijke ondersteuning - alleen de getoonde onderdelen
zijn beschikbaar



België/Belgique	Black & Decker (Belgium) N.V. Nieuwlandlaan 321 3200 Aarschot	Tel. Fax	016 68 91 00 016 68 91 11
Danmark	Black & Decker Sluseholmen 2-4, 2450 København SV Internet: www.blackanddecker.dk	Tel. Fax	70 20 15 10 70 22 49 10
Deutschland	Black & Decker GmbH Black & Decker Str. 40, D - 65510 Idstein	Tel. Fax	06126/21 - 0 06126/21 29 80
Ελλάδα	Black & Decker (Ελλάς) A.E. Στράβωνος 7 & Λεωφ. Βουλιαγμένης 159 166 74 Γλυφάδα - Αθήνα	Τηλ. Φαξ www.blackanddecker.eu	210 8981616 210 8983285
España	Black & Decker Ibérica, S.C.A. Parc de Negocis "Mas Blau" Edificio Muntadas, c/Bergadá, 1, Of. A6 08820 El Prat de Llobregat (Barcelona)	Tel. Fax	934 797 400 934 797 419
France	Black & Decker (France) S.A.S. B.P. 21, 69571 Dardilly Cédex	Tel. Fax	04 72 20 39 20 04 72 20 39 00
Helvetia	ROFO AG Gewerbezone Seeblick 3213 Kleinbösingen	Tel. Fax	026-6749391 026-6749394
Italia	Black & Decker Italia SpA Viale Elvezia 2 20052 Monza (MI)	Tel. Fax Numero verde	039-23871 039-2387592/2387594 800-213935
Nederland	Black & Decker Benelux Joulehof 12, 4622 RG Bergen op Zoom	Tel. Fax	0164 - 283000 0164 - 283100
Norge	Black & Decker (Norge) A/S Postboks 4814, Nydalen, 0422 Oslo Internet: www.blackanddecker.no	Tlf. Fax	22 90 99 00 22 90 99 01
Österreich	Black & Decker Vertriebsges.m.b.H Oberlaaerstraße 246, A1100 Wien	Tel. Fax	01 66116-0 01 66116-14
Portugal	Black & Decker Rua Egas Moniz 173 S. João do Estoril 2766-651 Estoril	Tel. Fax	214667500 214667580
Suomi	Black & Decker Oy Keilasatama 3, 02150 Espoo Black & Decker Oy, Kägelhamnen 3, 02150 Esbo	Puh. Faksi Tel. Fax	010 400 430 (09) 2510 7100 010 400 430 (09) 2510 7100
Sverige	Black & Decker AB Fabriksg. 7, 412 50 Göteborg	Tel. Fax	031-68 60 60 031-68 60 80
United Kingdom	Black & Decker 210 Bath Road Slough, Berkshire SL1 3YD	Tel. Fax Helpline	01753 511234 01753 551155 01753 574277
Middle East & Africa	Black & Decker (Overseas) A.G. PB 5420, Dubai, United Arab Emirates	Tel. Fax	+971 4 2826464 +971 4 2826466

ENGLISH

Do not forget to register your product!
www.blackanddecker.co.uk/productregistration

Register your product online at **www.blackanddecker.co.uk/productregistration** or send your name, surname and product code to Black & Decker in your country.

DEUTSCH

Vergessen Sie nicht, Ihr Produkt registrieren zu lassen!
www.blackanddecker.de/productregistration

Lassen Sie Ihr Produkt unter **www.blackanddecker.de/productregistration** online registrieren oder schicken Sie Ihren Nachnamen, Vornamen und den Produktcode an Black & Decker in Ihrem Land.

FRANÇAIS

N'oubliez pas d'enregistrer votre produit !
www.blackanddecker.fr/productregistration

Enregistrez votre produit en ligne sur **www.blackanddecker.fr/productregistration** ou envoyez vos nom, prénom et code produit à Black & Decker dans votre pays.

ITALIANO

Non dimenticate di registrare il prodotto!
www.blackanddecker.it/productregistration

Registrate il prodotto online su **www.blackanddecker.it/productregistration** o inviate nome, cognome e codice del prodotto al centro Black & Decker del vostro paese.

NEDERLANDS

Vergeet niet uw product te registreren!
www.blackanddecker.nl/productregistration

U kunt uw product online registreren op **www.blackanddecker.nl/productregistration** of u kunt uw voornaam, achternaam en productcode opsturen naar Black & Decker in uw land.

ESPAÑOL

¡No olvide registrar su producto!
www.blackanddecker.es/productregistration

Registre su producto on-line en **www.blackanddecker.es/productregistration** o envíe su nombre, apellidos y código de producto a Black & Decker en su país.

PORTUGUÊS

Não se esqueça de registrar o seu produto!
www.blackanddecker.pt/productregistration

Registe o seu produto online em **www.blackanddecker.pt/productregistration** ou envie o seu nome, apelido e código do produto para a Black & Decker no seu país.

SVENSKA

Glöm inte att registrera produkten!
www.blackanddecker.se/productregistration

Registrera produkten online på **www.blackanddecker.se/productregistration** eller skicka namn och produktkod till Black & Decker i landet du bor i.

NORSK

Ikke glem å registrere produktet ditt!
www.blackanddecker.no/productregistration

Registrer produktet ditt online på **www.blackanddecker.no/productregistration**, eller send ditt navn, etternavn og produktkode til Black & Decker i ditt eget land.

DANSK

Glem ikke at registrere dit produkt!
www.blackanddecker.dk/productregistration

Registrer dit produkt på internettet på: **www.blackanddecker.dk/productregistration** eller send dit navn, efternavn og produktkode til Black & Decker i dit eget land.

SUOMI

Muistathan rekisteröidä tuotteesi!
www.blackanddecker.fi/productregistration

Rekisteröi tuotteesi verkossa osoitteessa **www.blackanddecker.fi/productregistration** tai lähetä etunimesi, sukunimesi ja tuotekoodi oman maasi Black & Decker -edustajalle.

ΕΛΛΗΝΙΚΑ

Μην ξεχάσετε να καταχωρίσετε το προϊόν σας!
www.blackanddecker.gr/productregistration

Καταχωρίστε το προϊόν σας σε σύνδεση στη σελίδα **www.blackanddecker.gr/productregistration** ή στείλτε το όνομα, επίθετο σας και τον κωδικό πριονωτός στη Black & Decker στη χώρα σας.