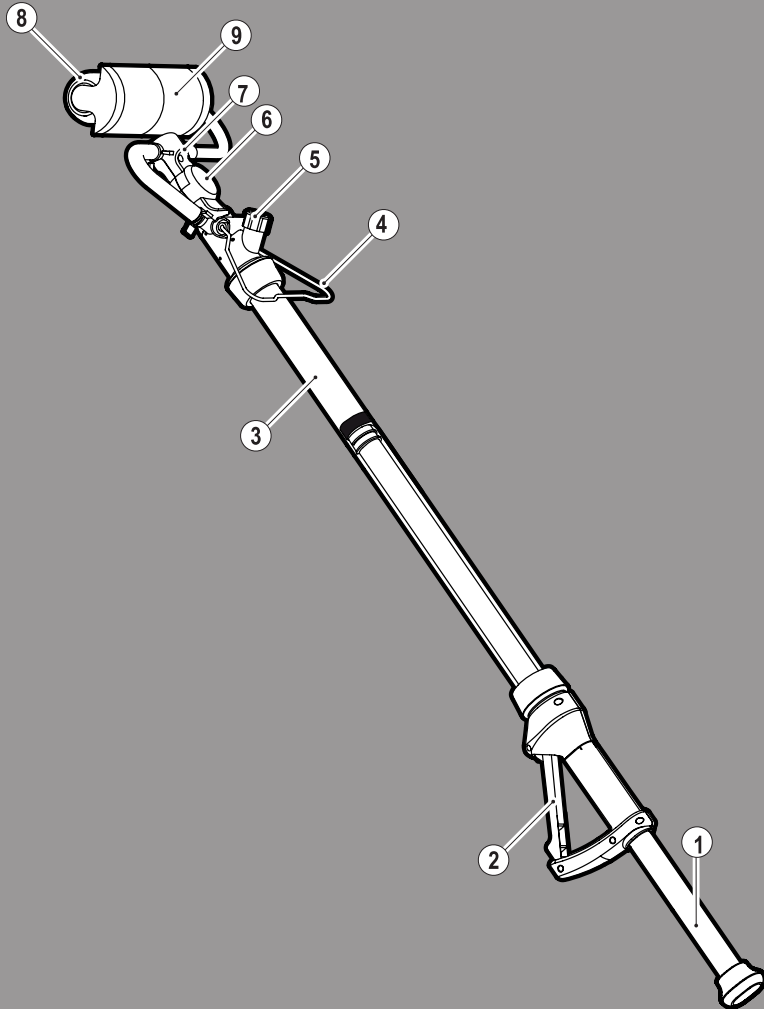




BLACK & DECKER®



www.blackanddecker.eu

BDPR400

EN

DE

FR

IT

NL

ES

PT

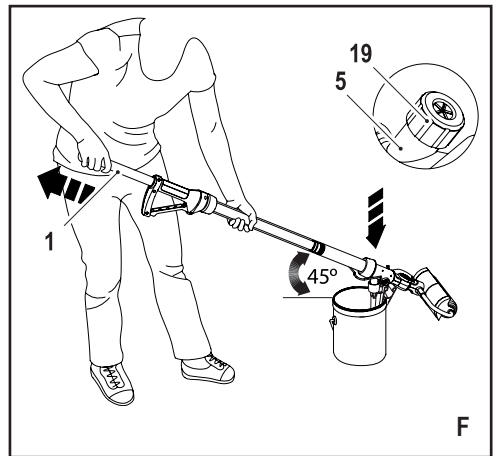
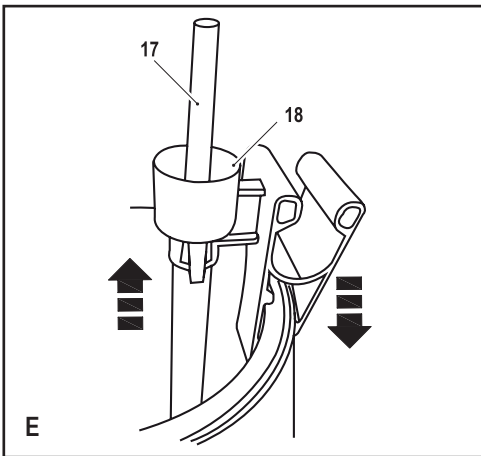
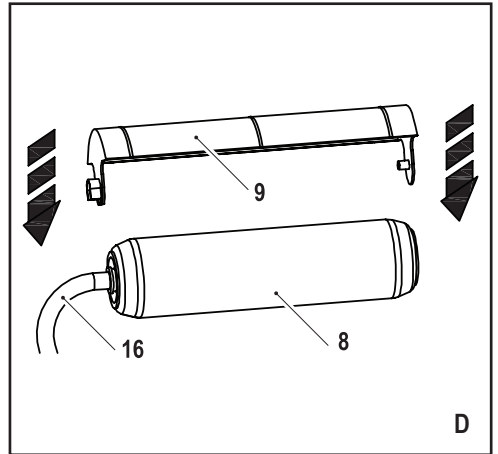
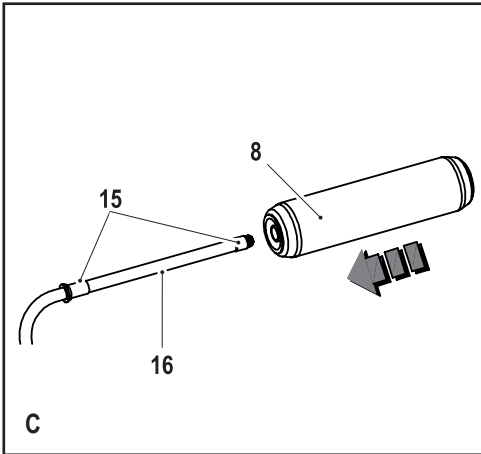
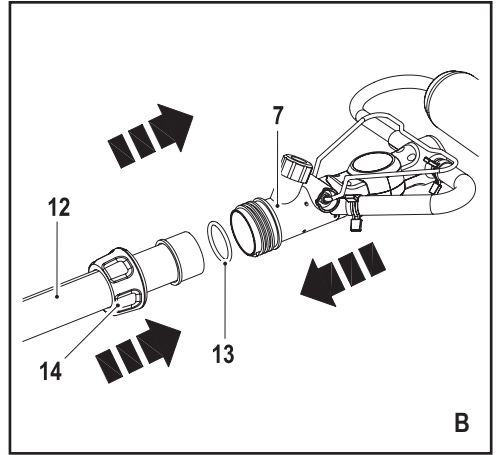
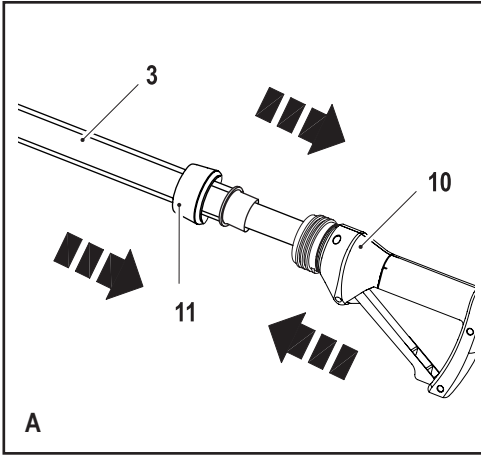
SV

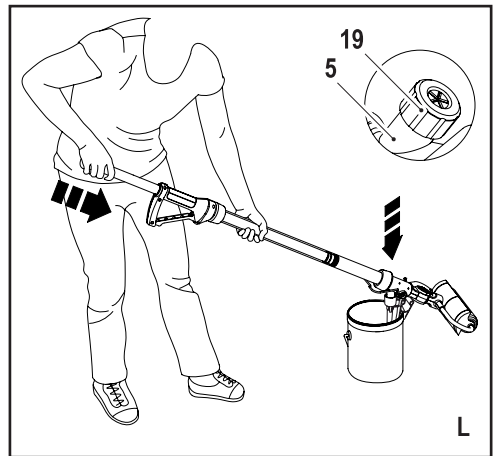
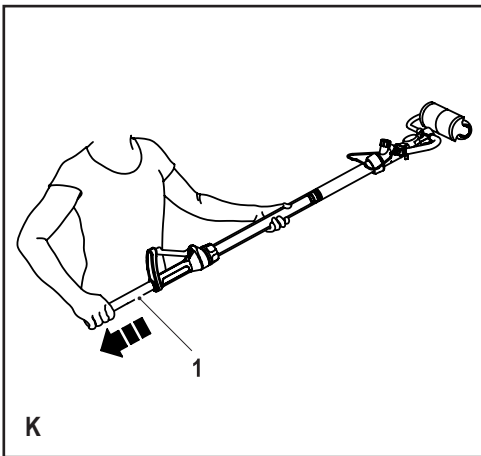
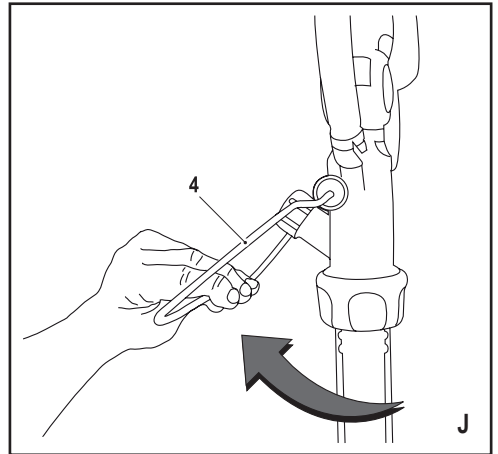
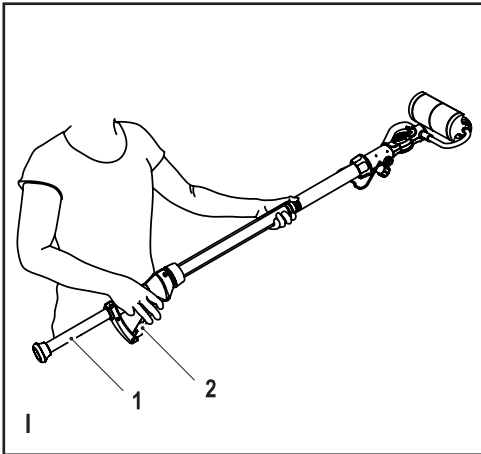
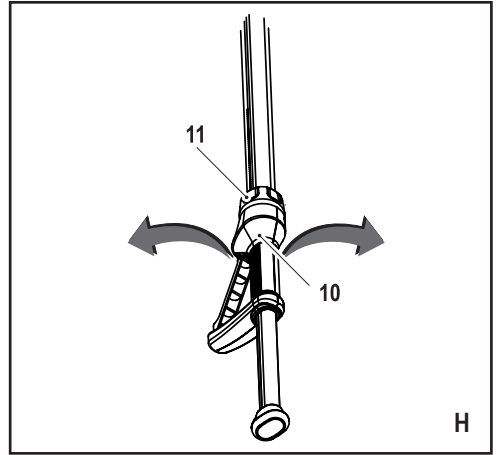
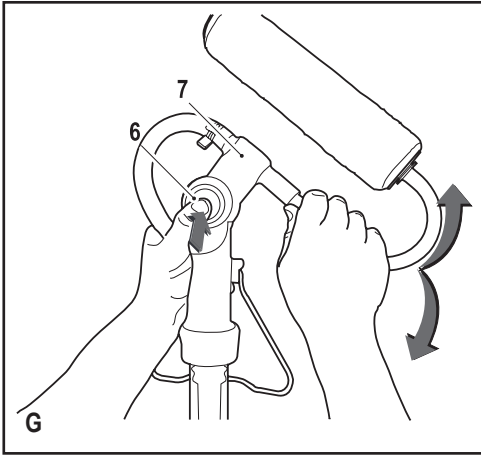
NO

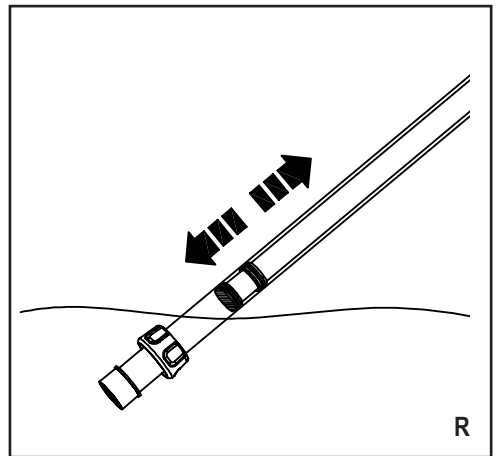
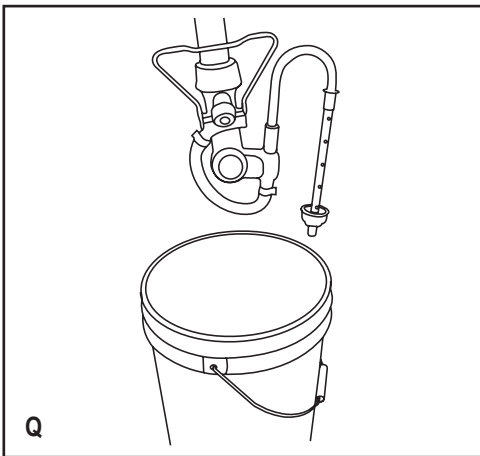
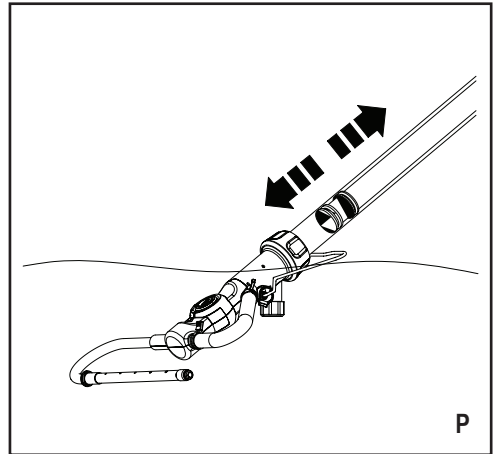
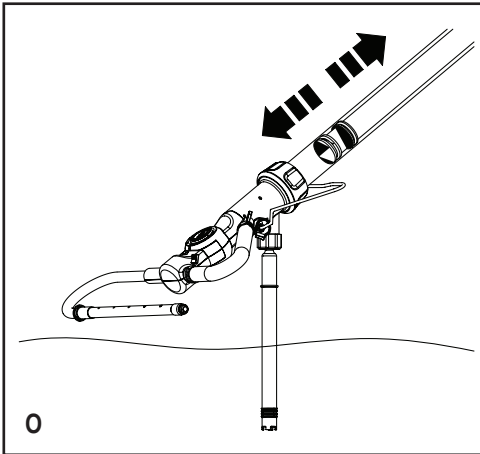
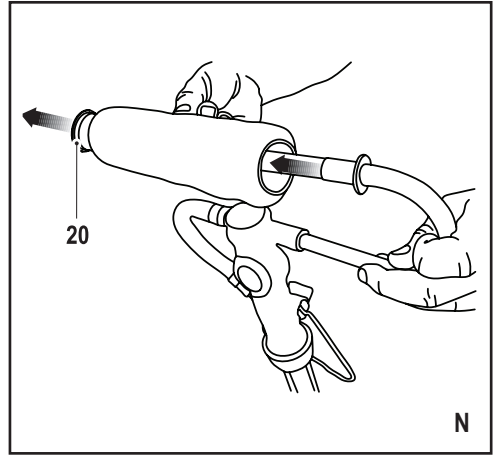
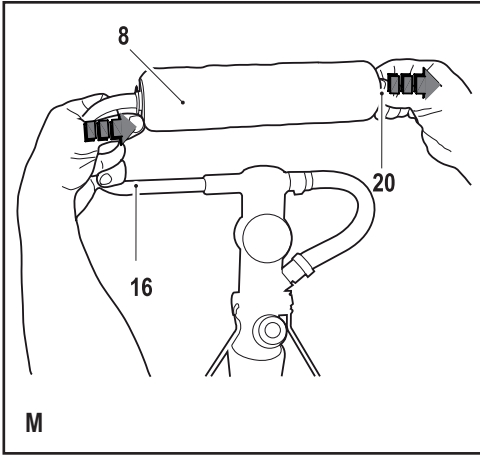
DK

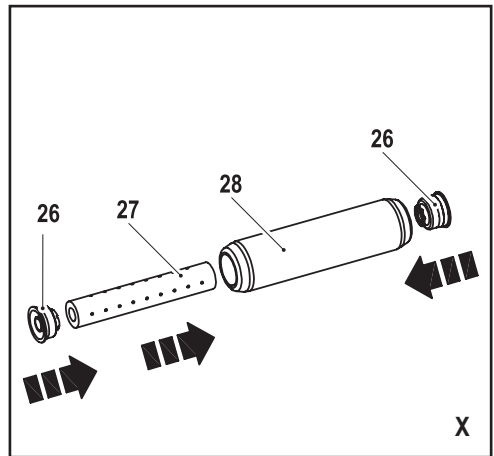
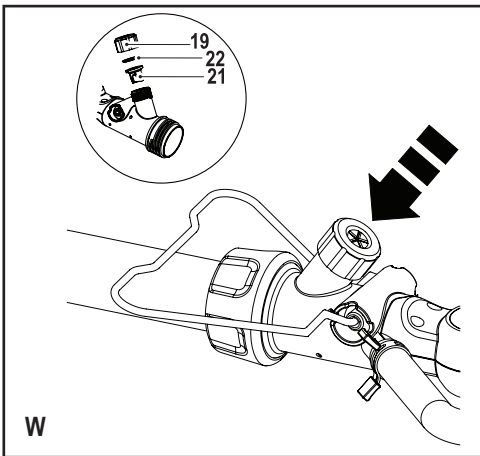
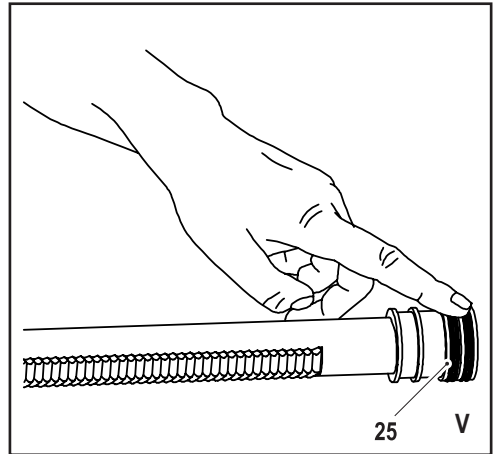
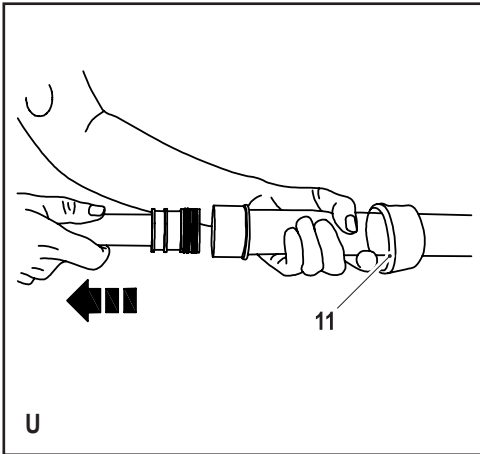
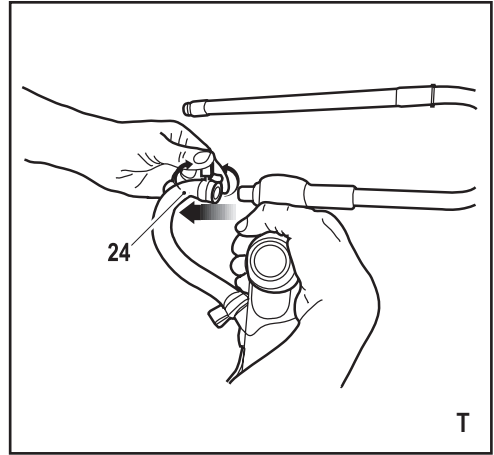
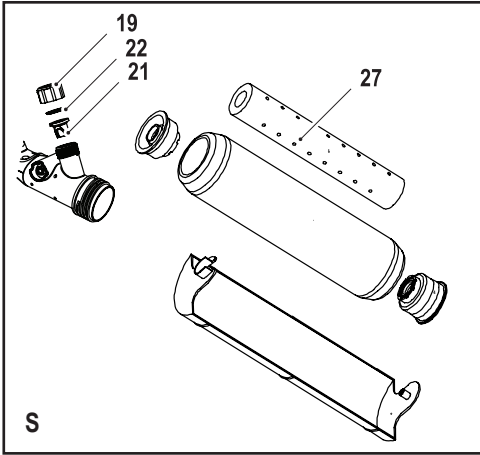
FI

EL









Intended use

Your Black & Decker Speedy Roller™ has been designed for applying paint to walls and ceilings. This appliance is intended for indoor household use only.

Safety instructions



Warning! Read all safety warnings and all instructions. Failure to follow the warnings and instructions listed below may result in injury.

- ◆ Read all of this manual carefully before using the appliance.
- ◆ The intended use is described in this manual. The use of any accessory or attachment or the performance of any operation with this appliance other than those recommended in this instruction manual may present a risk of personal injury.
- ◆ Retain this manual for future reference.

Using your appliance

- ◆ Never put descaling, aromatic, alcoholic or detergent products into the speedy roller, as this may damage it or make it unsafe for use.

After use

- ◆ When not in use, the appliance should be stored in a dry place.
- ◆ Children should not have access to stored appliances.

Inspection and repairs

- ◆ Before use, check the appliance for damaged or defective parts. Check for breakage of parts, damage to switches and any other conditions that may affect its operation.
- ◆ Do not use the appliance if any part is damaged or defective.
- ◆ Have any damaged or defective parts repaired or replaced by an authorized repair agent.
- ◆ Never attempt to remove or replace any parts other than those specified in this manual.

Safety of others

- ◆ This appliance is not intended for use by persons (including children) with reduced physical, sensory or mental capabilities, or lack of experience and knowledge, unless they have been given supervision or instruction concerning the use of the appliance by a person responsible for their safety.
- ◆ Children should be supervised to ensure that they do not play with the appliance.

Residual risks.

Additional residual risks may arise when using the tool which may not be included in the enclosed safety warnings. These risks can arise from misuse, prolonged use etc.

Even with the application of the relevant safety regulations and the implementation of safety devices, certain residual risks can not be avoided. These include:

- ◆ Injuries caused by touching any moving parts.
- ◆ Injuries caused when changing any parts or accessories.
- ◆ Injuries caused by prolonged use of the appliance. When using any appliance for prolonged periods ensure you take regular breaks.

Labels on the appliance

The following pictograms are shown on the tool:



Warning! To reduce the risk of injury, the user must read the instruction manual.



Warning! Only use non-flammable liquids.



Warning! Keep bystanders away.



Warning! Wear a dust mask.



Warning! Wear safety glasses.

Features

This appliance includes some or all of the following features.

1. Plunger
2. Trigger
3. Paint reservoir
4. Kick stand
5. Fill valve
6. Head rotation button
7. Roller head
8. Roller
9. Drip tray

Assembly

Attaching the handle (fig. A)

- ◆ Slide the handle (10) into the paint reservoir (3) ensuring that the orange collar (11) meets the handle (3).
- ◆ Thread the orange collar (11) onto the threads of the handle (3) and tighten.

Attaching the roller head (fig. B)

- ◆ Slide the handle assembly (12) into the roller head (7) ensuring that the O-ring (13) is seated inside the roller head (7) and the black collar (14) meets the roller head (7).
- ◆ Thread the black collar (14) onto the threads of the roller head (7) and tighten.

Attaching a roller to the roller head (fig. C)

- ◆ Lubricate the tips (15) at either end of the roller frame (16) using petroleum jelly.
- ◆ Slide the assembled roller (8) onto the roller frame (16).

Note: Make sure the roller assembly snaps into the locking clip on the outer end cap of the roller.

Attaching the drip tray (fig. D)

The drip tray helps reduce spatter and drips when painting, especially on ceilings.

- ◆ Clip the drip tray (9) onto the roller frame (16) so that it fits around the roller (8).
- ◆ Rotate the drip tray to the required position.

Note: The drip tray is also helpful to prevent dripping when the Speedy Roller™ is resting on the kickstand and is not in use. Position the drip tray under the roller.

Use

Filling with paint (fig. E & F)

Note: When using the Speedy Roller™ for the first application, it will take most of the paint in the paint reservoir to saturate the roller cover. A second fill may be needed.

- ◆ Insert the small end of the fill tube (17) through the hole in the bottom side of the paint can clip (18). Push gently until it click into place.
- ◆ Place the paint can clip (18) over the edge of your paint can.

Note: For deeper containers, fit a section of 19mm inner diameter clear tubing over the ribs of the fill tube to extend it and clip to side of pail with fill tube can clip. Cut the bottom end of the tubing at a slight angle. Tubing is available at most DIY stores.

- ◆ Lubricate the top of the fill tube (17) with a small amount of petroleum jelly.
- ◆ Hold the Speedy Roller™ at a 45° angle and place the fill valve (5) over the fill tube (17). Gently push the Speedy Roller™ down so it completely covers the fill tube.

Note: Make sure the orange fill cap cover (19) is completely covered by the shroud of the can clip.

- ◆ Very firmly pull the plunger (1) all the way back to draw paint into Speedy Roller™ ensuring you apply sufficient pressure to maintain an adequate union between the fill valve and fill tube.

- ◆ Lift the Speedy Roller™ slowly off the fill tube.

Note: If you do not receive a complete fill the first time, push the plunger slowly to return paint to can and then pull the back plunger making sure the angle is correct and the orange fill cap cover is fully seated.

Adjusting the angle of the roller head (fig. G & H)

The roller head can be adjusted to three different angles.

- ◆ Press and hold the orange head rotation button (6) on the roller head (7).
- ◆ Rotate the rollerhead (7) to the required angle.

Note: Use straight on for general painting and 40° or 80° angles for hard to reach places or when painting close to ceiling or edging.

Note: The handle (10) can be rotated to make it more comfortable when painting with an angled roller frame. To rotate handle to desired position, loosen collar (11), adjust handle and retighten collar (fig H).

Painting with the Speedy Roller™ (fig. I & J)

- ◆ Begin rolling on wall and push plunger handle (1) or squeeze trigger (2) to feed paint into the roller cover.

Note: Initial saturation of the roller may require the full amount of paint from the first fill. Fill Speedy Roller™ as needed.

Helpful hints

- ◆ The trigger only needs to be squeezed when paint is needed.
- ◆ If you are getting a dot pattern when painting, apply more paint.
- ◆ If the roller is sliding on the surface, apply less paint.
- ◆ You may notice petroleum jelly within the handle. This is necessary and will help in its operation and will not affect the paint.
- ◆ When not in use, rest the Speedy Roller™ on the kickstand (4) with the drip tray (9) attached and positioned under the roller..

Returning excess paint to paint tin (fig. K - M)

- ◆ Place thumb over orange fill cap cover (19).
- ◆ Pull plunger (1) back to draw excess paint from roller frame into tube.
- ◆ Hold the Speedy Roller™ at a 45° angle and place the fill valve (5) over the fill tube (17). Gently push the Speedy Roller™ down so it completely covers the fill tube.

Note: Make sure the orange fill cap cover (19) is completely covered by the shroud of the can clip.

- ◆ Push the plunger all of the way into the tube.
- ◆ Remove the roller (8) by grasping the outer end cap (20) and the roller frame (16) and using your thumb on the opposite hand to push the roller off

Note: Wear disposable gloves or use a plastic bag over roller to keep your hands clean.

- ◆ Scrape any excess paint into the tin from the roller.
- ◆ Remove the inner end cap by inserting the metal tube of the roller frame into the cap about 2-3 centimetres and at an angle.
- ◆ Pull the roller frame gently towards you.
- ◆ Remove the roller core.
- ◆ Empty any remaining paint.
- ◆ Remove the outer cap (20) by inserting the roller frame into the roller and gently pushing the cap off.

Hints for optimum use

- ◆ Only use a perforated Black & DeckerSpeedy Roller™ roller cover (Accessory number : BDPRA09-XJ & BDPRA18-XJ). Standard roller covers will not work.
- ◆ Inspect the roller cover for lint before painting, if needed wash and dry before using.
- ◆ When using the Speedy Roller™ for the first application, it will take most of the paint in the Speedy Roller™ tube to saturate the roller cover. A second fill may be needed.
- ◆ Keep the roller moving while pushing the plunger in or squeezing the trigger to prevent dripping.
- ◆ Stop pushing the plunger in or squeezing trigger if the roller starts to skid, slide or drip.
- ◆ When painting in tight areas partially fill the Speedy Roller™ or pivot the frame. This reduces its overall length.
- ◆ When leaving the Speedy Roller™ unattended for a longer period of time, wrap the roller in a plastic bag to prevent drying, removing as much air as possible from bag.
- ◆ Make sure the type of paint you use can be cleaned with either mineral spirits (for oil-based paints) or a warm water and soap solution (for water soluble paints)
- ◆ Use suitable coverings to protect your floors and anything else in the room that you do not want accidentally splattered with paint.
- ◆ When using the kickstand, always pivot the head to the straight position and release pressure by pulling the plunger out slightly.

Maintenance and cleaning

Cleaning the Speedy Roller™ (fig. O - T)

- ◆ Remove the roller sleeve.
- ◆ Push the fill tube directly into the fill valve. When cleaning water soluble paints, submerge the fill tube into warm, soapy water and pull the plunger in and out 5 or more times. When using oil based paints, instead of water, use proper cleaning solvent listed on manufacturers container and dispose of properly.

Note: Use a sink, a wash tub, or any container that will hold water to perform above flushing process. Replace water when dirty or when moving to the next step.

- ◆ Remove the fill tube. Then submerge the roller frame, and ensuring the fill valve is also under water, pull the plunger in and out 5 or more times (fig. P).

Note: When using a small container, pivot the roller frame to the 80 degree position to fit inside container (fig. Q).

- ◆ Remove roller frame and continue cleaning as needed. Submerge the handle in the warm, soapy water and pull the plunger in and out 5 or more times.

Note: Wipe off remaining paint from the end of plunger (1).

- ◆ Unthread valve cap (19) and remove wiper seal (22) and duck bill valve (21) to clean. Rinse all remaining parts and drain all fluid from the Speedy Roller™ (fig. S).
- ◆ Remove tubing from frame (if needed) by pinching hose clamps. Flush frame and tubing. Replace tubing and secure with hose clamps (24) (fig. T).

Note: Always purchase a perforated Black & DeckerSpeedy Roller™ roller cover (Accessory number : BDPRA09-XJ & BDPRA18-XJ). A standard roller will not work.

Lubricating the Speedy Roller™ (fig. U - X)

Lubrication helps with normal operation and should be done after cleaning and before each use.

- ◆ Turn the threaded assembly collar (11) near the trigger counterclockwise until the main tube assembly slides off.

Note: When reassembling, the orange threaded collar (11) should be towards trigger handle.

- ◆ Apply petroleum jelly around and in between the rubber seals (25). Reassemble making sure the rubber seals are not twisted or damaged. Tighten the locking collar.
- ◆ Apply petroleum jelly to the duck bill valve (21) and wiper seal (22) and replace within unit threading the valve cap (19) back into place.
- ◆ Apply petroleum jelly to the inner seals on the end caps (26) then assemble the roller by placing the core (27) inside of roller cover (28) and attaching end caps and as shown.

Protecting the environment



Separate collection. This product must not be disposed of with normal household waste.

Should you find one day that your Black & Decker product needs replacement, or if it is of no further use to you, do not dispose of it with household waste. Make this product available for separate collection.



Separate collection of used products and packaging allows materials to be recycled and used again. Re-use of recycled materials helps prevent environmental pollution and reduces the demand for raw materials.

Local regulations may provide for separate collection of electrical products from the household, at municipal waste sites or by the retailer when you purchase a new product.

Black & Decker provides a facility for the collection and recycling of Black & Decker products once they have reached the end of their working life. To take advantage of this service please return your product to any authorised repair agent who will collect them on our behalf.

You can check the location of your nearest authorised repair agent by contacting your local Black & Decker office at the address indicated in this manual. Alternatively, a list of authorised Black & Decker repair agents and full details of our after-sales service and contacts are available on the Internet at: www.2helpU.com

Technical data

		BDPR400
Capacity	ml	650
Weight	kg	1.4

Guarantee

Black & Decker is confident of the quality of its products and offers an outstanding guarantee. This guarantee statement is in addition to and in no way prejudices your statutory rights. The guarantee is valid within the territories of the Member States of the European Union and the European Free Trade Area.

If a Black & Decker product becomes defective due to faulty materials, workmanship or lack of conformity, within 24 months from the date of purchase, Black & Decker guarantees to replace defective parts, repair products subjected to fair wear and tear or replace such products to ensure minimum inconvenience to the customer unless:

- ◆ The product has been used for trade, professional or hire purposes;
- ◆ The product has been subjected to misuse or neglect;
- ◆ The product has sustained damage through foreign objects, substances or accidents;
- ◆ Repairs have been attempted by persons other than authorised repair agents or Black & Decker service staff.

To claim on the guarantee, you will need to submit proof of purchase to the seller or an authorised repair agent. You can check the location of your nearest authorised repair agent by contacting your local Black & Decker office at the address indicated in this manual. Alternatively, a list of authorised Black & Decker repair agents and full details of our after-sales service and contacts are available on the Internet at: www.2helpU.com

Please visit our website www.blackanddecker.co.uk to register your new Black & Decker product and to be kept up to date on new products and special offers. Further information on the Black & Decker brand and our range of products is available at www.blackanddecker.co.uk

Bestimmungsgemäße Verwendung

Ihr Black & Decker Speedy Roller™ wurde zum Streichen von Wänden und Decken konstruiert. Dieses Gerät darf nur im Innenbereich verwendet werden und ist nicht für den gewerblichen Einsatz vorgesehen.

Sicherheitshinweise



Achtung! Lesen Sie sämtliche Sicherheitswarnungen und Anweisungen. Die Nichteinhaltung der nachstehend aufgeführten Warnungen und Anweisungen kann Verletzungen verursachen.

- ◆ Lesen Sie diese Anleitung vollständig und aufmerksam durch, bevor Sie das Gerät zum ersten Mal verwenden.
- ◆ Der vorgesehene Verwendungszweck ist in dieser Anleitung beschrieben. Bei Verwendung von Zubehör oder Anbauteilen, die nicht in dieser Anleitung empfohlen werden, sowie bei der Verwendung des Geräts in Abweichung von den in dieser Anleitung beschriebenen Verfahren besteht Verletzungsgefahr.
- ◆ Bewahren Sie diese Anleitung auf.

Verwendung des Geräts

- ◆ Befüllen Sie den Speedy Roller nicht mit Entkalker, alkoholhaltigen Stoffen sowie Duft- oder Reinigungsmitteln, da das Gerät hierdurch beschädigt oder die Gerätesicherheit beeinträchtigt werden kann.

Nach dem Gebrauch

- ◆ Bewahren Sie das Gerät bei Nichtgebrauch an einem trockenen Ort auf.
- ◆ Kinder sollten keinen Zugang zu aufbewahrten Geräten haben.

Inspektion und Reparaturen

- ◆ Prüfen Sie das Gerät vor der Verwendung auf beschädigte oder defekte Teile. Prüfen Sie, ob Teile gebrochen sind, Schalter beschädigt sind oder andere Bedingungen vorliegen, die die Funktion beeinträchtigen könnten.
- ◆ Betreiben Sie das Gerät nicht, wenn ein Teil beschädigt oder defekt ist.
- ◆ Lassen Sie beschädigte oder defekte Teile in einer Werkstatt reparieren oder austauschen.
- ◆ Ersetzen oder entfernen Sie keine Teile, für die in dieser Anleitung keine entsprechende Beschreibung enthalten ist.

Sicherheit anderer Personen

- ◆ Dieses Gerät darf nicht von Personen (einschließlich Kindern) mit eingeschränkten körperlichen, sensorischen oder geistigen Fähigkeiten sowie mangelnder Erfahrung und Kenntnissen bedient werden, es sei denn, sie werden bei der Verwendung des Geräts von einer erfahrenen Person beaufsichtigt oder angeleitet.
- ◆ Kinder müssen beaufsichtigt werden, um sicherzustellen, dass sie nicht mit dem Gerät spielen.

Restrisiken.

Für den Gebrauch dieses Geräts verbleiben zusätzliche Restrisiken, die möglicherweise nicht in den Sicherheitswarnungen genannt werden. Diese Risiken bestehen beispielsweise bei Missbrauch oder längerem Gebrauch.

Auch bei der Einhaltung der entsprechenden Sicherheitsvorschriften und der Verwendung aller Sicherheitsgeräte bestehen weiterhin bestimmte Restrisiken. Diese werden im Folgenden aufgeführt:

- ◆ Verletzungen, die durch das Berühren von sich bewegenden Teilen verursacht werden.
- ◆ Verletzungen, die durch das Austauschen von Teilen oder Zubehör verursacht werden.
- ◆ Verletzungen, die durch längeren Gebrauch des Geräts verursacht werden. Legen Sie bei längerem Gebrauch regelmäßige Pausen ein.

Warnsymbole am Gerät

Am Gerät sind folgende Warnsymbole angebracht:



Achtung! Lesen Sie vor Gebrauch die Anleitung. Andernfalls besteht Verletzungsgefahr.



Achtung! Verwenden Sie ausschließlich nicht entflammbare Flüssigkeiten.



Achtung! Halten Sie andere Personen vom Gefahrenbereich fern.



Achtung! Tragen Sie eine Staubmaske.



Achtung! Tragen Sie eine Schutzbrille.

Merkmale

Dieses Gerät verfügt über einige oder alle der folgenden Merkmale:

1. Stange
2. Griffhebel

3. Farbbehälter
4. Seitenständer
5. Füllventil
6. Kopfdrehtaste
7. Walzenkopf
8. Walze
9. Auffangschale

Montage

Anbringen des Griffs (Abb. A)

- ◆ Schieben Sie den Griff (10) in den Farbbehälter (3), und stellen Sie sicher, dass der orangefarbene Ring (11) an den Griff anschließt (3).
- ◆ Schrauben Sie den orangefarbenen Ring (11) auf den Griff (3), und ziehen Sie ihn fest.

Anbringen des Walzenkopfs (Abb. B)

- ◆ Schieben Sie den Griff (12) in den Walzenkopf (7), und stellen Sie sicher, dass sich der O-Ring (13) im Walzenkopf (7) befindet und der schwarze Ring (14) an den Walzenkopf (7) anschließt.
- ◆ Schrauben Sie den schwarzen Ring (14) auf den Walzenkopf (7), und ziehen Sie ihn fest.

Anbringen einer Walze auf dem Walzenkopf (Abb. C)

- ◆ Schmieren Sie die Spitzen (15) an den Enden des Walzenrahmens (16) mit Vaseline.
- ◆ Schieben Sie die zusammengebaute Walze (8) auf den Walzenrahmen (16).

Hinweis: Stellen Sie sicher, dass die Walze in der Verriegelung am äußeren Walzenendstück einrastet.

Anbringen der Auffangschale (Abb. D)

Die Auffangschale verhindert ein Verspritzen und Tropfen der Farbe während des Streichens, insbesondere bei Deckenanstreichen.

- ◆ Befestigen Sie die Auffangschale (9) auf dem Walzenrahmen (16), sodass sie die Walze (8) umschließt.
- ◆ Drehen Sie die Auffangschale in die gewünschte Position.

Hinweis: Die Auffangschale ist außerdem hilfreich, um ein Tropfen zu verhindern, wenn der Speedy Roller™ auf dem Seitenständer steht und nicht verwendet wird. Positionieren Sie die Auffangschale unter der Walze.

Gebrauch

Einfüllen der Farbe (Abb. E und F)

Hinweis: Wenn Sie den Speedy Roller™ zum ersten Mal verwenden, wird fast die gesamte Farbe im Farbbehälter aufgebraucht, um den Walzenbezug zu sättigen. Möglicherweise ist eine zweite Füllung erforderlich.

- ◆ Führen Sie das schmale Ende des Füllschlauchs (17) durch das Loch an der Unterseite des Farbbehälterclips (18). Drücken Sie vorsichtig, bis er einrastet.
- ◆ Befestigen Sie den Farbbehälterclip (18) an der Kante des Farbbehälters.

Hinweis: Stecken Sie bei tieferen Behältern einen durchsichtigen Schlauch mit 19 mm Innendurchmesser über die Rippen des Füllschlauchs, um diesen zu verlängern, und befestigen Sie ihn mit dem Behälterclip für den Füllschlauch seitlich am Eimer. Schneiden das untere Ende des Schlauchs in einem leichten Winkel ab. Geeignete Schläuche erhalten Sie in den meisten Baumärkten.

- ◆ Schmieren Sie den oberen Teil des Füllschlauchs (17) mit etwas Vaseline.
- ◆ Halten Sie den Speedy Roller™ in einem Winkel von 45°, und stecken Sie das Füllventil (5) über den Füllschlauch (17). Drücken Sie den Speedy Roller™ vorsichtig nach unten, sodass der Füllschlauch vollständig bedeckt ist.

Hinweis: Stellen Sie sicher, dass die orangefarbene Fülldeckelabdeckung (19) vollständig vom Kragen des Behälterclips verdeckt wird.

- ◆ Ziehen Sie die Stange (1) mit viel Kraft vollständig zurück, um Farbe in den Speedy Roller™ zu ziehen und sicherzustellen, dass genügend Druck vorhanden ist, um eine ordnungsgemäße Verbindung zwischen Füllventil und Füllschlauch zu gewährleisten.
- ◆ Ziehen Sie den Speedy Roller™ langsam vom Füllschlauch.

Hinweis: Wenn der Füllvorgang beim ersten Versuch nicht vollständig gelingt, drücken Sie die Farbe mit der Stange langsam wieder in den Behälter, und ziehen Sie die Stange wieder zurück. Achten Sie dabei auf den richtigen Winkel und dass die orangefarbene Fülldeckelabdeckung vollständig aufsitzt.

Einstellen des Walzenkopfwinkels (Abb. G und H)

Der Walzenkopf kann in drei verschiedenen Winkeln eingestellt werden.

- ◆ Halten Sie die orangefarbene Kopfdrehtaste (6) auf dem Walzenkopf (7) gedrückt.
- ◆ Drehen Sie den Walzenkopf (7) auf den gewünschten Winkel.

Hinweis: Verwenden Sie die gerade Einstellung für normale Anstriche und einen Winkel von 40° oder 80° für schwer erreichbare Orte oder bei Anstrichen nahe der Decke oder an Kanten.

Hinweis: Der Griff (10) kann gedreht werden, um das Streichen mit einem angewinkelten Walzenrahmen weiter zu erleichtern. Um den Griff in die gewünschte Position zu drehen, lockern Sie den Ring (11), stellen Sie den Griff ein, und ziehen Sie den Ring wieder an (Abb. H).

Streichen mit dem Speedy Roller™ (Abb. I und J)

- ◆ Rollen Sie die Walze über die Wand, und drücken Sie den Stangengriff (1) oder den Griffhebel (2), um den Walzenbezug mit Farbe zu versorgen.

Hinweis: Die erste Sättigung der Walze erfordert möglicherweise die gesamte Farbe aus der ersten Füllung. Füllen Sie den Speedy Roller™ bei Bedarf nach.

Hilfreiche Hinweise

- ◆ Der Griffhebel sollte nur gedrückt werden, wenn Farbe benötigt wird.
- ◆ Wenn Sie beim Streichen keine einheitliche Fläche entsteht, ist mehr Farbe erforderlich.
- ◆ Tragen Sie weniger Farbe auf, wenn die Walze über die Oberfläche rutscht.
- ◆ Möglicherweise befindet sich Vaseline im Griff. Dies ist für einen reibungslosen Betrieb notwendig und beeinträchtigt nicht die Farbe.
- ◆ Wenn Sie den Speedy Roller™ nicht verwenden, stellen Sie ihn mit befestigter und unter der Walze platzierter Auffangschale (9) auf dem Seitenständer (4) ab.

Zurückgießen überschüssiger Farbe in den Farbbehälter (Abb. K bis M)

- ◆ Platzieren Sie den Daumen über der orangefarbenen Fülldeckelabdeckung (19).
- ◆ Ziehen Sie die Stange (1) zurück, um überschüssige Farbe aus dem Walzenrahmen in den Schlauch zu ziehen.
- ◆ Halten Sie den Speedy Roller™ in einem Winkel von 45°, und stecken Sie das Füllventil (5) über den Füllschlauch (17). Drücken Sie den Speedy Roller™ vorsichtig nach unten, sodass der Füllschlauch vollständig bedeckt ist.

Hinweis: Stellen Sie sicher, dass die orangefarbene Fülldeckelabdeckung (19) vollständig vom Kragen des Behälterclips verdeckt wird.

- ◆ Drücken Sie die Stange vollständig in den Schlauch.
- ◆ Entfernen Sie die Walze (8), indem Sie das äußere Endstück (20) und den Walzenrahmen (16) anfassen und die Walze mit dem Daumen der anderen Hand von der Halterung drücken.

Hinweis: Tragen Sie Wegwerfhandschuhe, oder ziehen Sie eine Plastiktüte über die Walze, um Ihre Hände sauber zu halten.

- ◆ Kratzen Sie überschüssige Farbe von der Walze in den Behälter.
- ◆ Entfernen Sie das innere Endstück, indem Sie den Metallschlauch des Walzenrahmens etwa 2 bis 3 Zentimeter schräg in die Kappe einführen.
- ◆ Ziehen Sie den Walzenrahmen vorsichtig in Ihre Richtung.
- ◆ Entfernen Sie den Walzenkern.
- ◆ Leeren Sie die restliche Flüssigkeit.

- ◆ Entfernen Sie die äußere Kappe (20), indem Sie den Walzenrahmen in die Walze einführen, und die Kappe vorsichtig drücken.

Hinweise für optimale Arbeitsergebnisse

- ◆ Verwenden Sie ausschließlich perforierte Black & Decker Speedy Roller™-Walzenbezüge (Zubehörnummer: BDPRA09-XJ & BDPRA18-XJ). Verwenden Sie keine Standard-Walzenbezüge.
- ◆ Überprüfen Sie den Walzenbezug vor dem Streichen, möglicherweise sollte er vor der Verwendung gewaschen und getrocknet werden.
- ◆ Wenn Sie den Speedy Roller™ zum ersten Mal verwenden, wird fast die gesamte Farbe im Schlauch des Speedy Roller™ benötigt, um den Walzenbezug zu sättigen. Möglicherweise ist eine zweite Füllung erforderlich.
- ◆ Halten Sie die Walze in Bewegung, während Sie die Stange oder den Griffhebel drücken, um ein Tropfen zu verhindern.
- ◆ Drücken Sie Stange oder Griffhebel nicht mehr, wenn die Walze rutscht, gleitet oder tropft.
- ◆ Füllen Sie beim Streichen von kleinen Bereichen den Speedy Roller™ nur teilweise, oder schwenken Sie den Rahmen. Hierdurch kann seine Gesamtlänge verringert werden.
- ◆ Wenn Sie den Speedy Roller™ längere Zeit nicht verwenden, hüllen Sie die Walze in eine Plastiktüte, und entlüften Sie die Tüte so gut wie möglich, um ein Austrocknen zu verhindern.
- ◆ Stellen Sie sicher, dass die verwendete Farbe mit Reinigungsbenzin (für ölbasierte Farben) oder warmem Wasser und Seife (für wasserlösliche Farben) entfernt werden kann.
- ◆ Verwenden Sie geeignete Abdeckplanen, um Fußböden oder andere Objekte im Raum vor unabsichtlich verspritzter Farbe zu schützen.
- ◆ Wenn Sie den Seitenständer verwenden, schwenken Sie den Kopf immer in die gerade Position, und verringern Sie den Druck, indem Sie die Stange etwas ausziehen.

Pflege und Reinigung**Reinigen des Speedy Roller™ (Abb. O bis T)**

- ◆ Entfernen Sie den Walzenbezug.
- ◆ Drücken Sie den Füllschlauch direkt in das Füllventil. Tauchen Sie den Füllschlauch zum Entfernen von wasserlöslichen Farben in warmes Seifenwasser, und ziehen Sie die Stange mindestens fünfmal ein- und aus. Verwenden Sie für ölbasierte Farben anstelle von Wasser eine geeignete Reinigungslösung, wie vom Hersteller auf dem Behälter angegeben, und entsorgen Sie diese ordnungsgemäß.

Hinweis: Verwenden Sie bei der oben beschriebene Reinigung ein geeignetes Waschbecken, eine Badewanne oder einen Behälter für das Wasser. Ersetzen Sie das Wasser, wenn es verschmutzt ist, oder wenn Sie zum nächsten Schritt wechseln.

- ◆ Entfernen Sie den Füllschlauch. Tauchen Sie dann den Walzenrahmen ein, stellen Sie sicher, dass sich das Füllventil ebenfalls unter Wasser befindet, und ziehen Sie die Stange mindestens fünfmal ein- und aus (Abb. P).

Hinweis: Wenn Sie einen kleinen Behälter verwenden, schwenken Sie die Walze auf die 80-Grad-Position, sodass sie in den Behälter passt (Abb. Q).

- ◆ Entfernen Sie den Walzenrahmen, und fahren Sie ggf. mit der Reinigung fort. Tauchen Sie den Griff in warmes Seifenwasser, und ziehen Sie die Stange mindestens fünfmal ein- und aus.

Hinweis: Wischen Sie restliche Farbe vom Ende der Stange (1) ab.

- ◆ Schrauben Sie die Ventilkappe (19) ab, entfernen Sie die Wischerdichtung (22) und das Entenschnabelventil (21), und säubern Sie diese. Spülen Sie die übrigen Teile, und lassen Sie die sämtliche Flüssigkeit aus dem Speedy Roller™ ab (Abb. S).
- ◆ Entfernen Sie den Schlauch durch Drücken der Schlauchklemmen vom Rahmen (falls erforderlich). Spülen Sie Rahmen und Schlauch. Setzen Sie den Schlauch wieder ein, und befestigen Sie ihn mit den Schlauchklemmen (24) (Abb. T).

Hinweis: Verwenden Sie ausschließlich perforierte Black & Decker Speedy Roller™-Walzenbezüge (Zubehörnummer: BDPRA09-XJ & BDPRA18-XJ). Verwenden Sie keine Standard-Walzenbezüge.

Schmieren des Speedy Roller™ (Abb. U bis X)

Die Schmierung unterstützt den Normalbetrieb und sollte nach der Reinigung und vor jeder Verwendung durchgeführt werden.

- ◆ Drehen Sie den Gewinding (11) in der Nähe des Griffhebels gegen den Uhrzeigersinn, bis der Hauptschlauch abgezogen werden kann.

Hinweis: Beim Wiederzusammenbau sollte der orangefarbene Gewinding (11) in Richtung Griffhebel zeigen.

- ◆ Schmieren Sie Vaseline auf und zwischen die Gummidichtungen (25). Achten Sie beim Wiederzusammenbau darauf, dass die Gummidichtungen nicht geknickt oder beschädigt werden. Ziehen Sie den Verriegelungsring fest.
- ◆ Schmieren Sie Vaseline auf das Entenschnabelventil (21) und die Wischerdichtung (22), setzen Sie sie wieder ein, und schrauben Sie die Ventilkappe (19) wieder zu.

- ◆ Schmieren Sie Vaseline auf die inneren Dichtungen der Endkappen (26), und bauen Sie die Walze wieder zusammen, indem Sie den Walzenkern (27) wieder im Walzenbezug (28) platzieren, und die Endkappen wie in der Abbildung dargestellt befestigen.

Umweltschutz



Getrennte Entsorgung. Dieses Produkt darf keinesfalls mit dem Hausmüll entsorgt werden.

Sollten Sie Ihr Black & Decker Produkt eines Tages ersetzen oder nicht mehr benötigen, entsorgen Sie es nicht mit dem Hausmüll. Führen Sie das Produkt einer getrennten Sammlung zu.



Durch die getrennte Sammlung von ausgedienten Produkten und Verpackungsmaterialien können Rohstoffe recycelt und wiederverwendet werden. Die Wiederverwendung aufbereiteter Materialien trägt zur Vermeidung der Umweltverschmutzung bei und senkt den Rohstoffbedarf.

Die Verordnung zur Abfallentsorgung Ihrer Gemeinde sieht möglicherweise vor, dass Elektrogeräte getrennt vom Hausmüll gesammelt, an der örtlichen Abfallentsorgungseinrichtung abgegeben oder beim Kauf eines neuen Produkts vom Fachhandel zur Entsorgung angenommen werden müssen.

Black & Decker nimmt Ihre ausgedienten Black & Decker Geräte gern zurück und sorgt für eine umweltfreundliche Entsorgung bzw. Wiederverwertung. Um diese Dienstleistung in Anspruch zu nehmen, geben Sie das Gerät bitte bei einer autorisierten Reparaturwerkstatt ab, die für uns die Einsammlung übernimmt.

Die Adresse der zuständigen Niederlassung von Black & Decker steht in dieser Anleitung. Dort teilt man Ihnen gerne die nächstgelegene Vertragswerkstatt mit. Eine Liste der Vertragswerkstätten und aller Kundendienststellen von Black & Decker sowie der zuständigen Ansprechpartner finden Sie auch im Internet unter: www.2helpU.com

Technische Daten

		BDPR400
Kapazität	ml	650
Gewicht	kg	1,4

Garantie

Black & Decker vertraut auf die Qualität der eigenen Geräte und bietet dem Käufer eine außergewöhnliche Garantie. Diese Garantiezusage versteht sich unbeschadet der gesetzlichen Gewährleistungsansprüche und schränkt diese keinesfalls ein. Sie gilt in sämtlichen Mitgliedstaaten der Europäischen Union und der Europäischen Freihandelszone EFTA.

Tritt innerhalb von 24 Monaten ab Kaufdatum an einem Gerät von Black & Decker ein auf Material- oder Verarbeitungsfehler zurückzuführender Mangel auf, garantiert Black & Decker den Austausch defekter Teile, die Reparatur von Geräten mit üblichem Verschleiß bzw. den Austausch eines mangelhaften Gerätes, ohne den Kunden dabei mehr als unbedingt nötig in Anspruch zu nehmen, allerdings vorbehaltlich folgender Ausnahmen:

- ◆ wenn das Gerät gewerblich, beruflich oder im Verleihegeschäft benutzt wurde;
- ◆ wenn das Gerät missbräuchlich verwendet oder mit mangelnder Sorgfalt behandelt wurde;
- ◆ wenn das Gerät durch irgendwelche Fremdeinwirkung beschädigt wurde;
- ◆ wenn ein unbefugter Reparaturversuch durch anderes Personal als das einer Vertragswerkstatt oder des Black & Decker Kundendienstes unternommen wurde.

Zur Inanspruchnahme dieser Garantie ist dem Verkäufer bzw. der Vertragswerkstatt ein Kaufnachweis vorzulegen. Die Adresse der zuständigen Niederlassung von Black & Decker steht in dieser Anleitung. Dort teilt man Ihnen gerne die nächstgelegene Vertragswerkstatt mit. Eine Liste der Vertragswerkstätten und aller Kundendienststellen von Black & Decker sowie der zuständigen Ansprechpartner finden Sie auch im Internet unter: www.2helpU.com

Bitte besuchen Sie unsere Website www.blackanddecker.de, um Ihr neues Black & Decker Produkt zu registrieren. Dort erhalten Sie auch Informationen über neue Produkte und Sonderangebote. Weitere Informationen über die Marke Black & Decker und unsere Produkte finden Sie unter www.blackanddecker.de.

Utilisation

Votre Speedy Roller™ de Black & Decker a été conçu pour peindre les murs et les plafonds. Il est destiné à une utilisation à l'intérieur et exclusivement domestique.

Consignes de sécurité



Attention ! Lisez avec attention tous les avertissements et toutes les instructions. Le non-respect de cette consigne peut entraîner des blessures.

- ◆ Lisez attentivement le manuel complet avant d'utiliser l'appareil.
- ◆ Ce manuel décrit la manière d'utiliser cet outil. L'utilisation d'un accessoire ou d'une fixation, ou bien l'utilisation de cet appareil à d'autres fins que celles recommandées dans ce manuel d'instruction peut présenter un risque de blessures.
- ◆ Gardez ce manuel pour référence ultérieure.

Utilisation de votre appareil

- ◆ Ne jamais utiliser de détartrant, de produit parfumé, d'alcool ou de détergents dans le rouleau, ceci aurait pour effet de l'endommager, voire même d'être dangereux.

Après l'utilisation

- ◆ Quand il n'est pas utilisé, l'appareil doit être rangé dans un endroit sec.
- ◆ Les enfants ne doivent pas avoir accès aux appareils rangés.

Vérification et réparations

- ◆ Avant l'utilisation, vérifiez l'état de l'appareil ou des pièces. Recherchez des pièces cassées, des boutons endommagés et d'autres anomalies susceptibles de nuire au bon fonctionnement de l'appareil.
- ◆ N'utilisez pas l'appareil si une pièce est endommagée ou défectueuse.
- ◆ Faites réparer ou remplacer les pièces défectueuses ou endommagées par un réparateur agréé.
- ◆ Ne tentez jamais de retirer ou de remplacer des pièces autres que celles citées dans ce manuel.

Sécurité des personnes

- ◆ Cet appareil ne doit pas être utilisé par des personnes (y compris les enfants) ayant des déficiences physiques, mentales ou sensorielles. Cette consigne s'applique aussi aux personnes manquant d'expérience et de connaissance du matériel, à moins que celles-ci n'aient reçu les instructions appropriées ou qu'elles ne soient encadrées par une personne responsable de leur sécurité pour utiliser l'appareil.

- ◆ Ne laissez jamais les enfants sans surveillance pour éviter qu'ils ne jouent avec cet outil.

Risques résiduels.

L'utilisation d'un outil non mentionné dans les consignes de sécurité données peut entraîner des risques résiduels supplémentaires. Ces risques peuvent survenir si l'outil est mal utilisé, si l'utilisation est prolongée, etc.

Malgré l'application des normes de sécurité requises et la présence de dispositifs de sécurité, certains risques résiduels ne peuvent être évités. Notamment :

- ◆ Les blessures dues au contact avec une pièce mobile.
- ◆ Les blessures survenues en changeant des pièces ou des accessoires.
- ◆ Les blessures dues à l'utilisation prolongée de l'appareil. Une utilisation prolongée de l'appareil nécessite des pauses régulières.

Étiquettes sur l'appareil

Les pictogrammes ci-dessous se trouvent sur l'appareil :



Attention ! Pour réduire le risque de blessures, l'utilisateur doit lire le manuel d'instructions.



Attention ! N'utilisez que des liquides non-inflammables.



Attention ! Ne laissez personne s'approcher.



Attention ! Portez un masque anti-poussières.



Attention ! Portez des lunettes de sécurité.

Caractéristiques

Cet appareil comprend certains, ou tous, les éléments suivants :

1. Embout plongeur
2. Déclencheur
3. Réservoir de peinture
4. Support
5. Goulot de remplissage
6. Bouton de rotation
7. Embout du rouleau
8. Rouleau
9. Récipient d'égouttage

Assemblage

Fixation du manche (figure A)

- ◆ Glissez le manche (10) dans le réservoir de peinture (3) en s'assurant que le collier orange (11) est correctement adapté sur le manche (3).
- ◆ Vissez le collier orange (11) sur le manche (3), et serrez.

Fixation de l'embout du rouleau (figure B)

- ◆ Glissez l'ensemble du manche (12) dans l'embout du rouleau (7) en s'assurant que le joint (13) est installé à l'intérieur de l'embout du rouleau (7) et que le collier noir (14) se trouve sur l'embout du rouleau (7).
- ◆ Vissez le collier noir (14) sur l'embout du rouleau (7), et serrez.

Fixation d'un rouleau sur l'embout du rouleau (figure C)

- ◆ Graissez les extrémités (15) à chaque bout de la base du rouleau (16) avec de la vaseline.
- ◆ Glissez le rouleau assemblé (8) sur la base du rouleau (16).

Remarque : Le rouleau doit s'enclencher dans le clip de blocage sur le cache à l'extrémité extérieure du rouleau.

Fixation du récipient d'égouttage (figure D)

Le récipient d'égouttage permet de réduire les gouttes et les éclaboussures en peignant surtout les plafonds.

- ◆ Fixez le récipient d'égouttage (9) sur la base du rouleau (16) afin qu'il s'adapte autour du rouleau (8).
- ◆ Tournez le récipient d'égouttage à la position requise.

Remarque : Le récipient d'égouttage permet aussi d'éviter les gouttes quand le Speedy Roller™ est posé sur le support et n'est pas utilisé. Placez le récipient d'égouttage sous le rouleau.

Utilisation

Remplissage de peinture (figures E et F)

Remarque : À la première application avec le Speedy Roller™, une majeure partie de la peinture du réservoir est transvasée dans le couvercle du rouleau. Un second remplissage peut s'avérer nécessaire.

- ◆ Insérez la petite extrémité du tube de remplissage (17) dans le trou en bas du clip du récipient de peinture (18). Poussez sans forcer jusqu'à ce qu'il s'enclenche.
- ◆ Placez le clip du récipient de peinture (18) sur le bord de votre récipient.

Remarque : Pour les récipients plus profonds, adaptez un morceau de tuyau transparent de 19 mm de diamètre à l'intérieur sur les nervures du tube de remplissage afin de l'allonger et de l'enclencher sur le côté du seau avec le clip du tuyau de remplissage. Coupez l'extrémité en bas du tube en angle. Le tube est disponible dans la plupart des magasins de bricolage.

- ◆ Graissez le dessus du tube de remplissage (17) avec une petite quantité de vaseline.
- ◆ Maintenez le Speedy Roller™ à un angle de 45° et placez le goulot de remplissage (5) sur le tube de remplissage (17). Poussez sans forcer le Speedy Roller™ vers le bas afin qu'il couvre entièrement le tube de remplissage.

Remarque : Assurez-vous que le cache de remplissage orange (19) est recouvert par l'enveloppe du clip du récipient.

- ◆ Poussez l'embout plongeur (1) au maximum pour que la peinture passe dans le Speedy Roller™, en vous assurant que la pression est suffisante pour que le tube et le goulot de remplissage soient correctement assemblés.
- ◆ Sortez lentement le Speedy Roller™ hors du tube de remplissage.

Remarque : Si le remplissage n'est pas satisfaisant la première fois, poussez l'embout plongeur légèrement pour renvoyer la peinture vers le récipient, puis tirez l'embout plongeur afin que l'angle soit correct et que le cache de remplissage orange soit correctement installé.

Réglage de l'angle de l'embout du rouleau (figures G et H)

Il y a trois angles différents pour ajuster l'embout du rouleau.

- ◆ Appuyez de manière prolongée sur le bouton de rotation orange (6) de l'embout du rouleau (7).
- ◆ Tournez l'embout du rouleau pour atteindre l'angle requis.

Remarque : Utilisez en position droite pour les travaux de peinture ordinaires et en position d'angle à 40° ou 80° pour les zones difficiles d'accès ou proches du plafond ou des bordures.

Remarque : Pour une utilisation en angle plus pratique de la base de rouleau, le manche (10) peut être tourné. Pour tourner le manche à la position désirée, desserrez le collier (11), ajustez le manche et resserrez le collier (figure H).

Peindre avec le Speedy Roller™ (figures I et J)

- ◆ Commencez par passer le rouleau sur le mur, puis poussez le manche de l'embout plongeur (1) ou appuyez sur le déclencheur (2) pour transférer la peinture dans le couvercle du rouleau.

Remarque : La saturation initiale du rouleau peut nécessiter la quantité totale de peinture au premier remplissage. Remplissez le Speedy Roller™, comme nécessaire.

Conseils pratiques

- ◆ N'actionnez le déclencheur que quand la peinture est nécessaire.
- ◆ Si la peinture n'est pas uniforme, appliquez plus de peinture.
- ◆ Si le rouleau est glissant sur la surface, appliquez moins de peinture.
- ◆ La vaseline à l'intérieur du manche est nécessaire. Elle facilite l'utilisation et n'endommage pas la peinture.
- ◆ Quand il n'est pas utilisé, posez le Speedy Roller™ sur le support (4) avec le récipient d'égouttage (9) fixé et installé sous le rouleau.

Retour de l'excès de peinture dans le pot de peinture (figures K – M)

- ◆ Placez le pouce sur le cache de remplissage orange (19).
- ◆ Tirez l'embout plongeur (1) vers l'arrière pour éliminer l'excès de peinture de la base du rouleau dans le tube.
- ◆ Maintenez le Speedy Roller™ à un angle de 45° et placez le goulot de remplissage (5) sur le tube de remplissage (17). Poussez sans forcer le Speedy Roller™ vers le bas afin qu'il couvre entièrement le tube de remplissage.

Remarque : Assurez-vous que le cache de remplissage orange (19) est recouvert par l'enveloppe du clip du récipient.

- ◆ Poussez l'embout plongeur au maximum dans le tube.
- ◆ Retirez le rouleau (8) en attrapant le cache d'extrémité extérieur (20) et la base du rouleau (16) et en utilisant le pouce de la main opposée pour sortir le rouleau

Remarque : Portez des gants jetables ou utilisez un sac plastique sur le rouleau pour garder les mains propres.

- ◆ Retirez l'excès de peinture du rouleau dans le pot.
- ◆ Retirez le cache d'extrémité intérieur en insérant le tube en métal de la base du rouleau dans le cache sur environ 2 à 3 centimètres et sur un angle.
- ◆ Tirez légèrement la base du rouleau vers vous.
- ◆ Retirez l'ensemble du rouleau.
- ◆ Videz la peinture restante.
- ◆ Retirez le cache extérieur (20) en insérant la base du rouleau dans le rouleau et sortez le cache sans forcer.

Conseils pour une utilisation optimale

- ◆ N'utilisez qu'un couvercle de rouleau perforé Speedy Roller™ Black & Decker (Réf. accessoires : BDPRA09-XJ & BDPRA18-XJ). Les couvercles de rouleau standards ne sont pas compatibles.
- ◆ Si présentes, éliminez les peluches sur le couvercle du rouleau avant de peindre. Si nécessaire, lavez et séchez avant l'utilisation.
- ◆ À la première application avec le Speedy Roller™, une majeure partie de la peinture dans le tube Speedy Roller™ est transvasée dans le couvercle du rouleau. Un second remplissage peut s'avérer nécessaire.

- ◆ Continuez le déplacement du rouleau en poussant l'embout plongeur ou en appuyant sur le déclencheur pour éviter l'égouttage.
- ◆ Arrêtez de pousser l'embout plongeur ou d'appuyez sur le déclencheur si le rouleau commence à déraiper, glisser ou couler.
- ◆ Dans les zones étroites, remplissez partiellement le Speedy Roller™ ou faites pivoter la base. La longueur totale est ainsi réduite.
- ◆ Si le Speedy Roller™ n'est pas utilisé sur une longue période, enroulez le rouleau dans un sac plastic pour éviter qu'il ne sèche. Éliminez le plus possible l'air du sac.
- ◆ Assurez-vous que la peinture utilisée peut être nettoyée avec des essences minérales ou des diluants (pour les peintures à l'huile) ou avec un mélange d'eau chaude et de savon (pour les peintures solubles l'eau comme les peintures au latex)
- ◆ Utilisez des chiffons pour protéger les sols et les endroits que vous ne voulez pas éclabousser.
- ◆ Avec le support, faites toujours pivoter l'embout en position droite et relâchez la pression en appuyant légèrement sur l'embout plongeur.

Nettoyage et entretien

Nettoyage du Speedy Roller™ (figures O - T)

- ◆ Retirez le manchon du rouleau.
- ◆ Poussez le tube de remplissage directement dans le goulot de remplissage. Pour nettoyer les peintures à l'eau, immergez le tube de remplissage dans l'eau savonneuse chaude et tirez/poussez l'embout plongeur 5 fois ou plus. Pour les peintures à l'huile, au lieu de l'eau, utilisez les solvants de nettoyage propres listés sur le récipient des fabricants et jetez en respectant les consignes de mise au rebut.

Remarque : Utilisez un évier, un tube de lavage, ou un récipient qui peut contenir de l'eau afin de faire le rinçage ci-dessus. Remplacez l'eau quand elle est sale ou pour passer à l'étape suivante.

- ◆ Retirez le tube de remplissage. Puis immergez la base du rouleau en s'assurant que le goulot de remplissage est aussi sous l'eau, tirez/poussez l'embout plongeur 5 fois ou plus (figure P).

Remarque : Avec un petit récipient, faites pivoter la base du rouleau à 80° pour qu'il entre dans le récipient (figure Q).

- ◆ Retirez la base du rouleau et continuez le nettoyage, le cas échéant. Immergez le manche dans de l'eau savonneuse chaude et tirez/poussez 5 fois ou plus.

Remarque : Nettoyez la peinture restante de l'extrémité de l'embout plongeur (1).

- ◆ Dévissez le cache (19) et retirez le joint (22) et le clapet à bille (21) pour le nettoyage. Rincez toutes les pièces restantes et évacuez le liquide du Speedy Roller™ (figure S).
- ◆ Retirez le tube de la base (le cas échéant) en appuyant sur les pinces du tuyau. Rincez la base et le tuyau. Remplacez le tuyau et accrochez les pinces (24) (figure T).

Remarque : N'utilisez qu'un couvercle de rouleau perforé Speedy Roller™ Black & Decker (réf. accessoires : BDPRA09-XJ & BDPRA18-XJ). Les rouleaux standards ne sont pas compatibles.

Lubrification du Speedy Roller™ (figures U - X)

La lubrification permet un fonctionnement normal et doit être fait après le nettoyage et avant chaque utilisation.

- ◆ Tournez le collier fileté (11) à côté du déclencheur dans le sens inverse des aiguilles d'une montre jusqu'à ce que le tuyau principal sorte.

Remarque : Le collier fileté orange (11) doit être remonté vers le manche du déclencheur.

- ◆ Appliquez de la vaseline sur les parties autour et à l'intérieur entre les joints en caoutchouc (25). Remontez en s'assurant que les joints en caoutchouc ne sont pas vrillés ou endommagés. Serrez le collier de blocage.
- ◆ Appliquez de la vaseline sur le clapet à bille (21) et le joint (22), puis replacez le tout en serrant le cache (19) en place.
- ◆ Appliquez la vaseline sur les joints intérieurs sur les caches d'extrémité (26), puis assemblez le rouleau en plaçant l'ensemble (27) dans le couvercle du rouleau (28) et en attachant les caches d'extrémité comme indiqué.

Protection de l'environnement



Recyclage. Cet appareil ne doit pas être jeté avec les déchets ménagers.

Si votre appareil/outil Black & Decker doit être remplacé ou si vous ne l'utilisez plus, ne le jetez pas avec les ordures ménagères. Songez à la protection de l'environnement et recyclez-le.



La collecte séparée des produits et des emballages usagés permet de recycler et de réutiliser des matériaux. La réutilisation de matériaux recyclés évite la pollution de l'environnement et réduit la demande de matières premières.

Des réglementations locales peuvent stipuler la collecte séparée des produits électriques et des produits ménagers, dans des déchetteries municipales ou par le revendeur lorsque vous achetez un nouveau produit.

Black & Decker offre une solution permettant de recycler les produits Black & Decker lorsqu'ils ont atteint la fin de leur cycle de vie. Pour pouvoir profiter de ce service, veuillez retourner votre produit à un réparateur agréé qui se chargera de le collecter pour nous.

Pour connaître l'adresse du réparateur agréé le plus proche de chez vous, contactez le bureau Black & Decker à l'adresse indiquée dans ce manuel. Vous pourrez aussi trouver une liste de réparateurs agréés Black & Decker et de plus amples détails sur notre service après-vente sur le site Internet à l'adresse suivante : www.2helpU.com

Caractéristiques techniques

		BDPR400
Capacité	ml	650
Poids	kg	1,4

Garantie

Black & Decker assure la qualité de ses produits et vous offre une garantie très élargie. Ce certificat de garantie est un document supplémentaire et ne peut en aucun cas se substituer à vos droits légaux. La garantie est valable sur tout le territoire des États Membres de l'Union Européenne et de la Zone de Libre Échange Européenne.

Si un produit Black & Decker s'avère défectueux en raison de matériaux en mauvaises conditions, d'une erreur humaine, ou d'un manque de conformité dans les 24 mois suivant la date d'achat, Black & Decker garantit le remplacement des pièces défectueuses, la réparation des produits usés ou cassés ou remplace ces produits à la convenance du client, sauf dans les circonstances suivantes :

- ◆ Le produit a été utilisé dans un but commercial, professionnel, ou a été loué;
- ◆ Le produit a été mal utilisé ou utilisé avec négligence;
- ◆ Le produit a subi des dommages à cause d'objets étrangers, de substances ou à cause d'accidents;
- ◆ Des réparations ont été tentées par des techniciens ne faisant pas partie du service technique de Black & Decker.

Pour avoir recours à la garantie, il est nécessaire de fournir une preuve d'achat au vendeur ou à un réparateur agréé.

Pour connaître l'adresse du réparateur agréé le plus proche de chez vous, contactez le bureau Black & Decker à l'adresse indiquée dans ce manuel. Vous pourrez aussi trouver une liste de réparateurs agréés Black & Decker et de plus amples détails sur notre service après-vente sur le site Internet à l'adresse suivante : www.2helpU.com

Visitez notre site Web www.blackanddecker.fr pour enregistrer votre nouveau produit Black & Decker et être informé des nouveaux produits et des offres spéciales. Pour plus d'informations concernant la marque Black & Decker et notre gamme de produits, consultez notre site www.blackanddecker.fr

Uso previsto

Lo Speedy Roller™ Black & Decker è stato progettato per applicare la pittura su pareti e soffitti. L'elettrotensile è stato progettato solo per uso domestico e all'interno.

Istruzioni di sicurezza



Attenzione! Leggere tutti gli avvisi di sicurezza e tutte le istruzioni. La mancata osservazione dei presenti avvisi e istruzioni potrebbe causare lesioni.

- ◆ Leggere attentamente il presente manuale prima di usare l'elettrotensile.
- ◆ L'uso previsto è descritto nel presente manuale. Se questo elettrotensile viene usato con accessori o per usi diversi da quelli raccomandati nel presente manuale d'uso, si potrebbero verificare lesioni personali.
- ◆ Conservare il presente manuale per futura consultazione.

Utilizzo dell'elettrotensile

- ◆ Non versare mai prodotti anticalcare, aromatici, alcolici o detersivi nello Speedy Roller per non danneggiarlo o renderne poco sicuro l'impiego.

Dopo l'impiego

- ◆ Quando non è usato, l'elettrotensile deve essere conservato in un luogo asciutto.
- ◆ Gli elettrotensili non devono essere riposti alla portata dei bambini.

Ispezione e riparazioni

- ◆ Prima dell'impiego, controllare che l'elettrotensile non sia danneggiato e non presenti parti difettose. Controllare che non vi siano parti rotte, che gli interruttori non siano danneggiati e che non vi siano altre condizioni che potrebbero avere ripercussioni sulle prestazioni.
- ◆ Non usare l'elettrotensile se alcune parti sono danneggiate o difettose.
- ◆ Far riparare o sostituire le parti danneggiate o difettose da un tecnico autorizzato.
- ◆ Non tentare di smontare o sostituire qualsiasi parte ad eccezione di quelle specificate nel presente manuale.

Sicurezza altrui

- ◆ Questo elettrotensile non è stato progettato per impiego da parte di persone (o bambini) portatrici di handicap fisici, psichici o sensoriali o che non abbiano la dovuta esperienza o conoscenza, a meno che non siano seguite o opportunamente istruite sul suo impiego da parte di una persona responsabile della loro sicurezza.
- ◆ Controllare che i bambini non giochino con l'elettrotensile.

Rischi residui.

Quando si usa l'elettrotensile, possono esservi altri rischi residui che possono non essere stati contemplati negli avvisi di sicurezza allegati. Tali rischi possono sorgere a seguito di un uso prolungato o improprio, ecc.

Perfino adottando gli appositi regolamenti di sicurezza e utilizzando i dispositivi di sicurezza, certi rischi residui non possono essere evitati. Essi comprendono:

- ◆ Lesioni causate dal contatto con parti in movimento.
- ◆ Lesioni causate durante la sostituzione di parti o accessori.
- ◆ Lesioni causate dall'impiego prolungato dell'elettrotensile. Quando si usa qualsiasi elettrotensile per lunghi periodi, accertarsi di fare regolarmente delle pause.

Etichette sull'elettrotensile

Sull'elettrotensile appaiono i seguenti pittogrammi:



Attenzione! Per ridurre il rischio di infortuni, l'utente deve leggere il manuale d'uso.



Attenzione! Usare solo liquidi non infiammabili.



Attenzione! Mantenere distanti eventuali osservatori.



Attenzione! Indossare una maschera antipolvere.



Attenzione! Indossare occhiali di sicurezza.

Caratteristiche

Si indicano di seguito le caratteristiche di cui questo elettrotensile è dotato.

1. Stantuffo
2. Interruttore
3. Serbatoio pittura
4. Cavalletto
5. Valvola di rifornimento
6. Pulsante di rotazione testa
7. Testa rullo
8. Rullo
9. Mascherina

Montaggio

Montaggio del manico (fig. A)

- ◆ Infilare il manico (10) nel serbatoio di pittura (3) verificando che il collare arancione (11) si innesti nel manico (3).
- ◆ Avvitare il collare arancione (11) sui filetti del manico (3) e serrarlo.

Montaggio della testa del rullo (fig. B)

- ◆ Infilare il manico (12) nella testa del rullo (7) verificando che l'O-ring (13) sia insediato nella testa del rullo (7) e che il collare nero (14) si innesti nella testa del rullo (7).
- ◆ Avvitare il collare nero (14) sui filetti della testa del rullo (7) e serrarlo.

Montaggio di un rullo sulla rispettiva testa (fig. C)

- ◆ Lubrificare le punte (15) da ambo i lati della struttura del rullo (16) usando della vaselina.
- ◆ Infilare il rullo assemblato (8) sulla relativa struttura (16).

Nota: Verificare che il rullo si agganci nel fermaglio di bloccaggio sul coperchietto esterno del rullo.

Montaggio della mascherina (fig. D)

La mascherina serve a ridurre gli schizzi e i gocciolamenti durante la tinteggiatura, in modo particolare sui soffitti.

- ◆ Agganciare la mascherina (9) sulla struttura del rullo (16) in modo che lo avvolga (8).
- ◆ Ruotare la mascherina nella posizione desiderata.

Nota: La mascherina serve inoltre a impedire gocciolature quando lo Speedy Roller™ è appoggiato sul cavalletto e non viene usato. Posizionare la mascherina sotto il rullo.

Utilizzo

Rifornimento con pittura (figg. E e F)

Nota: Quando si usa lo Speedy Roller™ per la prima applicazione, la maggior parte della pittura contenuta nel serbatoio verrà assorbita per saturare il rivestimento del rullo. Potrebbe quindi essere necessario un secondo rifornimento.

- ◆ Inserire l'estremità piccola del tubo di rifornimento (17) nel foro alla base del fermaglio della latta di pittura (18). Premere con attenzione fino a quando si aggancia in sede.
- ◆ Appoggiare il fermaglio della latta di pittura (18) sopra il bordo della latta stessa.

Nota: In caso di latte molto alte, collegare un pezzo di tubo trasparente di 19 mm di diametro interno sopra le nervature del tubo di rifornimento per allungarlo e agganciarlo sul lato della latta per mezzo del fermaglio del tubo di rifornimento. Tagliare l'estremità inferiore del tubo leggermente ad angolo. Il tubo può essere acquistato nella maggior parte dei negozi Fai da te.

- ◆ Lubrificare la parte superiore del tubo di rifornimento (17) con un po' di vaselina.
- ◆ Tenere lo Speedy Roller™ a un angolo di 45° e mettere la valvola di rifornimento (5) sopra il tubo di rifornimento (17). Premere con attenzione lo Speedy Roller™ verso il basso in modo che copra completamente il tubo di rifornimento.

Nota: Controllare che il coperchio del tappo di rifornimento arancione (19) sia completamente coperto dalla protezione del fermaglio della latta.

- ◆ Tirare completamente indietro con fermezza lo stantuffo (1) per aspirare la pittura nello Speedy Roller™, accertandosi di esercitare una pressione sufficiente a mantenere una giunzione idonea tra la valvola e il tubo di rifornimento.
- ◆ Sollevare lentamente lo Speedy Roller™ dal tubo di rifornimento.

Nota: Se non si riceve un rifornimento completo la prima volta, premere lo stantuffo lentamente per far ritornare la pittura nella latta e quindi tirare indietro lo stantuffo verificando che l'angolo sia corretto e che il coperchio del tappo di rifornimento arancione sia completamente insediato.

Regolazione dell'angolo della testa del rullo (figg. G e H)

La testa del rullo può essere regolata in base a tre angoli diversi.

- ◆ Tenere premuto il pulsante di rotazione della testa arancione (6) sulla testa del rullo (7).
- ◆ Ruotare la testa del rullo (7) in base all'angolo richiesto.

Nota: Usarla dritta per la tinteggiatura normale e con un angolo di 40° o 80° per i punti difficili da raggiungere vicino al soffitto o ai bordi.

Nota: Il manico (10) può essere ruotato per renderlo più comodo durante la tinteggiatura con una struttura del rullo angolare. Per ruotare il manico nella posizione desiderata, allentare il collare (11), regolare il manico e riserrare il collare (fig. H).

Tinteggiatura con lo Speedy Roller™ (figg. I e J)

- ◆ Iniziare facendolo rotolare sulla parete e premere il manico dello stantuffo (1) oppure il grilletto (2) per alimentare la pittura al rivestimento del rullo.

Nota: La saturazione iniziale del rullo potrebbe richiedere l'intera quantità di pittura del primo rifornimento. Rifornire lo Speedy Roller™ come richiesto.

Suggerimenti utili

- ◆ Premere il grilletto solo quando serve altra pittura.
- ◆ Se si ottiene una finitura a puntini durante la tinteggiatura, applicare più pittura.
- ◆ Se il rullo scivola sulla superficie, applicare meno pittura.

- ◆ Si potrebbe notare la vaselina nel manico. La vaselina è necessaria, è utile per il funzionamento del rullo e non ha nessun effetto sulla pittura.
- ◆ Quando non viene usato, appoggiare lo Speedy Roller™ sul cavalletto (4) con la mascherina (9) attaccata e posizionata sotto il rullo.

Far ritornare la pittura in eccesso nella relativa lattina (figg. K - M)

- ◆ Mettere il pollice sopra il coperchio del tappo di rifornimento arancione (19).
- ◆ Tirare indietro lo stantuffo (1) per aspirare la pittura in eccesso dalla struttura del rullo nel tubo.
- ◆ Tenere lo Speedy Roller™ a un angolo di 45° e mettere la valvola di rifornimento (5) sopra il tubo di rifornimento (17). Premere con attenzione lo Speedy Roller™ verso il basso in modo che copra completamente il tubo di rifornimento.

Nota: Controllare che il coperchio del tappo di rifornimento arancione (19) sia completamente coperto dalla protezione del fermaglio della latta.

- ◆ Spingere completamente lo stantuffo nel tubo.
- ◆ Rimuovere il rullo (8) afferrando il coperchietto esterno (20) e la struttura del rullo (16) e usando il pollice dell'altra mano per scalzare il rullo

Nota: Indossare dei guanti usa e getta oppure mettere un sacchetto di plastica sopra il rullo per non sporcare le mani.

- ◆ Eliminare ogni eccesso di pittura dal rullo e versarlo nella latta.
- ◆ Rimuovere il coperchietto interno inserendo, ad angolo, 2-3 cm del tubo in metallo della struttura del rullo nel coperchietto.
- ◆ Tirare con attenzione verso sé la struttura del rullo.
- ◆ Rimuovere l'anima del rullo.
- ◆ Versare la pittura che rimane.
- ◆ Rimuovere il coperchietto esterno (20) inserendo la struttura nel rullo e scalzando con attenzione il coperchietto.

Consigli per un utilizzo ottimale

- ◆ Usare esclusivamente coperchietti perforati dello Speedy Roller™ Black & Decker (accessorio numero: BDPRA09-XJ & BDPRA18-XJ). I normali coperchietti non funzionano.
- ◆ Ispezionare il coperchietto del rullo per vedere che non perda peli, se necessario, lavarlo e asciugarlo prima dell'impiego.
- ◆ Quando si usa lo Speedy Roller™ per la prima applicazione, la maggior parte della pittura presente nel tubo dello Speedy Roller™ verrà usata per saturare il rivestimento del rullo. Potrebbe quindi essere necessario un secondo rifornimento.
- ◆ Per evitare gocciolamenti, continuare a muovere il rullo mentre si preme lo stantuffo o il grilletto.
- ◆ Non continuare a premere lo stantuffo o il grilletto se il rullo comincia a scivolare o a slittare oppure se gocciola.

- ◆ Quando si tinteggia in spazi ristretti, rifornire parzialmente lo Speedy Roller™ oppure inclinare la struttura. In questo modo si riduce la lunghezza generale.
- ◆ Quando si lascia lo Speedy Roller™ incustodito per lunghi periodi di tempo, avvolgerlo in un sacchetto in plastica per evitare che si essicchi, eliminando il più possibile l'aria dal sacchetto.
- ◆ Accertarsi che il tipo di pittura usato possa essere pulito o con acqua ragia (per le vernici a base di olio) oppure con acqua calda e sapone (per le pitture solubili all'acqua)
- ◆ Usare dei teli per proteggere le pavimentazioni e qualsiasi altro oggetto nel locale che si desidera proteggere da eventuali spruzzi accidentali di pittura.
- ◆ Quando si usa il cavalletto, inclinare sempre la testa in posizione diritta e rilasciare la pressione tirando leggermente in fuori lo stantuffo.

Pulizia e manutenzione

Pulitura dello Speedy Roller™ (figg. O - T)

- ◆ Rimuovere il manico del rullo.
 - ◆ Spingere il tubo di rifornimento direttamente nella valvola di rifornimento. Quando si puliscono pitture solubili all'acqua, immergere il tubo di rifornimento in acqua insaponata calda e azionare lo stantuffo 5 o più volte. Quando si usano vernici a base di olio, al posto dell'acqua usare uno dei solventi di pulitura idonei come elencato sul contenitore del fabbricante e smaltirlo come richiesto.
- Nota:** Per eseguire la procedura di lavaggio descritta qui sopra, usare un lavandino, una bacinella o qualsiasi altro contenitore che possa essere riempito di acqua. Sostituire l'acqua quando è sporca oppure quando si passa alla fase successiva.
- ◆ Rimuovere il tubo di rifornimento. Immergere quindi la struttura del rullo e, dopo aver verificato che anche la valvola di rifornimento sia sott'acqua, azionare 5 o più volte lo stantuffo (fig. P).

Nota: Se si usa un contenitore piccolo, inclinare la struttura del rullo nella posizione degli 80 gradi in modo da poterlo infilare nel contenitore (fig. Q).

- ◆ Rimuovere la struttura del rullo e continuare la pulitura come richiesto. Immergere il tubo di rifornimento in acqua insaponata calda e azionare lo stantuffo 5 o più volte.

Nota: Pulire via la pittura che rimane dall'estremità dello stantuffo (1).

- ◆ Svitare il cappuccio della valvola (19) e rimuovere la tenuta scorrevole (22) e la valvola a becco d'anatra (21) per pulirle. Risciacquare tutte le parti rimanenti e far scolare tutto il liquido dallo Speedy Roller™ (fig. S).
- ◆ Rimuovere il tubo dalla struttura (se necessario) premendo gli stringitubo. Lavare struttura e tubo. Ricollegare il tubo e fissarlo con gli stringitubo (24) (fig. T).

Nota: Acquistare sempre coperchietti perforati dello Speedy Roller™ Black & Decker (accessorio numero: BDPRA09-XJ e BDPRA18-XJ). Un rullo normale non funziona.

Lubrificazione dello Speedy Roller™ (figg. U - X)

La lubrificazione facilita il normale funzionamento e deve essere effettuata dopo la pulitura e prima di ciascun impiego.

- ◆ Ruotare in senso antiorario il collare filettato (11) vicino al grilletto fino a quando il tubo principale si sfilia.

Nota: In fase di rimontaggio, il collare filettato arancione (11) dovrebbe trovarsi verso l'impugnatura del grilletto.

- ◆ Applicare della vaselina attorno e tra le tenute in gomma (25). Riasssemblare verificando che le tenute in gomma non siano attorcigliate o danneggiate. Serrare il collare di bloccaggio.
- ◆ Applicare della vaselina sulla valvola a becco d'anatra (21) e sulla tenuta scorrevole (22) e rimontarle in sede avvitando di nuovo in sede il cappuccio della valvola (19).
- ◆ Applicare della vaselina sulle tenute interne dei coperchietti (26) e quindi assemblare il rullo inserendo l'anima (27) all'interno del rivestimento del rullo (28) e attaccando i coperchietti come illustrato.

Protezione dell'ambiente



Raccolta differenziata. Questo prodotto non deve essere smaltito con i normali rifiuti domestici.

Nel caso in cui l'elettrotensile Black & Decker debba essere sostituito o non sia più necessario, non smaltirlo con i normali rifiuti domestici. Metterlo da parte per la raccolta differenziata.



La raccolta differenziata dei prodotti e degli imballaggi utilizzati consente il riciclaggio dei materiali e il loro continuo utilizzo. Il riutilizzo dei materiali riciclati favorisce la protezione dell'ambiente prevenendo l'inquinamento e riduce il fabbisogno di materie prime.

Seguire la regolamentazione locale per la raccolta differenziata dei prodotti elettrici che può prevedere punti di raccolta o la consegna dell'elettrotensile al rivenditore presso il quale viene acquistato un nuovo prodotto.

Black & Decker offre ai propri clienti la possibilità di riciclare i prodotti Black & Decker che hanno esaurito la loro vita di servizio. Per usufruire di tale servizio, è sufficiente restituire il prodotto a qualsiasi tecnico autorizzato, incaricato della raccolta per conto dell'azienda.

Per individuare il tecnico autorizzato più vicino, rivolgersi alla sede Black & Decker locale, presso il recapito indicato nel

presente manuale. Altrimenti, un elenco completo di tutti i tecnici autorizzati Black & Decker e i dettagli completi sui contatti e i servizi post-vendita sono disponibili su Internet all'indirizzo: www.2helpU.com

Dati tecnici

		BDPR400
Capacità	ml	650
Peso	kg	1,4

Garanzia

Certa della qualità dei suoi prodotti, Black & Decker offre una garanzia eccezionale. Il presente certificato di garanzia è complementare ai diritti legali e non li pregiudica in alcun modo. La garanzia è valida entro il territorio degli Stati membri dell'Unione Europea e dell'EFTA (European Free Trade Area).

Se un prodotto Black & Decker risulta difettoso per qualità del materiale, della costruzione o per mancata conformità entro 24 mesi dalla data di acquisto, Black & Decker garantisce la sostituzione delle parti difettose, provvede alla riparazione dei prodotti se ragionevolmente usurati oppure alla loro sostituzione, in modo da ridurre al minimo il disagio del cliente a meno che:

- ◆ il prodotto non sia stato destinato a usi commerciali, professionali o al noleggio;
- ◆ il prodotto non sia stato usato in modo improprio o scorretto;
- ◆ il prodotto non abbia subito danni causati da oggetti o sostanze estranee oppure incidenti;
- ◆ il prodotto non abbia subito tentativi di riparazione non effettuati da tecnici autorizzati né dall'assistenza Black & Decker.

Per attivare la garanzia è necessario esibire la prova di acquisto al venditore o al tecnico autorizzato. Per individuare il tecnico autorizzato più vicino, rivolgersi alla sede Black & Decker locale, presso il recapito indicato nel presente manuale. Altrimenti, un elenco completo di tutti i tecnici autorizzati Black & Decker e i dettagli completi sui contatti e i servizi post-vendita sono disponibili su Internet all'indirizzo: www.2helpU.com

I clienti che desiderano registrare il nuovo prodotto Black & Decker e ricevere gli aggiornamenti sui nuovi prodotti e le offerte speciali, sono invitati a visitare il sito Web (www.blackanddecker.it). Ulteriori informazioni sul marchio e la gamma di prodotti Black & Decker sono disponibili all'indirizzo www.blackanddecker.it.

Beoogd gebruik

Uw Black & Decker Speedy Roller™ is ontworpen voor het aanbrengen van verf op muren en plafonds. De verfroller is uitsluitend bestemd voor gebruik binnenshuis.

Veiligheidsinstructies



Waarschuwing! Lees alle veiligheids-waarschuwingen en alle voorschriften.

Wanneer de volgende waarschuwingen en voorschriften niet in acht worden genomen, kan dit letsel tot gevolg hebben.

- ◆ Lees deze handleiding zorgvuldig door voordat u de verfroller in gebruik neemt.
- ◆ In deze handleiding wordt ingegaan op het beoogde gebruik. Het gebruik van andere accessoires of hulpstukken dan wel de uitvoering van andere handelingen dan in deze gebruikershandleiding worden aanbevolen, kan tot persoonlijk letsel leiden.
- ◆ Bewaar deze handleiding zorgvuldig zodat u deze altijd nog eens kunt raadplegen.

Gebruik van de verfroller

- ◆ Giet nooit ontkalkingsmiddel, alcoholische producten of reinigingsmiddelen in de Speedy Roller. Deze producten kunnen de verfroller beschadigen of onveilig voor gebruik maken.

Na gebruik

- ◆ Bewaar de verfroller na gebruik op een droge plaats.
- ◆ Zorg dat het bewaarde apparaat niet toegankelijk is voor kinderen.

Inspectie en reparaties

- ◆ Controleer het apparaat vóór gebruik op beschadigingen en defecten. Controleer het vooral op gebroken onderdelen, schade aan de schakelaars en andere omstandigheden die de werking ervan kunnen beïnvloeden.
- ◆ Gebruik het apparaat niet in geval van een of meer beschadigde of defecte onderdelen.
- ◆ Laat beschadigde of defecte onderdelen door een van onze servicecentra repareren of vervangen.
- ◆ Probeer nooit andere onderdelen te verwijderen of te vervangen dan in deze handleiding zijn vermeld.

Veiligheid van anderen

- ◆ Dit apparaat mag niet worden gebruikt door personen (waaronder kinderen) met een lichamelijke of geestelijke beperking of die geen ervaring met of kennis van dit apparaat hebben, tenzij ze onder toezicht staan of instructies krijgen wat betreft het gebruik van het apparaat van een persoon die verantwoordelijk is voor hun veiligheid.

- ◆ Houd toezicht op kinderen om ervoor te zorgen dat zij niet met het apparaat gaan spelen.

Overige risico's

Er kunnen zich tijdens het gebruik van het gereedschap ook andere risico's voordoen, die misschien niet in de bijgevoegde veiligheidswaarschuwingen worden vermeld. Deze risico's kunnen zich voordoen als gevolg van onoordeelkundig gebruik, langdurig gebruik, enz.

Zelfs als de veiligheidsvoorschriften in acht worden genomen en de veiligheidsvoorzieningen worden geïmplementeerd, kunnen bepaalde risico's niet worden vermeden. Deze omvatten:

- ◆ Verwondingen die worden veroorzaakt door het aanraken van bewegende onderdelen.
- ◆ Verwondingen die worden veroorzaakt bij het vervangen van onderdelen of accessoires.
- ◆ Verwondingen die worden veroorzaakt door langdurig gebruik van het apparaat. Als u lange tijd met de verfroller werkt, is het raadzaam om regelmatig een pauze in te lassen.

Labels op de verfroller

De verfroller is voorzien van de volgende pictogrammen:



Waarschuwing! De gebruiker moet de instructiehandleiding lezen om het risico op letsel te verminderen.



Waarschuwing! Gebruik uitsluitend niet-ontvlambare vloeistoffen.



Waarschuwing! Houd omstanders uit de buurt.



Waarschuwing! Draag een stofmasker.



Waarschuwing! Draag een veiligheidsbril.

Onderdelen

De verfroller kan de volgende onderdelen bevatten.

1. Plunjer
2. Schakelaar
3. Verfreservoir
4. Standaard
5. Vuilklep
6. Draaiknop kop
7. Rollerkop

- 8. Roller
- 9. Druppelbak

Montage

De steel vastmaken (afb. A)

- ◆ Schuif de steel (10) in het verfreservoir (3). Zorg ervoor dat de oranje ring (11) de handgreep raakt (3).
- ◆ Schroef de oranje ring (11) op het schroefdraad van de handgreep (3) en draai vast.

De rollerkop monteren (afb. B)

- ◆ Schuif de gemonteerde steel (12) in de rollerkop (7). Zorg ervoor dat de O-ring (13) zich aan de binnenzijde van de rollerkop bevindt (7) en dat de zwarte ring (14) de rollerkop raakt (7).
- ◆ Schroef de zwarte ring (14) op het schroefdraad van de rollerkop (7) en draai vast.

Een roller op de rollerkop monteren (afb. C)

- ◆ Smeer beide uiteinden (15) van het rollerframe (16) met smeervet.
- ◆ Schuif de gemonteerde roller (8) op het rollerframe (16).

Opmerking: Zorg ervoor dat de sluitclip aan het uiteinde van de rollerkop op het rollerframe vast klikt.

De druppelbak koppelen (afb. D)

De druppelbak vermindert verfspatten en druppels tijdens het verven, wat vooral belangrijk is bij het verven van plafonds.

- ◆ Klik de druppelbak (9) vast op het rollerframe (16) zodat deze de roller afschermt (8).
- ◆ Draai de druppelbak in de gewenste stand.

Opmerking: De druppelbak voorkomt ook druppelen als de Speedy Roller™ op de standaard is geplaatst en niet wordt gebruikt. Plaats de druppelbak onder de roller.

Gebruik van de verfroller

De verfroller met verf vullen (afb. E en F)

Opmerking: Als u de Speedy Roller™ voor de eerste keer gebruikt, zal de meeste verf in het verfreservoir door de rollerbekleding worden opgezogen. Het kan nodig zijn het reservoir nogmaals te vullen.

- ◆ Steek het smalle uiteinde van de vulbuis (17) in het gat onderin de verfblikkleem (18). Oefen een lichte druk uit totdat de vulbuis vast klikt.
- ◆ Bevestig de verfblikkleem (18) op de rand van uw verfblik.

Opmerking: Bij hogere blikken moet u de vulbuis verlengen door een stuk slang met een binnendiameter van 19 mm over de ribben van de vulbuis te schuiven en deze verlengde vulbuis aan de rand van het verfblik vast te klikken in de verfblikkleem. Snij de onderzijde van de slang licht schuin af. Slangen zijn verkrijgbaar in de meeste doe-het-zelfzaken.

- ◆ Smeer de bovenzijde van de vulbuis (17) met een kleine hoeveelheid smeervet.
- ◆ Houd de Speedy Roller™ in een hoek van 45° en plaats de vulklep (5) boven de vulbuis (17). Duw de Speedy Roller™ zacht omlaag totdat deze de vulbuis volledig bedekt.

Opmerking: Zorg ervoor dat de oranje vuldoprand (19) volledig is bedekt door de kraag van de blikkleem.

- ◆ Trek de plunjer krachtig (1) helemaal naar u toe om verf in de Speedy Roller™ te laten stromen en zorg ervoor dat u tegelijkertijd voldoende druk uitoefent op de verfblikrand, zodat de vulklep en de vulbuis contact houden.
- ◆ Til de Speedy Roller™ langzaam van de vulbuis.

Opmerking: Als het verfreservoir de eerste keer nog niet volledig is gevuld, kunt u de plunjer langzaam omlaag trekken om verf terug in het blik te laten stromen. Vervolgens trekt u aan het uiteinde van de plunjer en zorgt u ervoor dat de hoek met de blikrand juist is en dat de oranje vuldoprand volledig is bedekt.

De hoek van de rollerkop instellen (afb. G en H)

De rollerkop kan in drie verschillende hoeken worden ingesteld.

- ◆ Houd de oranje draaikop op de rollerkop (6) ingedrukt (7).
- ◆ Draai de rollerkop (7) in de gewenste hoek.

Opmerking: Voor normale verfwerkzaamheden hoeft u de hoek niet aan te passen, de rollerkop kan dan in het verlengde van de buis blijven staan. Wilt u verven op moeilijk bereikbare plaatsen of vlakbij plafonds of hoeken, draai de rollerkop dan in een hoek van 40° of 80°.

Opmerking: De handgreep (10) kan worden gedraaid, zodat u de verfroller ook als het rollerframe gedraaid is prettig kunt vasthouden. Wilt u de handgreep in de gewenste stand draaien, draai dan de ring los (11), draai de handgreep en draai de ring weer vast (afb. H).

Verven met de Speedy Roller™ (afb. I en J)

- ◆ Rol over de muur en oefen druk uit op de plunjersteel (1) of knijp in de handgreep (2) om verf in de rollerbekleding te laten stromen.

Opmerking: De eerste keer dat de roller zich vol zuigt, zuigt deze mogelijk de totale hoeveelheid verf van de eerste vulling op. Vul de Speedy Roller™ bij indien nodig.

Nuttige tips

- ◆ U hoeft alleen in de handgreep te knijpen als u meer verf nodig hebt.
- ◆ Ontstaat tijdens het verven een stippenpatroon, gebruik dan meer verf.
- ◆ Schuift de roller over het oppervlak, gebruik dan minder verf.
- ◆ Mogelijk bevindt zich wat smeervet op de steel. Dit is noodzakelijk en zorgt voor een betere werking. Het heeft geen invloed op de verf.

- ◆ Als u de Speedy Roller™ niet gebruikt, moet u deze op de standaard (4) plaatsen met de druppelbak (9) gemonteerd onder de roller.

Overgebleven verf terug laten stromen in het verblik (afb. K - M)

- ◆ Plaats uw duim op de oranje vuldoprand (19).
- ◆ Trek de plunjer (1) naar u toe om in het rollerframe achtergebleven verf in de buis te laten stromen.
- ◆ Houd de Speedy Roller™ in een hoek van 45° en plaats de vulklep (5) boven de vulbuis (17). Duw de Speedy Roller™ zacht omlaag totdat deze de vulbuis volledig bedekt.

Opmerking: Zorg ervoor dat de oranje vuldoprand (19) volledig is bedekt door de kraag van de blikklem.

- ◆ Duw de plunjer volledig in de buis.
- ◆ Verwijder de roller (8) door het uiteinde van de dop (20) en het rollerframe (16) vast te pakken. Gebruik de duim van de hand waarmee u het frame vast hebt om de roller van het frame te drukken

Opmerking: Draag wegwerphandschoenen of stop de roller in een plastic zak om uw handen schoon te houden.

- ◆ Schraap alle in de roller overgebleven verf in het blik.
- ◆ Verwijder de binnenste dop door de metalen buis van het rollerframe ongeveer 2-3 centimeter in een hoek in de dop te duwen.
- ◆ Trek het rollerframe langzaam naar u toe.
- ◆ Verwijder de rollerkern.
- ◆ Verwijder alle overgebleven verf.
- ◆ Verwijder de buitenste dop (20) door het rollerframe langzaam in de roller te duwen en de dop voorzichtig van de roller te duwen.

Tips voor optimaal gebruik

- ◆ Gebruik uitsluitend geperforeerde Black & Decker Speedy Roller™ rollerbekleding (Accessoirenummer : BDPRA09-XJ & BDPRA18-XJ). Standaard rollerbekledingen geven geen goed verfresultaat met deze verfroller.
- ◆ Controleer de rollerbekleding op stof voordat u begint te verven en was en droog de bekleding indien nodig voor gebruik.
- ◆ Als u de Speedy Roller™ voor de eerste keer gebruikt, zal de meeste verf in de buis van de Speedy Roller™ door de rollerbekleding worden opgezogen. Het kan nodig zijn het reservoir nogmaals te vullen.
- ◆ Blijf de roller bewegen wanneer u de plunjer indrukt of in de handgreep knijpt. Dit voorkomt druppelen.
- ◆ Stop met het indrukken van de plunjer of het knijpen in de handgreep als de roller begint te slippen, glijden of druppelen.
- ◆ Als u smalle gebieden wilt verven, vul de Speedy Roller™ dan niet volledig of draai het frame. Dit verkleint de totale breedte van de roller.

- ◆ Als u de Speedy Roller™ langere tijd onbeheerd achterlaat, moet u de roller in een plastic zak, waarin zich zo min mogelijk lucht bevindt, wikkelen om uitdroging te voorkomen.
- ◆ Zorg dat het type verf dat u gebruikt, kan worden gereinigd met minerale spiritus (voor verf op oliebasis) of met warm water en zeepoplossing (voor wateroplosbare verf)
- ◆ Gebruik geschikte afdekkingen om uw vloeren en voorwerpen die zich in de ruimte bevinden te beschermen tegen verfspatten.
- ◆ Als u de standaard gebruikt, moet u de kop altijd in het verlengde van de buis draaien en de druk verminderen door de plunjer langzaam uit te trekken.

Onderhoud en reiniging

De Speedy Roller™ reinigen (afb. O - T)

- ◆ Verwijder de roller.
- ◆ Duw de vulbuis direct in de vulklep. Voor het verwijderen van wateroplosbare verf dompelt u de vulbuis onder in een warm sopje en trekt u de plunjer ten minste vijf keer in en uit. Voor het verwijderen van verf op oliebasis gebruikt u in plaats van water een krachtig oplosmiddel dat staat vermeld op het verblik en voert u de verfstrepen op de juiste wijze af.

Opmerking: Gebruik een gootsteen, wasbak of andere bak zodat water tijdens het spoelen kan worden opgevangen. Ververs het water als het vuil is of als u naar de volgende stap gaat.

- ◆ Verwijder de vulbuis. Dompel vervolgens het rollerframe onder en zorg ervoor dat de vulklep ook onder water komt. Trek de plunjer ten minste vijf keer in en uit (afb. P).

Opmerking: Als u een kleine bak gebruikt, draai het rollerframe dan in een hoek van 80 graden zodat het frame in de bak past (afb. Q).

- ◆ Verwijder het rollerframe en ga indien nodig door met reinigen. Dompel de hendel onder in het warme sopje en trek de plunjer ten minste 5 keer in en uit.

Opmerking: Veeg overgebleven verf van het uiteinde van de plunjer (1).

- ◆ Schroef de vuldop (19) los en verwijder de afdichting (22) en het ventiel (21) om de vuldop te reinigen. Spoel alle overige delen af en spoel alle vloeistoffen van de Speedy Roller™ (afb. S).
- ◆ Verwijder de slang van het frame (indien nodig) door de slangklemmen in te duwen. Spoel het frame en de slang schoon. Plaats de slang terug en zet deze vast met de slangklemmen (24) (afb. T).

Opmerking: Gebruik uitsluitend geperforeerde Black & Decker Speedy Roller™ rollerbekleding (Accessoirenummer : BDPRA09-XJ & BDPRA18-XJ). Standaard rollers geven geen goed verfresultaat met deze verfroller.

De Speedy Roller™ smeren (afb. U - X)

Smeren zorgt voor een betere werking. Smeer de verfroller na het reinigen en voor elk gebruik.

- ◆ Draai de vast gedraaide ring (11) bij de handgreep tegen de klok in totdat de gemonteerde hoofdbuis van de handgreep valt.

Opmerking: Let er bij het weer vastdraaien van de oranje ring (11) op, dat deze de handgreep raakt.

- ◆ Breng smeervet aan rond en tussen de rubberen afdichtingen (25). Let er bij het weer terugplaatsen op dat de rubberen afdichtingen niet gedraaid of beschadigd zijn. Draai de vergrendelingsring vast.
- ◆ Breng smeervet aan op het ventiel (21) en de afdichting (22) en draai de vuldop (19) met de klok mee vast.
- ◆ Breng smeervet aan op de afdichtingen aan de binnenzijde van uiteinden van de doppen (26). Monteer vervolgens de roller door de kern (27) in de rollerbekleding (28) te schuiven en de doppen aan de uiteinden te bevestigen zoals afgebeeld.

Milieu



Aparte inzameling. Dit product mag niet met normaal huishoudelijk afval worden weggegooid.

Mocht u op een dag constateren dat het Black & Decker-product aan vervanging toe is of dat u het apparaat niet meer nodig hebt, gooi het product dan niet bij het restafval. Het product valt onder de categorie voor elektrische apparaten.



Gescheiden inzameling van gebruikte producten en verpakkingsmaterialen maakt het mogelijk materialen te recyclen en opnieuw te gebruiken. Hergebruik van gerecycleerde materialen zorgt voor minder milieuvuiling en dringt de vraag naar grondstoffen terug.

Plaatselijke verordeningen kunnen voorzien in gescheiden inzameling van huishoudelijke elektrische producten via gemeentelijke stortplaatsen of via de leverancier bij wie u een nieuw product aanschaft.

Black & Decker biedt de mogelijkheid tot het recyclen van afgedankte Black & Decker-producten. Om gebruik te maken van deze service, dient u het product naar een van onze servicecentra te sturen, die de inzameling voor ons verzorgen.

U kunt het adres van het dichtstbijzijnde Black & Decker-servicecentrum opvragen via de adressen op de achterzijde van deze handleiding. U kunt ook een lijst van Black & Decker-servicecentra en meer informatie over onze klantenservice vinden op het volgende internetadres: www.2helpU.com

Technische gegevens

		B DPR400
Capaciteit	ml	650
Gewicht	kg	1,4

Garantie

Black & Decker heeft vertrouwen in haar producten en biedt een uitstekende garantie. Deze garantiebepalingen vormen een aanvulling op uw wettelijke rechten en beperken deze niet. De garantie geldt in de lidstaten van de Europese Unie en de Europese Vrijhandelsassociatie.

Mocht uw Black & Decker product binnen 24 maanden na de datum van aankoop defect raken ten gevolge van materiaal- of constructiefouten, dan garanderen wij de kosteloze vervanging van defecte onderdelen, de reparatie van het product of de vervanging van het product, tenzij:

- ◆ Het product is gebruikt voor handelsdoeleinden, professionele toepassingen of verhuurdoeleinden.
- ◆ Het product onoordeelkundig is gebruikt.
- ◆ Het product is beschadigd door invloeden van buitenaf of door een ongeval.
- ◆ Reparaties zijn uitgevoerd door anderen dan onze servicecentra of Black & Decker-personeel.

Om een beroep te doen op de garantie, dient u een aankoopbewijs te overhandigen aan de verkoper of een van onze servicecentra. U kunt het adres van het dichtstbijzijnde Black & Decker-servicecentrum opvragen via de adressen op de achterzijde van deze handleiding. U kunt ook een lijst van Black & Decker-servicecentra en meer informatie m.b.t. onze klantenservice vinden op internet op: www.2helpU.com

Meld u aan op onze website www.blackanddecker.nl om te worden geïnformeerd over nieuwe producten en speciale aanbiedingen. Verdere informatie over het merk Black & Decker en onze producten vindt u op www.blackanddecker.nl.

Uso previsto

El Speedy Roller™ de Black & Decker se ha diseñado para aplicar pintura a paredes y techos. Este aparato está pensado únicamente para uso doméstico en interiores.

Instrucciones de seguridad



¡Atención! Lea todas las advertencias e instrucciones de seguridad. En caso de no atenerse a las siguientes advertencias e instrucciones podría producirse una lesión.

- ◆ Lea todo el manual detenidamente antes de utilizar el aparato.
- ◆ En este manual se describe el uso para el que se ha diseñado el aparato. La utilización de accesorios o la realización de operaciones distintas de las recomendadas en este manual de instrucciones puede presentar un riesgo de lesiones.
- ◆ Conserve este manual para futuras consultas.

Utilización del aparato

- ◆ No introduzca nunca productos desoxidantes, aromáticos, alcohólicos o detergentes en el rodillo rápido, puesto que podría dañarse o funcionar de forma peligrosa.

Después de la utilización

- ◆ Cuando no lo utilice, el aparato se debe guardar en un lugar seco.
- ◆ Los niños no deben tener acceso a los aparatos guardados.

Inspecciones y reparaciones

- ◆ Antes de utilizarlo, compruebe que el aparato no tiene piezas dañadas o defectuosas. Compruebe que no existan piezas rotas, enchufes dañados ni otros problemas que puedan afectar a su funcionamiento.
- ◆ No utilice el aparato si presenta alguna pieza dañada o defectuosa.
- ◆ Solicite al servicio técnico autorizado la reparación o sustitución de las piezas dañadas o defectuosas.
- ◆ Nunca intente extraer ni sustituir ninguna pieza que no esté especificada en este manual.

Seguridad de terceros

- ◆ Ninguna persona (incluyendo niños) con capacidades físicas, sensoriales o mentales disminuidas, o que carezca de experiencia y conocimientos, debe utilizar este aparato, salvo que haya recibido supervisión o formación con respecto a su uso por parte de una persona responsable de su seguridad.
- ◆ Los niños deben vigilarse en todo momento para garantizar que el aparato no se toma como elemento de juego.

Riesgos residuales.

El uso de esta herramienta puede producir riesgos residuales adicionales no incluidos en las advertencias de seguridad adjuntas. Estos riesgos se pueden generar por un uso incorrecto, demasiado prolongado, etc.

El cumplimiento de las normas de seguridad correspondientes y el uso de dispositivos de seguridad no evitan ciertos riesgos residuales. Estos riesgos incluyen:

- ◆ Lesiones producidas por el contacto con piezas móviles.
- ◆ Lesiones producidas al cambiar cualquier pieza o accesorio.
- ◆ Lesiones producidas al usar el aparato por un tiempo demasiado prolongado. Cuando utilice cualquier aparato durante periodos de tiempo prolongados, asegúrese de realizar pausas con frecuencia.

Etiquetas del aparato

Encontrará los siguientes pictogramas en la herramienta:



¡Atención! Para reducir el riesgo de lesiones, el usuario debe leer el manual de instrucciones.



¡Atención! Utilice únicamente líquidos no inflamables.



¡Atención! Mantenga alejadas a otras personas.



¡Atención! Utilice una mascarilla antipolvo.



¡Atención! Utilice gafas de seguridad.

Características

Este aparato incluye una o más de las siguientes características.

1. Émbolo
2. Gatillo
3. Depósito de pintura
4. Caballete
5. Válvula de llenado
6. Botón de rotación de la cabeza
7. Cabeza del rodillo
8. Rodillo
9. Bandeja de goteo

Montaje

Instalación del mango (fig. A)

- ◆ Introduzca el mango (10) en el depósito de pintura (3) asegurándose de que el collar naranja (11) está en contacto con el mango (3).
- ◆ Pase el collar naranja (11) por los orificios del mango (3) y apriételo.

Instalación de la cabeza del rodillo (fig. B)

- ◆ Introduzca el mango (12) en la cabeza del rodillo (7) asegurándose de que el anillo "O" (13) queda encajado dentro de la cabeza del rodillo (7) y el collar negro (14) está en contacto con esta (7).
- ◆ Pase el collar negro (14) por los orificios de la cabeza del rodillo (7) y apriételo.

Instalación de un rodillo en la cabeza del rodillo (fig. C)

- ◆ Lubrique las puntas (15) de cada extremo del armazón del rodillo (16) con vaselina.
- ◆ Introduzca el rodillo montado (8) en el armazón del rodillo (16).

Nota: asegúrese de que el rodillo encaja en el anillo de bloqueo situado en el tapón del extremo exterior del rodillo.

Instalación de la bandeja de goteo (fig. D)

La bandeja de goteo ayuda a reducir las salpicaduras y los goteos cuando se pinta, especialmente en techos.

- ◆ Coloque la bandeja de goteo (9) en el armazón del rodillo (16) de forma que se ajuste alrededor del rodillo (8).
- ◆ Gire la bandeja de goteo hasta que quede en la posición deseada.

Nota: la bandeja de goteo también sirve para evitar goteos cuando el Speedy Roller™ está apoyado en el caballete y no se está utilizando. Coloque la bandeja de goteo debajo del rodillo.

Uso

Llenado con pintura (fig. E y F)

Nota: cuando se utilice el Speedy Roller™ para la primera aplicación, se necesitará casi toda la pintura del depósito para saturar la cubierta del rodillo. Puede que se necesite volver a llenar el depósito.

- ◆ Introduzca el extremo pequeño del tubo de llenado (17) por el orificio situado en la parte inferior de la pinza del bote de pintura (18). Presione suavemente hasta que encaje en su sitio.
- ◆ Coloque la pinza del bote de pintura (18) en el borde del bote de pintura.

Nota: en los recipientes más profundos, coloque un trozo de tubería limpia de 19 mm de diámetro interior por encima de las varillas del tubo de llenado para alargarlo y sujételo en el lateral del cubo con la pinza para botes del tubo de llenado. Corte el extremo inferior de la tubería en un ligero ángulo. Podrá encontrar tuberías en la mayoría de tiendas de bricolaje.

- ◆ Lubrique la parte superior del tubo de llenado (17) con un poco de vaselina.
- ◆ Sujete el Speedy Roller™ en un ángulo de 45° y coloque la válvula de llenado (5) por encima del tubo de llenado (17). Empuje suavemente el Speedy Roller™ hacia abajo hasta que cubra completamente el tubo de llenado.

Nota: asegúrese de que la cubierta naranja del tapón de llenado (19) está completamente cubierta por la pinza del bote.

- ◆ Tire hacia atrás del émbolo con fuerza (1) para que llegue la pintura al Speedy Roller™ asegurándose de aplicar suficiente presión para mantener una unión adecuada entre la válvula de llenado y el tubo de llenado.
- ◆ Levante lentamente el Speedy Roller™ del tubo de llenado.

Nota: si no consigue llenarlo completamente la primera vez, presione el émbolo lentamente para devolver pintura al bote y, a continuación, tire del émbolo asegurándose de que el ángulo es correcto y que la cubierta naranja del tapón de llenado queda perfectamente encajada.

Ajuste del ángulo de la cabeza del rodillo (fig. G y H)

La cabeza del rodillo se puede ajustar en tres ángulos diferentes.

- ◆ Mantenga pulsado el botón naranja de rotación de la cabeza (6) situado en la cabeza del rodillo (7).
- ◆ Gire la cabeza del rodillo (7) hasta el ángulo deseado.

Nota: use un ángulo recto para pintura general y ángulos de 40° u 80° para lugares de difícil acceso o cuando pinte cerca de techos o bordes.

Nota: el mango (10) se puede girar para que sea más cómodo pintar con un armazón de rodillo inclinado. Para girar el mando hasta la posición deseada, afloje el collar (11), ajuste el mango y vuelva a apretar el collar (fig H).

Pintar con el Speedy Roller™ (fig. I y J)

- ◆ Empiece a aplicar el rodillo en la pared y presione el mango del émbolo (1) o pulse el gatillo para llenar la cubierta del rodillo (2) de pintura.

Nota: puede que necesite toda la pintura del primer llenado para saturar inicialmente el rodillo. Llene el Speedy Roller™ según sea necesario.

Consejos útiles

- ◆ El gatillo sólo debe pulsarse cuando se necesite pintura.
- ◆ Si, al pintar, le salen puntos, aplique más pintura.

- ◆ Si el rodillo se desliza sobre la superficie, aplique menos pintura.
- ◆ Puede notar vaselina dentro del mango. Esta es necesaria y le ayudará a utilizarlo sin que afecte a la pintura.
- ◆ Cuando no lo esté usando, apoye el Speedy Roller™ en el caballete (4) con la bandeja de goteo (9) acoplada y colocada debajo del rodillo.

Devolución del exceso de pintura al bote de pintura (fig. K-M)

- ◆ Coloque el pulgar por encima de la cubierta naranja del tapón de llenado (19).
- ◆ Tire del émbolo (1) hacia atrás para que el exceso de pintura del armazón del rodillo entre en el tubo.
- ◆ Sujete el Speedy Roller™ en un ángulo de 45° y coloque la válvula de llenado (5) por encima del tubo de llenado (17). Empuje suavemente el Speedy Roller™ hacia abajo hasta que cubra completamente el tubo de llenado.

Nota: asegúrese de que la cubierta naranja del tapón de llenado (19) está completamente cubierta por la pinza del bote.

- ◆ Presione el émbolo hasta que entre por completo en el tubo.
- ◆ Extraiga el rodillo (8) sujetando el tapón del extremo exterior (20) y el armazón del rodillo (16) y usando el dedo pulgar de la otra mano para sacar el rodillo

Nota: utilice guantes desechables o ponga un bolsa de plástico por encima del rodillo para no ensuciarse las manos.

- ◆ Devuelva el exceso de pintura del rodillo al bote.
- ◆ Retire el tapón del extremo interior introduciendo el tubo de metal del armazón del rodillo en el tapón unos 2-3 centímetros en ángulo.
- ◆ Tire suavemente del armazón del rodillo hacia usted.
- ◆ Extraiga la parte central del rodillo.
- ◆ Vacíe la pintura restante.
- ◆ Retire el tapón exterior (20) introduciendo el armazón del rodillo en el rodillo y sacando suavemente el tapón.

Consejos para un uso óptimo

- ◆ Utilice únicamente cubiertas de rodillo perforadas para el Speedy Roller™ de Black & Decker (Número de accesorio: BDPRA09-XJ & BDPRA18-XJ). Las cubiertas de rodillo normales no sirven.
- ◆ Antes de pintar, compruebe que la cubierta del rodillo no tiene pelusas; si es necesario, lávela y séquela antes de usarla.
- ◆ Cuando se utilice el Speedy Roller™ para la primera aplicación, se necesitará casi toda la pintura del tubo del Speedy Roller™ para saturar la cubierta del rodillo. Puede que se necesite volver a llenar el depósito.
- ◆ No deje de mover el rodillo mientras presiona el émbolo o pulsa el gatillo para evitar goteos.

- ◆ Si el rodillo empieza a patinar, deslizarse o gotear, deje de presionar el émbolo o pulsar el gatillo.
- ◆ Cuando pinte en zonas estrechas, llene el Speedy Roller™ parcialmente o gire el armazón. De esta manera, se reduce la longitud total.
- ◆ Si deja el Speedy Roller™ sin vigilancia durante un largo período de tiempo, envuelva el rodillo en una bolsa de plástico para evitar que se seque y saque todo el aire que pueda de la bolsa.
- ◆ Asegúrese de que el tipo de pintura que está utilizando se puede limpiar con disolventes minerales (para pinturas con base de aceite) o con una solución de agua caliente y jabón (para pinturas solubles en agua).
- ◆ Cubra adecuadamente el suelo y todo lo que haya en la habitación para protegerlo y evitar que se salpique accidentalmente de pintura.
- ◆ Cuando utilice el caballete, gire siempre la cabeza hasta la posición recta y libere presión tirando ligeramente del émbolo hacia afuera.

Mantenimiento y limpieza

Limpieza del Speedy Roller™ (fig. O-T)

- ◆ Extraiga el manguito del rodillo.
- ◆ Introduzca el tubo de llenado directamente en la válvula de llenado. Cuando limpie pinturas solubles en agua, sumerja el tubo de llenado en agua caliente con jabón y meta y saque el émbolo 5 veces o más. Cuando utilice pinturas con base de aceite, en lugar de agua, utilice el solvente de limpieza adecuado indicado en el recipiente del fabricante y deséchelo de manera adecuada.

Nota: utilice un fregadero, un balde o cualquier recipiente para agua para realizar el proceso de aclarado anterior. Cambie el agua cuando esté sucia o cuando pase al siguiente paso.

- ◆ Extraiga el tubo de llenado. A continuación, sumerja el armazón del rodillo y, asegurándose de que la válvula de llenado también está sumergida, meta y saque el émbolo 5 veces o más (fig. P).

Nota: si utiliza un recipiente pequeño, gire el armazón del rodillo a la posición de 80 grados para que quepa dentro del recipiente (fig. Q).

- ◆ Saque el armazón del rodillo y continúe limpiando según sea necesario. Sumerja el mango en el agua caliente con jabón y meta y saque el émbolo 5 veces o más.

Nota: limpie los restos de pintura del extremo del émbolo (1).

- ◆ Desenrosque el tapón de la válvula (19) y retire la junta de labio (22) y la válvula de boca plana (21) para proceder a su limpieza. Enjuague todas las piezas restantes y vacíe todo el líquido del Speedy Roller™ (fig. S).

- ◆ Extraiga la tubería del armazón (si es necesario) apretando las abrazaderas de manguera. Aclare el armazón y la tubería. Vuelva a colocar la tubería y fíjela con abrazaderas de manguera (24) (fig. T).

Nota: compre siempre cubiertas de rodillo perforadas para el Speedy Roller™ de Black & Decker (Número de accesorio: BDPR09-XJ & BDPR18-XJ). Las cubiertas normales no sirven.

Lubricación del Speedy Roller™ (fig. U-X)

La lubricación ayuda al funcionamiento normal y se debe realizar después de la limpieza y antes de cada uso.

- ◆ Gire el collar de montaje de rosca (11) situado junto al gatillo hacia la izquierda hasta que salga el tubo principal.

Nota: al volver a colocarlo, el collar de rosca naranja (11) debe estar hacia el mango del gatillo.

- ◆ Aplique vaselina entre las juntas de goma y alrededor de estas (25). Vuelva a colocarlas asegurándose de que las juntas de goma no están torcidas o dañadas. Apriete el collar de bloqueo.
- ◆ Aplique vaselina a la válvula de boca plana (21) y a la junta de labio (22) y vuelva a colocarlas en la unidad volviendo a enroscar el tapón de la válvula(19) en su sitio.
- ◆ Aplique vaselina a las juntas internas de los tapones de los extremos (26), monte el rodillo colocando la parte central (27) dentro de la cubierta del rodillo (28) y colocando los tapones de los extremos tal como se muestra.

Black & Decker proporciona facilidades para la recogida y reciclado de los productos Black & Decker que han llegado al final de su vida útil. Para poder utilizar este servicio, le rogamos que entregue el producto a cualquier agente de servicio técnico autorizado para que se haga cargo de él en nuestro nombre.

Puede consultar la dirección de su agente de servicio técnico más cercano si se pone en contacto con la oficina local de Black & Decker en la dirección que se indica en este manual. Como alternativa puede consultar la lista de servicios técnicos autorizados de Black & Decker y obtener la información completa de nuestros servicios de posventa y los contactos disponibles en la siguiente dirección de Internet: www.2helpU.com

Ficha técnica

		BDPR400
Capacidad	ml	650
Peso	kg	1,4

Protección del medio ambiente



Recogida selectiva. No se debe desechar este producto con el resto de residuos domésticos.

Si llegase el momento en que fuese necesario sustituir su producto Black & Decker o si este dejase de tener utilidad para usted, no lo deseche junto con los residuos domésticos. Sepárelo para su recogida selectiva.



La recogida selectiva de productos y embalajes usados permite el reciclaje de materiales y su reutilización. La reutilización de materiales reciclados contribuye a evitar la contaminación medioambiental y reduce la demanda de materias primas.

Las normativas municipales deben ofrecer la recogida selectiva de productos eléctricos del hogar, en puntos municipales previstos para tal fin o a través del distribuidor cuando adquiera un nuevo producto.

Garantía

Black & Decker confía plenamente en la calidad de sus productos y ofrece una garantía extraordinaria. Esta declaración de garantía es un añadido, y en ningún caso un perjuicio para sus derechos legales. La garantía es válida dentro de los territorios de los Estados miembros de la Unión Europea y de los de la Zona Europea de Libre Comercio.

Si un producto Black & Decker resultara defectuoso debido a materiales o mano de obra defectuosos o a la falta de conformidad, Black & Decker garantiza, dentro de los 24 meses de la fecha de compra, la sustitución de las piezas defectuosas, la reparación de los productos sujetos a un desgaste y rotura razonables o la sustitución de tales productos para garantizar al cliente el mínimo de inconvenientes, a menos que:

- ◆ El producto se ha utilizado con propósitos comerciales, profesionales o de alquiler.
- ◆ El producto se ha sometido a un uso inadecuado o negligente.
- ◆ El producto ha sufrido daños causados por objetos o sustancias extrañas o accidentes.
- ◆ Se hayan realizado reparaciones por parte de personas que no sean del servicio técnico autorizado o personal de servicios de Black & Decker.

Para reclamar en garantía, será necesario que presente la prueba de compra al vendedor o al agente de servicio técnico autorizado. Puede consultar la dirección de su agente de servicio técnico más cercano si se pone en contacto con la oficina local de Black & Decker en la dirección que se indica en este manual. Como opción alternativa, puede consultar la lista de los agentes de servicio técnico autorizados de Black & Decker y obtener la información completa de nuestros servicios de posventa y los contactos disponibles en la siguiente dirección de Internet: www.2helpU.com

Visite el sitio web www.blackanddecker.es para registrar su nuevo producto Black & Decker y estar al día sobre productos y ofertas especiales. Encontrará información adicional sobre la marca Black & Decker y nuestra gama de productos en www.blackanddecker.es.

Utilização prevista

O seu Rolo Rápido™ Black & Decker foi concebido para pintar paredes e tectos. Este aparelho destina-se apenas a utilização doméstica em interiores.

Instruções de segurança



Atenção! Leia com atenção todos os avisos de segurança e instruções. O não cumprimento dos seguintes avisos e instruções pode resultar em ferimentos.

- ◆ Leia cuidadosamente o manual completo antes de utilizar este aparelho.
- ◆ A utilização prevista para este aparelho está descrita no manual. A utilização de qualquer acessório ou a realização de qualquer operação com este aparelho que não se inclua no presente manual de instruções poderá representar um risco de ferimentos pessoais.
- ◆ Conserve este manual para referência futura.

Utilização do aparelho

- ◆ Nunca utilize produtos de desincrustação, aromáticos, alcoólicos ou detergentes no rolo rápido, uma vez que o poderão danificar ou tornar a sua utilização perigosa.

Após a utilização

- ◆ Quando não estiver em utilização, o aparelho deve ser guardado num local seco.
- ◆ As crianças não devem ter acesso aos aparelhos armazenados.

Inspeção e reparações

- ◆ Antes da utilização, verifique se existem peças danificadas ou avariadas no aparelho. Verifique se há peças partidas, danos nos interruptores ou outro tipo de condições que possam afectar o seu funcionamento.
- ◆ Não utilize o aparelho se alguma das suas peças estiver danificada ou avariada.
- ◆ Mandar reparar ou substituir quaisquer peças danificadas ou avariadas por um agente de reparação autorizado.
- ◆ Nunca tente retirar ou substituir quaisquer peças que não as especificadas neste manual.

Segurança de terceiros

- ◆ Este aparelho não deve ser utilizado por pessoas (incluindo crianças) que apresentem capacidades físicas, sensoriais ou mentais reduzidas ou que não possuam os conhecimentos e a experiência necessários, excepto se forem vigiadas e instruídas acerca da utilização do aparelho por uma pessoa responsável pela sua segurança.
- ◆ As crianças deverão ser vigiadas para que não mexam no aparelho.

Riscos residuais.

Podem surgir riscos residuais adicionais durante a utilização da ferramenta que poderão não constar nos avisos de segurança incluídos. Estes riscos podem resultar de má utilização, uso prolongado, etc.

Mesmo com o cumprimento dos regulamentos de segurança relevantes e com a implementação de dispositivos de segurança, alguns riscos residuais não podem ser evitados. Estes riscos incluem:

- ◆ Ferimentos causados pelo contacto com peças em movimento.
- ◆ Ferimentos causados durante a troca de peças ou acessórios.
- ◆ Ferimentos causados pela utilização prolongada do aparelho. Quando utilizar um aparelho durante um período prolongado, faça intervalos regulares.

Rótulos do aparelho

A ferramenta apresenta os seguintes pictogramas:



Atenção! Para reduzir o risco de ferimentos, o utilizador deve ler o manual de instruções.



Atenção! Utilize apenas líquidos não inflamáveis.



Atenção! Mantenha as outras pessoas afastadas.



Atenção! Utilize uma máscara anti-poeira.



Atenção! Utilize óculos de protecção.

Características

Este aparelho inclui algumas ou todas as seguintes características:

1. Êmbolo
2. Gatilho
3. Reservatório de tinta
4. Suporte de descanso
5. Válvula de enchimento
6. Botão de rotação da cabeça
7. Cabeça do rolo
8. Rolo
9. Tabuleiro colector

Montagem

Fixar a pega (fig. A)

- ◆ Faça deslizar a pega (10) para o interior do reservatório de tinta(3), certificando-se de que o anel cor-de-laranja (11) coincide com a pega (3).
- ◆ Enrosque o anel cor-de-laranja (11) na rosca da pega (3) e aperte.

Fixar a cabeça do rolo (fig. B)

- ◆ Faça deslizar o conjunto da pega (12) para o interior da cabeça do rolo (7), certificando-se de que o anel circular (O-ring) (13) fica fixo no interior da cabeça do rolo (7) e que o anel preto (14) coincide com a cabeça do rolo (7).
- ◆ Enrosque o anel preto (14) na rosca da cabeça do rolo (7) e aperte.

Fixar um rolo na cabeça do rolo (fig. C)

- ◆ Lubrifique as pontas (15) da extremidade do suporte do rolo (16) utilizando um gel à base de petróleo.
- ◆ Faça deslizar o conjunto do rolo (8) para o interior do suporte do rolo (16).

Nota: Certifique-se de que o conjunto do rolo encaixa no clipe de bloqueio na tampa exterior da extremidade do rolo.

Fixar o tabuleiro colector (fig. D)

O tabuleiro colector ajuda a reduzir os salpicos e pingos durante a pintura, particularmente em tectos.

- ◆ Fixe o tabuleiro colector (9) no suporte do rolo (16) de forma a ficar encaixado em torno do rolo (8).
- ◆ Rode o tabuleiro colector para a posição pretendida.

Nota: O tabuleiro colector também é útil para evitar pingos quando o Rolo Rápido™ não está a ser utilizado e está pousado no suporte de descanso. Coloque o tabuleiro colector sob o rolo.

Utilização

Atestar com tinta (fig. E e F)

Nota: Ao utilizar o Rolo Rápido™ na primeira aplicação, a maior parte da tinta é retirada do respectivo reservatório para impregnar a cobertura do rolo. Poderá ser necessário atestar uma segunda vez.

- ◆ Insira a extremidade pequena do tubo de enchimento (17) através do orifício do lado inferior do clipe para recipiente de tinta (18). Empurre suavemente até que encaixe no respectivo local.
- ◆ Coloque o clipe para recipiente de tinta (18) sobre a extremidade do recipiente de tinta .

Nota: Para recipientes mais profundos, instale uma secção de tubagem transparente de 19 mm de diâmetro interno sobre os filetes do tubo de enchimento para o prolongar, e aperte

na parte lateral do balde com o clipe para recipiente do tubo de enchimento. Corte a extremidade inferior da tubagem num ligeiro ângulo. A tubagem encontra-se disponível na maioria das lojas de bricolage.

- ◆ Lubrifique a extremidade do tubo de enchimento (17) com uma pequena quantidade de gel à base de petróleo.
- ◆ Segure o Rolo Rápido™ num ângulo de 45° e coloque a válvula de enchimento (5) sobre o tubo de enchimento (17). Empurre suavemente o Rolo Rápido™ para baixo para que cubra completamente o tubo de enchimento.

Nota: Certifique-se de que o tampão de enchimento cor-de-laranja (19) está totalmente coberto pelo revestimento do clipe para recipiente.

- ◆ Puxe com firmeza o pistão (1) totalmente para trás para extrair tinta para o Rolo Rápido™, certificando-se de que aplica a pressão suficiente para manter uma união apropriada entre a válvula e o tubo de enchimento.
- ◆ Levante devagar o Rolo Rápido™ do tubo de enchimento.

Nota: Se o rolo não for completamente atestado da primeira vez, empurre lentamente o pistão para repor a tinta no recipiente e volte a puxar o pistão, certificando-se de que o ângulo está correcto e de que o tampão de enchimento cor-de-laranja se encontra completamente encaixado.

Ajustar o ângulo da cabeça do rolo (fig. G e H)

A cabeça do rolo pode ser ajustada para três ângulos diferentes.

- ◆ Mantenha premido o botão de rotação cor-de-laranja (6) da cabeça do rolo (7).
- ◆ Rode a cabeça do rolo (7) para o ângulo necessário.

Nota: Utilize um ângulo direito para pintura geral e ângulos de 40° ou 80° para locais de difícil acesso ou ao pintar junto ao tecto ou sancas.

Nota: É possível rodar o punho (10) para tornar mais confortável a pintura com um suporte de rolo angulado. Para rodar o punho para a posição desejada, solte o mandril (11), ajuste o punho e volte a apertar o mandril (fig. H).

Pintar com o Rolo Rápido™ (fig. I e J)

- ◆ Comece por utilizar o rolo na parede, empurrando o punho do pistão (1) ou premindo o gatilho(2) para alimentar tinta para a cobertura do rolo.

Nota: A saturação inicial do rolo poderá consumir toda a tinta da primeira alimentação. Encha o Rolo Rápido™ conforme necessário.

Sugestões úteis

- ◆ Só será necessário premir o gatilho quando for necessária tinta.
- ◆ Se obter um padrão pontilhado ao pintar, aplique mais tinta.
- ◆ Se o rolo deslizar na superfície, aplique menos tinta.

- ◆ Poderá notar a presença de gel à base de petróleo no punho. Isto é necessário, ajudando na utilização do rolo. Não afecta a tinta.
- ◆ Quando não estiver a ser utilizado, pouse o Rolo Rápido™ no suporte de descanso (4) com o tabuleiro colector (9) preso e posicionado sob o rolo.

Repor o excesso de tinta na lata (fig. K - M)

- ◆ Coloque o polegar sobre o tampão de enchimento cor-de-laranja (19).
- ◆ Puxe o pistão (1) para trás para extrair o excesso de tinta do suporte do rolo para o tubo.
- ◆ Segure o Rolo Rápido™ num ângulo de 45° e coloque a válvula de enchimento (5) sobre o tubo de enchimento (17). Empurre suavemente o Rolo Rápido™ para baixo para que cubra completamente o tubo de enchimento.

Nota: Certifique-se de que o tampão de enchimento cor-de-laranja (19) está totalmente coberto pelo revestimento do clip para recipiente.

- ◆ Empurre o pistão completamente para dentro do tubo.
- ◆ Remova o rolo (8) segurando na tampa da extremidade exterior (20) e no suporte do rolo (16) e utilizando o polegar da outra mão para empurrar o rolo

Nota: Utilize luvas descartáveis ou um saco plástico sobre o rolo para manter as mãos limpas.

- ◆ Raspe o eventual excesso de tinta do rolo para a lata.
- ◆ Remova a tampa da extremidade interior inserindo o tubo de metal do suporte do rolo cerca de 2-3 centímetros na tampa, em ângulo.
- ◆ Puxe suavemente o suporte do rolo para si.
- ◆ Retire o condutor do rolo.
- ◆ Esvazie a tinta eventualmente remanescente.
- ◆ Remova a tampa exterior (20) inserindo o suporte do rolo no rolo e empurrando suavemente a tampa.

Sugestões para uma utilização ideal

- ◆ Utilize sempre uma cobertura perfurada de Rolo Rápido™ da Black & Decker (Número de acessório: BDPRA09-XJ & BDPRA18-XJ). As coberturas de rolo padrão não funcionam.
- ◆ Antes de pintar, verifique a presença de cotão na cobertura do rolo. Se necessário, lave-o e seque-o antes da utilização.
- ◆ Ao utilizar o Rolo Rápido™ na primeira aplicação, a maior parte da tinta do tubo do Rolo Rápido™ será utilizada para impregnar a cobertura do rolo. Poderá ser necessário atestar uma segunda vez.
- ◆ Mantenha o rolo em movimento enquanto empurra o pistão para dentro ou aperta o gatilho para evitar que pingue.
- ◆ Deixe de empurrar o pistão para dentro ou apertar o gatilho se o rolo começar a derrapar, deslizar ou pingar.
- ◆ Ao pintar em áreas estreitas, encha parcialmente o Rolo Rápido™ ou rode o suporte. Assim, reduzirá o compri-

mento total do rolo.

- ◆ Se não utilizar o Rolo Rápido™ durante um período de tempo mais longo, embrulhe-o num saco plástico para evitar que seque, removendo todo o ar possível do saco.
- ◆ Certifique-se de que o tipo de tinta utilizado pode ser limpo com essências minerais (para tintas com base oleosa) ou uma solução de água morna e sabão (para tintas aquosas)
- ◆ Utilize coberturas adequadas para proteger o chão e os objectos na sala que pretende evitar salpicar acidentalmente com tinta.
- ◆ Ao utilizar o suporte de descanso, rode sempre a cabeça para a posição vertical e liberte pressão puxando o pistão ligeiramente para fora.

Manutenção e limpeza

Limpar o Rolo Rápido™ (fig. O - T)

- ◆ Retire a manga do rolo.
- ◆ Empurre o tubo de enchimento directamente para a válvula de enchimento. Ao limpar tintas aquosas, submerja o tubo de enchimento em água morna com sabão e puxe e empurre o pistão pelo menos cinco vezes. Ao utilizar tintas com base oleosa, em vez de água utilize um solvente de limpeza adequado, listado no recipiente do fabricante, eliminando-o de forma adequada.

Nota: Utilize um lavatório, uma tina de lavagem ou qualquer outro contentor que retenha a água para efectuar o processo de lavagem acima descrito. Substitua a água quando estiver suja ou ao prosseguir para o passo seguinte.

- ◆ Retire o tubo de enchimento. Em seguida submerja o suporte do rolo, certificando-se de que a válvula de enchimento também se encontra debaixo de água, e puxe e empurre o pistão pelo menos cinco vezes (fig. P).

Nota: Se utilizar um recipiente pequeno, rode o suporte do rolo para a posição de 80 graus para que caiba no recipiente (fig. Q).

- ◆ Remova o suporte do rolo e continue a limpeza, conforme necessário. Submerja o punho em água morna com sabão e puxe e empurre o pistão pelo menos cinco vezes.

Nota: Limpe os restos de tinta da extremidade do pistão (1).

- ◆ Desenrosque a tampa da válvula (19) e remova o vedante da escova (22) e a válvula bico de pato (21) para os limpar. Enxágue todas as outras peças e escorra todo o fluido do Rolo Rápido™ (fig. S).
- ◆ Remova a tubagem do suporte (se necessário) exercendo pressão sobre os grampos do tubo. Lave o suporte e a tubagem. Substitua a tubagem e fixe-a com os grampos do tubo (24) (fig. T).

Nota: Adquira sempre uma cobertura perfurada de Rolo Rápido™ da Black & Decker (Número de acessório: BDPRA09-XJ & BDPRA18-XJ). Um rolo padrão não serve.

Lubrificar o Rolo Rápido™ (fig. U - X)

A lubrificação facilita o normal funcionamento, devendo ser efectuada após a limpeza e antes de cada utilização.

- ◆ Rode o anel roscado do conjunto (11) junto ao gatilho no sentido oposto ao dos ponteiros do relógio até que o conjunto do tubo principal deslize para fora.

Nota: Ao voltar a montar, o anel roscado cor-de-laranja (11) deverá apontar para o punho do gatilho.

- ◆ Aplique gel à base de petróleo em redor dos vedantes de borracha e entre os mesmos(25). Volte a montar o conjunto, certificando-se de que os vedantes de borracha não se encontram torcidos nem danificados. Aperte o anel de bloqueio.
- ◆ Aplique gel à base de petróleo na válvula bico de pato (21) e no vedante da escova (22) e reponha a tampa da válvula (19) no interior da rosca da unidade.
- ◆ Aplique gel à base de petróleo nos vedantes internos das tampas das extremidades (26) e monte o rolo, colocando o condutor (27) no interior da cobertura do rolo (28) e fixando as tampas das extremidades conforme apresentado.

Protecção do ambiente



Recolha separada. Este produto não pode ser eliminado juntamente com os resíduos domésticos normais.

Se, em algum momento, for necessário substituir este produto Black & Decker ou se este deixar de ter utilidade, não elimine o produto num caixote do lixo. Este produto pode ser separado para reciclagem.



A recolha separada de produtos e embalagens usados permite que os materiais sejam reciclados e reutilizados. A reutilização de materiais reciclados ajuda a evitar a poluição ambiental e reduz a procura de matérias-primas.

A legislação local poderá prever a recolha separada de produtos domésticos eléctricos, seja em lixeiras municipais ou através do revendedor quando adquire um produto novo.

A Black & Decker dispõe de instalações para recolha e reciclagem de produtos Black & Decker quando estes atingem o fim da vida útil. Para usufruir deste serviço, devolva o produto em qualquer agente de reparação autorizado, que os recolherá em seu nome.

Pode verificar a localização do agente de reparação autorizado mais perto de si, contactando os escritórios locais da Black & Decker através do endereço indicado neste manual. Se preferir, pode encontrar na Internet uma lista de agentes

de reparação autorizados Black & Decker, detalhes completos e contactos do serviço pós-venda, no endereço: www.2helpU.com

Dados técnicos

		BDPR400
Capacidade	ml	650
Peso	kg	1,4

Garantia

A Black & Decker confia na qualidade dos seus produtos e oferece uma garantia excelente. Esta declaração de garantia é um complemento dos seus direitos estabelecidos por lei, não os prejudicando de forma alguma. A garantia é válida nos territórios dos Estados Membros da União Europeia e da Associação Europeia de Comércio Livre.

Se um produto Black & Decker avariar devido a defeitos de material, fabrico ou não conformidade, num período de 24 meses após a data da compra, a Black & Decker garante a substituição das peças defeituosas, a reparação de produtos sujeitos a um desgaste aceitável ou a substituição dos mesmos para garantir o mínimo de inconvenientes ao cliente, excepto se:

- ◆ o produto tiver sido utilizado para fins comerciais, profissionais ou de aluguer;
- ◆ o produto tiver sido submetido a utilização indevida ou negligência;
- ◆ o produto tiver sido danificado por objectos ou substâncias estranhas, bem como acidentes;
- ◆ tiverem sido tentadas reparações por pessoas que não sejam agentes de reparação autorizados ou técnicos de manutenção da Black & Decker.

Para accionar a garantia, terá de apresentar comprovativos de compra ao vendedor ou a um agente de reparação autorizado. Pode verificar a localização do agente de reparação autorizado mais perto de si, contactando os escritórios locais da Black & Decker através do endereço indicado neste manual. Se preferir, está disponível na Internet uma lista de agentes de reparação autorizados Black & Decker, com os contactos e detalhes completos do serviço pós-venda, no endereço: www.2helpU.com

Visite o nosso website www.blackanddecker.pt para registar o novo produto Black & Decker e manter-se actualizado relativamente a novos produtos e ofertas especiais. Pode encontrar mais informações sobre a marca Black & Decker e sobre a nossa gama de produtos em www.blackanddecker.pt

Användningsområde

Black & Deckers Speedy Roller™ är avsedd för målning av väggar och tak. Redskapet är endast avsett för inomhusbruk i hemmet.

Säkerhetsföreskrifter



Varning! Läs alla säkerhetsföreskrifter och alla anvisningar. Fel som uppstår till följd av att säkerhetsföreskrifterna och anvisningarna nedan inte följts kan leda till skador.

- ◆ Läs hela den här bruksanvisningen noggrant innan du använder apparaten.
- ◆ Använd apparaten på det sätt som beskrivs i den här bruksanvisningen. Använd inte apparaten med andra tillbehör än de som rekommenderas i den här bruksanvisningen och inte heller till andra användningsområden eftersom det kan leda till personskador.
- ◆ Behåll den här bruksanvisningen för framtida referens.

Använda redskapet

- ◆ Håll aldrig i avkalkningsmedel, aromatiska ämnen, alkoholhaltiga vätskor eller rengöringsmedel i din Speedy Roller eftersom den kan skadas eller bli farlig att använda.

Efter användning

- ◆ När det inte används bör redskapet förvaras torrt.
- ◆ Placera redskapet på ett ställe där barn inte kan komma åt det.

Kontroll och reparationer

- ◆ Innan användning bör du kontrollera att apparaten är hel och att inga delar är skadade. Kontrollera att inga delar är trasiga, att strömbrytaren fungerar och att inget annat föreligger som kan påverka apparatens funktion.
- ◆ Använd inte apparaten om någon del har skadats eller gått sönder.
- ◆ Reparera eller byt ut skadade eller trasiga delar på en auktoriserad verkstad.
- ◆ Försök aldrig ta bort eller byta ut andra delar än de som anges i den här bruksanvisningen.

Säkerhet för andra

- ◆ Redskapet ska inte användas av personer (inklusive barn) med nedsatt fysisk eller psykisk förmåga eller bristande erfarenhet och kunskap om de inte får vägledning och övervakas av en person som ansvarar för deras säkerhet.
- ◆ Barn ska hållas under uppsikt så att de inte leker med verktyget.

Övriga risker.

Ytterligare risker som inte finns med i de bifogade säkerhetsföreskrifterna kan uppstå när verktyget används. Dessa risker kan uppstå vid felaktig användning, långvarig användning, o.s.v.

Även om alla relevanta säkerhetsföreskrifter följs och säkerhetsanordningar används kan vissa ytterligare risker inte undvikas. Dessa innefattar:

- ◆ Skador orsakade av att rörliga delar vidrörs.
- ◆ Skador som uppstår vid byte av delar eller tillbehör.
- ◆ Skador som orsakas av långvarig användning av apparaten. Se till att med jämna mellanrum ta en vilopaus när du använder apparater under en längre period.

Etiketter på apparaten

Följande symboler finns på redskapet:



Varning! Läs bruksanvisningen före användning för att minska risken för olyckor.



Varning! Använd enbart brandsäkra vätskor.



Varning! Håll åskådare borta.



Varning! Använd ansiktsmask.



Varning! Använd säkerhetsglasögon.

Funktioner

Detta redskap har några eller samtliga av följande funktioner.

1. Kolv
2. Utlösare
3. Färgbehållare
4. Stöd
5. Påfyllningsventil
6. Vridknapp
7. Rollerhuvud
8. Roller
9. Dropptråg

Montering

Montera handtaget (fig. A)

- ◆ För in skafvet (10) i färgbehållaren (3) och se till att den orangefärgade hylsan (11) möter skafvet (3).

- ◆ Gånga på den orangefärgade hylsan(11) på skaffet (3) och dra åt.

Montera rollerskaffet (fig. B)

- ◆ Fäst skaffet (12) på rollerskaffet (7) och se till att O-ringen (13) placeras i rollerskaffet (7) och att den svarta hylsan (14) möter rollerskaffet (7).
- ◆ Gånga på den svarta hylsan(14) på rollerskaffet (7) och dra åt.

Montera en roller på rollerskaffet (fig. C)

- ◆ Smörj båda ändarna(15) av rollern (16) med vaselin.
- ◆ Fäst rollern (8) på bygel (16).

Obs! Se till att rollern fäst med låsklämman på locket längst ut på rollern.

Montera dropptråget (fig. D)

Dropptråget hjälper till att minimera färgstänk och –dropp, särskilt mot tak.

- ◆ Kläm fast dropptråget (9) på bygel (16) så att den täcker rollern (8).
- ◆ Vrid dropptråget till önskat läge.

Obs! Dropptråget kan även användas för att förhindra dropp när Speedy Roller™ vilar på stödet och inte används. Placera dropptråget under rollern.

Användning

Fyll med färg (fig. E och F)

Obs! När du använder Speedy Roller™ för den första strykningen kommer det mesta av färgen i färgbehållaren att gå åt till att mätta rollern. En andra påfyllning kan behövas.

- ◆ För in den mindre änden av påfyllningstuben (17) genom hålet på undersidan av färgburksklämman(18). Tryck försiktigt tills det fäster med ett klick.
- ◆ Placera färgburksklämman(18) över kanten på färgburken.

Obs! För djupare käril placerar du en transparent tub med innerdiametern 19 mm över påfyllningstubens kant för att utvidga det och fäster det mot hinken med påfyllningstubens klämmor. Klipp av botten på tuben i en svag vinkel. Tuber finns hos de flesta byggvaruhandlare.

- ◆ Smörj toppen av påfyllningstuben (17) med en liten mängd vaselin.
- ◆ Håll Speedy Roller™ i 45° vinkel och placera påfyllningsventilen (5) över påfyllningstuben (17). Tryck försiktigt ned Speedy Roller™ så att den täcker påfyllningstuben helt och hålet.

Obs! Se till att det orangefärgade påfyllningshöljet (19) helt omsluts av höljet på burkens clip.

- ◆ Dra tillbaka kolven (1) helt och hålet för att suga färg till Speedy Roller™ och se till att trycket är tillräckligt högt så att påfyllningsventilen och påfyllningstuben sammankopplas ordentligt.

- ◆ Dra sakt ut Speedy Roller™ från påfyllningstuben.

Obs! Om den första påfyllningen inte blir tillräcklig trycker du sakt ner kolven på nytt och låter färgen rinna tillbaka ner i burken och därefter drar du tillbaka kolven och ser till att vinkeln är korrekt och att det orangefärgade påfyllningshöljet sitter ordentligt.

Justera rollerns vinkel (fig. G och H)

Rollern kan justeras i tre olika vinklar.

- ◆ Tryck och håll ned den orangefärgade vridknappen(6) på rollerns skaft (7).
- ◆ Placera rollern (7) i önskad vinkel.

Obs! Använd rak vinkel för allmän målning och 40° eller 80° för svåråtkomliga områden eller om du målar nära tak eller kanter.

Obs! Skaffet (10) kan vridas för att öka komforten när du målar med en vinklad roller. Du vrider skaffet till önskad position genom att lossa hylsan (11), justera skaffet och skruva tillbaka hylsan (fig H).

Måla med Speedy Roller™ (fig. I och J)

- ◆ Börja rolla väggen och tryck kolvskaftet (1) eller tryck på utlösaren (2) för att mata färg till rollern.

Obs! Vid första färgpåfyllningen kanske rollern förbrukar hela färgmängden från första påfyllningen. Fyll på Speedy Roller™ efter behov.

Tips

- ◆ Du behöver bara klämma på utlösaren när färg behöver fyllas på.
- ◆ När färgmönstret blir prickigt fyller du på mer färg.
- ◆ Om rollern glider på ytan minskar du färgpåfyllningen.
- ◆ Vaselin kan hamna inuti skaffet. Detta är nödvändigt och underlättar arbetet och påverkar inte färgen.
- ◆ När den inte används later du Speedy Roller™ vila mot stödet (4) med dropptråget (9) monterat och placerat under rollern.

Håll tillbaka överbliven färg i färgburken (fig. K - M)

- ◆ Placera tummen över den orangefärgade påfyllningshöljet (19).
- ◆ Dra tillbaka kolven (1) för att mata tillbaka överbliven färg från rollern till tuben.
- ◆ Håll Speedy Roller™ i 45° vinkel och placera påfyllningsventilen (5) över påfyllningstuben (17). Tryck försiktigt ned Speedy Roller™ så att den täcker påfyllningstuben helt och hålet.

Obs! Se till att det orangefärgade påfyllningshöljet (19) helt omsluts av höljet på burkens clip.

- ◆ Tryck kolven hela vägen in i tuben.
- ◆ Du tar bort rollern (8) genom att ta tag längst ut på rollern(20) och greppa bygel (16) och pressa ut rollern med tummen på den andra handen

Obs! Använd engångshandskar eller en trä- eller en plastpåse över rollern för att skydda händerna.

- ◆ Skrapa bort överbliven färg från rollern i burken.
- ◆ Ta bort locket längst in på rollern genom att placera rollerbygelns metalltub ca 2-3 centimeter in i höljet och i vinkel.
- ◆ Dra försiktigt bygel mot dig.
- ◆ Ta bort rollerns insats.
- ◆ Håll ut all återstående färg.
- ◆ Du tar bort det yttre höljet (20) genom att föra in bygel i rollern och försiktigt snäppa av locket.

Råd för optimal användning

- ◆ Använd endast en perforerat rollerskydd av typen Black & DeckerSpeedy Roller™ (Tillbehörsartikelnummer: BDPRA09-XJ & BDPRA18-XJ). Rollerskydd av standardformat fungerar inte.
- ◆ Innan du målar bör du ta bort eventuella noppor från rollerskyddet eller tvätta och torka det innan användning.
- ◆ När du använder Speedy Roller™ för den första strykningen kommer det mesta av färgen i Speedy Roller™-tuben gå åt till att mätta rollerskyddet. En andra påfyllning kan behövas.
- ◆ Håll rollern i rörelse medan du pressar in kolven eller klämmer utlösaren för att förhindra dropp.
- ◆ Sluta pressa in kolven eller klämma utlösaren om rollern börjar kana, glida eller droppa.
- ◆ Om du målar i svåråtkomliga områden fyller du Speedy Roller™ delvis eller lutar bygel. Detta minskar den totala längden.
- ◆ Om du lämnar Speedy Roller™ under en längre tid trär du en plastpåse över rollern för att förhindra att den torkar och ta bort så mycket hår som möjligt från påsen.
- ◆ Se till att den färgtyp du använder kan rengöras antingen med mineralterpentin (för oljebaserade färger) eller en lösning med varmt vatten och tvål (för vattenlösliga färger).
- ◆ Täck över golvet och allt annat i närheten som du vill skydda från oavsiktligt färgstänk.
- ◆ Om du använder stödet ska du alltid placera rollern i rak vinkel och låta på trycket genom att pressa ut kolven något.

Underhåll och rengöring

Rengöra Speedy Roller™ (fig. O till T)

- ◆ Ta bort rollerns fodral.
- ◆ Tryck in påfyllningstuben direkt i tuben. Rengör vattenlöslig färg genom att doppa påfyllningstuben i varmt vatten med rengöringsmedel och drar kolven fram och tillbaka fem gånger eller mer. Om du använder oljebaserade färger använder du istället för vatten lämpligt lösningsmedel som anges på tillverkarens behållare och kasserar därefter på lämpligt vis.

Obs! Använd en diskho, tvättbalja eller en behållare som rymmer vatten för ovanstående rengöringsarbeten. Byt ut vattnet när det blir smutsigt eller när du går vidare till nästa steg.

- ◆ Ta bort påfyllningstuben. Doppa sedan rollerbygel och se till att även påfyllningsventilen är under vatten och dra därefter kolven fram och tillbaka fem gånger eller mer (fig. P).

Obs! Om du använder en liten behållare vinklar du rollerbygel till 80-gradersstrecket så att den får plats i behållaren (fig. Q).

- ◆ Ta bort rollerbygel och rengör efter behov. Doppa skaffet i det varma vattnet med rengöringsmedel och drar kolven fram och tillbaka fem gånger eller mer.

Obs! Torka av eventuella färgrester från kolvens ände (1).
 ◆ Skruva av ventilhöljet (19) och ta bort avstrykaren (22) och läppventilen (21) för rengöring. Skölj återstående delar och tappa ur all vätska från Speedy Roller™ (fig. S).
 ◆ Ta bort tuben från bygel (vid behov) med slangklämmer. Spola rent bygel och tuben. Byt ut tuben och fäst med slangklämmer (24) (fig. T).

Obs! Köp alltid perforerade rollerskydd av typen Black & DeckerSpeedy Roller™ (Tillbehörsartikelnummer: BDPRA09-XJ & BDPRA18-XJ). Rollers av standardtyp fungerar inte.

Smörja Speedy Roller™ (fig. U till X)

Smörjning underlättar normal användning och ska utföras efter rengöring och innan användning.

- ◆ Vrid skruvhylsan (11) intill utlösaren moturs tills huvudtuben glider av.

Obs! Vid återmontering ska den orangefärgade hylsan (11) sitta mot utlösaren.

- ◆ Applicera vaselin runt om och emellan gummipackningarna (25). Se till att gummitätningarna inte vrids eller skadas vid återmonteringen. Dra åt låshylsan.
- ◆ Applicera vaselin på läppventilen (21) och avstrykaren (22) och skruva tillbaka ventilhöljet (19).
- ◆ Applicera vaselin på ändlockens (26) innerförslutningar och montera rollern genom att placera insatsen (27) inuti rollerhöljet (28) och fästa ändlocken enligt anvisningarna.

Skydda miljön



Separat insamling. Produkten får inte kastas i hushållssoporna.

Tänk på miljön när du slänger denna Black & Decker-produkt. Släng den inte tillsammans med hushållsavfallet. Lämnar produkten för separat insamling.



Insamling av uttjänta produkter och förpackningsmaterial gör att material kan återanvändas. Användning av återvunnet material minskar föroreningar av miljön och behovet av råmaterial.

Lokala föreskrifter kan kräva separat insamling av elprodukter från hushållen, vid kommunala insamlingsplatser eller hos återförsäljaren när du köper en ny produkt.

Black & Decker samlar in och återvinner uttjänta Black & Decker-produkter. Om du vill utnyttja denna tjänst återlämnar du produkten till en auktoriserad verkstad, som samlar in den för vår räkning.

För information om närmaste auktoriserade verkstad, kontakta det lokala Black & Decker-kontoret på den adress som är angiven i bruksanvisningen. En lista över alla auktoriserade Black & Decker-verkstäder samt servicevillkor finns på Internet: www.2helpU.com

Tekniska data

		BDPR400
Kapacitet	ml	650
Vikt	kg	1,4

Garanti

Black & Decker garanterar att produkten är fri från material- och/eller fabriktionsfel vid leverans till kund. Garantin gäller utöver konsumentens rättigheter enligt lag och påverkar inte dessa. Garantin gäller inom medlemsstaterna i Europeiska Unionen och i det Europeiska Frihandelsområdet.

Om en Black & Decker-produkt går sönder på grund av material- och/eller fabriktionsfel eller brister i överensstämmelse med specifikationen, inom 24 månader från köpet, åtar sig Black & Decker att reparera eller byta ut produkten med minsta besvär för kunden, förutom om:

- ◆ Produkten har använts i kommersiellt eller yrkesmässigt syfte eller i uthyringssyfte.
- ◆ Produkten har utsatts för felaktig användning eller skötsel.
- ◆ Produkten har skadats av främmande föremål, ämnen eller genom olyckshändelse.
- ◆ Reparation har utförts av någon annan än en auktoriserad Black & Decker-verkstad.

Vid garantianspråk ska produkten och inköpskvittot lämnas till återförsäljaren eller till en auktoriserad verkstad. För information om närmaste auktoriserade verkstad, kontakta det lokala Black & Decker-kontoret på den adress som är angiven i bruksanvisningen. En lista över alla auktoriserade Black & Decker-verkstäder samt servicevillkor finns på Internet: www.2helpU.com

Besök vår webbplats www.blackanddecker.se för att registrera din nya Black & Decker-produkt samt för att erhålla information om nya produkter och specialerbjudanden. Vidare information om märket Black & Decker och vårt produktsortiment återfinns på www.blackanddecker.se

Bruksområde

Black & Decker Speedy Roller™ er beregnet for maling av vegger og tak. Produktet er bare beregnet for innendørs bruk i hjemmet.

Sikkerhetsinstruksjoner



Advarsel! Les alle sikkerhetsadvarsler og alle instruksjoner. Hvis advarslene og instruksjonene nedenfor ikke følges, kan det medføre personskade.

- ◆ Les hele håndboken nøye før du bruker verktøyet.
- ◆ Beregnet bruk er beskrevet i denne håndboken. Hvis du bruker annet tilbehør, kobler til annet utstyr eller bruker dette apparatet til andre oppgaver enn det som er anbefalt i denne håndboken, kan det føre til fare for personskade.
- ◆ Oppbevar denne håndboken for fremtidig bruk.

Bruke verktøyet

- ◆ Ha aldri produkter for fjerning av belegg, aromatiske eller alkoholholdige produkter eller vaskemidler i Speedy Roller, da dette kan skade utstyret eller gjøre det utrygt å bruke.

Etter bruk

- ◆ Når verktøyet ikke er i bruk, skal det oppbevares på et tørt sted.
- ◆ Barn skal ikke ha tilgang til apparater som ikke er i bruk.

Kontroll og reparasjon

- ◆ Kontroller at apparatet ikke er skadet eller har defekte deler før du bruker det. Kontroller om noen av delene har sprekker, om bryterne er skadet, eller om det er andre forhold som kan påvirke bruken.
- ◆ Ikke bruk apparatet hvis noen del er skadet eller defekt.
- ◆ Overlat reparasjon eller utskifting av skadde eller defekte deler til et autorisert serviceverksted.
- ◆ Forsøk aldri å fjerne eller skifte ut andre deler enn dem som er oppgitt i denne håndboken.

Andre personers sikkerhet

- ◆ Det er ikke meningen at dette produktet skal brukes av personer (inkludert barn) med reduserte fysiske, sansemessige eller mentale evner, eller som mangler erfaring og kunnskap, med mindre de har fått oppfølging eller instruksjon når det gjelder bruken av produktet, fra en person som er ansvarlig for deres sikkerhet.
- ◆ Barn skal være under oppsyn så du er sikker på at de ikke leker med produktet.

Andre risikoeer

Ved bruk av produktet kan det oppstå ytterligere risikoeer som kanskje ikke er inkludert i sikkerhetsadvarslene som følger med. Disse risikoeene kan bli forårsaket av feil bruk, langvarig bruk osv.

Selv om de relevante sikkerhetsbestemmelsene blir fulgt, og sikkerhetstiltakene blir gjennomført, kan visse gjenværende risikoeer ikke unngås. Disse omfatter:

- ◆ Personskader som forårsakes av berøring av en bevegelig del.
- ◆ Personskader som forårsakes av at en del eller tilbehør byttes.
- ◆ Personskader som forårsakes av langvarig bruk av produktet. Når du bruker et produkt i lange perioder, må du sørge for å ta regelmessige pauser.

Merking på produktet

Følgende symboler vises på verktøyet:



Advarsel! Brukeren må lese håndboken for å redusere risikoen for personskade.



Advarsel! Bruk bare ikke-brennbare væsker.



Advarsel! Hold andre personer unna.



Advarsel! Bruk støvmaske.



Advarsel! Bruk vernebriller.

Funksjoner

Dette verktøyet har noen av eller alle funksjonene nedenfor:

1. Stempel
2. Utløser
3. Malingsbeholder
4. Stativ
5. Fyllingsventil
6. Hoderotasjonsknapp
7. Rullehode
8. Rulle
9. Dryppbrett

Montering

Feste håndtaket (figur A)

- ◆ Skyv håndtaket (10) inn i malingsbeholderen (3), og pass på at den oransje mansjetten (11) berører håndtaket (3).
- ◆ Sett den oransje mansjetten (11) på gjengene på håndtaket (3), og skru til.

Sette på rullehodet (figur B)

- ◆ Skyv håndtaksenheten (12) inn i rullehodet (7), og pass på at O-ringen (13) er plassert inne i rullehodet (7), og at den svarte mansjetten (14) berører rullehodet (7).
- ◆ Sett den svarte mansjetten (14) på gjengene på rullehodet (7), og skru til.

Sette en rulle på rullehodet (figur C)

- ◆ Smør tappene (15) i begge ender av rullerammen (16) med vaselin.
- ◆ Skyv den monterte rullen (8) inn på rullerammen (16).

Merknad: Pass på at rulleenheten klikker på plass i låseklemmen på hetten på den ytre enden av rullen.

Sette på dryppbrettet (figur D)

Dryppbrettet bidrar til å redusere sprut og drypping under malingen, spesielt når det gjelder tak.

- ◆ Sett dryppbrettet (9) på rullerammen (16) slik at det omslutter rullen (8).
- ◆ Drei dryppbrettet til ønsket stilling.

Merknad: Dryppbrettet bidrar også til å hindre drypping når Speedy Roller™ står på stativet og ikke er i bruk. Plasser dryppbrettet under rullen.

Bruk

Fylle med maling (figur E og F)

Merknad: Når du bruker Speedy Roller™ til den første påføring, benyttes det meste av malingen i malingsbeholderen til å mette trekket på rullen. Det kan være nødvendig å fylle én gang til.

- ◆ Sett den minste enden av fyllingsrøret (17) gjennom hullet på undersiden av malingsspannklemmen (18). Skyv forsiktig til det klikker på plass.
- ◆ Sett malingsspannklemmen (18) på kantene av malingspannet.

Merknad: For dypere beholdere setter du en bit klar slange med indre diameter 19 mm over rillene på fyllingsrøret for å forlenge det, og fest det til siden av spannet med spannklemmen for fyllingsrøret. Kutt den nedre enden av slangen litt på skrå. Slange kan kjøpes i de fleste verktøy- og byggevarerbutikker.

- ◆ Smør toppen av fyllingsrøret (17) med litt vaselin.

- ◆ Hold Speedy Roller™ i en vinkel på 45°, og plasser fyllingsventilen (5) over fyllingsrøret (17). Skyv Speedy Roller™ forsiktig nedover slik at den dekker fyllingsrøret helt.

Merknad: Pass på at den oransje fyllingshetten (19) er helt dekket av skjermen på spannklemmen.

- ◆ Trekk stampelet bestemt (1) helt ut for å trekke maling inn i Speedy Roller™, og pass på å benytte nok trykk til å opprettholde tilstrekkelig kontakt mellom fyllingsventilen og fyllingsrøret.
- ◆ Løft Speedy Roller™ langsomt av fyllingsrøret.

Merknad: Hvis du ikke får fylt beholderen helt første gang, skyver du stampelet langsomt for å føre maling tilbake i spannet, og så trekker du stampelet ut idet du passer på at vinkelen er korrekt, og at den oransje fyllingshetten sitter på plass.

Justere vinkelen på rullehodet (figur G og H)

Rullehodet kan justeres i tre ulike vinkler.

- ◆ Trykk på og hold den oransje hoderotasjonsknappen (6) på rullehodet (7).
- ◆ Drei rullehodet (7) til den ønskede vinkelen.

Merknad: Brukes uten vinkel for vanlig maling og vinkel 40° eller 80° på vanskelig tilgjengelige steder, eller når du maler i nærheten av tak eller kanter.

Merknad: Håndtaket (10) kan dreies så det blir mer behagelig å male når rullerammen står i vinkel. Når du skal dreie håndtaket til ønsket stilling, løsner du mansjetten (11), justerer håndtaket og strammer mansjetten igjen (figur H).

Male med Speedy Roller™ (figur I og J)

- ◆ Begynn å rulle på veggen, og skyv på stempelhåndtaket (1), eller trykk på utløseren (2) for å føre maling inn i trekket på rullen.

Merknad: Det første metningen av rullen kan kreve hele mengde av maling fra den første fyllingen. Fyll Speedy Roller™ etter behov.

Nyttige tips

- ◆ Du trenger bare å trykke på utløseren når det trengs maling.
- ◆ Hvis du får et prikkemønster når du maler, tilfører du mer maling.
- ◆ Hvis rullen glir på underlaget, tilfører du mindre maling.
- ◆ Det kan hende du ser vaselin inne i håndtaket. Dette er nødvendig og får det til å fungere bedre. Det påvirker ikke malingen.
- ◆ Når den ikke er i bruk, lar du Speedy Roller™ stå på stativet (4) med dryppbrettet (9) festet og plassert under rullen.

Tilbakeføre overflødig maling til malingsspannet (figur K–M)

- ◆ Plasser tommelen over fyllingshetten (19).
- ◆ Trekk stampelet (1) ut for å trekke overflødig maling fra rullen inn i røret.
- ◆ Hold Speedy Roller™ i en vinkel på 45°, og plasser fyllingsventilen (5) over fyllingsrøret (17). Skyv Speedy Roller™ forsiktig nedover slik at den dekker fyllingsrøret helt.

Merknad: Pass på at den oransje fyllingshetten (19) er helt dekket av skjermen på spannklemmen.

- ◆ Trykk stampelet helt inn i røret.
- ◆ Ta av rullen (8) ved å holde i hetten (20) på den ytre enden og i rullerammen (16), og bruk tommelen på den andre hånden til å skyve rullen av

Merknad: Bruk engangshansker, eller trekk en plastpose over rullen for å holde hendene rene.

- ◆ Skrap eventuell overflødig maling ned i spannet fra rullen.
- ◆ Ta av hetten på den indre enden ved å sette metallrøret fra rullerammen inn i hetten ca. 2–3 cm på skrå.
- ◆ Trekk rullerammen forsiktig mot deg.
- ◆ Ta ut rullekjernen.
- ◆ Tøm ut eventuell maling som er igjen.
- ◆ Ta av den ytre hetten (20) ved å sette rullerammen inn i rullen og skyve hetten forsiktig av.

Råd for optimal bruk

- ◆ Bruk bare et perforert Black & Decker Speedy Roller™ rulletrekk (delenummer: BDPRA09-XJ & BDPRA18-XJ). Standardrulletrekk fungerer ikke.
- ◆ Undersøk om det er lo på trekket før du maler, og vask og tørk det om nødvendig før du bruker det.
- ◆ Når du bruker Speedy Roller™ til den første påføring, benyttes det meste av malingen i Speedy Roller™-røret til å mette trekket på rullen. Det kan være nødvendig å fylle én gang til.
- ◆ Hold rullen i bevegelse mens du trykker inn stampelet eller trykker på avtrekkeren, for å unngå drypping.
- ◆ Slutt å skyve inn stampelet eller trykke på utløseren hvis rullen begynner å skli eller dryppe.
- ◆ Når du arbeider på trange steder, fyller du Speedy Roller™ delvis eller dreier rammen. Dette reduserer den totale lengden.
- ◆ Når Speedy Roller™ ikke brukes i en lengre periode, har du rullen i en plastpose og klemmer ut så mye luft som mulig for å hindre at rullen tørker ut.
- ◆ Pass på at malingstypen du bruker, kan rengjøres med enten white spirit (for oljebasert maling) eller varmt såpevann (for vannløselige malinger).
- ◆ Bruk passende tildekking for å beskytte gulv og annet i rommet som du ikke vil utsette for malingsprut ved et uhell.

- ◆ Når du bruker stativet, skal du alltid dreie hodet til stillingen uten vinkel og fjerne trykket ved å trekke ut stampelet litt.

Vedlikehold og rengjøring

Rengjøre Speedy Roller™ (figur O–T)

- ◆ Ta av rulletrekket.
- ◆ Trykk fyllingsrøret direkte inn i fyllingsventilen. Når du rengjør for vannløselige malinger, dypper du fyllingsrøret i varmt såpevann og fører stampelet inn og ut fem ganger eller mer. Når du har brukt oljebasert maling, bruker ikke vann, men et passende løsemiddel for rengjøring, som oppgitt på beholderen fra produsenten, og kaster det på forsvarlig måte.

Merknad: Bruk en vask, en vaskebalje eller en annen beholder som holder på vann, til å utføre skylleprosessen ovenfor. Bytt vann når det er skittent, eller når du går til neste trinn.

- ◆ Fjern fyllingsrøret. Dypp deretter rullerammen, pass på at fyllingsventilen også er under vann, og før stampelet inn og ut fem ganger eller mer (figur P).

Merknad: Når du bruker et lite kar, dreier du rullerammen til stillingen på 80 grader for å få plass i karet (figur Q).

- ◆ Fjern rullerammen, og fortsett rengjøringen etter behov. Dypp håndtaket i varmt såpevann, og før stampelet inn og ut fem ganger eller mer.

Merknad: Tørk gjenværende maling av enden av stampelet (1).

- ◆ Skru av ventilhetten (19), og ta ut glidepakningen (22) og nebbventilen (21) for å rengjøre dem. Skyll alle gjenværende deler, og tøm Speedy Roller™ (figur S) for all væske.
- ◆ Ta slangen av rammen (ved behov) ved å klemme på slangeklemmene. Skyll rammen og slangen. Sett på plass slangen, og fest med slangeklemmer (24) (figur T).

Merknad: Kjøp alltid et perforert Black & Decker Speedy Roller™-rulletrekk (delenummer: BDPRA09-XJ & BDPRA18-XJ). Et standardrulletrekk fungerer ikke.

Smøre Speedy Roller™ (figur U–X)

Smøring bidrar til problemfri bruk og skal gjøres etter rengjøring og alltid før bruk.

- ◆ Drei den gjengede festemansjetten (11) ved utløseren mot klokken til hovedrørhøyden gir av.

Merknad: Ved monteringen skal den oransje, gjengede mansjetten (11) vende mot utløserhåndtaket.

- ◆ Ha vaselin rundt og mellom gummipakningene (25). Ved montering må du passe på at gummipakningene ikke er vridd eller skadet. Stram låsemansjetten.
- ◆ Ha vaselin på nebbventilen (21) og glidepakningen (22), og sett dem på plass i enheten ved å dreie ventilhetten (19) tilbake på plass.

- ◆ Ha vaselin på pakningene inne i endehettene (26), og sett deretter sammen rullen ved å plassere kjernen (27) i rulletrekket (28) og feste endehettene som vist.

Miljø



Separat avfallshåndtering. Dette produktet må ikke kastes sammen med husholdningsavfall.

Hvis du synes Black & Decker-produktet bør skiftes ut, eller du ikke har bruk for det lenger, må du ikke kaste det sammen med husholdningsavfall. Sørg for separat avfallshåndtering for dette produktet.



Hvis brukte produkter og emballasje leveres atskilt, kan materialer resirkuleres og brukes på nytt. Gjenbruk av resirkulerte materialer bidrar til redusert miljøforurensing og reduserer behovet for råmaterialer.

Det kan være lokale bestemmelser for separat avfallshåndtering for elektriske produkter fra husstander på kommunale avfallsplasser eller hos forhandleren, når du kjøper et nytt produkt.

Black & Decker har en ordning for innsamling og resirkulering av Black & Decker-produkter som ikke skal brukes lenger. Du kan benytte denne tjenesten ved å levere produktet til et hvilket som helst autorisert serviceverksted.

Du kan finne ut hvor nærmeste autoriserte serviceverksted er, ved å kontakte din lokale Black & Decker-avdeling på adressen som er oppgitt i denne håndboken. En oversikt over autoriserte Black & Decker-serviceverksteder og alle opplysninger om ettersalgsservice og kontakter er også tilgjengelig på Internett: www.2helpU.com

Tekniske data

		BDPR400
Kapasitet	ml	650
Vekt	kg	1,4

Garanti

Black & Decker er trygg på kvaliteten på sine produkter og tilbyr en enestående garanti. Denne garantierklæringen kommer i tillegg til dine lovbestemte rettigheter og er ikke i konflikt med disse. Garantien er gyldig i EU- og EFTA-medlemsstatene.

Hvis et Black & Decker-produkt går i stykker på grunn av material- og/eller fabrikkasjonsfeil eller har mangler i forhold til spesifikasjonene innen 24 måneder fra kjøpet, påtar Black & Decker seg å skifte ut defekte deler, reparere produkter som har vært utsatt for alminnelig slitasje, eller bytte ut slike produkter med minst mulig vanskelighet for kunden, med mindre:

- ◆ Produktet har vært brukt i yrkes-/næringsvirksomhet eller til utleie.
- ◆ Produktet har vært utsatt for feilaktig bruk eller dårlig vedlikehold.
- ◆ Produktet har blitt skadet av fremmede gjenstander eller stoffer eller ved et uhell.
- ◆ Andre enn autoriserte serviceverksteder eller Black & Deckers serviceteknikere har forsøk å reparere produktet.

For å ta garantien i bruk må du vise kjøpskvittering til forhandleren eller til et autorisert serviceverksted. Du kan finne ut hvor nærmeste autoriserte serviceverksted er, ved å kontakte din lokale Black & Decker-avdeling på adressen som er oppgitt i denne håndboken. En oversikt over autoriserte Black & Decker-serviceverksteder og alle opplysninger om ettersalgsservice og kontakter er også tilgjengelig på Internett: www.2helpU.com

Besøk vårt webområde www.blackanddecker.no for å registrere ditt nye Black & Decker-produkt og for å holde deg oppdatert om nye produkter og spesialtilbud. Du finner mer informasjon om Black & Decker og produktutvalget vårt på www.blackanddecker.no.

Anvendelsesområde

Din Black & Decker Speedy Roller™ er designet til at påføre maling på vægge og lofter. Apparatet er kun beregnet til privat brug indendørs.

Sikkerhedsanvisninger



Advarsel! Læs alle sikkerhedsadvarsler og anvisninger. Hvis nedenstående instruktioner og advarsler ikke følges, er der risiko for personskade.

- ◆ Læs hele denne vejledning omhyggeligt, før du bruger apparatet.
- ◆ Den tilsluttede brug er beskrevet i denne vejledning. Brugten af ekstraudstyr eller tilbehør eller udførelse af andet arbejde med dette apparat end det, der anbefales i denne vejledning, kan udgøre en risiko for personskade.
- ◆ Opbevar denne vejledning til senere brug.

Brug af apparatet

- ◆ Fyld aldrig kalkstensfjernere, aromatiske eller alkohol-baserede produkter eller rensesubstanter i Speedy Roller, da det kan ødelægge den eller gøre den farlig at bruge.

Efter brug

- ◆ Opbevar apparatet på et tørt sted, når det ikke er i brug.
- ◆ Børn må ikke have adgang til opbevarede apparater.

Eftersyn og reparationer

- ◆ Før brug skal apparatet kontrolleres for beskadigede eller defekte dele. Se efter knækkede dele, skader på kontakter og eventuelle andre tilstande, der kan påvirke apparatets funktion.
- ◆ Brug ikke apparatet med beskadigede eller defekte dele.
- ◆ Sørg for at få beskadigede eller defekte dele repareret eller udskiftet på et autoriseret værksted.
- ◆ Forsøg aldrig at fjerne eller udskifte dele ud over dem, der er beskrevet i denne vejledning.

Andres sikkerhed

- ◆ Dette apparat må ikke bruges af personer (herunder børn) med nedsatte fysiske, sensoriske eller mentale evner eller manglende erfaring og viden, medmindre det sker under overvågning, eller der gives instruktion i brugen af apparatet af en person, der er ansvarlig for deres sikkerhed.
- ◆ Børn skal holdes under opsyn, så det sikres, at de ikke leger med værktøjet.

Restrisici.

Der kan opstå yderligere restrisici under brugen af værktøjet, som ikke kan medtages i vedlagte sikkerhedsadvarsler. Disse risici kan opstå pga. forkert anvendelse, langvarig brug etc.

Selv ved overholdelse af relevante sikkerhedsforskrifter og anvendelse af sikkerhedsudstyr kan visse restrisici ikke undgås. Disse omfatter:

- ◆ Tilskadekomst forårsaget af berøring af bevægelige dele.
- ◆ Tilskadekomst forårsaget af udskiftning af dele eller tilbehør.
- ◆ Tilskadekomst forårsaget af langvarig brug af apparatet. Husk at holde pause jævnligt ved brug af et apparat i længere tid.

Mærkatet på apparatet

Følgende symboler er anbragt på værktøjet:



Advarsel! Brugeren skal læse brugervejledningen for at reducere risikoen for tilskadekomst.



Advarsel! Brug kun ikke-brændbare væsker.



Advarsel! Hold omkringstående på afstand.



Advarsel! Brug støvmaske.



Advarsel! Bær sikkerhedsbriller.

Funktioner

Dette apparat leveres med nogle af eller alle de følgende komponenter.

1. Stempel
2. Startknap
3. Malingsbeholder
4. Støttefod
5. Påfyldningsventil
6. Knap til hovedrotation
7. Rullehoved
8. Rulle
9. Drypbakke

Samling

Montering af håndtaget (fig. A)

- ◆ Lad håndtaget (10) glide ned i malingsbeholderen (3), og sørg for, at den orange krave (11) får kontakt til håndtaget (3).
- ◆ Skru den orange krave (11) på håndtagets (3) gevind, og stram.

Montering af rullehovedet (fig. B)

- ◆ Lad håndtagssamlingen (12) glide ind i rullehovedet (7), og sørg for, at o-ringen (13) er placeret inde i rullehovedet (7), og at den sorte krave (14) har kontakt til rullehovedet (7).
- ◆ Skru den sorte krave (14) på rullehovedets (7) gevind, og stram.

Montering af en rulle på rullehovedet (fig. C)

- ◆ Smør spidserne (15) i hver ende af rullerammen (16) med vaseline.
- ◆ Lad den samlede rulle (8) glide på rullerammen (16).

Bemærk: Sørg for, at rullesamlingen låses på plads i låseklammen på rullens yderste endehætte.

Montering af drypbakken (fig. D)

Drypbakken er med til at reducere stænk og dryp under maling, især på lofter.

- ◆ Sæt drypbakken (9) på rullerammen (16), så den passer omkring rullen (8).
- ◆ Drej drypbakken til den ønskede position.

Bemærk: Drypbakken er også nyttig til at forhindre dryp, når Speedy Roller™ hviler på støttefoden og ikke er i brug. Placer drypbakken under rullen.

Anvendelse

Påfyldning af maling (fig. E og F)

Bemærk: Når Speedy Roller™ bruges første gang, vil det meste maling i malingsbeholderen blive brugt til at mætte rullehylsteret. Det kan blive nødvendigt at påfylde igen.

- ◆ Sæt den lille ende af påfyldningsrøret (17) ind i hullet i bunden af maledåseklemmen (18). Skub forsigtigt, indtil den klikker på plads.

- ◆ Anbring maledåseklemmen (18) over maledåsens kant.

Bemærk: Ved dybere beholdere anbringes en del af et klart 19 mm rør over påfyldningsrørets ribbe for at forlænge det, og sæt det på siden af spanden med påfyldningsrørets dåseklemme. Skær bunden af røret med en lille vinkel. Røret fås i de fleste byggemarkeder.

- ◆ Smør toppen af påfyldningsrøret (17) med en lille smule vaseline.
- ◆ Hold Speedy Roller™ med en vinkel på 45°, og placer påfyldningsventilen (5) over påfyldningsrøret (17). Skub forsigtigt Speedy Roller™ ned, så den fuldstændigt dækker påfyldningsrøret.

Bemærk: Sørg for, at det orange påfyldningshættelåg (19) fuldstændig er dækket af dåseklemmens kappe.

- ◆ Træk meget fast stemplet (1) helt tilbage for at fylde maling i Speedy Roller™, og sørg for at anvende et tilstrækkeligt tryk til at opretholde passende kontakt mellem påfyldningsventilen og påfyldningsrøret.
- ◆ Løft langsomt Speedy Roller™ ud af påfyldningsrøret.

Bemærk: Hvis du den første gang ikke opnår en komplet påfyldning, skal du langsomt skubbe stemplet for at returnere maling til dåsen og derefter trække stemplet tilbage, sikre at vinklen er korrekt, og at det orange påfyldningshættelåg sidder korrekt.

Justering af rullehovedets vinkel (fig. G og H)

Rullehovedet kan indstilles i tre forskellige vinkler.

- ◆ Tryk på den orange hovedrotationsknop (6) på rullehovedet (7).
- ◆ Roter rullehovedet (7) til den ønskede vinkel.

Bemærk: Anvend lige påsætning til almindeligt malearbejde og vinkler på 40° eller 80° til sværttilgængelige steder, eller når der males tæt på loft eller kanter.

Bemærk: Håndtaget (10) kan roteres for at gøre det mere komfortabelt, når der males med en vinklet rulleramme. Håndtaget roteres til den ønskede stilling ved at løsne kraven (11), justere håndtaget og stramme kraven (fig H) igen.

Maling med Speedy Roller™ (fig. I og J)

- ◆ Begynd at rulle på væggen, og skub stempelehåndtaget, (1), eller tryk på udløseren (2) for at føde maling ind i rullehylsteret.

Bemærk: Den første mætning af rullen kan kræve al maling fra den første påfyldning. Påfyld Speedy Roller™ efter behov.

Nyttige tip

- ◆ Der skal kun trykkes på udløseren, når der er behov for maling.
- ◆ Hvis der opstår et pletmønster, når du maler, skal du bruge mere maling.
- ◆ Hvis rullen glider på overfladen, skal du bruge mindre maling.
- ◆ Du bemærker måske vaseline inden i håndtaget. Dette er nødvendigt og er med til at lette betjeningen. Det påvirker ikke malingen.
- ◆ Når Speedy Roller™ ikke anvendes, skal den hvile på støttefoden (4) med drypbakken (9) monteret og placeret under rullen.

Tilbagefyldning af overskydende maling til maledåsen (fig. K - M)

- ◆ Anbring tommelfingeren over det orange påfyldningshættelåg (19).
- ◆ Træk stemplet (1) tilbage for at trække overskydende maling fra rullerammen ned i røret.
- ◆ Hold Speedy Roller™ med en vinkel på 45°, og placer påfyldningsventilen (5) over påfyldningsrøret (17). Skub forsigtigt Speedy Roller™ ned, så den fuldstændigt dækker påfyldningsrøret.

Bemærk: Sørg for, at det orange påfyldningshættelåg (19) fuldstændig er dækket af dåseklemmens kappe.

- ◆ Skub stemplet helt ind i røret.

- ◆ Fjern rullen (8) ved at gribe den yderste endehætte (20) og rullerammen (16), og brug tommelfingeren på den anden hånd til at skubbe rullen af.

Bemærk: Bær engangshandsker, eller brug en plasticpose over rullen for at holde hænderne rene.

- ◆ Skrab eventuel overskydende maling ned i dåsen fra rullen.
- ◆ Fjern den inderste endehætte ved at indsætte rullerammens metalrør omkring 2-3 centimeter i hættens med en vinkel.
- ◆ Træk forsigtigt rullerammen mod dig.
- ◆ Fjern rullekernen.
- ◆ Tøm eventuel resterende maling.
- ◆ Fjern den yderste hætte (20) ved at indsætte rullerammen i rullen og forsigtigt skubbe hættens af.

Gode råd til optimal brug

- ◆ Brug kun et perforeret Black & Decker Speedy Roller™-rullehylster (tilbehørsnummer: BDPRA09-XJ & BDPRA18-XJ). Standardrullehylstre fungerer ikke.
- ◆ Undersøg rullehylsteret for frug, før der males. Vask og tør eventuelt før brug.
- ◆ Når Speedy Roller™ bruges første gang, vil det meste maling i Speedy Roller™-røret blive brugt til at mætte rullehylsteret. Det kan blive nødvendigt at påfylde igen.
- ◆ Sørg for at rulle konstant, mens stemplet skubbes ind, eller der trykkes på udløseren, for at forhindre dryp.
- ◆ Stop med at skubbe stemplet ind eller trykke på udløseren, hvis rullen begynder at skride, glide eller dryppe.
- ◆ Ved maling på snævre områder fyldes Speedy Roller™ delvist, eller rammen roteres. Derved reduceres den overordnede længde.
- ◆ Hvis Speedy Roller™ ikke skal bruges i en længere tidspæride, opbevares rullen i en plasticpose for at forhindre udtørring, og der fjernes så meget luft som muligt fra posen.
- ◆ Sørg for, at den anvendte type maling enten kan rengøres med mineralsk spirit (til oliebaseret maling) eller en opløsning af varmt vand og sæbe (til vandopløselig maling).
- ◆ Brug egnet afdækning til at beskytte gulve og alt andet i rum, du ikke ønsker tilsprøjtet med maling.
- ◆ Når støttefoden bruges, skal hovedet altid drejes til lige stilling, og trykket dæmpes ved at trække stemplet en smule ud.

Vedligeholdelse og rengøring

Rengøring af Speedy Roller™ (fig. O - T)

- ◆ Fjern rulleomslaget.
- ◆ Skub påfyldningsrøret direkte ind i påfyldningsventilen. Ved rengøring af vandopløselig maling nedsænkes påfyldningsrøret i varmt sæbevand, og stemplet trækkes ind og ud 5 gange eller mere. Ved anvendelse af oliebaseret maling bruges ikke vand, men det korrekte rengøringsmiddel, der er anført på fabrikantens emballage, og det bortskaffes korrekt.

Bemærk: Brug en vask, balje eller anden beholder, der kan indeholde vand til at udføre ovenstående skylleproces. Udskift vandet, når det er snavset, eller når der fortsættes med næste trin.

- ◆ Fjern påfyldningsrøret. Nedsænk derefter rullerammen, og sørg for, at påfyldningsventilen også er under vand, idet stemplet trækkes ind og ud 5 gange eller mere (fig. P).

Bemærk: Hvis der bruges en lille beholder, drejes rullerammen til en 80 graders stilling, så den passer ned i beholderen (fig. Q).

- ◆ Fjern rullerammen, og fortsæt rengøring efter behov. Nedsænk håndtaget i varmt sæbevand, og træk stemplet ind og ud 5 gange eller mere.

Bemærk: Fjern resterende maling fra enden af stemplet (1).

- ◆ Skru ventilhætten (19) af, og fjern viskerpakning (22) og andenæbsventil (21) for at rengøre. Rens alle resterende dele, og udtøm al væske fra Speedy Roller™ (fig. S).
- ◆ Fjern rør fra ramme (hvis det er nødvendigt) ved at klemme slangeklemmer. Skyl ramme og rør. Udskift rør, og fastgør med slangeklemmer (24) (fig. T).

Bemærk: Køb altid et perforeret Black & Decker Speedy Roller™-rullehylster (tilbehørsnummer: BDPRA09-XJ & BDPRA18-XJ). En standardrulle fungerer ikke.

Smøring af Speedy Roller™ (fig. U - X)

Smøring er med til at lette den normal betjening og bør udføres efter rengøring og før hver anvendelse.

- ◆ Drej den påskruede samlekrave (11) i nærheden af udløseren mod uret, indtil hovedrørsamlingen glider af.

Bemærk: Ved genmontering skal den orange påskruede krave (11) vende mod udløserhåndtaget.

- ◆ Påfør vaseline omkring og imellem gummipakninger (25). Genmonter, og sørg for, at gummipakningerne ikke er bøjet eller beskadiget. Tilspænd låsekraven.
- ◆ Påfør vaseline på andenæbsventilen (21) og viskerpakningen (22), og sæt ventilhætten (19) på plads i enhedens gevind.
- ◆ Påfør vaseline på de indvendige pakninger på endehætterne (26), og monter derefter rullen ved at anbringe kernen (27) i et rullehylster (28) og montere endehætterne som vist.

Miljøbeskyttelse



Separat bortskaffelse. Dette produkt må ikke bortskaffes sammen med almindeligt husholdningsaffald.

Når dit Black & Decker-produkt en dag er udtjent, eller du ikke længere har brug for det, må du ikke smide det ud sammen med det almindelige affald. Produktet skal bortskaffes separat.



Ved separat bortskaffelse af brugte produkter og emballage bliver der mulighed for at genanvende forskellige materialer. Genanvendelse af materialer medvirker til at forebygge miljøforurening og mindsker behovet for råstoffer.

Lokal lovgivning kan kræve separat indsamling af elektriske husholdningsapparater på kommunale affaldsdepoter eller af den detailhandlende ved køb af et nyt produkt.

Black & Decker sørger for at indsamle og genanvende Black & Decker-produkter, når disse ikke længere kan bruges. Hvis du vil benytte dig af denne service, skal du returnere produktet til et autoriseret værksted, der indsamler produkterne for os.

Kontakt det lokale Black & Decker-kontor på den adresse, der er angivet i denne vejledning, for at få oplysninger om nærmeste autoriserede værksted. En liste over alle autoriserede Black & Decker-serviceværksteder samt servicevilkår og kontaktpersoner er tilgængelig på internettet på adressen: www.2helpU.com

Tekniske data

		BDPR400
Kapacitet	ml	650
Vægt	kg	1,4

Garanti

Black & Decker garanterer, at produktet er fri for skader og fejl og tilbyder en fremragende garanti. Garantien er et tillæg til forbrugers lovsikrede rettigheder og påvirker ikke disse. Garantien gælder inden for medlemsstaterne af den Europæiske Union og i det Europæiske Frihandelsområde.

Hvis et Black & Decker-produkt går i stykker på grund af materiel skade og/eller fabrikationsfejl eller på anden måde ikke fungerer i overensstemmelse med specifikationen inden for 24 måneder fra købsdatoen, påtager Black & Decker sig at reparere eller ombytte produktet med mindst mulig ulempe for kunden. Garantien gælder ikke for fejl og mangler, der er sket i forbindelse med:

- ◆ Produktet har været anvendt erhvervsomt eller til udlejning.
- ◆ Produktet har været anvendt forkert eller er ikke vedligeholdt.
- ◆ Produktet er beskadiget af fremmedlegemer, substanser eller pga. uheld.
- ◆ Garantien gælder ikke, hvis reparationer er udført af andre end et autoriseret Black & Decker-værksted.

For at udnytte garantien skal produktet og købskvitteringen indleveres til forhandleren eller til et autoriseret værksted. Kontakt det lokale Black & Decker-kontor på den adresse, der er opgivet i denne vejledning, for at få oplysninger om nærmeste autoriserede værksted. En liste over alle autoriserede Black & Decker-serviceværksteder samt servicevilkår og kontaktpersoner er tilgængelig på internettet på adressen: www.2helpU.com

Gå venligst ind på vores website www.blackanddecker.dk for at registrere dit nye produkt og for at blive holdt ajour om nye produkter og specialtilbud. Der findes yderligere oplysninger om mærket Black & Decker og vores produktsortiment på adressen www.blackanddecker.dk

Käyttötarkoitus

Your Black & Decker Speedy Roller™ on tarkoitettu seinien ja kattojen maalaamiseen. Laite on tarkoitettu ainoastaan sisätiloissa tapahtuvaan kotitalouskäyttöön.

Turvallisuusohjeet



Varoitus! Lue kaikki turvavaroitukset ja ohjeet. Alla olevien varoitusten ja ohjeiden noudattamisen laiminlyönti saattaa johtaa loukkaantumiseen.

- ◆ Lue tämä käyttöopas huolellisesti ennen laitteen käyttöä.
- ◆ Käyttötarkoitus kuvataan tässä käyttöohjeessa. Muiden kuin tässä käyttöohjeessa suositeltujen lisävarusteiden tai -osien käyttö sekä laitteen käyttö muuhun kuin käyttöohjeessa suositeltuun tarkoitukseen voi aiheuttaa henkilövahingon vaaran.
- ◆ Säilytä tämä käyttöohje tulevaa tarvetta varten.

Laitteen käyttö

- ◆ Älä koskaan lisää kalkinpoistoainetta sisältäviä, aromaattisia, alkoholipitoisia tai puhdistusainetta sisältäviä tuotteita Speedy Rolleriin, sillä ne voivat vahingoittaa laitetta tai vaarantaa sen käytön.

Käytön jälkeen

- ◆ Kun laitetta ei käytetä, se on säilytettävä kuivassa paikassa.
- ◆ Pidä laite lasten ulottumattomissa.

Tarkastus ja korjaus

- ◆ Tarkista ennen laitteen käyttöä, ettei laitteessa ole vahingoittuneita tai viallisia osia. Tarkista osien ja kytkimien kunto sekä muut seikat, jotka voivat vaikuttaa laitteen toimintaan.
- ◆ Älä käytä laitetta, jos jokin osa on vahingoittunut tai viallinen.
- ◆ Korjauta tai vaihdata vaurioituneet tai vialliset osat valtuutetussa huoltoliikkeessä.
- ◆ Älä koskaan yritä korjata tai vaihtaa muita kuin tässä käyttöohjeessa erikseen määriteltyjä osia.

Muiden turvallisuus

- ◆ Tätä laitetta ei ole tarkoitettu sellaisten henkilöiden käyttöön, joilla on fyysisiä tai älyllisiä rajoitteita tai aistirajoitteita, eikä laitteen toimintaan perehtymättömien henkilöiden käyttöön (lapset mukaan luettuina), paitsi valvonnan alaisina tai jos he ovat saaneet laitteen käyttöön liittyvää opastusta heidän turvallisuudestaan vastaavalta henkilöltä.
- ◆ Lapsia on valvottava ja heitä on estettävä leikkimästä laitteella.

Muut riskit.

Muut riskit ovat mahdollisia, jos käytät työkalua muulla kuin turvavaroituksissa mainitulla tavalla. Nämä riskit voivat liittyä muun muassa virheelliseen tai pitkäaikaiseen käyttöön. Tiettyjä jäännösriskejä ei voi välttää, vaikka noudatat kaikkia turvamääräyksiä ja käytät turvalaitteita. Näihin kuuluvat muun muassa

- ◆ liikkuvien osien koskettamisen aiheuttamat vahingot
- ◆ osia tai lisälaitteita vaihdettaessa aiheutuneet vahingot
- ◆ laitteen pitkäaikaisen käytön aiheuttamat vahingot. Kun käytät laitetta pitkään, varmista, että pidät säännöllisesti taukoja.

Laitteessa olevat merkinnät

Työkaluksa on seuraavat kuvamerkinnot:



Varoitus! Käyttäjän on luettava käyttöohje vahinkojen välttämiseksi.



Varoitus! Käytä vain palamattomia nesteitä.



Varoitus! Pidä sivulliset loitolla.



Varoitus! Käytä hengityssuojainta.



Varoitus! Käytä suojalaseja.

Yleiskuvasu

Tässä laitteessa on kaikki tai joitakin seuraavista ominaisuuksista.

1. Mäntä
2. Liipaisin
3. Maalisäiliö
4. Jalkatuki
5. Täyttöventtiili
6. Pään kääntöpainike
7. Telapää
8. Tela
9. Tippa-astia

Kokoaminen

Kahvan kiinnittäminen (kuva A)

- ◆ Työnnä kahva (10) maalisäiliöön (3) ja varmista, että oranssi holkki (11) on kahvaa (3) vasten.

- ◆ Kierrä oranssi holkki (11) kahvassa olevaan kierteeseen (3) ja kiristä se.

Telapään kiinnittäminen (kuva B)

- ◆ Työnnä kahvaosa (12) telapähän (7) ja varmista, että O-rengas (13) on telapään (7) sisällä ja musta holkki (14) on telapäästä vasten (7).
- ◆ Kierrä musta holkki (14) telapäässä olevaan kierteeseen (7) ja kiristä se.

Telan kiinnittäminen telapähän (kuva C)

- ◆ Voitele telapidikkeen (16) päät (15) vaseliinilla.
- ◆ Työnnä koottu tela (8) telapidikkeeseen (16).

Huomautus: Varmista, että telaosa napsahtaa telan ulommassa päätykappaleessa olevaan lukituskiinnikkeeseen.

Tippa-astian kiinnittäminen (kuva D)

Tippa-astia auttaa estämään maalin roiskumisen ja valumisen etenkin kattoa maalattaessa.

- ◆ Käännä tippa-astia (9) telapidikettä (16) vasten niin, että se on telan (8) ympärillä.
- ◆ Käännä tippa-astia haluttuun asentoon.

Huomautus: Tippa-astia auttaa estämään maalin valumisen myös silloin, kun Speedy Roller™ on jalkatuen varassa eikä se ole käytössä. Aseta tippa-astia telan alle.

Käyttö

Täyttämisen maalilla (kuvat E ja F)

Huomautus: Kun käytät Speedy Rolleria™ ensimmäisen kerran, suurin osa maalisäiliöstä olevasta maalista kuluu telanpäällisen kostuttamiseen. Säiliö on mahdollisesti täytetty toisen kerran.

- ◆ Työnnä täyttöputken (17) pieni pää maalitölkkipidikkeen (18) pohjassa olevan reiän läpi. Paina sitä varovasti, kunnes se napsahtaa paikalleen.
- ◆ Kiinnitä maalitölkkin pidike (18) maalitölkkin reunaan.

Huomautus: Jos käytät syviä astioita, lisää täyttöputkeen läpimitaltaan 19 mm oleva läpinäkyvä putki ja kiinnitä se astian kylkeen täyttöputken tölkkipidikkeellä. Leikkaa putken alareuna hieman viistoon. Putkea on saatavilla useimmista tarvikeliikkeistä.

- ◆ Voitele täyttöputken (17) yläosa pienellä määrällä vaseliinia.
- ◆ Pitele Speedy Rolleria™ 45° kulmassa ja aseta täyttöventtiili (5) täyttöputken (17) päälle. Paina Speedy Rolleria™ varovasti alaspäin niin, että se peittää täyttöputken kokonaan.

Huomautus: Varmista, että tölkkipidikkeen päällysosaa peittää oranssin täyttöpään kannen (19) kokonaan.

- ◆ Vedä mäntä (1) voimakkaasti kokonaan taakse, jolloin Speedy Roller™ täyttyy maalilla. Paina riittävän voimakkaasti, jotta täyttöventtiili ja täyttöputki toimivat yhdessä.

- ◆ Nosta Speedy Roller™ hitaasti irti täyttöputkesta.

Huomautus: Jos laite ei ensimmäisellä kerralla täyty kokonaan, tyhjennä maali tölkkiin painamalla mäntää hitaasti. Vedä sen jälkeen mäntä taakse ja varmista, että laite on oikeassa kulmassa ja oranssi täyttöpään kansi on kokonaan paikallaan.

Telapään kulman säätäminen (kuvat G ja H)

Telapää voidaan säätää kolmeen eri kulmaan.

- ◆ Paina telapäässä (7) olevaa oranssia pään kääntöpainiketta (6) ja pidä sitä painettuna.
- ◆ Käännä telapää (7) haluttuun kulmaan.

Huomautus: Käännä telapää suoraan asentoon yleismaalauksista ja 40° tai 80° kulmaan vaikeapääsyisiä paikkoja, kattoja tai reunuksia maalattaessa.

Huomautus: Kahvan (10) kääntäminen helpottaa maalaamista, kun telapidike on tietyssä kulmassa. Voit kääntää kahvan haluttuun asentoon löysämällä holkkin (11), säätämällä kahvaa ja kiristämällä holkkin uudelleen (kuva H).

Maalaaminen Speedy Rollerilla™ (kuvat I ja J)

- ◆ Aloita rullaaminen seinällä ja lisää telanpäälliselle maalilla työntämällä mäntäkahvaa (1) tai painamalla liipaisinta (2).

Huomautus: Ensimmäisen täyttökerran maalimäärä voi kuluu kokonaan telan kostuttamiseen. Täytä Speedy Roller™ tarpeen mukaan.

Hyödyllisiä vihjeitä

- ◆ Liipaisinta on painettava vain silloin, kun tarvitset maalia.
- ◆ Käytä enemmän maalia, jos maalijälki on pistemäistä.
- ◆ Käytä vähemmän maalia, jos tela liukuu pinnalla.
- ◆ Kahvassa voi olla vaseliinia. Se on tarpeen, sillä se helpottaa telan toimintaa, eikä se ei vaikuta maalaustulokseen.
- ◆ Kun Speedy Roller™ ei ole käytössä, anna sen nojata jalkatuen (4) varassa niin, että tippa-astia (9) on kiinnitetty ja asetettu telan alle.

Ylimääräisen maalin palauttaminen maalitölkkiin (kuvat K–M)

- ◆ Aseta peukalosi oranssin täyttöpään kannen (19) päälle.
- ◆ Ime ylimääräinen maali telapidikkeestä putkeen vetämällä mäntä (1) taakse.
- ◆ Pitele Speedy Rolleria™ 45° kulmassa ja aseta täyttöventtiili (5) täyttöputken (17) päälle. Paina Speedy Rolleria™ varovasti alaspäin niin, että se peittää täyttöputken kokonaan.

Huomautus: Varmista, että tölkkipidikkeen päällysosaa peittää oranssin täyttöpään kannen (19) kokonaan.

- ◆ Paina mäntä kokonaan putken sisälle.

- ◆ Irrota tela (8) tarttumalla ulompaan päätykappaleeseen (20) sekä telapidikkeeseen (16) ja vetämällä telan toisen käden peukalolla irti.

Huomautus: Käytä kertakäyttökäsineitä tai vedä muovipussi telan päälle, jotta kätesi pysyvät puhtaina.

- ◆ Kaavi ylimääräiset maalit telalta tölkkiin.
- ◆ Irrota sisempi päätykappale asettamalla telapidikkeen metalliputki noin 2–3 cm viistosti päätykappaleen sisälle.
- ◆ Vedä telapidikettä varovasti itseesi päin.
- ◆ Irrota telan keskiö.
- ◆ Poista telaan jäänyt maali.
- ◆ Irrota ulompi päätykappale (20) asettamalla telapidike telaan ja työntämällä päätykappale varovasti irti.

Vinkkejä parhaimman tuloksen saavuttamiseksi

- ◆ Käytä vain rei'itettyä Black & Decker Speedy Roller™ -telanpäällistä (lisävarusteen osanumero: BDPRA09-XJ & BDPRA18-XJ). Tavalliset telanpäälliset eivät toimi.
- ◆ Tarkista telanpäällinen ennen maalaamista nukkaantumisen varalta ja pese sekä kuivaa se tarvittaessa ennen käyttöä.
- ◆ Kun käytät Speedy Rolleria™ ensimmäisen kerran, suurin osa Speedy Rollerin™ putkessa olevasta maalista kuluu telanpäällisen kostuttamiseen. Säiliö on mahdollisesti täytettävä toisen kerran.
- ◆ Liikuta telaa, kun työnnyt mäntää tai painat liipaisinta. Tällä voit estää maalin valumisen.
- ◆ Älä työnnä mäntää tai paina liipaisinta, jos tela alkaa liukua tai maali alkaa valua.
- ◆ Kun maalaat ahtaissa paikoissa, täytä Speedy Roller™ vain osittain tai käännä pidikettä. Tällä voit vähentää laitteen pituutta.
- ◆ Jos Speedy Roller™ on käyttämättä pidemmän aikaa, kierrä tela muovipussiin, jotta se ei pääse kuivumaan. Poista ilma pussista mahdollisimman hyvin.
- ◆ Varmista, että käytettävä maali voidaan poistaa mineraaliliuottimilla (öljypohjaiset maalit) tai lämpimällä vedellä ja saippuuliuksella (vesiliukoiset maalit).
- ◆ Suojaa lattiat ja huoneen muut kohteet, joille et halua vahingossa roiskuvan maalia, sopivilla peitteillä.
- ◆ Kun käytät tukijalkaa, käännä pää aina suoraan asentoon ja vähennä painetta vetämällä mäntä hieman ulos.

Hoito ja puhdistus

Speedy Rollerin™ puhdistaminen (kuvat O–T)

- ◆ Irrota telan pidike.
- ◆ Paina täyttöputki suoraan täyttöventiiliin. Kun poistat vesiliukoisia maaleja, upota täyttöputki lämpimään saippuaveteen ja liikuta mäntää edestakaisin vähintään viisi kertaa. Kun käytät öljypohjaisia maaleja, käytä valmistajan tölkissä mainittua liuotinta ja huolehdi sen asianmukaisesta hävittämisestä.

Huomautus: Huuhtele laite pesualltaassa, kylpyammeessa tai säiliössä, johon voi lisätä vettä. Vaihda vesi, kun se muuttuu likaiseksi tai kun siirryt seuraavaan vaiheeseen.

- ◆ Irrota täyttöputki. Upota sen jälkeen telapidike veteen, varmista, että täyttöventiili on myös veden alla, ja liikuta mäntää edestakaisin vähintään viisi kertaa (kuva P).

Huomautus: Kun käytät pientä astiaa, käännä telapidike 80 asteen kulmaan, jotta se mahtuu astiaan (kuva Q).

- ◆ Irrota telapidike ja jatka puhdistamista tarpeen mukaan. Upota kahva lämpimään saippuaveteen ja liikuta mäntää edestakaisin vähintään viisi kertaa.

Huomautus: Pyyhi männän (1) päähän jäänyt maali.

- ◆ Kierrä ventiilin korkki (19) irti ja irrota keulan tiiviste (22) sekä takaiskuventiili (21) puhdistamista varten. Huuhtelee muut osat ja poista kaikki nesteet Speedy Rollerista™ (kuva S).
- ◆ Irrota putki pidikkeestä (tarvittaessa) painamalla letkunjuristimia. Huuhtelee pidike ja putki. Aseta putki takaisin paikalleen ja kiinnitä se letkunjuristimilla (24) (kuva T).

Huomautus: Osta aina rei'itetty Black & Decker Speedy Roller™ -telanpäällinen (lisävarusteen osanumero: BDPRA09-XJ & BDPRA18-XJ). Tavallinen telanpäällinen eivät toimi.

Speedy Rollerin™ voitelemine (kuvat U–X)

Voitelu helpottaa normaalia käyttöä. Se on suoritettava puhdistamisen jälkeen ja ennen jokaista käyttökertaa.

- ◆ Kierrä liipaisimen lähellä olevaa kierteellistä holkkia (11) vastapäivään, kunnes putkiosa irtoaa.

Huomautus: Kun kokoat laitteen, oranssin kierteellisen holkin (11) on oltava liipaisinkahvaan päin.

- ◆ Levitä vaseliinia kumiivivisteiden (25) ympärille ja väliin. Varmista laitetta kootaessa, että kumiivivisteet eivät ole vääntyneet tai vahingoittuneet. Kiristä lukitusholkki.
- ◆ Voitele takaiskuventiili (21) ja keulan tiiviste (22) vaseliinilla, aseta ne yksikköön ja kierrä ventiilin korkki (19) takaisin paikalleen.
- ◆ Levitä päätykappaleiden (26) sisätiivisteisiin vaseliinia ja kokoa tela asettamalla keskiö (27) telanpäällisen (28) sisälle sekä kiinnittämällä päätykappaleet kuvan osoittamalla tavalla.

Ympäristönsuojelu



Erillinen keräys. Tätä tuotetta ei saa hävittää normaalin kotitalousjätteen mukana.

Kun Black & Decker -laitteesi aikanaan täytyy vaihtaa tai ei kelpaa enää käyttöön, älä hävitä laitetta kotitalousjätteen mukana. Toimita laite kierrätettäväksi.



Käytettyjen tuotteiden ja pakkausmateriaalien erilliskeruun avulla materiaalit voidaan kierrättää ja käyttää uudelleen. Kierrätysmateriaalien käyttö auttaa vähentämään ympäristön saastumista ja uusien raaka-aineiden tarvetta.

Paikallisissa säädöksissä voidaan määrätä, että kodin sähkötuotteiden keruu tapahtuu kaupunkien jätteidenkäsittelyasemilla tai laitteita myyvässä liikkeessä uuden tuotteen oston yhteydessä.

Kun laitteesi on käytetty loppuun, älä hävitä sitä tavallisten roskien mukana, vaan vie se paikkakuntasi kierrätyskeskukseen tai jätä se valtuutettuun Black & Deckerin huoltoliikkeeseen.

Saat valtuutettujen huoltoliikkeiden yhteystiedot ottamalla yhteyden Black & Decker Oy:hyn tässä käyttöoppaassa ilmoitetussa osoitteessa. Valtuutettujen Black & Decker -huoltoliikkeiden yhteystiedot sekä lisätietoja palveluistamme ja takuuohjeista on myös Internetissä osoitteessa www.2helpU.com.

Tekniset tiedot

		BDPR400
Kapasiteetti	ml	650
Paino	kg	1,4

Takuu

Black & Decker takaa, ettei tuotteessa ole materiaali- ja/tai valmistusvikaa silloin, kun se toimitetaan ostajalle. Takuu on lisäys kuluttajan laillisiin oikeuksiin eikä vaikuta niihin. Takuu on voimassa Euroopan unionin jäsenmaissa ja Euroopan vapaakauppa-alueella (EFTA).

Mikäli Black & Decker -kone hajoaa materiaali- ja/tai valmistusvirheen tai teknisten tietojen epätarkkuuden vuoksi 24 kk:n kuluessa ostopäivästä, Black & Decker korjaa koneen ilman kustannuksia ostajalle tai vaihtaa sen Black & Decker Oy:n valinnan mukaan. Takuu ei kata vikoja, jotka johtuvat seuraavista:

- ◆ Tuotetta on käytetty kaupallisesti, ammattimaisesti tai vuokraukseen.
- ◆ Tuotetta on käytetty tai hoidettu virheellisesti.
- ◆ Tuotetta on vahingoitettu vieraalla esineellä tai aineella tai se on ollut onnettomuudessa.
- ◆ Jos korjauksia on yrittänyt joku muu kuin Black & Deckerin valtuuttama edustaja tai Black & Deckerin henkilökunta.

Edellytyksenä takuun saamiselle on, että ostaja jättää koneen ja ostokuitin jälleenmyyjälle tai valtuutetulle huoltoliikkeelle. Saat valtuutettujen huoltoliikkeiden yhteystiedot ottamalla yhteyden Black & Decker Oy:hyn tässä käyttöoppaassa ilmoitetussa osoitteessa. Valtuutettujen Black & Decker -huoltoliikkeiden yhteystiedot sekä lisätietoja palveluistamme ja takuuohjeista on myös Internetissä osoitteessa www.2helpU.com

Voit rekisteröidä uuden Black & Decker -tuotteesi ja tarkastella tietoja uusista tuotteista ja erikoistarjouksista verkkosivuiltamme www.blackanddecker.fi. Saat lisätietoja Black & Deckerin tavaramerkistä ja tuotevalikoimastamme osoitteesta www.blackanddecker.fi.

Ενδεδειγμένη χρήση

Το Speedy Roller™ της Black & Decker είναι σχεδιασμένο για την εφαρμογή μπογιάς σε τοίχους και οροφές. Αυτό το εργαλείο προορίζεται μόνο για εσωτερική οικιακή χρήση.

Οδηγίες ασφαλείας



Προειδοποίηση! Διαβάστε όλες τις υποδείξεις και όλες τις οδηγίες. Η μη τήρηση των παρακάτω προειδοποιήσεων και οδηγιών μπορεί να προκαλέσει τραυματισμό.

- ◆ Πριν χρησιμοποιήσετε το εργαλείο διαβάστε προσεκτικά ολόκληρο το εγχειρίδιο.
- ◆ Η προοριζόμενη χρήση περιγράφεται σε αυτό το εγχειρίδιο. Τόσο η χρήση εξαρτημάτων ή προσαρτημάτων όσο και η πραγματοποίηση εργασιών με το εργαλείο που δε συνιστώνται σε αυτό το εγχειρίδιο οδηγούν γυμνοί κίνδυνο τραυματισμού.
- ◆ Φυλάξτε αυτό το εγχειρίδιο για μελλοντική αναφορά.

Χρήση του εργαλείου σας

- ◆ Ποτέ μην τοποθετείτε προϊόντα απομάκρυνσης των αλάτων, αρωματικά, οιστονευματώδη ή απορρυπαντικά προϊόντα στο speedy roller, καθώς αυτό μπορεί να του προκαλέσει ζημιά ή να το καταστήσει ανασφαλές για χρήση.

Μετά τη χρήση

- ◆ Όταν δε χρησιμοποιείται, το εργαλείο πρέπει να φυλάσσεται σε στεγνό χώρο.
- ◆ Τα παιδιά δεν πρέπει να έχουν πρόσβαση σε αποθηκευμένα εργαλεία.

Έλεγχος και επισκευή

- ◆ Πριν από τη χρήση, ελέγξτε το εργαλείο σας για τυχόν κατεστραμμένα ή ελαττωματικά εξαρτήματα. Ελέγξτε αν υπάρχουν σπασμένα εξαρτήματα, ζημιά σε διακόπτες και σιδηρότυπο άλλο που μπορεί να επηρεάσει τη λειτουργία της.
- ◆ Μη χρησιμοποιείτε το εργαλείο εάν οποιοδήποτε εξάρτημα είναι κατεστραμμένο ή ελαττωματικό.
- ◆ Φροντίστε να γίνει η επισκευή ή η αντικατάσταση των τυχόν ελαττωματικών εξαρτημάτων από εξουσιοδοτημένο κέντρο επισκευών.
- ◆ Μην επιχειρήσετε ποτέ να αφαιρέσετε ή να αντικαταστήσετε οποιοδήποτε εξάρτημα, εκτός από αυτά που καθορίζονται σε αυτό το εγχειρίδιο.

Ασφάλεια τρίτων

- ◆ Αυτό το εργαλείο δεν προορίζεται για χρήση από άτομα (στα οποία περιλαμβάνονται και τα παιδιά) με μειωμένες φυσικές, αντιληπτικές ή διανοητικές ικανότητες ή άτομα χωρίς εμπειρία και γνώσεις, παρά μόνο εφόσον επιτηρούνται ή τους έχουν δοθεί οδηγίες σχετικά με τη χρήση του εργαλείου από άτομο υπεύθυνο για την ασφάλειά τους.
- ◆ Τα παιδιά πρέπει να επιτηρούνται για να διασφαλίζεται ότι δεν παίζουν με το εργαλείο.

Αναπόφευκτοι κίνδυνοι.

Μπορεί να προκληθούν επιπρόσθετοι αναπόφευκτοι κίνδυνοι όταν χρησιμοποιείτε το εργαλείο, οι οποίοι μπορεί να μην συμπεριλαμβάνονται στις προειδοποιήσεις ασφαλείας που εσωκλείονται. Αυτοί οι κίνδυνοι μπορεί να προκληθούν από κακή χρήση, παρατεταμένη χρήση κτλ.

Ακόμα και με την τήρηση των σχετικών κανονισμών ασφαλείας και τη χρήση μέσων προστασίας, ορισμένοι κίνδυνοι δεν είναι δυνατόν να εξαλειφθούν. Αυτοί περιλαμβάνουν:

- ◆ Τραυματισμούς από το άγγιγμα οποιωνδήποτε κινούμενων εξαρτημάτων.
- ◆ Τραυματισμούς από αλλαγή οποιωνδήποτε εξαρτημάτων ή αξεσουάρ.
- ◆ Τραυματισμούς που προκαλούνται από παρατεταμένη χρήση του εργαλείου. Όταν χρησιμοποιείτε οποιοδήποτε εργαλείο για παρατεταμένες χρονικές περιόδους βεβαιωθείτε ότι κάνετε τακτικά διαλείμματα.

Επικέτες στο εργαλείο

Τα ακόλουθα εικονογράμματα εμφανίζονται στο εργαλείο:



Προειδοποίηση! Για να μειωθεί ο κίνδυνος τραυματισμού, ο χρήστης πρέπει να διαβάσει το εγχειρίδιο οδηγιών.



Προειδοποίηση! Χρησιμοποιείτε μόνο άφλεκτα υγρά.



Προειδοποίηση! Μην επιτρέπεται να πλησιάσουν άλλα άτομα.



Προειδοποίηση! Φορέστε μάσκα σκόνης.



Προειδοποίηση! Φοράτε γυαλιά ασφαλείας.

Χαρακτηριστικά

Το εργαλείο αυτό διαθέτει μερικά ή όλα από τα παρακάτω χαρακτηριστικά:

1. Έμβολο
2. Σκανδάλη
3. Δοχείο μπιγιάς
4. Αναδιπλούμενο στήριγμα
5. Βαλβίδα πλήρωσης
6. Πλήκτρο περιστροφής κεφαλής
7. Κεφαλή ρολού
8. Ρολό
9. Προστατευτικό ρολού

Συναρμολόγηση

Τοποθέτηση της λαβής (εικ. A)

- ◆ Περάστε τη λαβή (10) μέσα στο δοχείο μπιγιάς (3) εξασφαλίζοντας ότι το πορτοκαλί κολάρο (11) συναντά τη λαβή (3).
- ◆ Βιδώστε το πορτοκαλί κολάρο (11) στο σπείρωμα της λαβής (3) και σφίξτε.

Τοποθέτηση της κεφαλής ρολού (εικ. B)

- ◆ Περάστε το συγκρότημα λαβής (12) μέσα στην κεφαλή ρολού (7) εξασφαλίζοντας ότι ο ελαστικός κυκλικός δακτύλιος (13) έχει εδραστεί εντός της κεφαλής ρολού (7) και το μαύρο κολάρο (14) συναντά την κεφαλή ρολού (7).
- ◆ Βιδώστε το μαύρο κολάρο (14) στο σπείρωμα της κεφαλής ρολού (7) και σφίξτε.

Τοποθέτηση ρολού στην κεφαλή ρολού (εικ. C)

- ◆ Λιπάνετε τα άκρα (15) και στα δύο άκρα του πλαισίου του ρολού (16) με βαζελίνη.
- ◆ Περάστε το συναρμολογημένο ρολό (8) στο πλαίσιο του ρολού (16).

Σημείωση: Βεβαιωθείτε ότι το συγκρότημα του ρολού κουμπώνει στο κλιπ ασφάλισης στο καπάκι του εξωτερικού άκρου του ρολού.

Τοποθέτηση του προστατευτικού του ρολού (εικ. D)

Το προστατευτικό ρολού βοηθά στη μείωση των πιτσιλισμάτων και των σταξιδμάτων κατά τη βαφή, ειδικά σε οροφές.

- ◆ Κουμπώστε το προστατευτικό ρολού (9) στο πλαίσιο ρολού (16) έτσι ώστε να προσαρμόζεται γύρω από το ρολό (8).
- ◆ Περιστρέψτε το προστατευτικό ρολού στην απαιτούμενη θέση.

Σημείωση: Το προστατευτικό ρολού επίσης βοηθά στην αποτροπή σταξιδμάτων όταν το Speedy Roller™ έχει αποτεθεί στο αναδιπλούμενο στήριγμα και δεν χρησιμοποιείται. Τοποθετήστε το προστατευτικό ρολού κάτω από το ρολό.

Χρήση

Πλήρωση με μπιγιά (εικ. E & F)

Σημείωση: Κατά τη χρήση του Speedy Roller™ για την πρώτη εφαρμογή, θα χρειαστεί η περισσότερη μπιγιά μέσα στο δοχείο μπιγιάς για να κορεστεί το κάλυμμα του ρολού. Μπορεί να χρειαστεί μια δεύτερη πλήρωση.

- ◆ Εισάγετε το μικρό άκρο του σωλήνα πλήρωσης (17) μέσω της οπής στο κάτω μέρος του κλιπ για το κουτί μπιγιάς (18). Πιέστε απαλά μέχρι να κουμπώσει στη θέση του.
- ◆ Τοποθετήστε το κλιπ για το κουτί μπιγιάς (18) στο άκρο του κουτιού με την μπιγιά σας.

Σημείωση: Για βαθύτερα δοχεία, τοποθετήστε ένα τμήμα διάφανου σωλήνα εσωτερικής διαμέτρου 19mm πάνω από τις νευρώσεις του σωλήνα πλήρωσης για να τον προεκτείνετε και κουμπώστε στο πλευρό του κάδου με το κλιπ για το κουτί μπιγιάς του σωλήνα πλήρωσης. Κόψτε το κάτω άκρο της σωλήνωσης με μια ελαφριά γωνία. Σωλήνωση διατίθεται στα περισσότερα καταστήματα με υλικά για μαστορέματα.

- ◆ Λιπάνετε την κορυφή του σωλήνα πλήρωσης (17) με μια μικρή ποσότητα βαζελίνης.
- ◆ Κρατήστε το Speedy Roller™ σε μια γωνία 45° και τοποθετήστε τη βαλβίδα πλήρωσης (5) πάνω από το σωλήνα πλήρωσης (17). Απαλά πιέστε κάτω το Speedy Roller™ έτσι ώστε να καλύψει απόλυτα το σωλήνα πλήρωσης.

Σημείωση: Βεβαιωθείτε ότι το πορτοκαλί κάλυμμα της τάπας πλήρωσης (19) καλύπτεται απόλυτα από το κάλυμμα του κλιπ δοχείου.

- ◆ Πολύ γερά τραβήξτε το έμβολο (1) μέχρι τέρμα πίσω για να αναρροφηθεί μπιγιά μέσα στο Speedy Roller™ εξασφαλίζοντας ότι εφαρμόζετε επαρκή πίεση για να διατηρηθεί μια επαρκής ένωση μεταξύ της βαλβίδας πλήρωσης και του σωλήνα πλήρωσης.
- ◆ Ανασηκώστε αργά το Speedy Roller™ από το σωλήνα πλήρωσης.

Σημείωση: Εάν δεν επιτύχετε μια πλήρη πλήρωση την πρώτη φορά, πιέστε το έμβολο αργά για να επαναφέρετε την μπιγιά στο κουτί και στη συνέχεια τραβήξτε πίσω το έμβολο εξασφαλίζοντας ότι η γωνία είναι σωστή και το πορτοκαλί κάλυμμα της τάπας πλήρωσης είναι τοποθετημένο σωστά.

Ρύθμιση της κεφαλής ρολού (εικ. G & H)

Η κεφαλή ρολού μπορεί να ρυθμιστεί σε τρεις διαφορετικές γωνίες.

- ◆ Πιέστε και κρατήστε το πορτοκαλί πλήκτρο περιστροφής κεφαλής(6) στην κεφαλή ρολού (7).
- ◆ Περιστρέψτε την κεφαλή ρολού (7) στην απαιτούμενη γωνία.

Σημείωση: Χρησιμοποιήστε σε ευθεία τοποθέτηση για γενικό βάψιμο και σε γωνίες 40° ή 80° για δύσκολα στην πρόσβαση σημεία ή όταν βάψετε κοντά στην οροφή ή στο σοβατεπί.

Σημείωση: Η λαβή (10) μπορεί να περιστραφεί ώστε να γίνει πιο άνετη κατά το βάψιμο με ένα πλαίσιο ρολού τοποθετημένο υπό γωνία. Για να περιστρέψετε τη λαβή στην επιθυμητή θέση, χαλαρώστε το κολάρο (11), ρυθμίστε τη λαβή και σφίξτε ξανά το κολάρο (εικ Η).

Βάφοντας με το Speedy Roller™ (εικ. Ι & J)

◆ Ξεκινήστε να βάφετε τον τοίχο και πιέστε τη λαβή του εμβόλου (1) ή πιέστε τη σκανδάλη (2) για να τροφοδοτήσετε μπιονιά στο κάλυμμα του ρολού.

Σημείωση: Ο αρχικός κορεσμός του ρολού μπορεί να χρειαστεί ολόκληρη την ποσότητα της μπιονιάς της πρώτης πλήρωσης. Συμπληρώστε το Speedy Roller™ όπως απαιτείται.

Βοηθητικές συμβουλές

- ◆ Η σκανδάλη χρειάζεται να πιέζεται μόνο όταν απαιτείται μπιονιά.
- ◆ Εάν προκύπτει ένα σχέδιο με κουκίδες όταν βάφετε, απλώστε περισσότερη μπιονιά.
- ◆ Εάν το ρολό γλιστρά στην επιφάνεια, απλώστε λιγότερη μπιονιά.
- ◆ Μπορεί να παρατηρήσετε βαζελίνη εντός της λαβής. Αυτή είναι απαραίτητη και θα βοηθήσει στη λειτουργία χωρίς να επηρεάσει τη μπιονιά.
- ◆ Όταν δε χρησιμοποιείται, αποθέστε το Speedy Roller™ στο αναδιπλούμενο στήριγμα (4) με το προστατευτικό του ρολού (9) τοποθετημένο στη θέση κάτω από το ρολό.

Επιστροφή πλεονάζουσας μπιονιάς στο κουτί της (εικ. Κ - Μ)

- ◆ Τοποθετήστε τον αντίχειρα πάνω στο πορτοκαλί κάλυμμα της τάπας πλήρωσης (19).
- ◆ Τραβήξτε πίσω το έμβολο (1) για να αναρροφηθεί η πλεονάζουσα μπιονιά από το πλαίσιο του ρολού μέσα στο σωλήνα.
- ◆ Κρατήστε το Speedy Roller™ σε μια γωνία 45° και τοποθετήστε τη βαλβίδα πλήρωσης (5) πάνω από το σωλήνα πλήρωσης (17). Απαλά πιέστε κάτω το Speedy Roller™ έτσι ώστε να καλύψει απόλυτα το σωλήνα πλήρωσης.

Σημείωση: Βεβαιωθείτε ότι το πορτοκαλί κάλυμμα της τάπας πλήρωσης (19) καλύπτεται απόλυτα από το κάλυμμα του κλιπ δοχείου.

- ◆ Σπρώξτε το έμβολο μέχρι τέρμα μέσα στο έμβολο.
- ◆ Αφαιρέστε το ρολό (8) κρατώντας το καπάκι του εξωτερικού άκρου (20) και το πλαίσιο του ρολού (16) και χρησιμοποιώντας τον αντίχειρα του άλλου χεριού σας για να σπρώξετε το ρολό να απομακρυνθεί

Σημείωση: Φοράτε γάντια μιας χρήσης ή χρησιμοποιήστε μια πλαστική σακούλα πάνω από το ρολό για να διατηρήσετε καθαρά τα χέρια σας.

- ◆ Αποξέστε στο κουτί τυχόν απομένονα μπιονιά στο ρολό.

- ◆ Αφαιρέστε το καπάκι του εσωτερικού άκρου εισάγοντας το μεταλλικό σωλήνα του πλαισίου του ρολού στο καπάκι κατά περίπου 2-3 εκατοστά και υπό γωνία.
- ◆ Τραβήξτε το πλαίσιο ρολού απαλά προς το μέρος σας.
- ◆ Αφαιρέστε τον πυρήνα του ρολού.
- ◆ Αδειάστε τυχόν παραμένονα μπιονιά.
- ◆ Αφαιρέστε το εξωτερικό καπάκι (20) εισάγοντας το πλαίσιο ρολού στο ρολό και πιέζοντας απαλά το καπάκι να βγει.

Συμβουλές για άριστη χρήση

- ◆ Χρησιμοποιήστε μόνο διάτρητο κάλυμμα ρολού της Black & Decker Speedy Roller™ (Αριθμός εξαρτήματος : BDPRA09-XJ & BDPRA18-XJ). Τα συνηθισμένα καλύμματα ρολού δεν είναι κατάλληλα.
- ◆ Επιθεωρήστε το κάλυμμα ρολού για χνουδία πριν το βάψιμο, εάν χρειάζεται πλύνετε το και στεγνώστε το πριν τη χρήση.
- ◆ Κατά τη χρήση του Speedy Roller™ για την πρώτη εφαρμογή, θα χρειαστεί η περισσότερη μπιονιά μέσα στο σωλήνα του Speedy Roller™ για να κορεστεί το κάλυμμα του ρολού. Μπορεί να χρειαστεί μια δεύτερη πλήρωση.
- ◆ Διατηρείτε το ρολό σε κίνηση όταν πιέζετε το έμβολο προς τα μέσα ή πατάτε τη σκανδάλη για να αποτρέψετε το στάξιμο.
- ◆ Σταματήστε να πιέζετε το έμβολο προς τα μέσα ή πατάτε τη σκανδάλη εάν το ρολό αρχίσει να μην κυλά, να γλιστρά ή να στάζει.
- ◆ Όταν βάφετε σε περιορισμένους χώρους γεμίστε μερικώς μόνο το Speedy Roller™ ή περιστρέψτε το πλαίσιο. Αυτό μειώνει το συνολικό του μήκος.
- ◆ Όταν αφήνετε το Speedy Roller™ χωρίς επιτήρηση για μεγάλο χρονικό διάστημα, τυλίξτε το ρολό σε μια πλαστική σακούλα για να αποτρέψετε το στέγνωμα, αφαιρώντας όσο το δυνατό περισσότερο αέρα από τη σακούλα.
- ◆ Βεβαιωθείτε ότι ο τύπος της μπιονιάς που χρησιμοποιείτε μπορεί να καθαριστεί είτε με mineral spirits (για βαφές με βάση το λάδι) ή με ένα διάλυμα ζεστού νερού και σαπουνιού (για υδατοδιαλυτές βαφές)
- ◆ Χρησιμοποιείτε καλύμματα για την προστασία των δαπέδων σας και οτιδήποτε άλλο στο χώρο που δε θέλετε να πιτσιλιστεί κατά λάθος με μπιονιά.
- ◆ Όταν χρησιμοποιείτε το αναδιπλούμενο στήριγμα, πάντοτε περιστρέψτε την κεφαλή στην ευθεία θέση και απελευθερώστε την πίεση τραβώντας ελαφρά έξω το έμβολο.

Συντήρηση και καθαρισμός

Καθαρισμός του Speedy Roller™ (εικ. Ο - Τ)

- ◆ Αφαιρέστε το χιτώνιο του ρολού.
- ◆ Πιέστε το σωλήνα πλήρωσης κατευθείαν μέσα στη βαλβίδα πλήρωσης. Κατά τον καθαρισμό από υδατοδιαλυτές μπιγιές, βυθίστε το σωλήνα πλήρωσης σε ζεστό σαπουνόνερο και τραβήξτε το έμβολο μέσα και έξω 5 ή περισσότερες φορές. Όταν χρησιμοποιείτε μπιγιές με βάση το λάδι, αντί για νερό, χρησιμοποιήστε το σωστό καθαριστικό διάλυμα που αναγράφεται στη συσκευασία του κατασκευαστή και απορρίψτε το κατάλληλα.

Σημείωση: Χρησιμοποιήστε νεροχύτη, μπανιέρα, ή οποιοδήποτε δοχείο το οποίο μπορεί να κρατήσει νερό για την εκτέλεση της παραπάνω διαδικασίας έκπλυσης. Αντικαταστήστε το νερό όταν λερωθεί ή όταν προχωράτε στο επόμενο βήμα.

- ◆ Αφαιρέστε το σωλήνα πλήρωσης. Στη συνέχεια βυθίστε το πλαίσιο ρολού, και εξασφαλίζοντας ότι η βαλβίδα πλήρωσης είναι επίσης μέσα στο νερό, τραβήξτε το έμβολο μέσα και έξω 5 ή περισσότερες φορές (εικ. Ρ).

Σημείωση: Όταν χρησιμοποιείτε ένα μικρό δοχείο, περιστρέψτε το πλαίσιο ρολού στη θέση 80 μοιρών για να χωρά στο δοχείο (εικ. Q).

- ◆ Αφαιρέστε το πλαίσιο ρολού και συνεχίστε τον καθαρισμό όπως απαιτείται. Βυθίστε τη λαβή σε ζεστό σαπουνόνερο και τραβήξτε το έμβολο μέσα και έξω 5 ή περισσότερες φορές.

Σημείωση: Σκουπίστε τα υπολείμματα μπιγιές από το άκρο του εμβόλου (1).

- ◆ Ξεβιδώστε το καπάκι της βαλβίδας (19) και αφαιρέστε το στεγανοποιητικό παρέμβυσμα (22) και την πεπλατυσμένη βαλβίδα (21) για καθαρισμό. Ξεπλύνετε όλα τα υπόλοιπα εξαρτήματα και αποστραγγίστε κάθε υγρό από το Speedy Roller™ (εικ. S).
- ◆ Αφαιρέστε τη σωλήνωση από το πλαίσιο εάν χρειάζεται) πιέζοντας τους σφιγκτήρες σωλήνα. Ξεπλύνετε το πλαίσιο και τη σωλήνωση. Επανατοποθετήστε τη σωλήνωση και ασφαλίστε με σφιγκτήρες σωλήνα (24) (εικ. Τ).

Σημείωση: Πάντοτε αγοράζετε μόνο διάτρητο κάλυμμα ρολού της Black & Decker Speedy Roller™ (Αριθμός εξαρτήματος : BDPA09-XJ & BDPA18-XJ). Ένα συνηθισμένο ρολό δεν είναι κατάλληλο.

Λίπανση Speedy Roller™ (εικ. U - X)

Η λίπανση βοηθά στην κανονική λειτουργία και πρέπει να εκτελείται μετά από τον καθαρισμό και πριν από κάθε χρήση.

- ◆ Περιστρέψτε το κολάρο συναρμολόγησης με σπείρωμα (11) κοντά στη σκανδάλη αριστερόστροφα μέχρι το συγκρότημα του κύριου σωλήνα να γλιστρήσει και να αφαιρεθεί.

Σημείωση: Κατά την επανασυναρμολόγηση, το πορτοκαλί κολάρο με το σπείρωμα (11) πρέπει να είναι προς τη λαβή της σκανδάλης.

- ◆ Απλώστε βαζελίνη γύρω και μεταξύ των ελαστικών παρεμβυσμάτων (25). Επανασυναρμολογήστε εξασφαλίζοντας ότι τα ελαστικά παρεμβύσματα δεν έχουν συστραφεί ή καταστραφεί. Σφίξτε το κολάρο κλειδώματος.
- ◆ Απλώστε βαζελίνη στην πεπλατυσμένη βαλβίδα (21) και το στεγανοποιητικό παρέμβυσμα (22) και επανατοποθετήστε τα εντός της μονάδας βιδώνοντας το καπάκι της βαλβίδας (19) και πάλι στη θέση του.
- ◆ Απλώστε βαζελίνη στα εσωτερικά παρεμβύσματα στα καπάκια των άκρων (26) στη συνέχεια συναρμολογήστε το ρολό τοποθετώντας τον πυρήνα (27) μέσα στο κάλυμμα ρολού (28) και τοποθετώντας τα καπάκια των άκρων όπως φαίνεται.

Προστασία του περιβάλλοντος



Ξεχωριστή περισυλλογή. Αυτό το προϊόν δεν πρέπει να απορρίπτεται μαζί με τα κοινά οικιακά απορρίμματα.

Εάν κάποια μέρα διαπιστώσετε ότι το προϊόν σας Black & Decker χρειάζεται αντικατάσταση ή ότι δεν το χρειάζεστε άλλο, μην το απορρίψετε μαζί με τα κοινά οικιακά απορρίμματα αλλά διαθέστε αυτό το προϊόν για ξεχωριστή περισυλλογή.



Η ξεχωριστή περισυλλογή των μεταχειρισμένων προϊόντων και των υλικών συσκευασίας επιτρέπει την ανακύκλωση και επαναχρησιμοποίηση των υλικών. Με την επαναχρησιμοποίηση των ανακυκλωμένων υλικών αποτρέπεται η μόλυνση του περιβάλλοντος και μειώνεται η ζήτηση πρώτων υλών.

Οι κανονισμοί που ισχύουν στην περιοχή σας ενδέχεται να προβλέπουν την ξεχωριστή περισυλλογή των ηλεκτρικών συσκευών που προέρχονται από νοικοκυριά σε δημοτικές εγκαταστάσεις ή από τον έμπορο όταν αγοράσετε ένα καινούργιο προϊόν.

Η Black & Decker δίνει τη δυνατότητα ανακύκλωσης των προϊόντων της που έχουν συμπληρώσει τη διάρκεια ζωής τους. Για να χρησιμοποιήσετε αυτήν την υπηρεσία, επιστρέψτε το προϊόν σας σε οποιοδήποτε εξουσιοδοτημένο κέντρο επισκευών, όπου θα το παραλάβουν εκ μέρους μας.

Ενημερωθείτε για το πλησιέστερο εξουσιοδοτημένο κέντρο επισκευών της περιοχής σας, επικοινωνώντας με τα γραφεία της Black & Decker στη διεύθυνση που αναγράφεται στο εγχειρίδιο. Επίσης, μια λίστα με τα εξουσιοδοτημένα κέντρα επισκευών της Black & Decker και πλήρεις λεπτομέρειες για τις υπηρεσίες που παρέχονται μετά την πώληση καθώς και στοιχεία επικοινωνίας υπάρχουν στο Διαδίκτυο, στη διεύθυνση: www.2helpU.com

Τεχνικά χαρακτηριστικά

		BDPR400
Χωρητικότητα	ml	650
Βάρος	kg	1,4

Εγγύηση

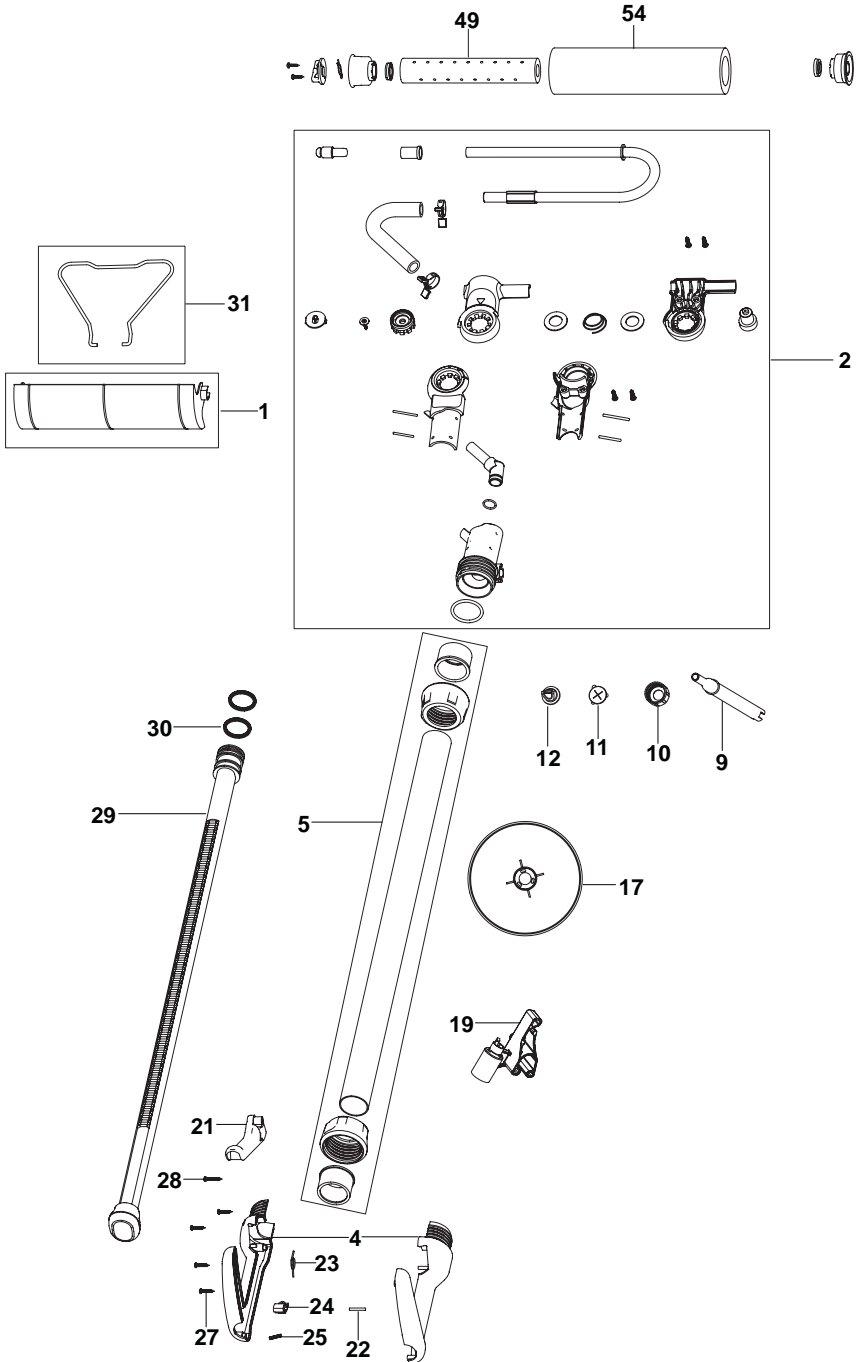
Η Black & Decker είναι σίγουρη για την ποιότητα των προϊόντων της και παρέχει μια εξαιρετική εγγύηση. Η παρούσα γραπτή εγγύηση αποτελεί πρόσθετο δικαίωμά σας και δεν ζημιώνει τα νόμιμα δικαιώματά σας. Η εγγύηση ισχύει εντός της επικράτειας των Κρατών Μελών της Ευρωπαϊκής Ένωσης και της Ευρωπαϊκής Ζώνης Ελευθέρων Συναλλαγών.

Σε περίπτωση που κάποιο προϊόν της Black & Decker παρουσιάσει βλάβη εξαιτίας ελαττωματικών υλικών, ποιότητας εργασίας ή έλλειψης συμφωνίας με τις προδιαγραφές εντός 24 μηνών από την ημερομηνία αγοράς, η Black & Decker εγγυάται την αντικατάσταση των ελαττωματικών τμημάτων, την επισκευή προϊόντων που έχουν υποστεί εύλογη φθορά λόγω χρήσης ή την αντικατάσταση των προϊόντων προκειμένου να εξασφαλίσει την ελάχιστη ενόχληση στους πελάτες της, εκτός εάν:

- ◆ Το προϊόν έχει χρησιμοποιηθεί σε εργασιακό, επαγγελματικό περιβάλλον ή έχει νοικοιαστεί.
- ◆ Έχει γίνει εσφαλμένη χρήση του προϊόντος ή έχει παραμεληθεί.
- ◆ Το προϊόν έχει υποστεί βλάβη από άλλα αντικείμενα, από ουσίες ή λόγω ατυχήματος.
- ◆ Έχει γίνει προσπάθεια επισκευής από μη εξουσιοδοτημένα κέντρα επισκευών ή από προσωπικό που δεν ανήκει στο προσωπικό της Black & Decker.

Για να ισχύσει η εγγύηση, πρέπει να υποβάλετε απόδειξη αγοράς στον πωλητή ή το εξουσιοδοτημένο κέντρο επισκευών. Ενημερωθείτε για το πλησιέστερο εξουσιοδοτημένο κέντρο επισκευών της περιοχής σας, επικοινωνώντας με τα γραφεία της Black & Decker στη διεύθυνση που αναγράφεται στο εγχειρίδιο. Επίσης, μια λίστα με τα εξουσιοδοτημένα κέντρα επισκευών της Black & Decker και πλήρεις λεπτομέρειες για τις υπηρεσίες που παρέχονται μετά την πώληση καθώς και στοιχεία επικοινωνίας υπάρχουν στο Διαδίκτυο, στη διεύθυνση: www.2helpU.com

Παρακαλούμε επισκεφθείτε την ιστοσελίδα μας www.blackanddecker.gr για να καταχωρήσετε το νέο σας προϊόν Black & Decker και για να ενημερωθείτε για τα νέα προϊόντα και τις ειδικές προσφορές. Περισσότερες πληροφορίες σχετικά με τη μάρκα Black & Decker και τη σειρά των προϊόντων μας θα βρείτε στη διεύθυνση www.blackanddecker.gr



ENGLISH

Do not forget to register your product!

www.blackanddecker.co.uk/productregistration
Register your product online at www.blackanddecker.co.uk/productregistration or send your name, surname and product code to Black & Decker in your country

DEUTSCH

Vergessen Sie nicht, Ihr Produkt registrieren zu lassen!

www.blackanddecker.de/productregistration
Lassen Sie Ihr Produkt unter www.blackanddecker.de/productregistration online registrieren oder schicken Sie Ihren Nachnamen, Vornamen und den Produktcode an Black & Decker in Ihrem Land.

FRANÇAIS

N'oubliez pas d'enregistrer votre produit !

www.blackanddecker.fr/productregistration
Enregistrez votre produit en ligne sur www.blackanddecker.fr/productregistration ou envoyez vos nom, prénom et code produit à Black & Decker dans votre pays.

ITALIANO

Non dimenticate di registrare il prodotto!

www.blackanddecker.it/productregistration
Registrate il prodotto online su www.blackanddecker.it/productregistration o inviate nome, cognome e codice del prodotto al centro Black & Decker del vostro paese.

NEDERLANDS

Vergeet niet uw product te registreren!

www.blackanddecker.nl/productregistration
U kunt uw product online registreren op www.blackanddecker.nl/productregistration of u kunt uw voornaam, achternaam en productcode opsturen naar Black & Decker in uw land.

ESPAÑOL

¡No olvide registrar su producto!

www.blackanddecker.es/productregistration
Registre su producto on-line en www.blackanddecker.es/productregistration o envíe su nombre, apellidos y código de producto a Black & Decker en su país.

PORTUGUÊS

Não se esqueça de registar o seu produto!

www.blackanddecker.pt/productregistration
Registe o seu produto online em www.blackanddecker.pt/productregistration ou envie o seu nome, apelido e código do produto para a Black & Decker no seu país.

SVENSKA

Glöm inte att registrera produkten!

www.blackanddecker.se/productregistration
Registrera produkten online på www.blackanddecker.se/productregistration eller skicka namn och produktkod till Black & Decker i landet du bor i.

NORSK

Ikke glem å registrere produktet ditt!

www.blackanddecker.no/productregistration
Registrer produktet ditt online på www.blackanddecker.no/productregistration, eller send ditt navn, etternavn og produktkode til Black & Decker i ditt eget land.

DANSK

Glem ikke at registrere dit produkt!

www.blackanddecker.dk/productregistration
Registrer dit produkt på internettet på: www.blackanddecker.dk/productregistration eller send dit navn, efternavn og produktkode til Black & Decker i dit eget land.

SUOMI

Muistathan rekisteröidä tuotteesi!

www.blackanddecker.fi/productregistration
Rekisteröi tuotteesi verkossa osoitteessa www.blackanddecker.fi/productregistration tai lähetä etunimesi, sukunimesi ja tuotekoodi oman maasi Black & Decker -edustajalle.

ΕΛΛΗΝΙΚΑ

Μην ξεχάσετε να καταχωρίσετε το προϊόν σας!

www.blackanddecker.gr/productregistration
Καταχωρίστε το προϊόν σας σε σύνδεση στη σελίδα www.blackanddecker.gr/productregistration ή στείλτε το όνομα, επίθετο σας και τον κωδικό προϊόντός στη Black & Decker στη χώρα σας.

België/Belgique	Black & Decker (Belgium) N.V. Nieuwlandlaan 7 I.Z. Aarschot B156 3200 Aarschot	Tel. Fax Tel. Fax	+32 70 220 065 +32 70 225 585 +32 70 220 064 +32 70 222 441
Danmark	Black & Decker Sluseholmen 2-4, 2450 København SV Internet: www.blackanddecker.dk	Tel. Fax	70 20 15 10 70 22 49 10
Deutschland	Black & Decker GmbH Black & Decker Str. 40, D - 65510 Idstein	Tel. Fax	06126 21-0 06126 21-2980
Ελλάδα	Black & Decker (Ελλάς) Α.Ε. Στράβωνος 7 & Λεωφ. Βουλιαγμένης 159 166 74 Γλυφάδα - Αθήνα	Τηλ. Φαξ www.blackanddecker.com	210 8981-616 210 8983-570
España	Black & Decker Ibérica, S.C.A. Parc de Negocis "Mas Blau" Edificio Muntadas, c/Bergadá, 1, Of. A6 08820 El Prat de Llobregat (Barcelona)	Tel. Fax	934 797 400 934 797 419
France	Black & Decker (France) S.A.S. 5 allée des Hêtres B.P. 30084 69579 Limonest Cédex	Tel. Fax	04 72 20 39 20 04 72 20 39 00
Helvetia	ROFO AG Gewerbezone Seeblick 3213 Kleinbörsingen	Tel. Fax	026-6749391 026-6749394
Italia	Black & Decker Italia Srl Viale Elvezia 2 20052 Monza (MI)	Tel. Fax Numero verde	039-23871 039-2387592 800-213935
Nederland	Black & Decker Benelux Joulehof 12, 4622 RG Bergen op Zoom	Tel. Fax	+31 164 283 065 +31 164 283 200
Norge	Black&Decker Postboks 4613, Nydalen 0405 Oslo	Tlf. Fax www.blackanddecker.no	45 25 13 00 45 25 08 00
Österreich	Black & Decker Vertriebsges.m.b.H Oberlaaerstraße 248, A-1230 Wien	Tel. Fax	01 66116-0 01 66116-614
Portugal	Black & Decker Centro de Escritórios de Sintra Avenida Almirante Gago Coutinho, 132/134, Edifício 142710-418 Sintra 2710-418 Lisboa	Tel. Fax	214667500 214667580
Suomi	Black & Decker Oy Tekniikantie 12, 02150 Espoo Almirante Gago Coutinho, 132/134, Edifício 142710-418 Sintra 2710-418 Lisboa	Puh. Faksi	010 400 430 0800 411 340
Sverige	Black & Decker AB Box 94, 431 22 Mölndal	Tel. Fax	031-68 60 60 031-68 60 80
United Kingdom	Black & Decker 210 Bath Road Slough, Berkshire SL1 3YD	Tel. Fax	01753 511234 01753 551155
Middle East & Africa	Black & Decker P.O.Box - 17164 Jebel Ali (South Zone), Dubai, UAE	Tel. Fax	+971 4 8863030 +971 4 8863333