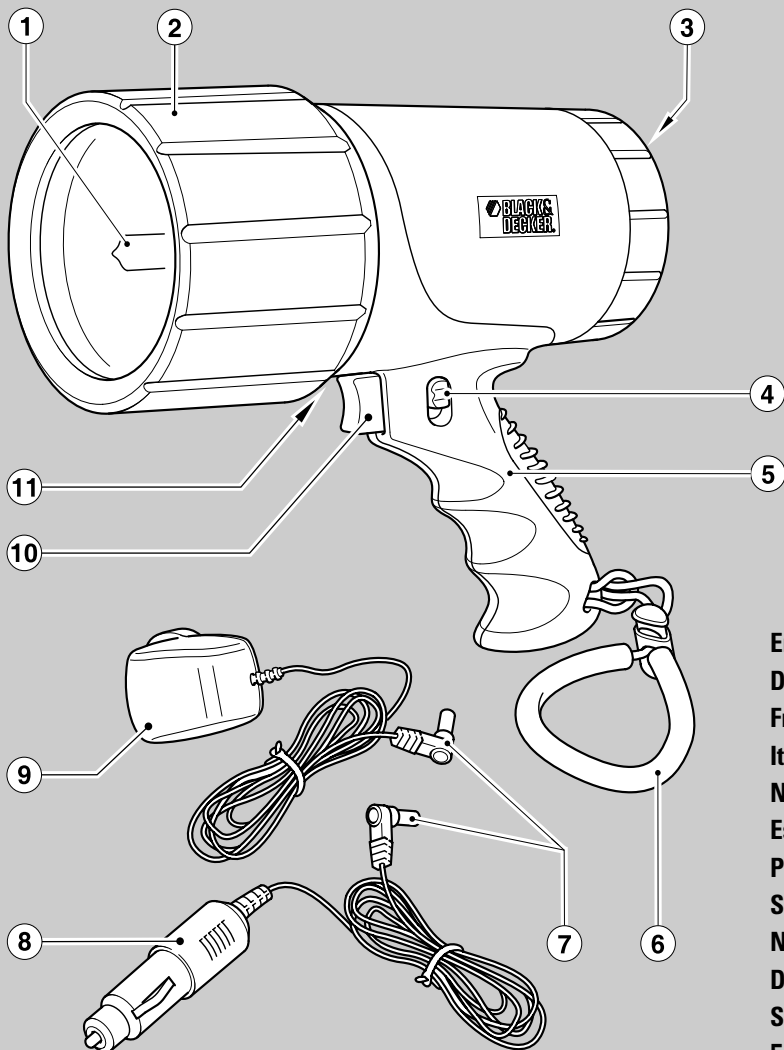
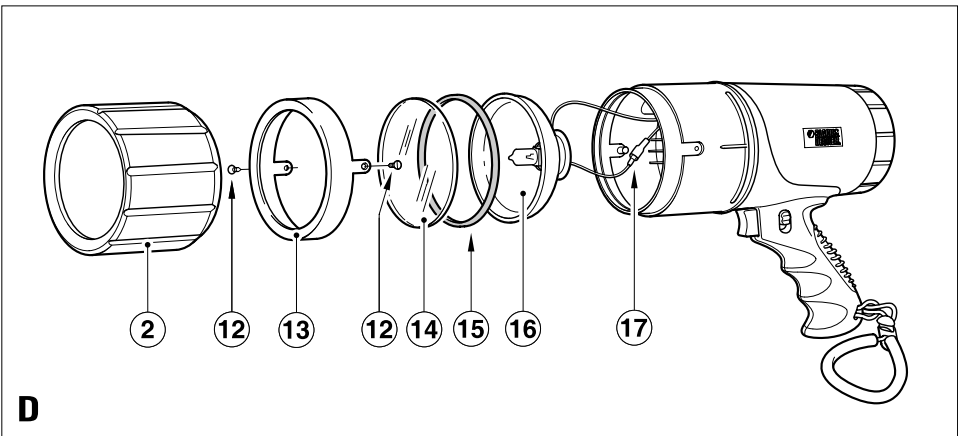
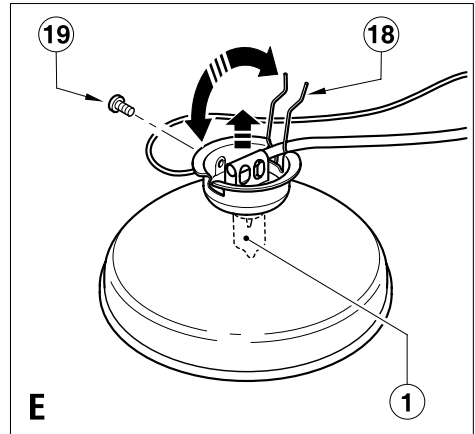
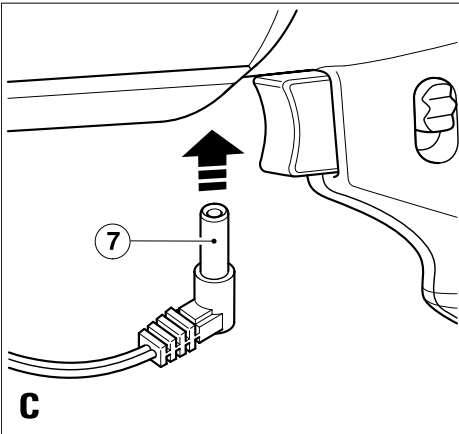
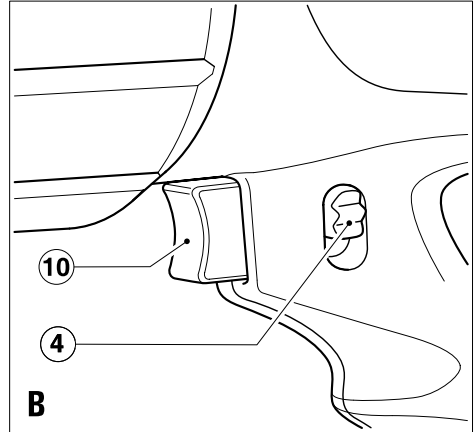
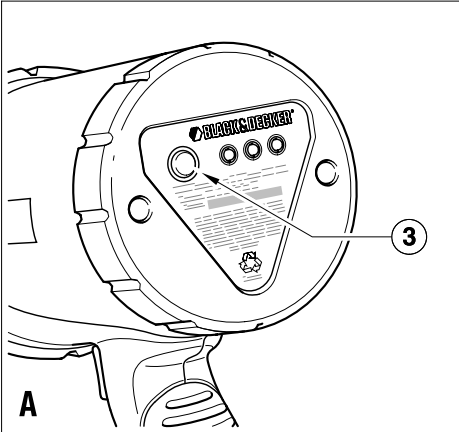


# BLACK & DECKER®

www.blackanddecker.eu



English	3
Deutsch	7
Français	12
Italiano	17
Nederlands	22
Español	27
Português	32
Svenska	37
Norsk	41
Dansk	45
Suomi	49
Ελληνικά	53



## Intended use

Your Black & Decker Spotlight has been designed for providing illumination for DIY projects and leisure use. This product is intended for consumer use only.

## Safety instructions

**Warning!** When using battery-powered appliances, basic safety precautions, including the following, should always be followed to reduce the risk of fire, leaking batteries, personal injury and material damage.

- ◆ Read all of this manual carefully before using the appliance.
- ◆ The intended use is described in this manual. The use of any accessory or attachment or the performance of any operation with this appliance other than those recommended in this instruction manual may present a risk of personal injury.
- ◆ Retain this manual for future reference.

## Using your appliance

Always take care when using the appliance.

- ◆ This appliance is not intended for use by young or infirm persons without supervision.
- ◆ The appliance is not to be used as a toy.
- ◆ Use in a dry location only. Do not allow the unit to become wet.
- ◆ Do not immerse the appliance in water.
- ◆ Do not open body casing. There are no user-serviceable parts inside.
- ◆ Do not operate the appliance in explosive atmospheres, such as in the presence of flammable liquids, gases or dust.
- ◆ To reduce the risk of damage to plugs and cords never pull the cable to remove the plug from a socket outlet.

## After use

- ◆ When not in use, the appliance should be stored in a dry, well ventilated place out of the reach of children.
- ◆ Children should not have access to stored appliances.
- ◆ When the appliance is stored or transported in a vehicle it should be placed in the boot or restrained to prevent movement following sudden changes in speed or direction.
- ◆ The appliance should be protected from direct sunlight, heat and moisture.

## Inspection and repairs

- ◆ Before use, check the appliance for damaged or defective parts. Check for breakage of parts, damage to switches and any other conditions that may affect its operation.
- ◆ Do not use the appliance if any part is damaged or defective.

- ◆ Have any damaged or defective parts repaired or replaced by an authorised repair agent.
- ◆ Never attempt to remove or replace any parts other than those specified in this manual.

## Specific safety instructions for spotlights

The following safety symbol is marked on your spotlight:



Do not touch the lens as it becomes very hot during operation and remains hot for several minutes after the spotlight is switched off.

- ◆ Allow the spotlight to fully cool down before storage or charging.
- ◆ Keep combustible materials away from spotlight lens. Extreme heat can cause fires.
- ◆ Never place the light face-down on any surface when it is switched on or cooling.
- ◆ Do not leave the spotlight unattended. Keep children and animals away from the work area.
- ◆ Inspect the lens for damage following impact or if the spotlight is dropped. Do not operate without the lens in place or with a damaged lens.
- ◆ The lens is manufactured from glass. The lens may crack or break if subject to an impact. If the lens is damaged it must be replaced by manufacturers original parts. Wear gloves as sharp edges may cause injury.
- ◆ Never look directly into the light or shine the light into another person's eyes.
- ◆ Do not immerse spotlight in water.
- ◆ Only replace bulb with type indicated in technical data.
- ◆ Use only with the Black & Decker charging adapters that are provided with unit. Plug in the charging adapter at the spotlight first, then plug into the charging source.

## Additional safety instructions for batteries and chargers

### Batteries

- ◆ Never attempt to open for any reason.
- ◆ Do not expose the battery to water.
- ◆ Do not store in locations where the temperature may exceed 40 °C.
- ◆ Charge only at ambient temperatures between 10 °C and 40 °C.
- ◆ Charge only using the chargers provided with the tool.
- ◆ When disposing of batteries, follow the instructions given in the section "Protecting the environment".
- ◆ Under extreme conditions, battery leakage may occur. When you notice liquid on the batteries, carefully wipe the liquid off using a cloth. Avoid skin contact.
- ◆ In case of skin or eye contact, follow the instructions below.

**Warning!** The battery fluid is a diluted sulphuric acid and may cause personal injury or damage to property. In case of skin contact, immediately rinse with water. If redness, pain or irritation occurs seek medical attention. In case of eye contact, rinse immediately with clean water and seek immediate medical attention.

## Chargers

Your charger has been designed for a specific voltage. Always check that the mains voltage corresponds to the voltage on the rating plate.

**Warning!** Never attempt to replace the charger unit with a regular mains plug.

Use your Black & Decker charger only to charge the battery in the tool with which it was supplied. Other batteries could burst, causing personal injury and damage.

- ◆ Never attempt to charge non-rechargeable batteries.
- ◆ Have defective cords replaced immediately.
- ◆ Do not expose the charger to water.
- ◆ Do not open the charger.
- ◆ Do not probe the charger.

The battery must be placed in a well ventilated area when charging.

### DO NOT OVERCHARGE:

- ◆ AC recharge up to 14 hours maximum.
- ◆ DC recharge up to 14 hours maximum.
- ◆ After recharge, disconnect the charging adaptor and wait 5 minutes before use.

### The following symbols are found on your charger:



Your charging base is double insulated; therefore no earth wire is required.



Fail-safe isolating transformer. The mains supply is electrically separated from the transformer output.



The charger automatically shuts off if the ambient temperature becomes too high. As a consequence the charger will be inoperable. The charging base must be disconnected from the mains supply and taken to an authorised service centre for repair.



The charging base is intended for indoor use only.

## Electrical safety



This tool is double insulated; therefore no earth wire is required. Always check that the power supply corresponds to the voltage on the rating plate.

- ◆ If the supply cord is damaged, it must be replaced by the manufacturer or an authorised Black & Decker Service Centre in order to avoid a hazard.

## Features

This appliance includes some or all of the following features:

1. Replaceable quartz halogen bulb
2. Rubber ring guard
3. Battery status LED indicator
4. Trigger lock
5. Pistol grip
6. Carry lanyard
7. Charger jack plug
8. Vehicle dc power cord
9. Mains charging adaptor
10. 3-position brightness trigger
11. 12 Vdc charging socket

### Charging the spotlight (fig. A - C)

- ◆ This spotlight is shipped in a partially charged state. Charge the spotlight before first use using the mains charging adaptor (9) for 12-14 hours or until the green battery status LED (3) lights.
- ◆ Charge after each use until the green battery status LED (3) lights.

To check the battery charge status at any time, press the battery status pushbutton (5).

The LED Indicators display the level of charge.

- ◆ One red LED indicates that the unit should be charged soon.
- ◆ Two red LEDs indicate a high level of charge.
- ◆ The green LED lights to show a fully charged unit.

### Charging with the mains charger (fig. A - C)

- ◆ Make sure that the spotlight is off (the trigger lock (4) is in the off position and the trigger (10) is not pressed).

**Warning!** Do not charge for longer than 14 hours.

- ◆ Insert the charger jack plug (7) into the 12 Vdc charging socket (11).
- ◆ Insert the mains charging adaptor (9) into a mains power socket.
- ◆ Charge until the green battery status LED (3) lights (approximately 12-14 hours).

### Charging with the vehicle dc power cord (fig. A - C)

- ◆ Make sure that the spotlight is off (the trigger lock (4) is in the off position and the trigger (10) is not pressed).

**Warning!** Do not charge for longer than 14 hours.

- ◆ Insert the charger jack plug (7) into the 12 Vdc charging socket (11).
- ◆ Insert the accessory plug of the vehicle dc power cord (8) into the accessory outlet socket of your vehicle or other 12 Vdc power source.

- ◆ Charge until the green battery status LED (3) lights (approximately 13-14 hours).

Make sure that the dc source, ie jump-starter, battery pack, vehicle accessory outlet, etc., is 12 Vdc and is able to supply at least 0.5 amps at 12 Vdc for eight hours. This means that a battery pack should be charged with at least a 4 amp/hour capacity.

**Note:** When using a vehicle's 12 Vdc accessory outlet as a charging source, it may be necessary to turn on the vehicles ignition to power the accessory outlet.

## USE

### Operating the spotlight (fig. B)

- ◆ Move the trigger lock (4) down to the off position.
- ◆ Press the trigger (10) to turn the spotlight on.
- ◆ Press the trigger (10) repeatedly at one second intervals to advance the brightness level from dim to bright.
- ◆ To lock the trigger (10) in the on position, press the trigger until the desired level of brightness is achieved, then move the trigger lock (4) up to the on position.
- ◆ To shut the spotlight off, move the trigger lock (4) down to the off position.

### Using the built-in carry lanyard

- ◆ The carry lanyard (6) may be used to store or carry the spotlight. Adjust the slide on the cords to keep the lanyard secure around the supporting object.

## MAINTENANCE

Your Black & Decker tool has been designed to operate over a long period of time with a minimum of maintenance. Continuous satisfactory operation depends upon proper tool care and regular cleaning.

**Warning!** Before performing any maintenance or cleaning on the appliance, unplug the appliance.

- ◆ From time to time wipe the appliance with a damp cloth. Do not use any abrasive or solvent-based cleaner. Do not immerse the appliance in water.

### Replacing the bulb (fig. D & E)

To replace the bulb (1), you will need a small cross-head screwdriver and a replacement bulb as per the technical data.

**Warning!** Do not touch the glass part of the bulb. Bulb life may be shortened by installing a bulb with dirt or fingerprints on it.

The bulb (1) can be wiped clean with a cloth moistened with alcohol based cleaner.

- ◆ Disconnect the spotlight from any charging adapters.
- ◆ Lift and push the rubber ring guard (2) forward toward the front of the spotlight to reveal two small cross-head screws (12) in the retaining ring (13).

- ◆ Remove and retain the two screws (12).
- ◆ Lift off the retaining ring (13), the glass lens (12) and the rubber "O" ring (15) and set them aside.
- ◆ Carefully remove the reflector (16) and the bulb assembly.
- ◆ Disconnect the bulb wire (17) from the power wire.
- ◆ Unclip the retaining clip (18) from the flange of the reflector (fig E).
- ◆ Remove the screw (19) and detach the wire.
- ◆ Remove the bulb (1) and detach the wire.
- ◆ Insert the replacement bulb (1) into the flange of the reflector (16).
- ◆ Install the retaining clip (18) into the flange of the reflector (16).
- ◆ Install the wire with the screw (19).
- ◆ Connect the bulb wire (17) to the power wire.
- ◆ Place the reflector (16) in position in the body of the spotlight.
- ◆ Install the rubber "O" ring (15) in the groove around the perimeter of the reflector (16).
- ◆ Install the glass lens (12) and the retaining ring (13) so that the screw holes are aligned.
- ◆ Secure the retaining ring (13) with the two screws (12).
- ◆ Install the rubber ring guard (2).

### Replacing the fuse in the vehicle dc power cord

- ◆ Remove the gold cap by turning it counter clockwise.
- ◆ Remove the rubber washer, centre pin and the spring.
- ◆ Remove the fuse.
- ◆ Fit a new fuse of the same type and size (0.5 A).
- ◆ Install the centre pin, spring and rubber washer.
- ◆ Install the gold cap by turning clockwise onto the plug.

## Protecting the environment



Should you find one day that your appliance needs replacement, or if it is of no further use to you, think of the protection of the environment. Black & Decker repair agents will accept old Black & Decker tools and ensure that they are disposed of in an environmentally safe way.



Separate collection of used products and packaging allows materials to be recycled and used again. Re-use of recycled materials helps prevent environmental pollution and reduces the demand for raw materials.

Local regulations may provide for separate collection of electrical products from the household, at municipal waste sites or by the retailer when you purchase a new product. Black & Decker provides a facility for the collection and recycling of Black & Decker products once they have reached the end of their working life. To take advantage of this

service please return your product to any authorised repair agent who will collect them on our behalf.

You can check the location of your nearest authorised repair agent by contacting your local Black & Decker office at the address indicated in this manual. Alternatively, a list of authorised Black & Decker repair agents and full details of our after-sales service and contacts are available on the Internet at: [www.2helpU.com](http://www.2helpU.com).



Black & Decker batteries can be recharged many times. At the end of their useful life, discard batteries with due care for our environment:

- ◆ Do not dispose of the battery in fire, as this may result in an explosion.
- ◆ Lead Acid (Pb) batteries are recyclable. They must not be disposed of with Household waste. If you do not have access to a product recycling scheme the battery must be removed as described below and disposed of in accordance with local regulations.
- ◆ Do not short-circuit the battery terminals.
- ◆ Be aware that the battery is heavy.
- ◆ If possible, operate the appliance to run the battery down completely.

Please refer to the exploded diagram at the back of this manual to aid you in the removal of the batteries.

Place the battery in a suitable packaging to ensure that the terminals cannot be short-circuited.

Take the battery to your service agent or a local recycling station. Collected batteries will be recycled or disposed of properly.

## Technical data

		<b>BDV156</b>
Input voltage	Vdc	12
Input current	mA	300 max
Weight	kg	1.3
Battery	Type	6V 3Ah SLA
Bulb	Type	H3
<b>Charger</b>		
Input	Vac	230
Approx. charging time	h	14
Weight	kg	0.2

## EC declaration of conformity

BDV156

Black & Decker declares that these products conform to:  
Standards & Legislation.

73/23/EEC, 89/336/EEC, 95/54/EC, EN60335, EN61000,  
EN60598, EN61347, EN55014

Kevin Hewitt  
Director of Consumer Engineering  
Spennymoor, County Durham  
DL16 6JG,  
United Kingdom  
31-08-2006

## Guarantee

Black & Decker is confident of the quality of its products and offers an outstanding guarantee. This guarantee statement is in addition to and in no way prejudices your statutory rights. The guarantee is valid within the territories of the Member States of the European Union and the European Free Trade Area.

If a Black & Decker product becomes defective due to faulty materials, workmanship or lack of conformity, within 24 months from the date of purchase, Black & Decker guarantees to replace defective parts, repair products subjected to fair wear and tear or replace such products to make sure of the minimum inconvenience to the customer unless:

- ◆ The product has been used for trade, professional or hire purposes.
- ◆ The product has been subjected to misuse or neglect.
- ◆ The product has sustained damage through foreign objects, substances or accidents.
- ◆ Repairs have been attempted by persons other than authorised repair agents or Black & Decker service staff.

To claim on the guarantee, you will need to submit proof of purchase to the seller or an authorised repair agent. You can check the location of your nearest authorised repair agent by contacting your local Black & Decker office at the address indicated in this manual. Alternatively, a list of authorised Black & Decker repair agents and full details of our after-sales service and contacts are available on the Internet at:

[www.2helpU.com](http://www.2helpU.com)

Please visit our website [www.blackanddecker.co.uk](http://www.blackanddecker.co.uk) to register your new Black & Decker product and to be kept up to date on new products and special offers. Further information on the Black & Decker brand and our range of products is available at [www.blackanddecker.co.uk](http://www.blackanddecker.co.uk).

## Bestimmungsgemäße Verwendung

Ihr Black & Decker Scheinwerfer wurde zu Beleuchtungszwecken im Heimwerker- und Freizeitbereich entwickelt. Dieses Gerät ist nicht für den gewerblichen Einsatz vorgesehen.

## Sicherheitshinweise

**Achtung!** Beachten Sie beim Umgang mit akku- oder batteriebetriebenen Geräten stets die grundlegenden Sicherheitshinweise, einschließlich der folgenden. Dadurch verhindern Sie so weit wie möglich das Entstehen von Bränden, das Auslaufen von Batterien oder Akkus sowie Sach- und Personenschäden.

- ◆ Lesen Sie diese Anleitung vollständig und aufmerksam durch, bevor Sie das Gerät zum ersten Mal verwenden.
- ◆ Der vorgesehene Verwendungszweck ist in dieser Anleitung beschrieben. Bei Verwendung von Zubehör oder Anbauteilen, die nicht in dieser Anleitung empfohlen sind, sowie bei der Bedienung des Geräts in Abweichung von den in dieser Anleitung beschriebenen Verfahren besteht Verletzungsgefahr.
- ◆ Heben Sie diese Anleitung auf.

## Verwendung des Geräts

Verwenden Sie das Gerät stets mit Umsicht.

- ◆ Das Gerät ist nicht für die unbeaufsichtigte Verwendung durch Kinder oder gebrechliche Personen vorgesehen.
- ◆ Das Gerät ist kein Spielzeug.
- ◆ Verwenden Sie das Gerät nur in trockener Umgebung. Achten Sie darauf, dass das Gerät nicht nass wird.
- ◆ Tauchen Sie das Gerät nicht in Wasser.
- ◆ Versuchen Sie nicht, das Gehäuse zu öffnen. Im Inneren befinden sich keine zu wartenden Teile.
- ◆ Betreiben Sie das Gerät nicht in explosionsgefährdeter Umgebung, in der sich brennbare Flüssigkeiten, Gase oder Stäube befinden.
- ◆ Ziehen Sie niemals am Kabel, wenn Sie den Stecker aus der Steckdose ziehen möchten. Kabel und Stecker könnten sonst beschädigt werden.

## Nach dem Gebrauch

- ◆ Bewahren Sie das Gerät bei Nichtgebrauch an einem trockenen, gut belüfteten Ort außerhalb der Reichweite von Kindern auf.
- ◆ Kinder sollten keinen Zugang zu aufbewahrten Geräten haben.
- ◆ Wenn das Gerät in einem Fahrzeug transportiert oder gelagert wird, bewahren Sie es im Kofferraum oder einer geeigneten Ablage auf, damit es bei plötzlichen Geschwindigkeits- oder Richtungsänderungen nicht in Bewegung geraten kann.
- ◆ Das Gerät muss vor Feuchtigkeit, Hitze und direkter Sonneneinstrahlung geschützt werden.

## Inspektion und Reparaturen

- ◆ Prüfen Sie das Gerät vor der Verwendung auf beschädigte oder defekte Teile. Prüfen Sie, ob Teile gebrochen sind, Schalter beschädigt sind oder ob andere Bedingungen vorliegen, die die Funktion beeinträchtigen könnten.
- ◆ Betreiben Sie das Gerät nicht, wenn ein Teil beschädigt oder defekt ist.
- ◆ Lassen Sie beschädigte oder defekte Teile in einer Vertragswerkstatt reparieren oder austauschen.
- ◆ Ersetzen oder entfernen Sie keine Teile, für die in dieser Anleitung keine entsprechende Beschreibung enthalten ist.

## Spezielle Sicherheitshinweise für Scheinwerfer

Am Scheinwerfer sind die folgenden Warnsymbole angebracht:



Berühren Sie nicht die Linse. Diese wird während des Betriebs sehr heiß und bleibt auch nach dem Ausschalten noch mehrere Minuten heiß.

- ◆ Lassen Sie den Scheinwerfer vollständig abkühlen, bevor Sie ihn zur Aufbewahrung verstauen oder den Akku laden.
- ◆ Bringen Sie die Scheinwerferlinse nicht in die Nähe von entzündlichen Materialien. Die starke Hitze kann Feuer verursachen.
- ◆ Stellen Sie den Scheinwerfer niemals mit der Lichtaustrittsöffnung nach unten ab, während er eingeschaltet ist oder auskühlt.
- ◆ Lassen Sie den Scheinwerfer niemals unbeaufsichtigt. Halten Sie Kinder und Haustiere aus dem Arbeitsbereich fern.
- ◆ Wenn der Scheinwerfer heruntergefallen ist oder ähnlich starken mechanischen Belastungen ausgesetzt wurde, untersuchen Sie die Linse auf Beschädigungen. Betreiben Sie den Scheinwerfer nie mit beschädigter Linse oder ohne Linse.
- ◆ Die Linse besteht aus Glas. Bei starker mechanischer Belastung kann die Linse springen oder splintern. Eine beschädigte Linse muss gegen ein Originalersatzteil ausgetauscht werden. Tragen Sie Schutzhandschuhe, da die scharfen Kanten Verletzungen verursachen können.
- ◆ Blicken Sie niemals direkt in den Lichtstrahl, und richten Sie den Scheinwerfer nicht auf die Augen einer anderen Person.
- ◆ Tauchen Sie den Scheinwerfer nicht in Wasser.
- ◆ Verwenden Sie ausschließlich Ersatzlampen des Typs, der in den technischen Daten genannt ist.
- ◆ Verwenden Sie ausschließlich den mitgelieferten Black & Decker Ladeadapter. Schließen Sie den Ladeadapter erst am Scheinwerfer an und dann an der Stromversorgungsquelle.

## Zusätzliche Sicherheitshinweise für Akku und Ladegeräte

### Batterien

- ◆ Auf keinen Fall öffnen.
- ◆ Achten Sie darauf, dass der Akku nicht mit Wasser in Berührung kommt.
- ◆ Nicht bei Temperaturen über 40 °C lagern.
- ◆ Laden Sie den Akku bei Umgebungstemperaturen von 10 °C bis 40 °C.
- ◆ Verwenden Sie ausschließlich die mitgelieferten Ladegeräte.
- ◆ Bei der Entsorgung von Batterien die Hinweise im Abschnitt „Umweltschutz“ beachten.
- ◆ Unter extremen Bedingungen können Akkus undicht werden. Wenn Sie feststellen, dass aus dem Akku Flüssigkeit austritt, wischen Sie diese vorsichtig mit einem Tuch ab. Vermeiden Sie Hautkontakt.
- ◆ Beachten Sie nach Haut- oder Augenkontakt die folgenden Hinweise.

**Achtung!** Die Akkuflüssigkeit ist verdünnte Schwefelsäure und kann Sach- oder Personenschäden verursachen. Spülen Sie die Säure nach Hautkontakt mit Wasser ab. Wenn sich auf der Haut Rötungen, Reizungen oder andere Irritationen zeigen, suchen Sie einen Arzt auf. Nach Augenkontakt spülen Sie das Auge sofort mit sauberem Wasser ab und nehmen unverzüglich ärztliche Betreuung in Anspruch.

### Ladegerät

Das Ladegerät ist für eine bestimmte Spannung ausgelegt. Stellen Sie sicher, dass die Netzspannung der auf dem Typenschild des Geräts angegebenen Spannung entspricht.

**Achtung!** Ersetzen Sie das Ladegerät keinesfalls durch ein normales Netzkabel.

Verwenden Sie das Black & Decker Ladegerät nur für den Akku des Werkzeugs, mit dem es geliefert wurde. Andere Akkus könnten platzen und Sachschäden oder Verletzungen verursachen.

- ◆ Versuchen Sie keinesfalls, nicht aufladbare Batterien zu laden.
- ◆ Lassen Sie beschädigte Kabel sofort austauschen.
- ◆ Achten Sie darauf, dass das Ladegerät nicht mit Wasser in Berührung kommt.
- ◆ Versuchen Sie nicht, das Ladegerät zu öffnen.
- ◆ Nehmen Sie am Ladegerät keine Veränderungen vor.

Während der Akku geladen wird, muss auf ausreichende Belüftung geachtet werden.

### ÜBERLADEN SIE DEN AKKU NICHT:

- ◆ Begrenzen Sie die Ladedauer bei Wechselspannungsversorgung auf 14 Stunden.
- ◆ Begrenzen Sie die Ladedauer bei Gleichspannungsversorgung auf 14 Stunden.

- ◆ Ziehen Sie den Ladeadapter nach Abschluss des Ladevorgangs ab, und warten Sie 5 Minuten, bevor Sie den Scheinwerfer in Betrieb nehmen.

### Am Ladegerät sind die folgenden Symbole angebracht:



Die Ladestation ist schutzisoliert, daher ist keine Erdleitung erforderlich.



Ausfallsicherer Trenntrafo. Der Trafoausgang ist elektrisch von der Netzstromversorgung getrennt.



Bei extrem hohen Umgebungstemperaturen schaltet sich das Ladegerät automatisch ab. Das Ladegerät lässt sich danach nicht mehr in Betrieb nehmen. Es muss dann von der Netzstromversorgung getrennt und in einer Vertragswerkstatt repariert werden.



Die Ladestation darf nur im Innenbereich verwendet werden.

### Elektrische Sicherheit



Dieses Gerät ist schutzisoliert, daher ist keine Erdleitung erforderlich. Überprüfen Sie immer, ob die Netzspannung der auf dem Typenschild des Gerätes angegebenen Spannung entspricht.

- ◆ Ist das Netzkabel beschädigt, muss es durch den Hersteller oder eine Black & Decker Vertragswerkstatt ausgetauscht werden, um eine mögliche Gefährdung zu vermeiden.

### Merkmale

Dieses Gerät verfügt über einige oder alle der folgenden Funktionsmerkmale:

1. Austauschbare Halogenlampe mit Quarzglas Kolben
2. Schutzring aus Gummi
3. LED-Anzeige für den Akkustatus
4. Auslöserverriegelung
5. Pistolengriff
6. Trageschleife
7. Stecker des Ladegeräts/des Ladeadapters
8. Kfz-Stromversorgungskabel
9. Netzladeadapter
10. Auslöser mit dreistufiger Helligkeitseinstellung
11. 12-VDC-Ladebuchse

### Laden des Scheinwerfers (Abb. A–C)

- ◆ Bei Auslieferung ist der Akku des Scheinwerfers teilweise geladen. Laden Sie den Scheinwerfer vor dem ersten Gebrauch mit dem Netzladeadapter (9) für 12 bis 14 Stunden auf, oder bis die grüne Akkustatus-LED (3) leuchtet.
- ◆ Laden Sie den Scheinwerfer nach jedem Gebrauch, bis die grüne Akkustatus-LED (3) leuchtet.



Sie können den Akkuladestatus jederzeit überprüfen, indem Sie die Akkustatusaste (3) drücken.

Die LED-Anzeigen signalisieren den Ladestatus.

- ◆ Wenn eine rote LED leuchtet, sollte das Gerät bald geladen werden.
- ◆ Zwei rote LEDs bedeuten, dass ausreichend Ladung vorhanden ist.
- ◆ Die grüne LED signalisiert, dass das Gerät vollständig geladen ist.

### Laden mit den Netzladeadapter (Abb. A–C)

- ◆ Vergewissern Sie sich, dass der Scheinwerfer ausgeschaltet ist (Auslöserverriegelung (4) in Stellung „Aus“, Auslöser (10) nicht gedrückt).

**Achtung!** Laden Sie den Akku nicht länger als 14 Stunden.

- ◆ Stecken Sie den Stecker (7) des Ladeegeräts in die 12-VDC-Ladebuchse (11).
- ◆ Stecken Sie den Netzladeadapter (9) in die Steckdose.
- ◆ Laden Sie den Akku ca. 12–14 Stunden auf, bis die grüne Akkustatus-LED (3) leuchtet.

### Laden mit dem Kfz-Stromversorgungskabel (Abb. A–C)

- ◆ Vergewissern Sie sich, dass der Scheinwerfer ausgeschaltet ist (Auslöserverriegelung (4) in Stellung „Aus“, Auslöser (10) nicht gedrückt).

**Achtung!** Laden Sie den Akku nicht länger als 14 Stunden.

- ◆ Stecken Sie den Stecker (7) des Ladeegeräts in die 12-VDC-Ladebuchse (11).
- ◆ Stecken Sie den Stecker des Kfz-Stromversorgungskabels (8) in die Bordspannungssteckdose des Fahrzeugs oder in eine andere 12-VDC-Steckdose.
- ◆ Laden Sie den Akku ca. 13–14 Stunden auf, bis die grüne Akkustatus-LED (3) leuchtet.

Vergewissern Sie sich, dass an der Bordspannungssteckdose, der externen Batterie, dem Starthilfegerät usw. eine Spannung von 12 VDC anliegt und dass die Kapazität dieser Stromversorgung für eine Stromentnahme von 0,5 A über 12 Stunden ausreicht.

Wenn Sie beispielsweise eine externe Batterie verwenden, muss diese eine Kapazität von mindestens 4 Ah besitzen.

**Hinweis:** Wenn die 12-VDC-Bordspannungssteckdose eines Fahrzeugs als Stromversorgung verwendet wird, muss eventuell die Zündung eingeschaltet werden, damit an der Steckdose Spannung anliegt.

## GEBRAUCH

### Betrieb des Scheinwerfers (Abb. B)

- ◆ Schieben Sie die Auslöserverriegelung (4) nach unten in Stellung „Aus“.
- ◆ Drücken Sie den Auslöser (10), um den Scheinwerfer einzuschalten.
- ◆ Drücken Sie den Auslöser (10) mehrfach im Abstand von einer Sekunde, um die Helligkeit zu erhöhen.

- ◆ Wenn Sie den Auslöser (10) in Stellung „Ein“ arretieren möchten, drücken Sie den Auslöser, bis die gewünschte Helligkeit erreicht ist, und schieben die Auslöserverriegelung (4) nach oben in Stellung „Ein“.
- ◆ Zum Ausschalten des Scheinwerfers schieben Sie die Auslöserverriegelung (4) nach unten in Stellung „Aus“.

### Die integrierte Trageschlaufe

- ◆ Die Trageschlaufe (6) kann bei der Aufbewahrung und beim Transport des Scheinwerfers verwendet werden. Mit dem Schieber an der Schnur können Sie die Trageschlaufe enger ziehen.

## WARTUNG

Ihr Black & Decker Gerät wurde im Hinblick auf eine lange Lebensdauer und einen möglichst geringen Wartungsaufwand entwickelt. Ein dauerhafter, einwandfreier Betrieb setzt eine regelmäßige Pflege und Reinigung voraus.

**Achtung!** Ziehen Sie den Netzstecker des Geräts aus der Steckdose, bevor Sie mit Wartungs- oder Reinigungsarbeiten am Gerät beginnen.

- ◆ Wischen Sie das Gerät gelegentlich mit einem feuchten Tuch ab. Verwenden Sie keine scheuernden Reinigungsmittel oder Reinigungsmittel auf Lösungsmittelbasis. Tauchen Sie das Gerät nicht in Wasser.

### Auswechseln der Lampe (Abb. D und E)

Zum Auswechseln der Lampe (1) benötigen Sie einen kleinen Kreuzschlitzschraubendreher und eine Ersatzlampe des Typs, der in den technischen Daten genannt ist.

**Achtung!** Berühren Sie nicht den Glaskolben der Lampe.

Wenn die Lampe mit Verschmutzungen oder Fingerabdrücken eingesetzt wird, kann sich die Lebensdauer der Lampe verkürzen.

Die Lampe (1) kann mit einem Tuch gereinigt werden, das mit etwas Reiniger auf Alkoholbasis angefeuchtet wurde.

- ◆ Trennen Sie den Scheinwerfer vom Ladeadapter.
- ◆ Heben Sie den Gummischutzring (2) an, und schieben Sie ihn nach vorne zur Lichtaustrittsöffnung des Scheinwerfers. Dadurch werden zwei kleine Kreuzschlitzschrauben (12) im Haltering (13) zugänglich.
- ◆ Lösen Sie die beiden Schrauben (12), und bewahren Sie sie auf.
- ◆ Nehmen Sie den Haltering (13), die Glaslinse (12) und den O-Ring aus Gummi (15) ab. Legen Sie die Teile beiseite.
- ◆ Nehmen Sie vorsichtig den Reflektor (16) mit der eingesetzten Lampe heraus.
- ◆ Trennen Sie die Lampenanschlussleitung (17) von der Stromversorgungsleitung.
- ◆ Lösen Sie den Halteclip (18) vom Flansch des Reflektors (Abb. E).

- ◆ Lösen Sie die Schraube (19), und ziehen Sie die Anschlussleitung ab.
- ◆ Entnehmen Sie die Lampe (1), und ziehen Sie die Anschlussleitung ab.
- ◆ Setzen Sie die Ersatzlampe (1) in den Flansch des Reflektors (16) ein.
- ◆ Bringen Sie den Halteclip (18) am Flansch des Reflektors (16) an.
- ◆ Befestigen Sie die Leitung mit der Schraube (19).
- ◆ Verbinden Sie die Lampenanschlussleitung (17) mit der Stromversorgungsleitung.
- ◆ Setzen Sie den Reflektor (16) in das Scheinwerfergehäuse ein.
- ◆ Legen Sie den O-Ring aus Gummi (15) in die Nut an der Außenkante des Reflektors (16) ein.
- ◆ Setzen Sie die Glaslinse (12) und den Haltering (13) so ein, dass die Schraubenöffnungen über den Befestigungsbohrungen liegen.
- ◆ Befestigen Sie den Haltering (13) mit den beiden Schrauben (12).
- ◆ Bringen Sie den Gummischutzring (2) an.

### Ersetzen der Sicherung im Kfz-Stromversorgungskabel

- ◆ Entfernen Sie die goldfarbene Kappe durch Drehung gegen den Uhrzeigersinn.
- ◆ Entfernen Sie den Gummiring, den Zentrierstift und die Feder.
- ◆ Nehmen Sie die Sicherung heraus.
- ◆ Setzen Sie eine neue Sicherung desselben Typs und derselben Größe (0,5 A) ein.
- ◆ Setzen Sie den Zentrierstift, die Feder und den Gummiring ein.
- ◆ Bringen Sie die goldfarbene Kappe durch Drehung im Uhrzeigersinn an.

### Umweltschutz



Sollten Sie das Gerät eines Tages durch ein neues Gerät ersetzen wollen oder keine Verwendung mehr dafür haben, denken Sie bitte an den Schutz der Umwelt. Black & Decker nimmt Ihre ausgedienten Black & Decker-Geräte gern zurück und sorgt für eine umweltgerechte Entsorgung.



Durch die separate Sammlung von ausgedienten Produkten und Verpackungsmaterialien können Rohstoffe recycelt und wiederverwendet werden. Die Wiederverwendung aufbereiteter Materialien trägt zur Vermeidung der Umweltverschmutzung bei und senkt den Rohstoffbedarf.

Die Abfallentsorgungssatzung Ihrer Gemeinde sieht möglicherweise vor, dass Elektrogeräte getrennt vom Hausmüll gesammelt, an der örtlichen Abfallentsorgungseinrichtung abgegeben oder beim Kauf eines neuen Produkts vom Fachhandel zur Entsorgung angenommen werden müssen.

Black & Decker nimmt Ihre ausgedienten Black & Decker-Geräte gern zurück und sorgt für eine umweltfreundliche Entsorgung bzw. Wiederverwertung. Um diese Dienstleistung in Anspruch zu nehmen, geben Sie das Gerät bitte bei einer autorisierten Reparaturwerkstatt ab, die für uns die Einsammlung übernimmt.

Die Adresse der zuständigen Niederlassung von Black & Decker steht in dieser Anleitung. Diese teilt Ihnen gerne die nächstgelegene Vertragswerkstatt mit. Außerdem ist eine Liste der Vertragswerkstätten und aller Kundendienststellen von Black & Decker sowie der zuständigen Ansprechpartner im Internet zu finden unter: **www.2helpU.com**.



Black & Decker Akkus können viele Male geladen werden. Denken Sie bei der Entsorgung von verbrauchten Akkus an unsere Umwelt.

- ◆ Werfen Sie Akkus nicht ins Feuer. Dies könnte zu einer Explosion führen.
- ◆ Bleisäure-Akkus (Pb) können recycelt werden. Akkus dürfen keinesfalls über den Hausmüll entsorgt werden. Wenn Sie keinen Zugang zu einem Recyclingsystem haben, müssen Sie den Akku wie unten beschrieben herausnehmen und ihn gemäß der Abfallentsorgungssatzung Ihrer Gemeinde entsorgen.
- ◆ Achten Sie darauf, dass die Akkukontakte nicht kurzgeschlossen werden.
- ◆ Der Akku ist schwer.
- ◆ Lassen Sie den Akku möglichst im Betrieb leer werden.

Die Explosionszeichnung auf der Rückseite dieser Anleitung zeigt, wie der Akku ausgebaut wird.

Verpacken Sie den Akku in einem geeigneten Behälter, sodass die Akkukontakte nicht kurzgeschlossen werden können.

Bringen Sie den Akku zu Ihrer Vertragswerkstatt oder zu einer Rücknahmestelle in Ihrer Nähe. Die abgegebenen Akkus werden dem Recycling zugeführt oder vorschriftsmäßig entsorgt.

### Technische Daten

		<b>BDV156</b>
Eingangsspannung	VDC	12
Eingangsstrom	mA	max. 300
Gewicht	kg	1,3
Akku	Typ	6 V, 3 Ah, SLA
Lampe	Typ	H3
<b>Ladegerät</b>		
Eingang	V AC	230
Ungefähre Dauer des Ladevorgangs	Std	14
Gewicht	kg	0,2

## EU-Konformitätserklärung

BDV156

Black & Decker erklärt, dass diese Produkte den folgenden Normen entsprechen:

Normen und gesetzliche Vorschriften.

73/23/EWG, 89/336/EWG, 95/54/EG, EN 60335, EN 61000, EN 60598, EN 61347, EN 55014



Kevin Hewitt  
 Director of Consumer Engineering  
 Spennymoor, County Durham  
 DL16 6JG,  
 Vereinigtes Königreich  
 31.08.2006

Bitte besuchen Sie unsere Webseite

**www.blackanddecker.de**, um Ihr neues Black & Decker Produkt zu registrieren und sich über neue Produkte und Sonderangebote zu informieren. Weitere Informationen über die Marke Black & Decker und unsere Produkte finden Sie unter **www.blackanddecker.de**.

## Garantie

Black & Decker vertraut auf die Qualität der eigenen Geräte und bietet dem Käufer eine außergewöhnliche Garantie. Diese Garantiezusage versteht sich unbeschadet der gesetzlichen Gewährleistungsansprüche und schränkt diese keinesfalls ein. Sie gilt in sämtlichen Mitgliedsstaaten der Europäischen Union und der Europäischen Freihandelszone EFTA.

Tritt innerhalb von 24 Monaten ab Kaufdatum an einem Gerät von Black & Decker ein auf Material- oder Verarbeitungsfehler zurückzuführender Mangel auf, garantiert Black & Decker den Austausch defekter Teile, die Reparatur von Geräten mit üblichem Verschleiß bzw. den Austausch eines mangelhaften Gerätes, ohne den Kunden dabei mehr als unbedingt nötig in Anspruch zu nehmen, allerdings vorbehaltlich folgender Ausnahmen:

- ◆ wenn das Gerät gewerblich, beruflich oder im Verleihgeschäft benutzt wurde;
- ◆ wenn das Gerät missbräuchlich verwendet oder mit mangelnder Sorgfalt behandelt wurde;
- ◆ wenn das Gerät durch irgendwelche Fremdeinwirkung beschädigt wurde;
- ◆ wenn ein unbefugter Reparaturversuch durch anderes Personal als das einer Vertragswerkstatt oder des Black & Decker-Kundendienstes unternommen wurde.

Zur Inanspruchnahme dieser Garantie ist dem Verkäufer bzw. der Vertragswerkstatt ein Kaufnachweis vorzulegen. Die Adresse der zuständigen Niederlassung von Black & Decker steht in dieser Anleitung. Diese teilt Ihnen gerne die nächstgelegene Vertragswerkstatt mit. Außerdem ist eine Liste der Vertragswerkstätten und aller Kundendienststellen von Black & Decker sowie der zuständigen Ansprechpartner im Internet zu finden unter:

**www.2helpU.com**

## Utilisation

Votre lampe torche Black & Decker peut être utilisée pour des projets personnels ainsi que pour des activités relatives aux loisirs. Ce produit a été conçu pour une utilisation exclusivement domestique.

## Consignes de sécurité

**Attention !** De simples précautions de sécurité sont à prendre pour l'utilisation d'appareil alimenté par batterie. Les conseils suivants doivent toujours être appliqués, ceci afin de réduire le risque d'incendie, les fuites de batterie, les blessures et les dommages matériels.

- ◆ Lisez attentivement et entièrement le manuel avant d'utiliser l'appareil.
- ◆ Ce manuel décrit comment utiliser cet appareil. L'utilisation d'un accessoire ou d'une fixation, ou bien l'utilisation de cet appareil à d'autres fins que celles recommandées dans ce manuel d'instruction peut présenter un risque de blessures.
- ◆ Gardez ce manuel pour référence ultérieure.

## Utilisation de votre appareil

Prenez toutes les précautions nécessaires pour utiliser l'appareil.

- ◆ Cet appareil n'est pas destiné à être utilisé par des personnes jeunes ou déficientes sans surveillance.
- ◆ Cet appareil ne doit pas être utilisé comme jouet.
- ◆ Il ne doit jamais être utilisé dans des endroits humides et en aucun cas être mouillé.
- ◆ Ne plongez pas l'appareil dans l'eau.
- ◆ N'ouvrez pas le boîtier. Il n'y a aucune pièce réparable par l'utilisateur à l'intérieur.
- ◆ N'utilisez pas l'appareil dans un environnement présentant des risques d'explosion, ni en présence de liquides, gaz ou poussières inflammables.
- ◆ Pour limiter le risque d'endommagement des prises et des fils électriques, ne débranchez jamais l'appareil en tirant sur le câble.

## Après l'utilisation

- ◆ Quand il n'est pas utilisé, l'appareil doit être rangé dans un endroit suffisamment aéré, sec et hors de portée des enfants.
- ◆ Les enfants ne doivent pas avoir accès aux appareils rangés.
- ◆ Quand l'appareil est rangé ou transporté dans un véhicule, il doit être installé dans le coffre ou correctement calé pour éviter les mouvements dus aux changements de direction ou de vitesse.
- ◆ L'appareil doit être protégé de la lumière directe, de la chaleur et de l'humidité.

## Vérification et réparations

- ◆ Avant l'utilisation, vérifiez si l'appareil est en bon état ou si aucune pièce ne manque. Recherchez des pièces cassées, des boutons endommagés et d'autres anomalies susceptibles de nuire au bon fonctionnement de l'appareil.
- ◆ N'utilisez pas l'appareil si une pièce est endommagée ou défectueuse.
- ◆ Faites réparer ou remplacer les pièces défectueuses ou endommagées par un réparateur agréé.
- ◆ Ne tentez jamais de retirer ou de remplacer des pièces autres que celles citées dans ce manuel.

## Consignes de sécurité spécifiques aux lampes torches

Le symbole de sécurité suivant se trouve sur votre lampe torche :



Ne touchez en aucun cas la lentille, elle chauffe pendant l'éclairage et reste chaude plusieurs minutes après avoir éteint la lampe torche.

- ◆ Laissez la lampe torche refroidir complètement avant de la ranger ou de la charger.
- ◆ Tenez les matériaux combustibles éloignés de la lentille. Une forte chaleur peut enflammer l'appareil.
- ◆ Ne posez jamais la lampe avec la lumière vers le bas quand elle est allumée ou en train de refroidir.
- ◆ Ne laissez pas l'appareil sans surveillance. Éloignez les enfants et les animaux de la zone de travail.
- ◆ Vérifiez qu'il n'existe aucun impact sur la lentille. Assurez-vous que la lampe torche n'est jamais tombée. Ne la faites jamais fonctionner sans la lentille ou si celle-ci est endommagée.
- ◆ La lentille est en verre. Elle peut se fendre ou se briser en cas d'impact. Si elle est endommagée, il faut la remplacer par une pièce d'origine. Portez des gants pour éviter les blessures avec les bords tranchants.
- ◆ Ne regardez jamais directement la lumière. N'orientez jamais la lampe allumée vers les yeux d'une autre personne.
- ◆ Ne plongez pas la lampe torche dans l'eau.
- ◆ En cas de changement, seul le type d'ampoule indiqué dans les données techniques est approprié.
- ◆ Seuls les adaptateurs de charge Black & Decker fournis avec l'appareil peuvent être utilisés. Branchez d'abord l'adaptateur de charge à la lampe torche, puis dans la prise.

## Consignes de sécurité supplémentaires concernant les batteries et les chargeurs

### Batteries

- ◆ En aucun cas, n'essayez d'ouvrir l'appareil.
- ◆ Ne mettez pas la batterie en contact avec l'eau.
- ◆ Ne le rangez pas dans des endroits où la température peut dépasser 40 °C.

- ◆ Ne chargez qu'à température ambiante comprise entre 10 °C et 40 °C.
- ◆ N'utilisez que les chargeurs fournis avec l'appareil.
- ◆ Pour jeter les batteries, suivez les instructions données dans la section "Protection de l'environnement".
- ◆ Dans des conditions extrêmes, il peut y avoir une fuite de batterie. Si vous détectez une fuite, utilisez un chiffon pour essuyer le liquide avec précaution. Évitez le contact avec la peau.
- ◆ En cas de contact avec la peau ou les yeux, suivez les instructions ci-dessous.

**Attention !** Le liquide de batterie est un acide sulfurique dilué qui peut provoquer des blessures et des dommages. En cas de contact avec la peau, rincez immédiatement à l'eau. Si des rougeurs, une douleur ou une irritation se produisent, consultez un médecin. En cas de contact avec les yeux, rincez à l'eau et consultez immédiatement un médecin.

### Chargeurs

La tension de votre chargeur est spécifique. Vérifiez toujours si la tension indiquée sur la plaque signalétique de l'appareil correspond à la tension de secteur.

**Attention !** N'essayez jamais de remplacer le chargeur par une prise secteur.

N'utilisez votre chargeur Black & Decker que pour charger la batterie fournie avec l'appareil. D'autres batteries pourraient exploser, provoquant des blessures et des dommages.

- ◆ Ne tentez jamais de recharger des batteries non rechargeables.
- ◆ Remplacez immédiatement les fils électriques endommagés.
- ◆ N'approchez pas le chargeur de l'eau.
- ◆ N'ouvrez pas le chargeur.
- ◆ Ne testez pas le chargeur.

Placez la batterie dans un endroit correctement aéré pour la charger.

### NE PAS DÉPASSER LE TEMPS DE CHARGE :

- ◆ Alimentation c.a. jusqu'à 14 heures maximum.
- ◆ Alimentation c.c. jusqu'à 14 heures maximum.
- ◆ Une fois chargée, débranchez l'adaptateur de charge et attendez 5 minutes avant d'utiliser l'appareil.

### Les symboles suivants se trouvent sur votre chargeur :



Votre support de charge est doublement isolé; par conséquent, aucun câble de masse n'est nécessaire.



Transformateur avec isolation de sécurité. L'alimentation secteur est électriquement indépendante de la sortie du transformateur.



Le chargeur est automatiquement mis hors service si la température ambiante devient trop élevée. Il est alors impossible de l'utiliser. Débranchez la base du chargeur de l'alimentation secteur pour la faire réparer dans un centre agréé.



Le support de charge ne peut être utilisé qu'à l'intérieur.

### Sécurité électrique



Cet outil est doublement isolé; par conséquent, aucun câble de masse n'est nécessaire. Vérifiez si l'alimentation mentionnée sur la plaque signalétique de l'appareil correspond bien à la tension présente sur le lieu.

- ◆ Si le câble d'alimentation est endommagé, il doit être remplacé par le fabricant ou par un Centre de réparation agréé Black & Decker pour éviter tout risque.

### Caractéristiques

Certains, ou tous, les éléments suivants sont compris avec cet appareil :

1. Ampoule quartz-halogène remplaçable
2. Bague en caoutchouc
3. Témoin lumineux d'état de batterie
4. Bouton de blocage du déclencheur
5. Poignée
6. Boucle d'accrochage
7. Jack du chargeur
8. Câble d'alimentation c.c. du véhicule
9. Adaptateur de charge au secteur
10. Déclencheur de réglage de luminosité, 3 positions
11. Prise de charge 12 V c.c.

### Charge de la lampe torche (figures A - C)

- ◆ À la livraison, cette lampe torche est en partie chargée. Avant la première utilisation, chargez-la avec l'adaptateur de charge au secteur (9) pendant 12-14 heures ou jusqu'à ce que le témoin vert d'état de la batterie (3) s'allume.
- ◆ Après chaque utilisation, rechargez la lampe torche jusqu'à ce que le témoin vert d'état de la batterie (3) s'allume.

Pour vérifier l'état de charge de la batterie, appuyez sur le bouton pousoir (3) d'état de la batterie.

Les témoins lumineux affichent le niveau de charge.

- ◆ Le témoin rouge signale que la charge de batterie est presque terminée.
- ◆ Une charge élevée est signalée par deux témoins rouges.
- ◆ Le témoin vert s'allume quand la charge est au maximum.

## Charge avec le chargeur sur l'alimentation secteur (figures A - C)

- ◆ Assurez-vous que la lampe torche est éteinte (le bouton de blocage du déclencheur (4) est en position Off (arrêt) et le déclencheur (10) n'est pas appuyé).

**Attention !** Le chargement de la batterie ne doit pas dépasser 14 heures.

- ◆ Insérez le jack du chargeur (7) dans la prise de charge de 12 V c.c. (11).
- ◆ Insérez l'adaptateur de charge au secteur (9) dans une prise de secteur.
- ◆ Chargez la batterie jusqu'à ce que le témoin vert (3) s'allume (ceci prend environ 12-14 heures).

## Charge avec le câble d'alimentation c. c. du véhicule (figures A - C)

- ◆ Assurez-vous que la lampe torche est éteinte (le bouton de blocage du déclencheur (4) est en position Off (arrêt) et le déclencheur (10) n'est pas appuyé).

**Attention !** La mise en charge ne doit pas dépasser 14 heures.

- ◆ Insérez le jack du chargeur (7) dans la prise de charge de 12 V c.c. (11).
- ◆ Insérez la prise du câble d'alimentation c.c. du véhicule (8) dans la prise des accessoires du véhicule ou dans toute autre source d'alimentation de 12 V c.c.
- ◆ Chargez la batterie jusqu'à ce que le témoin vert (3) s'allume (ceci prend environ 13-14 heures).

Assurez-vous que la source c.c., c'est à dire le câble volant, le bloc-batterie, la prise des accessoires du véhicule, etc. correspond à 12 V c.c. et peut fournir une intensité de 0,5 A à 12 V c.c. pendant 8 heures. Ceci signifie que la charge du bloc-batterie doit correspondre à un minimum de 4A/heure.

**Remarque :** pour charger la batterie avec la prise des accessoires de 12 V c.c. du véhicule, le démarrage peut être nécessaire.

## UTILISATION

### Fonctionnement de la lampe torche (figure B)

- ◆ Baissez le bouton de blocage du déclencheur (4) en position Off (arrêt).
- ◆ Appuyez sur le déclencheur (10) pour allumer la lampe torche.
- ◆ Appuyez plusieurs fois à une seconde d'intervalle sur le déclencheur (10) pour augmenter l'intensité d'éclairage de faible à fort.
- ◆ Pour bloquer le déclencheur (10) en position On (marche), appuyez sur le déclencheur jusqu'à ce que l'intensité d'éclairage désirée soit obtenue, puis montez le bouton de blocage (4) en position On (marche).
- ◆ Pour éteindre la lampe torche, placez le bouton de blocage du déclencheur (4) en position Off (arrêt).

### Utilisation de la boucle d'accrochage

- ◆ La boucle d'accrochage (6) peut être utilisée pour ranger ou porter la lampe torche. Réglez la longueur des cordons pour accrocher correctement la lampe torche.

## ENTRETIEN

Votre outil Black & Decker a été conçu pour fonctionner pendant longtemps avec un minimum d'entretien.

Un fonctionnement continu satisfaisant dépend d'un nettoyage régulier et d'un entretien approprié de l'outil.

**Attention !** Avant d'effectuer des réparations ou un nettoyage de l'appareil, débranchez-le.

- ◆ De temps en temps, passez un chiffon humide sur l'appareil. N'utilisez pas de produit abrasif ou à base de solvant. Ne plongez pas l'appareil dans l'eau.

### Remplacement de l'ampoule (figures D et E)

Pour remplacer l'ampoule (1), utilisez un petit tournevis cruciforme et une ampoule de rechange, comme indiqué dans les données techniques.

**Attention !** Ne touchez en aucun cas le verre de l'ampoule.

La durée de vie de l'ampoule peut être moins longue s'il y a des traces de poussière ou des empreintes sur le verre.

L'ampoule (1) peut être essuyée avec un chiffon imbibé d'un produit de nettoyage à base d'alcool.

- ◆ Débranchez la lampe torche des adaptateurs de charge.
- ◆ Levez et poussez la bague en caoutchouc (2) vers l'avant de la lampe torche pour accéder aux deux petites vis cruciformes (12) dans la bague de fixation (13).
- ◆ Retirez et mettez de côté les deux vis (12).
- ◆ Retirez et mettez de côté la bague de fixation (13), la lentille (12) et le joint en caoutchouc (15).
- ◆ Retirez avec précaution le réflecteur (16) et l'ampoule.
- ◆ Débranchez le fil de l'ampoule (17) du câble d'alimentation.
- ◆ Retirez l'agrafe de fixation (18) du bord du réflecteur (figure E).
- ◆ Retirez la vis (19) et détachez le câble.
- ◆ Retirez l'ampoule (1) et détachez le câble.
- ◆ Insérez l'ampoule de rechange (1) dans le bord du réflecteur (16).
- ◆ Installez l'agrafe de fixation (18) dans le bord du réflecteur (16).
- ◆ Installez le câble avec la vis (19).
- ◆ Branchez le fil de l'ampoule (17) au câble d'alimentation.
- ◆ Placez le réflecteur (16) sur le boîtier de la lampe torche.
- ◆ Installez le joint en caoutchouc (15) dans la rainure autour du périmètre du réflecteur (16).
- ◆ Installez la lentille (12) et la bague de fixation (13) en alignant les trous de vis.
- ◆ Serrez la bague de fixation (13) avec les deux vis (12).
- ◆ Installez la bague en caoutchouc (2).

## Remplacement du fusible dans le câble d'alimentation c.c. du véhicule

- ◆ Tournez le bouchon doré dans le sens inverse des aiguilles d'une montre pour le retirer.
- ◆ Retirez la rondelle en caoutchouc, la goupille centrale et le ressort.
- ◆ Retirez le fusible.
- ◆ Installez un fusible neuf de même type et dimension (0,5 A).
- ◆ Installez la goupille centrale, le ressort et la rondelle en caoutchouc.
- ◆ Tournez le bouchon doré dans le sens des aiguilles d'une montre pour l'installer.

## Protection de l'environnement



Si votre appareil doit être remplacé ou si vous n'en avez plus l'usage, songez à la protection de l'environnement. Les réparateurs agréés Black & Decker accepteront la collecte d'anciens outils Black & Decker et veilleront à ce que leur mise au rebut ne porte pas atteinte à l'environnement.



La collecte séparée des produits et des emballages usagés permet de recycler et de réutiliser des matériaux. La réutilisation de matériaux recyclés évite la pollution de l'environnement et réduit la demande de matières premières.

Des réglementations locales peuvent stipuler la collecte séparée des produits électriques et des produits ménagers, dans des déchetteries municipales ou par le revendeur lorsque vous achetez un nouveau produit.

Black & Decker fournit un dispositif permettant de recycler les produits Black & Decker lorsqu'ils ont atteint la fin de leur cycle de vie. Pour pouvoir profiter de ce service, veuillez retourner votre produit à un réparateur agréé qui se chargera de le collecter pour nous.

Pour connaître l'adresse du réparateur agréé le plus proche de chez vous, contactez le bureau Black & Decker à l'adresse indiquée dans ce manuel. Vous pourrez aussi trouver une liste de réparateurs agréés de Black & Decker et de plus amples détails concernant notre service après-vente sur le site Internet : **www.2helpU.com**.



Les batteries Black & Decker peuvent être rechargées à n'importe quel moment. Quand elles sont hors d'usage, jetez-les en respectant les normes de protection de l'environnement.

- ◆ Ne jetez pas la batterie dans le feu, celle-ci pourrait exploser.
- ◆ Les batteries au plomb (Pb) sont recyclables. Elles ne doivent pas être jetées avec les déchets ménagers. Si vous ne pouvez pas recycler la batterie, vous devez la retirer, comme décrit ci-dessous, et la mettre au rebut conformément aux réglementations locales.

- ◆ Ne court-circuitez pas les bornes de la batterie.
- ◆ Tenez compte du fait qu'une batterie est lourde.
- ◆ Si possible, faites fonctionner l'appareil pour décharger complètement la batterie.

Veillez consulter le schéma éclaté au dos de ce manuel pour vérifier comment retirer les batteries.

Placez la batterie dans un emballage approprié pour éviter un court-circuit des bornes.

Déposez la batterie chez un technicien d'entretien ou dans un centre de recyclage local. Elles seront ainsi recyclées ou mises au rebut de manière appropriée.

## Caractéristiques techniques

		BDV156
Tension d'entrée	V c.c.	12
Courant d'entrée	mA	300 max
Poids	kg	1,3
Batterie	Type	6V 3Ah SLA
Ampoule	Type	H3
<b>Chargeur</b>		
Entrée	V c.a.	230
Charge approximative	h	14
Poids	kg	0,2

## Déclaration de conformité CE

BDV156

Black & Decker déclare que ces produits sont conformes à :  
Normes & législation.

73/23/CEE, 89/336/CEE, 95/54/EC, EN60335, EN61000,  
EN60598, EN61347, EN55014

Kevin Hewitt  
Directeur Ingénierie Client  
Spennymoor, County Durham  
DL16 6JG,  
Royaume-Uni  
31-08-2006

## Garantie

Black & Decker vous assure la qualité de ses produits et vous offre une garantie très étendue. Ce certificat de garantie est un document supplémentaire et ne peut en aucun cas se substituer à vos droits légaux. La garantie est valable sur tout le territoire des États Membres de l'Union Européenne et de la Zone de Libre Échange Européenne.

Si un produit Black & Decker s'avère défectueux en raison de matériaux en mauvais état, d'une erreur humaine, ou d'un manque de conformité dans les 24 mois suivant la date d'achat, Black & Decker garantit le remplacement des pièces défectueuses, la réparation des produits usés ou

cassés ou remplace ces produits à la convenance du client, sauf dans les circonstances suivantes :

- ◆ Le produit a été utilisé dans un but commercial, professionnel, ou a été loué.
- ◆ Le produit a été mal utilisé ou avec négligence.
- ◆ Le produit a subi des dommages à cause de corps étrangers, de substances ou d'accidents.
- ◆ Des réparations ont été tentées par des techniciens ne faisant pas partie du service technique de Black & Decker.

Pour avoir recours à la garantie, il est nécessaire de fournir une preuve d'achat au vendeur ou à un réparateur agréé.

Pour connaître l'adresse du réparateur agréé le plus proche de chez vous, contactez le bureau Black & Decker à l'adresse indiquée dans ce manuel. Vous pourrez aussi trouver une liste de réparateurs agréés de Black & Decker et de plus amples détails sur notre service après-vente sur le site Internet à l'adresse suivante :

**[www.2helpU.com](http://www.2helpU.com)**

Visitez notre site Web **[www.blackanddecker.fr](http://www.blackanddecker.fr)** pour enregistrer votre nouveau produit Black & Decker et être informé des nouveaux produits et des offres spéciales. Pour plus d'informations concernant la marque Black & Decker et notre gamme de produits, consultez notre site

**[www.blackanddecker.fr](http://www.blackanddecker.fr)**.



## Uso previsto

Il faretto Black & Decker è stato progettato per l'illuminazione durante l'esecuzione di lavori Fai da te e per il tempo libero. Questo prodotto è stato progettato solo per uso individuale.

## Istruzioni di sicurezza

**Attenzione!** Quando si usano elettrodomestici alimentati a batteria, osservare sempre le normali precauzioni di sicurezza per ridurre il rischio di incendio, di perdita di liquido dalle batterie, di lesioni personali e di danni materiali.

- ◆ Leggere attentamente il presente manuale prima di usare l'elettrodomestico.
- ◆ L'uso previsto è descritto nel presente manuale. Se questo elettrodomestico viene usato con accessori o per usi diversi da quelli raccomandati nel presente manuale d'uso, si potrebbero verificare lesioni personali.
- ◆ Conservare il presente manuale per futura consultazione.

## Utilizzo dell'elettrodomestico

Prestare sempre attenzione quando si usa l'elettrodomestico.

- ◆ L'utilizzo di questo elettrodomestico non è destinato a ragazzi o persone inferme senza supervisione.
- ◆ Questo elettrodomestico non deve essere usato come un giocattolo.
- ◆ Usare solo in un luogo asciutto. Evitare che il prodotto si bagni.
- ◆ Non immergere l'elettrodomestico in acqua.
- ◆ Non aprire il corpo del faretto, dato che al suo interno non vi sono componenti riparabili.
- ◆ Evitare d'impiegare questo apparecchio in ambienti esposti al rischio di esplosione, ad esempio in presenza di liquidi, gas o polveri infiammabili.
- ◆ Per ridurre il rischio di danni a spine o fili, non tirare mai il filo per scollegare la spina da una presa.

## Dopo l'impiego

- ◆ Quando non viene usato, l'apparecchio deve essere conservato in un luogo asciutto e ben ventilato, fuori dalla portata dei bambini.
- ◆ Gli elettrodomestici non devono essere riposti alla portata dei bambini.
- ◆ Se viene conservato o trasportato in un veicolo, l'apparecchio deve essere messo nel bagagliaio o legato per evitare che si sposti in caso di cambiamento repentino della velocità o della direzione di marcia.
- ◆ L'apparecchio deve essere protetto dalla luce diretta del sole, dal calore e dall'umidità.

## Ispezione e riparazioni

- ◆ Prima dell'impiego, controllare che l'elettrodomestico non sia danneggiato e non presenti parti difettose. Controllare che non vi siano parti rotte, che gli interruttori non siano danneggiati e che non vi siano altre condizioni che potrebbero avere ripercussioni sulle prestazioni.
- ◆ Non usare l'elettrodomestico se alcune parti sono danneggiate o difettose.
- ◆ Far riparare o sostituire le parti danneggiate o difettose da un tecnico autorizzato.
- ◆ Non tentare di smontare o sostituire qualsiasi parte ad eccezione di quelle specificate nel presente manuale.

## Istruzioni di sicurezza specifiche per i faretto

Il seguente simbolo di sicurezza è stampato sul faretto:



Non toccare la lente dato che diventa molto calda quando il faretto è acceso e rimane calda per vari minuti dopo lo spegnimento.

- ◆ Lasciare che il faretto si raffreddi completamente prima di metterlo via o di ricaricarlo.
- ◆ Tenere i materiali combustibili lontanidalla lente del faretto. Il calore molto intenso può causare incendi.
- ◆ Non appoggiare mai il faretto a faccia in giù su qualsiasi superficie quando è acceso o mentre si sta raffreddando.
- ◆ Non lasciare il faretto incustodito. Tenere bambini e animali lontani dalla zona di lavoro.
- ◆ Ispezionare la lente per vedere che non sia danneggiata a seguito di colpi o se il faretto viene fatto cadere. Non usare il faretto senza lente o se la lente è danneggiata.
- ◆ La lente è di vetro. Se viene colpita, può incrinarsi o rompersi. Se subisce danni, la lente deve essere sostituita con ricambi originali. Indossare guanti dato che bordi taglienti possono causare lesioni.
- ◆ Non guardare mai direttamente nel fascio luminoso e non puntare mai la luce negli occhi di un'altra persona.
- ◆ Non immergere il faretto in acqua.
- ◆ Sostituire la lampadina solo con il tipo indicato nei dati tecnici.
- ◆ Usare solo con gli adattatori di ricarica Black & Decker forniti con l'apparecchio. Collegare l'adattatore di ricarica prima al faretto e poi nella presa di ricarica.

## Istruzioni di sicurezza addizionali per batterie e alimentatori

### Batterie

- ◆ Non tentare di aprirle per qualsiasi ragione.
- ◆ Evitare che la batteria si bagni.
- ◆ Non riporle in luoghi dove la temperatura potrebbe superare i 40 °C.
- ◆ Caricare solo a temperature ambiente tra 10 °C e 40 °C.

- ◆ Caricare solo usando gli alimentatori forniti con l'apparecchio.
- ◆ Quando si smaltiscono le batterie, seguire le istruzioni riportate al capitolo "Protezione dell'ambiente".
- ◆ In condizioni estreme, si potrebbe verificare la perdita di liquido dalle batterie. Se si nota la presenza di liquido sulle batterie, pulirle con attenzione con uno straccio. Evitare il contatto con l'epidermide.
- ◆ In caso di contatto con la pelle o gli occhi, seguire le istruzioni riportate di seguito.

**Attenzione!** Il liquido della batteria è acido solforico diluito e può causare lesioni alle persone e danni alle cose. In caso di contatto con la pelle, risciacquare immediatamente con acqua. In caso di rossore, dolore o irritazione, rivolgersi immediatamente ad un medico. In caso di contatto con gli occhi, risciacquarli immediatamente con acqua pulita e consultare subito un medico.

## Alimentatori

L'alimentatore è stato progettato per una tensione specifica. Controllare sempre che la tensione di rete corrisponda alla tensione indicata sulla targhetta dati.

**Attenzione!** Non tentare mai di sostituire l'alimentatore con una normale spina di rete.

Usare l'alimentatore Black & Decker solo per ricaricare la batteria nell'apparecchio con il quale è stato fornito. Altre batterie potrebbero scoppiare causando lesioni alle persone e danni.

- ◆ Non tentare mai di ricaricare batterie non ricaricabili.
- ◆ Fare sostituire immediatamente i fili difettosi.
- ◆ Evitare che l'alimentatore si bagni.
- ◆ Non aprire l'alimentatore.
- ◆ Non collegare l'alimentatore a sonde.

La batteria deve essere lasciata in una zona ben ventilata durante la ricarica.

## NON SOVRACCARICARLA:

- ◆ Ricarica c.a. di 14 ore massimo.
- ◆ Ricarica c.c. di 14 ore massimo.
- ◆ Dopo la ricarica, scollegare l'adattatore di ricarica e attendere 5 minuti prima di usare il faretto.

## Sull'alimentatore sono presenti i seguenti simboli:



Il doppio isolamento di cui è provvista la base di ricarica rende superfluo il filo di terra.



Trasformatore di isolamento con protezione incorporata. L'alimentazione di rete è separata elettricamente dall'erogazione del trasformatore.



L'alimentatore si spegne automaticamente se la temperatura ambiente aumenta eccessivamente. Di conseguenza l'alimentatore diventa inutilizzabile. In questi casi la base di ricarica deve essere scollegata dall'alimentazione di rete e portata presso un centro di assistenza autorizzato per le necessarie riparazioni.



La base di ricarica può solo essere usata all'interno.

## Sicurezza elettrica



Il doppio isolamento di cui è provvisto l'elettrodomestico rende superfluo il filo di terra. Controllare sempre che l'alimentazione corrisponda alla tensione indicata sulla targhetta delle caratteristiche.

- ◆ In caso di danneggiamento del cavo di alimentazione, è necessario farlo riparare dal fabbricante o presso un centro assistenza Black & Decker autorizzato in modo da evitare eventuali pericoli.

## Caratteristiche

Questo elettrodomestico è dotato di:

1. Lampadina alogena al quarzo sostituibile
2. Ghiera di protezione in gomma
3. Spia LED di carica della batteria
4. Blocca interruttore
5. Impugnatura
6. Cordone per il trasporto
7. Spinotto alimentatore
8. Alimentatore c.c. da auto
9. Adattatore di rete
10. Interruttore regolazione luminosità a tre posizioni
11. Presa per ricarica a 12 V c.c.

## Ricarica del faretto (figg. A - C)

- ◆ Questo faretto viene spedito semicarico. Ricaricare il faretto prima del primo impiego usando l'adattatore di rete (9) per 12-14 ore o fino a quando si accende il LED verde di carica della batteria (3).
- ◆ Caricarlo dopo ogni impiego fino a quando si accende il LED verde di carica della batteria (3).

Per controllare in qualsiasi momento lo stato di carica della batteria, premere il pulsante di carica della batteria (3).

Le spie LED indicano il livello di carica.

- ◆ Un LED rosso indica che il faretto deve essere ricaricato non appena possibile.
- ◆ Due LED rossi indicano un livello di carica elevato.
- ◆ Il LED verde si accende per indicare che il faretto è completamente carico.

**Ricarica usando l'alimentatore di rete (figg. A - C)**

- ◆ Verificare che il faretto sia spento (il blocco interruttore (4) è disinserito e l'interruttore (10) non è premuto).

**Attenzione!** Non ricaricare per più di 14 ore.

- ◆ Infilare lo spinotto dell'alimentatore (7) nella presa di ricarica da 12 V c.c. (11).
- ◆ Infilare l'adattatore di rete (9) in una presa di rete.
- ◆ Caricare fino a quando si accende il LED verde di carica della batteria (3) (12-14 ore circa).

**Ricarica con l'alimentatore c.c. da auto (figg. A - C)**

- ◆ Verificare che il faretto sia spento (il bloccointerruttore (4) è disinserito e l'interruttore (10) non è premuto).

**Attenzione!** Non ricaricare per più di 14 ore.

- ◆ Infilare lo spinotto dell'alimentatore (7) nella presa di ricarica da 12 V c.c. (11).
- ◆ Infilare la spina dell'alimentatore c.c. da auto (8) nella presa per gli accessori sull'auto o in un'altra presa da 12 V c.c.
- ◆ Caricare fino a quando si accende il LED verde di carica della batteria (3) (13-14 ore circa).

Accertarsi che l'alimentazione c.c., ad esempio avviatore di batteria, caricabatterie, presa accessori, ecc. sia di 12 V c.c. e in grado di alimentare almeno 0,5 A a 12 V c.c. per otto ore. Questo significa che la batteria dovrebbe essere ricaricata con una capacità di almeno 4 A/h.

**Nota:** Quando l'alimentazione viene eseguita mediante la presa accessori da 12 V c.c. dell'auto, può essere necessario inserire l'accensione dell'auto per alimentare la presa accessori.

**USO****Funzionamento del faretto (fig. B)**

- ◆ Disinserire il blocco interruttore (4) (posizione "off").
- ◆ Premere l'interruttore (10) per accendere il faretto.
- ◆ Premere l'interruttore (10) ripetutamente ad intervalli di un secondo per aumentare il livello di luminosità da debole a brillante.
- ◆ Per bloccare l'interruttore (10) in posizione accesa, premerlo fino ad ottenere il livello di luminosità desiderato e quindi spostare il blocco interruttore (4) in su sulla posizione "on".
- ◆ Per spegnere il faretto, spostare il blocco interruttore (4) in giù sulla posizione "off".

**Utilizzo del cordone per il trasporto**

- ◆ Il cordone per il trasporto (6) può essere usato per appendere o trasportare il faretto. Regolare il corsoio per meglio fissare il cordone attorno al supporto.

**MANUTENZIONE**

Questo elettrodomestico Black & Decker è stato progettato per funzionare a lungo con un minimo di manutenzione.

Per ottenere prestazioni sempre soddisfacenti occorre avere cura dell'elettrodomestico e sottoporlo a manutenzione periodica.

**Attenzione!** Prima di eseguire la manutenzione dell'elettrodomestico oppure di pulirlo, scollegarlo dalla presa.

- ◆ Strofinare di tanto in tanto l'elettrodomestico con un panno umido. Non usare materiali abrasivi o detersivi a base di solventi. Non immergere l'elettrodomestico in acqua.

**Sostituzione della lampadina (figg. D ed E)**

Per sostituire la lampadina (1) serve un piccolo cacciavite con taglio a croce e una lampadina di ricambio come indicato nei dati tecnici.

**Attenzione!** Non toccare la parte in vetro della lampadina. La lampadina dura di meno se viene montata sporca o con ditate.

La lampadina (1) può essere pulita con un panno inumidito con un prodotto detergente a base di alcol.

- ◆ Scollegare il faretto da eventuali adattatori di ricarica.
- ◆ Sollevare la ghiera di protezione in gomma (2) e spingerla in avanti verso la parte anteriore del faretto per scoprire due piccole viti con taglio a croce (12) nella ghiera di ritenuta (13).
- ◆ Svitare e conservare le due viti (12).
- ◆ Sollevare la ghiera di ritenuta (13), la lente di vetro (12) e l'O ring in gomma (15) e appoggiarli di lato.
- ◆ Staccare con attenzione la parabola (16) e la lampadina.
- ◆ Scollegare il filo della lampadina (17) dal filo di alimentazione.
- ◆ Sganciare il fermo di ritenuta (18) dalla flangia della parabola (fig. E).
- ◆ Svitare la vite (19) e staccare il filo.
- ◆ Togliere la lampadina (1) e staccare il filo.
- ◆ Infilare la lampadina di ricambio (1) nella flangia della parabola (16).
- ◆ Mettere il fermo di ritenuta (18) nella flangia della parabola (16).
- ◆ Collegare il filo con la vite (19).
- ◆ Collegare il filo della lampadina (17) al filo di alimentazione.
- ◆ Appoggiare la parabola (16) in sede sul corpo del faretto.
- ◆ Infilare l'O-ring in gomma (15) nella gola lungo la circonferenza della parabola (16).
- ◆ Inserire la lente in vetro (12) e la ghiera di ritenuta (13) in modo che i fori delle viti siano allineati.
- ◆ Fissare la ghiera di ritenuta (13) con le due viti (12).
- ◆ Montare la ghiera di protezione in gomma (2).

## Sostituzione del fusibile nell'alimentatore c.c. dell'auto

- ◆ Staccare la calotta dorata ruotandola in senso antiorario.
- ◆ Sfilare la rondella in gomma, la spina centrale e la molla.
- ◆ Estrarre il fusibile.
- ◆ Montare un nuovo fusibile del medesimo tipo e misura (0,5 A).
- ◆ Infilare la spina centrale, la molla e la rondella in gomma.
- ◆ Mettere la calotta dorata ruotandola in senso orario sulla spina.

## Protezione dell'ambiente



Nel caso in cui l'elettrodomestico debba essere sostituito o comunque non serve più, pensare alla tutela dell'ambiente. È infatti possibile restituirlo ai tecnici Black & Decker che provvederanno a smaltirlo in modo sicuro per l'ambiente.



La raccolta differenziata dei prodotti e degli imballaggi utilizzati consente il riciclaggio dei materiali e il loro continuo utilizzo. Il riutilizzo dei materiali riciclati favorisce la protezione dell'ambiente prevenendo l'inquinamento e riduce il fabbisogno di materie prime.

Seguire la regolamentazione locale per la raccolta differenziata dei prodotti elettrici che può prevedere punti di raccolta o la consegna dell'elettrodomestico al rivenditore presso il quale viene acquistato un nuovo prodotto.

Black & Decker offre ai suoi clienti la possibilità di riciclare i prodotti Black & Decker che hanno esaurito la loro vita di servizio. Per usufruire di tale servizio, è sufficiente restituire il prodotto a qualsiasi tecnico autorizzato, incaricato della raccolta per conto dell'azienda.

Per individuare il tecnico autorizzato più vicino, rivolgersi alla sede Black & Decker locale, presso il recapito indicato nel presente manuale. In alternativa, un elenco completo di tutti i tecnici autorizzati Black & Decker e i dettagli completi sui contatti e i servizi post-vendita sono disponibili su Internet presso: **www.2helpU.com**.



Le batterie Black & Decker possono essere ricaricate molte volte. Alla fine della loro vita utile, smaltirle in conformità alle norme ambientali.

- ◆ Non smaltire le batterie bruciandole dato che si potrebbe causare un'esplosione.
- ◆ Le batterie al piombo (Pb) sono riciclabili. Esse non devono essere smaltite con i normali rifiuti domestici. Se non è possibile usufruire di un programma di riciclaggio del prodotto, la batteria deve essere estratta come descritto di seguito e smaltita in base alle norme vigenti.
- ◆ Non cortocircuitare i terminali della batteria.

- ◆ Fare attenzione dato che la batteria è pesante.
- ◆ Se possibile, far funzionare l'apparecchio in modo da scaricare del tutto la batteria.

Consultare la vista esplosa sul retro del presente manuale per facilitare l'estrazione delle batterie.

Imballare la batteria in modo idoneo per evitare che i terminali possano essere cortocircuitati.

Portare la batteria dal tecnico autorizzato o presso il centro di riciclaggio di zona. Le batterie raccolte verranno riciclate oppure smaltite in modo adeguato.

## Dati tecnici

BDV156		
Tensione in ingresso	V C.C.	12
Corrente in ingresso	mA	300 max
Peso	kg	1,3
Batteria	Tipo	6 V 3 A/h SLA
Lampadina	Tipo	H3
<b>Alimentatore</b>		
Ingresso	V C.A.	230
Tempo di ricarica approssimativo	h	14
Peso	kg	0,2

## Dichiarazione CE di conformità

BDV156

Black & Decker dichiara che i presenti prodotti sono conformi alle normative:

Norme e leggi.

73/23/CEE, 89/336/CEE, 95/54/CE, EN60335, EN61000, EN60598, EN61347, EN55014

Kevin Hewitt

Direttore tecnico prodotti di consumo

Spennymoor, County Durham

DL16 6JG,

Regno Unito

31-08-2006

## Garanzia

Certa della qualità dei suoi prodotti, Black & Decker offre una garanzia eccezionale. Il presente certificato di garanzia è complementare ai diritti legali e non li pregiudica in alcun modo. La garanzia è valida entro il territorio degli Stati membri dell'Unione Europea e dell'EFTA (European Free Trade Area).

Se un prodotto Black & Decker risulta difettoso per qualità del materiale, della costruzione o per mancata conformità entro 24 mesi dalla data di acquisto, Black & Decker garantisce la sostituzione delle parti difettose, provvede alla riparazione dei prodotti se ragionevolmente usurati oppure alla loro sostituzione, in modo da ridurre al minimo il disagio del cliente a meno che:

- ◆ Il prodotto non sia stato destinato ad usi commerciali, professionali o al noleggio;
- ◆ Il prodotto non sia stato usato in modo improprio o scorretto;
- ◆ Il prodotto non abbia subito danni causati da oggetti o sostanze estranee oppure incidenti;
- ◆ Il prodotto non abbia subito tentativi di riparazione non effettuati da tecnici autorizzati né dall'assistenza Black & Decker.

Per attivare la garanzia è necessario esibire la prova comprovante l'acquisto al venditore o al tecnico autorizzato. Per individuare il tecnico autorizzato più vicino, rivolgersi alla sede Black & Decker locale, presso il recapito indicato nel presente manuale. Altrimenti un elenco completo di tutti i tecnici autorizzati Black & Decker e i dettagli completi sui contatti e i servizi post-vendita sono disponibili su Internet presso:

**[www.2helpU.com](http://www.2helpU.com)**

I clienti che desiderano registrare il nuovo prodotto Black & Decker e ricevere gli aggiornamenti sui nuovi prodotti e le offerte speciali, sono invitati a visitare il sito Web (**[www.blackanddecker.it](http://www.blackanddecker.it)**). Ulteriori informazioni sul marchio e la gamma di prodotti Black & Decker sono disponibili all'indirizzo **[www.blackanddecker.it](http://www.blackanddecker.it)**.

## Beoogd gebruik

De Black & Decker schijnwerper is ontworpen als verlichting bij doe-het-zelfprojecten en voor gebruik in uw vrije tijd. Het product is uitsluitend bestemd voor consumentengebruik.

## Veiligheidsinstructies

**Waarschuwing!** Bij batterijgevoede apparaten moeten bepaalde elementaire voorzorgsmaatregelen, waaronder de navolgende, in acht worden genomen om het gevaar voor brand, lekkende batterijen, persoonlijk letsel en materiële schade tot een minimum te beperken.

- ◆ Lees deze handleiding zorgvuldig door voordat u het apparaat in gebruik neemt.
- ◆ In deze handleiding wordt ingegaan op het beoogde gebruik. Het gebruik van andere accessoires of hulpstukken dan wel de uitvoering van andere handelingen dan in deze gebruikershandleiding worden aanbevolen, kan tot persoonlijk letsel leiden.
- ◆ Bewaar deze handleiding zorgvuldig zodat u deze altijd nog eens kunt raadplegen.

## Gebruik van het apparaat

Ga bij gebruik van het apparaat altijd voorzichtig werk.

- ◆ Dit apparaat mag niet zonder supervisie door jonge of lichamelijk zwakke mensen worden gebruikt.
- ◆ Het apparaat mag niet als speelgoed worden gebruikt.
- ◆ Gebruik het apparaat alleen in een droge locatie. Het apparaat mag niet nat worden.
- ◆ Dompel het apparaat niet onder in water.
- ◆ Open de behuizing niet. Het apparaat bevat geen onderdelen die door de gebruiker kunnen worden gerepareerd.
- ◆ Gebruik het apparaat niet in een omgeving met explosiegevaar, zoals in de nabijheid van brandbare vloeistoffen, gassen of stof.
- ◆ Haal de stekker nooit uit het stopcontact door aan de kabel te trekken. Zo voorkomt u beschadiging aan de stekker of de kabel.

## Na gebruik

- ◆ Bewaar het apparaat na gebruik op een droge, goed geventileerde plaats, buiten het bereik van kinderen.
- ◆ Zorg dat het bewaarde apparaat niet toegankelijk is voor kinderen.
- ◆ Wanneer het apparaat in de auto ligt, moet u het apparaat in de kofferruimte plaatsen of goed vastzetten, zodat het apparaat niet kan wegschieten bij plotselinge veranderingen in snelheid of richting.
- ◆ Het apparaat mag niet worden blootgesteld aan direct zonlicht, hitte en vocht.

## Inspectie en reparaties

- ◆ Controleer het apparaat vóór gebruik op beschadigingen en defecten. Controleer het vooral op gebroken onderdelen, schade aan de schakelaars en andere omstandigheden die de werking ervan kunnen beïnvloeden.
- ◆ Gebruik het apparaat niet in geval van een of meer beschadigde of defecte onderdelen.
- ◆ Laat beschadigde of defecte onderdelen door een van onze servicecentra repareren of vervangen.
- ◆ Probeer nooit andere onderdelen te verwijderen of vervangen dan in deze handleiding zijn vermeld.

## Specifieke veiligheidsinstructies voor schijnwerpers

De schijnwerper is voorzien van het volgende veiligheidsymbool:



Raak de lens niet aan. De lens wordt zeer heet tijdens het gebruik. Ook nadat u de schijnwerper hebt uitgeschakeld, blijft de lens enkele minuten heet.

- ◆ Laat de schijnwerper volledig afkoelen voordat u het apparaat opbergt of oplaadt.
- ◆ Houd de lens op afstand van brandbare materialen. Door de extreme hitte kan brand ontstaan.
- ◆ Plaats de schijnwerper nooit met de lichtstraal naar beneden op een oppervlak wanneer de schijnwerper aan staat of nog moet afkoelen.
- ◆ Laat de schijnwerper niet onbeheerd achter. Houd kinderen en dieren uit de buurt van de werkplek.
- ◆ Controleer de lens op schade als de schijnwerper is gevallen. Gebruik het apparaat nooit zonder lens of met een beschadigde lens.
- ◆ De lens is van glas en kan breken als de schijnwerper valt of ergens tegenaan stoot. Als de lens is beschadigd, moet deze worden vervangen door een originele lens van de fabrikant. Draag handschoenen om snijwonden te voorkomen.
- ◆ Kijk nooit direct in het licht en schijn iemand nooit in recht in de ogen.
- ◆ Dompel de schijnwerper niet onder in water.
- ◆ Vervang de lamp alleen door het juiste type lamp (zie de technische gegevens).
- ◆ Gebruik alleen de lader van Black & Decker die bij het apparaat wordt geleverd. Koppel de lader eerst aan de schijnwerper en steek vervolgens de stekker van de lader in het stopcontact.

## Aanvullende veiligheidsinstructies voor batterijen en laders

### Batterijen

- ◆ Probeer batterijen niet te openen, om welke reden ook.
- ◆ Stel de batterij niet bloot aan water.

- ◆ Bewaar deze niet op locaties met temperaturen van meer dan 40 °C.
- ◆ Laad de batterijen alleen op bij een omgevingstemperatuur van 10-40 °C.
- ◆ Gebruik alleen de lader die bij het apparaat is geleverd.
- ◆ Gooi lege batterijen weg volgens de instructies in het gedeelte "Milieu".
- ◆ Onder extreme omstandigheden kunnen batterijen lekkages vertonen. Wanneer de batterijen nat of vochtig zijn, veegt u de vloeistof voorzichtig af met een doek. Vermijd huidcontact.
- ◆ Bij huid- of oogcontact volgt u de onderstaande instructies.

**Waarschuwing!** De batterijvloeistof is verdund zwavelzuur en kan letsel of materiële schade veroorzaken. Bij huidcontact moet u de vloeistof direct afspelen met water. Raadpleeg uw huisarts als er rode vlekken ontstaan of bij een pijnlijke of geïrriteerde huid. Bij oogcontact moet u de vloeistof direct afspelen met water en meteen uw huisarts raadplegen.

### Laders

De lader is ontworpen voor een specifieke spanning. Controleer altijd of de netspanning overeenkomt met de waarde op het typeplaatje.

**Waarschuwing!** Probeer nooit om de oplaadeenheid door een normale netstekker te vervangen.

Gebruik de lader van Black & Decker alleen voor de batterijen in het apparaat waarbij de lader is bijgeleverd. Andere batterijen kunnen exploderen met letsel en materiële schade als gevolg.

- ◆ Niet-laadbare batterijen mogen nooit worden opgeladen.
- ◆ Een defect snoer moet direct worden vervangen.
- ◆ Stel de lader niet bloot aan water.
- ◆ Open de lader niet.
- ◆ Prik nooit met een scherp voorwerp in de lader.

Laad de batterij in een goed geventileerde locatie.

### LAAD DE BATTERIJEN NOOIT TE LANG:

- ◆ Maximaal 14 uur bij wisselstroom.
- ◆ Maximaal 14 uur bij gelijkstroom.
- ◆ Nadat u de batterijen hebt geladen, koppelt u de lader los en wacht u 5 minuten voordat u de schijnwerper gebruikt.

### Uw lader is voorzien van de volgende symbolen:



De laadhouder is dubbel geïsoleerd, zodat een aardaansluiting niet noodzakelijk is.



Storingsvrije scheidingstransformator. De netspanning is elektrisch van de transformatoruitgang gescheiden.



De lader wordt automatisch uitgeschakeld als de omgevingstemperatuur te ver oploopt. Hierdoor zal de lader onbruikbaar worden. Neem de lader in dat geval uit het stopcontact en laat deze door een erkend servicecentrum repareren.



De laadhouder is uitsluitend bestemd voor binnengebruik.

### Elektrische veiligheid



Dit gereedschap is dubbel geïsoleerd. Een aardaansluiting is daarom niet noodzakelijk. Controleer altijd of uw netspanning overeenkomt met de waarde op het typeplaatje.

- ◆ Als het netsnoer is beschadigd, moet dit worden vervangen door de fabrikant of een Black & Decker-servicecentrum om gevaren te voorkomen.

### Onderdelen

Het apparaat kan de volgende onderdelen bevatten:

1. Vervangbare kwartshalogeenlamp
2. Rubberen stootring
3. LED-statuslampje voor batterijen
4. Vergrendeling
5. Handvat
6. Draagkoord
7. Stekkertje van lader
8. Aansluiting voor in de auto (gelijkstroom)
9. Stekker van lader voor stopcontact (wisselstroom)
10. Schakelaar voor lichtsterkte (3 standen)
11. Aansluiting voor lader (12 V gelijkstroom)

### De schijnwerper laden (fig. A - C)

- ◆ Bij aanschaf is de schijnwerper gedeeltelijk geladen. Voordat u de schijnwerper gebruikt, moet u deze opladen met de wisselstroomlader (9) gedurende 12-14 uur of totdat het groene LED-statuslampje (3) gaat branden.
- ◆ Na elk gebruik moet u de batterij opladen totdat het groene LED-statuslampje (3) gaat branden.

Druk op de statusknop (3) als u de status van de batterij wilt controleren.

Het laadniveau wordt aangegeven door de LED-indicatoren.

- ◆ Eén rood LED-lampje geeft aan dat u het apparaat binnenkort moet opladen.
- ◆ Met twee rode LED-lampjes wordt aangegeven dat het apparaat goed is opgeladen.
- ◆ De groene LED-lampjes geven aan dat het apparaat volledig is opgeladen.

### De schijnwerper opladen via het stopcontact (fig. A - C)

- ◆ Zorg ervoor dat de schijnwerper is uitgeschakeld (de vergrendeling (4) staat in de stand OFF en de schakelaar (10) is niet ingedrukt).

**Waarschuwing!** Laad de batterijen nooit langer op dan 14 uur.

- ◆ Plaats het stekkertje (7) in de aansluiting voor de lader (11).
- ◆ Steek de stekker van de lader (9) in het stopcontact.
- ◆ Laad het apparaat totdat het groene LED-lampje (3) gaat branden (ongeveer 12-14 uur).

## De schijnwerper laden via de autolader (gelijkstroom) (fig. A - C)

- ◆ Zorg ervoor dat de schijnwerper is uitgeschakeld (de vergrendeling (4) staat in de stand OFF en de schakelaar (10) is niet ingedrukt).

**Waarschuwing!** Laad de batterijen nooit langer op dan 14 uur.

- ◆ Plaats het stekertje (7) in de aansluiting voor de lader (11).
- ◆ Plaats de stekker van de gelijkstroomlader (8) in de aansluiting voor de sigarettenaansteker in de auto of in een andere krachtbron voor 12 V gelijkstroom.
- ◆ Laad het apparaat totdat het groene LED-lampje (3) gaat branden (ongeveer 13-14 uur).

Controleer dat de krachtbron voor de gelijkstroom, dat wil zeggen de accu en de sigarettenaansteker geschikt is voor 12 V gelijkstroom en dat deze bron gedurende 8 uur minimaal 0,5 ampère kan leveren. Dit betekent dat de batterijen moeten worden geladen met een capaciteit van minimaal 4 ampère/uur.

**Opmerking:** Wanneer u de sigarettenaansteker van een auto wilt gebruiken als krachtbron, moet u mogelijk het contact van de auto inschakelen.

## GBRUIK

### De schijnwerper gebruiken (fig. B)

- ◆ Schuif de vergrendeling (4) in de stand OFF.
- ◆ Druk op de schakelaar (10) om de schijnwerper aan te zetten.
- ◆ Druk meermaals op de schakelaar (10) met een interval van een seconde om de lichtsterkte te wijzigen van zwak naar sterk.
- ◆ Als u de schakelaar (10) wilt vergrendelen in de stand ON, drukt u op de schakelaar totdat u de gewenste lichtsterkte hebt. Vervolgens schuift u de vergrendeling (4) naar beneden in de stand ON.
- ◆ Als u de schijnwerper wilt uitschakelen, schuift u de vergrendeling (4) in de stand OFF.

### Het ingebouwde draagkoord gebruiken

- ◆ Het draagkoord (6) is geschikt voor het dragen of opbergen van de schijnwerper. Stel het koord lossers of vaster zodat de schijnwerper altijd stevig is bevestigd aan het ondersteunende object.

## ONDERHOUD

Uw Black & Decker-gereedschap is ontworpen om gedurende langere periode te functioneren met een minimum aan onderhoud. U kunt het gereedschap naar volle tevredenheid blijven gebruiken als u voor correct onderhoud zorgt en het gereedschap regelmatig schoonmaakt.

**Waarschuwing!** Verwijder altijd de stekker uit het stopcontact voordat u onderhouds- of reinigingswerkzaamheden aan het apparaat uitvoert.

- ◆ Neem het apparaat van tijd tot tijd af met een vochtige doek. Gebruik geen schuur- of oplosmiddel. Dompel het apparaat niet onder in water.

### De lamp vervangen (fig. D & E)

Als u de lamp (1) wilt vervangen, hebt u een kleine kruisschroevendraaier nodig en het juiste vervangende lampje (zie de technische gegevens).

**Waarschuwing!** Raak het glazen gedeelte van de lamp niet aan. De levensduur van de lamp kan hierdoor worden verkleind.

U kunt de lamp (1) schoonmaken met een doekje en een schoonmaakmiddel op basis van alcohol.

- ◆ Koppel de schijnwerper los van een eventuele lader.
- ◆ Til de rubberen stootring (2) omhoog en schuif deze naar voren totdat u twee kruiskopschroefjes (12) in de klemring ziet (13).
- ◆ Verwijder beide schroeven (12) en leg deze zorgvuldig weg.
- ◆ Verwijder de klemring (13), de glazen lens (12) en de rubberen 'O'-ring (15) en leg deze zorgvuldig weg.
- ◆ Verwijder de reflector (16) en de lampenset.
- ◆ Maak het snoer van de lamp (17) los van het stroomsnoer.
- ◆ Haal de clip (18) van de opstaande rand van de reflector (fig. E).
- ◆ Verwijder de schroef (19) en maak het snoer los.
- ◆ Verwijder de lamp (1) en maak het snoer los.
- ◆ Plaats de nieuwe lamp (1) in de opstaande rand van de reflector (16).
- ◆ Plaats de clip (18) in de opstaande rand van de reflector (16).
- ◆ Maak het snoer vast met de schroef (19).
- ◆ Bevestig het snoer van de lamp (17) aan het stroomsnoer.
- ◆ Plaats de reflector (16) in de behuizing van de schijnwerper.
- ◆ Plaats de rubberen 'O'-ring (15) in de groef rond de buitenrand van de reflector (16).
- ◆ Plaats de glazen lens (12) en de klemring (13), zodat de gaatjes voor de schroeven op een lijn liggen.
- ◆ Bevestig de klemring (13) met beide schroeven (12).
- ◆ Installeer de rubberen stootring (2).

### De zekering in de autolader vervangen

- ◆ Draai de goudkleurige kap linksom om deze te verwijderen.
- ◆ Verwijder de rubberen afdichting, de centrale pin en de veer.
- ◆ Verwijder de zekering.
- ◆ Plaats een nieuwe zekering van hetzelfde type en formaat (0,5 A).
- ◆ Installeer de centrale pin, de veer en de rubberen afdichting.
- ◆ Draai de goudkleurige kap rechtsom om deze te vast te zetten.



## Milieu



Mocht u op een dag constateren dat het apparaat aan vervanging toe is of dat u het apparaat niet meer nodig hebt, houd dan rekening met het milieu. Black & Decker-servicecentra zijn bereid oude Black & Decker-machines in te nemen en ervoor te zorgen dat deze op milieuvriendelijke wijze worden afgevoerd.



Gescheiden inzameling van gebruikte producten en verpakkingsmaterialen maakt het mogelijk materialen te recyclen en opnieuw te gebruiken. Hergebruik van gerecycleerde materialen zorgt voor minder milieuvervuiling en dringt de vraag naar grondstoffen terug.

Plaatselijke verordeningen kunnen voorzien in gescheiden inzameling van huishoudelijke elektrische producten via gemeentelijke stortplaatsen of via de leverancier bij wie u een nieuw product aanschaft.

Black & Decker biedt de mogelijkheid tot het recyclen van afgedankte Black & Decker-producten. Om gebruik te maken van deze service, dient u het product naar een van onze servicecentra te sturen, die de inzameling voor ons verzorgen.

U kunt het adres van het dichtstbijzijnde servicecentrum opvragen via de adressen op de achterzijde van deze handleiding. U kunt ook een lijst van onze servicecentra en meer informatie over onze klantenservice vinden op het volgende internetadres: [www.2helpU.com](http://www.2helpU.com).



Black & Decker-batterijen kunnen veelvuldig worden herladen. Gooi afgedankte batterijen op verantwoorde wijze weg:

- ◆ Werp batterijen niet in het vuur. Dit kan een explosie tot gevolg hebben.
- ◆ Loodzuurbatterijen (Pb) kunnen worden gerecycled. Deze batterijen mogen niet bij het huishoudelijk afval. Als er geen recyclingprogramma bij u in de buurt is, moet u de batterij op de hierna beschreven wijze verwijderen en conform de geldende voorschriften afvoeren.
- ◆ Voorkom dat de polen van de batterij worden kortgesloten.
- ◆ Let op: de batterij is zwaar.
- ◆ Indien mogelijk gebruikt u de schijnwerper totdat de batterij helemaal leeg is.

Het diagram op de achterkant van deze gebruiksaanwijzing laat zien hoe u de batterijen kunt verwijderen.

Plaats de batterij in een geschikte verpakking om te voorkomen dat de polen worden kortgesloten.

Breng de batterij naar het servicecentrum of een inzamellocatie in uw woonplaats. Verzamelde batterijen worden gerecycled of op de juiste manier verwerkt.

## Technische gegevens

		BDV156
Ingangsspanning	Vdc	12
Ingangsstroom	mA	300 max
Gewicht	kg	1,3
Batterij	Type	6V 3Ah SLA
Lamp	Type	H3
<b>Lader</b>		
Invoer	Vac	230
Oplaaftijd ca.	h	14
Gewicht	kg	0,2

## EG-conformiteitsverklaring

BDV156

Black & Decker verklaart dat deze producten in overeenstemming zijn met:  
Standaarden en wetgeving.

73/23/EEC, 89/336/EEC, 95/54/EC, EN60335, EN61000, EN60598, EN61347, EN55014

Kevin Hewitt  
Director of Consumer Engineering  
Spennymoor, County Durham  
DL16 6JG,  
Verenigd Koninkrijk  
31-08-2006

## Garantie

Black & Decker heeft vertrouwen in zijn producten en biedt een uitstekende garantie. Deze garantiebepalingen vormen een aanvulling op uw wettelijke rechten en beperken deze niet. De garantie geldt in de lidstaten van de Europese Unie en de Europese Vrijhandelsassociatie.

Mocht uw Black & Decker product binnen 24 maanden na de datum van aankoop defect raken ten gevolge van materiaal- of constructiefouten, dan garanderen wij de kosteloze vervanging van defecte onderdelen, de reparatie van het product of de vervanging van het product, tenzij:

- ◆ Het product is gebruikt voor handelsdoeleinden, professionele toepassingen of verhuurdoeleinden;
- ◆ Het product onoordeelkundig is gebruikt;
- ◆ Het product is beschadigd door invloeden van buitenaf of door een ongeval;
- ◆ Reparaties zijn uitgevoerd door anderen dan onze servicecentra of Black & Decker-personeel.

Om een beroep te doen op de garantie, dient u een aankoopbewijs te overhandigen aan de verkoper of een van onze servicecentra. U kunt het adres van het dichtstbijzijnde servicecentrum opvragen via de adressen op de achterzijde van deze handleiding. U kunt ook een lijst van onze

## NEDERLANDS

servicecentra en meer informatie m.b.t. onze klantenservice vinden op het volgende internetadres:

**[www.2helpU.com](http://www.2helpU.com)**

Meld u aan op onze website **[www.blackanddecker.nl](http://www.blackanddecker.nl)** om te worden geïnformeerd over nieuwe producten en speciale aanbiedingen. Verdere informatie over het merk Black & Decker en onze producten vindt u op **[www.blackanddecker.nl](http://www.blackanddecker.nl)**.

## Uso previsto

La linterna Black & Decker ha sido diseñada para suministrar iluminación en sus proyectos de bricolaje y para el uso durante su tiempo de ocio. Este producto está pensado únicamente para uso doméstico.

## Instrucciones de seguridad

**¡Atención!** Si utiliza aparatos alimentados por batería, es necesario seguir las precauciones de seguridad básicas, incluidas las que se indican a continuación, para reducir el riesgo de incendios, fugas del electrolito, lesiones y daños materiales.

- ◆ Lea todo el manual detenidamente antes de utilizar el aparato.
- ◆ En este manual se describe el uso para el que se ha diseñado el aparato. La utilización de accesorios o la realización de operaciones distintas de las recomendadas en este manual de instrucciones puede presentar un riesgo de lesiones.
- ◆ Conserve este manual para futuras consultas.

### Utilización del aparato

Tenga mucho cuidado al utilizar el aparato.

- ◆ Este aparato está pensado para utilizarse con la supervisión correspondiente en el caso de menores o personas que no cuentan con la fuerza necesaria.
- ◆ Este aparato no es un juguete.
- ◆ Utilícelo únicamente en lugares secos. Tenga cuidado de no mojar la unidad.
- ◆ No introduzca el aparato en agua.
- ◆ No abra la carcasa. Las piezas del interior del aparato no pueden ser reparadas por parte del usuario.
- ◆ No utilice el aparato en un entorno con peligro de explosión, en el que se encuentren combustibles líquidos, gases o material en polvo.
- ◆ Para evitar dañar las clavijas y los cables, nunca tire del cable para extraer la clavija de la toma de corriente.

### Después de la utilización

- ◆ Cuando el aparato no esté en uso, deberá guardarse en un lugar seco, bien ventilado, y lejos del alcance de los niños.
- ◆ Los niños no deben tener acceso a los aparatos guardados.
- ◆ Cuando se guarde o transporte el aparato en un vehículo, deberá colocarse en el maletero o asegurarse para evitar movimientos producidos por cambios repentinos en la velocidad o la dirección.
- ◆ Es conveniente proteger el aparato de la incidencia de la luz solar directa, el calor y la humedad.

## Inspecciones y reparaciones

- ◆ Antes de utilizarlo, compruebe que el aparato no tiene piezas dañadas o defectuosas. Compruebe que no hay piezas rotas, los interruptores no están dañados y demás defectos que puedan afectar al funcionamiento del aparato.
- ◆ No utilice el aparato si presenta alguna pieza dañada o defectuosa.
- ◆ Solicite al servicio técnico autorizado la reparación o sustitución de las piezas dañadas o defectuosas.
- ◆ Nunca intente extraer o sustituir piezas no especificadas en este manual.

## Instrucciones de seguridad específicas para linternas

La linterna presenta el siguiente símbolo de seguridad:



No toque el objetivo, ya que durante su funcionamiento alcanza temperaturas elevadas que se mantienen durante varios minutos una vez apagada la linterna.

- ◆ Espere a que la linterna se enfríe totalmente antes de guardarla o cargarla.
- ◆ Manténgala alejada de materiales combustibles. Las temperaturas elevadas pueden originar incendios.
- ◆ No coloque la linterna boca abajo sobre ninguna superficie mientras está encendida o se está enfriando.
- ◆ No deje la linterna desatendida. Mantenga a los niños y a los animales alejados del área de trabajo.
- ◆ Inspeccione el objetivo para detectar posibles daños producidos debido a impactos o caídas. No utilice la linterna sin el objetivo o con éste dañado.
- ◆ El objetivo es de cristal, por lo que puede agrietarse o romperse en caso de sufrir un impacto. En caso de dañar el objetivo, deberá sustituirse por componentes originales del fabricante. Para ello, utilice guantes para no cortarse con los bordes afilados.
- ◆ No mire directamente hacia la luz ni la enfoque hacia los ojos de otra persona.
- ◆ No sumerja la linterna en el agua.
- ◆ Sustituya la bombilla únicamente por el tipo indicado en la ficha técnica.
- ◆ Utilice únicamente los adaptadores de carga de Black & Decker suministrados con la unidad. Primero, conecte el adaptador de carga a la linterna y, a continuación, conéctelo a la fuente de carga.

## Instrucciones de seguridad adicionales para baterías y cargadores

### Baterías

- ◆ No intente abrirlas bajo ningún concepto.
- ◆ No exponga la batería al agua.
- ◆ No las almacene en lugares en los que la temperatura pueda superar los 40 °C.

- ◆ Realice la carga únicamente a una temperatura ambiente entre los 10 °C y 40 °C.
- ◆ Utilice únicamente los cargadores suministrados con la herramienta para realizar la carga.
- ◆ Cuando vaya a desechar las baterías, siga las instrucciones facilitadas en la sección "Protección del medio ambiente".
- ◆ Es posible que se produzcan fugas en las baterías en condiciones extremas. Cuando observe que se producen fugas en las baterías, limpie cuidadosamente el líquido con un paño. Evite el contacto con la piel.
- ◆ En caso de que se produzca contacto con la piel o los ojos, siga las instrucciones facilitadas a continuación.

**¡Atención!** El líquido de las baterías es un ácido sulfúrico diluido y puede provocar lesiones personales o daños materiales. En caso de que se produzca contacto con la piel, aclare la zona con agua. Si se produce enrojecimiento, dolor o irritación, solicite atención médica. En caso de contacto con los ojos, aclare la zona inmediatamente con agua limpia y solicite atención médica inmediata.

## Cargadores

El cargador se ha diseñado para un voltaje específico. Cada vez que utilice el aparato, debe comprobar que el voltaje de la red eléctrica se corresponde con el valor indicado en la placa de características.

**¡Atención!** No sustituya el cargador por una toma de corriente normal.

Utilice únicamente el cargador Black & Decker para cargar la batería en la herramienta con la que fue suministrado. En caso de intentar cargar otras baterías, éstas podrían explotar, lo cual podría provocar lesiones y daños personales.

- ◆ No cargue pilas no recargables.
- ◆ Sustituya los cables defectuosos inmediatamente.
- ◆ No exponga el cargador al agua.
- ◆ No abra el cargador.
- ◆ No aplique ningún dispositivo para medir la resistencia del cargador.

La batería debe colocarse en una zona bien ventilada durante la carga.

**NO SOBREPASE EL TIEMPO DE CARGA:**

- ◆ Hasta 14 horas de recarga con corriente de ca.
- ◆ Hasta 14 horas con corriente de cc.
- ◆ Tras realizar la recarga, desconecte el adaptador y espere 5 minutos antes de utilizar el aparato.

## El cargador muestra los siguientes símbolos.



La base del cargador está provista de doble aislamiento, por lo que no requiere una toma de tierra.



Transformador con aislamiento a prueba de fallos. El circuito eléctrico de la toma de corriente está aislado de la salida del transformador.



El cargador se apaga automáticamente si detecta que la temperatura ambiente es excesivamente elevada. En este caso, el cargador no se podrá utilizar. Deberá desconectar la base del cargador de la toma de corriente y llevar el cargador a un centro de servicio autorizado.



La base del cargador está pensada únicamente para utilizarla en espacios interiores.

## Seguridad eléctrica



La herramienta lleva un doble aislamiento; por lo tanto no requiere de una toma a tierra. Compruebe siempre que la tensión de la red corresponda con el valor indicado en la placa de datos de la herramienta.

- ◆ Si se llegase a dañar el cable de alimentación, deberá ser sustituido por el fabricante o por un centro de asistencia técnica autorizado de Black & Decker para evitar cualquier situación de riesgo.

## Características

Este aparato incluye una o más de las siguientes características:

1. Bombilla alógena de cuarzo sustituible
2. Protector del anillo de goma
3. Indicador LED de estado de la batería
4. Bloqueo del gatillo
5. Culata
6. Correa
7. Conector de la toma del cargador
8. Cable de alimentación de cc para vehículos
9. Adaptador de carga
10. Gatillo de brillo de 3 posiciones
11. Toma de carga de cc de 12 V

## Carga de la linterna (Figs. A - C)

- ◆ La linterna se suministra parcialmente cargada. Cárquela antes de utilizarla por primera vez mediante el adaptador de carga (9) entre 12 y 14 horas o hasta que se ilumine el indicador LED (3) de estado de la batería de color verde.
- ◆ Cargue la linterna después de cada uso hasta que se ilumine el indicador LED (3) de estado de la batería de color verde.

Para comprobar el estado de la carga de la batería cuando lo desee, pulse el botón de estado de la batería (3).

Los indicadores LED muestran el nivel de la carga.

- ◆ Un indicador LED rojo indica que la batería está a punto de agotarse.
- ◆ Si hay dos indicadores LED rojos iluminados, significa que el nivel de carga es alto.
- ◆ El indicador LED verde se ilumina para mostrar que la unidad está completamente cargada.

### Carga con el adaptador (Figs. A - C)

- ◆ Asegúrese de que la linterna está apagada [el bloqueo del gatillo (4) está en la posición de apagado y el gatillo no está pulsado (10)].

**¡Atención!** No cargue el aparato durante más de 14 horas.

- ◆ Introduzca el conector de la toma del cargador (7) en la toma de carga de cc de 12 V (11).
- ◆ Introduzca el adaptador de carga (9) en una toma de alimentación.
- ◆ Realice la carga hasta que el indicador LED de estado de la batería de color verde (3) se ilumine (aproximadamente entre 12 y 14 horas).

### Carga con el cable de alimentación de cc para vehículos (Figs. A - C)

- ◆ Asegúrese de que la linterna está apagada [el bloqueo del gatillo (4) está en la posición de apagado y el gatillo no está pulsado (10)].

**¡Atención!** No cargue el aparato durante más de 14 horas.

- ◆ Introduzca el conector de la toma del cargador (7) en la toma de carga de cc de 12 V (11).
- ◆ Introduzca la clavija opcional del cable de alimentación de cc para vehículos (8) en la toma de salida opcional del vehículo o en otra fuente de alimentación de cc de 12 V.
- ◆ Realice la carga hasta que el indicador LED de estado de la batería de color verde (3) se ilumine (aproximadamente entre 13 y 14 horas).

Asegúrese de que la fuente de cc, por ejemplo, el auxiliar de arranque, la batería, la toma de salida opcional del vehículo, etc., es cc de 12 V y que puede suministrar al menos 0,5 amperios a cc de 12 V durante ocho horas. Esto significa que una batería debería cargarse con una capacidad de al menos 4 amperios por hora.

**Nota:** Si utiliza una toma de salida opcional de cc de 12 V de un vehículo como fuente de carga, es posible que sea necesario activar el encendido del vehículo para suministrar alimentación a la toma de salida opcional.

## USO

### Utilización de la linterna (Fig. B)

- ◆ Mueva el bloqueo del gatillo (4) hacia la posición de apagado.
- ◆ Pulse el gatillo (10) para encender la linterna.
- ◆ Pulse el gatillo (10) varias veces a intervalos de un segundo para incrementar el brillo.
- ◆ Para bloquear el gatillo (10) en la posición de encendido, pulse el gatillo hasta alcanzar el nivel de brillo deseado y, a continuación, coloque el bloqueo del gatillo (4) en la posición de encendido.
- ◆ Para apagar la linterna, coloque el bloqueo del gatillo (4) en la posición de apagado.

### Uso de la correa

- ◆ La correa (6) puede utilizarse para guardar o transportar la linterna. Ajuste la abrazadera de los cables para fijar la correa al objeto de soporte.

## MANTENIMIENTO

La herramienta de Black & Decker ha sido diseñada para que funcione durante un largo período de tiempo con un mantenimiento mínimo. El funcionamiento satisfactorio continuado depende de un cuidado apropiado y una limpieza periódica de la herramienta.

**¡Atención!** Para realizar el mantenimiento o limpieza del aparato, antes debe desenchufarlo.

- ◆ Limpie el aparato de vez en cuando con un paño húmedo. No utilice limpiadores de base abrasiva o disolventes. No introduzca el aparato en agua.

### Sustitución de la bombilla (Figs. D y E)

Para sustituir la bombilla (1), necesitará un desatornillador de estrella pequeño y una bombilla de repuesto como la indicada en la ficha técnica.

**¡Atención!** No toque la parte de cristal de la bombilla, puesto que su vida útil puede reducirse si se instala con suciedad o huellas dactilares.

La bombilla (1) puede limpiarse con un paño humedecido con un limpiador que contenga alcohol.

- ◆ Desconecte la linterna de cualquier adaptador de carga.
- ◆ Levante y empuje el protector del anillo de goma (2) hacia la parte frontal de la linterna para dejar al descubierto dos pequeños tornillos con cabeza de estrella (12) en el anillo de fijación (13).
- ◆ Retire los dos tornillos y consérvelos (12).
- ◆ Extraiga el anillo de fijación (13), el objetivo de cristal (12) y el anillo "O" de goma (15) y guárdelos.
- ◆ Extraiga cuidadosamente el reflector (16) y el soporte de la bombilla.
- ◆ Desconecte el cable de la bombilla (17) del cable de alimentación.
- ◆ Extraiga la pinza de fijación (18) de la brida del reflector (Fig. E).
- ◆ Retire el tornillo (19) y separe el cable.
- ◆ Retire la bombilla (1) y separe el cable.
- ◆ Inserte la bombilla de recambio (1) en la brida del reflector (16).
- ◆ Instale la pinza de fijación (18) en la brida del reflector (16).
- ◆ Instale el cable con el tornillo (19).
- ◆ Conecte el cable de la bombilla (17) al cable de alimentación.
- ◆ Coloque el reflector (16) en su lugar en el cuerpo de la linterna.
- ◆ Instale el anillo "O" de goma (15) en la ranura situada alrededor del perímetro del reflector (16).

- ◆ Instale el objetivo de cristal (12) y el anillo de fijación (13) de modo que los orificios de los tornillos estén alineados.
- ◆ Asegure el anillo de fijación (13) con los dos tornillos (12).
- ◆ Instale el protector del anillo de goma (2).

## Sustitución del fusible del cable de alimentación de cc para vehículos

- ◆ Gire la cubierta dorada hacia la izquierda para extraerla.
- ◆ Retire la arandela de goma, el pasador central y el muelle.
- ◆ Extraiga el fusible.
- ◆ Coloque un fusible nuevo del mismo tipo y tamaño (0,5 A).
- ◆ Vuelva a colocar el pasador central, el muelle y la arandela.
- ◆ Gire la cubierta dorada hacia la derecha para colocarla en la clavija.

## Protección del medio ambiente



Si llegase el momento en que fuese necesario sustituir el aparato o si éste dejase de tener utilidad, debe tener en cuenta la protección del medio ambiente. El servicio técnico autorizado de Black & Decker aceptará herramientas Black & Decker ya usadas y se asegurará de desprenderse de ellas de modo que no se perjudique el medioambiente.



La recogida selectiva de productos y embalajes usados permite el reciclaje de materiales y su reutilización. La reutilización de materiales reciclados contribuye a evitar la contaminación medioambiental y reduce la demanda de materias primas.

Las normativas municipales deben ofrecer la recogida selectiva de productos eléctricos del hogar, en puntos municipales previstos para ello o a través del distribuidor en el caso en que se adquiera un nuevo producto.

Black & Decker proporciona facilidades para la recogida y reciclado de los productos Black & Decker que hayan llegado al final de su vida útil. Para poder utilizar este servicio, le rogamos entregue el producto a cualquier servicio técnico autorizado que se hará cargo del mismo en nuestro nombre.

Para consultar la dirección del servicio técnico más cercano póngase en contacto con la oficina local de Black & Decker en la dirección que se indica en este manual. Como alternativa, se puede consultar en Internet, en la dirección siguiente, la lista de servicios técnicos autorizados e información completa sobre nuestros servicios de postventa y contactos: [www.2helpU.com](http://www.2helpU.com).



Las baterías de Black & Decker pueden recargarse muchas veces. Al final de su vida útil, deséchelas respetando el medio ambiente:

- ◆ No las arroje al fuego, ya que podría provocarse una explosión.
- ◆ Las baterías de ácido de plomo (Pb) son reciclables, Por ello, no deben desecharse con los residuos domésticos. Si no tiene acceso a ningún punto de reciclaje de productos, deberá extraerla como se describe a continuación y desecharla según la legislación aplicable.
- ◆ No provoque un cortocircuito con los terminales de la batería.
- ◆ Tenga en cuenta que la batería es pesada.
- ◆ Si es posible, utilice el aparato hasta que la batería se agote por completo.

Consulte el diagrama situado en la parte posterior de este manual para obtener ayuda en la extracción de las baterías.

Coloque la batería en un embalaje adecuado de modo que los terminales no entren en contacto y provoquen un cortocircuito.

Lleve la batería al agente autorizado más cercano o a un centro de reciclaje local. Las baterías recogidas se reciclarán o desecharán de manera adecuada.

## Características técnicas

		<b>BDV156</b>
Voltaje de entrada	V de CC	12
Corriente de entrada	mA	300 como máximo
Peso	kg	1,3
Batería	Tipo	6V 3Ah SLA
Bombilla	Tipo	H3
<b>Cargador</b>		
Entrada	V de CA	230
Tiempo de carga aproximado	h	14
Peso	kg	0,2

## Declaración de conformidad CE

BDV156

Black & Decker declara que estos productos cumplen las normas siguientes:

Normativas y legislación

73/23/CEE, 89/336/CEE, 95/54/CE, EN60335, EN61000, EN60598, EN61347, EN55014

Kevin Hewitt  
 Director de Ingeniería del  
 Consumidor  
 Spennymoor, County Durham  
 DL16 6JG,  
 Reino Unido  
 31-08-2006

## Garantía

Black & Decker confía plenamente en la calidad de sus productos y ofrece una garantía extraordinaria. Esta declaración de garantía es un añadido, y en ningún caso un perjuicio para sus derechos estatutarios. La garantía es válida dentro de los territorios de los Estados miembros de la Unión Europea y de los de la Zona Europea de Libre Comercio.

Si cualquier producto de Black & Decker resultara defectuoso debido a materiales o mano de obra defectuosos o a la falta de conformidad, Black & Decker garantiza, dentro de los 24 meses posteriores a la fecha de compra, la sustitución de las piezas defectuosas, la reparación de los productos sujetos a un desgaste y rotura razonables o la sustitución de tales productos para garantizar al cliente el mínimo de inconvenientes, a menos que:

- ◆ El producto se haya utilizado con propósitos comerciales, profesionales o de alquiler.
- ◆ El producto se haya sometido a un uso inadecuado o negligente.
- ◆ El producto haya sufrido daños causados por objetos o sustancias extrañas o accidentes.
- ◆ Se hayan realizado reparaciones por parte de personas que no sean del servicio técnico autorizado o personal de servicios de Black & Decker.

Para reclamar en garantía, será necesario que presente la prueba de compra al vendedor o al servicio técnico de reparaciones autorizado. Pueden consultar la dirección de su servicio técnico más cercano poniéndose en contacto con la oficina local de Black & Decker en la dirección que se indica en este manual. Como alternativa, se puede consultar en Internet, en la dirección siguiente, la lista de servicios técnicos autorizados e información completa de nuestros servicios de postventa y contactos:

**[www.2helpU.com](http://www.2helpU.com)**

Visite nuestro sitio web **[www.blackanddecker.eu](http://www.blackanddecker.eu)** para registrar su nuevo producto Black & Decker y mantenerse al día sobre nuestros productos y ofertas especiales. Encontrará más información acerca de la marca Black & Decker y de la gama de productos que ofrece en la dirección **[www.blackanddecker.eu](http://www.blackanddecker.eu)**.

## Utilização

O seu Black & Decker Spotlight foi concebido para fornecer iluminação em projectos de bricolage e lazer. Este produto destina-se apenas a utilização doméstica.

## Instruções de segurança

**Advertência!** Ao utilizar aparelhos alimentados com bateria, devem ser sempre seguidas precauções de segurança, incluindo as seguintes, por forma a reduzir o risco de fogo, fugas das baterias, ferimentos pessoais e danos materiais.

- ◆ Leia cuidadosamente o manual completo antes de utilizar este aparelho.
- ◆ A utilização prevista para este aparelho está descrita no manual. A utilização de qualquer acessório ou a realização de qualquer operação com este aparelho que não se inclua no presente manual de instruções poderá representar um risco de ferimentos pessoais.
- ◆ Conserve este manual para referência futura.

### Utilizar o seu aparelho

Tenha sempre cuidado quando utiliza este aparelho.

- ◆ Este aparelho não deve ser utilizado por jovens ou pessoas doentes sem supervisão.
- ◆ Este aparelho não deve ser utilizado como um brinquedo.
- ◆ Utilize apenas num local seco. Não deixe que a unidade seja molhada.
- ◆ Não mergulhe o aparelho em água.
- ◆ Não abra o equipamento. Não existem peças para manipulação pelo utilizador no interior.
- ◆ Não utilize o equipamento em áreas com risco de explosão, nas quais se encontrem líquidos, gases ou poeiras inflamáveis.
- ◆ Para reduzir o risco de danos nas fichas e cabos, nunca puxe o cabo para remover a ficha de uma tomada.

### Após a utilização

- ◆ Quando não for utilizado, o aparelho deve ser guardado num local seco e com boa ventilação, longe do alcance das crianças.
- ◆ As crianças não devem ter acesso aos aparelhos armazenados.
- ◆ Quando o aparelho for guardado ou transportado num veículo, deverá ser colocado na bagageira ou fixo de forma a evitar o movimento devido a alterações súbitas na velocidade ou direcção.
- ◆ O aparelho deverá estar protegido da luz solar directa, calor e humidade.

### Inspecção e reparações

- ◆ Antes da utilização, verifique o aparelho quanto a peças danificadas ou avariadas. Verifique se há peças partidas,

danos nos interruptores ou outro tipo de condições que possam afectar o seu funcionamento.

- ◆ Não utilize o aparelho se alguma das peças se encontrar danificada ou avariada.
- ◆ Mandar reparar ou substituir quaisquer peças danificadas ou avariadas por um agente de reparação autorizado.
- ◆ Nunca tente retirar ou substituir quaisquer peças que não as especificadas neste manual.

### Instruções de segurança específicas para projectores

O seguinte símbolo de segurança é indicado no projector:



Não toque na lente, uma vez que esta aquece muito durante o funcionamento e permanece quente durante vários minutos depois de desligar o projector.

- ◆ Deixe o projector arrefecer completamente antes de guardar ou carregar.
- ◆ Mantenha materiais combustíveis longe da lente do projector. O calor excessivo pode provocar incêndios.
- ◆ Nunca repouse a luz numa superfície com o aparelho ligado ou em arrefecimento.
- ◆ Não deixe o projector sem vigilância. Mantenha as crianças e os animais longe da área de trabalho.
- ◆ Procure danos na lente em caso de impacto ou se o projector sofrer uma queda. Não utilize o aparelho sem uma lente instalada ou com uma lente danificada.
- ◆ A lente é constituída por vidro. Após impacto, a lente pode apresentar rachas ou partir-se. Se a lente for danificada, deverá ser substituída por peças originais do fabricante. Utilize luvas para se proteger das extremidades afiadas.
- ◆ Nunca olhe directamente para a luz, nem oriente a luz para os olhos de outras pessoas.
- ◆ Não mergulhe o projector em água.
- ◆ Apenas substitua a lâmpada pelo tipo indicado nos dados técnicos.
- ◆ Utilize apenas os adaptadores de carga Black & Decker fornecidos com a unidade. Ligue o adaptador de carga primeiro ao projector, em seguida à fonte de carregamento.

### Instruções de segurança adicionais para pilhas e carregadores

#### Pilhas

- ◆ Nunca, por motivo algum, tente abrir a pilha.
- ◆ Não exponha a pilha à água.
- ◆ Não as armazene em locais onde a temperatura possa exceder os 40 °C.
- ◆ Carregue apenas a temperaturas ambiente entre 10 °C e 40 °C.
- ◆ Carregue apenas com os carregadores fornecidos com a ferramenta.



- ◆ Quando eliminar as pilhas, siga as instruções da secção "Proteger o ambiente".
- ◆ Em condições extremas, pode ocorrer uma fuga nas pilhas. Se detectar a fuga de líquido das pilhas, limpe o líquido cuidadosamente com um pano. Evite o contacto com a pele.
- ◆ Em caso de contacto com a pele ou com os olhos, siga as instruções seguintes.

**Advertência!** O fluido da pilha consiste num ácido sulfúrico diluído e pode causar lesões pessoais ou danos materiais. Em caso de contacto com a pele, enxágue imediatamente com água. Em caso de vermelhidão, dor ou irritação, contacte um médico. Em caso de contacto com os olhos, enxágue imediatamente com água limpa e contacte um médico imediatamente.

### Carregadores

O seu carregador foi concebido para uma voltagem específica. Verifique sempre se a voltagem de alimentação corresponde à voltagem da placa informativa.

**Advertência!** Nunca tente substituir a unidade do carregador por uma tomada normal de alimentação.

Utilize o seu carregador Black & Decker apenas para carregar a pilha na ferramenta respectiva. As outras pilhas podem reberantar, provocando lesões pessoais e danos.

- ◆ Nunca tente carregar pilhas não recarregáveis.
- ◆ Substitua os cabos defeituosos imediatamente.
- ◆ Não exponha o carregador à água.
- ◆ Não abra o carregador.
- ◆ Não manipule o interior do carregador.

A pilha deve ser colocada numa área com boa ventilação durante o carregamento.

### NÃO SOBRECARRREGAR:

- ◆ A recarga em AC demora até 14 horas no máximo.
- ◆ A recarga em DC demora até 14 horas no máximo.
- ◆ Após a recarga, desligue o adaptador de carga e aguarde 5 minutos antes de utilizar.

### O carregador contém os seguintes símbolos de aviso:



A base de carga tem um isolamento duplo e, por isso, não é necessário um fio de terra.



Transformador de isolamento anti-falha. A alimentação está electricamente separada da saída do transformador.



O carregador desliga-se automaticamente se a temperatura se tornar demasiado elevada. Consequentemente, o carregador fica inoperável. A base de carga deve ser desligada da alimentação e enviada para um centro de reparação autorizado.



A base de carga deve ser utilizada apenas num ambiente interior.

### Segurança eléctrica



Esta ferramenta tem um isolamento duplo e, por isso, não é necessário um fio de terra. Verifique sempre se a fonte de alimentação corresponde à tensão indicada na placa de especificações.

- ◆ Se o cabo de alimentação for danificado, terá de ser substituído pelo fabricante ou por um centro de assistência autorizada Black & Decker para evitar acidentes.

### Funções

Este aparelho inclui algumas ou todas as seguintes funções:

1. Lâmpada de quartzo de halogéneo substituível
2. Anel de borracha de protecção
3. Indicador LED do estado da pilha
4. Bloqueio do gatilho
5. Punho da pistola
6. Cordão de transporte
7. Ficha do carregador
8. Cabo de alimentação DC de veículo
9. Adaptador de carregamento de rede eléctrica
10. Gatilho de luminosidade com 3 posições
11. Tomada de carga 12 Vdc

### Carregamento do projector (fig. A - C)

- ◆ O projector é fornecido num estado com carga parcial. Carregue o projector antes da primeira utilização com o adaptador de carregamento de rede eléctrica (9) durante 12 a 14 horas ou até a o LED verde de estado da pilha (3) acender.
- ◆ Efectue o carregamento após cada utilização até a o LED verde de estado da pilha (3) acender.

Para verificar o estado de carga da pilha em qualquer momento, pressione o botão de estado da pilha (3).

Os indicadores LED indicam o nível de carga.

- ◆ Um LED vermelho indica que a unidade deverá ser carregada brevemente.
- ◆ Dois LEDs vermelhos indicam um nível de carga elevado.
- ◆ O LED verde aceso indica uma unidade com carga completa.

### Carregamento com o carregador de rede eléctrica (fig. A e C)

- ◆ Certifique-se de que o projector está desligado (o bloqueio do gatilho (4) está na posição OFF e o gatilho (10) não está a ser pressionado).

**Advertência!** Não deixe a carregar durante mais de 14 horas.

- ◆ Introduza a ficha do carregador (7) na tomada de carga de 12 Vdc (11).
- ◆ Introduza o adaptador de carregamento de rede eléctrica (9) numa tomada de rede eléctrica.
- ◆ Carregue até se acender o indicador LED do estado da pilha (3) (aproximadamente 12 a 14 horas).

## Carregar com o cabo de alimentação DC do veículo (fig. A-C)

- ◆ Certifique-se de que o projector está desligado (o bloqueio do gatilho (4) está na posição OFF e o gatilho (10) não está a ser pressionado).

**Advertência!** Não deixe a carregar durante mais de 14 horas.

- ◆ Introduza a ficha do carregador (7) na tomada de carga de 12 Vdc (11).
- ◆ Introduza a ficha acessória do cabo de alimentação do veículo (8) na tomada acessória do seu veículo ou outra fonte de alimentação de 12 Vdc.
- ◆ Deixe carregar até que o LED verde de estado da pilha (3) acenda (cerca de 13 a 14 horas).

Certifique-se de que a fonte DC, ou seja, dispositivo de arranque, pilhas, tomada acessória, etc., é de 12 Vdc e tem capacidade para fornecer, pelo menos, 0,5 amp a 12 Vdc durante oito horas. Isto significa que um conjunto de baterias deverá ser carregado com uma capacidade de, no mínimo, 4 amp/hora.

**Nota:** Quando utilizar a tomada acessória de 12 Vdc do veículo como fonte de carga, poderá ser necessário ligar a ignição do veículo para alimentar a tomada acessória.

## UTILIZAÇÃO

### Utilização do projector (fig. B)

- ◆ Empurre o bloqueio do gatilho (4) para a posição OFF.
- ◆ Pressione o gatilho (10) para ligar o projector.
- ◆ Pressione o gatilho (10) repetidamente a intervalos de um segundo para aumentar o nível de luminosidade.
- ◆ Para bloquear o gatilho (10) na posição ON, pressione o gatilho até obter o nível de luminosidade desejado, depois empurre o bloqueio do gatilho (4) para a posição ON.
- ◆ Para desligar o projector, empurre o bloqueio do gatilho (4) para a posição OFF.

### Utilizar o cordão de transporte integrado

- ◆ O cordão de transporte (6) pode ser utilizado para arrumar ou transportar o projector. Ajuste o nó correição do cordão para o manter bem preso ao objecto de suporte.

## MANUTENÇÃO

A sua ferramenta Black & Decker foi concebida para funcionar por um longo período de tempo com uma manutenção mínima. Um funcionamento contínuo e satisfatório depende de uma manutenção adequada e da limpeza regular da ferramenta.

**Advertência!** Antes de executar qualquer manutenção ou limpeza no aparelho, desligue-o.

- ◆ De vez em quando, limpe o aparelho com um pano húmido. Não utilize nenhum produto de limpeza abrasivo ou à base de solventes. Não mergulhe o aparelho em água.

## Substituição de uma lâmpada (fig. D e E)

Para substituir a lâmpada (1) é necessária uma chave de parafusos pequena de cabeça angular e uma lâmpada nova do tipo indicado na ficha técnica.

**Advertência!** Não toque na parte de vidro da lâmpada. A vida útil da lâmpada poderá ser reduzida se tiver sujidade ou dedadas.

A lâmpada (1) pode ser limpa com um pano humedecido com um detergente à base de álcool.

- ◆ Desligue o projector de qualquer adaptador de carga.
- ◆ Levante e empurre a protecção do anel de borracha (2) para a frente do projector a fim de revelar os dois parafusos pequenos (12) no anel retentor (13).
- ◆ Retire e guarde os dois parafusos (12).
- ◆ Retire o anel retentor (13), a lente de vidro (12) e o anel de borracha (15) e coloque-os de parte.
- ◆ Remova o conjunto do reflector (16) e a lâmpada cuidadosamente.
- ◆ Desligue o fio da lâmpada (17) do fio de alimentação.
- ◆ Solte o gancho retentor (18) da flange do reflector (fig E).
- ◆ Retire o parafuso (19) e desligue o fio.
- ◆ Retire a lâmpada (1) e desligue o fio.
- ◆ Introduza a lâmpada de substituição (1) na flange do reflector (16).
- ◆ Instale o gancho retentor (18) na flange do reflector (16).
- ◆ Instale o fio com o parafuso (19).
- ◆ Ligue o fio da lâmpada (17) ao fio de alimentação.
- ◆ Coloque o reflector (16) em posição no corpo do projector.
- ◆ Instale o anel de borracha (15) na ranhura em torno do perímetro do reflector (16).
- ◆ Instale a lente de vidro (12) e o anel retentor (13) para que os orifícios para parafusos fiquem alinhados.
- ◆ Fixe o anel retentor (13) com os dois parafusos (12).
- ◆ Instale o anel de borracha de protecção (2).

## Substituição do fusível no cabo de alimentação DC do veículo

- ◆ Retire a protecção dourada, rodando-a no sentido oposto aos ponteiros do relógio.
- ◆ Retire a anilha de borracha, pino central e mola.
- ◆ Retire o fusível.
- ◆ Encaixe um novo fusível do mesmo tipo e tamanho (0,5 A).
- ◆ Instale o pino central, mola e anilha de borracha.
- ◆ Instale a protecção dourada, rodando-a no sentido dos ponteiros do relógio na ficha.

## Protecção do ambiente



Se em algum momento verificar que é necessário substituir o aparelho ou que este deixou de ter utilidade, pense na protecção do ambiente. Os agentes de reparação da Black & Decker aceitam ferramentas Black & Decker antigas e garantem que são eliminadas de uma forma segura em termos ambientais.



A recolha separada de produtos e embalagens usados permite que os materiais sejam reciclados e novamente utilizados. A reutilização de materiais reciclados ajuda a evitar a poluição ambiental e reduz a procura de matérias-primas.

A legislação local poderá prever a recolha separada de produtos domésticos eléctricos, seja em lixeiras municipais ou através do revendedor quando adquire um produto novo.

A Black & Decker dispõe de instalações para recolha e reciclagem de produtos Black & Decker quando estes atingem o fim da sua vida útil. Para usufruir deste serviço, devolva o produto em qualquer agente de reparação autorizado, que os recolherá em seu nome.

Pode verificar a localização do agente de reparação autorizado mais perto de si, contactando os escritórios locais da Black & Decker através do endereço indicado neste manual. Se preferir, pode encontrar na Internet uma lista de agentes de reparação autorizados Black & Decker, detalhes completos e contactos do serviço pós-venda, no endereço:

**www.2helpU.com.**



As pilhas Black & Decker podem ser recarregadas muitas vezes. Quando as pilhas chegarem ao fim da sua vida útil, elimine-as de forma segura para o ambiente:

- ◆ Não elimine as pilhas queimando-as, existe risco de explosão.
- ◆ As pilhas de ácido-chumbo (Pb) são recicláveis. Não podem ser deixadas fora juntamente com o lixo doméstico. Se não tiver acesso a uma solução de reciclagem de produtos, deverá remover a pilha tal como descrito abaixo, eliminando-a de acordo com os regulamentos locais.
- ◆ Não coloque os terminais da pilha em curto-circuito.
- ◆ Tenha em conta que a pilha é pesada.
- ◆ Se for possível, utilize o aparelho até esgotar a pilha completamente.

Consulte o diagrama ampliado na contracapa deste manual para informações sobre a remoção de pilhas.

Coloque a pilha numa embalagem adequada, certificando-se de que os terminais não entram em curto-circuito.

Leve a pilha ao seu agente de manutenção ou a uma estação de reciclagem local. As pilhas recolhidas serão recicladas ou eliminadas correctamente.

## Dados técnicos

		BDV156
Voltagem de entrada	Vdc	12
Corrente de entrada	mA	máx. 300
Peso	kg	1.3
Pilha	Tipo	6V 3Ah SLA
Lâmpada	Tipo	H3
<b>Carregador</b>		
Entrada	Vac	230
Tempo de carga aprox.	h	14
Peso	kg	0.2

## Declaração de conformidade CE

BDV156

A Black & Decker declara que estes produtos estão em conformidade com:  
Normas e legislação.

73/23/CEE, 89/336/CEE, 95/54/CE, EN60335, EN61000, EN60598, EN61347, EN55014

Kevin Hewitt  
Director de Engenharia de  
Consumo  
Spennymoor, County Durham  
DL16 6JG,  
Reino Unido  
31-08-2006

## Garantia

A Black & Decker confia na qualidade dos seus produtos e oferece uma garantia excelente. Esta declaração de garantia é um complemento dos seus direitos estabelecidos por lei, não os prejudicando de forma alguma. A garantia é válida nos territórios do Estados Membros da União Europeia e da Associação Europeia de Comércio Livre.

Se um produto Black & Decker se avariar devido a defeitos de material, fabrico ou não conformidade, num período de 24 meses após a data da compra, a Black & Decker garante a substituição de peças defeituosas, a reparação de produtos sujeitos a um desgaste aceitável ou a substituição dos mesmos para garantir o mínimo de inconveniente ao cliente, excepto se:

- ◆ O produto tiver sido utilizado para fins comerciais, profissionais ou de aluguer.
- ◆ O produto tiver sido submetido a utilização indevida ou descuido.
- ◆ O produto tiver sido danificado por objectos estranhos, substâncias ou acidentes.
- ◆ Tiverem sido tentadas reparações por pessoas que não sejam agentes de reparação autorizados ou técnicos de manutenção da Black & Decker.

Para accionar a garantia, terá de apresentar comprovativos de compra ao vendedor ou a um agente de reparação autorizado. Pode verificar a localização do agente de reparação autorizado mais perto de si contactando a sucursal local da Black & Decker através do endereço indicado neste manual. Se preferir, pode encontrar na Internet uma lista de agentes de reparação autorizados Black & Decker, detalhes completos e contactos do serviço pós-venda, no endereço:

**[www.2helpU.com](http://www.2helpU.com)**

Visite o nosso website **[www.blackanddecker.eu](http://www.blackanddecker.eu)** para registar o novo produto Black & Decker e manter-se actualizado sobre novos produtos e ofertas especiais. Pode encontrar mais informações sobre a marca Black & Decker e sobre a nossa gama de produtos em

**[www.blackanddecker.eu](http://www.blackanddecker.eu)**.

## Användningsområde

Denna spotlight från Black & Decker är avsedd att användas som belysning vid gör-det-självt-projekt och vid fritidsaktiviteter. Produkten är endast avsedd som konsumentverktyg.

## Säkerhetsinstruktioner

**Varning!** Vid användning av batteridrivna apparater ska grundläggande säkerhetsföreskrifter, inklusive följande föreskrifter, alltid följas. Detta för att förhindra brand, läckande batterier, personskador och materialskador.

- ◆ Läs den här bruksanvisningen noggrant innan du använder apparaten.
- ◆ Användningsområdet beskrivs i den här bruksanvisningen. Användning av andra tillbehör eller tillsatser eller om någon annan åtgärd utförs med apparaten än de som rekommenderas i den här bruksanvisningen kan leda till personliga skador.
- ◆ Behåll bruksanvisningen för framtida referens.

## Använda apparaten

Var alltid försiktig när du använder apparaten.

- ◆ Apparaten är inte avsedd att användas av unga eller oerfarna personer utan övervakning.
- ◆ Apparaten ska inte användas som leksak.
- ◆ Använd den endast på torra ställen. Låt inte enheten bli våt.
- ◆ Doppa aldrig apparaten i vatten.
- ◆ Öppna inte höljet. Det finns inga delar som kan repareras av användaren inuti.
- ◆ Undvik explosionsrisk och använd inte apparaten i omgivningar med brandfarliga vätskor, gaser eller damm.
- ◆ Dra aldrig i sladden när du vill ta ut kontakten ur vägguttaget. Detta för att minska risken för skador på kontakter och sladdar.

## Efter användning

- ◆ När den inte används bör apparaten förvaras på en torr plats med god ventilation utom räckhåll för barn.
- ◆ Placera apparaten på ett ställe där barn inte kan komma åt den.
- ◆ När apparaten förvaras eller transporteras i ett fordon, ska den placeras i bagageutrymmet eller spännas fast för att förhindra rörelse till följd av plötsliga ändringar i hastighet eller riktning.
- ◆ Apparaten bör skyddas från direkt solljus, värme och fukt.

## Kontroll och reparationer

- ◆ Kontrollera att apparaten är hel och att den inte innehåller några skadade delar innan du använder den. Kontrollera att inga delar är trasiga, att strömbrytaren fungerar och att inget annat föreligger som kan påverka apparatens funktioner.
- ◆ Använd inte apparaten om någon del har skadats eller gått sönder.

- ◆ Reparera eller byt ut skadade eller trasiga delar på en auktoriserad verkstad.
- ◆ Försök aldrig ta bort eller byta ut andra delar än dem som anges i den här bruksanvisningen.

## Särskilda säkerhetsinstruktioner för spotlight

Spotlighten är märkt med följande varningssymbol:



Rör inte linsen eftersom den blir mycket varm vid användning och förblir varm i flera minuter efter att spotlighten har stängts av.

- ◆ Låt spotlighten svalna helt innan du ställer undan eller laddar apparaten.
- ◆ Se till att spotlightlinsen inte kommer i kontakt med brännbart material. Extrem värme kan orsaka brand.
- ◆ Placera aldrig apparaten med ljuset riktat nedåt mot någon yta när den är påslagen eller när den kyls av.
- ◆ Lämna aldrig apparaten övervakad. Håll barn och djur på avstånd från arbetsområdet.
- ◆ Kontrollera linsen beträffande skador till följd av stötar eller om spotlighten tappas. Använd inte apparaten utan lins eller med skadad lins.
- ◆ Linsen är tillverkad av glas. Linsen kan spricka eller gå sönder om den utsätts för stötar. Om linsen skadas ska den ersättas med tillverkarens originaldelar. Använd handskar eftersom vassa kanter kan orsaka skada.
- ◆ Titta aldrig direkt in i skenet, och rikta aldrig skenet direkt i ögonen på en annan person.
- ◆ Doppa aldrig spotlighten i vatten.
- ◆ Ersätt endast glödlampen med den typ som anges i den tekniska informationen.
- ◆ Använd endast laddningsadaptern från Black & Decker som medföljer enheten. Anslut laddningsadaptern först till spotlighten, anslut sedan i laddningskällan.

## Ytterligare säkerhetsinstruktioner för batterier och laddare

### Batterier

- ◆ Försök aldrig att öppna batterierna.
- ◆ Utsätt inte batteriet för vatten.
- ◆ Förvara inte på platser där temperaturen kan bli högre än 40 °C.
- ◆ Ladda endast vid temperaturer mellan 10 °C och 40 °C.
- ◆ Ladda endast med hjälp av laddare som medföljer apparaten.
- ◆ Följ instruktionerna som anges i avsnittet "Miljö" när du kastar batterierna.
- ◆ Under extrema förhållanden kan batterierna läcka. Om det finns vätska på batterierna, ska du torka bort vätskan försiktigt med hjälp av en trasa. Undvik hudkontakt.
- ◆ Vid kontakt med hud eller ögon, följ instruktionerna nedan.

**Varning!** Batterivätskan är en utspädd svavelsyra och kan orsaka person- eller materialskador. Vid hudkontakt, spola genast med vatten. Vid rodnader, smärta eller irritation ska läkare uppsökas. Vid kontakt med ögonen, spola genast med rent vatten, och uppsök genast läkare.

### Laddare

Laddaren är avsedd för en viss spänning. Kontrollera alltid att nätspänningen överensstämmer med värdet på typskylten.

**Varning!** Försök aldrig byta ut kontakten till laddaren mot en vanlig kontakt.

Använd laddaren från Black & Decker endast för att ladda batteriet i den apparat som laddaren levererades med. Andra batterier kan spricka och orsaka personskador och andra skador.

- ◆ Försök aldrig att ladda ej uppladdningsbara batterier.
- ◆ Byt defekta sladdar genast.
- ◆ Utsätt inte laddaren för vatten.
- ◆ Öppna inte laddaren.
- ◆ Gör ingen åverkan på laddaren.

Batteriet ska placeras på en plats med god ventilation vid laddning.

### ÖVERLADDA INTE:

- ◆ AC-laddning upp till max 14 timmar.
- ◆ DC-laddning upp till max 14 timmar.
- ◆ Koppla loss laddningsadaptern efter laddning, och vänta i 5 minuter innan du använder apparaten.

### Följande symboler finns på laddaren:



Eftersom laddaren är dubbelisolerad behövs ingen jordledare.



Helsäker isoleringstransformator. Elnätet är elektriskt avskilt från transformatorns uteffekt.



Laddaren stängs av automatiskt om temperaturen blir för hög. Den går då inte längre att använda. Laddaren måste kopplas från eluttaget och tas till en auktoriserad verkstad för reparation.



Laddaren är endast avsedd för användning inomhus.

### Elektrisk säkerhet



Eftersom verktyget är dubbelisolerat behövs ingen jordledare. Kontrollera alltid att nätspänningen överensstämmer med värdet på typskylten.

- ◆ Om nåtsladden är skadad måste den för undvikande av fara bytas ut av tillverkaren eller en auktoriserad Black & Decker-verkstad.

### Funktioner

Denna apparat har några eller samtliga av följande funktioner:

1. Utbyttbar kvartshalogenlampa
2. Skyddsring i gummi
3. Lysdiod för batteristatus
4. Utlösningsspär
5. Pistolgrepp
6. Bärrem
7. Kontakt för laddare
8. DC-sladd till fordon
9. Huvudladdningsadapter
10. Utlösare för ljusstyrka med tre lägen
11. 12 V DC-laddningsuttag

### Ladda spotlighten (fig. A–C)

- ◆ Denna spotlight levereras i delvist laddat tillstånd. Ladda spotlighten innan den används första gången med hjälp av huvudladdningsadaptern (9) i 12–14 timmar eller tills den gröna lysdioden (3) för batteristatus tänds.
- ◆ Ladda efter varje användning tills den gröna lysdioden för batteristatus (3) tänds.

Tryck på tryckknappen för batteristatus (5) för att när som helst kontrollera batteriladdningsstatus.

Lysdiодerna visar laddningsnivån.

- ◆ En röd lysdiod indikerar att enheten bör laddas snart.
- ◆ Två röda lysdioder indikerar en hög laddningsnivå.
- ◆ Den gröna lysdioden tänds för att indikera en fulladdad enhet.

### Ladda med huvudladdare (fig. A–C)

- ◆ Se till att spotlighten är avstängd (utlösningsspärren (4) är i läge av och utlösaren (10) inte är intryckt).

**Varning!** Ladda inte mer än 14 timmar.

- ◆ Sätt i laddarens kontakt (7) i 12 V DC-laddningsuttaget (11).
- ◆ Sätt i huvudladdningsadaptern (9) i ett huvudeluttag.
- ◆ Ladda tills den gröna lysdioden för batteristatus (3) tänds (cirka 12–14 timmar).

### Ladda med DC-sladd till fordon (fig. A–C)

- ◆ Se till att spotlighten är avstängd (utlösningsspärren (4) är i läge av och utlösaren (10) inte är intryckt).

**Varning!** Ladda inte mer än 14 timmar.

- ◆ Sätt i laddarens kontakt (7) i 12 V DC-laddningsuttaget (11).
- ◆ Sätt i tillbehörskontakten på DC-sladden till fordonet (8) i tillbehörsuttaget i fordonet eller i annat 12 V DC-eluttag.
- ◆ Ladda tills den gröna lysdioden för batteristatus (3) tänds (cirka 13–14 timmar).

Se till att DC-källan, t.ex. starthjälp, batteri, fordonets tillbehörsuttag m.m., är 12 V DC och kan mata minst 0,5 A vid 12 V DC i åtta timmar. Det betyder att ett batteri bör laddas med minst 4 A/timkapacitet.

**Obs!** Vid användning av fordonets 12 V DC-tillbehörsuttag som laddningskälla kan det vara nödvändigt att slå på fordonets tändning för att driva tillbehörsuttaget.

## ANVÄNDNING

### Hantera spotlighten (fig. B)

- ◆ För ned utlösningsspärren (4) till läge av.
- ◆ Tryck på utlösaren (10) för att slå på spotlighten.
- ◆ Tryck på utlösaren (10) upprepade gånger i enskundsintervaller för att öka ljusnivån från dämpad till ljus belysning.
- ◆ För att spärra utlösaren (10) i läge på trycker du på utlösaren tills önskad ljusnivå uppnås. För sedan utlösningsspärren (4) upp till läge på.
- ◆ För att stänga av spotlighten för du ned utlösningsspärren (4) till läge av.

### Använda inbyggd bärem

- ◆ Bärremmen (6) kan användas för att förvara eller bära spotlighten. Justera reglaget på sladdarna så att remmen sitter säkert runt föremålet.

## UNDERHÅLL

Detta Black & Decker-verktyg har tillverkat för att fungera under lång tid med ett minimum av underhåll. Med rätt underhåll och regelbunden rengöring behåller verktyget sin prestanda.

**Varning!** Dra ut elsladden innan du utför underhåll på eller rengör apparaten.

- ◆ Torka av apparaten med en fuktig trasa ibland. Använd aldrig rengöringsmedel med lösnings- eller slipmedel. Doppa aldrig apparaten i vatten.

### Byta glödlampa (fig. D och E)

För att byta glödlampa (1) behöver du en liten stjärmejsel och en ny glödlampa enligt den tekniska informationen.

**Varning!** Rör inte glödlampans glasdel. Glödlampans livslängd kan förkortas om glödlampans monterats med smuts eller fingeravtryck.

Glödlampa (1) kan torkas ren med en trasa fuktad med alkoholbaserat rengöringsmedel.

- ◆ Koppla loss spotlighten från eventuella laddningsadapterar.
- ◆ Lyft och tryck skyddsringen i gummi (2) framåt mot spotlightens främre del för att komma åt två små krysskruvar (12) i ringen (13).
- ◆ Ta bort och förvara de två skruvarna (12).
- ◆ Lyft av ringen (13), glaslinsen (12) och O-ringen i gummi (15), och lägg dem åt sidan.
- ◆ Ta försiktigt bort reflektorn (16) och glödlampsenheten.
- ◆ Koppla loss glödlampans ledning (17) från strömledningen.
- ◆ Lossa fästclipset (18) från reflektorns fläns (fig. E).
- ◆ Ta bort skruven (19) och lossa ledningen.
- ◆ Ta bort glödlampa (1) och lossa ledningen.
- ◆ Sätt i den nya glödlampa (1) i reflektorns fläns (16).
- ◆ Sätt dit fästclipset (18) i reflektorns fläns (16).

- ◆ Sätt dit ledningen med skruven (19).
- ◆ Anslut glödlampans ledning (17) med strömledningen.
- ◆ Placera reflektorn (16) i läge i spotlightens hölje.
- ◆ Sätt dit O-ringen i gummi (15) i spåret runt reflektorns utsida (16).
- ◆ Sätt dit glaslinsen (12) och ringen (13) så att skruvhålen sitter rätt.
- ◆ Fäst ringen (13) med de två skruvarna (12).
- ◆ Sätt dit skyddsringen i gummi (2).

### Byta säkring i fordonets DC-sladd

- ◆ Ta bort gulddlocket genom att vrida det moturs.
- ◆ Ta bort gummibrickan, och centrumtappen och fjädern.
- ◆ Ta bort säkringen.
- ◆ Sätt dit en ny säkring av samma typ och storlek (0,5 A).
- ◆ Sätt dit centrumtappen, fjädern och gummibrickan.
- ◆ Sätt dit gulddlocket genom att vrida det medurs på kontakten.

## Miljö



Tänk på miljön när du slänger apparaten. Släng den inte tillsammans med vanligt avfall. Black & Decker-verkstäder tar emot gamla Black & Decker-verktyg och ser till att de omhändertas på ett miljövänligt sätt.



Insamling av uttjänta produkter och förpackningsmaterial gör att material kan återanvändas. Användning av återvunnet material minskar föroreningar av miljön och behovet av råmaterial.

Lokala föreskrifter kan kräva separat insamling av elprodukter från hushållen, vid kommunala samlingsplatser eller hos återförsäljaren när du köper en ny produkt.

Black & Decker samlar in och återvinner uttjänta Black & Decker-produkter. Om du vill utnyttja denna tjänst återlämnar du produkten till en auktoriserad verkstad, som samlar in den för vår räkning.

För information om närmaste auktoriserade verkstad, kontakta det lokala Black & Decker-kontoret på den adress som är angiven i bruksanvisningen. En lista på alla auktoriserade verkstäder samt servicevillkor finns även tillgängliga på Internet: [www.2helpU.com](http://www.2helpU.com).



Batterier från Black & Decker kan laddas om många gånger. Kassera batterierna på ett miljövänligt sätt när de är förbrukade:

- ◆ Bränn inte batteriet eftersom det kan orsaka explosion.
- ◆ Blybatterier (Pb) kan återvinnas. De får inte kasseras med hushållsavfall. Om du inte har tillgång till en återvinningsstation, måste batteriet tas bort enligt nedan och kasseras enligt lokala bestämmelser.
- ◆ Kortslut inte batteriets poler.
- ◆ Tänk på att batteriet är tungt.

- ◆ Använd apparaten så att batteriet laddas ur helt om möjligt.

Se sprängskissen på baksidan av denna bruksanvisning för att underlätta borttagning av batterier.

Lägg batterierna i en lämplig förpackning så att det inte blir kortslutning mellan polerna.

Ta med batteriet till din verkstad eller en återvinningsstation. Insamlade batterier återvinns eller kasseras korrekt.

#### Tekniska data

		<b>BDV156</b>
Spänning	Vdc	12
Inström	mA	300 max
Vikt	kg	1,3
Batteri	Typ	6 V 3 Ah SLA
Glödlampa	Typ	H3
<b>Laddare</b>		
Inspänning	VAC	230
Laddningstid cirka	h	14
Vikt	kg	0,2

### EC-förklaring om överensstämmelse

BDV156

Black & Decker förklarar att dessa produkter överensstämmer med:

Normer och lagstiftning.

73/23/EEG, 89/336/EEG, 95/54/EG, EN60335, EN61000, EN60598, EN61347, EN55014



Kevin Hewitt  
Director of Consumer Engineering  
Spennymoor, County Durham  
DL16 6JG,  
Storbritannien  
31-08-2006

### Garanti

Black & Decker garanterar att produkten är fri från material- och/eller fabriktionsfel vid leverans till kund. Garantin gäller utöver konsumentens rättigheter enligt lag och påverkar inte dessa. Garantin gäller inom medlemsstaterna i Europeiska Unionen och i det Europeiska Frihandelsområdet.

Om en Black & Decker-produkt går sönder på grund av material- och/eller fabriktionsfel eller brister i överensstämmelse med specifikationen, inom 24 månader från köpet, åtar sig Black & Decker att reparera eller byta ut produkten med minsta besvär för kunden, förutom om:

- ◆ Produkten har använts i kommersiellt, yrkesmässigt eller i uthyringssyfte.
- ◆ Produkten har utsatts för felaktig användning eller skötsel.
- ◆ Produkten har skadats av främmande föremål, ämnen eller genom olyckshändelse.
- ◆ Reparation har utförts av någon annan än en auktoriserad Black & Decker-verkstad.

För att utnyttja garantin skall produkten och inköpskvittot lämnas till återförsäljaren eller till en auktoriserad verkstad senast 2 månader efter det att felet har upptäckts.

För information om närmaste auktoriserad verkstad, kontakta det lokala Black & Decker-kontoret på den adress som är angiven i bruksanvisningen. En lista på alla auktoriserade verkstäder samt servicevillkor finns även tillgängliga på Internet:

**www.2helpU.com**

Besök vår webbplats **www.blackanddecker.se** för att registrera din nya Black & Decker-produkt samt för att erhålla information om nya produkter och specialerbjudanden. Vidare information om märket Black & Decker och vårt produktsortiment finns på **www.blackanddecker.se**.



## Bruksområde

Black & Decker-lyskasteren er utformet for hobby- og fritidsbruk. Verktøyet er tiltenkt kun som konsumentverktøy.

## Sikkerhetsinstrukser

**Advarsel!** Ved bruk av batteridrevne apparater må grunnleggende sikkerhetsforholdsregler, inkludert punktene som er beskrevet nedenfor, alltid følges for å redusere risikoen for brann, batterilekkasje, person- og materialskade.

- ◆ Les hele håndboken nøye før du bruker apparatet.
- ◆ Tiltent bruk er beskrevet i denne håndboken. Bruk av tilbehør eller utføring av oppgaver som ikke er anbefalt for apparatet i denne håndboken, kan medføre fare for personskade.
- ◆ Oppbevar håndboken for fremtidig referanse.

### Bruk av apparatet

Vær alltid forsiktig når du bruker apparatet.

- ◆ Dette apparatet skal ikke brukes av barn eller svakelige personer uten tilsyn.
- ◆ Apparatet skal ikke brukes som leketøy.
- ◆ Brukes bare i tørre omgivelser. Ikke la apparatet bli fuktig.
- ◆ Ikke senk apparatet ned i vann.
- ◆ Ikke åpne apparatet. Det er ingen deler inni som kan repareres av brukere.
- ◆ Ikke arbeid med apparatet i eksplosjonsfarlige omgivelser, som for eksempel der det befinner seg brennbare væsker, gass eller støv.
- ◆ Dra aldri i kablet når du skal ta støpselet ut av stikkkontakten. Da risikerer du å skade både den og støpselet.

### Etter bruk

- ◆ Når apparatet ikke er i bruk, skal det oppbevares på et tørt og luftig sted utenfor barns rekkevidde.
- ◆ Barn skal ikke ha tilgang til apparater som ikke er i bruk.
- ◆ Når apparatet oppbevares eller transporteres i et kjøretøy, bør det plasseres i bagasjerommet eller festes, slik at det ikke påvirkes av raske farts- eller retningsendringer.
- ◆ Apparatet må beskyttes mot direkte sollys, varme og fuktighet.

### Kontroll og reparasjon

- ◆ Kontroller at apparatet ikke er skadet eller har defekte deler før du bruker det. Kontroller om noen av delene har sprekker, om bryterne er skadet eller om det er andre forhold som kan ha innvirkning på driften.
- ◆ Ikke bruk apparatet hvis det har skadde eller defekte deler.
- ◆ Overlat reparasjon eller utskifting av skadde eller defekte deler til et autorisert serviceverksted.
- ◆ Forsøk aldri å fjerne eller skifte ut andre deler enn de som er oppgitt i denne håndboken.

## Spesifikke sikkerhetsinstruksjoner for lyskasteren

Følgende sikkerhetssymbol finnes på lyskasteren din:



Ikke rør linsen. Den blir veldig varm under bruk, og den forblir varm i flere minutter etter at lyskasteren er slått av.

- ◆ La lyskasteren kjøles helt ned før du lader den eller setter den vekk.
- ◆ Hold brennbare materialer borte fra lyskasterlinsen. Ekstrem varme kan føre til brann.
- ◆ Plasser aldri lyskasterfronten ned mot noen overflater når den er slått på eller kjøles av.
- ◆ Ikke la lyskasteren stå på uten tilsyn. Hold barn og dyr borte fra arbeidsområdet.
- ◆ Se etter skader på linsen ved sammenstøt. Ikke bruk apparatet uten linsen eller med en skadet linse.
- ◆ Linsen er laget av glass. Den kan sprekke eller knuses ved sammenstøt. Hvis linsen skades, må den erstattes med originaldeler fra produsenten. Bruk hansker, siden skarpe kanter kan føre til skade.
- ◆ Se aldri rett inn i lyset eller rett lyset mot øynene til en annen person.
- ◆ Ikke få vann på lyskasteren.
- ◆ Bruk bare ekstrapærer av typen som er angitt i spesifikasjonene.
- ◆ Bruk bare Black & Decker-ladeadaptere av typen som følger med apparatet. Koble ladeadapteren til lyskasteren først, deretter kobler du til strøm.

## Ytterligere sikkerhetsinstruksjoner for batterier og ladere

### Batterier

- ◆ Forsøk ikke å åpne uansett hvilket formål du måtte ha.
- ◆ Ikke utsett batteriet for vann.
- ◆ Oppbevar ikke på steder der temperaturen kan overskride 40 °C.
- ◆ Lad bare ved temperaturer mellom 10°C og 40°C.
- ◆ Bruk bare ladere av typen som følger med apparatet.
- ◆ Følg instruksjonene som finnes i avsnittet "Miljø" når du skal kaste batterier.
- ◆ Under ekstreme forhold kan batterilekkasje forekomme. Hvis du oppdager væske på batteriene, tørker du den forsiktig av med en klut. Unngå kontakt med huden.
- ◆ Hvis væsken kommer i kontakt med huden eller øynene, følger du instruksjonene nedenfor.

**Advarsel!** Batterivæsken er fortynnet svovelsyre og kan føre til person- eller materialskade. Ved hudkontakt renser du umiddelbart med vann. Hvis huden blir rød eller irritert eller smerter inntreffer, søk øyeblikkelig medisinsk hjelp. Hvis væsken kommer i kontakt med øynene, rens umiddelbart med vann og søk øyeblikkelig medisinsk hjelp.

## Ladere

Laderen er konstruert for en bestemt spenning. Kontroller alltid at nettspenningen er i overensstemmelse med spenningen på typeskiltet.

**Advarsel!** Prøv aldri å skifte ut laderen med en vanlig nettplugg.

Bruk bare Black & Decker-laderen til å lade batteriet i apparatet som laderen kom sammen med. Andre batterier kan sprekke og føre til personskade.

- ◆ Prøv aldri å lade ikke-oppladbare batterier.
- ◆ Skift ut defekte ledninger umiddelbart.
- ◆ Ikke utsett laderen for vann.
- ◆ Ikke åpne laderen.
- ◆ Ikke stikk gjenstander eller fingre ned i laderen.

Batteriet må plasseres på et sted med god gjennomlufting når det lades.

IKKE OVERLAD:

- ◆ Opplading med vekselstrøm opptil maksimalt 14 timer.
- ◆ Opplading med likestrøm opptil maksimalt 14 timer.
- ◆ Etter lading kobler du fra ladeadapteren og venter i fem minutter før du bruker apparatet.

## Du finner følgende symboler på laderen:



Denne ladeenheten er dobbeltisoleret. Jording er derfor ikke nødvendig.



Feilsikker skilletransformator. Nettstrømtilførselen er elektrisk skilt fra transformatorutgangen.



Laderen slår seg av automatisk hvis temperaturen i omgivelsene blir for høy. Som følge av dette vil ikke laderen virke. Ladeenheten må kobles fra strømforsyningen og repareres på et autorisert serviceverksted.



Ladeenheten er bare tiltenkt for bruk innendørs.

## Elektrisk sikkerhet



Dette apparatet er dobbeltisoleret. Jording er derfor ikke nødvendig. Kontroller at spenningen er i overensstemmelse med spenningen på typeskiltet.

- ◆ Hvis strømledningen blir skadet, må den skiftes av produsenten eller et autorisert Black & Decker-servicenter for å unngå fare.

## Funksjoner

Dette apparatet inneholder noen av eller alle funksjonene nedenfor:

1. Utskiftbar kvartshalogenpære
2. Gummibeskyttelse

3. Indikator for batteristatus
4. Utløserlås
5. Pistolhåndtak
6. Bærestropp
7. Ladeplugg
8. DC-ladeadapter for bil
9. Ladeadapter
10. 3-trinns lysstyrkeknapp
11. 12 V DC-ladesokkel

## Lade opp lyskasteren (figur A - C)

- ◆ Denne lyskasteren ble levert i en delvis oppladet tilstand. Lad opp lyskasteren før første gangs bruk ved hjelp av ladeadapteren (9) i 12-14 timer eller til den grønne indikatoren (3) lyser.
- ◆ Lad etter hver gang du har brukt den, til den grønne batteriindikatoren (3) lyser.

Trykk på batteristatusknappen (3) for å sjekke batteristatusen.

Indikatorene viser oppladingsnivået.

- ◆ Én rød indikator angir at apparatet snart bør lades opp.
- ◆ To røde indikatorer angir et høyt batterinivå.
- ◆ Den grønne indikatoren angir et fullstendig oppladet apparat.

## Opplading med ladeadapteren (figur A - C)

- ◆ Pass på at lyskasteren er av (utløserlåsen (4) er i av-posisjon, og utløseren (10) er ikke trykt inn).

**Advarsel!** Ikke lad lenger enn i 14 timer.

- ◆ Sett ladepluggen (7) i 12 V DC-ladesokkelen (11).
- ◆ Koble ladeadapteren (9) til et strømuttak.
- ◆ Lad opp til den grønne indikatoren (3) lyser (ca. 12–14 timer).

## Lading med DC-ladeadapter for bil (figur A - C)

- ◆ Pass på at lyskasteren er av (utløserlåsen (4) er i av-posisjon, og utløseren (10) er ikke trykt inn).

**Advarsel!** Ikke lad lenger enn i 14 timer.

- ◆ Sett ladepluggen (7) i 12 V DC-ladesokkelen (11).
- ◆ Sett tilbehørspluggen (8) på billadeadapteren inn i uttaket på bilen eller et annet 12 V DC-uttak.
- ◆ Lad opp til den grønne indikatoren (3) lyser (ca. 13–14 timer).

Påse at DC-uttaket i bilen, nødstarteren, batteripakken osv. er 12 V DC og kan levere minst 0,5 ampere ved 12 V DC i åtte timer. Dette betyr at en batteripakke skal lades med minst 4 ampere i timen.

**Merk:** Ved bruk av et biluttak kan det være nødvendig å slå på bilens tenning for å gi strøm til uttaket.

## BRUK

### Bruke lyskasteren (figur B)

- ◆ Flytt utløserlåsen (4) ned til av-posisjon.
- ◆ Trykk på utløseren (10) for å slå lyskasteren på.
- ◆ Trykk gjentatte ganger på utløseren (10) med intervaller på et sekund for å øke lysstyrken fra lav til høy.
- ◆ Hvis du vil låse utløseren (10) i på-posisjon, trykker du på den til ønsket lysstyrke er nådd og flytter deretter utløserlåsen (4) opp til på-posisjon.
- ◆ Slå av lyskasteren ved å flytte utløserlåsen (4) ned til av-posisjon.

### Bruke den fastmonterte bærestroppen

- ◆ Bærestroppen (6) kan brukes til å oppbevare eller bære lyskasteren. Juster bærestroppen slik at den sitter godt rundt støttegjennstanden.

## VEDLIKEHOLD

Black & Decker-verktøyet ditt er konstruert for å være i drift over lengre tid med et minimum av vedlikehold. Det er avhengig av godt vedlikehold og regelmessig rengjøring for å fungere som det skal til enhver tid.

**Advarsel!** Før du utfører noe vedlikehold på eller rengjøring av apparatet, må du koble fra strømmen.

- ◆ Av og til kan du tørke av apparatet med en fuktig klut. Ikke bruk slipende eller løsemiddelbaserte rengjøringsmidler. Ikke senk apparatet ned i vann.

### Skifte pære (figur D og E)

For å skifte pæren (1) trenger du en stjernetrekker og en ny pære, slik det står i spesifikasjonene.

**Advarsel!** Ikke kom i kontakt med glassdelen av pæren. Pærens levetid kan reduseres hvis det kommer smuss eller fingeravtrykk på den.

Pæren (1) kan tørkes av med en klut som er fuktet med et alkoholholdig rengjøringsmiddel.

- ◆ Koble lyskasteren fra eventuelle ladeadaptere.
- ◆ Løft og skyv gummibeskyttelsen (2) fremover mot fronten av lyskasteren slik at du ser to små skruer med stjernehoder (12) i låseringen (13).
- ◆ Skru ut og ta vare på de to skruene (12).
- ◆ Løft av låseringen (13), glasslinsen (12) og gummiringen (15), og legg dem til siden.
- ◆ Ta forsiktig ut reflektoren (16) og pærekomponenten.
- ◆ Koble pæreledningen (17) fra strømledningen.
- ◆ Fjern låseklemmen (18) fra reflektoren (figur E).
- ◆ Skru ut skruen (19) og løsne ledningen.
- ◆ Ta ut pæren (1) og løsne ledningen.
- ◆ Sett den nye pæren (1) på plass i reflektoren (16).
- ◆ Sett låseklemmen (18) på plass i reflektoren (16).
- ◆ Sett på plass ledningen med skruen (19).
- ◆ Koble pæreledningen (17) til strømledningen.
- ◆ Sett reflektoren (16) på plass i lyskasteren.

- ◆ Sett gummiringen (15) på plass i sporet rundt reflektorens ytterkant (16).
- ◆ Sett på plass glasslinsen (12) og låseringen (13) slik at skruhellene er justert.
- ◆ Skru på plass låseringen (13) med de to skruene (12).
- ◆ Sett på plass gummibeskyttelsen (2).

### Skifte ut sikringen i DC-ladeadapteren for bil

- ◆ Fjern dekselet ved å skru det mot klokken.
- ◆ Fjern gummiringen, pinnen og fjæren.
- ◆ Ta ut sikringen.
- ◆ Sett inn en ny sikring av samme type og i samme størrelse (0,5 A).
- ◆ Sett på plass pinnen, fjæren og gummiringen.
- ◆ Sett på dekselet ved å skru det med klokken.

## Miljø



Når apparatet er utslitt, bør det kasseres på en miljøvennlig måte. Black & Decker-serviceverkstedene tar i mot gamle Black & Decker-verktøy og kasserer dem på en miljømessig forsvarlig måte.



Hvis brukte produkter og emballasje leveres atskilt, kan materialer resirkuleres og brukes på nytt. Resirkulering av brukte produkter gir redusert miljøforurensing og mindre behov for råmaterialer.

Det kan være lokale bestemmelser for egen innsamling av elektriske produkter fra husstander, på kommunale avfallsplasser eller hos forhandleren når du kjøper et nytt produkt.

Black & Decker tar i mot brukte Black & Decker-produkter for resirkulering. Du kan levere produktet til et autorisert serviceverksted.

For informasjon om nærmeste autoriserte serviceverksted, kontakt ditt lokale Black & Decker-kontor på den adressen som er angitt i bruksanvisningen. Det finnes også en liste over autoriserte Black & Decker-serviceverksteder og opplysninger om ettersalgsservice og kontakter på Internett: [www.2helpU.com](http://www.2helpU.com).



Black & Decker-batterier kan lades opp mange ganger. Tenk på miljøet når batteriene er tomme og du skal kaste dem.

- ◆ Ikke kast batteriet på ild. Dette kan føre til en eksplosjon.
- ◆ Blybatterier (Pb) kan gjenvinnes. De må ikke kastes sammen med vanlig restavfall. Hvis du ikke har tilgang til en returordning, må batteriet fjernes som beskrevet nedenfor og kastes i overensstemmelse med lokale bestemmelser.
- ◆ Ikke kortslutt batteripolene.
- ◆ Vær oppmerksom på at batteriet er tungt.
- ◆ La om mulig apparatet stå på til batteriet er helt utladet.

Se diagrammet på baksiden av denne brukerhåndboken for å få hjelp til å fjerne batteriene.

Legg batteriet i egnet emballasje for å sikre at polene ikke kortslutter.

Lever batteriet til et serviceverksted eller en lokal spesialavfallsstasjon. Innleverte batterier vil bli gjenvunnet eller kastet på riktig måte.

## Tekniske data

	BDV156	
Inngangsspenning	Vdc	12
Tilførselsstrøm	mA	300 maks.
Vekt	kg	1,3
Batteri	Type	6V 3Ah SLA
Pære	Type	H3
<b>Lader</b>		
Tilførsel	V AC	230
Omtrentlig ladetid	t	14
Vekt	kg	0,2

- ◆ produktet har blitt skadet av fremmede gjenstander eller stoffer eller ved et uhell.
- ◆ reparasjoner er forsøkt utført av andre enn autoriserte serviceverksteder eller Black & Deckers serviceteknikere.

For å ta garantien i bruk skal produktet og kjøpekvittering leveres til forhandleren eller til et autorisert serviceverksted. For informasjon om nærmeste autoriserte serviceverksted, kontakt ditt lokale Black & Decker-kontor på den adressen som er angitt i bruksanvisningen. En oversikt over autoriserte serviceverksteder og opplysninger om ettersalgsservice og kontakter er også tilgjengelig på Internett:

**www.2helpU.com**

Besøk vårt webområde **www.blackanddecker.no** for å registrere ditt nye Black & Decker-produkt og for å holde deg oppdatert om nye produkter og spesialtilbud. Du finner mer informasjon om Black & Decker og produktutvalget vårt på **www.blackanddecker.no**.

## Samsvarserklæring for EU

BDV156

Black & Decker erklærer at disse produktene overholder:

Standarder og lovreguleringer

73/23/EEC, 89/336/EEC, 95/54/EC, EN60335, EN61000, EN60598, EN61347, EN55014



Kevin Hewitt  
Direktør for forbrukerteknikk  
Spennymoor, County Durham  
DL16 6JG,  
Storbritannia  
31.08.2006

## Garanti

Black & Decker er trygg på kvaliteten til sine produkter og tilbyr en enestående garanti. Denne garantierklæringen kommer i tillegg til dine lovbestemte rettigheter, og er ikke i konflikt med disse. Garantien er gyldig i EU- og EFTA-medlemsstatene.

Hvis et Black & Decker-produkt går i stykker på grunn av material- og/eller fabrikkasjonsfeil eller har mangler i forhold til spesifikasjonene, innen 24 måneder fra kjøpet, påtar Black & Decker seg å skifte ut defekte deler, reparere produkter som har vært utsatt for alminnelig slitasje, eller bytte ut slike produkter med minst mulig vanskelighet for kunden, med mindre:

- ◆ produktet har vært brukt i yrkes-/næringsvirksomhet eller til utleie.
- ◆ produktet har vært utsatt for feilaktig bruk eller mislighold.

## Anvendelsesområde

Din Black & Decker-lampe er designet til at give lys til gør-det-selv-projekter og til fritidsbrug. Dette produkt er kun beregnet til privat brug.

## Sikkerhedsvejledninger

**Advarsel!** Ved brug af batteridrevne apparater er det vigtigt, at grundlæggende sikkerhedsforholdsregler, herunder bl.a. nedenstående, altid følges for at mindske risikoen for brand, lækkende batterier, personskade og tingsskade.

- ◆ Læs hele denne vejledning omhyggeligt, før du bruger apparatet.
- ◆ Apparatets påtænkte anvendelse fremgår af vejledningen. Brugen af ekstraudstyr eller tilbehør eller udførelse af opgaver med apparatet ud over de i brugervejledningen anbefalede kan medføre risiko for personskade.
- ◆ Opbevar denne vejledning til fremtidig brug.

### Brug af apparatet

Vær altid opmærksom ved brugen af apparatet.

- ◆ Dette apparat må ikke bruges af unge eller svagelige personer uden opsyn.
- ◆ Apparatet må ikke bruges som legetøj.
- ◆ Apparatet må kun bruges på tørre steder. Lad ikke apparatet blive vådt.
- ◆ Apparatet må ikke nedsænkes i væsker.
- ◆ Lampehuset må ikke åbnes. Der er ingen dele inde i lampen, som kan serviceres af brugeren.
- ◆ Brug ikke apparatet i eksplosionstruede omgivelser, f.eks. hvor der er brændbare væsker, gasser eller støv.
- ◆ For at reducere risikoen for beskadigelse af stik og ledninger, må du aldrig trække i ledningen for at tage stikket ud af en stikkontakt.

### Efter brug

- ◆ Når apparatet ikke er i brug, skal det opbevares på et tørt sted med god ventilation, hvor det er utilgængeligt for børn.
- ◆ Børn må ikke have adgang til opbevarede apparater.
- ◆ Når apparatet opbevares eller transporteres i et køretøj, skal det anbringes i bagagerummet eller fastgøres for at forhindre bevægelse som følge af pludselige ændringer i hastighed eller retning.
- ◆ Apparatet skal beskyttes mod direkte sollys, varme og fugt.

### Eftersyn og reparationer

- ◆ Før brug skal apparatet kontrolleres for beskadigede eller defekte dele. Se efter knækkede dele, skader på kontakter og eventuelle andre tilstande, der kan påvirke apparatets drift.
- ◆ Brug ikke apparatet, hvis nogen del af det er beskadiget eller defekt.

- ◆ Sørg for at få beskadigede eller defekte dele repareret eller udskiftet på et autoriseret værksted.
- ◆ Forsøg aldrig at fjerne eller udskifte dele ud over dem, der er beskrevet i denne vejledning.

### Specifikke sikkerhedsinstrukser for lamper

Følgende sikkerhedssymbol er markeret på din lampe:



Rør ikke ved linsen, da den bliver meget varm under brug og bliver ved med at være varm i flere minutter, efter at du har slukket for den.

- ◆ Lad lampen køle helt af, før den opbevares eller oplades.
- ◆ Hold brændbare materialer væk fra lampens linse. Ekstrem varme kan forårsage brand.
- ◆ Anbring aldrig lampen med forsiden nedad på nogen form for overflade, mens den er tændt eller kører af.
- ◆ Lad ikke lampen være uden opsyn. Hold børn og dyr borte fra arbejdsområdet.
- ◆ Undersøg linsen for skader, hvis den har været udsat for slag eller er faldet ned. Brug ikke lampen, hvis linsen ikke er på plads, eller hvis den er beskadiget.
- ◆ Linsen er fremstillet af glas. Linsen kan revne eller knække, hvis den bliver udsat for et slag. Hvis linsen er beskadiget, skal den udskiftes med originaldele fra producenten. Brug handsker; skarpe kanten kan forårsage personskade.
- ◆ Kig aldrig direkte ind i lyset, og lys aldrig en anden person i øjnene.
- ◆ Lampen må ikke nedsænkes i vand.
- ◆ Udskift kun pæren med den type, der er angivet i de tekniske specifikationer.
- ◆ Må kun bruges sammen med Black & Decker's ladeadaptere, der leveres sammen med enheden. Sæt først ladeadapteren i lampen, og derefter i ladekilden.

### Yderligere sikkerhedsvejledninger for batterier og opladere

#### Batterier

- ◆ Forsøg aldrig at åbne uanset årsag.
- ◆ Batteriet må ikke udsættes for fugt.
- ◆ Opbevar ikke på steder, hvor temperaturen kan overstige 40 °C.
- ◆ Fortag kun opladning ved omgivelsestemperaturer mellem 10 °C og 40 °C.
- ◆ Foretag kun opladning ved hjælp af de medleverede ladere.
- ◆ Følg ved bortskaffelse af batterier vejledningen i afsnittet "Miljø".
- ◆ Under ekstreme forhold kan der forekomme batterilækage. Når du bemærker væske på batterierne, skal du omhyggeligt tørre væsken af med en klud. Undgå kontakt med huden.
- ◆ I tilfælde af kontakt med hud eller øjne, skal du følge nedenstående instrukser.

**Advarsel!** Batterivæsken er en fortyndet svovlsyre, der kan forårsage personskade eller materielle skader. I tilfælde af kontakt med huden skylles straks med vand. Hvis der opstår rødme, smerte eller irritation, skal der søges læge. I tilfælde af kontakt med øjnene skylles straks med rent vand, og der søges straks læge.

## Ladere

Laderen er udviklet til en specifik spænding. Kontrollér altid, at netspændingen svarer til spændingen på typeskiltet.

**Advarsel!** Forsøg aldrig at erstatte laderenheden med et almindeligt netstik.

Brug kun din Black & Decker-lader til at oplade batteriet i det værktøj, som den blev leveret sammen med. Andre batterier kan sprænges og forårsage personskade og materielle skader.

- ◆ Prøv aldrig på at oplade ikke-opladelige batterier.
- ◆ Udskift straks defekte ledninger.
- ◆ Laderen må ikke udsættes for fugt.
- ◆ Laderen må ikke åbnes.
- ◆ Åbn/adskil ikke laderen.

Batteriet skal anbringes et sted med god udluftning, når det oplades.

### OVEROPLAD IKKE BATTERIET:

- ◆ AC oplad op til maks. 14 timer.
- ◆ DC oplad op til maks. 14 timer.
- ◆ Efter opladningen skal du afbryde ladeadapteren og vente 5 minutter, før du bruger lampen.

### Laderen er forsynet med følgende advarselssymboler:



Laderens basisenhed er dobbelt isoleret. Derfor er jordledning ikke nødvendig.



Fejlsikker skilletransformer. Netforsyningen er elektrisk adskilt fra transformerudgangen.



Laderen slår automatisk fra, hvis omgivelsestemperaturen bliver for høj. Som følge deraf holder laderen op med at fungere. Laderens basisenhed skal afbrydes fra netforsyningen og indleveres til reparation på et autoriseret værksted.



Laderens basisenhed er kun beregnet til indendørs brug.

### Electricitet og sikkerhed



Denne maskine er dobbelt isoleret. Derfor er jordledning ikke nødvendig. Kontrollér altid, at strømforsyningen svarer til spændingen på typeskiltet.

- ◆ Hvis netledningen beskadiges, skal den udskiftes af producenten eller et autoriseret Black & Decker-værksted, så farlige situationer undgås.

### Funktioner

Dette apparat leveres med nogle af eller alle følgende egenskaber.

1. Udskiftelig kvartshalogenpære
2. Beskyttelsesring af gummi
3. Batteristatus lysdiodeindikator
4. Startknaplås
5. Pistolgreb
6. Bæresnor
7. Laderjackstik
8. DC-strømledning til bilen
9. Net-ladeadapter
10. 3-positions lysstyrkeknop
11. 12 V DC-ladestikkontakt

### Opladning af lampen (fig. A - C)

- ◆ Denne lampe leveres i delvist opladet tilstand. Oplad lampen før første brug ved hjælp af netladeadapteren (9) i 12-14 timer, eller indtil den grønne batteristatus-lysdiode (3) lyser.
- ◆ Efter brug lades, indtil den grønne batteristatus-lysdiode (3) lyser.

Hvis du vil kontrollere batteriets ladetilstand på et vilkårligt tidspunkt, kan du trykke på batteristatus-trykknappen (3).

Lysdiodeindikatorerne viser ladeniveauet.

- ◆ En rød lysdiode indikerer, at enheden bør oplades snart.
- ◆ To røde lysdioder indikerer et højt ladeniveau.
- ◆ Når den grønne lysdiode lyser, viser det, at enheden er fuldt opladet.

### Opladning med netladeren (fig. A - C)

- ◆ Sørg for, at lampen er slukket (startknaplåsen (4) er i stilling slukket, og der trykkes ikke på startknappen (10)).

**Advarsel!** Oplad ikke i mere end 14 timer.

- ◆ Sæt lader-jackstikket (7) i 12 V DC-ladestikkontakten (11).
- ◆ Sæt net-ladeadapteren (9) i en netstikkontakt.
- ◆ Oplad, indtil den grønne batteristatus-lysdiode (3) lyser (cirka 12-14 timer).

### Opladning med bilens DC-strømledning (fig. A - C)

- ◆ Sørg for, at lampen er slukket (startknaplåsen (4) er i stilling slukket, og der trykkes ikke på startknappen (10)).

**Advarsel!** Oplad ikke i mere end 14 timer.

- ◆ Sæt lader-jackstikket (7) i 12 V DC ladestikkontakten (11).
- ◆ Sæt tilbehørsstikket på bilens strømledning (8) i bilens strømudtag eller en anden 12 V DC-strømkilde.
- ◆ Oplad, indtil den grønne batteristatus-lysdiode (3) lyser (cirka 13-14 timer).

Sørg for, at DC-kilden, dvs. jump-starter, batteripakke, bilens tilbehørsudtag, osv. er 12 V DC og kan yde mindst 0,5 ampere ved 12 V DC i otte timer. Det betyder, at et batteri skal være ladet med en kapacitet på mindst 4 amp/time.

**Bemærk:** Når du bruger en bil's 12 V DC-tilbehørsudtag som ladekilde, kan det være nødvendigt at slå bilens tænding til for at levere strøm til tilbehørsudtaget.

## ANVENDELSE

### Betjening af lampen (fig. B)

- ◆ Flyt startknappen (4) ned i position slukket.
- ◆ Tryk på startknappen (10) for at tænde lampen.
- ◆ Tryk på startknappen (10) flere gange med et sekunds interval for at øge lysstyrkeniveauet fra dæmpet til lyst.
- ◆ For at låse startknappen (10) i positionen tændt skal du trykke på startknappen, indtil det ønskede lysstyrkeniveau er nået, og skyd derefter startknappen (4) op i position tændt.
- ◆ Du slukker lampen ved at skyde startknappen (4) ned i position slukket.

### Anvendelse af den indbyggede snor

- ◆ Bæresnoren (6) kan bruges til at hænge eller bære lampen i. Justér løkken på snoren, så snoren sidder sikkert omkring ophængningsgenstanden.

## VEDLIGEHOLDELSE

Dit Black & Decker-værktøj er beregnet til at være i drift gennem en længere periode med minimal vedligeholdelse. Fortsat tilfredsstillende drift afhænger af korrekt behandling af værktøjet samt regelmæssig rengøring.

**Advarsel!** Tag apparatet ud af stikkontakten, før der udføres nogen form for vedligeholdelse eller rengøring.

- ◆ Aftør regelmæssigt apparatet med en fugtig klud. Der må ikke bruges skuremidler eller opløsningsmidler. Apparatet må ikke nedsænkes i væsker.

### Udskiftning af pæren (fig. D & E)

Til udskiftning af pæren (1) skal du bruge en lille stjerneskruetrækker og en reservepære iht. de tekniske specifikationer.

**Advarsel!** Rør ikke ved glassdelen af pæren. Pærens levetid kan blive afkortet ved at isætte den med snavs eller fingeraftryk på.

Pæren (1) kan tørres af med en klud fugtet i et rengøringsmiddel på alkoholbasis.

- ◆ Afbryd forbindelsen mellem lampen og eventuelle ladeadaptere.
- ◆ Løft og skub gummibeskyttelsesringen (2) frem mod lampens forende, så to små stjerneskrue (12) kommer til syne i låseringen (13).
- ◆ Fjern de to skrue (12), og gem dem.
- ◆ Løft låseringen (13), glaslinsen (12) og gummi- "O"-ringen (15) af, og læg dem til side.

- ◆ Fjern forsigtigt reflektoren (16) og pæremodulet.
- ◆ Adskil pæreledningen (17) fra strømledningen.
- ◆ Frigør låseclipsen (18) fra reflektorens flange (fig E).
- ◆ Fjern skruen (19), og frigør ledningen.
- ◆ Fjern pæren (1), og frigør ledningen.
- ◆ Sæt reservepæren (1) i flangen på reflektoren (16).
- ◆ Montér låseclipsen (18) i flangen på reflektoren (16).
- ◆ Montér ledningen med skruen (19).
- ◆ Forbind pæreledningen (17) til strømledningen.
- ◆ Placer reflektoren (16) i position i lampehuset.
- ◆ Montér gummi "O"-ringen (15) i fordybningen langs reflektorens omkreds (16).
- ◆ Montér glaslinsen (12) og låseringen (13), så skruehulleme er ud for hinanden.
- ◆ Skru låseringen (13) fast ned de to skrue (12).
- ◆ Montér gummibeskyttelsesringen (2).

### Udskiftning af sikringen i bilens DC-strømledning

- ◆ Tag guldhætten af ved at dreje den mod uret.
- ◆ Fjern gummiskiven, midterstiften og fjederen.
- ◆ Fjern sikringen.
- ◆ Isæt en ny sikring af samme type og størrelse (0.5 A).
- ◆ Montér midterstiften, fjederen og gummiskiven.
- ◆ Montér guldhætten af ved at dreje den med uret på stikket.

## Miljø



Når dit apparat er udtjent, eller du ikke længere har brug for det, beskyt da naturen ved ikke at smide det ud sammen med det almindelige affald. Black & Decker-værksteder modtager gammelt Black & Decker-værktøj og sørger for, at det bortskaftes på en miljørigtig måde.



Ved adskilt bortskaffelse af brugte produkter og emballage bliver der mulighed for at genanvende forskellige stoffer. Genanvendelse af stoffer medvirker til at forebygge miljøforurening og mindsker behovet for råstoffer.

Lokal lovgivning kan kræve separat indsamling af elprodukter fra husholdningen, ved kommunale affaldsdepoter eller af den detailhandlende ved køb af et nyt produkt.

Black & Decker sørger for at indsamle og genanvende Black & Decker-produkter, når disse ikke længere kan bruges. Hvis du vil benytte dig af denne service, skal du returnere produktet til et autoriseret værksted, der indsamler produkterne for os.

Kontakt det lokale Black & Decker-kontor på den adresse, som er opgivet i denne vejledning, for at få oplysninger om det nærmeste autoriserede værksted. En liste over alle autoriserede Black & Decker-serviceværksteder samt servicevilkår og kontaktpersoner er tilgængelig på internettet på adressen: **www.2helpU.com**.



Black & Decker-batterier kan genoplades mange gange. Når batterier er udtjente, skal de bortskaffes under passende hensyntagen til miljøet.

- ◆ Batteriet må ikke kastes i ilden, da dette kan fremkalde en eksplosion.
- ◆ Bly- (Pb) batterier kan genbruges. De må ikke bortskaffes sammen med almindeligt husholdningsaffald. Hvis du ikke har adgang til en produktgenanvendelsesordning, skal batteriet fjernes som beskrevet nedenfor og bortskaffes i overensstemmelse med gældende lovgivning.
- ◆ Batteripolerne må ikke kortsluttes.
- ◆ Vær opmærksom på, at batteriet er tungt.
- ◆ Aktivér om muligt apparatet for at køre batteriet helt tomt.

På eksplosionstegningen på bagsiden af denne vejledning kan du finde hjælp til udtagning af batterierne.

Anbring batteriet i en egnet emballage for at sikre, at polerne ikke kan kortsluttes.

Tag batteriet med til et serviceværksted eller et lokalt opsamlingssted. Indsamlede batterier skal genanvendes eller bortskaffes korrekt.

## Tekniske data

	BDV156	
Indgangsspænding	Vdc	12
Indgangsstrøm	mA	300 maks.
Vægt	kg	1,3
Batteri	Type	6V 3Ah SLA
Pære	Type	H3
<b>Lader</b>		
Indgang	VAC	230
Ladetid ca.	t	14
Vægt	kg	0,2

## EU overensstemmelseserklæring

BDV156

Black & Decker erklærer, at disse produkter er i overensstemmelse med følgende:

Standarder & lovgivning.

73/23/EEC, 89/336/EEC, 95/54/EC, EN60335, EN61000, EN60598, EN61347, EN55014

Kevin Hewitt  
 Director of Consumer Engineering  
 Spennymoor, County Durham  
 DL16 6JG,  
 Storbritannien  
 31-08-2006

## Garanti

Black & Decker garanterer, at produktet er frit for materielle skader og/eller fabrikationsfejl ved levering til kunden. Garantien er et tillæg til forbrugers lovsikrede rettigheder og påvirker ikke disse. Garantien gælder inden for medlemsstaterne af den Europæiske Union og i det Europæiske Frihandelsområde.

Hvis et Black & Decker-produkt går i stykker på grund af materiel skade og/eller fabrikationsfejl eller på anden måde ikke fungerer i overensstemmelse med specifikationen inden for 24 måneder fra købsdatoen, påtager Black & Decker sig at reparere eller ombytte produktet med mindst mulig ulempe for kunden. Garantien gælder ikke for fejl og mangler, der er sket i forbindelse med:

- ◆ normal slitage
- ◆ uheldige følger efter unormal anvendelse af værktøjet
- ◆ overbelastning, hærværk eller overdrevent intensiv brug af værktøjet eller ulykkeshændelse
- ◆ Garantien gælder ikke, hvis reparationer er udført af nogen anden end et autoriseret Black & Decker-værksted.

For at udnytte garantien skal produktet og købskvitteringen indleveres til forhandleren eller til et autoriseret værksted. Kontakt det lokale Black & Decker-kontor på den adresse, som er opgivet i denne vejledning, for at få oplysninger om det nærmeste autoriserede værksted. En liste over alle autoriserede Black & Decker-serviceværksteder samt servicevilkår er tilgængelig på internettet på adressen:

[www.2helpU.com](http://www.2helpU.com)

Gå venligst ind på vores websted

[www.blackanddecker.dk](http://www.blackanddecker.dk) for at registrere dit nye produkt og for at blive holdt ajour om nye produkter og specialtilbud. Der findes yderligere oplysninger om mærket Black & Decker og vores produktsortiment på adressen [www.blackanddecker.dk](http://www.blackanddecker.dk).



## Käyttötarkoitus

Black & Decker Spotlight soveltuu valaisimeksi työskentelyyn, askarteluun ja vapaa-ajan harrastuksiin. Valaisin on tarkoitettu vain kotikäyttöön.

## Turvallisuusohjeet

**Varoitus!** Tulipalon, akkuvuodon sekä henkilö- ja materiaalivahinkojen ehkäisemiseksi akkukäyttöisiä laitteita käytettäessä on aina noudatettava perusturvallisuusohjeita, mukaan lukien seuraavat ohjeet.

- ◆ Lue nämä ohjeet huolellisesti ennen laitteen käyttöä.
- ◆ Käyttötarkoitus kuvataan ohjeissa. Muiden kuin ohjeissa suositeltujen lisävarusteiden tai -osien käyttö sekä laitteen käyttö muuhun kuin oppaassa suositeltuun tarkoitukseen voi aiheuttaa henkilövahingon vaaran.
- ◆ Säilytä ohjeet tulevaa tarvetta varten.

### Laitteen käyttö

Ole aina huolellinen käyttäessäsi laitetta.

- ◆ Tätä laitetta ei ole tarkoitettu nuorten tai lihasvoimaltaan heikkojen henkilöiden käyttöön ilman valvontaa.
- ◆ Laitetta ei tule käyttää leluna.
- ◆ Soveltuu vain kuivaan käyttöympäristöön. Älä anna valaisimen kastua.
- ◆ Älä upota laitetta veteen.
- ◆ Älä avaa valaisimen koteloa. Sen sisällä ei ole käyttäjän huollettavissa olevia osia.
- ◆ Älä käytä valaisinta räjähdysalttiissa ympäristössä, jossa on palavaa nestettä, kaasua tai pölyä.
- ◆ Älä koskaan irrota johtoa pistorasiasta johdosta vetäen. Pistoke tai johto voi vahingoittua.

### Käytön jälkeen

- ◆ Kun valaisinta ei käytetä, säilytä sitä kuivassa, ilmavassa paikassa poissa lasten ulottuvilta.
- ◆ Pidä laite lasten ulottumattomissa.
- ◆ Kun valaisinta säilytetään tai kuljetetaan ajoneuvossa, sijoita se tavaratilaan tai kiinnitä se kunnolla, ettei se matkan aikana pääse liikkumaan.
- ◆ Suojaa valaisin suoralta auringonvalolta, kuumuudelta ja kosteudelta.

### Tarkastus ja korjaus

- ◆ Tarkista ennen laitteen käyttöä, ettei laitteessa ole vahingoittuneita tai viallisia osia. Tarkista osien ja kytkimien kunto sekä muut seikat, jotka voivat vaikuttaa laitteen toimintaan.
- ◆ Älä käytä laitetta, jos jokin osa on vahingoittunut tai viallinen.

- ◆ Korjauta tai vaihdata vaurioituneet tai vialliset osat valtuutetussa huoltoliikkeessä.
- ◆ Älä koskaan yritä korjata tai vaihtaa muita kuin ohjeissa erikseen määriteltyjä osia.

### Valaisimen turvaohjeet

Valaisimessa on seuraava turvamerkintä:



Älä kosketa linssiä, sillä se kuumenee käytön aikana ja säilyy kuumaan useita minuutteja virran katkaisun jälkeen.

- ◆ Anna valaisimen jäähtyä kunnolla ennen kuin asetat sen säilytyspaikkaansa tai aloitat lataamisen.
- ◆ Älä anna linssin koskettaa tulenarkoja materiaaleja. Kova kuumuus voi sytyttää tulipalon.
- ◆ Älä aseta valaisinta linssi alaspäin silloin, kun virta on kytketty tai kun valaisin on vielä kuuma.
- ◆ Älä jätä valaisinta ilman valvontaa. Älä päästä lapsia tai eläimiä työpisteeseesi.
- ◆ Tarkista linssi, jos valaisin putoaa tai sitä kolhaistaan. Älä käytä valaisinta, jos linssi on rikki tai se puuttuu kokonaan.
- ◆ Linssi on valmistettu lasista. Isku voi rikkoa linssin. Vaihda rikkoutuneen linssin tilalle valmistajan alkuperäinen varaosa. Käytä käsinettä, sillä rikkoutunut lasi leikkaa helposti haavan.
- ◆ Älä katso suoraan valaisimen valoon tai suuntaa valoa toisten silmiä kohti.
- ◆ Älä upota valaisinta veteen.
- ◆ Käytä valaisimessa vain teknisissä tiedoissa ilmoitettua polttimotyyppejä.
- ◆ Käytä vain valaisimen mukana toimitettua Black & Deckerin laturia. Kytke laturi ensin valaisimeen ja vasta sen jälkeen virtalähteeseen.

### Akkuja ja laturia koskevat turvaohjeet

#### Paristot

- ◆ Älä koskaan yritä avata paristoja.
- ◆ Älä anna akun kastua.
- ◆ Älä säilytä paristoja tiloissa, joissa lämpötila voi nousta yli 40 °C:seen.
- ◆ Lataa akku paikassa, jonka lämpötila on vähintään +10 °C ja enintään +40 °C.
- ◆ Käytä vain valaisimen mukana toimitettua laturia.
- ◆ Noudata paristoja hävittäessäsi kohdassa "Ympäristönsuojelu" annettuja ohjeita.
- ◆ Vaativissa oloissa voi ilmetä akkuvuotoja. Jos havaitset akkujen pinnalla nestettä, pyyhi se huolellisesti pois. Vältä ihokosketusta.
- ◆ Jos nestettä joutuu silmiin tai iholle, noudata alla olevia ohjeita.

**Varoitus!** Akuneste on laimennettua rikkihappoa, joka voi aiheuttaa aineellisia tai henkilövahinkoja. Jos nestettä joutuu iholle, se on välittömästi huuhdeltava pois vedellä. Jos ihoa kirvelee tai se punottaa tai on muuten ärtynyt, kysy lisäohjeita lääkäriltä. Jos nestettä joutuu silmiin, huuhdo välittömästi puhtaalla vedellä ja mene mahdollisimman pian lääkäriin.

### Laturi

Laturi on tarkoitettu tietyille jännitteelle. Tarkista, että verkkojännite vastaa laitekilvessä ilmoitettua jännitettä.

**Varoitus!** Älä koskaan yritä liittää valaisinta suoraan verkkovirtaan käyttämättä laturia.

Käytä Black & Deckerin laturia vain valaisimen mukana toimitetun akun lataamiseen. Muut akut voivat räjähtää ja aiheuttaa aineellisia tai henkilövahinkoja.

- ◆ Älä koskaan yritä ladata paristoja, joita ei ole tarkoitettu ladattavaksi.
- ◆ Vaihda vialliset johdot välittömästi ehjiin.
- ◆ Älä anna laturin kastua.
- ◆ Älä avaa laturia.
- ◆ Älä työnnä mitään laturin sisään.

Lataa akku paikassa, jossa on kunnollinen ilmanvaihto.

### ÄLÄ YLILATAA.

- ◆ Latausaika vaihtovirralla on enintään 14 tuntia.
- ◆ Latausaika tasavirralla on enintään 14 tuntia.
- ◆ Irrota laturi latauksen päätyttyä ja odota 5 minuuttia ennen laitteen käyttöä.

### Laturissa on seuraavat merkinnät:



Laturi on kaksoiseristetty; joten erillistä maadoitusta ei tarvita.



Toimintavarma eristävä muuntaja. Muuntajalähtö on eristetty sähköisesti sähköverkosta.



Laturi kytkeytyy automaattisesti pois päältä, jos ympäröivä lämpötila nousee liian korkeaksi. Tällöin laturia ei voi enää käyttää. Irrota laturi sähköverkosta ja toimita se valtuutettuun huoltoliikkeeseen korjattavaksi.



Laturi on tarkoitettu ainoastaan sisäkäyttöön.

### Sähköturvallisuus



Tämä laite on kaksoiseristetty; siksi erillistä maadoitusta ei tarvita. Tarkista aina, että virtalähde vastaa arvokilvessä ilmoitettua jännitettä.

- ◆ Jos virtajohto vahingoittuu, sen vaihtaminen tulee turvallisuussyistä jättää valmistajan tai valtuutetun Black & Decker -huollon tehtäväksi.

### Yleiskuvaus

Tässä valaisimessa on kaikki seuraavat ominaisuudet tai joitakin niistä:

1. Vaihdeettava kvartsihalogeenipolttimo
2. Kuminen suojaengas
3. Akun tilaa osoittava merkkivalo
4. Kytkinlukko
5. Pistoolikahva
6. Kantolentki
7. Laturin pistoke
8. Autolatausjohto
9. Verkkovirtalaturi
10. 3-asentoinen kirkauskytin
11. 12 V tasavirtalatauksen liitäntä

### Valaisimen lataaminen (kuvat A - C)

- ◆ Ostettaessa valaisimen akku on osittain ladattu. Lataa valaisin ennen käyttöönottoa verkkovirtalaturilla (9) noin 12-14 tuntia tai kunnes akun tilaa osoittava vihreä merkkivalo (3) syttyy.
- ◆ Lataa akku jokaisen käyttökerran jälkeen niin kauan, kunnes vihreä merkkivalo (3) syttyy.

Voit milloin tahansa tarkistaa akun varaustilanteen painamalla akun tilan ilmoittavaa painiketta (3).

Merkkivalot osoittavat varaustilan.

- ◆ Jos yksi punainen merkkivalo palaa, akku on ladattava pian.
- ◆ Kaksi punaista merkkivaloa tarkoittaa, että varaus on hyvä.
- ◆ Jos merkkivalot ovat vihreitä, akussa on täysi varaus.

### Lataaminen verkkovirtalaturilla (kuvat A - C)

- ◆ Varmista, että valaisimen virta on katkaistu (kytkinlukko (4) on katkaistu-asennossa ja kytkintä (10) ei paineta).

**Varoitus!** Älä lataa akku yli 14 tuntia.

- ◆ Liitä laturin pistoke (7) 12 voltin latausliitäntään (11).
- ◆ Työnnä laturin (9) pistoke verkkovirran pistorasiaan.
- ◆ Anna akun latautua, kunnes akun tilaa osoittava vihreä merkkivalo (3) syttyy (noin 12-14 tuntia).

### Lataaminen autolatausjohtoa käyttäen (kuvat A - C)

- ◆ Varmista, että valaisimen virta on katkaistu (kytkinlukko (4) on katkaistu-asennossa ja kytkintä (10) ei paineta).

**Varoitus!** Älä lataa akku yli 14 tuntia.

- ◆ Työnnä laturin pistoke (7) 12 V latausliitäntään (11).
- ◆ Työnnä autolatausjohdon pistoke (8) auton tai muun laitteen 12 V liitäntään.
- ◆ Anna akun latautua, kunnes akun tilaa osoittava vihreä merkkivalo (3) syttyy (vii noin 13-14 tuntia).

Varmista, että tasavirtalähteen (akun, auton latausliitäntään tms.) jännite on 12 V ja että se pystyy syöttämään vähintään 0,5 ampeerin 12 V tasavirtaa kahdeksan tuntia. Tällöin akun latauskapasiteetti on vähintään 4 ampeeria tunnissa.

**Huomautus:** Kun akkua ladataan auton savukkeensytytinkiitännästä, virta täytyy mahdollisesti kytkä ensin virta-avaimella.

## KÄYTTÖ

### Valaisimen käyttäminen (kuva B)

- ◆ Siirrä kytkinlukko (4) virta katkaistu -asentoon.
- ◆ Kytke valaisimeen virta painamalla kytkintä (10).
- ◆ Lisää valaisimen tehoa himmeästä kirkkaaseen painamalla kytkintä (10) toistuvasti uudelleen sekunnin välein.
- ◆ Kun haluttu valaisuteho on saavutettu, voit lukita kytkimen kääntämällä kytkinlukko (4) virta kytketty -asentoon.
- ◆ Sammuttaessa valaisin kytkinlukko (4) on käännettävä virta katkaistu -asentoon.

### Valaisimen kiinteä kantolenkki

- ◆ Kantolenkistä (6) valaisinta voi kantaa mukana tai sen voi ripustaa säilytyspaikkaansa. Liukusäätimellä kantolenkin voi kiristää ranteeseen tai ripustuspaikkaan.

## HUOLTO

Black & Decker -työkalu on suunniteltu toimimaan mahdollisimman pitkän aikaa mahdollisimman vähällä huollolla. Oikealla huollolla ja säännöllisellä puhdistuksella kone säilyttää suorituskykynsä.

**Varoitus!** Ennen huoltoa ja puhdistusta laitteen tulee olla pois päältä ja irti virtalähteestä.

- ◆ Pyyhi laite säännöllisesti kostealla rätillä. Älä koskaan käytä puhdistamiseen liuotainaineita tai syövyttäviä puhdistusaineita. Älä upota laitetta veteen.

### Polttimon vaihtaminen (kuvat D ja E)

Polttimon (1) vaihdossa tarvitaan pieni ristipäinen ruuviavain ja vaihtopolttimo, joka vastaa teknisissä tiedoissa esitetyjä arvoja.

**Varoitus!** Älä kosketa polttimon lasiosaa. Lika tai sormenjäljet voivat lyhentää polttimon käyttöikää.

- ◆ Polttimon (1) voi puhdistaa alkoholipohjaiseen puhdistusaineeseen kostutetulla rievulla.
- ◆ Irrota valaisimeen mahdollisesti kytketty laturi.
- ◆ Työnnä kumista suojaarengasta (2) eteenpäin samalla kohottaen. Näin pääset käsiksi kahteen ristipääruuviin (12) kiinnitysrenkaassa (13).
- ◆ Avaa kaksi kiinnitysruuvia (12).
- ◆ Irrota kiinnitysrenkas (13) ja sen jälkeen linssi (12) ja kuminen O-renkas (15).
- ◆ Irrota varovasti heijastinkupu (16) ja siihen kiinnitetty polttimo.
- ◆ Irrota polttimon johto (17) virtajohdosta.
- ◆ Irrota pidike (18) heijastinkuvun laipasta (kuva E).
- ◆ Avaa ruuvi (19) ja irrota johto.
- ◆ Irrota polttimo (1) sekä johto.

- ◆ Kiinnitä vaihtopolttimo (1) heijastinkuvun (16) laippaan.
- ◆ Kiinnitä pidike (18) heijastinkuvun (16) laippaan.
- ◆ Kiinnitä johto paikalleen ruuvilla (19).
- ◆ Liitä polttimon johto (17) virtajohdotoon.
- ◆ Aseta heijastinkupu (16) paikalleen valaisimen runkoon.
- ◆ Aseta kuminen O-renkas (15) heijastimen (16) ulkokehän uraan.
- ◆ Aseta linssi (12) paikalleen ja sen jälkeen kiinnitysrenkas (13) siten, että ruuvireiät ovat kohdakkain.
- ◆ Lukitse kiinnitysrenkas (13) paikalleen kahdella ruuvilla (12).
- ◆ Kiinnitä kuminen suojaarengas (2) paikalleen.

### Autolatausjohdon sulakkeen vaihtaminen

- ◆ Avaa kullanvärinen nuppi kiertämällä sitä vastapäivään.
- ◆ Poista kumirenkas, keskitappi ja jousi.
- ◆ Irrota sulake.
- ◆ Vaihda tilalle saman tyyppinen ja kokoinen (0,5 A) sulake.
- ◆ Asenna keskitappi, jousi ja kumirenkas paikalleen.
- ◆ Kierrä kullanvärinen nuppi paikalleen kiertämällä myötäpäivään.

## Ympäristö



Kun laitteesi aikanaan täytyy vaihtaa tai ei kelpaa enää käyttöön, ota huomioon ympäristötökijät. Black & Deckerin valtuutetut huoltoliikkeet ottavat vastaan Black & Decker -työkaluja ja varmistavat, että ne hävitetään ympäristöstävällisesti.



Käytettyjen tuotteiden ja pakkausmateriaalien erilliskeruun avulla materiaalit voidaan kierrättää ja käyttää uudelleen. Kierrätysmateriaalien käyttö auttaa vähentämään ympäristön saastumista ja uusien raaka-aineiden tarvetta.

Paikallisissa säädöksissä voidaan määrätä, että kodin sähkötuotteiden keruu tapahtuu kaupunkien jätteidenkäsittelyasemilla tai laitteita myyvissä liikkeissä uuden tuotteen oston yhteydessä.

Kun koneesi on käytetty loppuun, älä heitä sitä tavallisten roskien mukana pois, vaan vie se paikkakuntasi kierrätyskeskukseen tai jätä valtuutettuun Black & Deckerin huoltoliikkeeseen.

Tiedot valtuutetuista huoltoliikkeistä saa ottamalla yhteyttä Black & Decker Oy:hyn sekä Internetistä osoitteesta

**www.2helpU.com.**



Black & Deckerin akkuja voi ladata yhä uudelleen ja uudelleen. Hävitä loppuun kuluneet akut ympäristöstävällisesti.

- ◆ Älä yritä polttaa akkua, sillä se voi räjähtää.
- ◆ Lyijyhappoakut (Pb) ovat kierrätyskelpoisia. Älä hävitä niitä talousjätteen mukana. Jos sinulla ei ole mahdollisuutta huolehtia akun kierrätyksestä, hävitä se alla kuvatulla tavalla voimassa olevien ohjeiden mukaisesti.

- ◆ Käsittele akkua niin, että navat eivät aiheuta oikosulkua.
- ◆ Muista, että akku on painava.
- ◆ Jos vain mahdollista, käytä valaisinta niin kauan, että akku tyhjenee.

Tämän oppaan takakannessa on akun poistoa helpottava kaaviokuva.

Pakkaa akku niin, että navat eivät aiheuta oikosulkua.

Toimita akku paikalliseen huoltoliikkeeseen tai kierrätyspisteeseen. Oikeaan paikkaan toimitetut akut kierrätetään tai hävitetään asianmukaisesti.

### Tekniset tiedot

		BDV156
Syöttöjännite	Vdc	12
Syöttövirta	mA	300 max.
Paino	kg	1.3
Akku	Tyyppi	6V 3Ah SLA
Polttimo	Tyyppi	H3
<b>Laturi</b>		
Syöttö	Vac	230
Arvioitu latausaika	h	14
Paino	kg	0.2

### EU:n yhdenmukaisuusilmoitus

BDV156

Black & Decker vakuuttaa näiden tuotteiden olevan seuraavien standardien vaatimusten mukaiset:

Standardit ja määräykset

73/23/ETY, 89/336/ETY, 95/54/EY, EN60335, EN61000, EN60598, EN61347, EN55014



Kevin Hewitt  
 Director of Consumer Engineering  
 Spennymoor, County Durham  
 DL16 6JG,  
 Iso-Britannia  
 31-08-2006

### Takuu

Black & Decker Oy takaa, ettei koneessa ollut materiaali- ja/tai valmistusvikaa silloin, kun se toimitettiin ostajalle. Takuu on lisäys kuluttajan laillisiin oikeuksiin eikä vaikuta niihin. Takuu on voimassa Euroopan unionin jäsenmaissa ja Euroopan vapaakauppa-alueella (EFTA).

Mikäli Black & Decker -kone hajoaa materiaali- ja/tai valmistusvirheen tai teknisten tietojen epätarkkuuden vuoksi 24 kk:n kuluessa ostopäivästä, Black & Decker korjaa koneen ilman kustannuksia ostajalle tai vaihtaa sen mukaan Black & Decker Oy:n valinnan mukaan. Takuu ei kata vikoja, jotka johtuvat koneen

- ◆ normaalista kulumisesta
- ◆ ylikuormituksesta, virheellisestä käytöstä tai hoidosta
- ◆ vahingoittamisesta vieraalla esineellä tai aineella tai onnettomuustapauksessa.
- ◆ Takuu ei ole voimassa, mikäli konetta on korjannut joku muu kuin Black & Deckerin valtuuttama huoltoliike.

Edellytyksenä takuun saamiselle on, että ostaja jättää koneen ja ostokuitin jälleenmyyjälle tai valtuutetulle huoltoliikkeelle viimeistään 2 kuukauden kuluessa vain ilmenemisestä. Tiedot valtuutetuista huoltoliikkeistä saa ottamalla yhteyttä Black & Decker Oy:hyn sekä Internetistä osoitteesta

[www.2helpU.com](http://www.2helpU.com), jossa on myös takuehdot.

Rekisteröi uusi Black & Decker -tuotteesi ja katso uusien tuotteiden ja erikoistarjousten tiedot verkkosivuiltamme osoitteesta [www.blackanddecker.fi](http://www.blackanddecker.fi). Katso Black & Decker -tavaramerkin ja tuotevalikoimamme lisätiedot osoitteesta [www.blackanddecker.fi](http://www.blackanddecker.fi).

## Ενδεδειγμένη χρήση

Ο προβολέας Black & Decker έχει σχεδιαστεί για να παρέχει φωτισμό για εργασίες που κάνετε και για ασχολίες ελεύθερου χρόνου. Αυτό το προϊόν προορίζεται για ερασιτεχνική χρήση μόνο.

## Οδηγίες ασφαλείας

**Προειδοποίηση!** Κατά τη χρήση συσκευών που τροφοδοτούνται με μπαταρία, θα πρέπει να λαμβάνονται οι βασικές προφυλάξεις ασφαλείας, συμπεριλαμβανομένων των παρακάτω, για τον περιορισμό του κινδύνου πυρκαγιάς, διαρροής υγρών μπαταρίας, τραυματισμού προσώπων και υλικών ζημιών.

- ♦ Πριν χρησιμοποιήσετε τη συσκευή διαβάστε προσεκτικά ολόκληρο το εγχειρίδιο.
- ♦ Η ενδεδειγμένη χρήση περιγράφεται σε αυτό το εγχειρίδιο. Τόσο η χρήση εξαρτημάτων ή προσθηκών όσο και η πραγματοποίηση εργασιών με τη συσκευή που δεν συνιστώνται σε αυτό το εγχειρίδιο οδηγούν εγκυμονεί κίνδυνο τραυματισμού.
- ♦ Φυλάξτε αυτό το εγχειρίδιο για μελλοντική αναφορά.

## Χρησιμοποίηση της συσκευής

Προσέχετε πάντα όταν χρησιμοποιείτε τη συσκευή.

- ♦ Αυτή η συσκευή δεν προορίζεται για χρήση από νεαρά ή αδύναμα άτομα χωρίς επίβλεψη.
- ♦ Η συσκευή δεν πρέπει να χρησιμοποιείται σαν παιχνίδι.
- ♦ Να χρησιμοποιείται σε χώρους χωρίς υγρασία. Φροντίστε να μην βραχεί η μονάδα.
- ♦ Μην βουτάτε τη συσκευή μέσα σε νερό.
- ♦ Μην ανοίγετε το περίβλημα του σώματος της συσκευής. Τα εξαρτήματα στο εσωτερικό δεν επιδέχονται επισκευής από το χρήστη.
- ♦ Μη χρησιμοποιείτε τη συσκευή σε περιβάλλον όπου υπάρχει κίνδυνος έκρηξης, π.χ. παρουσία εύφλεκτων υγρών, αερίων ή σκόνης.
- ♦ Για να βγάλετε το φως από την πρίζα, μην τραβήξετε από το καλώδιο αλλά από το ίδιο το φως. Έτσι θα αποφύγετε τον κίνδυνο φθοράς του φως και του καλωδίου.

## Μετά τη χρήση

- ♦ Όταν δεν χρησιμοποιείται, η συσκευή πρέπει να φυλάσσεται σε στεγνό μέρος, με καλό αερισμό και μακριά από παιδιά.
- ♦ Τα παιδιά δεν πρέπει να έχουν πρόσβαση σε αποθηκευμένες συσκευές.

- ♦ Όταν η συσκευή φυλάσσεται ή μεταφέρεται με ένα όχημα, πρέπει να τοποθετείται στον χώρο αποσκευών ή να στερεώνεται ώστε να μην μετακινείται σε περίπτωση απότομων μεταβολών της ταχύτητας ή της κατεύθυνσης του οχήματος.
- ♦ Η συσκευή πρέπει να προφυλάσσεται από την ηλιακή ακτινοβολία, τη ζέση και την υγρασία.

## Επιθεώρηση και επισκευές

- ♦ Πριν από τη χρήση, ελέγξτε τη συσκευή σας για τυχόν κατεστραμμένα ή ελαττωματικά τμήματα. Ελέγξτε αν υπάρχουν σπασμένα εξαρτήματα, ζημιά στους διακόπτες και οποιεσδήποτε άλλες συνθήκες που θα μπορούσαν να επηρεάσουν τη λειτουργία της.
- ♦ Μη χρησιμοποιείτε τη συσκευή, αν κάποιο εξάρτημά της παρουσιάζει ζημιά ή ελάττωμα.
- ♦ Φροντίστε να γίνει η επισκευή ή η αντικατάσταση των τυχόν ελαττωματικών εξαρτημάτων από εξουσιοδοτημένο κέντρο επισκευών.
- ♦ Ποτέ μην επιχειρείτε να αφαιρέσετε ή να αντικαταστήσετε εξαρτήματα, άλλα από αυτά που προσδιορίζονται σε αυτό το εγχειρίδιο.

## Ειδικές οδηγίες ασφαλείας για προβολείς

Ο προβολέας φέρει το παρακάτω σύμβολο ασφαλείας:



Μην αγγίζετε το φακό, επειδή αναπτύσσει υψηλή θερμοκρασία κατά τη λειτουργία και παραμένει ζεστός για μερικά λεπτά αφού σβήσετε τον προβολέα.

- ♦ Αφήστε τον προβολέα να κρυώσει πριν τον αποθηκεύσετε ή τον φορτίσετε.
- ♦ Μην φέρνετε σε επαφή καύσιμα υλικά με το φακό του προβολέα. Η υψηλή θερμοκρασία μπορεί να προκαλέσει πυρκαγιά.
- ♦ Μην τοποθετείτε ποτέ τον προβολέα με την πρόσοψη προς τα κάτω, σε οποιαδήποτε επιφάνεια, ενώ λειτουργεί ή όταν δεν έχει κρυώσει ακόμα.
- ♦ Μην αφήνετε τον προβολέα σε μέρη όπου δεν μπορεί να τον επιβλέψετε. Κρατήστε τα παιδιά και τα ζώα μακριά από το χώρο εργασίας.
- ♦ Σε περίπτωση κρούσης ή πτώσης του προβολέα, επιθεωρήστε τον φακό για τυχόν βλάβη. Μην χρησιμοποιείτε τη συσκευή χωρίς το φακό ή εάν υπάρχει βλάβη στο φακό.

- ◆ Ο φακός κατασκευάζεται από γυαλί. Στην περίπτωση κρούσης, ο φακός μπορεί να ραγίσει ή να σπάσει. Στην περίπτωση βλάβης του φακού, πρέπει να αντικατασταθεί με το γνήσιο ανταλλακτικό του κατασκευαστή. Φορέστε γάντια για να αποφύγετε τραυματισμούς από τα αιχμηρά άκρα.
- ◆ Μην κοιτάτε ποτέ απευθείας το φως και μην το κατευθύνετε στα μάτια τρίτων προσώπων.
- ◆ Μην βουτάτε τον προβολέα μέσα σε νερό.
- ◆ Για την αντικατάσταση της λυχνίας, πρέπει να χρησιμοποιηθεί ο συγκεκριμένος τύπος που αναγράφεται στα τεχνικά χαρακτηριστικά.
- ◆ Να χρησιμοποιείτε αποκλειστικά και μόνο τους μετασχηματιστές φόρτισης Black & Decker που παρέχονται μαζί με τη μονάδα. Συνδέστε το φορτιστή πρώτα στον προβολέα και, έπειτα, στην πηγή της ενέργειας φόρτισης.

### Συμπληρωματικές οδηγίες ασφαλείας για τις μπαταρίες και τους φορτιστές

#### Μπαταρίες

- ◆ Μην επιχειρήσετε ποτέ να ανοίξετε τις μπαταρίες για οποιοδήποτε λόγο.
- ◆ Μην εκθέτετε την μπαταρία σε νερό.
- ◆ Μην φυλάσσετε τις μπαταρίες σε μέρη όπου η θερμοκρασία μπορεί να υπερβεί τους 40 °C.
- ◆ Η φόρτιση πρέπει να γίνεται μόνο σε θερμοκρασίες περιβάλλοντος μεταξύ 10 °C και 40 °C.
- ◆ Η φόρτιση πρέπει να γίνεται μόνο με τους φορτιστές που παρέχονται μαζί με το εργαλείο.
- ◆ Όταν απορρίψετε τις μπαταρίες, ακολουθήστε τις οδηγίες που δίνονται στην ενότητα «Προστασία του περιβάλλοντος».
- ◆ Κάτω από ακραίες συνθήκες, μπορεί να επέλθει διαρροή υγρών μπαταρίας. Αν παρατηρήσετε υγρό πάνω στις μπαταρίες, σκουπίστε το προσεκτικά με ένα πανί. Αποφύγετε την επαφή με το δέρμα.
- ◆ Στην περίπτωση επαφής με το δέρμα ή τα μάτια, ακολουθήστε τις παρακάτω οδηγίες.

**Προειδοποίηση!** Το υγρό της μπαταρίας είναι αραιωμένο θειικό οξύ και μπορεί να προκαλέσει τραυματισμό ή υλικές ζημιές. Στην περίπτωση επαφής με το δέρμα, ξεπλύντε αμέσως με άφθονο νερό. Αν παρουσιαστεί κοκκίνισμα του δέρματος, πόνος ή ερεθισμός, ζητήστε ιατρική βοήθεια. Στην περίπτωση επαφής με τα μάτια, ξεπλύντε αμέσως με άφθονο καθαρό νερό και ζητήστε άμεση ιατρική βοήθεια.

#### Φορτιστές

Ο φορτιστής σας είναι σχεδιασμένος για μια συγκεκριμένη ηλεκτρική τάση. Ελέγχετε πάντα αν η τάση τροφοδοσίας αντιστοιχεί σε αυτήν που αναγράφεται στην πινακίδα χαρακτηριστικών.

**Προειδοποίηση!** Ποτέ μην επιχειρείτε να αντικαταστήσετε τη μονάδα φορτιστή με έναν κανονικό ρευματολήπτη.

Ο φορτιστής Black & Decker πρέπει να χρησιμοποιείται αποκλειστικά και μόνο για τη φόρτιση της μπαταρίας του εργαλείου το οποίο συνόδευε. Αν χρησιμοποιηθεί για άλλες μπαταρίες, αυτές μπορεί να εκραγούν, προκαλώντας τραυματισμό και ζημιές.

- ◆ Μην επιχειρήσετε ποτέ να φορτίσετε μη επαναφορτιζόμενες μπαταρίες.
- ◆ Αν κάποιο καλώδιο φθαρεί, αντικαταστήστε το αμέσως.
- ◆ Μην εκθέτετε τον φορτιστή σε νερό.
- ◆ Μην ανοίγετε τον φορτιστή.
- ◆ Μην επεμβαίνετε στον φορτιστή.

Κατά τη φόρτιση, η μπαταρία πρέπει να βρίσκεται σε καλά αεριζόμενο χώρο.

#### ΑΠΟΦΥΓΕΤΕ ΤΗΝ ΥΠΕΡΒΟΛΙΚΗ ΦΟΡΤΙΣΗ:

- ◆ Επαναφόρτιση με AC: μέγιστη διάρκεια 14 ώρες.
- ◆ Επαναφόρτιση με DC: μέγιστη διάρκεια 14 ώρες.
- ◆ Αφού ολοκληρωθεί η επαναφόρτιση, αποσυνδέστε τον φορτιστή και περιμένετε 5 λεπτά πριν χρησιμοποιήσετε τη συσκευή.

#### Ο φορτιστής φέρει τα παρακάτω σύμβολα:



Η βάση φόρτισης φέρει διπλή μόνωση, επομένως δεν απαιτείται σύρμα γείωσης.



Μονωτικός μετασχηματιστής εξασφαλισμένης λειτουργίας Η τροφοδοσία δικτύου είναι ηλεκτρικά διαχωρισμένη από την έξοδο του μετασχηματιστή.



Ο φορτιστής απενεργοποιείται αυτόματα όταν η θερμοκρασία περιβάλλοντος ανέβει υπερβολικά. Κατά συνέπεια, ο φορτιστής να αχρηστεύεται. Η βάση φόρτισης θα πρέπει να αποσυνδεθεί από την πρίζα και να μεταφερθεί σε ένα εξουσιοδοτημένο κέντρο.



Η βάση φόρτισης προορίζεται για χρήση σε εσωτερικούς χώρους μόνο.

## Ασφαλής χρήση του ηλεκτρικού ρεύματος



Αυτό το εργαλείο φέρει διπλή μόνωση, επομένως δεν απαιτείται σύρμα γείωσης. Ελέγχετε πάντοτε αν η τάση τροφοδοσίας αντιστοιχεί σε αυτήν που αναγράφεται στην πινακίδα στοιχείων του εργαλείου.

- ♦ Αν το καλώδιο ρεύματος έχει υποστεί φθορά, η αντικατάστασή του πρέπει να γίνει από τον κατασκευαστή ή από ένα εξουσιοδοτημένο κέντρο της Black & Decker, ώστε να μην αποτελέσει κίνδυνο.

## Χαρακτηριστικά

Η συσκευή αυτή διαθέτει μερικά ή όλα από τα παρακάτω χαρακτηριστικά:

1. Αντικαθιστώμενη λυχνία αλογόνου από χαλαζία
2. Ελαστικός δακτύλιος προστασίας
3. Ενδεικτική λυχνία LED για την κατάσταση της μπαταρίας
4. Κουμπί κλειδώματος σκανδάλης
5. Λαβή πιστολιού
6. Ιμάντας μεταφοράς
7. Φις φορτιστή
8. Καλώδιο τροφοδοσίας DC από όχημα
9. Οικιακός φορτιστής
10. Σκανδάλη φωτισμού 3 θέσεων
11. Υποδοχή φόρτισης 12 Vdc

## Φόρτιση του προβολέα (εικ. Α - C)

- ♦ Όταν παραλαμβάνετε τον προβολέα, είναι μερικώς φορτισμένος. Πριν τον χρησιμοποιήσετε, πρέπει να τον φορτίσετε, χρησιμοποιώντας τον οικιακό φορτιστή (9), για 12-14 ώρες ή μέχρι να ανάψει η πράσινη ενδεικτική λυχνία LED κατάστασης μπαταρίας (3).
- ♦ Επαναλάβετε τη φόρτιση μετά από κάθε χρήση, μέχρι να ανάψει η πράσινη ενδεικτική λυχνία LED κατάστασης μπαταρίας (3).

Μπορείτε να ελέγξετε ανά πάσα στιγμή την κατάσταση της μπαταρίας πατώντας το κουμπί κατάστασης μπαταρίας (3).

Το επίπεδο φόρτισης δηλώνεται με τις ενδεικτικές λυχνίες LED.

- ♦ Μία κόκκινη ενδεικτική λυχνία LED σημαίνει ότι σύντομα η μονάδα θα πρέπει να φορτιστεί.
- ♦ Δύο κόκκινες ενδεικτικές λυχνίες LED σημαίνουν υψηλό επίπεδο φόρτισης της μπαταρίας.
- ♦ Η πράσινη ενδεικτική λυχνία LED δηλώνει ότι η μονάδα είναι πλήρως φορτισμένη.

## Φόρτιση με τον οικιακό φορτιστή (εικ. Α - C)

- ♦ Βεβαιωθείτε ότι έχετε σβήσει τον προβολέα (το κουμπί κλειδώματος της σκανδάλης (4) είναι στη θέση απενεργοποίησης και η σκανδάλη (10) δεν είναι πατημένη).

**Προειδοποίηση!** Η διάρκεια της φόρτισης δεν πρέπει να υπερβεί τις 14 ώρες.

- ♦ Τοποθετήστε το φις του φορτιστή (7) στην υποδοχή φόρτισης 12 Vdc (11).
- ♦ Συνδέστε τον οικιακό φορτιστή (9) σε μια πρίζα.
- ♦ Η φόρτιση έχει ολοκληρωθεί όταν ανάψει η πράσινη ενδεικτική λυχνία LED κατάστασης μπαταρίας (3) (μετά από περίπου 12-14 ώρες).

## Φόρτιση με το καλώδιο τροφοδοσίας DC από όχημα (εικ. Α - C)

- ♦ Βεβαιωθείτε ότι έχετε σβήσει τον προβολέα (το κουμπί κλειδώματος της σκανδάλης (4) είναι στη θέση απενεργοποίησης και η σκανδάλη (10) δεν είναι πατημένη).

**Προειδοποίηση!** Η διάρκεια της φόρτισης δεν πρέπει να υπερβεί τις 14 ώρες.

- ♦ Τοποθετήστε το φις του φορτιστή (7) στην υποδοχή φόρτισης 12 Vdc (11).
- ♦ Τοποθετήστε το φις του καλωδίου τροφοδοσίας DC από όχημα (8) στον αναπτήρα του οχήματός σας ή σε κάποια άλλη πηγή 12 Vdc.
- ♦ Η φόρτιση έχει ολοκληρωθεί όταν ανάψει η πράσινη ενδεικτική λυχνία LED κατάστασης μπαταρίας (3) (μετά από περίπου 13-14 ώρες).

Βεβαιωθείτε ότι η πηγή τροφοδοσίας dc που θα χρησιμοποιήσετε, όπως μια εξωτερική συσκευή τροφοδοσίας, μπαταρία ή ο αναπτήρας του οχήματος, λειτουργεί με τάση 12 Vdc και έχει τη δυνατότητα παροχής τουλάχιστον 0,5 amp στα 12 Vdc για οκτώ ώρες. Αυτό σημαίνει ότι η φόρτιση της μπαταρίας πρέπει να γίνεται με τουλάχιστον 4 amp/ώρα.

**Σημείωση:** Για να χρησιμοποιήσετε τον αναπτήρα του συστήματος 12 Vdc του οχήματος ως πηγή της ενέργειας φόρτισης, ενδέχεται να πρέπει να γυρίσετε τον διακόπτη ανάφλεξης στη θέση τροφοδοσίας.

## ΧΡΗΣΗ

### Τρόπος λειτουργίας του προβολέα (εικ. Β)

- ♦ Μετακινήστε το κουμπί κλειδώματος της σκανδάλης (4) προς τα κάτω, στη θέση απενεργοποίησης.
- ♦ Πατήστε τη σκανδάλη (10) για να ανάψετε τον προβολέα.

- ♦ Πατήστε επανειλημμένα τη σκανδάλη (10), σε διαστήματα του ενός δευτερολέπτου, για να αυξήσετε τη φωτεινότητα.
- ♦ Για να κλειδώσετε τη σκανδάλη (10) αφού ανάψετε τον προβολέα, πατήστε την όσες φορές χρειάζεται ώστε να φτάσετε στο επίπεδο φωτεινότητας που θέλετε και μετακινήστε το κουμπί κλειδώματος της σκανδάλης (4) προς τα πάνω, στη θέση ενεργοποίησης.
- ♦ Για να σβήσετε τον προβολέα, μετακινήστε το κουμπί κλειδώματος της σκανδάλης (4) προς τα κάτω, στη θέση απενεργοποίησης.

### Χρήση του ενσωματωμένου ιμάντα μεταφοράς

- ♦ Ο ιμάντας (6) μπορεί να χρησιμοποιηθεί για τη φύλαξη ή τη μεταφορά του προβολέα. Ρυθμίστε κατάλληλα τον ιμάντα για να στερεώσετε σωστά τον προβολέα.

## ΣΥΝΤΗΡΗΣΗ

Αυτό το εργαλείο της Black & Decker έχει σχεδιαστεί έτσι ώστε να λειτουργεί για μεγάλο χρονικό διάστημα με την ελάχιστη δυνατή συντήρηση. Η αδιάλειπτη και ικανοποιητική λειτουργία του εργαλείου εξαρτάται από τη φροντίδα και τον τακτικό καθαρισμό.

**Προειδοποίηση!** Πριν πραγματοποιήσετε οποιοδήποτε συντήρηση ή καθαρισμό πάνω στη συσκευή, βγάλτε τη συσκευή από την πρίζα.

- ♦ Από καιρό σε καιρό σκουπίζετε τη συσκευή με ένα υγρό πανί. Μη χρησιμοποιείτε λιπαντικά ή υγρά καθαρισμού που περιέχουν διαλυτικά. Μην βουτάτε τη συσκευή μέσα σε νερό.

### Αντικατάσταση της λυχνίας (εικ. D & E)

Για να αντικαταστήσετε τη λυχνία (1), θα χρειαστείτε ένα μικρό σταυροκατσάβιδο και μια νέα λυχνία του συγκεκριμένου τύπου που αναγράφεται στα τεχνικά χαρακτηριστικά.

**Προειδοποίηση!** Μην αγγίζετε τη γυάλινη επιφάνεια της λυχνίας. Η διάρκεια ζωής της ενδέχεται να μειωθεί αν κατά την τοποθέτηση υπάρχουν ακαθαρσίες ή δαχτυλιές.

Μπορείτε να σκουπίσετε τη λυχνία (1) με ένα ύφασμα νοτισμένο με κάποιο υγρό καθαρισμού με βάση το οινόπνευμα.

- ♦ Αποσυνδέστε τον προβολέα από το φορτιστή.
- ♦ Ανασηκώστε και σπρώξτε τον ελαστικό δακτύλιο προστασίας (2) προς το εμπρός μέρος του προβολέα. Έτσι θα αποκαλυφθούν δύο μικρές βίδες (12) στο δακτύλιο συγκράτησης (13).

- ♦ Αφαιρέστε τις δύο βίδες (12) και φυλάξτε τις.
- ♦ Ανασηκώστε και αφαιρέστε το δακτύλιο συγκράτησης (13), το γυάλινο φακό (12) και τον ελαστικό κυκλικό δακτύλιο (15). Τοποθετήστε αυτά τα εξαρτήματα σε ασφαλές μέρος.
- ♦ Αφαιρέστε προσεκτικά τον ανακλαστήρα (16) και το σύστημα της λυχνίας.
- ♦ Αποσυνδέστε το καλώδιο της λυχνίας (17) από το καλώδιο τροφοδοσίας.
- ♦ Ξεκουμπώστε το κλιπ συγκράτησης (18) από τη στεφάνη του ανακλαστήρα (εικ. E).
- ♦ Αφαιρέστε τη βίδα (19) και αποσυνδέστε το καλώδιο.
- ♦ Αφαιρέστε τη λυχνία (1) και αποσυνδέστε το καλώδιο.
- ♦ Τοποθετήστε τη νέα λυχνία (1) στη στεφάνη του ανακλαστήρα (16).
- ♦ Τοποθετήστε το κλιπ συγκράτησης (18) στη στεφάνη του ανακλαστήρα (16).
- ♦ Τοποθετήστε το καλώδιο με τη βίδα (19).
- ♦ Συνδέστε το καλώδιο της λυχνίας (17) στο καλώδιο τροφοδοσίας.
- ♦ Τοποθετήστε τον ανακλαστήρα (16) στη θέση του, στο σώμα του προβολέα.
- ♦ Τοποθετήστε τον ελαστικό κυκλικό δακτύλιο (15) στην εσοχή που υπάρχει γύρω από την περίμετρο του ανακλαστήρα (16).
- ♦ Τοποθετήστε το γυάλινο φακό (12) και το δακτύλιο συγκράτησης (13) με τρόπο ώστε να ευθυγραμμιστούν οι οπές για τις βίδες.
- ♦ Στερεώστε το δακτύλιο συγκράτησης (13) με τις δύο βίδες (12).
- ♦ Τοποθετήστε τον ελαστικό δακτύλιο προστασίας (2).

### Αντικατάσταση της ασφάλειας στο καλώδιο τροφοδοσίας DC από όχημα

- ♦ Αφαιρέστε το χρυσαφί καπάκι περιστρέφοντάς το προς τα αριστερά.
- ♦ Αφαιρέστε την ελαστική ροδέλα, τον κεντρικό άξονα και το ελατήριο.
- ♦ Αφαιρέστε την ασφάλεια.
- ♦ Τοποθετήστε μια καινούργια ασφάλεια του ίδιου μεγέθους και τύπου (0,5 A).
- ♦ Τοποθετήστε τον κεντρικό άξονα, το ελατήριο και την ελαστική ροδέλα.
- ♦ Τοποθετήστε το χρυσαφί καπάκι και περιστρέψτε το προς τα δεξιά.



## Προστασία του περιβάλλοντος



Εάν κάποια μέρα αποφασίσετε ότι η συσκευή σας χρειάζεται αντικατάσταση ή ότι δεν την χρειάζεστε άλλο, σκεφθείτε την προστασία του περιβάλλοντος. Τα κέντρα επισκευών της Black & Decker παραλαμβάνουν παλαιά εργαλεία Black & Decker και φροντίζουν για την απόρριψή τους με ασφαλή για το περιβάλλον τρόπο.



Η ανεξάρτητη συλλογή των μεταχειρισμένων προϊόντων και των υλικών συσκευασίας δίνει τη δυνατότητα ανακύκλωσης και επαναχρησιμοποίησης των υλικών. Με την επαναχρησιμοποίηση των ανακυκλωμένων υλικών αποτρέπεται η μόλυνση του περιβάλλοντος και μειώνεται η ζήτηση πρώτων υλών.

Οι κανονισμοί που ισχύουν στην περιοχή σας ενδέχεται να προβλέπουν την επιλεκτική περισυλλογή των ηλεκτρικών συσκευών που προέρχονται από νοικοκυριά σε κρατικές εγκαταστάσεις ή από τον έμπορο όταν αγοράσετε ένα καινούργιο προϊόν.

Η Black & Decker δίνει τη δυνατότητα ανακύκλωσης των προϊόντων της που έχουν συμπληρώσει τη διάρκεια ζωής τους. Για να χρησιμοποιήσετε αυτήν την υπηρεσία, επιστρέψτε το προϊόν σας σε οποιοδήποτε εξουσιοδοτημένο κέντρο επισκευών, όπου θα το παραλάβουν εκ μέρους μας.

Ενημερωθείτε για το πλησιέστερο εξουσιοδοτημένο κέντρο επισκευών της περιοχής σας, επικοινωνώντας με τα γραφεία της Black & Decker στη διεύθυνση που αναγράφεται στο εγχειρίδιο. Επίσης, για να πληροφορηθείτε για τα εξουσιοδοτημένα κέντρα επισκευών της Black & Decker και τους αρμόδιους των υπηρεσιών που παρέχονται μετά την πώληση, μπορείτε να ανατρέξετε στο Διαδίκτυο, στη διεύθυνση: [www.2helpU.com](http://www.2helpU.com).



Οι μπαταρίες Black & Decker μπορούν να επαναφορτιστούν πολλές φορές. Στο τέλος της ωφέλιμης ζωής τους, απορρίψτε τις μπαταρίες με την πρέπουσα φροντίδα για το περιβάλλον μας:

- ♦ Μην απορρίψετε τις μπαταρίες στη φωτιά, επειδή μπορεί να προκληθεί έκρηξη.

- ♦ Οι μπαταρίες μολύβδου (Pb) είναι ανακυκλώσιμες. Η απόρριψή τους δεν πρέπει να γίνεται στα οικιακά απορρίμματα. Εάν δεν έχετε πρόσβαση σε κάποιο χώρο ανακύκλωσης προϊόντων, η μπαταρία θα πρέπει να αφαιρεθεί όπως περιγράφεται παρακάτω και να απορριφθεί σύμφωνα με τους κανονισμούς που ισχύουν στην περιοχή σας.
- ♦ Μην βραχυκυκλώνετε τους ακροδέκτες της μπαταρίας.
- ♦ Να θυμάστε ότι η μπαταρία είναι βαριά.
- ♦ Αν είναι δυνατό, χρησιμοποιήστε τη συσκευή μέχρι να εξαντληθεί τελείως η μπαταρία.

Αν χρειάζεστε βοήθεια για την αφαίρεση των μπαταριών, ανατρέξτε στο αναλυτικό διάγραμμα στο πίσω μέρος αυτού του εγχειριδίου.

Τοποθετήστε την μπαταρία σε κατάλληλη συσκευασία για να εξασφαλίσετε ότι οι ακροδέκτες δεν μπορούν να βραχυκυκλώσουν.

Πηγαίνετε την μπαταρία σε έναν εξουσιοδοτημένο αντιπρόσωπο επισκευών ή στον πλησιέστερο σταθμό ανακύκλωσης της περιοχής σας. Οι μπαταρίες που συλλέγονται εκεί, θα ανακυκλωθούν ή θα απορριφθούν με τον κατάλληλο τρόπο.

### Τεχνικά χαρακτηριστικά

		BDV156
Τάση εισόδου	Vdc	12
Ρεύμα εισόδου	mA	μεγ. 300
Βάρος	kg	1,3
Μπαταρία	Τύπος	6V 3Ah SLA
Λυχνία	Τύπος	H3
<b>Φορτιστής</b>		
Είσοδος	Vac	230
Χρόνος φόρτισης κατά προσέγγιση	h	14
Βάρος	kg	0,2

### Δήλωση συμμόρφωσης με την Ευρωπαϊκή Κοινότητα BDV156

Η Black & Decker δηλώνει ότι τα προϊόντα αυτά συμμορφώνονται με:

Πρότυπα & Νομοθεσία.

73/23/EOK, 89/336/EOK, 95/54/EK, EN60335, EN61000, EN60598, EN61347, EN55014



Kevin Hewitt  
 Διευθυντής  
 Εξυπηρέτησης Πελατών  
 Spennymoor, County  
 Durham  
 DL16 6JG,  
 Αγγλία Ηνωμένο Βασίλειο  
 31-08-2006

κέντρα επισκευών της Black & Decker και τους αρμόδιους των υπηρεσιών που παρέχονται μετά την πώληση, μπορείτε να ανατρέξετε στο Διαδίκτυο, στη διεύθυνση:

**www.2helpU.com**

Παρακαλούμε επισκεφθείτε την ιστοσελίδα μας **www.blackanddecker.eu** για να καταχωρήσετε το νέο σας προϊόν Black & Decker και για να ενημερώνεστε για τα νέα προϊόντα και τις ειδικές προσφορές. Περισσότερες πληροφορίες σχετικά με τη μάρκα Black & Decker και τη σειρά των προϊόντων μας θα βρείτε στη διεύθυνση **www.blackanddecker.eu**.

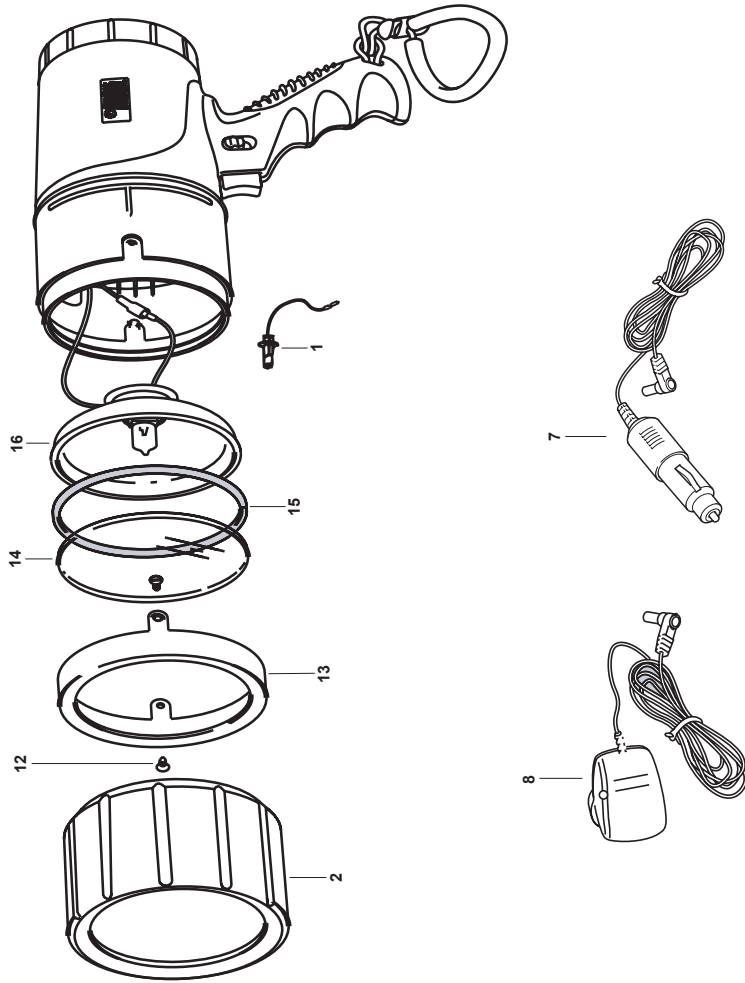
## Εγγύηση

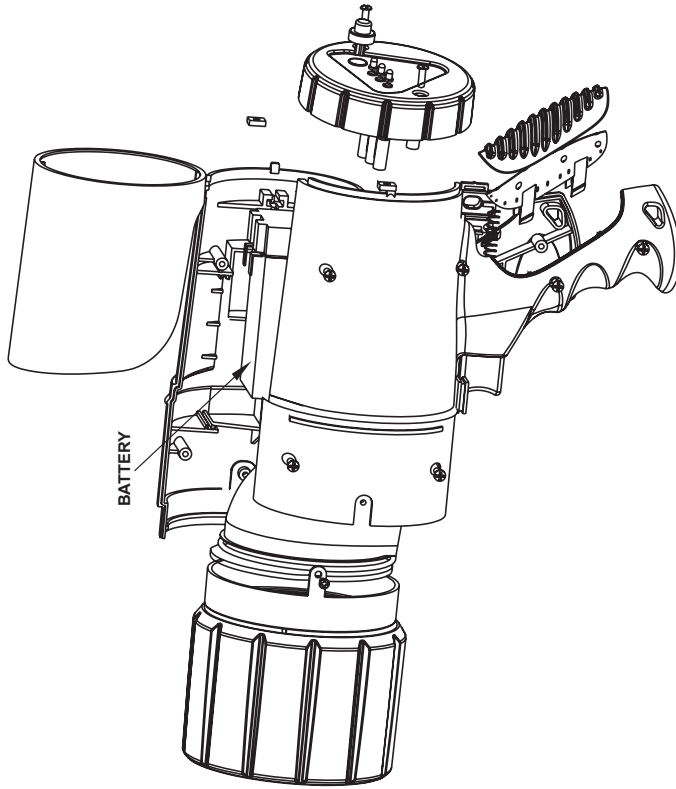
Η Black & Decker είναι σίγουρη για την ποιότητα των προϊόντων της και παρέχει σημαντική εγγύηση. Η παρούσα γραπτή εγγύηση αποτελεί πρόσθετο δικαίωμά σας και δεν ζημιώνει τα νόμιμα δικαιώματά σας. Η εγγύηση ισχύει εντός της επικράτειας των Κρατών Μελών της Ευρωπαϊκής Ένωσης και της Ευρωπαϊκής Ζώνης Ελευθέρων Συναλλαγών.

Σε περίπτωση που κάποιο προϊόν της Black & Decker παρουσιάσει βλάβη εξαιτίας ελαττωματικών υλικών, ποιότητας εργασίας ή έλλειψης συμφωνίας με τις προδιαγραφές εντός 24 μηνών από την ημερομηνία αγοράς, η Black & Decker εγγυάται την αντικατάσταση των ελαττωματικών τμημάτων, την επισκευή προϊόντων που έχουν υποστεί εύλογη φθορά λόγω χρήσης ή την αντικατάσταση των προϊόντων προκειμένου να εξασφαλίσει την ελάχιστη ενόχληση στους πελάτες της, εκτός εάν:

- ◆ Το προϊόν έχει χρησιμοποιηθεί σε εργασιακό, επαγγελματικό περιβάλλον ή αν έχει ενοικιαστεί.
- ◆ Έχει γίνει εσφαλμένη χρήση του προϊόντος ή έχει παραμεληθεί.
- ◆ Το προϊόν έχει υποστεί βλάβη από άλλα αντικείμενα, από ουσίες ή λόγω ατυχήματος.
- ◆ Έχει γίνει προσπάθεια επισκευής από μη εξουσιοδοτημένα κέντρα επισκευών ή από προσωπικό που δεν ανήκει στο προσωπικό της Black & Decker.

Για να ισχύσει η εγγύηση, πρέπει να υποβάλετε απόδειξη αγοράς στον πωλητή ή το εξουσιοδοτημένο κέντρο επισκευών. Ενημερωθείτε για το πλησιέστερο εξουσιοδοτημένο κέντρο επισκευών της περιοχής σας, επικοινωνώντας με τα γραφεία της Black & Decker στη διεύθυνση που αναγράφεται στο εγχειρίδιο. Επίσης, για να πληροφορηθείτε για τα εξουσιοδοτημένα





<b>Australia</b>	Black & Decker (Australia) Pty. Ltd. 20 Fletcher Road, Mooroolbark, Victoria, 3138	Tel. 03-8720 5100 Fax 03-9727 5940
<b>België/Belgique</b>	Black & Decker (Belgium) N.V. Campus Noord, Schaliënhoevedreef 20E 2800 Mechelen	Tel. 015 - 47 92 11 Fax 015 - 47 92 10
<b>Danmark</b>	Black & Decker Sluseholmen 2-4, 2450 København SV Internet: <a href="http://www.blackanddecker.dk">www.blackanddecker.dk</a>	Tel. 70 20 15 30 Fax 36 94 49 01
<b>Deutschland</b>	Black & Decker GmbH Black & Decker Str. 40, D - 65510 Idstein	Tel. 06126/21 - 0 Fax 06126/21 29 80
<b>Ελλάδα</b>	Black & Decker (Ελλάς) A.E. Στράβωνος 7 & Λεωφ. Βουλιαγμένης 159 166 74 Γλυφάδα - Αθήνα	Τηλ. 210 8981616 Τηλ. 210 8982630 Φαξ Service 210 8983285
<b>España</b>	Black & Decker Ibérica, S.C.A. Parque de Negocios "Mas Blau" Edificio Muntadas, c/Bergadá, 1, Of. A6 08820 El Prat de Llobregat (Barcelona)	Tel. 934 797 400 Fax 934 797 419
<b>France</b>	Black & Decker (France) S.A.S. B.P. 21, 69571 Dardilly Cédex	Tel. 04 72 20 39 20 Fax 04 72 20 39 00
<b>Helvetia</b>	ROFO AG Gewerbezone Seeblick 3213 Kleinbösingen	Tel. 026-6749391 Fax 026-6749394
<b>Italia</b>	Black & Decker Italia SpA Viale Elvezia 2 20052 Monza (MI)	Tel. 039-23871 Fax 039-2387592/2387594 Numero verde 800-213935
<b>Nederland</b>	Black & Decker Benelux Joulehof 12, 4622 RG Bergen op Zoom	Tel. 0164 - 283000 Fax 0164 - 283100
<b>New Zealand</b>	Black & Decker 81 Hugo Johnston Drive Penrose, Auckland, New Zealand	Tel. 09 579 7600 Fax 09 579 8200
<b>Norge</b>	Black & Decker (Norge) A/S Postboks 4814, Nydalen, 0422 Oslo Internet: <a href="http://www.blackanddecker.no">www.blackanddecker.no</a>	Tlf. 22 90 99 00 Fax 22 90 99 01
<b>Österreich</b>	Black & Decker Vertriebsges.m.b.H Erlaaerstraße 165, 1231 Wien	Tel. 01 66116-0 Fax 01 66116-14
<b>Portugal</b>	Black & Decker Rua Egas Moniz 173 S. João do Estoril 2766-651 Estoril	Tel. 214667500 Fax 214667575
<b>Suomi</b>	Black & Decker Oy Keilasatama 3, 02150 Espoo Black & Decker Oy, Kägelhamnen 3, 02150 Esbo	Puh.: 010 400 430 Faksi: (09) 2510 7100 Tel: 010 400 430 Fax: (09) 2510 7100
<b>Sverige</b>	Black & Decker AB Fabriksg. 7, 412 50 Göteborg	Tel: 031-68 60 60 Fax: 031-68 60 80
<b>Türkiye</b>	İntratek Mühendislik ve Dış Tic. A.Ş. Ortaklar Cad. No:19/2 80290 Mecidiyeköy / İstanbul	Tel. 0212 211 22 10 Faks 0212 266 33 03
<b>United Kingdom</b>	Black & Decker 210 Bath Road Slough, Berkshire SL1 3YD	Tel. 01753 511234 Fax 01753 551155 Helpline 01753 574277
<b>Middle East &amp; Africa</b>	Black & Decker (Overseas) A.G. PB 5420, Dubai, United Arab Emirates	Tel. +971 4 2826464 Fax +971 4 2826466



Dealer address  
Händleradresse  
Cachet du revendeur  
Indirizzo del rivenditore  
Adres van de dealer  
Dirección del detallista  
Morada do revendedor  
Återförsäljarens adress  
Forhandlerens adresse  
Forhandler adresse  
Jälleemmyjiän osoite  
Διεύθυνση αντιπροσώπου

◆ Name ◆ Nom ◆ Nome  
◆ Neam ◆ Nombre ◆ Nome ◆ Namn  
◆ Navn ◆ Navn ◆ Nimi ◆ Oνομα:

◆ Address ◆ Adresse ◆ Adresse ◆ Indirizzo ◆  
Adres ◆ Dirección ◆ Morada ◆ Address ◆◆  
Adresse ◆ Adresse ◆ Osoite ◆ Διεύθυνση:

◆ Town ◆ Ort ◆ Ville ◆ Città ◆ Plaats  
◆ Ciudad ◆ Localidade ◆ Ort ◆ By ◆ By  
◆ Paikkakunta ◆ Πόλη:

◆ Postal code ◆ Postleitzahl ◆ Code postal ◆  
Codice postale ◆ Postcode  
◆ Código ◆ Código postal ◆ Postnr.  
◆ Postnr. ◆ Postnr. ◆ Postnummero  
◆ Κωδικός

◆ Is this tool a gift? ◆ Ist dieses Gerät ein  
Geschenk? ◆ S'agit-il d'un cadeau? ◆ Si tratta  
di un regalo? ◆ Kreeg u de machine als cadeau?  
◆ ¿Ha recibido usted esta herramienta como  
regalo? ◆ Recebeu esta ferramenta como  
presente? ◆ Är verktyget en gåva?  
◆ Er verktoyet en gave? ◆ Er verktojet en gave?  
◆ Onko kone lahja? ◆ Το εργαλείο είναι δώρο?

◆ Yes ◆ Ja ◆ Oui ◆ Si ◆ Ja ◆ Si ◆ Yes  
◆ Sim ◆ Ja ◆ Ja ◆ Ja ◆ Kyllä ◆ Nαι

◆ No ◆ Nein ◆ Non ◆ No ◆ Nee  
◆ No ◆ Não ◆ Nej ◆ Nei ◆ Nej  
◆ Ei ◆ Oχι

◆ Is this tool your first purchase? ◆ Ist dieses  
Gerät ein Erstkauf? ◆ Est-ce un 1er achat? ◆  
Questo prodotto è il suo primo acquisto? ◆ Is  
deze machine uw eerste aankoop? ◆ ¿Es esta  
herramienta la primera de este tipo?  
◆ Esta ferramenta é a sua primeira compra? ◆  
Är detta ditt första B&D-verktyg? ◆ Er dette ditt  
første B&D verktoy? ◆ Er dette ditt første B&D  
verktøj? ◆ Onko tämä ensimmäinen B&D-

Date of purchase  
Kaufdatum  
Date d'achat  
Data d'acquisto  
Aankoopdatum  
Fecha de compra  
Data de compra  
Inkõpsidatum  
Imkjõpsudato  
Indkøbsdato  
Ostopäivä  
Ημερομηνία αγοράς

koneesi? ◆ Είναι το εργαλείο αυτό η  
πρώτη σας αγορά?

◆ Yes ◆ Ja ◆ Oui ◆ Si ◆ Ja ◆ Si  
◆ Sim ◆ Ja ◆ Ja ◆ Ja ◆ Kyllä ◆ Nαι

◆ No ◆ Nein ◆ Non ◆ No ◆ Nee  
◆ No ◆ Não ◆ Nej ◆ Nei ◆ Nej  
◆ Ei ◆ Oχι

◆ Dealer address ◆ Händleradresse  
◆ Cachet du revendeur ◆ Indirizzo del  
rivenditore ◆ Adres van de dealer  
◆ Dirección del detallista ◆ Morada do  
revendedor ◆ Återförsäljarens adress  
◆ Forhandlerens adresse ◆ Forhandler adresse  
◆ Jälleemmyjiän osoite  
◆ Διεύθυνση αντιπροσώπου

Cat. no.:



Date of purchase  
Kaufdatum  
Date d'achat  
Data d'acquisto  
Aankoopdatum  
Fecha de compra  
Data de compra  
Inkõpsidatum  
Imkjõpsudato  
Indkøbsdato  
Ostopäivä  
Ημερομηνία αγοράς

◆

◆ Data protection act: Tick the box if you prefer  
not to receive further information. ◆ Bitte  
ankreuzen, falls Sie keine weiteren  
Informationen erhalten möchten. ◆ Si vous ne  
souhaitez pas recevoir d'informations, cochez  
cette case. ◆ Barrate la casella se non  
desiderate ricevere informazioni.  
◆ A.u.b. ditt vakje aankreuzen indien u geen  
informatie wenst te ontvangen.

◆ Señale en la casilla sino quiere recibir  
información. ◆ Por favor, assinala com uma cruz  
se não desejar receber informação. ◆ Vänligen  
kryssa för i rutan om Ni inte vill få information.  
◆ Venligst kryss av dersom du ikke ønsker  
informasjon. ◆ Venligst sæt kryds i ruden  
såfremt De ikke måtte ønske at modtage  
information.

◆ Merkkikää rasti ruutuun, mikäli ette halua  
vastaanottaa informaatiota.  
◆ Παρακαλείστε να σημειώσετε εάν δεν θέλετε  
να πάρετε πληροφορίες.



- ◆ GUARANTEE CARD**
- ◆ GARANTIEKART**
- ◆ GARANTIEKART**
- ◆ GARANTI KORT**
- ◆ GARANTIEKARTE**
- ◆ TARJETA DE GARANTIA**
- ◆ GARANTI KORT**
- ◆ CARTE DE GARANTIE**
- ◆ CARTÃO DE GARANTIA**
- ◆ TAKUUKORTTI**
- ◆ TAGLIANDO DI GARANZIA**
- ◆ GARANTIBEVIS**
- ◆ KAPTA EFTYHSHZ**



**English**

Please complete this section immediately after the purchase of your tool and send it to Black & Decker in your country. If you live in Australia or New Zealand, please register by using the alternative guarantee card supplied.

**Deutsch**

Bitte schneiden Sie diesen Abschnitt ab, stecken ihn in einen frankierten Umschlag und schicken ihn an die Black & Decker Adresse Ihres Landes.

**Français**

Découpez cette partie et envoyez-la sous enveloppe timbrée à l'adresse de Black & Decker dans votre pays, ceci immédiatement après votre achat.

**Italiano**

Per favore ritagliate questa parte, inseritela in una busta con francobollo e spedite la subito dopo l'acquisto del prodotto all'indirizzo della Black & Decker nella vostra nazione.

**Nederlands**

Knip dit gedeelte uit en zend het direct na aankoop in een gefrankeerde, geadresseerde envelop naar het adres van Black & Decker in uw land.

**Español**

Después de haber comprado su herramienta envíe usted, por favor, esta tarjeta a la central de Black & Decker en su país.

**Português**

Por favor, recorte esta parte, coloque-a num envelope selado e endereçado e envie-o logo após a compra do seu produto para o endereço da Black & Decker do seu país.

**Svenska**

Var vänlig klipp ur denna del och sänd den i ett frankerat kuvert till Black & Deckers adress i Ditt land.

**Norsk**

Vennligst klipp ut denne delen umiddelbart etter du har pakket ut ditt produkt og legg det i en adressert konvolutt til Black & Decker (Norge) A/S.

**Dansk**

Venligst klip denne del ud og send frankeret til Black & Decker i dit land.

**Suomi**

Leikkaa irti tämä osa, laita se kuoreen ja postita kuori paikalliseen Black & Deckers osoitteeseen.

**Ελληνικά**

Παράκατω κόψτε αυτό το κομμάτι και τοχυλοποιήστε το μετρώς μετά την αγορά του προϊόντος σας στην διεύθυνση της Black & Decker στην Ελλάδα.