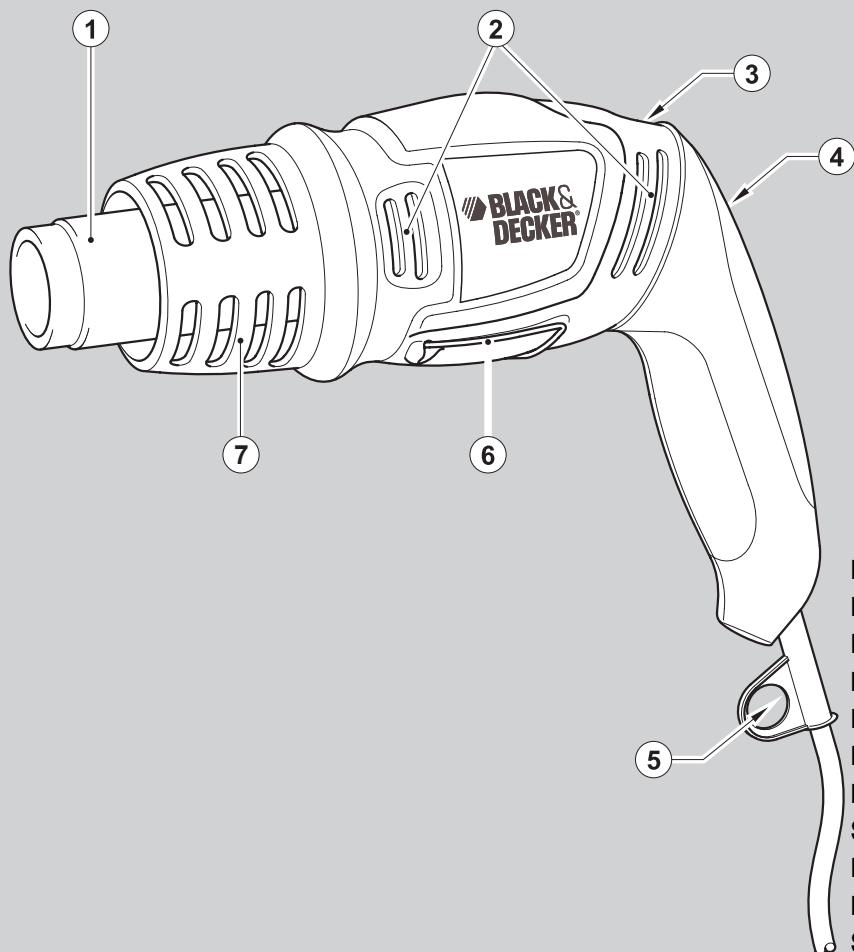
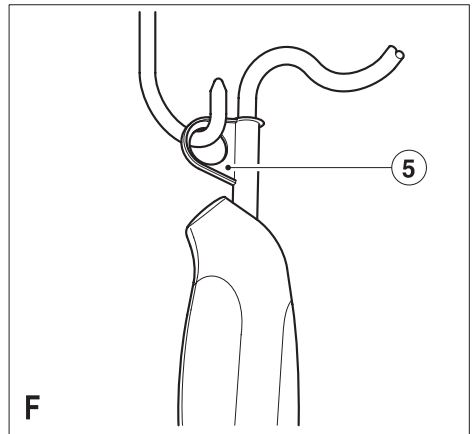
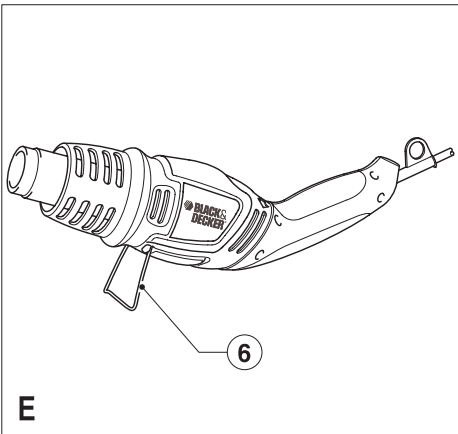
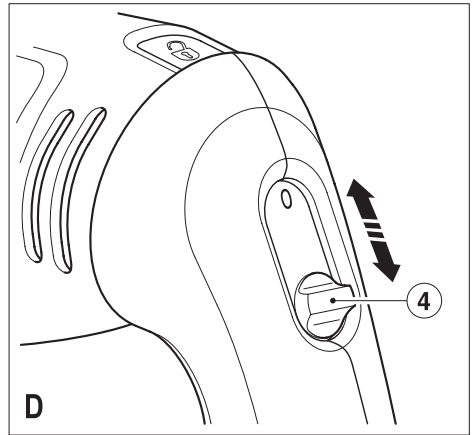
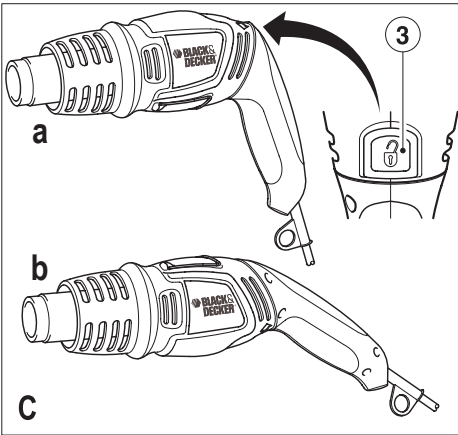
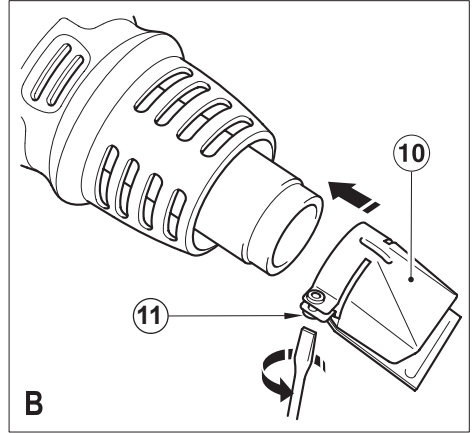
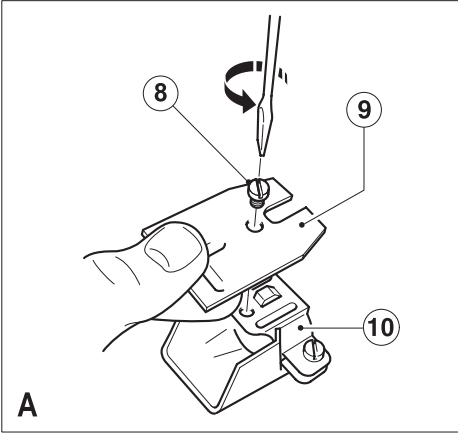


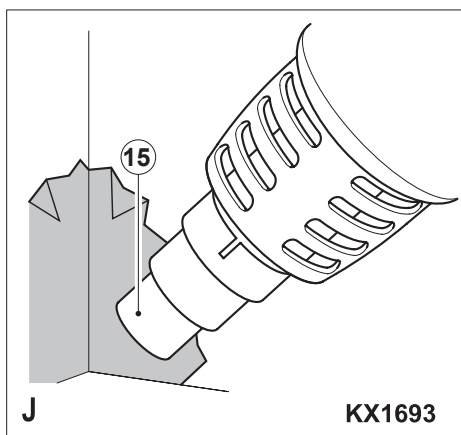
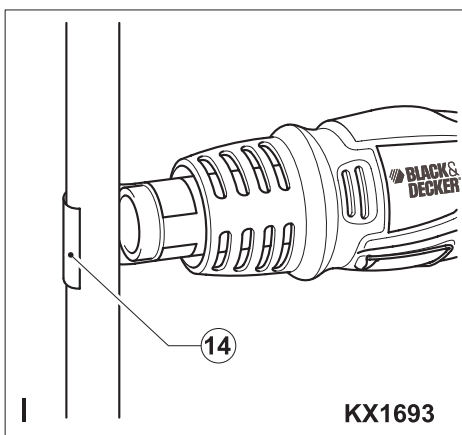
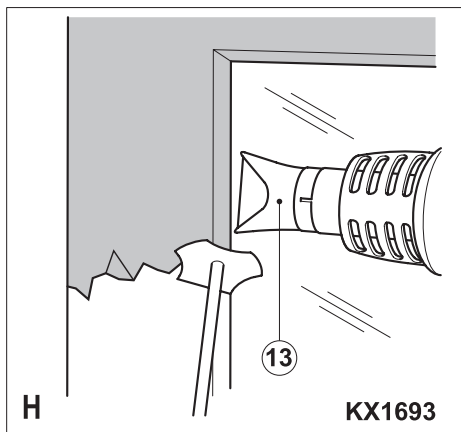
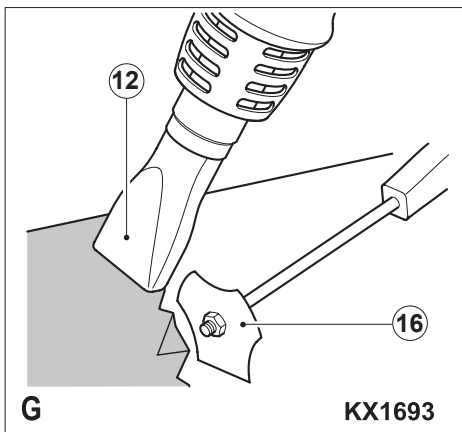
BLACK & DECKER®

www.blackanddecker.eu



English	4
Deutsch	9
Français	15
Italiano	21
Nederlands	27
Español	33
Português	39
Svenska	45
Norsk	50
Dansk	55
Suomi	60
Ελληνικά	65





Intended use

Your Black & Decker heat gun has been designed for various heating applications such as paint stripping. This product is intended for consumer use and indoor use only.

Safety instructions

General safety rules



Warning! Read all safety warnings and all instructions. Failure to follow all instructions may result in electric shock, fire and/or serious injury.

Save all warnings and instructions for future reference.

The term "power tool" in all of the warnings listed below refers to your mains operated (corded) power tool or battery operated (cordless) power tool.

1. **Work area safety**
 - a. **Keep work area clean and well lit.** Cluttered and dark areas invite accidents.
 - b. **Do not operate power tools in explosive atmospheres, such as in the presence of flammable liquids, gases or dust.** Power tools create sparks which may ignite the dust or fumes.
 - c. **Keep children and bystanders away while operating a power tool.** Distractions can cause you to lose control.
2. **Electrical safety**
 - a. **Power tool plugs must match the outlet. Never modify the plug in any way. Do not use any adapter plugs with earthed (grounded) power tools.** Unmodified plugs and matching outlets will reduce risk of electric shock.
 - b. **Avoid body contact with earthed or grounded surfaces such as pipes, radiators, ranges and refrigerators.** There is an increased risk of electric shock if your body is earthed or grounded.
 - c. **Do not expose power tools to rain or wet conditions.** Water entering a power tool will increase the risk of electric shock.
 - d. **Do not abuse the cord. Never use the cord for carrying, pulling or unplugging the power tool. Keep cord away from heat, oil, sharp edges or moving parts.** Damaged or entangled cords increase the risk of electric shock.
 - e. **When operating a power tool outdoors, use an extension cord suitable for outdoor use.** Use of a cord suitable for outdoor use reduces the risk of electric shock.
3. **Personal safety**
 - a. **Stay alert, watch what you are doing and use common sense when operating a power tool. Do not use a power tool while you are tired or under the influence of drugs, alcohol or medication.** A moment of inattention while operating power tools may result in serious personal injury.
 - b. **Use personal protective equipment. Always wear eye protection.** Protective equipment such as dust mask, non-skid safety shoes, hard hat, or hearing protection used for appropriate conditions will reduce personal injuries.
 - c. **Prevent unintentional starting. Ensure the switch is in the off-position before connecting to power source and/or battery pack, picking up or carrying the tool.** Carrying power tools with your finger on the switch or energising power tools that have the switch on invites accidents.
 - d. **Remove any adjusting key or wrench before turning the power tool on.** A wrench or a key left attached to a rotating part of the power tool may result in personal injury.
 - e. **Do not overreach. Keep proper footing and balance at all times.** This enables better control of the power tool in unexpected situations.
 - f. **Dress properly. Do not wear loose clothing or jewellery. Keep your hair, clothing and gloves away from moving parts.** Loose clothes, jewellery or long hair can be caught in moving parts.
 - g. **If devices are provided for the connection of dust extraction and collection facilities, ensure these are connected and properly used.** Use of these devices can reduce dust related hazards.
4. **Power tool use and care**
 - a. **Do not force the power tool. Use the correct power tool for your application.** The correct power tool will do the job better and safer at the rate for which it was designed.
 - b. **Do not use the power tool if the switch does not turn it on and off.** Any power tool that cannot be controlled with the switch is dangerous and must be repaired.
 - c. **Disconnect the plug from the power source and/or the battery pack from the power tool before making any adjustments, changing accessories, or storing power tools.** Such preventive safety measures reduce the risk of starting the power tool accidentally.
5. **If operating a power tool in a damp location is unavoidable, use a Residual Current Device (RCD) protected supply.** Use of an RCD reduces the risk of electric shock.

- d. **Store idle power tools out of the reach of children and do not allow persons unfamiliar with the power tool or these instructions to operate the power tool.**

Power tools are dangerous in the hands of untrained users.

- e. **Maintain power tools. Check for misalignment or binding of moving parts, breakage of parts and any other condition that may affect the power tools operation. If damaged, have the power tool repaired before use.** Many accidents are caused by poorly maintained power tools.
- f. **Keep cutting tools sharp and clean.** Properly maintained cutting tools with sharp cutting edges are less likely to bind and are easier to control.
- g. **Use the power tool, accessories and tool bits etc. in accordance with these instructions, taking into account the working conditions and the work to be performed.** Use of the power tool for operations different from those intended could result in a hazardous situation.

5. Service

- a. **Have your power tool serviced by a qualified repair person using only identical replacement parts.** This will make sure that the safety of the power tool is maintained.

Additional safety warnings



Warning! Additional safety instructions for heat guns.

Warning! Do not use outdoors, indoor use only.

Warning! This appliance is not intended for use by persons (including children) with reduced physical, sensory, or mental capabilities, or lack of experience or knowledge, unless they have been given supervision or instruction concerning use of the appliance by a person responsible for their safety.

Warning! Children should be supervised to ensure that they do not play with the appliance.

Warning! This appliance must be placed on its stand when not in use.

Warning! A fire may result if the appliance is not used with care, therefore be careful when using the appliance in places where there are combustible materials;

- ◆ Do not apply heat to the same place for a long time;
- ◆ Do not use in presence of an explosive atmosphere;
- ◆ Be aware that heat may be conducted to combustible materials that are out of sight;
- ◆ Place the appliance on its stand after use and allow it to cool down before storage.

- ◆ Do not leave the appliance unattended when it is switched on.
- ◆ Do not obstruct either the air intake slots or the nozzle outlet as this may cause excessive heat build up resulting in damage to the appliance.
- ◆ Do not direct the hot air flow at other people or animals.
- ◆ Do not touch the nozzle as it becomes very hot during use and remains hot for up to 30 minutes after use.
- ◆ Do not place the nozzle against any object during or immediately after use.
- ◆ Do not poke anything down the nozzle as it could give you an electric shock.
- ◆ Do not look down the nozzle while the appliance is switched on.
- ◆ Do not use the appliance as a hairdryer! The air temperature is far higher than a hairdryer.
- ◆ Ensure adequate ventilation during use as toxic fumes may be produced.
- ◆ Do not use the appliance in a damp atmosphere.
- ◆ When stripping paint, ensure that the work area is enclosed. Wear a dust mask specifically designed for protection against lead paint dust and fumes and ensure that persons within or entering the work area are also protected.
- ◆ Do not burn paint, as it could cause a fire hazard.
- ◆ Do not allow paint to adhere to the nozzle as it could ignite after some time.
- ◆ Switch off the appliance and allow it to cool before fitting any accessory.

Stripping lead-based paint

- ◆ Extreme care should be taken when stripping paint. The peelings, residue and vapours of paint may contain lead, which is poisonous. Any pre-1960 building may in the past have been painted with paint containing lead. This paint may be covered with additional layers of paint. Once deposited on surfaces, hand to mouth contact can result in the ingestion of lead.
- ◆ Exposures to even low levels of lead can cause irreversible brain and nervous system damage. The greatest danger of lead poisoning is to children and pregnant women.
- ◆ Before starting work, it is important to determine whether the paint to be stripped contains lead. This can be done using a test kit or by a professional decorator. Do not smoke, eat or drink in a work area that could or may be contaminated by lead. Lead based paints should only be removed by a professional and should not be removed using a heat gun.

Labels



Read all of this manual carefully before using your appliance.

Electrical safety



This product is double insulated; therefore no earth wire is required. Always check that the power supply corresponds to the voltage on the rating plate.

- ◆ If the supply cord is damaged, it must be replaced by the manufacturer or an authorised Black & Decker Service Centre in order to avoid a hazard.

Extension cables

- ◆ A 2 or 3 core cable may be used as the appliance is double insulated and of class II construction.
- ◆ Up to 30m (100 ft) can be used without loss of power.

Features

1. Nozzle
2. Air inlet holes
3. Pivot handle unlock button
4. Heat setting switch (on/off)
5. Hanging hook
6. Stand
7. Heat guard

fig. A

10. Black & Decker nozzle

fig. G - J

12. Fish tail nozzle
13. Glass protection nozzle
14. Spoon reflector nozzle
15. Cone nozzle
16. Manual scraper

Assembly (fig. A and B)

Warning! Before assembly, make sure that the appliance is switched off and unplugged.

Warning! Make sure that the appliance is switched off and cool before fitting or removing the accessories.

Your heat gun is supplied with an integrated Black & Decker scraper.

- ◆ Align the slot of the scraper blade (9) with the protrusion on the blade holder (10) and position under the retaining screw (8).

Note: Make sure that the hole in the scraper (9) is to the left of the screw (8) in the blade holder (10).

- ◆ Tighten the retaining screw (8).

- ◆ Place the blade holder (10) over the nozzle outlet (1). Make sure that it is aligned; the small bump on the inside of the blade holder (10) engages with the recess on the nozzle.

- ◆ Tighten the blade holder clamp screw (11).

Your heat gun (KX1693 only) is also supplied with the following four nozzles. For best results it is recommended that nozzles are always used.

Fish tail nozzle (12) - Ideal for removing paint or varnish from large flat surfaces.

Cone nozzle (15) - Concentrates the air stream on a smaller, more concentrated area.

Spoon reflector nozzle (14) - disperses the air evenly around the whole object.

Glass protector nozzle (13) - for the protection of glass during paint stripping.

- ◆ Fit the connecting piece of the accessory over the nozzle (1).

Your appliance is also supplied with a manual scraper for stripping paint and varnish.

Dual position handle (fig. C)

Your appliance is a highly versatile heat gun with a dual position handle which can be used comfortably for many different applications. It is designed to be used in either pistol grip mode (a) or in-line mode (b).

- ◆ To switch between positions hold down the handle unlock button (3) and rotate the handle 180 degrees.

Use

Operating your heat gun (fig. D)

- ◆ To turn the heat gun on, push the heat setting switch (4) forward to the 1, 2 or 3 position (position 3 is on the KX1693 only).

Note: The position numbers represent the heat settings described in the technical data table at the end of the manual.

- ◆ To switch your heat gun off, pull the heat setting switch (4) back to reveal the off (O) position.

Using the appliance

- ◆ Allow the appliance to heat up for a few seconds before use.

Note: At first use some smoke may emit from the nozzle. This is normal and will soon decrease.

- ◆ **Low** - use a low temperature setting for drying paint and varnish, removing stickers, shrinking insulation tubes, and thawing frozen pipes.

- ◆ **Medium (KX1693)** - use a medium temperature setting for welding plastics, bending plastic pipes, and loosening tight nuts and screws.
- ◆ **High** - Use a high temperature setting for removing paints and lacquers, and soldering plumbing joints.

If you are unsure about using this appliance on a particular material, start with a low temperature setting and perform a test on a piece of scrap material.

Removing the heat guard

For working in especially narrow places, the heat guard (7) can be removed.

Warning! Make sure that the appliance is switched off and cool before fitting or removing the heat guard.

Warning! Increased danger of burning exists when working without the heat guard.

- ◆ Remove the heat guard (7) by rotating it counter clockwise and removing it from the heat gun.
- ◆ Refit the heat guard (7) to the heat gun and lock it in place by rotating it clockwise.

Hands-free use (fig. E)

Warning! Always point the appliance away from yourself or other persons. Do not touch the nozzle. Take care that no material drops into the nozzle.

The heat gun has a stand (6) to enable hands-free use.

- ◆ Position your heat gun in the in-line mode (fig C b).
- ◆ Place the heat gun on a surface where it cannot be tipped over.
- ◆ Secure the cable to prevent pulling the appliance over.

Paint stripping (figs. G - J)

Note: The nozzles shown in figs. G to J are supplied with the KX1693 only.

Warning! Always point the appliance away from yourself or other persons. Do not touch the nozzle. Take care that no material drops into the nozzle.

- ◆ Direct the hot air at the working area to heat up the paint.
- ◆ Do not burn the paint. Keep the nozzle at least 25 mm from the surface.
- ◆ When the paint softens, remove the paint using a scraper. Scrape the softened paint immediately or it will harden again.
- ◆ Scrape with the grain of the wood wherever possible.
- ◆ Do not allow paint and debris to collect on the scraper.
- ◆ When scraping from a vertical position, scrape downwards to prevent the paint from falling back into the nozzle.
- ◆ When stripping paint from a surface next to glass, take the necessary measures to protect the glass from the heat.

Warning! Use a glass protector nozzle when stripping paint from metal or wood framed windows.

- ◆ Dispose of all paint debris safely and make sure that the work area is thoroughly clean after use.

Cooling down (fig. F)

During use, the nozzle of the heat gun becomes extremely hot.

- ◆ After switching off, suspend your heat gun on the hanging hook (5) or use the stand (6) as described in "hands-free use".
- ◆ Leave to cool for at least 30 minutes.
- ◆ To speed up the cooling time, run the appliance on the minimum temperature setting for a few minutes before switching off.

Maintenance

Your Black & Decker appliance has been designed to operate over a long period of time with a minimum of maintenance. Continuous satisfactory operation depends upon proper care and regular cleaning of the appliance.

Warning! Switch off and unplug the appliance and allow it to cool down before doing any maintenance on the appliance.

- ◆ Regularly clean the ventilation slots in your appliance using a soft brush or dry cloth.
- ◆ To clean the appliance, use only mild soap and a damp cloth. Do not use any abrasive or solvent-based cleaner. Never let any liquid get inside the appliance and never immerse any part of the appliance into liquid.

Protecting the environment



Separate collection. This product must not be disposed of with normal household waste.

Should you find one day that your Black & Decker product needs replacement, or if it is of no further use to you, do not dispose of it with household waste. Make this product available for separate collection.



Separate collection of used products and packaging allows materials to be recycled and used again. Re-use of recycled materials helps prevent environmental pollution and reduces the demand for raw materials.

Local regulations may provide for separate collection of electrical products from the household, at municipal waste sites or by the retailer when you purchase a new product.

Black & Decker provides a facility for the collection and recycling of Black & Decker products once they have reached the end of their working life. To take advantage of this service please return your product to any authorised repair agent who will collect them on our behalf.

You can check the location of your nearest authorised repair agent by contacting your local Black & Decker office at the address indicated in this manual. Alternatively, a list of authorised Black & Decker repair agents and full details of our after-sales service and contacts are available on the Internet at: www.2helpU.com.

Technical data

	KX1692	KX1693
Voltage	Vac 230/240	230/240
Construction	Class II	Class II
Power input	W 1600	1800
Temperature range	°C 140 - 560	140 - 560
Switch position	1 140°C	140°C
Switch position	2 560°C	380°C
Switch position	3 N/A	560°C
Weight	kg 0.75	0.75

Guarantee

Black & Decker is confident of the quality of its products and offers an outstanding guarantee. This guarantee statement is in addition to and in no way prejudices your statutory rights. The guarantee is valid within the territories of the Member States of the European Union and the European Free Trade Area.

If a Black & Decker product becomes defective due to faulty materials, workmanship or lack of conformity, within 24 months from the date of purchase, Black & Decker guarantees to replace defective parts, repair products subjected to fair wear and tear or replace such products to make sure of the minimum inconvenience to the customer unless:

- ◆ The product has been used for trade, professional or hire purposes.
- ◆ The product has been subjected to misuse or neglect.
- ◆ The product has sustained damage through foreign objects, substances or accidents.
- ◆ Repairs have been attempted by persons other than authorised repair agents or Black & Decker service staff.

To claim on the guarantee, you will need to submit proof of purchase to the seller or an authorised repair agent. You can check the location of your nearest authorised repair agent by contacting your local Black & Decker office at the address indicated in this manual. Alternatively, a list of authorised Black & Decker repair agents and full details of our after-sales service and contacts are available on the Internet at: www.2helpU.com

Please visit our website www.blackanddecker.co.uk to register your new Black & Decker product and to be kept up to date on new products and special offers. Further information on the Black & Decker brand and our range of products is available at www.blackanddecker.co.uk

Bestimmungsgemäße Verwendung

Die Black & Decker-Heißluftpistole wurde für zahlreiche Heißluftanwendungen, wie beispielsweise das Entfernen von Farbe entwickelt. Dieses Gerät ist nicht für den gewerblichen Einsatz vorgesehen und darf nur im Innenbereich verwendet werden.

Sicherheitshinweise

Allgemeine Sicherheitsregeln



Achtung! Sämtliche Sicherheitswarnungen und Anweisungen sind zu lesen. Die Nichteinhaltung der aufgeführten Anweisungen kann einen elektrischen Schlag, Brand und/oder schwere Verletzungen verursachen.

Bewahren Sie alle Sicherheitswarnungen und Anweisungen gut auf.

Der nachfolgend verwendete Begriff „Gerät“ bezieht sich auf netzbetriebene Geräte (mit Netzkabel) und auf akkubetriebene Geräte (ohne Netzkabel).

1. **Sicherheit im Arbeitsbereich**
 - a. **Halten Sie Ihren Arbeitsbereich sauber und gut ausgeleuchtet.** Unordnung und dunkle Arbeitsbereiche können zu Unfällen führen.
 - b. **Arbeiten Sie mit Geräten nicht in explosionsgefährdeter Umgebung, in der sich brennbare Flüssigkeiten, Gase oder Stäube befinden.** Geräte erzeugen Funken, die den Staub oder die Dämpfe entzünden können.
 - c. **Halten Sie Kinder und andere Personen während der Benutzung eines Gerätes fern.** Bei Ablenkung können Sie die Kontrolle verlieren.
 2. **Elektrische Sicherheit**
 - a. **Der Netzstecker des Gerätes muss in die Steckdose passen. Der Stecker darf in keiner Weise verändert werden. Verwenden Sie für geschützte Geräte keine Adapterstecker.** Unveränderte Stecker und passende Steckdosen verringern das Risiko eines elektrischen Schlages.
 - b. **Vermeiden Sie Körperkontakt mit geerdeten Oberflächen von Rohren, Heizungen, Herden und Kühlschränken.** Es besteht ein erhöhtes Risiko eines elektrischen Schlages, wenn Ihr Körper geerdet ist.
 - c. **Halten Sie Geräte von Regen und Nässe fern.** Das Eindringen von Wasser in ein Gerät erhöht das Risiko eines elektrischen Schlages.
 - d. **Verwenden Sie das Kabel ordnungsgemäß. Verwenden Sie es niemals zum Tragen. Trennen Sie das Gerät nicht durch Ziehen am Kabel vom Netz. Halten Sie das Kabel fern von Hitze, Öl, scharfen Kanten oder sich bewegenden Teilen.** Beschädigte oder verwickelte Kabel erhöhen das Risiko eines elektrischen Schlages.
 - e. **Wenn Sie mit einem Gerät im Freien arbeiten, verwenden Sie nur Verlängerungskabel, die auch für den Außenbereich zugelassen sind.** Die Verwendung eines für den Außenbereich geeigneten Verlängerungskabels verringert das Risiko eines elektrischen Schlages.
 - f. **Wenn ein Elektrowerkzeug in einer feuchten Umgebung verwendet werden muss, schließen Sie es unbedingt an eine Steckdose mit Fehlerstromschutzschalter (RCD) an.** Ein Fehlerstromschutzschalter verringert das Risiko eines elektrischen Schlages.
3. **Sicherheit von Personen**
 - a. **Seien Sie aufmerksam, achten Sie darauf, was Sie tun, und gehen Sie vernünftig mit dem Gerät um. Benutzen Sie das Gerät nicht, wenn Sie müde sind oder unter dem Einfluss von Drogen, Alkohol oder Medikamenten stehen.** Ein Moment der Unachtsamkeit beim Gebrauch von Geräten kann zu ernsthaften Verletzungen führen.
 - b. **Verwenden Sie eine geeignete Schutzausrüstung. Tragen Sie stets eine Schutzbrille.** Schutzausrüstung wie Staubmaske, rutschfeste Sicherheitsschuhe, Schutzhelm oder Gehörschutz, je nach Art und Einsatz des Gerätes, verringert das Risiko von Verletzungen.
 - c. **Vermeiden Sie eine unbeabsichtigte Inbetriebnahme. Vergewissern Sie sich, dass das Gerät ausgeschaltet ist, bevor Sie es an eine Steckdose oder einen Akku anschließen, es hochheben oder tragen.** Durch das Tragen des Gerätes mit dem Finger am Schalter oder durch das Anschließen eingeschalteter Geräte werden Unfälle provoziert.
 - d. **Entfernen Sie Einstell- oder Schraubenschlüssel, bevor Sie das Gerät einschalten.** Ein Schlüssel in einem sich drehenden Teil kann zu Verletzungen führen.
 - e. **Beugen Sie sich nicht zu weit nach vorn über. Achten Sie auf einen sicheren Stand, um in jeder Arbeitsposition das Gleichgewicht zu halten.** Dadurch können Sie das Gerät in unerwarteten Situationen besser unter Kontrolle halten.

- f. **Tragen Sie geeignete Kleidung. Tragen Sie keine weite Kleidung oder Schmuck. Halten Sie Haare, Kleidung und Handschuhe von sich bewegenden Teilen fern.** Lockere Kleidung, Schmuck oder lange Haare können von sich bewegenden Teilen erfasst werden.
- g. **Falls Vorrichtungen zum Absaugen oder Auffangen von Staub vorhanden sind, vergewissern Sie sich, dass diese angeschlossen sind und richtig verwendet werden.** Diese Vorrichtungen verringern Gefährdungen durch Staub.
4. **Gebrauch und Pflege von Geräten**
- a. **Überlasten Sie das Gerät nicht. Verwenden Sie das für Ihre Arbeit passende Gerät.** Durch das Arbeiten in dem für das Gerät angegebenen Leistungsbereich erzielen Sie nicht nur optimale Ergebnisse, Sie erhöhen auch die Sicherheit.
- b. **Verwenden Sie das Gerät nicht, wenn der Ein-/Ausschalter nicht funktioniert.** Ein Gerät, das sich nicht mehr ein- oder ausschalten lässt, ist gefährlich und muss repariert werden.
- c. **Ziehen Sie den Stecker aus der Steckdose oder trennen Sie das Gerät vom Akku, bevor Sie Einstellungen vornehmen, Zubehörteile wechseln oder das Gerät weglegen.** Diese Vorsichtsmaßnahme verhindert den unbeabsichtigten Start des Gerätes.
- d. **Bewahren Sie unbenutzte Geräte außerhalb der Reichweite von Kindern auf. Lassen Sie Geräte nicht von Personen benutzen, die damit nicht vertraut sind oder diese Anweisungen nicht gelesen haben.** Geräte sind gefährlich, wenn sie von unerfahrenen Personen benutzt werden.
- e. **Halten Sie Geräte in einem einwandfreien Zustand. Kontrollieren Sie, ob bewegliche Teile falsch ausgerichtet sind oder klemmen und ob Teile gebrochen oder so beschädigt sind, dass die Funktion des Gerätes beeinträchtigt ist. Lassen Sie beschädigte Geräte vor dem Gebrauch reparieren.** Durch schlecht gewartete Geräte werden zahlreiche Unfälle verursacht.
- f. **Halten Sie Schneidwerkzeuge scharf und sauber.** Sorgfältig gepflegte Schneidwerkzeuge mit scharfen Schneidkanten verklemmen sich weniger und sind leichter zu führen.
- g. **Verwenden Sie Gerät, Zubehör, Einsätze usw. entsprechend diesen Anweisungen, und berücksichtigen Sie dabei die Arbeitsbedingungen und die auszuführende Arbeit.** Der Gebrauch von Geräten für andere als die vorgesehenen Anwendungen kann zu gefährlichen Situationen führen.

5. Service

- a. **Lassen Sie das Gerät nur von qualifiziertem Fachpersonal und nur mit Originalersatzteilen reparieren.** Damit wird gewährleistet, dass die Sicherheit des Gerätes erhalten bleibt.

Zusätzliche Sicherheitshinweise



Achtung! Zusätzliche Sicherheitshinweise für Heißluftpistolen.

Achtung! Das Gerät ist ausschließlich für die Verwendung im Innenbereich geeignet.

Achtung! Dieses Gerät darf nicht von Personen (einschließlich Kindern) mit eingeschränkten körperlichen, sensorischen oder geistigen Fähigkeiten sowie mangelnder Erfahrung oder mangelndem Wissen in Bezug auf dessen Gebrauch bedient werden, es sei denn, sie werden bei der Verwendung des Geräts von einer erfahrenen Person beaufsichtigt oder angeleitet.

Achtung! Kinder müssen beaufsichtigt werden, um sicherzustellen, dass sie nicht mit dem Gerät spielen.

Achtung! Wenn das Gerät nicht benutzt wird, muss es auf dem vorgesehenen Ständer abgestellt werden.

Achtung! Wenn das Gerät nicht mit Sorgfalt verwendet wird, kann es einen Brand auslösen. Verwenden Sie das Gerät nur mit äußerster Vorsicht an Orten mit brennbaren Materialien;

- ◆ Halten Sie die heiße Luft nicht für längere Zeit an dieselbe Stelle gerichtet;
- ◆ Verwenden Sie das Gerät nicht in explosionsgefährdeter Umgebung;
- ◆ Denken Sie daran, dass die Hitze zu brennbaren Materialien weitergeleitet werden kann, die sich nicht in Sichtweite befinden;
- ◆ Stellen Sie das Gerät nach Gebrauch auf seinen Ständer, und lassen Sie es vor der Aufbewahrung abkühlen.
- ◆ Lassen Sie das eingeschaltete Gerät niemals unbeaufsichtigt.
- ◆ Verdecken Sie nicht die Lufteinlassschlitze oder das Abluftventil, da dies zu einem Heißluftstau und in der Folge zu Schäden am Gerät führen kann.
- ◆ Richten Sie den Heißluftstrom nicht auf andere Personen oder Tiere.
- ◆ Berühren Sie nicht die Düse. Diese wird während des Betriebs sehr heiß und bleibt auch nach dem Betrieb noch bis zu 30 Minuten heiß.
- ◆ Die Düse darf während des Betriebs oder nach Betrieb keine Gegenstände berühren.
- ◆ Stecken Sie nichts in die Düse, da Sie einen elektrischen Schlag bekommen könnten.

- ◆ Schauen Sie nicht in die Düse, wenn das Gerät eingeschaltet ist.
- ◆ Verwenden Sie das Gerät nicht als Haartrockner! Die Lufttemperatur ist sehr viel höher, als die eines Haartrockners.
- ◆ Achten Sie während des Betriebs auf gute Belüftung, da giftige Dämpfe entstehen könnten.
- ◆ Betreiben Sie das Gerät nie in feuchter Umgebung.
- ◆ Entfernen Sie Farbe nur in einem geschlossenen Arbeitsbereich. Tragen Sie eine speziell für den Schutz vor Staub und Dämpfen von bleihaltiger Farbe vorgesehene Staubmaske, und stellen Sie sicher, dass auch andere Personen geschützt sind, die den Arbeitsplatz betreten oder sich dort aufhalten.
- ◆ Verbrennen Sie nicht Farben, da dies zu Brandgefahr führen kann.
- ◆ Achten Sie darauf, dass keine Farbe an der Düse kleben bleibt, da sie sich nach einiger Zeit entzünden könnte.
- ◆ Schalten Sie das Gerät aus, und lassen Sie es abkühlen, bevor Sie Zubehör anbringen.

Entfernen von bleihaltiger Farbe

- ◆ Beim Entfernen von Farbe ist höchste Vorsicht geboten. Farbsplitter, -überreste und -dämpfe können giftiges Blei enthalten. Gebäude, die vor 1960 erbaut wurden, wurden möglicherweise mit bleihaltiger Farbe gestrichen. Auf dieser Farbe könnten sich weitere Farbschichten befinden. Bei Ablagerung auf Oberflächen kann der Kontakt von den Händen zum Mund zur Aufnahme von Blei führen.
- ◆ Belastungen durch selbst niedrige Bleiwerte können irreversible Schäden in Gehirn und im Nervensystem hervorrufen. Am gefährlichsten sind Bleivergiftungen bei Kindern und Schwangeren.
- ◆ Bevor Sie mit dem Arbeitsvorgang beginnen, muss festgestellt werden, ob die zu entfernende Farbe Blei enthält. Dies kann mithilfe eines Testsatzes oder durch einen professionellen Malermeister festgestellt werden. Rauchen, trinken oder essen Sie nicht in einem Arbeitsbereich, der möglicherweise bleiverseucht ist. Farben auf Bleibasis sollten nur von einem Fachmann entfernt werden und nicht mithilfe einer Heißluftpistole.

Warnsymbole



Lesen Sie diese Anleitung vollständig und aufmerksam durch, bevor Sie das Gerät verwenden.

Elektrische Sicherheit



Das Produkt ist schutzisoliert, daher ist keine Erdleitung erforderlich. Überprüfen Sie immer, ob die Netzspannung der auf dem Typenschild des Geräts angegebenen Spannung entspricht.

- ◆ Ist das Netzkabel beschädigt, muss es durch den Hersteller oder eine Black & Decker Vertragswerkstatt ausgetauscht werden, um eine mögliche Gefährdung zu vermeiden.

Verlängerungskabel

- ◆ Ein zwei- oder dreiadriges Kabel kann verwendet werden, da das Gerät schutzisoliert ist und es sich um ein Produkt der Klasse 2 handelt.
- ◆ Bis 30 m Kabellänge treten keine Leistungsverluste auf.

Merkmale

1. Düse
2. Lufteinlassöffnungen
3. Drehgriffverriegelung
4. Heißluftschalter (ein/aus)
5. Aufhängelasche
6. Ständer
7. Hitzeschutz

Abb. A

10. Black & Decker Düse

Abb. G bis J

12. Schlitzdüse
13. Glasschutzdüse
14. Reflektordüse
15. Spitzdüse
16. Handschaber

Montage (Abb. A und B)

Achtung! Vergewissern Sie sich vor der Montage, dass das Gerät ausgeschaltet und von der Stromversorgung getrennt ist.

Achtung! Vergewissern Sie sich vor der Montage oder dem Entfernen von Zubehör, dass das Gerät ausgeschaltet und abgekühlt ist.

Die Heißluftpistole ist mit einem integrierten Black & Decker Schaber ausgestattet.

- ◆ Bringen Sie den Schlitz des Schabers (9) und die Erhöhung der Halterung (10) zur Deckung, und montieren Sie die Halteschraube (8).

Hinweis: Vergewissern Sie sich, dass sich das Loch im Schaber (9) auf der linken Seite der Schraube (8) in der Schaberhalterung (10) befindet.

- ◆ Ziehen Sie die Halteschraube (8) fest.

- ◆ Setzen Sie die Schaberhalterung (10) auf den Düsenauslass (1) auf. Überprüfen Sie die korrekte Ausrichtung der Halterung: Die kleine Ausbuchtung in der Schaberhalterung (10) passt in die Aussparung an der Düse.
- ◆ Ziehen Sie die Klemmschraube (11) der Schaberhalterung fest.

Ihre Heißluftpistole wird außerdem mit folgenden vier Düsen geliefert (nur KX1693). Es wird empfohlen, stets Düsen zu verwenden.

Schlitzdüse (12) – optimal zum Entfernen von Farbe oder Lack von großen, flachen Oberflächen.

Spitzdüse (15) – bündelt die Heißluft auf einen kleinen Bereich.

Reflektordüse (14) – verteilt die Heißluft gleichmäßig um das gesamte Objekt.

Glasschutzdüse (13) – schützt Glas beim Entfernen von Farbe.

- ◆ Setzen Sie das Verbindungsstück des Zubehörs auf die Düse (1) auf.

Im Lieferumfang des Geräts ist außerdem ein Handschaber für das Entfernen von Farbe oder Lack enthalten.

Drehgriff (Abb. C)

Die Heißluftpistole ist ein vielseitig einsetzbares Gerät mit einem Drehgriff, der verschiedene Anwendungen ermöglicht. Sie können das Gerät entweder mit Pistolengriff (a) oder einem geraden Griff (b) verwenden.

- ◆ Wechseln Sie zwischen diesen beiden Positionen, indem Sie die Griffverriegelung (3) herunterdrücken und den Griff um 180° drehen.

Gebrauch

Betrieb der Heißluftpistole (Abb. D)

- ◆ Schalten Sie die Heißluftpistole ein, indem Sie den Heißluftschalter (4) auf die Position 1, 2 oder 3 schieben (Position 3 ist nur für KX1693 verfügbar).

Hinweis: Die verschiedenen Positionen geben die Hitzeeinstellungen gemäß der technischen Daten in der Tabelle am Ende dieser Anleitung an.

- ◆ Schalten Sie die Heißluftpistole aus, indem Sie den Heißluftschalter (4) zurück auf 0 (Aus) stellen.

Verwenden des Geräts

- ◆ Das Gerät benötigt vor dem Einsatz einige Sekunden, um die volle Hitze zu entwickeln.

Hinweis: Bei der ersten Inbetriebnahme tritt an der Düse möglicherweise ein wenig Rauch aus. Dies ist normal und nicht von Dauer.

- ◆ **Niedrig** – verwenden Sie diese Einstellung zum Trocknen von Farbe oder Lack, zum Entfernen von Aufklebern, zum Einschrumpfen von Isolationsrohren und zum Auftauen gefrorener Rohre.
- ◆ **Mittel** (KX1693) – mit dieser Einstellung können Sie Kunststoffe zusammenschweißen, Plastikrohre biegen sowie Schrauben und Schraubenmutter lösen.
- ◆ **Hoch** – mit hohen Temperaturen können Sie Farbe und Lack entfernen sowie Rohranschlussstücke verlöten.

Wenn Sie nicht sicher sind, welche Temperatur Sie für ein bestimmtes Material verwenden sollen, testen Sie das Gerät an Materialresten, und beginnen Sie mit einer niedrigen Temperatur.

Entfernen des Hitzeschutzes

Für Arbeiten in besonders enger Umgebung kann der Hitzeschutz (7) entfernt werden.

Achtung! Vergewissern Sie sich vor dem Entfernen des Hitzeschutzes, dass das Gerät ausgeschaltet und abgekühlt ist.

Achtung! Bei Arbeiten ohne Hitzeschutz besteht ein erhöhtes Risiko von Verbrennungen.

- ◆ Entfernen Sie den Hitzeschutz (7), indem Sie ihn gegen den Uhrzeigersinn drehen und von der Heißluftpistole abnehmen.
- ◆ Montieren Sie den Hitzeschutz (7) an der Heißluftpistole, indem Sie ihn aufsetzen und durch Drehen im Uhrzeigersinn arretieren.

Freihandanwendung (Abb. E)

Achtung! Richten Sie das Gerät niemals auf sich selbst oder andere Personen. Berühren Sie nicht die Düse. Achten Sie darauf, dass keine Substanzen in die Düse tropfen.

Die Heißluftpistole verfügt über einen Ständer (6), der eine Freihandanwendung ermöglicht.

- ◆ Drehen Sie den Griff der Heißluftpistole in die gerade Position (Abb. C b).
- ◆ Positionieren Sie die Heißluftpistole so auf einer Oberfläche, dass sie nicht umfallen kann.
- ◆ Achten Sie darauf, dass das Gerät nicht über das Kabel verschoben oder umgeworfen werden kann.

Entfernen von Farbe (Abb. G bis J)

Hinweis: Die in den Abb. G bis J dargestellten Düsen sind nur im Lieferumfang des Geräts KX1693 enthalten.

Achtung! Richten Sie das Gerät niemals auf sich selbst oder andere Personen. Berühren Sie nicht die Düse. Achten Sie darauf, dass keine Substanzen in die Düse tropfen.

- ◆ Richten Sie die Heißluft auf den Arbeitsbereich, um die Farbe zu erhitzen.

- ◆ Achten Sie darauf, die Farbe nicht zu verbrennen. Die Düse sollte mindestens 25 mm von der Oberfläche entfernt sein.
- ◆ Wenn die Farbe aufweicht, entfernen Sie sie mit einem Schaber. Wenn Sie die aufgeweichte Farbe nicht sofort entfernen, verhärtet diese wieder.
- ◆ Schaben Sie, wenn möglich, stets mit der Holzfläche.
- ◆ Achten Sie darauf, dass sich weder Farb- noch Materialreste auf dem Schaber ansammeln.
- ◆ Schaben Sie an senkrechten Flächen stets unterhalb des Geräts, damit keine Farbreste in die Düse gelangen.
- ◆ Wenn Sie Farbe von einer Fläche mit einer angrenzenden Glasfläche entfernen, müssen Sie das Glas vor der Hitze schützen.

Achtung! Verwenden Sie beim Entfernen von Farbe von Fensterrahmen aus Holz oder Metall eine Glasschutzdüse.

- ◆ Entsorgen Sie nach der Arbeit die Farbreste fachgerecht, und reinigen Sie den Arbeitsbereich gründlich.

Abkühlen (Abb. F)

Bei Verwendung der Heißluftpistole wird die Düse extrem heiß.

- ◆ Hängen Sie die Heißluftpistole nach der Verwendung an der Aufhänglasche (5) auf, oder verwenden Sie den Ständer (6), wie unter „Freihandanwendung“ beschrieben.
- ◆ Lassen Sie das Gerät mindestens 30 Minuten abkühlen.
- ◆ Sie können das Abkühlen beschleunigen, indem Sie vor Ausschalten des Geräts für einige Minuten die niedrigste Temperatureinstellung einschalten.

Wartung

Ihr Black & Decker Gerät wurde im Hinblick auf eine lange Lebensdauer und einen möglichst geringen Wartungsaufwand entwickelt. Für dauerhaften einwandfreien Betrieb ist eine regelmäßige Pflege und Reinigung des Geräts erforderlich.

Achtung! Schalten Sie das Gerät aus, ziehen Sie den Netzstecker, und lassen Sie das Gerät abkühlen, bevor Sie mit der Wartung beginnen.

- ◆ Reinigen Sie regelmäßig die Lüftungsschlitze des Geräts mit Hilfe einer weichen Bürste oder eines trockenen Tuchs.

- ◆ Reinigen Sie das Gerät ausschließlich mit milder Seifenlösung und einem angefeuchteten Tuch. Verwenden Sie keine scheuernden Reinigungsmittel oder Reinigungsmittel auf Lösungsmittelbasis. Achten Sie darauf, dass keine Flüssigkeit in das Gerät gelangt. Tauchen Sie keinen Teil des Gerätes in Flüssigkeit ein.

Umweltschutz



Getrennte Entsorgung. Dieses Produkt darf keinesfalls mit dem Hausmüll entsorgt werden.

Sollten Sie Ihr Black & Decker Produkt eines Tages ersetzen oder nicht mehr benötigen, entsorgen Sie es nicht mit dem Hausmüll, sondern führen Sie das Produkt einer getrennten Sammlung zu.



Durch die separate Sammlung von ausgedienten Produkten und Verpackungsmaterialien können Rohstoffe recycelt und wiederverwendet werden. Die Wiederverwendung aufbereiteter Materialien trägt zur Vermeidung der Umweltverschmutzung bei und senkt den Rohstoffbedarf.

Die Verordnung zur Abfallentsorgung Ihrer Gemeinde sieht möglicherweise vor, dass Elektrogeräte getrennt vom Hausmüll gesammelt, an der örtlichen Abfallentsorgungseinrichtung abgegeben oder beim Kauf eines neuen Produkts vom Fachhandel zur Entsorgung angenommen werden müssen.

Black & Decker nimmt Ihre ausgedienten Black & Decker Geräte gern zurück und sorgt für eine umweltfreundliche Entsorgung bzw. Wiederverwertung. Um diese Dienstleistung in Anspruch zu nehmen, geben Sie das Gerät bitte bei einer autorisierten Reparaturwerkstatt ab, die für uns die Einsammlung übernimmt.

Die Adresse der zuständigen Niederlassung von Black & Decker steht in dieser Anleitung. Diese teilt Ihnen gerne die nächstgelegene Vertragswerkstatt mit. Außerdem ist eine Liste der Vertragswerkstätten und aller Kundendienststellen von Black & Decker sowie der zuständigen Ansprechpartner im Internet zu finden unter: www.2helpU.com.

Technische Daten

	KX1692	KX1693
Spannung	VAC 230/240	230/240
Konstruktion	Klasse II	Klasse II
Leistungsaufnahme	W 1600	1800
Temperaturbereich	°C 140 - 560	140 - 560
Schalterposition	1 140°C	140°C
Schalterposition	2 560°C	380°C
Schalterposition	3 N/V	560°C
Gewicht	kg 0,75	0,75

Garantie

Black & Decker vertraut auf die Qualität der eigenen Geräte und bietet dem Käufer eine außergewöhnliche Garantie.

Diese Garantiezusage versteht sich unbeschadet der gesetzlichen Gewährleistungsansprüche und schränkt diese keinesfalls ein. Sie gilt in sämtlichen Mitgliedstaaten der Europäischen Union und der Europäischen Freihandelszone EFTA.

Tritt innerhalb von 24 Monaten ab Kaufdatum an einem Gerät von Black & Decker ein auf Material- oder Verarbeitungsfehler bzw. auf Nichterfüllung von Normen zurückzuführender Mangel auf, garantiert Black & Decker den Austausch defekter Teile, die Reparatur von Geräten mit üblichem Verschleiß bzw. den Austausch eines mangelhaften Geräts, ohne den Kunden dabei mehr als unbedingt nötig in Anspruch zu nehmen, allerdings vorbehaltlich folgender Ausnahmen:

- ◆ wenn das Gerät gewerblich, beruflich oder im Verleihgeschäft benutzt wurde;
- ◆ wenn das Gerät missbräuchlich verwendet oder mit mangelnder Sorgfalt behandelt wurde;
- ◆ wenn das Gerät durch irgendwelche Fremdeinwirkung beschädigt wurde;
- ◆ wenn ein unbefugter Reparaturversuch durch anderes Personal als das einer Vertragswerkstatt oder des Black & Decker Kundendienstes unternommen wurde.

Zur Inanspruchnahme dieser Garantie ist dem Verkäufer bzw. der Vertragswerkstatt ein Kaufnachweis vorzulegen. Die Adresse der zuständigen Niederlassung von Black & Decker steht in dieser Anleitung. Diese teilt Ihnen gerne die nächstgelegene Vertragswerkstatt mit. Außerdem ist eine Liste der Vertragswerkstätten und aller Kundendienststellen von Black & Decker sowie der zuständigen Ansprechpartner im Internet zu finden unter:

www.2helpU.com

Bitte besuchen Sie unsere Webseite www.blackanddecker.de um Ihr neues Black & Decker-Produkt zu registrieren. Dort erhalten Sie auch Informationen über neue Produkte und Sonderangebote. Weitere Informationen über die Marke Black & Decker und unsere Produkte finden Sie unter www.blackanddecker.de

Utilisation

Votre pistolet à air chaud Black & Decker est destiné aux travaux nécessitant un apport de chaleur, comme le décapage de peinture. Ce produit a été conçu pour une utilisation exclusivement domestique. Il ne peut être utilisé qu'à l'intérieur.

Consignes de sécurité

Consignes générales de sécurité



Attention ! Lisez avec attention tous les avertissements et toutes les instructions.

Le non-respect de cette consigne peut entraîner une électrocution, un incendie et/ou de graves blessures.

Conservez tous les avertissements et instructions pour référence ultérieure.

La notion d'« outil électroportatif » mentionnée par la suite se rapporte à des outils électriques raccordés au secteur (avec câble de raccordement) ou fonctionnant avec batterie (sans fil).

1. **Sécurité de la zone de travail**
 - a. **Maintenez la zone de travail propre et bien éclairée.**
Un lieu de travail en désordre ou mal éclairé augmente le risque d'accidents.
 - b. **N'utilisez pas les outils électroportatifs dans un environnement présentant des risques d'explosion ni en présence de liquides, gaz ou poussières inflammables.** Les outils électroportatifs génèrent des étincelles risquant d'enflammer les poussières ou les vapeurs.
 - c. **Pendant l'utilisation d'un outil électroportatif, les enfants et autres personnes doivent rester éloignés.** En cas d'inattention, vous risquez de perdre le contrôle de l'outil.
2. **Sécurité électrique**
 - a. **La prise de l'outil électroportatif doit convenir à la prise de courant. Ne modifiez en aucun cas la prise. N'utilisez pas de prises d'adaptateur avec des appareils ayant une prise de terre.** Le respect de ces consignes réduit le risque de choc électrique.
 - b. **Évitez le contact physique avec des surfaces mises à la terre telles que tuyaux, radiateurs, fours et réfrigérateurs.** Le risque de choc électrique augmente si votre corps est relié à la terre.
 - c. **N'exposez pas l'outil électroportatif à la pluie ni à l'humidité.** La pénétration d'eau dans un outil électroportatif augmente le risque de choc électrique.
 - d. **Préservez le câble d'alimentation. N'utilisez pas le câble pour porter l'outil, pour l'accrocher ou encore pour le débrancher. Maintenez le câble éloigné des sources de chaleurs, des parties huilées, des bords tranchants ou des parties de l'appareil en rotation.** Le risque de choc électrique augmente si les câbles sont endommagés ou emmêlés.
 - e. **Si vous utilisez l'outil électroportatif à l'extérieur, utilisez une rallonge homologuée pour utilisation à l'air libre.** L'utilisation d'une rallonge électrique homologuée pour les travaux à l'extérieur réduit le risque de choc électrique.
 - f. **Si l'outil doit être utilisé dans un endroit humide, prenez les précautions nécessaires en utilisant un dispositif à courant résiduel (RCD).** L'utilisation d'un tel dispositif réduit les risques d'électrocution.
3. **Sécurité personnelle**
 - a. **Restez vigilant, surveillez ce que vous faites. Faites preuve de bon sens quand vous utilisez un outil électroportatif. N'utilisez pas l'outil lorsque vous êtes fatigué ou après avoir consommé de l'alcool ainsi que des médicaments.** Un moment d'inattention lors de l'utilisation de l'outil peut entraîner de graves blessures.
 - b. **Portez un équipement de protection. Portez toujours des lunettes de protection.** Selon le travail à effectuer, le port d'équipement de protection tels que masque anti-poussières, chaussures de sécurité antidérapantes, casque ou protection auditive, réduit le risque de blessures.
 - c. **Évitez un démarrage imprévu. L'appareil doit être en position OFF (arrêt) avant d'effectuer le branchement à l'alimentation et/ou au bloc-batterie, de le ramasser ou de le porter.** Ne laissez pas votre doigt sur le bouton de commande, ceci peut être à l'origine d'accidents.
 - d. **Retirez tout outil ou clé de réglage avant de mettre l'outil en marche.** Une clé ou un outil se trouvant sur une partie en rotation peut causer des blessures.
 - e. **Adoptez une position confortable. Adoptez une position stable et gardez votre équilibre en permanence.** Vous contrôlerez ainsi mieux l'outil dans des situations inattendues.
 - f. **Portez des vêtements appropriés. Ne pas porter de vêtements flottants ou de bijoux. N'approchez pas les cheveux, vêtements ou gants des parties des pièces mobiles.** Les vêtements amples, les bijoux ou les cheveux longs peuvent être attrapés dans les pièces en mouvement.

- g. En cas d'utilisation d'appareils servant à aspirer ou à recueillir les poussières, assurez-vous qu'ils sont correctement raccordés et utilisés.** L'utilisation de tels appareils permet de réduire les dangers liés aux poussières.
- 4. Utilisation des outils électroportatifs et précautions**
- a. Respectez la capacité de l'outil. Utilisez l'outil électroportatif approprié pour le travail à effectuer.** Avec un outil approprié, vous travaillerez mieux et en toute sécurité.
- b. N'utilisez pas un outil électroportatif dont l'interrupteur marche/arrêt est défectueux.** Un outil électroportatif qui ne peut plus être mis en marche ou arrêté est dangereux et doit être réparé.
- c. Retirez la prise de courant et/ou débranchez le bloc-batterie avant d'effectuer des réglages, de changer les accessoires ou de ranger l'outil.** Cette mesure de précaution empêche de mettre l'outil en marche accidentellement.
- d. Rangez les outils électroportatifs hors de portée des enfants. Les personnes ne connaissant pas l'outil ou n'ayant pas lu ces instructions ne doivent en aucun cas l'utiliser.** Les outils électroportatifs sont dangereux lorsqu'ils sont utilisés par des personnes non initiées.
- e. Prenez soin des outils électroportatifs. Vérifiez que les parties en mouvement fonctionnent correctement et qu'elles ne sont pas coincées. Vérifiez qu'il n'y a pas de pièces cassées ou endommagées susceptibles de nuire au bon fonctionnement de l'outil. S'il est endommagé, faites réparer l'outil avant de l'utiliser.** De nombreux accidents sont la conséquence d'outils mal entretenus.
- f. Maintenez les outils de coupe aiguisés et propres.** Des outils soigneusement entretenus avec des bords tranchants bien aiguisés se coincent moins souvent et peuvent être guidés plus facilement.
- g. Utilisez les outils électroportatifs, les accessoires, etc. en suivant ces instructions et en tenant compte des conditions de travail, ainsi que du travail à effectuer.** L'utilisation des outils électroportatifs à d'autres fins que celles prévues peut vous mettre en situation dangereuse.
- 5. Réparations**
- h. Faites réparer votre outil électroportatif uniquement par du personnel qualifié et seulement avec des pièces de rechange d'origine.** La fiabilité de l'outil sera ainsi garantie.

Consignes de sécurité supplémentaires



Attention ! Consignes de sécurité supplémentaires pour l'utilisation des pistolets à air chaud.

Attention ! N'utilisez qu'à l'intérieur.

Attention ! Cet appareil ne doit pas être utilisé par des personnes (y compris les enfants) ayant des déficiences physiques, mentales ou sensorielles. Cette consigne s'applique aussi aux personnes manquant d'expérience et de connaissance du matériel, à moins que celles-ci n'aient reçu les instructions appropriées ou ne soient encadrées par une personne responsable de leur sécurité pour utiliser l'appareil.

Attention ! Ne laissez jamais les enfants sans surveillance pour éviter qu'ils ne jouent avec cet appareil.

Attention ! Cet appareil doit être placé sur le support quand il n'est pas utilisé.

Attention ! Un feu peut se produire si l'appareil n'est pas utilisé avec précaution. Il faut donc vérifier s'il y a des matériaux combustibles dans la zone de travail.

- ◆ Ne chauffez pas le même endroit sur une longue période.
- ◆ N'utilisez pas l'appareil dans un environnement où il y a risque d'explosion.
- ◆ N'oubliez pas que la chaleur peut atteindre les matériaux combustibles non visibles.
- ◆ Placez l'appareil sur son support après l'utilisation et laissez-le refroidir avant de le ranger.
- ◆ Ne laissez pas l'appareil sans surveillance quand il est en marche.
- ◆ Ne bouchez pas les fentes d'aération ou l'embout. L'appareil risque d'être endommagé par l'accumulation de chaleur excessive.
- ◆ N'orientez jamais l'air chaud vers des animaux ou des personnes.
- ◆ Ne touchez en aucun cas l'embout, il peut être très chaud et le rester pendant plus de 30 minutes après l'utilisation.
- ◆ Ne placez pas l'embout contre un objet pendant l'utilisation ou immédiatement après.
- ◆ N'introduisez aucun élément dans l'embout, il y a risque de choc électrique.
- ◆ Ne regardez pas dans l'embout quand il est en marche.
- ◆ N'utilisez pas l'appareil comme un sèche-cheveux ! La température qu'il dégage est nettement supérieure.
- ◆ Aérez correctement pendant l'utilisation. Des gaz toxiques peuvent s'évaporer.
- ◆ Ne l'exposez pas à l'humidité.

- ◆ Pour décaper la peinture, travaillez dans un endroit clos. Portez un masque contre la poussière spécialement conçu pour vous protéger de la peinture au plomb, des sciures et des vapeurs toxiques et veillez à ce que les personnes se trouvant à l'intérieur de la zone de travail ou y pénétrant soient également protégées.
- ◆ Ne brûlez pas la peinture, elle pourrait prendre feu.
- ◆ Ne laissez pas la peinture adhérer à l'embout, elle pourrait s'enflammer au bout d'un certain temps.
- ◆ Avant de rajouter un accessoire, éteignez l'appareil et laissez-le refroidir.

Décapage de peinture au plomb

- ◆ Toutes les précautions doivent être prises pour décaper la peinture. Les écailles, les restes et les vapeurs de peinture peuvent contenir du plomb, ce qui est toxique. Tous les bâtiments construits avant 1960 peuvent avoir été peints avec de la peinture contenant du plomb. Cette peinture peut être recouverte de couches supplémentaires. Si vous posez vos mains sur les surfaces peintes, ne les portez pas à la bouche. Il y a risque de contamination par ingestion.
- ◆ Les expositions au plomb, même à faible niveau, peuvent causer des troubles neurologiques. Le danger est plus grand auprès des enfants et des femmes enceintes.
- ◆ Avant de commencer à décaper, il est important de déterminer si la peinture contient du plomb. Utilisez un kit d'essai ou demandez à un décorateur professionnel de vérifier. Ne fumez pas, ne mangez pas ou ne buvez pas dans des lieux contaminés par le plomb. Seuls des professionnels sont habilités à décaper la peinture à base de plomb. Le pistolet à air chaud ne peut être utilisé pour ce travail.

Étiquettes



Lisez attentivement et entièrement le manuel avant d'utiliser votre appareil.

Sécurité électrique



Cet appareil est doublement isolé. Par conséquent, aucun câble de terre n'est nécessaire. Vérifiez si la tension mentionnée sur la plaque signalétique de l'appareil correspond bien à la tension de réseau présente sur le lieu.

- ◆ Si le câble d'alimentation est endommagé, il doit être remplacé par le fabricant ou par un centre de réparation agréé Black & Decker pour éviter tout risque.

Rallonges

- ◆ Un câble bifilaire ou trifilaire doit être utilisé, l'appareil étant doublement isolé et de classe II.
- ◆ Une longueur de 30 m peut être utilisée sans perte de puissance.

Options

1. Embout
2. Fentes d'aération
3. Bouton de pivotement de poignée
4. Bouton de réglage de chaleur (marche/arrêt)
5. Crochet d'accrochage
6. Support
7. Protection

Figure A

10. Embout Black & Decker

Figure G - J

12. Embout plat
13. Embout de protection pour le verre
14. Embout réflecteur
15. Embout conique
16. Grattoir manuel

Assemblage (figure A et B)

Attention ! Avant l'assemblage, assurez-vous que l'appareil est éteint et débranché.

Attention ! Assurez-vous que l'appareil est éteint et froid avant de raccorder ou de retirer les accessoires.

Votre pistolet à air chaud possède un grattoir Black & Decker intégré.

- ◆ Alignez la fente de la lame du grattoir (9) avec la partie proéminente sur le support de la lame (10) et posez-le sous la vis de fixation (8).

Remarque : assurez-vous que le trou dans le grattoir (9) est à gauche de la vis (8) dans le support de lame (10).

- ◆ Serrez la vis de fixation (8).
- ◆ Placez le support de lame (10) sur l'embout (1). Vérifiez l'alignement. La petite bosse à l'intérieur du support de lame (10) s'enclenche dans la fente de l'embout.
- ◆ Serrez la vis du support de lame (11).

Votre pistolet à air chaud (KX1693 uniquement) est aussi équipé des quatre embouts suivants. Pour un meilleur résultat, il est recommandé de toujours utiliser les embouts.

Embout plat (12) – Idéal pour retirer la peinture ou le vernis sur les grandes surfaces.

Embout conique (15) – Restreint le jet d'air sur une petite zone.

Embout réflecteur (14) – Évacue l'air régulièrement autour de tout l'objet.

Embout de protection pour le verre (13) – Protège le verre pendant le décapage de la peinture.

- ◆ Posez le raccord de l'accessoire sur l'embout (1).

Un grattoir manuel est aussi fourni avec votre appareil pour décapier la peinture et le vernis.

Poignée double position (figure C)

L'utilisation de votre appareil est facile grâce à la poignée double position qui peut être utilisée dans diverses applications. Elle est conçue pour être utilisée en mode « pistolet » (a) ou « droit » (b).

- ◆ Pour passer d'une position à l'autre, appuyez sur le bouton de pivotement de poignée (3) et tournez la poignée de 180 degrés.

Utilisation

Fonctionnement de votre pistolet à air chaud (figure D)

- ◆ Pour mettre le pistolet à air chaud en marche, poussez le bouton de réglage de chaleur (4) vers l'avant à la position 1, 2 ou 3 (la position 3 uniquement pour le KX1693).

Remarque : ces chiffres représentent les réglages de chaleur décrits dans les données techniques à la fin du manuel.

- ◆ Pour arrêter le pistolet à air chaud, repoussez le bouton de réglage de chaleur (4) vers la position (O).

Utilisation de l'appareil

- ◆ Laissez l'appareil chauffer pendant quelques secondes avant l'utilisation.

Remarque : à la première utilisation, il peut y avoir de la fumée. Ceci est un phénomène normal qui disparaît avec le temps.

- ◆ **Faible** - utilisez ce réglage pour sécher la peinture et le vernis, retirer les autocollants, rétrécir les tuyaux d'isolation et chauffer les tuyaux gelés.
- ◆ **Moyen** (KX1693) – utilisez ce réglage pour ramollir le plastique, tordre les tuyaux en plastique et desserrer les écrous et les vis de serrage.
- ◆ **Élevé** - utilisez ce réglage pour retirer la peinture et la laque, et pour souder les raccords de plombage.

Si vous avez des doutes pour un matériau particulier, commencez par le réglage faible et effectuez un essai sur un échantillon.

Retrait de la protection

Pour les travaux dans des endroits très étroits, il est possible de retirer la protection (7).

Attention ! Assurez-vous que l'appareil est éteint et froid avant de raccorder ou de retirer la protection.

Attention ! Il y a plus de risque de brûlures en travaillant sans la protection.

- ◆ Retirez la protection (7) du pistolet à air en la tournant dans le sens contraire des aiguilles d'une montre.
- ◆ Réinstallez la protection (7) au pistolet à air en la tournant dans le sens des aiguilles d'une montre.

Utilisation mains-libres (figure E)

Attention ! N'orientez jamais l'appareil vers vous ou vers les autres. Ne touchez pas l'embout. Faites attention de ne laisser aucun matériau entrer dans l'embout.

Le pistolet à air a un support (6) qui permet son utilisation mains-libres.

- ◆ Installez le pistolet en mode « droit » (figure C b).
- ◆ Placez le pistolet à air chaud sur une surface stable pour qu'il ne tombe pas.
- ◆ Placez le câble de façon à ce que l'appareil ne tombe pas.

Décapage de peinture (figure G - J)

Remarque : les embouts, figure G à J sont fournis avec le KX1693 uniquement.

Attention ! N'orientez jamais l'appareil vers vous ou vers les autres. Ne touchez pas l'embout. Faites attention de ne laisser aucun matériau entrer dans l'embout.

- ◆ Dirigez l'air chaud sur la zone de travail pour chauffer la peinture.
- ◆ Ne brûlez pas la peinture. Gardez l'embout à au moins 25 mm de la surface.
- ◆ Quand la peinture se ramollit, retirez-la avec un grattoir. Grattez immédiatement la peinture ramollie car elle durcit rapidement.
- ◆ Grattez dans le sens du bois quand cela est possible.
- ◆ Ne laissez pas la peinture ou les débris s'accumuler sur le grattoir.
- ◆ Pour le décapage vertical, grattez vers le bas pour que la peinture ne tombe pas dans l'embout.
- ◆ Pour le décapage près d'une surface en verre, prenez les mesures nécessaires pour protéger le verre de la chaleur.

Attention ! Utilisez un embout protecteur pour le verre pour le décapage des fenêtres dont l'encadrement est en verre ou en métal.

- ◆ Mettez au rebut tous les débris et assurez-vous que la zone de travail est complètement propre après l'utilisation.

Refroidissement (figure F)

Pendant l'utilisation, l'embout devient extrêmement chaud.

- ◆ Après avoir éteint l'appareil, accrochez-le sur le crochet (5) ou posez-le sur le support (6), comme décrit dans la rubrique sur l'utilisation mains-libres.

- ◆ Laissez l'appareil refroidir pendant au moins 30 minutes.
- ◆ Pour accélérer le refroidissement, faites fonctionner l'appareil sur le réglage minimum pendant quelques minutes avant de l'arrêter.

Entretien

Votre appareil Black & Decker a été conçu pour fonctionner pendant longtemps avec un minimum d'entretien. Un fonctionnement satisfaisant dépend d'un nettoyage régulier et d'un entretien approprié.

Attention **P**réalablement à toute opération d'entretien, éteignez et débranchez l'appareil et laissez-le refroidir.

- ◆ Nettoyez régulièrement les orifices de ventilation de votre appareil à l'aide d'une brosse souple ou d'un chiffon sec.
- ◆ Pour nettoyer l'outil, utilisez exclusivement du savon doux et un chiffon humide. N'utilisez pas de produit abrasif ou à base de solvant. Évitez toute pénétration de liquide dans l'appareil et ne plongez aucune pièce dans du liquide.

Protection de l'environnement



Recyclage. Cet appareil ne doit pas être jeté avec les déchets ménagers.

Si votre appareil Black & Decker doit être remplacé ou si vous n'en avez plus l'usage, ne le jetez pas avec les ordures ménagères. Songez à la protection de l'environnement et recyclez-les.



La collecte séparée des produits et des emballages usagés permet de recycler et de réutiliser des matériaux. La réutilisation de matériaux recyclés évite la pollution de l'environnement et réduit la demande de matières premières.

Des réglementations locales peuvent stipuler la collecte séparée des produits électriques et des produits ménagers, dans des déchetteries municipales ou par le revendeur lorsque vous achetez un nouveau produit.

Black & Decker offre une solution permettant de recycler les produits Black & Decker lorsqu'ils ont atteint la fin de leur cycle de vie. Pour pouvoir profiter de ce service, veuillez retourner votre produit à un réparateur agréé qui se chargera de le collecter pour nous.

Pour connaître l'adresse du réparateur agréé le plus proche de chez vous, contactez le bureau Black & Decker à l'adresse indiquée dans ce manuel. Vous pourrez aussi trouver une liste de réparateurs agréés de Black & Decker et de plus amples détails concernant notre service après-vente sur le site Internet : www.2helpU.com.

Caractéristiques techniques

	KX1692	KX1693
Tension	V c.a. 230/240	230/240
Construction	Classe II	Classe II
Puissance absorbée	W 1600	1800
Plage de température	°C 140 - 560	140 - 560
Position du bouton	1 140 °C	140 °C
Position du bouton	2 560 °C	380 °C
Position du bouton	3 S/O	560 °C
Poids	kg 0,75	0,75

Garantie

Black & Decker vous assure la qualité de ses produits et vous offre une garantie très étendue. Ce certificat de garantie est un document supplémentaire et ne peut en aucun cas se substituer à vos droits légaux. La garantie est valable sur tout le territoire des États Membres de l'Union Européenne et de la Zone de Libre Échange Européenne.

Si un produit Black & Decker s'avère défectueux en raison de matériaux en mauvais état, d'une erreur humaine, ou d'un manque de conformité dans les 24 mois suivant la date d'achat, Black & Decker garantit le remplacement des pièces défectueuses, la réparation des produits usés ou cassés ou remplace ces produits à la convenance du client, sauf dans les circonstances suivantes :

- ◆ Le produit a été utilisé dans un but commercial, professionnel, ou a été loué.
- ◆ Le produit a été mal utilisé ou avec négligence.
- ◆ Le produit a subi des dommages à cause de corps étrangers, de substances ou d'accidents.
- ◆ Des réparations ont été tentées par des techniciens ne faisant pas partie du service technique de Black & Decker.

Pour avoir recours à la garantie, il est nécessaire de fournir une preuve d'achat au vendeur ou à un réparateur agréé. Pour connaître l'adresse du réparateur agréé le plus proche de chez vous, contactez le bureau Black & Decker à l'adresse indiquée dans ce manuel. Vous pourrez aussi trouver une liste de réparateurs agréés de Black & Decker et de plus amples détails sur notre service après-vente sur le site Internet à l'adresse suivante :

www.2helpU.com

Visitez notre site Web **www.blackanddecker.fr** pour enregistrer votre nouveau produit Black & Decker et être informé des nouveaux produits et des offres spéciales. Pour plus d'informations concernant la marque Black & Decker et notre gamme de produits, consultez notre site **www.blackanddecker.fr**.

Usò previsto

La pistola termica Black & Decker è stata ideata per varie applicazioni come la sverniciatura. Questo prodotto è stato progettato solo per uso individuale.

Istruzioni di sicurezza

Norme generiche di sicurezza



Attenzione! Leggere tutti gli avvisi di sicurezza e tutte le istruzioni. La mancata osservanza di tutte le istruzioni potrebbe causare scosse elettriche, incendi e/o infortuni gravi.

Conservare tutte le istruzioni e le avvertenze per futura consultazione.

Il termine "elettrotensile" che ricorre in tutte le avvertenze seguenti si riferisce ad utensili elettrici con o senza filo.

1. Sicurezza nella zona di lavoro

- a. **Mantenere pulita e bene illuminata l'area di lavoro.** Il disordine e la scarsa illuminazione possono causare incidenti.
- b. **Evitare d'impiegare gli elettrotensili in ambienti esposti al rischio di esplosione, ad esempio in presenza di liquidi, gas o polveri infiammabili.** Gli elettrotensili producono scintille che possono far infiammare la polvere o i fumi.
- c. **Mantenere lontani bambini ed astanti mentre si usa l'elettrotensile.** Eventuali distrazioni possono comportare la perdita del controllo dell'elettrotensile.

2. Sicurezza elettrica

- a. **Le spine elettriche degli elettrotensili devono essere adatte alla presa. Evitare assolutamente di modificare la spina. Non impiegare spine adattatrici con elettrotensili provvisti di messa a terra.** L'uso di spine inalterate e delle prese corrispondenti riduce il rischio di scosse elettriche.
- b. **Evitare il contatto fisico con superfici collegate a terra, come tubi, radiatori, forni e frigoriferi.** Un corpo collegato a terra è esposto maggiormente al rischio di scosse elettriche.
- c. **Custodire gli elettrotensili al riparo dalla pioggia o dall'umidità.** L'eventuale infiltrazione di acqua in un elettrotensile va ad aumentare il rischio di scosse elettriche.

- d. **Non esporre il cavo a sollecitazioni. Non usare il cavo per trasportare o trainare l'elettrotensile e non tirarlo per estrarre la spina dalla presa di corrente. Mantenere il cavo al riparo dal calore, da bordi taglienti e/o da parti in movimento.** I cavi danneggiati o aggrovigliati aumentano il rischio di scosse elettriche.
 - e. **Se l'elettrotensile viene adoperato all'aperto, usare esclusivamente prolunghe omologate per l'impiego all'esterno.** Un cavo adatto per uso esterno riduce il rischio di scosse elettriche.
 - f. **Se non è possibile evitare di lavorare in una zona umida, usare un'alimentazione elettrica protetta da un dispositivo a corrente residua (RCD).** L'uso di un dispositivo RCD riduce il rischio di scosse elettriche.
- ### 3. Sicurezza delle persone
- a. **È importante concentrarsi su ciò che si sta facendo e maneggiare con giudizio l'elettrotensile. Non adoperare l'elettrotensile se si è stanchi o sotto l'effetto di stupefacenti, alcol o medicinali.** Un attimo di distrazione durante l'uso dell'elettrotensile può causare gravi infortuni personali.
 - b. **Utilizzo di un equipaggiamento di protezione personale. Indossare sempre degli occhiali di sicurezza.** Se si avrà cura d'indossare l'equipaggiamento protettivo come necessario, ad esempio una maschera antipolvere, delle calzature antiscivolo, un casco o delle otoprotezioni, si riduce il rischio di infortuni.
 - c. **Impedire l'avviamento involontario. Accertarsi che l'interruttore di accensione sia regolato su spento prima di collegare l'elettrotensile all'alimentazione elettrica e/o al battery pack, di prenderlo in mano o di trasportarlo.** Per non esporsi al rischio di incidenti, non trasportare gli elettrotensili tenendo le dita sull'interruttore oppure, se sono collegati a un'alimentazione elettrica, con l'interruttore acceso.
 - d. **Prima di accendere un elettrotensile, togliere eventuali chiavi o attrezzi di regolazione.** Un attrezzo o una chiave lasciati in un componente mobile dell'elettrotensile possono causare lesioni.
 - e. **Non sporgersi. Mantenere sempre un buon equilibrio evitando posizioni malsicure.** In questo modo è possibile controllare meglio l'elettrotensile in situazioni inaspettate.
 - f. **Vestirsi adeguatamente. Evitare di indossare indumenti larghi o gioielli. Tenere capelli, vestiti e guanti lontani da pezzi in movimento.** Vestiti larghi, gioielli o capelli lunghi possono impigliarsi nelle parti in movimento.

- g. Se gli elettroutensili sono provvisti di attacchi per il collegamento di dispositivi di aspirazione o di raccolta della polvere, assicurarsi che questi siano installati e utilizzati correttamente.** L'impiego di tali dispositivi può ridurre i rischi correlati alle polveri.
- 4. Uso e cura degli elettroutensili**
- a. Non sovraccaricare l'elettroutensile. Usare l'elettroutensile adatto per il lavoro da eseguire.** Utilizzando l'elettroutensile adatto si potrà lavorare meglio e con maggiore sicurezza alla potenza nominale prevista.
- b. Non utilizzare elettroutensili con interruttori difettosi.** Un elettroutensile che non può essere controllato mediante l'interruttore è pericoloso e deve essere riparato.
- c. Scollegare la spina dalla presa di corrente e/o il battery pack dall'elettroutensile prima di regolarlo o di riporlo oppure di sostituire gli accessori.** Queste precauzioni di sicurezza riducono la possibilità che l'elettroutensile venga messo in funzione inavvertitamente.
- d. Quando non vengono usati, gli elettroutensili devono essere custoditi fuori della portata dei bambini. Non consentire l'uso dell'elettroutensile a persone inesperte o che non abbiano letto le presenti istruzioni.** Gli elettroutensili risultano pericolosi se usati da persone inesperte.
- e. Sottoporre gli elettroutensili alle necessarie procedure di manutenzione. Verificare che le parti mobili siano bene allineate e non inceppate, che non vi siano componenti rotti e che non sussistano altre condizioni che possano compromettere il funzionamento dell'elettroutensile. In caso di danni, riparare l'elettroutensile prima dell'uso.** La scarsa manutenzione causa molti incidenti.
- f. Mantenere affilati e puliti gli utensili da taglio.** Se sottoposti alla giusta manutenzione, gli utensili da taglio con taglienti affilati s'inceppano meno frequentemente e sono più facili da manovrare.
- g. Utilizzare l'elettroutensile, gli accessori e le punte in conformità delle presenti istruzioni, tenendo conto delle condizioni di lavoro e del lavoro da completare.** L'impiego degli elettroutensili per usi diversi da quelli consentiti può dar luogo a situazioni pericolose.
- 5. Riparazioni**
- a. Fare riparare l'elettroutensile solo ed esclusivamente da personale specializzato e solo impiegando pezzi di ricambio originali, onde non alterarne la sicurezza.**

Ulteriori avvisi di sicurezza



Attenzione! Ulteriori precauzioni di sicurezza per le pistole termiche.

Attenzione! Non usare all'aperto, solo per utilizzo all'interno.

Attenzione! Questo elettroutensile non è stato progettato per impiego da parte di persone (o bambini) portatrici di handicap fisici, psichici o sensoriali o che non abbiano la dovuta esperienza o conoscenza, a meno che non siano seguite o opportunamente istruite sul suo impiego da parte di una persona responsabile della loro sicurezza.

Attenzione! Sorvegliare i bambini per evitare che giochino con l'elettroutensile.

Attenzione! Quando non è utilizzato, l'elettroutensile deve essere appoggiato sul proprio supporto.

Attenzione! Se l'elettroutensile non è usato con la dovuta attenzione, potrebbe provocare un incendio. Prestare quindi sempre la massima attenzione quando lo si usa in luoghi dove vi sono materiali combustibili.

- ◆ Non riscaldare la medesima posizione per un lungo periodo di tempo.
- ◆ Non usare in ambienti esposti al rischio di esplosione.
- ◆ Tenere presente che il calore potrebbe raggiungere materiali combustibili che non sono in vista.
- ◆ Appoggiare l'elettroutensile sulla propria base dopo l'impiego e lasciare che si raffreddi prima di riporlo.
- ◆ Non lasciare incustodito l'elettroutensile quando è acceso.
- ◆ Non ostruire le fessure delle prese d'aria o l'uscita dell'ugello per non causare un accumulo eccessivo di calore che potrebbe danneggiare l'elettroutensile.
- ◆ Non puntare il flusso di aria calda contro altre persone o animali.
- ◆ Non toccare l'ugello dato che diventa molto caldo durante l'impiego e rimane caldo anche per 30 minuti dopo l'uso.
- ◆ Non appoggiare l'ugello contro altri oggetti durante o immediatamente dopo l'uso.
- ◆ Non infilare nulla nell'ugello in quanto si potrebbe subire una scossa elettrica.
- ◆ Non guardare direttamente dentro all'ugello quando l'elettroutensile è acceso.
- ◆ Non usare l'elettroutensile come se fosse un asciugacapelli! La temperatura dell'aria è molto più elevata di quella di un asciugacapelli.
- ◆ Accertarsi che vi sia una ventilazione adeguata durante l'impiego dato che si può verificare l'escalazione di fumi tossici.
- ◆ Non usare l'elettroutensile in ambienti umidi.

- ◆ Quando si esegue la sverniciatura, accertarsi che la zona di lavoro sia racchiusa. Indossare una mascherina antipolvere specifica per polveri di vernice a base di piombo e fumi e controllare che anche le persone presenti o in arrivo nell'area di lavoro siano adeguatamente protette.
- ◆ Non bruciare la vernice, dato che potrebbe causare un incendio.
- ◆ Non lasciare che la vernice aderisca all'ugello dato che potrebbe incendiarsi dopo un po' di tempo.
- ◆ Spegnerne l'elettrotensile e lasciare che si raffreddi prima di montare gli accessori.

Sverniciatura di vernici a base di piombo

- ◆ Prestare la massima attenzione quando si esegue la sverniciatura. I trucioli, i residui e i vapori di vernice possono contenere piombo che è velenoso. Qualsiasi edificio costruito prima del 1960 potrebbe essere stato verniciato con vernice contenente piombo. E la vernice originale potrebbe essere stata coperta da strati addizionali di vernice. Quando è depositato sulle superfici, il contatto mani bocca può risultare nell'ingestione di piombo.
- ◆ L'esposizione a livelli anche bassi di piombo può causare danni irreparabili al cervello e al sistema nervoso. Bambini e donne incinte sono maggiormente a rischio di avvelenamento da piombo.
- ◆ Prima di iniziare il lavoro, è importante determinare se la vernice da sverniciare contiene piombo. Per farlo usare un kit di prova o rivolgersi a un decoratore professionista. Non fumare, mangiare o bere in una zona di lavoro che può o potrebbe essere contaminata dal piombo. Le vernici a base di piombo devono essere asportate solo da un professionista e non devono essere sverniciate con pistola termica.

Etichette



Leggere attentamente il presente manuale prima di usare l'elettrotensile.

Sicurezza elettrica



Il doppio isolamento di cui è provvisto questo prodotto rende superfluo il filo di terra. Controllare sempre che l'alimentazione corrisponda alla tensione indicata sulla targhetta delle caratteristiche.

- ◆ In caso di danneggiamento del filo di alimentazione, è necessario farlo riparare dal fabbricante o presso un centro assistenza Black & Decker autorizzato in modo da evitare eventuali pericoli.

Cavi di prolunga

- ◆ Usare un cavo a 2 o a 3 conduttori dato che l'elettrotensile ha un doppio isolamento ed è di classe II.
- ◆ È possibile usare un cavo lungo 30 m senza che si verifichi una perdita di potenza.

Caratteristiche

1. Ugello
2. Fori presa aria
3. Pulsante di sblocco impugnatura snodata
4. Interruttore regolazione temperatura (accensione/spengimento)
5. Gancio
6. Supporto
7. Protezione anticalore

Fig. A

10. Ugello Black & Decker

Figg. G - J

12. Ugello a fessura larga
13. Ugello a fessura larga con riflettore
14. Ugello riflettore
15. Ugello riduttore
16. Raschietto manuale

Assemblaggio (figg. A e B)

Attenzione! Prima di montarlo assicurarsi che l'elettrotensile sia spento e scollegato dalla presa di corrente.

Attenzione! Accertarsi che l'elettrotensile sia spento e freddo prima di montare o smontare gli accessori.

La pistola termica viene fornita con un raschietto Black & Decker integrato.

- ◆ Allineare la fessura della lama del raschietto (9) rispetto alla sporgenza nel portalama (10) e posizionare sotto alla vite di ritenuta (8).

Nota: Accertarsi che il foro nel raschietto (9) sia sulla sinistra della vite (8) nel portalama (10).

- ◆ Serrare la vite di ritenuta (8).
- ◆ Montare il portalama (10) sopra l'uscita dell'ugello (1). Accertarsi che sia allineato; la piccola sporgenza sull'interno del portalama (10) si innesta nella gola nell'ugello.
- ◆ Serrare la vite del morsetto del portalama (11).

La pistola termica (solo modello KX1693) viene anche fornita con i quattro ugelli descritti di seguito. Per ottenere i migliori risultati, si raccomanda sempre di usare gli ugelli.

Ugello a fessura larga (12) – Ideale è per asportare vernici o lacche da superfici piane e larghe.

Ugello riduttore (15) – Concentra il flusso d'aria su zone più piccole, più concentrate.

Ugello riflettore (14) – Disperde l'aria in modo uniforme attorno all'intero oggetto.

Ugello a fessura larga con riflettore (13) – Per la protezione del vetro durante la sverniciatura.

- ◆ Montare il pezzo di collegamento dell'accessorio sopra all'ugello (1).

L'elettrotensile viene anche fornito con un raschietto manuale per l'asportazione di vernice e lacca.

Impugnatura a due posizioni (fig. C)

Questo elettrotensile è una pistola termica molto versatile con un'impugnatura a due posizioni che può essere usata comodamente per molte applicazioni. Essa è stata ideata per essere usata con l'impugnatura a pistola (a) o in linea (b).

- ◆ Per passare da una posizione all'altra, tenere premuto il pulsante di sblocco (3) e ruotare l'impugnatura di 180 gradi.

Utilizzo

Funzionamento della pistola termica (fig. D)

- ◆ Accendere la pistola termica, premere in avanti l'interruttore di regolazione della temperatura (4) verso le posizioni 1, 2 o 3 (la posizione 3 è disponibile solo sul modello KX1693).

Nota: I numeri delle posizioni rappresentano le regolazioni della temperatura descritte nella tabella dei dati tecnici alla fine del manuale.

- ◆ Per spegnere la pistola termica, tirare indietro l'interruttore di regolazione della temperatura (4) per scoprire la posizione spenta (O).

Utilizzo dell'elettrotensile

- ◆ Lasciare che l'elettrotensile si riscaldi per alcuni secondi prima dell'impiego.

Nota: In occasione del primo impiego, si può avere l'esalazione di fumo dall'ugello. Si tratta di un fatto normale che presto diminuirà.

- ◆ **Bassa** - Usare una regolazione bassa della temperatura per essiccare la vernice e la lacca, per asportare etichette adesive, per far restringere tubi di isolamento e per scongelare tubazioni ghiacciate.
- ◆ **Media** (KX1693) – Usare una regolazione media della temperatura per saldare materie plastiche, per piegare tubi di plastica e per allentare dadi e viti molto saldi.
- ◆ **Alta** - Usare una regolazione della temperatura alta per asportare vernici e lacche e per saldare tubazioni idrauliche.

In caso di dubbi sull'utilizzo di questo elettrotensile su un particolare materiale, iniziare a temperatura bassa ed eseguire una prova su un pezzo di materiale di scarto.

Distacco della protezione anticalore

Se si deve lavorare in luoghi particolarmente ristretti, è possibile rimuovere la protezione anticalore (7).

Attenzione! Accertarsi che l'elettrotensile sia spento e freddo prima di montare o rimuovere la protezione anticalore.

Attenzione! Quando si lavora senza la protezione anticalore, vi è un maggior rischio di bruciature.

- ◆ Rimuovere la protezione anticalore (7) ruotandola in senso antiorario e sfilandola dalla pistola termica.
- ◆ Rimontare la protezione anticalore (7) sulla pistola termica e bloccarla in sede ruotandola in senso orario.

Utilizzo senza mani (fig. E)

Attenzione! Puntare sempre l'elettrotensile lontano da sé stessi e da altre persone. Non toccare l'ugello. Prestare attenzione a non lasciar cadere materiale sciolto nell'ugello.

La pistola termica è dotata di supporto (6) che ne permette l'impiego senza mani.

- ◆ Posizionare la pistola termica nella posizione in linea (fig. C b).
- ◆ Appoggiare la pistola termica su di una superficie dove non può essere capovolta.
- ◆ Fissare il cavo per evitare di capovolgere l'elettrotensile tirandolo.

Sverniciatura (figg. G - J)

Nota: Gli ugelli illustrati nelle figg. G - J sono forniti solo con il modello KX1693.

Attenzione! Puntare sempre l'elettrotensile lontano da sé stessi e da altre persone. Non toccare l'ugello. Prestare attenzione a non lasciar cadere materiale sciolto nell'ugello.

- ◆ Puntare l'aria calda verso la zona di lavoro per riscaldare la vernice.
- ◆ Non bruciare la vernice. Tenere l'ugello ad almeno 25 mm dalla superficie.
- ◆ Quando la vernice si ammorbidisce, asportarla con un raschietto. Raschiare immediatamente la vernice ammorbidita altrimenti si indurisce di nuovo.
- ◆ Raschiare lungo la grana del legno se del tutto possibile.
- ◆ Non lasciare che vernice e residui si accumulino sul raschietto.
- ◆ Quando si esegue la raschiatura da una posizione verticale, raschiare verso il basso per evitare che la vernice cada dentro all'ugello.

- ◆ Quando si asporta la vernice da una superficie vicino a un vetro, adottare le necessarie misure per proteggere il vetro dal calore.

Attenzione Usare un ugello con riflettore quando si asporta la vernice da finestre con telaio in metallo o in legno.

- ◆ Smaltire in modo sicuro i residui di vernice e accertarsi che la zona di lavoro sia pulita a fondo dopo l'impiego.

Raffreddamento (fig. F)

Durante l'impiego, l'ugello della pistola termica diventa estremamente caldo.

- ◆ Dopo lo spegnimento, appendere la pistola termica dall'apposito gancio (5) oppure usare il supporto (6) come descritto al paragrafo "Utilizzo senza mani".
- ◆ Lasciar raffreddare per almeno 30 minuti.
- ◆ Per rendere più veloce il tempo di raffreddamento, far funzionare l'elettrotensile sulla temperatura minima per alcuni minuti prima di spegnerlo.

Manutenzione

Questo elettrotensile Black & Decker è stato progettato per funzionare a lungo con un minimo di manutenzione. Per ottenere prestazioni sempre soddisfacenti occorre avere cura dell'elettrotensile e sottoporlo a manutenzione periodica.

Attenzione Spegner l'elettrotensile, scollegare la spina dalla presa di corrente e lasciarlo raffreddare prima di pulirlo o di eseguire la manutenzione.

- ◆ Le prese di ventilazione dell'elettrotensile devono essere pulite regolarmente con un pennello o un panno morbido e asciutto.
- ◆ Per pulire l'elettrotensile, usare solo sapone neutro e un panno umido. Non usare materiali abrasivi o detergenti a base di solventi. Evitare la penetrazione di liquidi all'interno dell'elettrotensile e non immergere mai nessuna parte dello stesso in sostanze liquide.

Protezione dell'ambiente



Raccolta differenziata. Questo prodotto non deve essere smaltito con i normali rifiuti domestici.

Nel caso in cui l'elettrotensile Black & Decker debba essere sostituito o non sia più necessario, non smaltirlo con i normali rifiuti domestici. Metterlo da parte per la raccolta differenziata.



La raccolta differenziata dei prodotti e degli imballaggi utilizzati consente il riciclaggio dei materiali e il loro continuo utilizzo. Il riutilizzo dei materiali riciclati favorisce la protezione dell'ambiente prevenendo l'inquinamento e riduce il fabbisogno di materie prime.

Seguire la regolamentazione locale per la raccolta differenziata dei prodotti elettrici che può prevedere punti di raccolta o la consegna dell'elettrotensile al rivenditore presso il quale viene acquistato un nuovo prodotto.

Black & Decker offre ai suoi clienti la possibilità di riciclare i prodotti Black & Decker che hanno esaurito la loro vita di servizio. Per usufruire di tale servizio, è sufficiente restituire il prodotto a qualsiasi tecnico autorizzato, incaricato della raccolta per conto dell'azienda.

Per individuare il tecnico autorizzato più vicino, rivolgersi alla sede Black & Decker locale, presso il recapito indicato nel presente manuale. In alternativa, un elenco completo di tutti i tecnici autorizzati Black & Decker e i dettagli completi sui contatti e i servizi post-vendita sono disponibili su Internet presso: www.2helpU.com.

Dati tecnici

	KX1692	KX1693
Tensione	V c.a. 230/240	230/240
Tipo	Classe II	Classe II
Potenza assorbita	W 1600	1800
Gamma di temperature	°C 140 - 560	140 - 560
Posizione interruttore	1 140°C	140°C
Posizione interruttore	2 560°C	380°C
Posizione interruttore	3 N/D	560°C
Peso	kg 0,75	0,75

Garanzia

Certa della qualità dei suoi prodotti, Black & Decker offre una garanzia eccezionale. Il presente certificato di garanzia è complementare ai diritti legali e non li pregiudica in alcun modo. La garanzia è valida entro il territorio degli Stati membri dell'Unione Europea e dell'EFTA (European Free Trade Area).

Se un prodotto Black & Decker risulta difettoso per scarsa qualità del materiale, della costruzione o per mancata conformità alle prescrizioni entro 24 mesi dalla data di acquisto, Black & Decker garantisce la sostituzione delle parti difettose, provvede alla riparazione dei prodotti, se ragionevolmente usurati, oppure alla loro sostituzione, in modo da ridurre al minimo il disagio del cliente a meno che:

- ◆ Il prodotto non sia stato destinato ad usi commerciali, professionali o al noleggio;
- ◆ Il prodotto non sia stato usato in modo improprio o scorretto;
- ◆ Il prodotto non abbia subito danni causati da oggetti o sostanze estranee oppure incidenti;
- ◆ Il prodotto non abbia subito tentativi di riparazione non effettuati da tecnici autorizzati né dall'assistenza Black & Decker.

Per attivare la garanzia è necessario esibire la prova comprovante l'acquisto al venditore o al tecnico autorizzato. Per individuare il tecnico autorizzato più vicino, rivolgersi alla sede Black & Decker locale, presso il recapito indicato nel presente manuale. Altrimenti un elenco completo di tutti i tecnici autorizzati Black & Decker e i dettagli completi sui contatti e i servizi post-vendita sono disponibili su Internet presso:

www.2helpU.com

I clienti che desiderano registrare il nuovo prodotto Black & Decker e ricevere gli aggiornamenti sui nuovi prodotti e le offerte speciali, sono invitati a visitare il sito Web (**www.blackanddecker.it**). Ulteriori informazioni sul marchio e la gamma di prodotti Black & Decker sono disponibili all'indirizzo **www.blackanddecker.it**.

Beoogd gebruik

Het hetelucht pistool van Black & Decker is ontworpen voor verscheidene heteluchttoepassingen zoals het afbijten van verf. Dit product is uitsluitend bestemd voor consumentengebruik en voor gebruik binnen.

Veiligheidsinstructies

Algemene veiligheidsvoorschriften



Waarschuwing! Lees alle veiligheidswaarschuwingen en alle instructies. Wanneer de instructies niet in acht worden genomen, kan dit een elektrische schok, brand en/of ernstig letsel tot gevolg hebben.

Bewaar alle waarschuwingen en instructies als referentiemateriaal.

Het hierna gebruikte begrip 'elektrisch gereedschap' heeft betrekking op elektrische gereedschappen voor gebruik op de netspanning (met netsnoer) of op accu (snoerloos).

1. **Veilige werkomgeving**
 - a. **Houd uw werkomgeving schoon en opgeruimd.** Een rommelige of onverlichte werkomgeving kan tot ongevallen leiden.
 - b. **Gebruik elektrisch gereedschap niet in een omgeving met explosiegevaar, zoals in de nabijheid van brandbare vloeistoffen, gasen of stof.** Elektrisch gereedschap veroorzaakt vonken die het stof of de dampen tot ontsteking kunnen brengen.
 - c. **Houd kinderen en andere personen tijdens het gebruik van elektrisch gereedschap uit de buurt.** Wanneer u wordt afgeleid, kunt u de controle over het gereedschap verliezen.
2. **Elektrische veiligheid**
 - a. **De netstekker van het gereedschap moet in het stopcontact passen. De stekker mag in geen geval worden omgebouwd. Gebruik geen adapterstekkers in combinatie met geaarde gereedschappen.** Niet omgebouwde stekkers en passende stopcontacten beperken het risico van een elektrische schok.
 - b. **Vermijd aanraking van het lichaam met geaarde oppervlakken, bijvoorbeeld buizen, verwarmingen, fornuizen en koelkasten.** Er bestaat een verhoogd risico voor een elektrische schok wanneer uw lichaam geaard is.
 - c. **Houd het gereedschap uit de buurt van regen en vocht.** Het binnendringen van water in het elektrische gereedschap vergroot het risico van een elektrische schok.
 - d. **Gebruik het snoer niet voor een verkeerd doel. Gebruik het snoer niet om het gereedschap te dragen of op te hangen of om de stekker uit het stopcontact te trekken. Houd het snoer uit de buurt van hitte, olie, scherpe randen of bewegende delen.** Beschadigde of in de war geraakte snoeren vergroten het risico van een elektrische schok.
 - e. **Wanneer u buitenshuis met elektrisch gereedschap werkt, dient u alleen verlengsnoeren te gebruiken die zijn goedgekeurd voor gebruik buitenshuis.** Het gebruik van een verlengsnoer dat geschikt is voor gebruik buitenshuis beperkt het risico van een elektrische schok.
 - f. **Als u een elektrisch gereedschap moet gebruiken in een vochtige locatie, moet u een reststroomschakelaar (RCD) gebruiken.** Met een reststroomschakelaar wordt het risico van een elektrische schok verkleind.
3. **Veiligheid van personen**
 - a. **Wees alert, let goed op wat u doet en ga met verstand te werk bij het gebruik van elektrische gereedschappen. Gebruik elektrisch gereedschap niet wanneer u moe bent of onder invloed van drugs, alcohol of medicijnen.** Een moment van onoplettendheid bij het gebruik van het gereedschap kan leiden tot ernstige verwondingen.
 - b. **Draag persoonlijke beschermende uitrusting. Draag altijd een veiligheidsbril.** Het dragen van persoonlijke beschermende uitrusting zoals een stofmasker, slipvaste werkschoenen, een veiligheidshelm of gehoorbescherming, afhankelijk van de aard en het gebruik van het elektrische gereedschap, vermindert het risico van verwondingen.
 - c. **Voorkom per ongeluk inschakelen. Controleer of de schakelaar in de uit-stand staat voordat u het gereedschap aansluit op het stopcontact en/of de accu en voordat u het gereedschap omtit of gaat dragen.** Wanneer u bij het dragen van het gereedschap uw vinger op de schakelaar houdt of wanneer u het gereedschap per ongeluk inschakelt, kan dat leiden tot ongevallen.
 - d. **Verwijder instelgereedschappen of schroefsleutels voordat u het gereedschap inschakelt.** Een instelgereedschap of sleutel in een draaiend deel van het gereedschap kan tot verwondingen leiden.
 - e. **Reik niet te ver. Zorg er altijd voor dat u stevig staat en in evenwicht blijft.** Daardoor kunt u het gereedschap in onverwachte situaties beter onder controle houden.

- f. **Draag geschikte kleding. Draag geen loshangende kleding of sieraden. Houd haren, kleding en handschoenen uit de buurt van bewegende delen.** Loshangende kleding, sieraden en lange haren kunnen door bewegende delen worden meegenomen.
- g. **Wanneer stofafzuigings- of stofopvangvoorzieningen kunnen worden gemonteerd, dient u zich ervan te verzekeren dat deze zijn aangesloten en juist worden gebruikt.** Het gebruik van deze voorzieningen beperkt het gevaar door stof.
4. **Gebruik en onderhoud van elektrisch gereedschap**
- a. **Overbelast het gereedschap niet. Gebruik voor uw toepassing het daarvoor bestemde elektrische gereedschap.** Met het passende elektrische gereedschap werkt u beter en veiliger binnen het aangegeven capaciteitsbereik.
- b. **Gebruik geen elektrisch gereedschap waarvan de schakelaar defect is.** Elektrisch gereedschap dat niet meer kan worden in- of uitgeschakeld, is gevaarlijk en moet worden gerepareerd.
- c. **Trek de stekker uit het stopcontact en/of de accu uit het elektrisch gereedschap voordat u het gereedschap instelt, toebehoren wisselt of het gereedschap opbergt.** Met deze voorzorgsmaatregel voorkomt u onbedoeld starten van het gereedschap.
- d. **Bewaar niet-gebruikte elektrische gereedschappen buiten bereik van kinderen. Laat het gereedschap niet gebruiken door personen die er niet vertrouwd mee zijn en deze aanwijzingen niet hebben gelezen.** Elektrische gereedschappen zijn gevaarlijk wanneer deze door onervaren personen worden gebruikt.
- e. **Verzorg het gereedschap zorgvuldig. Controleer of bewegende delen van het gereedschap correct functioneren en niet klemmen, en of er onderdelen zodanig zijn gebroken of beschadigd dat de werking van het gereedschap nadelig wordt beïnvloed. Laat beschadigde delen repareren voordat u het gereedschap gebruikt.** Veel ongevallen worden veroorzaakt door slecht onderhouden elektrische gereedschappen.
- f. **Houd snijdende inzetgereedschappen scherp en schoon.** Zorgvuldig onderhouden snijdende inzetgereedschappen met scherpe snijkanten klemmen minder snel en zijn gemakkelijker te geleiden.
- g. **Gebruik elektrische gereedschappen, toebehoren, inzetgereedschappen en dergelijke volgens deze aanwijzingen. Let daarbij op de arbeidsomstandigheden en de uit te voeren werkzaamheden.** Het gebruik van elektrische gereedschappen voor andere dan de voorziene toepassingen kan leiden tot gevaarlijke situaties.
5. **Service**
- a. **Laat het gereedschap alleen repareren door gekwalificeerd en vakkundig personeel en alleen met originele vervangingsonderdelen.** Daarmee wordt de veiligheid van het gereedschap gewaarborgd.

Aanvullende veiligheidswaarschuwingen



Waarschuwing! Aanvullende veiligheidsinstructies voor heteluchtpistolen.

Waarschuwing! Dit apparaat is niet bedoeld voor gebruik buiten, het mag uitsluitend binnen worden gebruikt.

Waarschuwing! Dit apparaat mag niet worden gebruikt door personen (waaronder kinderen) die lichamelijk of geestelijk mindervalide zijn of die geen ervaring met of kennis van dit apparaat hebben, tenzij ze onder toezicht staan of instructies krijgen wat betreft het gebruik van het apparaat van een persoon die verantwoordelijk is voor hun veiligheid.

Waarschuwing! Houd toezicht op kinderen om ervoor te zorgen dat zij niet met het apparaat gaan spelen.

Waarschuwing! Dit apparaat moet op de standaard worden geplaatst wanneer het niet wordt gebruikt.

Waarschuwing! Er kan brand ontstaan indien het apparaat niet met zorg wordt behandeld; wees daarom voorzichtig wanneer het apparaat wordt gebruikt op plaatsen waar zich ontvlambaar materiaal bevindt;

- ◆ Zorg ervoor dat de hete lucht niet langdurig op dezelfde plek wordt toegepast;
- ◆ Gebruik het apparaat niet op plaatsen waar ontploffingsgevaar dreigt;
- ◆ Let erop dat de hete lucht niet wordt toegepast op brandbaar materiaal dat zich buiten zicht bevindt;
- ◆ Plaats het apparaat na gebruik op de standaard zodat het kan afkoelen voordat het wordt opgeborgen.
- ◆ Laat het apparaat niet onbeheerd achter wanneer het is ingeschakeld.
- ◆ De luchtinlaatgleuven en de uitlaat van het mondstuk mogen niet worden geblokkeerd omdat daardoor een opeenhoping van hete lucht kan ontstaan hetgeen het apparaat kan beschadigen.
- ◆ Richt de hete lucht niet op mensen of dieren.

- ◆ Het mondstuk mag niet worden aangeraakt omdat het tijdens gebruik zeer heet wordt en blijft tot 30 minuten na gebruik.
- ◆ Plaats het mondstuk niet tijdens of onmiddellijk na gebruik tegen een voorwerp.
- ◆ Steek geen voorwerp in het mondstuk omdat hierdoor de kans op een elektrische shock ontstaat.
- ◆ Kijk niet in het mondstuk terwijl het apparaat is ingeschakeld.
- ◆ Het apparaat mag niet als haardroger worden gebruikt! De luchttemperatuur is veel hoger dan die van een haardroger.
- ◆ Zorg voor voldoende ventilatie tijdens het gebruik omdat er giftige gassen kunnen ontstaan.
- ◆ Het apparaat mag niet in een vochtige ruimte worden gebruikt.
- ◆ Wanneer u verf afbijt, zorg er dan voor dat het werkgebied is omsloten. Draag een stofmasker dat speciaal is gemaakt voor bescherming tegen stof van loodverf en gassen, en zorg ervoor dat personen die zich in het werkgebied bevinden of het werkgebied betreden tevens beschermd zijn.
- ◆ De verf mag niet verbranden omdat hierdoor brand kan ontstaan.
- ◆ Zorg ervoor dat verf niet aan het mondstuk blijft kleven omdat het na verloop van tijd kan ontvlammen.
- ◆ Schakel het apparaat uit en laat het afkoelen voordat u er een (ander) hulpstuk op plaatst.

Afbijten van loodverf

- ◆ Uiterste voorzichtigheid dient te worden betracht tijdens het afbijten van verf. De schilfers, overblijfselen en dampen van de verf kunnen lood bevatten wat giftig is. Alle gebouwen van vóór 1960 kunnen in het verleden zijn geschilderd met loodverf. Het is mogelijk dat deze verf is bedekt met meerdere lagen verf. Zodra de verf aan de oppervlakte komt, kan contact tussen de hand en de mond leiden tot de inname van lood.
- ◆ Ook blootstaan aan kleine hoeveelheden lood kan tot permanente beschadiging aan de hersenen en het zenuwstelsel leiden. Het grootste risico van loodvergiftiging bestaat voor kinderen en bij zwangerschap.
- ◆ Voordat u met de werkzaamheden begint, is het van belang dat wordt vastgesteld of de verf die wordt afgebeten lood bevat. Dit kan worden gedaan door middel van onderzoekmateriaal of door een bevoegd schildersbedrijf. Zorg ervoor dat er niet wordt gerookt, gegeten of gedronken in een werkgebied waar zich lood bevindt of kan bevinden. Loodverf mag alleen door een daartoe bevoegd persoon worden verwijderd en mag niet met een hetelucht pistool worden verwijderd.

Labels



Lees deze gehele handleiding zorgvuldig door voordat u het apparaat in gebruik neemt.

Elektrische veiligheid



Dit product is dubbel geïsoleerd. Een aardsluiting is daarom niet noodzakelijk. Controleer altijd of uw netspanning overeenkomt met de waarde op het typeplaatje.

- ◆ Als het netsnoer is beschadigd, moet dit worden vervangen door de fabrikant of een Black & Decker servicecentrum om gevaren te voorkomen.

Verlengsnoeren

- ◆ Twee- of drie-aderige snoeren mogen worden gebruikt omdat het apparaat dubbel geïsoleerd is en de uitvoering klasse II betreft.
- ◆ U kunt een snoer van maximaal 30 m gebruiken zonder vermogensverlies.

Onderdelen

1. Mondstuk
2. Luchtinlaatgleuven
3. Ontgrendelknop met hangslot
4. Heteluchtinstelknop (aan/uit)
5. Ophanghaak
6. Standaard
7. Hitteschild

fig. A

10. Mondstuk van Black & Decker

fig. G – J

12. Warmtespreidend mondstuk
13. Glasbeschermend mondstuk
14. Lepelvormig reflectormondstuk
15. Kegelvormig mondstuk
16. Verfschraper

Montage (fig. A and B)

Waarschuwing! Zorg vóór aanvang van de montage dat de machine is uitgeschakeld en de netstekker is losgekoppeld van het lichtnet.

Waarschuwing! Zorg ervoor dat het apparaat is uitgeschakeld en afgekoeld voordat hulpstukken worden geplaatst of verwijderd.

Bij het hetelucht pistool wordt een bijbehorende verfschraper van Black & Decker meegeleverd.

- ◆ Lijn de gleuf van het schraperblad (9) op met het uitstekende gedeelte op de bladhouder (10) en plaats het onder de borgschroef (8).

Opmerking: Zorg ervoor dat de gleuf in de schraper (9) zich aan de linkerkzijde van de schroef (8) in de bladhouder (10) bevindt.

- ◆ Draai de borgschroef aan (8).
- ◆ Plaats de bladhouder (10) over de uitlaat van het mondstuk (1). Zorg ervoor dat het is opgelijnd; de kleine hobbel binnenin de bladhouder (10) sluit aan op de inkeping van het mondstuk.
- ◆ Draai de schroef van de bladhouderklem aan (11).

Tevens worden de volgende vier mondstukken bij het heteluchtpistool (alleen KX1693) meegeleverd. Voor het beste resultaat wordt het gebruik van mondstukken steeds aanbevolen.

Warmtespreidend mondstuk (12) – Uiterst geschikt voor de verwijdering van verf of lak van grote vlakke oppervlakken.

Kegelvormig mondstuk (15) – Concentreert de luchtstroom op een kleiner en specifiek vlak.

Lepelvormig reflectormondstuk (14) – verspreidt de lucht gelijkmatig rondom het hele object.

Glasbeschermend mondstuk (13) – voor de bescherming van glas tijdens het afbijten van verf.

- ◆ Plaats het verbindingsdeel van het hulpstuk over het mondstuk (1).

Er wordt een verschraper bij uw apparaat meegeleverd voor het afbijten van verf en lak.

De handgreep heeft twee standen (fig. C)

Dit is een heteluchtpistool met vele mogelijkheden en heeft een handgreep met twee standen, zodat het apparaat gemakkelijk voor vele verschillende toepassingen kan worden gebruikt. Het kan als een pistool worden vastgehouden (a) of in de lengte (b) worden gebruikt.

- ◆ Om van stand te veranderen dient de ontgrendelknop van de handgreep (3) naar beneden te worden gedruwd en moet de handgreep 180 graden worden gedraaid.

Gebruik

Bediening van het heteluchtpistool (fig. D)

- ◆ Om het heteluchtpistool in te schakelen dient de heteluchtinstelknop (4) naar voren te worden gedruwd in stand 1, 2 of 3 (stand 3 is alleen beschikbaar op de KX1693).

Opmerking: De standnummers geven de in de tabel met specificaties vermelde heteluchtinstellingen weer aan het einde van de handleiding.

- ◆ Om het heteluchtpistool uit te schakelen moet de heteluchtinstelknop (4) worden teruggezet naar de uitstand (O).

Gebruik van het apparaat

- ◆ Laat het apparaat enkele seconden voor gebruik opwarmen.

Opmerking: Bij het eerste gebruik is het mogelijk dat er wat rook uit het mondstuk komt. Dit is normaal en zal snel weer verdwijnen.

- ◆ **Laag** - gebruik een lage temperatuurinstelling voor het drogen van verf en lak, verwijderen van stickers, slinken van isoleerbuizen en voor het ontdooien van bevroren leidingen.
- ◆ **Middelhoog (KX1693)** – gebruik een middelhoge temperatuurinstelling voor het lassen van synthetisch materiaal, buigen van synthetische pijpen en het losmaken van vastzittende moeren en schroeven.
- ◆ **Hoog** - Gebruik een hoge temperatuurinstelling voor het verwijderen van verf en lak en voor het solderen van sanitairmaden.

Als u niet zeker weet welke instelling moet worden gebruikt voor een bepaald materiaal, begin dan met een lage temperatuurinstelling en test eerst een stukje afvalmateriaal.

Verwijdering van het hiteschild

Wanneer er in een zeer kleine ruimte moet worden gewerkt kan het hiteschild (7) worden verwijderd.

Waarschuwing! Zorg ervoor dat het apparaat is uitgeschakeld en afgekoeld voordat het hiteschild wordt geplaatst of verwijderd.

Waarschuwing! De kans op verbranding is groter wanneer zonder hiteschild wordt gewerkt.

- ◆ Verwijder het hiteschild (7) door het linksom te draaien en het van het hiteschild te verwijderen.
- ◆ Plaats het hiteschild (7) weer op het heteluchtpistool en zet het vast door het rechtsom te draaien.

Handsfree gebruik (fig. E)

Waarschuwing! Richt het apparaat nooit op uzelf of anderen. Raak het mondstuk niet aan. Zorg ervoor dat er geen materiaal in het mondstuk terechtkomt.

Het heteluchtpistool heeft een stand (6) waarmee het handsfree kan worden gebruikt.

- ◆ Zet het heteluchtpistool in de lengtestand (fig C b).
- ◆ Plaats het heteluchtpistool op een oppervlak waar het niet kan omkantelen.
- ◆ Zet het snoer vast zodat het apparaat niet omvalt.

Afbijten van verf (fig. G - J)

Opmerking: De in figuur G tot J getoonde mondstukken worden alleen bij de KX1693 meegeleverd.

Waarschuwing! Richt het apparaat nooit op uzelf of anderen. Raak het mondstuk niet aan. Zorg ervoor dat er geen materiaal in het mondstuk terechtkomt.

- ◆ Richt de hete lucht op het werkgebied om de verf te verhitten.
- ◆ Zorg ervoor dat de verf niet verbrandt. Houd het mondstuk tenminste 25 mm van het oppervlak verwijderd.
- ◆ Verwijder de verf met de schraper zodra de verf zacht wordt. Schraap de zachte verf onmiddellijk af voordat hij weer hard wordt.
- ◆ Schraap waar mogelijk in de richting van de houtnerf.
- ◆ Laat geen verf en afval op de schraper ophopen.
- ◆ Wanneer in verticale positie wordt geschraapt, schraap dan naar beneden zodat er geen verf terugvalt in het mondstuk.
- ◆ Wanneer verf wordt verwijderd van een oppervlak naast glas, neem dan de benodigde maatregelen om het glas tegen de hitte te beschermen.

Waarschuwing! Gebruik een glasbeschermend mondstuk wanneer verf van ramen met metalen of houten kozijnen wordt verwijderd.

- ◆ Verwijder op veilige wijze alle verfresten en zorg ervoor dat het werkgebied goed schoon is na gebruik.

Afkoelen (fig. F)

Het mondstuk wordt tijdens gebruik van het heteluchtpistool zeer heet.

- ◆ Nadat het heteluchtpistool is uitgeschakeld moet het aan de ophanghaak (5) worden gehangen of op de standaard (6) worden geplaatst zoals beschreven in "handsfree gebruik".
- ◆ Laat het apparaat tenminste 30 minuten lang afkoelen.
- ◆ Teneinde het afkoelen te bespoedigen kunt u het apparaat enkele minuten lang op de minimumtemperatuur laten werken voordat het wordt uitgeschakeld.

Onderhoud

Het Black & Decker-apparaat is zodanig ontworpen dat het gedurende langere periodes kan functioneren met een minimum aan onderhoud. U kunt het apparaat naar volle tevredenheid blijven gebruiken als u voor correct onderhoud zorgt en het regelmatig reinigt.

Waarschuwing! Schakel het apparaat uit, verwijder het van de netspanning en laat het afkoelen voordat onderhoud wordt uitgevoerd.

- ◆ Reinig regelmatig de ventilatieopeningen van het apparaat met een zachte borstel of droge doek.
- ◆ Reinig het apparaat alleen met een zacht reinigingsmiddel en een vochtige doek. Gebruik geen schuur- of oplosmiddel. Zorg ervoor dat er geen vloeistof het apparaat binnendringt en dompel nooit enig onderdeel van het gereedschap onder in vloeistof.

Milieu



Aparte inzameling. Dit product mag niet met normaal huishoudelijk afval worden weggegooid.

Mocht u op een dag constateren dat het Black & Decker-product aan vervanging toe is of dat u het apparaat niet meer nodig hebt, gooi het product dan niet bij het restafval. Het product valt onder de categorie voor elektrische apparaten.



Gescheiden inzameling van gebruikte producten en verpakkingsmaterialen maakt het mogelijk materialen te recyclen en opnieuw te gebruiken. Hergebruik van gerecycleerde materialen zorgt voor minder milieuvervuiling en dringt de vraag naar grondstoffen terug.

Plaatselijke verordeningen kunnen voorzien in gescheiden inzameling van huishoudelijke elektrische producten via gemeentelijke stortplaatsen of via de leverancier bij wie u een nieuw product aanschaft.

Black & Decker biedt de mogelijkheid tot het recyclen van afgedankte Black & Decker-producten. Om gebruik te maken van deze service, dient u het product naar een van onze servicecentra te sturen, die de inzameling voor ons verzorgen.

U kunt het adres van het dichtstbijzijnde servicecentrum opvragen via de adressen op de achterzijde van deze handleiding. U kunt ook een lijst van onze servicecentra en meer informatie over onze klantenservice vinden op het volgende internetadres: www.2helpU.com.

Technische gegevens

	KX1692	KX1693
Spanning	Vac 230/240	230/240
Constructie	Klasse II	Klasse II
Opgenomen vermogen	W 1600	1800
Temperatuurbereik	°C 140 - 560	140 - 560
Schakelstand	1 140°C	140°C
Schakelstand	2 560°C	380°C
Schakelstand	3 N/A	560°C
Gewicht	kg 0,75	0,75

Garantie

Black & Decker heeft vertrouwen in haar producten en biedt een uitstekende garantie. Deze garantiebepalingen vormen een aanvulling op uw wettelijke rechten en beperken deze niet. De garantie geldt in de lidstaten van de Europese Unie en de Europese Vrijhandelsassociatie.

Indien een product van Black & Decker binnen 24 maanden na de datum van aankoop defect raakt tengevolge van materiaal- of constructiefouten of omdat het niet voldoet aan de gestelde eisen, garandeert Black & Decker vervanging van defecte onderdelen, de reparatie van het product indien het geen normale slijtage betreft of de vervanging van een dergelijk product zodat de klant hiervan zo weinig mogelijk last ondervindt, tenzij:

- ◆ Het product is gebruikt voor handelsdoeleinden, professionele toepassingen of verhuurdoeleinden;
- ◆ Het product onoordeelkundig is gebruikt;
- ◆ Het product is beschadigd door invloeden van buitenaf of door een ongeval;
- ◆ Reparaties zijn uitgevoerd door anderen dan onze servicecentra of Black & Decker-personeel.

Om een beroep te doen op de garantie, dient u een aankoopbewijs te overhandigen aan de verkoper of een van onze servicecentra. U kunt het adres van het dichtstbijzijnde servicecentrum opvragen via de adressen op de achterzijde van deze handleiding. U kunt ook een lijst van onze servicecentra en meer informatie m.b.t. onze klantenservice vinden op het volgende internetadres:

www.2helpU.com

Meld u aan op onze website www.blackanddecker.nl te worden geïnformeerd over nieuwe producten en speciale aanbiedingen. Verdere informatie over het merk Black & Decker en onze producten vindt u op www.blackanddecker.nl

Uso previsto

Su pistola de aire caliente Black & Decker ha sido diseñada para diversas aplicaciones de calentamiento, tales como la remoción de pintura. Este producto está pensado únicamente para uso doméstico y en interiores.

Instrucciones de seguridad

Normas de seguridad generales



¡Atención! Lea todas las advertencias e instrucciones de seguridad. Si no se siguen las instrucciones de seguridad, pueden producirse descargas eléctricas, incendios o lesiones graves.

Guarde todas las advertencias e instrucciones para consultarlas en el futuro.

El término "herramienta eléctrica" empleado en las advertencias indicadas a continuación hace referencia a la herramienta eléctrica con alimentación de red (con cable) o alimentada por batería (sin cable).

1. **Seguridad del área de trabajo**
 - a. **Mantenga limpia y bien iluminada el área de trabajo.** El desorden y una iluminación deficiente en las áreas de trabajo pueden provocar accidentes.
 - b. **No utilice la herramienta eléctrica en un entorno con peligro de explosión, en el que se encuentren combustibles líquidos, gases o material en polvo.** Las herramientas eléctricas producen chispas que pueden llegar a inflamar los materiales en polvo o vapores.
 - c. **Mantenga alejados a los niños y otras personas del área de trabajo al emplear la herramienta eléctrica.** Una distracción le puede hacer perder el control sobre la herramienta.
 2. **Seguridad eléctrica**
 - a. **El enchufe de la herramienta eléctrica debe corresponder a la toma de corriente utilizada. No modifique el enchufe en forma alguna. No emplee adaptadores en herramientas eléctricas dotadas con toma de tierra.** Los enchufes sin modificar adecuados a las respectivas tomas de corriente reducen el riesgo de una descarga eléctrica.
 - b. **Evite que su cuerpo toque partes conectadas a tierra como tuberías, radiadores, cocinas y refrigeradores.** El riesgo a quedar expuesto a una descarga eléctrica es mayor si su cuerpo tiene contacto con tierra.
 - c. **No exponga las herramientas eléctricas a la lluvia y evite que penetren líquidos en su interior.** Existe el peligro de recibir una descarga eléctrica si penetran ciertos líquidos en la herramienta eléctrica.
 - d. **Cuide el cable de alimentación. No lo utilice para transportar o colgar la herramienta eléctrica, ni tire de él para sacar el enchufe de la toma de corriente. Manténgalo alejado del calor, aceite, bordes afilados o piezas móviles.** Los cables de red dañados o enredados incrementan el riesgo de descarga eléctrica.
 - e. **Al trabajar con una herramienta eléctrica en el exterior utilice solamente cables de prolongación homologados para su uso en exteriores.** La utilización de un cable de prolongación adecuado para su uso en exteriores reduce el riesgo de descarga eléctrica.
 - f. **Si la utilización de una herramienta eléctrica en un lugar húmedo es inevitable, utilice una fuente protegida con un dispositivo de corriente residual (RCD).** La utilización de un RCD reduce el riesgo de sufrir descargas eléctricas.
3. **Seguridad personal**
 - a. **Esté atento a lo que hace y emplee la herramienta eléctrica con prudencia. No utilice la herramienta eléctrica si estuviese cansado, ni tampoco después de haber consumido alcohol, drogas o medicamentos.** El no estar atento durante el uso de una herramienta eléctrica puede provocarle serias lesiones.
 - b. **Utilice un equipo de protección personal. Utilice siempre gafas de protección.** El riesgo de lesionarse se reduce considerablemente si se utiliza un equipo de protección adecuado como una mascarilla antipolvo, zapatos de seguridad con suela antideslizante, casco o protectores auditivos.
 - c. **Impida que la herramienta se ponga en marcha accidentalmente. Asegúrese de que el conmutador de encendido/apagado se encuentra en la posición de apagado antes de conectar la herramienta a la fuente de alimentación o a la batería, o de levantar o transportar la herramienta.** Transportar la herramienta eléctrica con el dedo sobre el interruptor o enchufarla con el interruptor encendido puede provocar accidentes.
 - d. **Retire las herramientas de ajuste o llaves fijas antes de conectar la herramienta eléctrica.** Una herramienta o llave colocada en una pieza giratoria de la herramienta eléctrica puede producir lesiones al ponerse a funcionar.

- e. **Sea precavido. Evite adoptar una posición que fatigue su cuerpo; mantenga un apoyo firme sobre el suelo y conserve el equilibrio en todo momento.** Ello le permitirá controlar mejor la herramienta eléctrica en caso de presentarse una situación inesperada.
- f. **Lleve puesta una vestimenta de trabajo adecuada. No lleve vestidos anchos ni joyas. Mantenga su pelo, vestimenta y guantes alejados de las piezas móviles.** La vestimenta suelta, las joyas y el pelo largo se pueden enganchar con las piezas en movimiento.
- g. **Siempre que sea posible utilizar unos equipos de aspiración o captación de polvo, asegúrese de que estén montados y se utilicen correctamente.** El empleo de estos equipos reduce los riesgos derivados del polvo.
4. **Uso y cuidado de herramientas eléctricas**
- a. **No sobrecargue la herramienta eléctrica. Use la herramienta eléctrica adecuada para cada aplicación.** Con la herramienta eléctrica adecuada podrá trabajar mejor y más seguro dentro del margen de potencia indicado.
- b. **No utilice herramientas eléctricas con un interruptor defectuoso.** Las herramientas eléctricas que no se puedan conectar o desconectar son peligrosas y deben hacerse reparar.
- c. **Desconecte de la herramienta eléctrica el enchufe de la fuente de alimentación y de la batería antes de realizar cualquier ajuste, cambiar accesorios o guardar la herramienta.** Esta medida preventiva reduce el riesgo de conectar accidentalmente la herramienta eléctrica.
- d. **Guarde las herramientas eléctricas fuera del alcance de los niños y de las personas que no estén familiarizadas con su uso.** Las herramientas eléctricas utilizadas por personas inexpertas son peligrosas.
- e. **Cuide sus herramientas eléctricas con esmero. Controle si funcionan correctamente, sin atascarse, las partes móviles de la herramienta eléctrica, y si existen partes rotas o deterioradas que pudieran afectar al funcionamiento de la herramienta. Si la herramienta eléctrica estuviese defectuosa haga que la reparen antes de volver a utilizarla.** Muchos accidentes se deben a herramientas eléctricas con un mantenimiento deficiente.
- f. **Mantenga las herramientas de corte limpias y afiladas.** Las herramientas de corte mantenidas correctamente se dejan guiar y controlar mejor.
- g. **Utilice la herramienta eléctrica, los accesorios, los útiles de la herramienta, etc. de acuerdo con estas instrucciones, y tenga en cuenta las condiciones de trabajo y la tarea a realizar.** El uso de herramientas eléctricas para trabajos diferentes de aquellos para los que han sido concebidas puede resultar peligroso.
5. **Servicio técnico**
- a. **Haga reparar su herramienta eléctrica sólo por personal técnico autorizado que emplee exclusivamente piezas de repuesto originales.** Solamente así se garantiza la seguridad de la herramienta eléctrica.

Advertencias de seguridad adicionales



¡Atención! Instrucciones de seguridad adicionales para pistolas de aire caliente.

¡Atención! No utilice este aparato en exteriores. Su uso es exclusivo para interiores.

¡Atención! Este aparato no debe ser utilizado por personas (incluyendo niños) con sus capacidades físicas, sensoriales o mentales disminuidas, o que carezcan de experiencia o de conocimientos, salvo que hayan recibido supervisión o formación con respecto al uso del aparato por parte de una persona responsable de su seguridad.

¡Atención! Los niños deben vigilarse en todo momento para garantizar que el aparato no se toma como elemento de juego.

¡Atención! El aparato debe colocarse en su soporte cuando no se utilice.

¡Atención! Si el aparato no se usa con cuidado, puede producirse un incendio y, por lo tanto, se debe estar atento al utilizarlo en lugares donde hay materiales combustibles.

- ◆ No aplique calor durante largo tiempo en el mismo lugar.
- ◆ No utilice este aparato en presencia de una atmósfera explosiva.
- ◆ Sea consciente de que el calor puede ser conducido a materiales combustibles que están fuera de la vista.
- ◆ Coloque el aparato en su soporte después de utilizarlo y espere a que se enfríe antes de guardarlo.
- ◆ Preste atención al aparato en todo momento cuando esté enchufado.
- ◆ No obstruya las ranuras de entrada de aire ni la salida de la boquilla, puesto que puede generarse una acumulación de calor excesiva y dañarse el aparato.
- ◆ No dirija el chorro de aire caliente a ninguna persona o animal.
- ◆ No toque la boquilla, ya que durante su utilización alcanza temperaturas elevadas que se mantienen hasta 30 minutos después de utilizar el aparato.

- ◆ No coloque la boquilla contra ningún objeto durante o inmediatamente después de utilizar el aparato
- ◆ No introduzca ningún objeto en la boquilla, ya que puede ocasionarle una descarga eléctrica
- ◆ No mire dentro de la boquilla mientras el aparato está encendido.
- ◆ ¡No utilice el aparato para secarse el pelo! La temperatura del aire es mucho mayor que la de un secador de pelo.
- ◆ Asegure una ventilación adecuada durante la utilización, porque pueden producirse humos tóxicos.
- ◆ No utilice el aparato en atmósferas húmedas.
- ◆ Cuando remueva pintura, asegúrese de que el área de trabajo está cerrada Utilice una mascarilla contra el polvo diseñada específicamente para proteger contra el polvo y las emanaciones de pinturas con contenido de plomo, y asegúrese de que las demás personas que se encuentren dentro, o que penetren en el área de trabajo, también están protegidas.
- ◆ No queme la pintura, ya que podría causar un riesgo de incendio.
- ◆ No permita que la pintura se adhiera a la boquilla ya que podría prenderse fuego transcurrido algún tiempo.
- ◆ Apague el aparato y deje que se enfríe antes de colocarle cualquier accesorio.

Remoción de pintura de base de plomo

- ◆ Debe tenerse especial cuidado al remover pintura. Las películas, los residuos y los vapores de la pintura pueden contener plomo, que es venenoso Es posible que los edificios anteriores a 1960 hayan sido pintados con pinturas que contienen plomo. Esta pintura puede estar cubierta con capas de pintura adicionales. Una vez depositado en las superficies, el plomo puede ser ingerido con tan solo llevarse la mano a la boca.
- ◆ Las exposiciones incluso a niveles bajos de plomo pueden causar daños cerebrales y del sistema nervioso irreversibles. El mayor peligro de envenenamiento con plomo es para los niños y las mujeres embarazadas.
- ◆ Antes de comenzar a trabajar, es importante determinar si la pintura a remover contiene plomo. Esto puede hacerse utilizando un equipo de prueba o los servicios de un decorador profesional. No fume, coma ni beba en un área de trabajo que podría estar contaminada con plomo. Las pinturas de base de plomo sólo deben ser removidas por un profesional y no debe utilizarse una pistola de aire caliente.

Etiquetas



Lea todo el manual detenidamente antes de utilizar el aparato.

Seguridad eléctrica



Este producto está provisto de doble aislamiento, por lo que no requiere una toma de tierra. Compruebe siempre que la tensión de la red corresponda con el valor indicado en la placa de datos de la herramienta.

- ◆ Si se llegase a dañar el cable de alimentación, deberá ser sustituido por el fabricante o por un centro de asistencia técnica autorizado de Black & Decker para evitar cualquier situación de riesgo.

Cables de extensión

- ◆ Se puede utilizar un cable de 2 ó 3 núcleos puesto que el aparato tiene doble aislamiento y es de construcción clase II.
- ◆ Es posible utilizar hasta 30 m sin perder energía.

Características

1. Boquilla
2. Orificios de entrada de aire
3. Botón de desbloqueo del mango pivotante
4. Interruptor de ajuste de calor (encendido/apagado)
5. Gancho para colgar
6. Soporte
7. Protector térmico

fig. A

10. Boquilla Black & Decker

figs. G - J

12. Boquilla cola de pescado
13. Boquilla con protección de vidrios
14. Boquilla con reflector tipo cuchara
15. Boquilla cónica
16. Raspador manual

Montaje (figs. A y B)

¡Atención! Antes de proceder al montaje, compruebe que el aparato está apagado y desenchufado.

¡Atención! Antes de colocar o retirar los accesorios, compruebe que el aparato está apagado y frío.

Su pistola de aire caliente está provista de un raspador Black & Decker integrado.

- ◆ Alinee la ranura de la hoja del raspador (9) con el saliente del soporte de la hoja (10) y colóquelo debajo del tornillo de retención (8).

Nota: Compruebe que el orificio del raspador (9) está a la izquierda del tornillo (8) del soporte de la hoja (10).

- ◆ Apriete el tornillo de retención (8).

- ◆ Coloque el soporte de la hoja (10) sobre la salida de la boquilla (1). Compruebe que está alineada y que la pequeña protuberancia del interior del soporte de la hoja (10) se acopla con el receso de la boquilla.
- ◆ Apriete el tornillo de sujeción del soporte de la hoja (11).

Su pistola de aire caliente (sólo KX1693) se suministra también con las cuatro boquillas siguientes. Para obtener los mejores resultados, se recomienda utilizar siempre las boquillas.

Boquilla cola de pescado (12) - Ideal para remover pintura o barniz de superficies planas grandes.

Boquilla cónica (15) – Concentra la corriente de aire en un área más pequeña.

Boquilla con reflector tipo cuchara (14) - dispersa el aire uniformemente alrededor de todo el objeto.

Boquilla con protección de vidrios (13) – para la protección de los vidrios durante la remoción de pintura.

- ◆ Instale la pieza de conexión del accesorio en la boquilla (1).

El aparato también se suministra con un raspador manual para remover pintura y barniz

Mango de dos posiciones (fig. C)

Este aparato es una pistola de aire caliente muy versátil con mango de dos posiciones que se puede utilizar cómodamente para muchas aplicaciones diferentes. Está diseñada para utilizar en los modos de empuñadura de pistola (a) o en línea (b).

- ◆ Para conmutar entre las posiciones, presione el botón de desbloqueo del mango (3) y rote este último 180 grados.

Uso

Utilización de la pistola de aire caliente (fig. D)

- ◆ Para encender la pistola de aire caliente, presione el interruptor de ajuste de calor (4) hacia adelante a las posiciones 1, 2 ó 3 (la posición 3 es sólo para el modelo KX1693).

Nota: Los números de las posiciones representan los ajustes de calor descritos en la tabla de datos técnicos del final del manual.

- ◆ Para apagar la pistola de aire caliente, lleve el interruptor de ajuste de calor (4) hacia atrás hasta mostrar la posición de apagado (0).

Utilización del aparato

- ◆ Deje que el aparato se caliente algunos segundos antes de utilizarlo.

Nota: Al principio, puede salir algo de humo por la boquilla. Es normal y disminuirá pronto.

- ◆ **Baja** - use el ajuste de baja temperatura para secar pintura y barniz, eliminar etiquetas autoadhesivas, contraer tubos de aislamiento y descongelar cañerías congeladas.
- ◆ **Mediana** (KX1693) - use el ajuste de temperatura mediana para soldar plásticos, doblar tubos plásticos y aflojar tuercas y tornillos apretados.
- ◆ **Alta** - Use el ajuste de alta temperatura para remover pinturas y lacas, así como para soldar uniones de cañerías.

Si no está seguro acerca del uso de este aparato en un material particular, comience con el ajuste de baja temperatura y haga una prueba en un trozo de material de desecho.

Desmontaje del protector térmico

Para trabajar en lugares especialmente estrechos, puede desmontarse el protector térmico (7).

¡Atención! Antes de instalar o desmontar el protector térmico, compruebe que el aparato está apagado y frío.

¡Atención! Cuando se trabaja sin el protector térmico, aumenta el riesgo de quemaduras.

- ◆ Desmonte el protector térmico (7) girándolo en sentido contrario a las agujas del reloj y retirándolo de la pistola de aire caliente.
- ◆ Vuelva a instalar el protector térmico (7) en la pistola girándolo en sentido de las agujas del reloj.

Utilización con manos libres (fig. E)

¡Atención! Apunte siempre el aparato hacia donde no está usted ni ninguna otra persona. No toque la boquilla. Tenga cuidado de que no caiga material dentro de la boquilla.

La pistola de aire caliente tiene un soporte (6) para permitir la utilización con manos libres.

- ◆ Posicione la pistola en el modo en línea (fig. C b).
- ◆ Colóquela en una superficie donde no se pueda volcar.
- ◆ Sujete el cable para evitar tironear el aparato.

Remoción de pintura (figs. G - J)

Nota: Las boquillas mostradas en las figs. G a J se suministran sólo con el modelo KX1693.

¡Atención! Apunte siempre el aparato hacia donde no está usted ni ninguna otra persona. No toque la boquilla. Tenga cuidado de que no caiga material dentro de la boquilla.

- ◆ Dirija el aire caliente hacia el área de trabajo para calentar la pintura.
- ◆ No queme la pintura. Mantenga la boquilla a una distancia mínima de 25 mm de la superficie.
- ◆ Cuando la pintura se ablanda, remuévala con un raspador. Raspe la pintura ablandada inmediatamente, de lo contrario, se volverá a endurecer.

- ◆ Raspe en el sentido de la veta de la madera siempre que sea posible.
- ◆ No permita que se acumule pintura y desechos en el raspador.
- ◆ Cuando raspe desde una posición vertical, hágalo hacia abajo, para evitar que la pintura caiga dentro de la boquilla.
- ◆ Cuando remueva pintura de una superficie cercana a un vidrio, tome las medidas necesarias para protegerlo contra el calor.

¡Atención! Utilice la boquilla con protector de vidrios cuando remueva pintura de ventanas con marco de metal o madera.

- ◆ Elimine todos los desechos de pintura de forma segura y compruebe que el área de trabajo queda totalmente limpia después de utilizar el aparato.

Enfriamiento (fig. F)

Durante la utilización, la boquilla de la pistola se calienta extremadamente.

- ◆ Después de apagarla, cuelgue la pistola de aire caliente del gancho (5) o utilice el soporte (6) como se describe en "utilización con manos libres".
- ◆ Déjela enfriar durante 30 minutos como mínimo.
- ◆ Para acortar el tiempo de enfriamiento, haga funcionar el aparato a temperatura mínima durante algunos minutos antes de apagarlo.

Mantenimiento

El aparato de Black & Decker ha sido diseñado para que funcione durante un largo período de tiempo con un mantenimiento mínimo. El funcionamiento satisfactorio continuado depende de un cuidado apropiado y una limpieza periódica del aparato.

¡Atención! Antes de proceder con cualquier mantenimiento, apague y desenchufe el aparato, y permita que se enfríe.

- ◆ Limpie periódicamente las ranuras de ventilación del aparato con un cepillo suave o paño seco.
- ◆ Para limpiar el aparato, utilice únicamente un jabón suave y un paño húmedo. No utilice limpiadores de base abrasiva o disolventes. Evite que penetre líquido en el interior del aparato y no sumerja nunca ninguna pieza de este en ningún tipo de líquido.

Protección del medio ambiente



Recogida selectiva. No se debe desechar este producto con el resto de residuos domésticos.

Si llegase el momento en que fuese necesario sustituir su producto Black & Decker o si éste dejase de tener utilidad para usted, no lo deseche junto con los residuos domésticos. Sepárelo para su recogida selectiva.



La recogida selectiva de productos y embalajes usados permite el reciclaje de materiales y su reutilización. La reutilización de materiales reciclados contribuye a evitar la contaminación medioambiental y reduce la demanda de materias primas.

Las normativas municipales deben ofrecer la recogida selectiva de productos eléctricos del hogar, en puntos municipales previstos para ello o a través del distribuidor en el caso en que se adquiera un nuevo producto.

Black & Decker proporciona facilidades para la recogida y reciclado de los productos Black & Decker que hayan llegado al final de su vida útil. Para poder utilizar este servicio, le rogamos entregue el producto a cualquier servicio técnico autorizado que se hará cargo de él en nuestro nombre.

Para consultar la dirección del servicio técnico más cercano póngase en contacto con la oficina local de Black & Decker en la dirección que se indica en este manual. Como alternativa, se puede consultar en Internet, en la dirección siguiente, la lista de servicios técnicos autorizados e información completa sobre nuestros servicios de postventa y contactos: www.2helpU.com.

Características técnicas

	KX1692	KX1693
Voltaje	V de CA 230/240	230/240
Construcción	Clase II	Clase II
Potencia absorbida	W 1600	1800
Gama de temperatura	°C 140 - 560	140 - 560
Posición del interruptor	1 140 °C	140 °C
Posición del interruptor	2 560 °C	380 °C
Posición del interruptor	3 N/A	560 °C
Peso	kg 0,75	0,75

Garantía

Black & Decker confía plenamente en la calidad de sus productos y ofrece una garantía extraordinaria. Esta declaración de garantía es un añadido, y en ningún caso un perjuicio para sus derechos estatutarios. La garantía es válida dentro de los territorios de los Estados miembros de la Unión Europea y de los de la Zona Europea de Libre Comercio.

Si cualquier producto de Black & Decker resultara defectuoso debido a materiales o mano de obra defectuosos o a la falta de conformidad, Black & Decker garantiza, dentro de los 24 meses de la fecha de compra, la sustitución de las piezas defectuosas, la reparación de los productos sujetos a un desgaste y rotura razonables o la sustitución de tales productos para garantizar al cliente el mínimo de inconvenientes, a menos que:

- ◆ El producto se haya utilizado con propósitos comerciales, profesionales o de alquiler.
- ◆ El producto se haya sometido a un uso inadecuado o negligente.
- ◆ El producto haya sufrido daños causados por objetos o sustancias extrañas o accidentes.
- ◆ Se hayan realizado reparaciones por parte de personas que no sean del servicio técnico autorizado o personal de servicios de Black & Decker.

Para reclamar en garantía, será necesario que presente la prueba de compra al vendedor o al servicio técnico de reparaciones autorizado. Pueden consultar la dirección de su servicio técnico más cercano poniéndose en contacto con la oficina local de Black & Decker en la dirección que se indica en este manual. Como alternativa, se puede consultar en Internet, en la dirección siguiente, la lista de servicios técnicos autorizados e información completa de nuestros servicios de posventa y contactos:

www.2helpU.com

Visite el sitio web www.blackanddecker.es para registrar su nuevo producto Black & Decker y estar al día sobre productos y ofertas especiales. Encontrará información adicional sobre la marca Black & Decker y nuestra gama de productos en www.blackanddecker.eu

Utilização

A pistola de calor Black & Decker foi concebida para várias aplicações térmicas, tais como a remoção de tintas. Este produto destina-se apenas a ser utilizado em ambientes domésticos fechados..

Instruções de segurança

Regras gerais de segurança



Advertência! Leia com atenção todos os avisos de segurança e instruções. O não cumprimento de todas as instruções pode resultar em choque eléctrico, incêndio e/ou graves lesões.

Guarde todos os avisos e instruções para consulta futura.

A expressão "ferramenta eléctrica" utilizada a seguir refere-se a ferramentas eléctricas com ligação à corrente eléctrica (com cabo) ou com bateria (sem fios).

1. **Segurança na área de trabalho**
 - a. **Mantenha a área de trabalho limpa e bem iluminada.** Áreas desarrumadas e mal iluminadas são propícias a acidentes.
 - b. **Não trabalhe com ferramentas eléctricas em áreas com risco de explosão, nas quais se encontrem líquidos, gases ou poeiras inflamáveis.** As ferramentas eléctricas produzem faíscas que podem provocar a ignição de poeiras ou vapores.
 - c. **Mantenha crianças e outras pessoas afastadas durante a utilização da ferramenta eléctrica.** As distrações podem dar origem a que perca o controlo da ferramenta.
2. **Segurança eléctrica**
 - a. **A ficha da ferramenta eléctrica deve caber na tomada. A ficha não deve ser modificada de modo algum. Não utilize quaisquer fichas adaptadoras com ferramentas eléctricas ligadas à terra.** Fichas sem modificações e tomadas adequadas reduzem o risco de choques eléctricos.
 - b. **Evite que o corpo entre em contacto com superfícies ligadas à terra, como tubos, radiadores, fogões e frigoríficos.** Existe um maior risco de choque eléctrico se o seu corpo estiver ligado à terra.
 - c. **As ferramentas eléctricas não podem ser expostas a chuva nem humidade.** A penetração de água na ferramenta eléctrica aumenta o risco de choques eléctricos.
 - d. **Manuseie o cabo com cuidado. O cabo não deve ser utilizado para transportar ou pendurar a ferramenta, nem para puxar a ficha da tomada. Mantenha o cabo afastado de calor, óleo, pontas afiadas ou partes móveis.** Cabos danificados ou torcidos aumentam o risco de choques eléctricos.
 - e. **Quando trabalhar com uma ferramenta eléctrica ao ar livre, utilize um cabo de extensão apropriado para esse fim.** A utilização de um cabo apropriado para áreas ao ar livre reduz o risco de choques eléctricos.
 - f. **Se for inevitável trabalhar com uma ferramenta eléctrica num local húmido, utilize um Dispositivo de Corrente Residual (RCD).** A utilização de um RCD reduz o risco de choque eléctrico.
3. **Segurança pessoal**
 - a. **Mantenha-se atento, observe o que está a fazer e seja prudente ao trabalhar com a ferramenta eléctrica. Não utilize uma ferramenta eléctrica se estiver cansado ou sob a influência de drogas, álcool ou medicamentos.** Um momento de falta de atenção durante a utilização de ferramentas eléctricas poderá causar graves lesões.
 - b. **Utilize equipamento de protecção pessoal. Use sempre óculos de protecção.** Equipamento de protecção como, por exemplo, máscara anti-poeiras, sapatos de segurança anti-derrapantes, capacete de segurança ou protecção auricular, de acordo com o tipo e a aplicação de ferramenta eléctrica, reduz o risco de lesões.
 - c. **Evite arranques involuntários. Certifique-se de que o botão está desligado antes de ligar a ferramenta à corrente eléctrica e/ou a bateria, pegando ou transportando a ferramenta.** Transportar ferramentas eléctricas com o dedo no botão ou ligar ferramentas eléctricas à tomada com o interruptor na posição de ligado pode dar origem a acidentes.
 - d. **Retire eventuais chaves de ajuste ou chaves de fendas, antes de ligar a ferramenta eléctrica.** Uma chave de fendas ou chave de ajuste que se encontre numa peça rotativa da ferramenta eléctrica poderá causar lesões.
 - e. **Não se incline. Mantenha-se sempre bem posicionado e em equilíbrio.** Desta forma, será mais fácil controlar a ferramenta eléctrica em situações inesperadas.
 - f. **Use vestuário adequado. Não use roupas largas nem jóias. Mantenha o cabelo, roupa e luvas afastados de peças em movimento.** Roupas largas, jóias ou cabelos longos podem ficar presos nas peças em movimento.

- g. **Se for prevista a montagem de dispositivos de extracção e recolha de pó, assegure-se de que estão ligados e que são utilizados de forma correcta.** A utilização destes dispositivos reduz os riscos relacionados com pó.
4. **Utilização e manutenção da ferramenta eléctrica**
- a. **Não sobrecarregue a ferramenta eléctrica. Utilize a ferramenta eléctrica adequada para o trabalho pretendido.** A ferramenta eléctrica correcta realizará o trabalho de forma melhor e mais segura, com a potência com que foi concebida.
- b. **Não utilize a ferramenta eléctrica se o interruptor não puder ser ligado nem desligado.** Qualquer ferramenta eléctrica que não possa ser controlada com o interruptor é perigosa e terá de ser reparada.
- c. **Desligue a ficha da tomada e/ou a bateria da ferramenta eléctrica antes de proceder a ajustes, trocar acessórios ou guardar ferramentas eléctricas.** Estas medidas de prevenção de segurança reduzem o risco de ligação inadvertida da ferramenta eléctrica.
- d. **Mantenha as ferramentas eléctricas que não estiverem a ser utilizadas fora do alcance de crianças. Não permita que a ferramenta eléctrica seja utilizada por pessoas não familiarizadas com a mesma ou que não tenham lido estas instruções.** As ferramentas eléctrica são perigosas se utilizadas por pessoas não qualificadas.
- e. **Efectue a manutenção das ferramentas eléctricas. Verifique se as partes móveis estão desalinhadas ou bloqueadas, se existem peças partidas ou qualquer outra situação que possa afectar o funcionamento das ferramentas eléctricas. As peças danificadas devem ser reparadas antes da utilização da ferramenta eléctrica.** Muitos acidentes têm como causa uma manutenção insuficiente das ferramentas eléctricas.
- f. **Mantenha as ferramentas de corte sempre afiadas e limpas.** As ferramentas de corte com a manutenção adequada e as extremidades afiadas bloqueiam com menos frequência e são mais fáceis de controlar.
- g. **Utilize a ferramenta eléctrica, acessórios e peças de ferramenta de acordo com estas instruções, considerando as condições de trabalho e o tarefa a ser executada.** A utilização da ferramenta eléctrica para fins diferentes dos previstos pode resultar em situações perigosas.
5. **Reparação**
- a. **A ferramenta eléctrica deverá ser reparada por técnicos qualificados que utilizem apenas peças de substituição iguais.** Isto garantirá a manutenção da segurança da ferramenta eléctrica.

Avisos de segurança adicionais



Advertência! Instruções de segurança adicionais para pistolas de calor.

Advertência! Não utilize a ferramenta ao ar livre; utilize-a apenas em locais fechados.

Advertência! Este aparelho não deve ser utilizado por pessoas (incluindo crianças) que apresentem reduzidas capacidades físicas, sensoriais ou mentais ou que não possuam os conhecimentos ou experiência necessários, excepto se forem vigiadas e instruídas acerca da utilização do aparelho pela pessoa responsável pela sua segurança.

Advertência! As crianças deverão ser vigiadas para que não mexam no aparelho.

Advertência! Este aparelho deve ser colocado no respectivo suporte quando não estiver a ser utilizado.

Advertência! Pode ocorrer um incêndio se o aparelho não for manuseado com cuidado, deste modo, seja cuidadoso ao utilizá-lo em locais onde existam materiais comburentes.

- ♦ Não aplique calor no mesmo local durante um logo período.
- ♦ Não o utilize em áreas com risco de explosão;
- ♦ Lembre-se de que o calor poder ser conduzido até junto de materiais comburentes que não se encontram visíveis;
- ♦ Antes de proceder ao armazenamento, coloque o aparelho no respectivo suporte e deixe-o arrefecer.
- ♦ Não deixe o aparelho sem vigilância, quando este se encontrar ligado.
- ♦ Não obstrua as entradas de admissão de ar nem a saída do bocal, visto que pode resultar num calor excessivo causando danos no aparelho.
- ♦ Não aponte o fluxo de ar quente na direcção de outras pessoas ou animais.
- ♦ Não toque no bocal, uma vez que este aquece muito durante a utilização e permanece quente até 30 minutos após ter sido utilizado.
- ♦ Não coloque o bocal em contacto com outro objecto durante ou logo após a utilização.
- ♦ Não introduza nada no bocal, visto que este lhe pode dar um choque eléctrico.
- ♦ Não espregue para dentro do bocal enquanto o aparelho está ligado.
- ♦ Não utilize este aparelho como secador de cabelo! A temperatura do ar é muito mais elevada do que a de um secador de cabelo.

- ◆ Certifique-se de que durante a utilização existe uma ventilação adequada uma vez que podem ser produzidos fumos tóxicos.
- ◆ Não utilize o aparelho num ambiente húmido.
- ◆ Ao remover pinturas, certifique-se de que a área de trabalho está circunscrita. Utilize uma máscara de protecção contra poeiras especificamente concebida para protecção contra poeiras e vapores de pinturas com chumbo e certifique-se de que as pessoas perto da área de trabalho também estão protegidas.
- ◆ Não queime tinta, uma vez que pode causar risco de incêndio.
- ◆ Não deixe que se aloje tinta no bocal, esta pode inflamar após algum tempo.
- ◆ Antes de colocar qualquer acessório desligue o aparelho e deixe-o arrefecer.

Remover tinta à base de chumbo

- ◆ Deve-se ter um cuidado extremo ao efectuar-se a remoção de tinta. As lascas, os resíduos e os vapores da tinta podem conter chumbo que é tóxico. As construções anteriores a 1960 podem já ter sido pintadas com tinta contendo chumbo. Esta tinta pode estar por baixo de outras camadas de tinta. Uma vez à superfície, o contacto da mão com a boca pode resultar na ingestão de chumbo.
- ◆ As exposições mesmo a níveis baixos de chumbo podem causar danos irreversíveis no sistema nervoso e no cérebro. A intoxicação por chumbo é extremamente perigosa para crianças e para mulheres grávidas.
- ◆ Antes de começar a trabalhar, é importante saber se a tinta que vai remover contém chumbo. Esta verificação pode ser efectuada através de um kit de teste ou por um decorador profissional. Não fume, coma ou beba na área de trabalho, pois há risco de contaminação por chumbo. As tintas à base de chumbo devem ser removidas apenas por um profissional e sem haver recurso a uma pistola de calor.

Rótulos



Leia com atenção o manual completo antes de utilizar o seu aparelho.

Segurança eléctrica



Este produto tem um isolamento duplo e, por isso, não é necessário um fio de terra. Verifique sempre se a fonte de alimentação corresponde à tensão indicada na placa de especificações.

- ◆ Se o cabo de alimentação for danificado, terá de ser substituído pelo fabricante ou por um centro de assistência autorizado Black & Decker para evitar acidentes.

Extensões eléctricas

- ◆ Pode ser utilizado um cabo de 2 ou 3 condutores dado que o aparelho tem isolamento duplo e pertence à classe II.
- ◆ Podem ser utilizados até 30 m sem perda de energia.

Funções

1. Bocal
2. Orifícios de entrada do ar
3. Botão de desbloqueio do punho do pivot
4. Interruptor de definição do calor (ligar/desligar)
5. Gancho de suspensão
6. Base
7. Protecção de calor

Fig.A

10. Bocal Black & Decker

Fig. G - J

12. Bocal largo achatado
13. Bocal para protecção do vidro
14. Bocal reflector
15. Bocal cónico
16. Raspadeira manual

Montagem (fig. A e B)

Advertência! Antes da montagem, certifique-se de que o aparelho está desligado e que não está ligado à corrente eléctrica.

Advertência! Antes de colocar ou remover acessórios, certifique-se de que o aparelho está desligado e que já arrefeceu.

A pistola de calor é fornecida com uma raspadeira Black & Decker integrada.

- ◆ Alinhe o encaixe da lâmina da raspadeira (9) com a protuberância do porta-lâminas (10) e coloque por baixo do parafuso retentor (8).

Nota: Certifique-se de que o orifício na raspadeira (9) se encontra à esquerda do parafuso (8) no porta-lâminas (10).

- ◆ Aperte o parafuso retentor (8).
- ◆ Coloque o porta-lâminas (10) por cima da saída do bocal (1). Certifique-se de que este se encontra alinhado, a pequena saliência no interior do porta-lâminas (10) encaixa no recesso do bocal.
- ◆ Aperte o parafuso de aperto do porta-lâminas (11).

A pistola de calor (KX1693 only) também é fornecida com os quatro bocais seguintes. Para obter melhores resultados é recomendado que os bocais sejam sempre utilizados.

Bocal largo achatado (12) - Ideal para remover tinta ou verniz de superfícies lisas de grande dimensão.

Bocal cónico (15) – Concentra a corrente de ar numa área mais pequena e mais concentrada.

Bocal reflector (14) – dispersa o ar uniformemente por todo o objecto.

Bocal para protecção do vidro (13) – para a protecção de vidro durante a remoção de tinta.

- ◆ Encaixe a peça de ligação do acessório sobre o bocal (1).

O seu aparelho também é fornecido com uma raspadeira manual para remoção de tinta e verniz.

Punho de posição dupla (fig. C)

O aparelho é uma arca de calor muito versátil com um punho de posição dupla que pode ser utilizado confortavelmente em várias aplicações. Foi concebido para ser utilizado quer na posição de pistola (a) quer na posição horizontal (b).

- ◆ Para trocar a posição segure no punho desbloqueie o botão (3) re rode o punho 180 graus.

Utilização

Utilizar a pistola de calor (fig. D)

- ◆ Para ligar a pistola de calor, empurre o interruptor de definição do calor (4) para a posição 1, 2 ou 3 (posição 3 apenas no modelo KX1693).

Nota: Os números da posição representam as definições do calor descritas na tabela dos dados técnicos que se encontra no fim do manual.

- ◆ Para desligar a pistola de calor, recue o interruptor de definição do calor (4) de forma a revelar a posição desligado (0).

Utilizar o aparelho

- ◆ Aguarde alguns segundos, antes de utilizar o aparelho, para este aquecer.

Nota: Na primeira utilização pode ser emitido algum fumo através do bocal. Trata-se de uma situação normal que diminuirá pouco depois.

- ◆ **Baixa** - utilize uma definição de temperatura baixa para secar tinta e verniz, remover rótulos, diminuir canos de insulação e descongelar tubos congelados.
- ◆ **Média** (KX1693) – utilize uma definição de temperatura média para derreter plásticos, dobrar tubos de plástico e soltar porcas e parafusos apertados.
- ◆ **Elevada** - Utilize uma definição de temperatura elevada para remover tintas e vernizes e soldar juntas de tubagens.

Se tiver dúvidas acerca da utilização deste aparelho num determinado material, inicie com uma definição de temperatura baixa e teste num fragmento do material.

Retirar a protecção de calor

Para trabalhar, em locais, particularmente, estreitos, a protecção de calor (7) pode ser removida.

Advertência! Antes de colocar ou remover a protecção de calor, certifique-se de que o aparelho está desligado e que já arrefeceu.

Advertência! Existe um elevado risco de incêndio quando se trabalha sem a protecção de calor.

- ◆ Remova a protecção de calor (7) rodando-a no sentido contrário ao dos ponteiros do relógio e removendo-a da pistola de calor.
- ◆ Volte a colocar a protecção de calor (7) na pistola de calor e bloqueie-a rodando-a no sentido dos ponteiros do relógio.

Utilização sem mãos (fig. E)

Advertência! Nunca direcione o aparelho para si ou outras pessoas. Não toque no bocal. Tenha cuidado para que não caia qualquer material no bocal.

A pistola de calor inclui um suporte (6) para permitir a utilização sem mãos.

- ◆ Coloque a pistola de calor na posição horizontal (fig. C b).
- ◆ Coloque a pistola de calor numa superfície onde não possa ser derrubada.
- ◆ Prenda o cabo para evitar que o aparelho seja puxado.

Remoção de tinta (figs. G - J)

Nota: Os bocais apresentados nas figs. G a J são somente fornecidos com o modelo KX1693.

Advertência! Nunca direcione o aparelho para si ou outras pessoas. Não toque no bocal. Tenha cuidado para que não caia qualquer material no mesmo.

- ◆ Direcione o ar quente para a área de trabalho para aquecer a tinta.
- ◆ Não queime a tinta. Mantenha o bocal pelo menos a 25 mm da superfície.
- ◆ Quando a tinta se tornar mais macia, remova a tinta utilizando uma raspadeira. Raspe imediatamente a tinta ou esta irá endurecer novamente.
- ◆ Raspe, sempre que for possível, com a granulação da madeira.
- ◆ Não permita que tinta e detritos se acumulem no raspador.
- ◆ Quando estiver a raspar numa posição vertical, raspe para baixo de forma a evitar que a tinta caia no bocal.

- ◆ Quando estiver a remover tinta de uma superfície junto a um vidro, tome as medidas necessárias para proteger o vidro do calor.

Advertência! Utilize um bocal de protecção do vidro quando remover tinta de janelas emolduradas em metal ou madeira.

- ◆ Elimine de forma segura todos os detritos da tinta e certifique-se de que a área de trabalho está perfeitamente limpa após a utilização.

Arrefecimento (fig. F)

Durante a utilização, bocal da pistola de calor fica extremamente quente.

- ◆ Após desligar a pistola de calor, pendure-a no gancho de suspensão (5) ou utilize o suporte (6) como descrito em "Utilização sem mãos".
- ◆ Deixe o aparelho arrefecer no mínimo 30 minutos.
- ◆ Para reduzir o tempo de arrefecimento, antes de desligar o aparelho deixe-o a funcionar na definição de temperatura mínima durante alguns minutos.

Manutenção

O seu aparelho Black & Decker foi concebido para funcionar por um longo período de tempo com uma manutenção mínima. Um funcionamento contínuo e satisfatório depende de uma manutenção adequada e da limpeza regular do aparelho.

Advertência! Desligue o aparelho e retire-lhe a ficha, deixe-o arrefecer antes de efectuar qualquer tipo de manutenção.

- ◆ Limpe regularmente as aberturas de ventilação do aparelho com uma escova suave ou um pano seco.
- ◆ Para limpar o aparelho, utilize apenas sabão neutro e um pano húmido. Não utilize nenhum produto de limpeza abrasivo ou à base de solvente. Nunca deixe nenhum líquido entrar no aparelho e nunca submerja nenhuma parte do aparelho em líquido.

Protecção do ambiente



Recolha separada. Este produto não pode ser eliminado juntamente com os resíduos domésticos normais.

Se, em algum momento, verificar que o seu produto Black & Decker precisa de ser substituído ou que deixou de ter utilidade, não o elimine junto com os resíduos domésticos. Coloque-o disponível para uma recolha separada.



A recolha separada de produtos e embalagens usados permite que os materiais sejam reciclados e novamente utilizados. A reutilização de materiais reciclados ajuda a evitar a poluição ambiental e reduz a procura de matérias-primas.

A legislação local poderá prever a recolha separada de produtos domésticos eléctricos, seja em lixeiras municipais ou através do revendedor quando adquire um produto novo.

A Black & Decker dispõe de instalações para recolha e reciclagem de produtos Black & Decker quando estes atingem o fim da sua vida útil. Para usufruir deste serviço, devolva o produto em qualquer agente de reparação autorizado, que os recolherá em seu nome.

Pode verificar a localização do agente de reparação autorizado mais perto de si, contactando os escritórios locais da Black & Decker através do endereço indicado neste manual. Se preferir, pode encontrar na Internet uma lista de agentes de reparação autorizados Black & Decker, detalhes completos e contactos do serviço pós-venda, no endereço: www.2helpU.com.

Dados técnicos

	KX1692	KX1693
Tensão	Vac 230/240	230/240
Fabrico	Classe II	Classe II
Potência utilizada	W 1600	1800
Amplitude da temperatura	°C 140 - 560	140 - 560
Posição do interruptor	1 140°C	140°C
Posição do interruptor	2 560°C	380°C
Posição do interruptor	3 N/A	560°C
Peso	kg 0,75	0,75

Garantia

A Black & Decker confia na qualidade dos seus produtos e oferece uma garantia excelente. Esta declaração de garantia é um complemento dos seus direitos estabelecidos por lei, não os prejudicando de forma alguma. A garantia é válida nos territórios dos Estados Membros da União Europeia e da Associação Europeia de Comércio Livre.

Se um produto Black & Decker se avariar devido a defeitos de material, fabrico ou não conformidade, num período de 24 meses após a data da compra, a Black & Decker garante a substituição das peças defeituosas, a reparação de produtos sujeitos a um desgaste aceitável ou a substituição dos mesmos para garantir o mínimo de inconvenientes ao cliente, excepto se:

- ◆ O produto tiver sido utilizado para fins comerciais, profissionais ou de aluguer.
- ◆ O produto tiver sido submetido a utilização indevida ou descuido.
- ◆ O produto tiver sido danificado por objectos estranhos, substâncias ou acidentes.
- ◆ Tiverem sido tentadas reparações por pessoas que não sejam agentes de reparação autorizados ou técnicos de manutenção da Black & Decker.

Para accionar a garantia, terá de apresentar comprovativos de compra ao vendedor ou a um agente de reparação autorizado. Pode verificar a localização do agente de reparação autorizado mais perto de si, contactando os escritórios locais da Black & Decker através do endereço indicado neste manual. Se preferir, pode encontrar na Internet uma lista de agentes de reparação autorizados Black & Decker, detalhes completos e contactos do serviço pós-venda, no endereço:

www.2helpU.com

Visite o nosso website **www.blackanddecker.eu** para registar o novo produto Black & Decker e manter-se actualizado relativamente a novos produtos e ofertas especiais. Pode encontrar mais informações sobre a marca Black & Decker e nossa gama de produtos em

www.blackanddecker.eu.

Användningsområde

Denna varmluftspistol från Black & Decker är avsedd för olika värmebehandlande åtgärder, bl.a. färgborttagning.

Produkten är endast avsedd som konsumentverktyg och för inomhusbruk.

Säkerhetsinstruktioner

Allmänna säkerhetsregler



Varning! Läs alla säkerhetsföreskrifter och alla anvisningar. Om anvisningarna nedan inte följs kan det orsaka elektriska stötar, brand och/eller allvarliga kroppsskador.

Spara alla säkerhetsföreskrifter och anvisningar för framtida bruk.

Nedan använt begrepp "Elverktyg" hänför sig till nätdrivna elverktyg (med nätsladd) och till batteridrivna elverktyg (sladdlösa).

1. Säkerhet i arbetsområdet

- Håll arbetsplatsen ren och välbelyst.** Ordning på arbetsplatsen och dåligt belyst arbetsområde kan leda till olyckor.
- Använd inte elverktyget i explosionsfarlig omgivning med brännbara vätskor, gaser eller damm.** Elverktygen alstrar gnistor som kan antända dammet eller gaserna.
- Håll under arbetet med elverktyget barn och andra personer på betryggande avstånd.** Om du blir störd kan du förlora kontrollen över elverktyget.

2. Elektrisk säkerhet

- Elverktygets stickkontakt måste passa till eluttaget. Stickkontakten får absolut inte ändras. Använd inte adapterkontakter tillsammans med jordade elverktyg.** Med oförändrade stickkontakter och passande vägguttag minskar risken för elstötar.
- Undvik kroppskontakt med jordade ytor som t.ex. rör, värmeelement, spisar och kylskåp.** Risken för elektriska stötar ökar om din kropp är jordad.
- Skydda elverktyget mot regn och väta.** Om vatten tränger in i ett elverktyg ökar risken för elektriska stötar.
- Hantera inte nätsladden ovarsamt. Använd inte sladden för att bära eller dra elverktyget och inte heller för att dra ut verktyget ur vägguttaget. Håll nätsladden borta från värme, olja, skarpa kanter och rörliga maskindelar.** Risken att du får en elstöt är större om sladdarna är skadade eller tilltrasslade.

- Använd endast förlängningssladdar som är godkända för utomhusbruk när du arbetar med elverktyg utomhus.** Om du använder en förlängningssladd som är avsedd för utomhusbruk minskar risken för att du ska få en elstöt.

- Om du måste använda ett elverktyg på en fuktig plats ska du använda jordfelsbrytare.** Jordfelsbrytaren minskar risken för stötar/elchock.

3. Personlig säkerhet

- Var uppmärksam, se på vad du gör och använd elverktyget med förnuft. Använd inte elverktyget när du är trött eller om du är påverkad av droger, alkohol eller mediciner.** Under användning av elverktyg kan även en kort uppmärksamhet leda till allvarliga kroppsskador.
- Använd skyddsutrustning. Bär alltid skyddsglasögon.** Den personliga skyddsutrustningen, t.ex. dammfiltermask, halkfria säkerhetsskor, hjälm och hörselskydd, reducerar risken för kroppsskada när den används vid rätt tillfällen.
- Undvik oavsiktlig igångsättning. Kontrollera att strömbrytaren står i avstängt läge innan du ansluter verktyget till elnätet eller sätter i batteriet, samt innan du tar upp eller bär verktyget.** Det kan vara mycket farligt att bära ett elverktyg med fingret på strömbrytaren eller koppla det till nätet respektive sätta i batteriet med strömbrytaren i till-läge.
- Ta bort alla inställningsverktyg och skruvnycklar innan du startar elverktyget.** Ett verktyg eller en nyckel i en roterande komponent kan orsaka kroppsskada.
- Sträck dig inte för långt. Se till att du alltid har säker fotfäste och balans.** Därmed har du bättre kontroll över elverktyget i oväntade situationer.
- Bär lämpliga kläder. Bär inte löst hängande kläder eller smycken. Håll undan hår, kläder och handskar från rörliga delar.** Löst hängande kläder, smycken och långt hår kan fastna i roterande delar.
- Om elverktyget har dammsugnings- och uppsamlingsutrustning, kontrollera att anordningarna är rätt monterade och används på korrekt sätt.** Dessa anordningar reducerar de risker som kan uppstå i samband med damm.

4. Bruk och skötsel av elverktyg

- Överbelasta inte elverktyget. Använd rätt elverktyg för det aktuella arbetet.** Med rätt elverktyg kan du arbeta bättre och säkrare med det som verktyget är avsett för.

- b. Använd inte elverktyget om det inte går att starta och stänga av det med strömbrytaren.** Ett elverktyg som inte kan startas och stängas av med strömbrytaren är farligt och måste repareras.
- c. Dra stickproppen ur vägguttaget och/eller ta ur batteriet ur elverktyget innan inställningar utförs, tillbehörsdelar byts ut eller elverktyget ställs undan.** Denna skyddsåtgärd förhindrar oavsiktlig inkoppling av elverktyget.
- d. Förvara elverktygen utom räckhåll för barn. Låt inte elverktyget användas av personer som inte är vana vid det, eller som inte läst denna bruksanvisning.** Elverktyg är farliga om de används av ovana personer.
- e. Sköt elverktyget omsorgsfullt. Kontrollera att rörliga komponenter fungerar felfritt och inte kärvar, att komponenter inte brustit eller skadats och inget annat föreligger som kan påverka elverktygets funktioner. Om elverktyget är skadat, se till att få det reparerat innan det används.** Många olyckor orsakas av dåligt skötta elverktyg.
- f. Håll skärverktyg vassa och rena.** Omsorgsfullt skötta skärverktyg med skarpa eggar fastnar inte så lätt och är lättare att hantera.
- g. Använd elverktyget, tillbehör, insatsverktyg osv. enligt dessa anvisningar och på sätt som föreskrivits för aktuell verktygsmodell. Ta hänsyn till arbetsvillkoren och arbetsmomenten.** Används elverktyget på icke ändamålsenligt sätt kan farliga situationer uppstå.
- 5. Service**
- a. Låt endast kvalificerad fackpersonal reparera elverktyget och använd endast originalreservdelar.** Detta garanterar att elverktyget förblir säkert.

Ytterligare säkerhetsanvisningar



Varning! Ytterligare säkerhetsföreskrifter för varmluftspistoler.

Varning! Ej för utomhusbruk. Endast för användning inomhus.

Varning! Apparaten ska inte användas av personer (inklusive barn) med nedsatt fysisk eller mental förmåga eller bristande erfarenhet och kunskap, om de inte får vägledning och övervakas av en person som ansvarar för deras säkerhet.

Varning! Barn måste hållas under uppsikt så att de inte leker med redskapet.

Varning! Verktyget måste placeras på sitt stativ när den inte används.

Varning! Om verktyget används oförsiktigt kan det leda till eldsvåda. Var därför försiktig när du använder verktyget på platser där det finns lättantändliga material;

- ◆ Rikta inte värmen mot samma ställe under lång tid;
- ◆ Använd inte verktyget i explosionsfarlig omgivning;
- ◆ Var medveten om att värmen kan ledas vidare till lättantändliga material som inte är omedelbart synliga;
- ◆ Efter användning ska du placera verktyget på dess stativ och låta det svalna innan du ställer undan det.
- ◆ Verktyget ska alltid hållas under uppsikt när det är påslaget.
- ◆ Tapp inte igen luftintagen eller munstycket, eftersom detta kan leda till att verktyget överhettas och därigenom skadas.
- ◆ Rikta inte den varma luftströmmen mot människor eller djur.
- ◆ Rör inte munstycket. Det blir mycket varmt vid användning och förblir varmt i upp till 30 minuter efter det att verktyget stängts av.
- ◆ Låt inte munstycket komma i kontakt med något föremål under eller omedelbart efter användning.
- ◆ För inte in något föremål i munstycket; du kan få en elektrisk stöt.
- ◆ Titta inte in i munstycket medan verktyget är påslaget.
- ◆ Använd inte verktyget som hårtork! Den utströmmande luften är mycket varmare än luften från en hårtork.
- ◆ Sörj för god ventilation under användning, då giftiga gaser kan uppstå.
- ◆ Använd inte verktyget i en fuktig eller våt omgivning.
- ◆ När du tar bort färg ska du se till att arbetsområdet är avspärrat. Använd en specialkonstruerad ansiktsmask som skyddar mot blyhaltigt damm eller ångor, samt se till att personer som vistas på, eller kommer i närheten av arbetsplatsen också är skyddade.
- ◆ Bränn inte färgen, eftersom detta medför risk för eldsvåda.
- ◆ Låt inte färg fastna på munstycket, eftersom den kan antändas efter en stund.
- ◆ Innan tillbehör monteras måste verktyget stängas av och svalna.

Ta bort blybaserad färg

- ◆ Yttersta försiktighet ska iakttas vid färgborttagning. Färgflagor, färgrester och gaser från färgen kan innehålla bly, som är giftigt. Alla byggnader från 1960 och tidigare kan ha målats med färg som innehåller bly. Denna färg kan senare ha täckts över med ytterligare färglager. Man kan få i sig bly som strukits på en yta om man tar på ytan med händerna och sedan låter händerna komma i kontakt med munnen.

- ◆ Om man utsätts för bly, även i små mängder, kan man få allvarliga och oläkbara skador på hjärnan och nervsystemet. Barn och gravida kvinnor löper störst risk att råka ut för blyförgiftning.
- ◆ Innan du påbörjar arbetet är det viktigt att du tar reda på om färgen som ska tas bort innehåller bly. Detta kan göras med en testutrustning eller av en fackman. Avstå från att äta, dricka och röka på en arbetsplats som kan vara förorenad av bly. Blybaserade färger bör endast tas bort av fackmän, och de bör inte tas bort med hjälp av varmluftspistol.

Etiketter



Läs hela den här bruksanvisningen noggrant innan du använder ditt verktyg.

Elektrisk säkerhet



Eftersom produkten är dubbelisolerad behövs ingen jordledare. Kontrollera alltid att nätspänningen överensstämmer med värdet på typskylten.

- ◆ Om nätsladden är skadad måste den för undvikande av fara bytas ut av tillverkaren eller en auktoriserad Black & Decker-verkstad.

Förlängningskablar

- ◆ Eftersom verktyget är skyddsjordat och konstruerat enligt klass II kan en två- eller tretrådig kabel användas.
- ◆ Kabeln kan vara upp till 30 m lång utan att effekten försämras.

Funktioner

1. Munstycke
2. Hål för luftintag
3. Frigöringsknapp för vinkelledshandtaget
4. Strömbrytare för värme (på/av)
5. Upphångningsöglor
6. Stativ
7. Värmeskydd

fig. A

10. Black & Deckers munstycke

fig. G - J

12. Munstycke med flat stråle
13. Glasskyddsmunstycke
14. Reflektormunstycke
15. Konmunstycke
16. Handskrapa

Montering (fig. A och B)

Varning! Se till att verktyget är avstängt samt att det inte är anslutet innan du påbörjar monteringen.

Varning! Se till att verktyget är avstängt och svalt innan du sätter på eller tar av tillbehörsdelar.

Varmluftspistolen levereras med en integrerad Black & Decker-skrapa.

- ◆ Placera skaran på skrapbladet (9) ovanpå upphöjningen på bladhållaren (10) och sätt i skruven (8).

Obs! Se till att hålet i skrapan (9) är till vänster om skruven (8) i bladhållaren (10).

- ◆ Dra åt skruven (8).
- ◆ Placera bladhållaren (10) över verktygets fasta munstycke (1). Se till att den lilla upphöjningen på insidan av bladhållaren (10) glider in i nedsänkningen på munstycket.
- ◆ Dra åt klämskruven på bladhållaren (11).

Din varmluftspistol (endast KX1693) är även utrustad med följande fyra munstycken. För bästa resultat rekommenderar vi att du alltid använder munstyckena.

Munstycke med flat stråle (12) – perfekt för att ta bort färg eller lack från stora, flata ytor.

Konmunstycke (15) – Koncentrerar luftströmmen till en mindre, mer samlad yta.

Reflektormunstycke (14) – sprider luften jämnt runt hela föremålet.

Glasskyddsmunstycke (13) – för att skydda glas vid färgborttagning.

- ◆ Sätt den anslutande änden av tillbehöret över verktygets fasta munstycke (1).

Verktyget levereras även med en handskrapa för manuell borttagning av färg och lack.

Handtag med två positioner (fig. C)

Din varmluftspistol är mycket flexibel. Handtaget har två positioner, vilket gör att verktyget utan besvär kan användas för många olika uppgifter. Det är konstruerat så att det ska kunna användas med både pistolgrepp (a) och rakt grepp (b).

- ◆ Du byter grepp (a eller b) genom att hålla ner handtagets frigöringsknapp (3) och vrida handtaget 180 grader.

Användning

Använda varmluftspistolen (fig. D)

- ◆ Sätt på varmluftspistolen genom att föra strömbrytaren (4) framåt till läge 1, 2 eller 3 (läge 3 endast tillgängligt på modell KX1693).

Obs! Siffrorna anger värmenivån. Nivåerna beskrivs under Tekniska data i slutet av bruksanvisningen.

- ◆ Stäng av varmluftspistolen genom att föra tillbaka strömbrytaren (4) så att position 0 visas.

Använda verktyget

- ◆ Låt verktyget bli varmt under några sekunder innan du börjar använda det.

Obs! Första gången du använder det kan lite rök komma från munstycket. Detta är normalt och avtar snart.

- ◆ **Låg** – använd låg temperatur för torkning av färg och lack, borttagning av klistermärken, krympning av isoleringsrör och upptining av frusna rör.
- ◆ **Mellan** (KX1693) – använd det mellersta värmeläget vid plastsvetsning, böjning av plaströr samt för att lossa bultar och muttrar som sitter fast.
- ◆ **Hög** – Använd hög temperatur för borttagning av färg och lack samt för att löda rörledningsskarvar.

Om du är osäker på vilken arbetstemperatur du ska välja för ett speciellt material ska du börja med att ställa in en låg temperatur. Gör sedan ett prov på en bit material som ska slängas.

Ta bort värmeskyddet

Vid arbeten på speciellt svåråtkomliga ställen kan värmeskyddet (7) tas av.

Varning! Se till att verktyget är avstängt och svalt innan du sätter på eller tar av värmeskyddet.

Varning! Risken för brännskador är större när man använder verktyget utan värmeskyddet.

- ◆ Montera av värmeskyddet (7) genom att vrida det moturs och ta av det från varmluftspistolen.
- ◆ Montera på värmeskyddet (7) och sätt fast det genom att vrida det medurs.

Använda verktyget fristående (fig. E)

Varning! Rikta alltid verktyget bort från dig själv och från andra. Vidrör inte munstycket. Var noga med att inte låta material droppa eller falla in i munstycket.

Varmluftspistolen har ett stativ (6), med vilket den kan användas fristående.

- ◆ Vrid handtaget till den raka positionen (fig. C b).
- ◆ Placera varmluftspistolen på en yta där den inte kan välta.
- ◆ Säkra kabeln, så att verktyget inte kan vältras om någon skulle komma åt kabeln.

Färgborttagning (fig. G - J)

Obs! Munstyckena som visas i fig. G till J levereras endast med modell KX1693.

Varning! Rikta alltid verktyget bort från dig själv och från andra. Vidrör inte munstycket. Var noga med att inte låta material droppa eller falla in i munstycket.

- ◆ Rikta den varma luftströmmen mot arbetsytan för att värma upp färgen.
 - ◆ Bränn inte färgen. Håll munstycket minst 25 mm från ytan.
 - ◆ När färgen mjuknar tar du bort färgen med en skrapa. Skrapa bort den mjuka färgen omedelbart, annars blir den hård igen.
 - ◆ Om det är möjligt ska du alltid skrapa i verkets fiberriktning.
 - ◆ Låt inte färg och skräp samlas på skrapan.
 - ◆ När du skrapar från en vertikal position ska du skrapa nedåt, så att färg inte faller in i munstycket.
 - ◆ När du tar bort färg från en yta som gränsar till glas ska du vara noga med att skydda glaset från värmen.
- Varning!** Använd ett glasskyddsmunstycke när du tar bort färg från fönster med metall- eller träkarmer.
- ◆ Släng alla färgrester på ett säkert sätt och se till att arbetsområdet är helt rent efter arbetet.

Avsvalning (fig. F)

Under användningen blir munstycket på varmluftspistolen extremt varmt.

- ◆ När du har stängt av varmluftspistolen ska du hänga upp den i upphängningsögla (5) eller ställa den på stativet (6) enligt anvisningarna i stycket "Använda verktyget fristående".
- ◆ Låt varmluftspistolen svalna i minst 30 minuter.
- ◆ Du kan påskynda avsvalningen genom att köra verktyget på den lägsta temperaturen under några minuter innan du stänger av det.

Underhåll

Detta Black & Decker-verktyg har tillverkats för att fungera under lång tid med ett minimum av underhåll. Med rätt underhåll och regelbunden rengöring kommer det att fungera på ett tillfredsställande sätt.

Varning! Innan något underhåll utförs måste verktyget stängas av och sladden dras ur vägguttaget. Dessutom måste verktyget svalna.

- ◆ Rengör regelbundet apparatens luftintag med en mjuk borste eller torr trasa.
- ◆ Använd bara mild tvål och en fuktig trasa för att rengöra verktyget. Använd aldrig rengöringsmedel med lösningsmedel eller slipmedel. Låt aldrig någon vätska komma in i verktyget och doppa det aldrig i någon vätska.

Miljö



Separat insamling. Produkten får inte kastas i hushållssoporna.

Tänk på miljön när du slänger denna Black & Decker-produkt. Släng den inte tillsammans med hushållsavfallet. Lämna produkten för separat insamling.



Insamling av uttjänta produkter och förpackningsmaterial gör att material kan återanvändas. Användning av återvunnet material minskar föroreningar av miljön och behovet av råmaterial.

Lokala föreskrifter kan kräva separat insamling av elprodukter från hushållen, vid kommunala samlingsplatser eller hos återförsäljaren när du köper en ny produkt.

Black & Decker samlar in och återvinner uttjänta Black & Decker-produkter. Om du vill utnyttja denna tjänst återlämnar du produkten till en auktoriserad verkstad, som samlar in den för vår räkning.

För information om närmaste auktoriserade verkstad, kontakta det lokala Black & Decker-kontoret på den adress som är angiven i bruksanvisningen. En lista över alla auktoriserade verkstäder samt servicevillkor finns även tillgänglig på Internet: www.2helpU.com.

Tekniska data

	KX1692	KX1693
Spänning	VAC 230/240	230/240
Konstruktion	Klass II	Klass II
Ineffekt	W 1 600	1 800
Temperaturomfång	°C 140 - 560	140 - 560
Strömbrytarläge	1 140 °C	140 °C
Strömbrytarläge	2 560 °C	380 °C
Strömbrytarläge	3 ej tillg.	560 °C
Vikt	kg 0,75	0,75

Garanti

Black & Decker garanterar att produkten är fri från material- och/eller fabriktionsfel vid leverans till kund. Garantin gäller utöver konsumentens rättigheter enligt lag och påverkar inte dessa. Garantin gäller inom medlemsstaterna i Europeiska Unionen och i det Europeiska Frihandelsområdet.

Om en Black & Decker-produkt går sönder på grund av material- och/eller fabriktionsfel eller brister i överensstämmelse med specifikationen, inom 24 månader från köpet, åtar sig Black & Decker att reparera eller byta ut produkten med minsta besvär för kunden, förutom om:

- ◆ Produkten har använts i kommersiellt, yrkesmässigt eller uthyrningssyfte.
- ◆ Produkten har utsatts för felaktig användning eller skötsel.
- ◆ Produkten har skadats av främmande föremål, ämnen eller genom olyckshändelse.
- ◆ Reparation har utförts av någon annan än en auktoriserad Black & Decker-verkstad.

För att utnyttja garantin skall produkten och inköpskvittot lämnas till återförsäljaren eller till en auktoriserad verkstad senast 2 månader efter det att felet har upptäckts. För information om närmaste auktoriserad verkstad, kontakta det lokala Black & Decker-kontoret på den adress som är angiven i bruksanvisningen. En lista på alla auktoriserade verkstäder samt servicevillkor finns även tillgängliga på Internet:

www.2helpU.com

Besök vår webbplats www.blackanddecker.se för att registrera din nya Black & Decker-produkt och för att få information om nya produkter och specialerbjudanden. Ytterligare information om märket Black & Decker och vårt produktsortiment återfinns på www.blackanddecker.se

Bruksområde

Denne varmluftpistolen fra Black & Decker er konstruert for ulike oppvarmingsanvendelser, for eksempel malingsfjerning. Verktøyet er beregnet bare som konsumentverktøy og til innendørs bruk.

Sikkerhetsinstruksjoner

Generelle sikkerhetsforskrifter



Advarsel! Les alle sikkerhetsadvarsler og alle instruksjoner. Hvis ikke alle instruksjonene blir fulgt, kan det medføre elektrisk støt, brann og/eller alvorlige skader.

Ta vare på alle advarsler og instruksjoner for fremtidig bruk.

Uttrykket "elektroverktøy" i alle advarslene nedenfor gjelder for strømdrevne elektroverktøy (med ledning) og batteridrevne elektroverktøy (uten ledning).

1. Sikkerhet i arbeidsområdet

- Hold arbeidsområdet rent og godt opplyst.** Rotete arbeidsområder og arbeidsområder uten lys kan føre til ulykker.
- Ikke arbeid med elektroverktøy i eksplosjonsfarlige omgivelser – der det finnes seg brennbare væsker, gass eller støv.** Elektroverktøy forårsaker gnister som kan antenne støv eller damper.
- Hold barn og andre personer unna når elektroverktøyet brukes.** Hvis du blir forstyrret under arbeidet, kan du miste kontrollen.

2. Elektrisk sikkerhet

- Støpselet til elektroverktøyet må passe inn i stikkontakten. Støpselet må ikke forandres på noen som helst måte. Ikke bruk adapterstøpsler sammen med jordede elektroverktøy.** Bruk av originale støpsler og passende stikkontakter reduserer risikoen for elektrisk støt.
- Unngå kroppskontakt med jordede overflater som rør, radiatorer, komfyrer og kjøleskap.** Det er større fare for elektrisk støt dersom kroppen din er jordet.
- Hold elektroverktøy unna regn eller fuktighet.** Dersom det kommer vann i et elektroverktøy, øker faren for elektrisk støt.

- Unngå uforsvarlig behandling av ledningen.** Elektroverktøyet må aldri bæres eller trekkes etter ledningen, og trekk heller ikke ut støpselet ved å rykke i ledningen. Hold ledningen unna varme, olje, skarpe kanter eller bevegelige deler. Med skadde eller sammenflokede ledninger øker risikoen for elektrisk støt.
 - Når du arbeider utendørs med et elektroverktøy, må du kun bruke en skjøteledning som er godkjent til utendørs bruk.** Når du bruker en skjøteledning som er egnet for utendørs bruk, reduseres risikoen for elektrisk støt.
 - Hvis du ikke kan unngå å bruke et elektroverktøy på et fuktig sted, bruker du strømforsyning som er beskyttet med jordfeilbryter.** Bruk av jordfeilbryter reduserer risikoen for elektrisk støt.
- ### 3. Personikkerhet
- Vær oppmerksom, pass på hva du gjør, og vis fornuft når du arbeider med et elektroverktøy. Ikke bruk elektroverktøy når du er trett eller er påvirket av narkotika, alkohol eller medikamenter.** Et øyeblikks uoppmerksomhet under bruk av verktøyet kan føre til alvorlige personskader.
 - Bruk personlig verneutstyr. Bruk alltid vernebriller.** Bruk av personlig verneutstyr, for eksempel støvmaske, sklisklede vernesko, hjelm eller hørselsvern som passer til forholdene, reduserer risikoen for personskader.
 - Forhindre utilsiktet start av elektroverktøyet. Kontroller at bryteren står i posisjon "av" før du kobler til strømkilden og/eller batteripakken, og før du tar opp eller bærer verktøyet.** Det kan føre til ulykker hvis du bærer elektroverktøyet med fingeren på bryteren, eller kobler til verktøyet når bryteren ikke står i posisjon "av".
 - Fjern innstillingsverktøy eller skrunøkler før du slår på elektroverktøyet.** Et verktøy eller en nøkkel som befinner seg i en roterende del, kan forårsake personskade.
 - Ikke strekk deg for langt. Pass på at du alltid har sikkert fotfeste og god balanse.** Da kan du kontrollere elektroverktøyet bedre i uventede situasjoner.
 - Bruk alltid egnede klær. Ikke bruk løstsittende klær eller smykker. Hold hår, klær og hansker unna bevegelige deler.** Løstsittende klær, smykker eller langt hår kan komme inn i bevegelige deler.
 - Hvis det kan monteres støvavsug- og oppsamlingsinnretninger, må du forvise deg om at disse er tilkoblet og brukes på riktig måte.** Bruk av disse innretningene reduserer faren for forbindelse med støv.

4. Aktsom håndtering og bruk av elektroverktøy

- a. **Ikke bruk makt på elektroverktøyet. Bruk et elektroverktøy som er beregnet på den type arbeid du vil utføre.** Med et passende elektroverktøy arbeider du bedre og sikrere i det angitte effektområdet.
 - b. **Ikke bruk elektroverktøy med defekt strømbryter.** Et elektroverktøy som ikke kan kontrolleres med bryteren, er farlig og må repareres.
 - c. **Trekk støpselet ut av stikkkontakten og/eller koble fra batteripakken på elektroverktøyet før du utfører innstillinger, skifter tilbehørsdeler eller legger elektroverktøyet bort.** Disse forebyggende sikkerhetstiltakene reduserer risikoen for utilsiktet start av elektroverktøyet.
 - d. **Elektroverktøy som ikke er i bruk, må oppbevares utilgjengelig for barn. Ikke la verktøyet brukes av personer som ikke er fortrolig med det, eller som ikke har lest denne bruksanvisningen.** Elektroverktøy er farlige når de brukes av uerfarne personer.
 - e. **Vær nøye med vedlikehold av elektroverktøy. Kontroller at bevegelige deler fungerer feilfritt og ikke klemmes fast, om deler er brukt eller skadet, og andre forhold som kan innvirke på elektroverktøyets funksjon. Hvis elektroverktøyet er skadet, må det repareres før bruk.** Dårlig vedlikeholdte elektroverktøy er årsaken til mange uhell.
 - f. **Hold skjæreverktøy skarpe og rene.** Godt vedlikeholdte skjæreverktøy med skarpe egger setter seg ikke så ofte fast og er lettere å føre.
 - g. **Bruk elektroverktøy, tilbehør, bits osv. i henhold til disse instruksjonene. Ta hensyn til arbeidsforholdene og arbeidet som skal utføres.** Bruk av elektroverktøy til andre formål enn det som er angitt, kan føre til farlige situasjoner.
5. **Service**
 - h. **Elektroverktøyet ditt skal alltid repareres av kvalifisert personell og kun med originale reservedeler.** Dette sikrer at elektroverktøyets sikkerhet opprettholdes.

Ytterligere sikkerhetsadvarsler



Advarsel! Ekstra sikkerhetsinstruksjoner for varmluftpistoler.

Advarsel! Må ikke brukes utendørs. Bare for innendørs bruk.

Advarsel! Det er ikke meningen at dette apparatet skal brukes av personer (inkludert barn) med reduserte fysiske, sansemessige eller mentale evner, eller som mangler erfaring og kunnskap, med mindre de har fått oppfølging

eller instruksjon når det gjelder bruken av apparatet, fra en person som er ansvarlig for deres sikkerhet.

Advarsel! Barn skal være under oppsyn så det sikres at de ikke leker med apparatet.

Advarsel! Dette apparatet må plasseres på stativet når det ikke er i bruk.

Advarsel! Det kan oppstå brann hvis ikke apparatet brukes med varsomhet. Vær derfor varsom når du bruker apparatet på steder med brennbare materialer.

- ◆ Ikke rett varme mot samme sted i lang tid.
- ◆ Skal ikke brukes der det forekommer eksplosiv atmosfære.
- ◆ Vær klar over at varme kan bli ledet til brennbare materialer du ikke ser.
- ◆ Sett apparatet på stativet etter bruk, og la det kjølnes før det oppbevares.
- ◆ Ikke la apparatet være uten tilsyn når det er på.
- ◆ Ikke blokker sporene for luftinntak eller munnstykkeuttaket, da dette kan forårsake for sterk varmeoppbygging som kan gi skade på apparatet.
- ◆ Du må ikke rette den varme luftstrømmen mot andre personer eller mot dyr.
- ◆ Ikke rør munnstykket, siden det blir veldig varmt under bruk og forblir varmt i inntil 30 minutter etter bruk.
- ◆ Ikke plasser munnstykket mot noen gjenstand under eller umiddelbart etter bruk.
- ◆ Ikke stikk noe inn i munnstykket, da du kan få elektrisk støt.
- ◆ Ikke lås munnstykket mens apparatet er på.
- ◆ Ikke bruk apparatet som hårtørker! Lufttemperaturen er mye høyere enn for en hårtørker.
- ◆ Sørg for tilstrekkelig ventilasjon under bruk, da det kan bli dannet giftig damp.
- ◆ Ikke bruk apparatet i fuktig luft.
- ◆ Sørg for at arbeidsområdet er avluket når du fjerner maling. Bruk en spesialmaske som verner mot støv fra blymaling og damp, og pass på at andre som oppholder seg eller kommer inn i området der du arbeider, også beskyttes seg.
- ◆ Ikke brenn maling. Det kan gi brannfare.
- ◆ Ikke la det feste seg maling på munnstykket, da den kan bli antent etter en tid.
- ◆ Slå av apparatet og la det kjølnes før du setter på noe tilbehør.

Fjerning av blybasert maling.

- ◆ Vis meget stor varsomhet når du fjerner maling. Malingflak, rester og damper fra maling kan inneholde bly, som er giftig. Bygninger fra før 1960 kan før i tiden ha blitt malt med maling som inneholder bly. Denne malingen kan være dekket med flere lag maling. Når den er lagt på overflater, kan kontakt fra hånd til munn føre til inntak av bly.

- ◆ Eksponeringer for selv lave nivåer av bly kan forårsake uoprettelig skade på hjernen og nervesystemet. Barn og gravide har størst fare for blyforgiftning.
- ◆ Før du starter arbeidet, er det viktig å finne ut om malingen som skal fjernes, inneholder bly. Dette kan gjøres ved hjelp av et testsett eller av en profesjonell maler. Ikke røyk, spis eller drikk i et arbeidsområde som kan være forurenset av bly. Blybasert maling skal bare fjernes av profesjonelle og skal ikke fjernes med varmpistol.

Merking



Les hele denne håndboken nøye før du bruker apparatet.

Elektrisk sikkerhet



Dette produktet er dobbeltisolert. Jording er derfor ikke nødvendig. Kontroller alltid at strømforsyningen er i overensstemmelse med spenningen på typeskiltet.

- ◆ Hvis strømforsyningen blir skadet, må den skiftes av produsenten eller et autorisert Black & Decker-servicesenter for å unngå fare.

Skjøteledninger

- ◆ Det kan finnes kabel med to eller tre ledere, siden apparatet er dobbeltisolert og av klasse II.
- ◆ Avstanden kan være 30 m (100 ft) uten tap av effekt.

Funksjoner

1. Munnstykke
2. Luftinntakshull
3. Utløserknapp for dreibart håndtak
4. Varmeinnstillingsbryter (på/av)
5. Opphengsring
6. Stativ
7. Varmebeskyttelse

Figur A

10. Black & Decker-munnstykke

Figur G–J

12. Fiskehalemunnstykke
13. Glassbeskyttelsesmunnstykke
14. Skjereflektormunnstykke
15. Konisk munnstykke
16. Manuell skrape

Montering (figur A og B)

Advarsel! Før monteringen må du passe på at apparatet er slått av, og at kontakten er trukket ut.

Advarsel! Pass på at apparatet er slått av og at det er avkjølt før du setter på eller fjerner tilbehøret.

Varmluftpistolen leveres med en integrert Black & Decker-skrape.

- ◆ Plasser sporet på skrapebladet (9) overfor fremspringet på bladholderen (10), og plasser det under holdeskruen (8).

Merknad: Pass på at hullet i skrapen (9) er til venstre for skruen (8) i bladholderen (10).

- ◆ Stram holdeskruen (8).
- ◆ Plasser bladholderen (10) over munnstykkeuttaket (1). Pass på at det er plassert riktig. Den lille humpen på innsiden av bladholderen (10) passer i fordypningen på munnstykket.
- ◆ Stram holdeskruen til bladholderen (11).

Varmluftpistolen (bare KX1693) leveres også med de følgende fire munnstykkene. De blir best resultat hvis du alltid bruker munnstykke.

Fiskehalemunnstykke (12) – ideelt for å fjerne maling eller lakk fra store, plane overflater.

Konisk munnstykke (15) – konsentrerer luftstrømmen mot et mindre, mer konsentrert område.

Skjereflektormunnstykke (14) – sprer luften jevnt rundt hele gjenstanden.

Glassbeskyttelsesmunnstykke (13) – for beskyttelse av glass under fjerning av maling.

- ◆ Fest koblingsstykket til tilbehøret over munnstykket (1). Apparatet er også utstyrt med en manuell skrape for å fjerne maling og lakk.

Håndtak med to stillinger (figur C)

Apparatet er en svært anvendelig varmluftpistol med håndtak med to stillinger, som kan benyttes komfortabelt til mange anvendelser. Det er utformet slik at det kan brukes i pistolskjeftemodus (a) eller i rettlinjert modus (b).

- ◆ Når du skal endre stilling, holder du inne utløserknappen (3) og dreier håndtaket 180 grader.

Bruk

Bruke varmluftpistolen (figur D)

- ◆ Når du skal slå varmluftpistolen på, skyver du varmeinnstillingsbryteren (4) fremover til posisjon 1, 2 eller 3 (posisjon 3 finnes bare på KX1693).

Merknad: Posisjonsnumrene representerer varmeinnstillingene som er beskrevet i tabellen over tekniske data i slutten av håndboken.

- ◆ Når du skal slå varmluftpistolen av, trekker du varmeinnstillingsbryteren (4) bakover til av-posisjonen (O) vises.

Bruk av apparatet

- ◆ La apparatet bli varmet opp noen sekunder før bruk.
- Merknad:** Først kan det komme noe røyk ut av munnstykket. Dette er normalt og vil snart avta.
- ◆ **Lav** – Bruk en innstilling for lav temperatur for å tørke maling og lakk, fjerne etiketter, krympe isolasjonsrør og tine frosne rør.
- ◆ **Middels** (KX1693) – Bruk en innstilling for middels temperatur for å sveise plast, bøye plastrør og løsne mutre og skruer som sitter fast.
- ◆ **Høy** – Bruk en innstilling for høy temperatur for å fjerne maling og lakk og for å lodde rørforbindelser.

Hvis du er usikker når det gjelder bruk av dette apparatet på et bestemt materiale, starter du med en lav temperaturinnstilling og utfører en test på en skrapbit av materialet.

Ta av varmebeskyttelsen

Når du skal arbeide på spesielt trange steder, kan varmebeskyttelsen (7) tas av.

Advarsel! Pass på at apparatet er slått av og at det er avkjølt før du setter på eller fjerner varmebeskyttelsen.

Advarsel! Det er økt fare for å brenne seg når du arbeider uten varmebeskyttelsen.

- ◆ Du fjerner varmebeskyttelsen (7) ved å dreie den mot klokken og fjerne den fra varmluftpistolen.
- ◆ Sett varmebeskyttelsen (7) på varmluftpistolen igjen og fest den ved å dreie den med klokken.

Håndfri bruk (figur E)

Advarsel! Rett alltid apparatet bort fra deg selv eller andre personer. Ikke berør munnstykket. Pass på at ikke noe materiale faller inn i munnstykket.

Varmluftpistolen har et stativ (6) som muliggjør håndfri bruk.

- ◆ Sett varmluftpistolen i rettlinjert modus (figur C b).
- ◆ Plasser varmluftpistolen på en overflate der den ikke kan velte.
- ◆ Sikre kableten for å hindre at den kan velte apparatet.

Fjerning av maling (figurene G–J)

Merknad: Munnstykkene som vises i figurene G til J, leveres bare med KX1693.

Advarsel! Rett alltid apparatet bort fra deg selv eller andre personer. Ikke berør munnstykket. Pass på at ikke noe materiale faller inn i munnstykket.

- ◆ Rett den varme luften mot arbeidsområdet for å varme opp malingen.
- ◆ Ikke brenn malingen. Hold munnstykket minst 25 mm fra overflaten.
- ◆ Når malingen blir myk, fjerner du den med en skrape. Skrap bort den myke malingen straks, for ellers blir den hard igjen.

- ◆ Skrap i treets fiberretning der det er mulig.
- ◆ Ikke la det samle seg maling og rusk på skrapen.
- ◆ Når du skraper på et loddrett underlag, skraper du nedover så du hindrer at malingen faller tilbake i munnstykket.
- ◆ Når du fjerner maling fra en overflate ved siden av glass, treffer du nødvendige tiltak for å beskytte glasset mot varmen.

Advarsel! Bruk et glassbeskyttelsesmunnstykke når du fjerner maling fra vinduer med metall- eller trerammer.

- ◆ Kast alt malingsavfall på sikker måte, og pass på at arbeidsområdet er gjort grundig rent etter bruk.

Nedkjøling (figur F)

Under bruk blir munnstykket på varmluftpistolen svært varmt.

- ◆ Når du har skrudd den av, henger du varmluftpistolen i opphengsringen (5) eller bruker stativet (6) som beskrevet under håndfri bruk.
- ◆ La den avkjøles i minst 30 minutter.
- ◆ Hvis du vil redusere avkjølingstiden, kjører du apparatet på laveste temperaturinnstilling noen minutter før du slår apparatet av.

Vedlikehold

Black & Decker-apparatet ditt er konstruert for å være i drift over lengre tid med et minimum av vedlikehold. Apparatet er avhengig av godt vedlikehold og regelmessig rengjøring for å fungere som det skal til enhver tid.

Advarsel! Før du utfører vedlikehold på apparatet, må du slå det av, trekke ut støpselet og la apparatet kjølnes.

- ◆ Rengjør ventilasjonsåpningene i apparatet jevnlig med en myk børste eller tørr klut.
- ◆ Apparatet rengjøres bare med mild såpe og en fuktig klut. Ikke bruk slipende eller løsemiddelbaserte rengjøringsmidler. La det aldri sive væske inn i apparatet, og senk aldri noen deler av apparatet ned i væske.

Miljø



Separat fjerning. Dette produktet må ikke kastes sammen med husholdningsavfall.

Når Black & Decker-produktet er utslitt, skal det ikke kastes som husholdningsavfall. Dette produktet må kastes separat.



Hvis brukte produkter og emballasje leveres atskilt, kan materialer resirkuleres og brukes på nytt. Resirkulering av brukte produkter gir redusert miljøforurensing og mindre behov for råmaterialer.

Det kan være lokale bestemmelser for egen innsamling av elektriske produkter fra husstander, på kommunale avfallsplasser eller hos forhandleren når du kjøper et nytt produkt.

Black & Decker tar i mot brukte Black & Decker-produkter for resirkulering. Du kan levere produktet til et autorisert serviceverksted.

For informasjon om nærmeste autoriserte serviceverksted, kontakt ditt lokale Black & Decker-kontor på den adressen som er angitt i bruksanvisningen. Det finnes også en liste over autoriserte Black & Decker-serviceverksteder og opplysninger om ettersalgsservice og kontakter på Internett: www.2helpU.com.

Tekniske data

	KX1692	KX1693
Spenning	V AC 230/240	230/240
Konstruksjon	Klasse II	Klasse II
Inn-effekt	W 1600	1800
Temperaturområde	°C 140–560	140–560
Bryterposisjon	1 140 °C	140 °C
Bryterposisjon	2 560 °C	380 °C
Bryterposisjon	3 Ikke aktuell	560 °C
Vekt	kg 0,75	0,75

Garanti

Black & Decker er trygg på kvaliteten til sine produkter og tilbyr en enestående garanti. Denne garantierklæringen kommer i tillegg til dine lovbestemte rettigheter, og er ikke i konflikt med disse. Garantien er gyldig i EU- og EFTA-medlemsstatene.

Hvis et Black & Decker-produkt går i stykker på grunn av material- og/eller fabrikkasjonsfeil eller har mangler i forhold til spesifikasjonene, innen 24 måneder fra kjøpet, påtar Black & Decker seg å skifte ut defekte deler, reparere produkter som har vært utsatt for alminnelig slitasje, eller bytte ut slike produkter med minst mulig vanskelighet for kunden, med mindre:

- ◆ produktet har vært brukt i yrkes-/næringsvirksomhet eller til utleie.
- ◆ produktet har vært utsatt for feilaktig bruk eller mislighold.
- ◆ produktet har blitt skadet av fremmede gjenstander eller stoffer eller ved et uhell.
- ◆ reparasjoner er forsøkt utført av andre enn autoriserte serviceverksteder eller Black & Deckers serviceteknikere.

For å ta garantien i bruk skal produktet og kjøpekvitteing leveres til forhandleren eller til et autorisert serviceverksted. For informasjon om nærmeste autoriserte serviceverksted, kontakt ditt lokale Black & Decker-kontor på den adressen som er angitt i bruksanvisningen. En oversikt over autoriserte serviceverksteder og opplysninger om ettersalgsservice og kontakter er også tilgjengelig på Internett:

www.2helpU.com

Besøk vårt webområde www.blackanddecker.no å registrere ditt nye Black & Decker-produkt og for å holde deg oppdatert om nye produkter og spesialtilbud. Du finner mer informasjon om Black & Decker og produktutvalget vårt på www.blackanddecker.no

Anvendelsesområde

Din Black & Decker-varmepistol er beregnet til forskellige opvarmningsopgaver som f.eks. fjernelse af maling. Dette produkt er kun beregnet til privat og indendørs brug.

Sikkerhedsanvisninger

Generelle sikkerhedsregler



Advarsel! Læs alle sikkerhedsadvarsler og anvisninger. Hvis ikke alle anvisninger følges, kan der opstå risiko for elektrisk stød, brand og/eller alvorlige personskader.

Gem alle advarsler og anvisninger til senere brug.

Begrebet "elværktøj", der benyttes i nedenstående advarsler, henviser til netdrevne (med netledning) eller batteridrevne (uden netledning) maskiner.

1. Sikkerhed i arbejdsområdet

- a. **Sørg for, at arbejdsområdet er rent og ordentligt oplyst.** Uordentlige og uoplyste arbejdsområder øger risikoen for ulykke.
- b. **Brug ikke elværktøj i eksplosive omgivelser, f.eks. hvor der er brændbare væsker, gasser eller støv.** Elværktøj kan forårsage gnister, der kan antænde støv eller dampe.
- c. **Hold børn og andre personer på afstand, når elværktøjet er i brug.** Hvis man distraheres, kan man miste kontrollen over maskinen.

2. Elektricitet og sikkerhed

- a. **Elværktøjsstik skal passe til stikkontakten. Stikket må under ingen omstændigheder ændres. Brug ikke adapterstik sammen med jordforbundet elværktøj.** Uændrede stik, der passer til stikkontakterne, nedsætter risikoen for elektrisk stød.
- b. **Undgå kropskontakt med jordforbundne overflader som f.eks. rør, radiatorer, komfurer og køleskabe.** Hvis din krop er jordforbundet, øges risikoen for elektrisk stød.
- c. **Elværktøj må ikke udsættes for regn eller fugt.** Indtrængen af vand i elværktøj øger risikoen for elektrisk stød.
- d. **Undgå at ødelægge ledningen. Undgå at bære, trække eller afbryde elværktøjet ved at rykke i ledningen. Beskyt ledningen mod varme, olie, skarpe kanter eller maskindele, der er i bevægelse.** Beskadede eller udviklede ledninger øger risikoen for elektrisk stød.

- e. **Hvis elværktøj benyttes i det fri, skal der benyttes en forlængerledning, som er godkendt til udendørs brug.** Brug af en forlængerledning til udendørs brug nedsætter risikoen for elektrisk stød.
- f. **Brug en strømkilde med fejlstrømsbeskyttelse, hvis det er nødvendigt at anvende elværktøj på fugtige steder.** Med en fejlstrømsbeskyttelse reduceres risikoen for elektrisk stød.

3. Personlig sikkerhed

- a. **Vær opmærksom, hold øje med, hvad du laver, og brug elværktøjet fornuftigt. Brug ikke maskinen, hvis du er træt, har indtaget alkohol eller er påvirket af medicin eller euforiserende stoffer.** Få sekunders uopmærksomhed under brug af elværktøjet kan føre til alvorlige personskader.
 - b. **Brug personlige værnemidler. Brug altid beskyttelsesbriller.** Brug af værnemidler som f.eks. støvmaske, skridsikket fodtøj, beskyttelseshjelm eller høreværn nedsætter risikoen for personskader, hvis udstyret anvendes korrekt.
 - c. **Sørg for, at apparatet ikke kan starte utilsigtet. Kontroller, at startknappen ikke er aktiveret, inden apparatet tilsluttes strømkilden og/eller batteriet, samles op eller bæres.** Bæres elværktøj, mens fingeren er på kontakten, eller tilsluttes det, mens kontakten står på tændt, kan der nemt ske en ulykke.
 - d. **Fjern indstillingsværktøj eller skruenøgle, inden elværktøjet tændes.** Et værktøj eller en nøgle, der efterlades i en roterende del i elværktøjet, kan resultere i personskader.
 - e. **Stræk dig ikke for langt. Sørg for, at du altid har sikkert fodfæste og balance.** Det gør det nemmere at kontrollere elværktøjet, hvis der skulle opstå uventede situationer.
 - f. **Brug egnet arbejdstøj. Undgå løse beklædningsgenstande eller smykker. Hold hår, tøj og handsker væk fra dele, der bevæger sig.** Bevægelige dele kan gribe fat i løstsiddende tøj, smykker eller langt hår.
 - g. **Hvis støvudsugnings- og opsamlingsudstyr kan monteres, er det vigtigt, at dette tilsluttes og benyttes korrekt.** Brug af dette udstyr nedsætter risikoen for skader forårsaget af støv.
- #### 4. Brug og vedligeholdelse af elværktøj
- a. **Undgå at overbelaste elværktøjet. Brug altid det rette elværktøj til opgaven.** Med det rigtige elværktøj udføres arbejdet lettere og sikrere og i det tempo, som værktøjet er beregnet til.

- b. Brug ikke elværktøjet, hvis startknappen er defekt.** Elværktøj, der ikke kan reguleres med startknappen, er farligt og skal repareres.
- c. Træk stikket ud af stikkontakten og/eller batteriet inden indstilling, tilbehørsudskiftning eller opbevaring af elværktøjet.** Disse sikkerhedsforanstaltninger reducerer risikoen for utilsigtet start af værktøjet.
- d. Opbevar ubenyttet elværktøj uden for børns rækkevidde. Lad aldrig personer, der ikke er fortrolige med elværktøj, eller som ikke har gennemlæst denne vejledning, benytte maskinen.** Elværktøj er farligt, hvis det benyttes af ukundige personer.
- e. Elværktøj bør vedligeholdes omhyggeligt. Kontroller, om bevægelige dele er skæve eller sidder fast, og om delene er brækkede eller beskadigede, så elværktøjets funktion påvirkes. Få beskadigede dele repareret, inden elværktøjet tages i brug.** Mange uheld skyldes dårligt vedligeholdt elværktøj.
- f. Sørg for, at skæreværktøjer er skarpe og rene.** Omhyggeligt vedligeholdt skæreværktøjer med skarpe skærekanter sætter sig ikke så hurtigt fast og er nemmere at styre.
- g. Brug elværktøjet, tilhører, indsatsværktøj osv. i overensstemmelse med denne vejledning under hensyntagen til arbejdsforholdene og det arbejde, der skal udføres med værktøjet.** I tilfælde af anvendelse af elværktøjet til formål, som ligger uden for det fastsatte anvendelsesområde, kan der opstå farlige situationer.
- 5. Service**
- a. Lad altid elværktøjet reparere af kvalificerede fagfolk, og brug kun originale reservedele.** Dermed opretholdes elværktøjets sikkerhed.

Yderligere sikkerhedsadvarsler



Advarsel! Yderligere sikkerhedsanvisninger for varmpistoler.

Advarsel! Må ikke bruges udendørs, kun til indendørs brug

Advarsel! Dette apparat er ikke beregnet til at blive brugt af personer (herunder børn) med nedsatte fysiske, sensoriske eller mentale evner eller manglende erfaring eller viden, med mindre det sker under overvågning, eller der gives instruktion i brugen af apparatet af en person, der er ansvarlig for deres sikkerhed.

Advarsel! Børn skal holdes under opsyn, så det sikres, at de ikke leger med værktøjet.

Advarsel! Dette apparat skal anbringes i holderen, når det ikke er i brug.

Advarsel! Der kan opstå brand, hvis apparatet ikke anvendes med forsigtighed. Pas derfor på, når apparatet bruges på steder med brændbare materialer;

- ◆ Udsæt ikke samme sted for varme i lang tid;
- ◆ Brug ikke apparatet i en eksplosiv atmosfære;
- ◆ Vær opmærksom på, at der kan overføres varme til brændbare materialer, der ikke er synlige;
- ◆ Sæt apparatet i holderen efter brug, og lad det køle af inden opbevaring.
- ◆ Efterlad aldrig apparatet uden opsyn, når det er tændt.
- ◆ Tilstop ikke hverken luftindsugningsåbningerne eller dyseudgangen, da dette kan forårsage dannelse af kraftig varme med beskadigelse af apparatet til følge.
- ◆ Ret ikke den varme luftstrøm mod personer eller dyr.
- ◆ Rør ikke ved dysen, da den bliver meget varm under brug og bliver ved med at være varm i op til 30 minutter efter brug.
- ◆ Sæt ikke dysen mod genstande under eller umiddelbart efter brug.
- ◆ Stik ikke noget ned i dysen, du kan få elektrisk stød.
- ◆ Se ikke ned i dysen, mens apparatet er tændt.
- ◆ Brug ikke apparatet som hårtørrer! Lufttemperaturen er langt højere end en hårtørrers lufttemperatur.
- ◆ Sørg for tilstrækkelig ventilation under brug, da der kan dannes giftige dampe.
- ◆ Brug ikke apparatet i fugtige omgivelser.
- ◆ Sørg for, at arbejdsområdet er lukket ved fjernelse af maling. Bær en støvmaske, der er specielt designet til beskyttelse mod støv og røg, og sørg for, at personer på eller på vej ind på arbejdsområdet også er beskyttet.
- ◆ Afbrænd ikke maling, da det kan udgøre en brandrisiko.
- ◆ Fjern maling, der sætter sig på dysen. Den kan antændes efter et stykke tid.
- ◆ Sluk for apparatet, og lad det køle af, før du monterer tilbehør.

Fjernelse af blybaseret maling

- ◆ Vær meget forsigtig ved fjernelse af maling. Malingen, malingsaffaldet og malingsdampene kan indeholde bly, som er giftigt. Alle bygninger fra før 1960 kan tidligere være malet med maling, der indeholder bly. Denne maling kan senere være dækket af flere lag maling. Efter aflejring på overflader kan kontakt mellem hånd og mund resultere i indtagelse af bly.
- ◆ Udsættes man for selv små mængder bly, kan det forårsage uoprettelig skader på hjerne og nervesystem. Børn og gravide kvinder er udsat for den største risiko for blyforgiftning.

- ◆ Før arbejdet påbegyndes, er det vigtigt at konstatere, om den maling, der skal fjernes, indeholder bly. Dette kan gøres vha. et testsæt eller af en professionel maler. Ryg, spis og drikke ikke i et arbejdsområde, der kan være forurenet af bly. Blybaseret maling må kun fjernes af fagfolk og må ikke fjernes vha. en varmpistol.

Mærkatør



Læs hele denne vejledning omhyggeligt, før du bruger apparatet.

Elektricitet og sikkerhed



Dette produkt er dobbelt isoleret. Derfor er en jordledning ikke nødvendig. Kontroller altid, at strømforsyningen svarer til spændingen på typeskiltet.

- ◆ Hvis netledningen beskadiges, skal den udskiftes af producenten eller et autoriseret Black & Decker-værksted, så farlige situationer undgås.

Forlængerledninger

- ◆ Der kan anvendes et 2- eller 3-lederkabel, da apparatet er dobbeltisoleret og klassificeret som klasse II.
- ◆ Der kan anvendes en forlængerledning på op til 30 m uden effekttab.

Funktioner

1. Dyse
2. Luftindsugningshuller
3. Knap til udløsning af drejehåndtag.
4. Varmeindstillingsknap (tænd/sluk)
5. Ophængningskrog
6. Holder
7. Varmeskjold

fig. A

10. Black & Decker-dyse

fig. G - J

12. Fiskehale-dyse
13. Glasbeskyttelsesdyse
14. Skereflektordyse
15. Kegledyse
16. Håndskraber

Samling (fig. A og B)

Advarsel! Kontroller før samling, at apparatet er slukket, og at stikket er taget ud af stikkontakten.

Advarsel! Kontroller, at apparatet er slukket og kølet af, før der monteres eller afmonteres tilbehør.

Med varmpistolen følger en integreret Black & Decker-skraber.

- ◆ Sæt rillen i skraberbladet (9) ud for fremspringet på bladholderen (10), og placer det under holdeskruen (8).
- Bemærk:** Kontroller, at huller i skraberen (9) sidder til venstre for skruen (8) i bladholderen (10).

- ◆ Spænd holdeskruen (8).
- ◆ Placer bladholderen (10) over dyseåbningen (1). Kontroller, at den sidder korrekt; den lille forhøjning på indersiden af bladholderen (10) går i indgreb med fordybningen i dysen.
- ◆ Spænd bladholderens tilspændingsskruer (11).

Med varmpistolen (kun KX1693) følger også følgende fire dyser. Det anbefales altid at bruge dyser for at opnå det bedste resultat.

Fiskehale-dyse (12) - ideel til fjernelse af maling eller lak fra store, flade overflader.

Kegledyse (15) - koncentrerer luftstrømmen på et mindre, mere koncentreret område.

Skereflektordyse (14) - spreder luften jævnt omkring hele genstanden.

Glasbeskyttelsesdyse (13) - til beskyttelse af glas under fjernelse af maling.

- ◆ Monter det enkelte tilbehørs tilslutningsstykke over dysen (1).

Med apparatet følger også en håndskraber til fjernelse af maling og lak.

Håndtag med to positioner (fig. C)

Apparatet er en meget alsidig varmpistol med et håndtag med to positioner, der komfortabelt kan bruges til mange forskellige formål. Det er beregnet til anvendelse enten med pistolgreb (a) eller som in-line (b).

- ◆ Skift mellem positionerne ved at holde håndtagets oplåsingsknap (3) nede og dreje håndtaget 180 grader.

Anvendelse

Betjening af varmpistolen (fig. D)

- ◆ Varmepistolen tændes ved at skubbe varmeindstillingskontakten (4) frem til position 1, 2 eller 3 (position 3 findes kun på KX1693).

Bemærk: Positionsnummeret repræsenterer de varmeindstillinger, der er beskrevet i skemaet med tekniske data i slutningen af vejledningen.

- ◆ Varmepistolen slukkes ved at skubbe varmeindstillingskontakten (4) tilbage, så slukpositionen (O) vises.

Brug af apparatet

- ◆ Lad apparatet varme op i nogle få sekunder før brug.

Bemærk: Der kan komme lidt røg fra dysen i starten. Det er normalt og forsvinder hurtigt.

- ◆ **Lav** - brug en lav temperaturindstilling til tørring af maling og lak, fjernelse af etiketter, krympning af isoleringsrør og optøning af frosne rør.
- ◆ **Medium** (KX1693) - brug en medium temperaturindstilling til svejsning af plastik, bukning af plastikrør og løsning af stramme møtrikker og skruer.
- ◆ **Høj** - brug en høj temperaturindstilling til fjernelse af maling og lak samt til lodning af rørsamlinger.

Hvis du er usikker vedrørende brugen af dette apparat på et bestemt materiale, skal du starte med en lav temperaturindstilling og udføre en test på et stykke metalaflad.

Afmontering af varmeskjoldet:

Varmeskjoldet (7) kan afmonteres med henblik på arbejde på meget smalle steder.

Advarsel! Kontroller, at apparatet er slukket og kølet af, før varmeskjoldet monteres eller afmonteres.

Advarsel! Der er øget risiko for forbrænding ved arbejde uden varmeskjoldet.

- ◆ Fjern varmeskjoldet (7) ved at dreje det mod uret og tage det af varmepistolen.
- ◆ Monter varmeskjoldet (7) på varmepistolen igen, og lås det fast ved at dreje det med uret.

Håndfri brug (fig. E)

Advarsel! Ret altid apparatet væk fra dig selv og andre personer. Rør ikke ved dysen. Pas på at der ikke falder materiale ned i dysen.

Varmepistolen har en holder (6) til håndfri brug.

- ◆ Sæt varmepistolen til in-line funktion (fig. C b).
- ◆ Placer varmepistolen på en overflade, hvor den ikke kan vælte.
- ◆ Fastgør kablet, så apparatet ikke kan vælte.

Fjernelse af maling (fig. G - J)

Bemærk: De dyser, der er vist i fig. G til J, følger kun med KX1693.

Advarsel! Ret altid apparatet væk fra dig selv og andre personer. Rør ikke ved dysen. Pas på at der ikke falder materiale ned i dysen.

- ◆ Ret den varme luft mod arbejdsområdet for at varme malingen op.
- ◆ Afbrænd ikke malingen. Hold dysen mindst 25 mm fra overfladen.
- ◆ Fjern malingen med en skraber, når den bliver blød. Skrab den bløde maling af med det samme, ellers bliver den hård igen.
- ◆ Skrab så vidt muligt altid på langs af træets årer.
- ◆ Lad ikke maling og affald samle sig på skraberens.

- ◆ Skrab nedad ved skrabning fra en lodret position, så malingen ikke falder tilbage og ind i dysen.
- ◆ Træf de nødvendige forholdsregler ved fjernelse af maling fra en overflade ved siden af glas, så glasset beskyttes mod varmen.

Advarsel! Brug en glasbeskyttelsesdysse ved fjernelse af maling fra vinduer med metal- eller træramme.

- ◆ Bortskaf alt malingsaffald sikkert, og kontroller, at arbejdsområdet er helt rent efter brug.

Nedkøling (fig. F)

Dysen på varmepistolen bliver meget varm under brug.

- ◆ Hæng varmepistolen op på ophængningskroen (5), eller brug holderen (6) som beskrevet i "håndfri brug", når den er slukket.
- ◆ Lad den køle af i mindst 30 minutter.
- ◆ Køletiden kan reduceres ved at lade apparatet køre ved laveste temperaturindstilling nogle få minutter, før det slukkes.

Vedligeholdelse

Dit Black & Decker-værktøj er beregnet til at fungere i lang tid med et minimum af vedligeholdelse. Vedvarende tilfredsstillende drift afhænger af korrekt behandling og regelmæssig rengøring af apparatet.

Advarsel! Sluk for apparatet, tag stikket ud, og lad apparatet køle af, før der udføres vedligeholdelse.

- ◆ Rengør regelmæssigt apparatets ventilationshuller med en blød børste eller en tør klud.
- ◆ Brug kun et mildt rengøringsmiddel og en fugtig klud til rengøring af apparatet. Der må ikke bruges skuremidler eller opløsningsmidler. Lad aldrig væske trænge ind i værktøjet, og nedsænk aldrig nogen del af apparatet i væske.

Miljøbeskyttelse



Separat bortskaffelse. Dette produkt må ikke bortskaffes sammen med almindeligt husholdningsaffald.

Når dit Black & Decker-produkt en dag er udtjent, eller du ikke længere har brug for det, må du ikke smide det ud sammen med det almindelige affald. Produktet skal bortskaffes separat.



Ved separat bortskaffelse af brugte produkter og emballage bliver der mulighed for at genanvende forskellige materialer. Genanvendelse af materialer medvirker til at forebygge miljøforurening og mindsker behovet for råstoffer.

Lokal lovgivning kan kræve separat indsamling af elektriske husholdningsapparater på kommunale affaldsdepoter eller af den detailhandlende ved køb af et nyt produkt.

Black & Decker sørger for at indsamle og genanvende Black & Decker-produkter, når disse ikke længere kan bruges.

Hvis du vil benytte dig af denne service, skal du returnere produktet til et autoriseret værksted, der indsamler produkterne for os.

Kontakt det lokale Black & Decker-kontor på den adresse, der er angivet i denne vejledning, for at få oplysninger om nærmeste autoriserede værksted. En liste over alle autoriserede Black & Decker-serviceværksteder samt servicevilkår og kontaktpersoner er tilgængelig på internettet på adressen: www.2helpU.com.

Tekniske data

	KX1692	KX1693
Spænding	VAC 230/240	230/240
Konstruktion	Klasse II	Klasse II
Motoreffekt	W 1600	1800
Temperaturområde.	°C 140 - 560	140 - 560
Kontaktposition.	1 140°C	140°C
Kontaktposition.	2 560°C	380°C
Kontaktposition.	3 N/A	560°C
Vægt	kg 0,75	0,75

Garanti

Black & Decker garanterer, at produktet er fri for materielle skader og/eller fabriktionsfejl ved levering til kunden.

Garantien er et tillæg til forbrugernes lovsikrede rettigheder og påvirker ikke disse. Garantien gælder inden for medlemsstaterne af Den Europæiske Union og i Det Europæiske Frihandelsområde.

Hvis et Black & Decker-produkt går i stykker på grund af materialefejl og/eller fabriktionsfejl eller på anden måde ikke fungerer i overensstemmelse med specifikationen inden for 24 måneder fra købsdatoen, påtager Black & Decker sig at reparere eller ombytte produktet med mindst mulig ulempe for kunden. Garantien omfatter ikke fejl og mangler, der er opstået i forbindelse med:

- ◆ Produktet har været anvendt erhvervsmæssigt eller til udlejning.
- ◆ Produktet har været anvendt forkert eller er ikke vedligeholdt.
- ◆ Produktet er beskadiget af fremmedlegemer, substanser eller pga. uheld.
- ◆ Produktet er forsøgt repareret af andre end autoriserede reparatører eller servicepersonale fra Black & Decker.

For at udnytte garantien skal produktet og købskvitteringen indleveres til forhandleren eller til et autoriseret værksted. Kontakt det lokale Black & Decker-kontor på den adresse, der er angivet i denne vejledning, for at få oplysninger om nærmeste autoriserede værksted. En liste over alle autoriserede Black & Decker-serviceværksteder samt servicevilkår er tilgængelig på internettet på adressen:

www.2helpU.com

Gå venligst ind på vores website www.blackanddecker.dk for at registrere dit nye produkt og for at blive holdt ajour om nye produkter og specialtilbud. Der findes yderligere oplysninger om mærket Black & Decker og vores produktsortiment på adressen www.blackanddecker.dk

Käyttötarkoitus

Black Decker -kuumailmapistooli on tarkoitettu käytettäväksi esimerkiksi maalin poistamiseen. Tuote on tarkoitettu vain kotikäyttöön ja käytettäväksi vain sisätiloissa.

Turvallisuusohjeet

Yleiset turvallisuutta koskevat säännöt



Varoitus! Lue kaikki turvavaroitukset ja ohjeet.

Ohjeiden noudattamisen laiminlyönti saattaa johtaa sähköiskun, tulipaloon ja/tai vakavaan loukkaantumiseen.

Säästä kaikki varoitukset ja ohjeet tulevaa käyttöä varten.

Ohjeissa käytetty käsite "sähkötyökalu" tarkoittaa verkkokäyttöisiä sähkötyökaluja (verkkojohdolla) ja akkukäyttöisiä sähkötyökaluja (ilman verkkojohdtoa).

1. Työalueen turvallisuus

a. Pidä työalue puhtaana ja hyvin valaistuna.

Työpaikan epäjärjestys ja valaisemattomat työalueet voivat johtaa tapaturmiin.

b. Älä käytä sähkötyökalua räjähdyksalttiissa ympäristössä, jossa on palavaa nestettä, kaasua tai pölyä.

Sähkötyökalu muodostaa kipinöitä, jotka saattavat sytyttää pölyn tai höyryt.

c. Pidä lapset ja sivulliset loitolla sähkötyökalua käyttäessäsi.

Voit menettää laitteen hallinnan, jos huomiosi suuntautuu muualle.

2. Sähköturvallisuus

a. Sähkötyökalun pistokkeen tulee sopia pistorasiaan.

Pistoketta ei saa muuttaa millään tavalla. Älä käytä mitään pistorasiasovittimia maadoitettujen sähkötyökalujen kanssa. Alkuperäiset pistokkeet ja niille sopivat pistorasiat vähentävät sähköiskun vaaraa.

b. Vältä koskettamasta maadoitettuja pintoja, kuten putkia, pattereita, liesiä tai jääkaappeja.

Sähköiskun vaara kasvaa, jos kehosi on maadoitettu.

c. Älä altista sähkötyökalua sateelle tai kosteudelle.

Veden tunkeutuminen sähkötyökalun sisään kasvattaa sähköiskun riskiä.

d. Älä käsittele virtajohtoa kovakouraisesti. Älä käytä sitä sähkötyökalun kantamiseen, vetämiseen tai pistokkeen irrottamiseen pistorasiasta. Pidä johto loitolla kuumuudesta, öljystä, terävistä reunoista ja liikkuvista osista. Vahingoittuneet tai sotkeutuneet johdot lisäävät sähköiskun vaaraa.

e. Käyttäessäsi sähkötyökalua ulkona käytä ainoastaan ulkokäyttöön soveltuvaa jatkojohtoa.

Ulkokäyttöön soveltuvan jatkojohdon käyttö pienentää sähköiskun vaaraa.

f. Jos sähkötyökalua on välttämättä käytettävä kosteassa paikassa, käytä jäännösvirtalaitteella (RCD) suojattua virtalähdettä.

Jäännösvirtalaitteen käyttö vähentää sähköiskun vaaraa.

3. Henkilöturvallisuus

a. Keskity työskentelyysi ja noudata tervettä järkeä käyttäessäsi sähkötyökaluja. Älä käytä sähkötyökalua, jos olet väsynyt tai huumeiden, alkoholin tai lääkkeiden vaikutuksen alaisena.

Hetken tarkkaamattomuus sähkötyökalua käytettäessä saattaa johtaa vakavaan loukkaantumiseen.

b. Käytä henkilökohtaisia suojavarusteita. Käytä aina suojalaseja.

Suojavarusteet, kuten hengityssuojain, luistamattomat turvajalkineet, kypärä ja kuulosuojaimet, pienentävät loukkaantumiseriskiä, jos niitä käytetään tilanteen mukaan oikein.

c. Vältä tahatonta käynnistämistä. Varmista, että kytkin on off-asennossa, ennen kuin liität laitteen virtalähteeseen ja/tai akkuun, nostat laitteen tai kannat sitä.

Onnettomuusvaara lisääntyy, jos kannat sähkötyökalua sormi käyttökytkimellä tai kytket työkalun virtajohtoon pistorasiaan, kun käyttökytkin on päällä.

d. Irrota mahdollinen säätö- tai kiintoavain, ennen kuin käynnistät sähkötyökalun.

Sähkötyökalun pyöriivään osaan kiinni jäänyt avain voi johtaa loukkaantumiseen.

e. Älä kurkota liian kauas. Seiso aina tukevasti ja tasapainossa.

Tällöin voit paremmin hallita sähkötyökalua yllättävissä tilanteissa.

f. Käytä tarkoitukseen soveltuvia vaatteita. Älä käytä löysiä työvaatteita tai koruja. Pidä hiukset, vaatteet ja käsineet loitolla liikkuvista osista.

Väljät vaatteet, korut ja pitkät hiukset voivat takertua liikkuviin osiin.

g. Jos työkalun voi liittää polynimuriin, tarkista, että liitos on tehty asianmukaisesti ja että sitä käytetään oikealla tavalla.

Tällaisen laitteen käyttö vähentää pölyn aiheuttamia vaaroja.

4. Sähkötyökalujen käyttö ja hoito

a. Älä ylikuormita laitetta. Käytä kyseiseen työhön tarkoitettua sähkötyökalua.

Sopivaa sähkötyökalua käyttäen työskentelet paremmin ja turvallisemmin tehoalueella, jolle sähkötyökalu on tarkoitettu.

b. Älä käytä sähkötyökalua, jota ei voida käynnistää ja pysäyttää virtakytkimestä.

Jos sähkötyökalua ei voi käynnistää ja pysäyttää virtakytkimellä, se on vaarallinen ja se täytyy korjata.

- c. **Irrota pistotulppa pistorasiasta ja/tai akku laitteesta, ennen kuin suoritat säätöjä, vaihdat tarvikkeita tai siirrä sähkötyökalun varastoivaksi.** Nämä turvatoimenpiteet pienentävät sähkötyökalun tahattoman käynnistämisen riskiä.
- d. **Säilytä sähkötyökalut poissa lasten ulottuvilta, kun niitä ei käytetä. Älä anna sähkötyökalua sellaisen henkilön käyttöön, joka ei tunne sitä tai joka ei ole tutustunut tähän käyttöohjeeseen.** Sähkötyökalut ovat vaarallisia kokemattoman käyttäjän käsissä.
- e. **Hoida sähkötyökalusi huolellisesti. Tarkista, että liikkuvat osat toimivat moitteettomasti eivätkä ne ole puristuksessa. Tarkista myös, ettei työkalussa ei ole murtuneita tai vahingoittuneita osia, jotka saattaisivat vaikuttaa haitallisesti sen toimintaan. Korjauta mahdolliset viat ennen käyttöönottoa.** Moni tapaturma aiheutuu huonosti huolletuista laitteista.
- f. **Pidä leikkausterät terävinä ja puhtaina.** Huolellisesti hoidettu, terävä leikkausterä ei tartu herkästi kiinni, ja sitä on helpompi hallita.
- g. **Käytä sähkötyökaluja, tarvikkeita, vaihtotyökaluja jne. näiden ohjeiden mukaisesti. Ota tällöin huomioon työolosuhteet ja suoritettava toimenpide.** Sähkötyökalun käyttö muuhun kuin sille määrättyyn käyttöön saattaa johtaa vaarallisiin tilanteisiin.
5. **Huolto**
- a. **Anna koulutettujen ja ammattitaitoisten henkilöiden korjata sähkötyökalusi ja hyväksy korjauksiin vain alkuperäisiä varaosia.** Näin varmistat, että sähkötyökalu säilyy turvallisena.

Lisäturvavaroitukset



Varoitus! Kuumailmapistoolien lisäturvaohjeet

Varoitus! Laitte on tarkoitettu vain sisäkäyttöön, älä käytä sitä ulkotiloissa.

Varoitus! Tätä laitetta ei ole tarkoitettu sellaisten henkilöiden käyttöön, joilla on fyysisiä tai älyllisiä rajoitteita tai aistirajoitteita, eikä laitteen toimintaan perehtymättömien henkilöiden käyttöön (lapset mukaan luettuina), paitsi valvonnan alaisina tai jos he ovat saaneet laitteen käyttöön liittyvää opastusta heidän turvallisuudestaan vastaavalta henkilöltä.

Varoitus! Lapsia on valvottava ja estettävä leikkimästä laitteella.

Varoitus! Kun laitetta ei käytetä, se on sijoitettava telineeseensä.

Varoitus! Huolimaton käyttö voi aiheuttaa tulipalon. Sen vuoksi laitteen käytössä on noudatettava suurta varovaisuutta paikoissa, joissa on syttyvää materiaalia.

- ◆ Älä suuntaa kuumaa ilmaa liian kauan samaan kohtaan.

- ◆ Älä käytä laitetta räjähdysalttiissa ympäristössä.
- ◆ Ota huomioon, että kuumuus voi siirtyä tulenarkoihin materiaaleihin, jotka eivät ole näkyvissä.
- ◆ Aseta laite käytön jälkeen telineeseensä ja anna jäähtyä ennen säilytykseen laittamista.
- ◆ Älä jätä käynnissä olevaa laitetta ilman valvontaa.
- ◆ Älä peitä ilmanottoaukkoja tai suuttimen aukkoa, koska se voi aiheuttaa liiallista kuumenemista, minkä seurauksena laite voi vahingoittua.
- ◆ Älä suuntaa kuumaa ilmavirtaa ihmiseen tai eläimiin.
- ◆ Älä kosketa suutinta, sillä se kuumenee erittäin voimakkaasti käytön aikana ja säilyy kuumana jopa puoli tuntia käytön jälkeen.
- ◆ Älä aseta suutinta mitään esinettä vasten käytön aikana tai heti käytön jälkeen.
- ◆ Älä työnnä mitään suuttimeen, sillä se voi aiheuttaa sähköiskun.
- ◆ Älä katso suuttimen sisään laitteen ollessa käynnissä.
- ◆ Älä käytä laitetta hiustenkuivaimena. Ilman lämpötila on paljon hiustenkuivaimen lämpötilaa korkeampi.
- ◆ Varmista, että ilmavaihto on riittävä, sillä käytön aikana voi syntyä myrkyllisiä kaasuja.
- ◆ Älä käytä laitetta kosteissa olosuhteissa.
- ◆ Varmista maalia poistettaessa, että työalue on suljettu. Käytä kasvosuojusta, joka on erityisesti tarkoitettu suojaamaan lyijyppoisesta maalista syntyvältä pölyltä ja kaasulta, ja varmista, että kaikki työalueella olevat ja sinne tulevat henkilöt käyttävät suojavarusteita.
- ◆ Älä polta maalia, sillä se voi sytyttää tulipalon.
- ◆ Älä anna maalin tarttua suuttimeen, sillä se voi syttyä jonkin ajan kuluttua palamaan.
- ◆ Katkaise laitteesta virta ja anna sen jäähtyä ennen lisälaitteiden liittämistä.

Öljypohjaisen maalin poistaminen

- ◆ Maalia poistettaessa on noudatettava äärimmäistä varovaisuutta. Hilseilevä maali, maalin jäämät ja höyryt voivat sisältää lyijyä, joka on myrkyllistä. Jos kohde on rakennettu ennen vuotta 1960, se on voitu maalata lyijyä sisältävällä maalilla. Maali on voitu peittää uusilla maalikerroksilla. Pinnan koskettaminen kädellä ja käden vieminen suuhun voi johtaa lyijyn nielemiseen.
- ◆ Pienillekin lyijymäärille altistuminen voi aiheuttaa peruuttamatonta vahinkoa aivoille ja hermostolle. Vaarallisinta lyijymyrkytys on lapsille ja raskaana oleville naisille.

- ◆ Ennen työn aloittamista on tärkeää selvittää, sisältääkö poistettava maali lyijyä. Sen voi tehdä käyttämällä testisarjaa tai kääntymällä alan ammattilaisen puoleen. Älä tupakoi, syö tai juo työalueella, joka voi olla lyijyn saastuttama. Lyijypohjaisten maalien poistaminen pitäisi jättää ammattilaisen tehtäväksi, eikä työhön pitäisi käyttää kuumailmapistoolia.

Merkinnät



Lue nämä ohjeet huolellisesti ennen laitteen käyttöä.

Sähköturvallisuus



Tämä tuote on kaksoiseristetty, joten erillistä maadoitusta ei tarvita. Tarkista aina, että virtalähde vastaa arvokilvessä ilmoitettua jännitettä.

- ◆ Jos virtajohto vahingoittuu, sen vaihtaminen tulee turvallisuussyistä jättää valmistajan tai valtuutetun Black & Decker -huollon tehtäväksi.

Jatkojohdot

- ◆ Koska kuumailmapistooli on kaksoiseristetty II-luokan laite, siinä voidaan käyttää 2- tai 3-johdimista virtajohtoa.
- ◆ Jopa 30 m pituista jatkojohtoa voidaan käyttää tehon vähenemättä.

Yleiskuvaus

1. Suutin
2. Ilmanottoaukot
3. Kääntökahvan vapautuspainike
4. Lämmönsäätökytkin (päälle/pois)
5. Ripustuskoukku
6. Teline
7. Lämpösuoja

kuva A

10. Black & Decker -suutin

kuvat G - J

12. Kalanpyrstösuutin
13. Lasinsuojasuutin
14. Heijastinsuutin
15. Supistussuutin
16. Käsikaavin

Kokoaminen (kuvat A ja B)

Varoitus! Ennen kokoamista varmista, että laitteen virtakytkin on pois päältä eikä laitetta ole liitetty virtalähteeseen.

Varoitus! Varmista ennen lisälaitteiden liittämistä tai irrottamista, että laite on pois päältä ja jäähtynyt.

Kuumailmapistoolissa on kiinteä Black & Decker -kaavin.

- ◆ Sovita kaapimen (9) terän lovi teränpitimen (10) ulokkeeseen ja aseta kiinnitysruuvi (8) alle.

Huomautus: Varmista, että kaapimen (9) reikä on teränpitimen (10) ruuvin (8) vasemalla puolella.

- ◆ Kiristä kiinnitysruuvi (8).
- ◆ Aseta teränpidin (10) suuttimen liitoskohdan (1) yläpuolelle. Varmista, että se on kohdallaan: pieni kohouma teränpitimen (10) sisäpuolella tarttuu suuttimen loveen.
- ◆ Kiristä teränpitimen pidätinruuvi (11).

Kuumailmapistoolissa (vain KX1693) on myös seuraavat neljä suutinta. Parhaan tuloksen saamiseksi on suositeltavaa käyttää aina suuttimia.

Kalanpyrstösuutin (12) - Ihanteellinen suutin maalin tai lakan poistamiseen isoilta tasaisilta pinnoilta.

Supistussuutin (15) - Kohdistaa ilmvirran pienemmälle, suppeammalle alueelle.

Heijastinsuutin (14) - Levittää ilman tasaisesti kohteen ympärille.

Lasinsuojasuutin (13) - Tarkoitettu lasin suojaamiseen maalin poiston aikana.

- ◆ Kiinnitä lisälaitteen liitoskappale suuttimen yläpuolelle (1).

Laitteen varustukseen kuuluu myös maalin ja lakan poistamiseen tarkoitettu kaavin.

Kaksiasentoinen kahva (kuva C)

Laite on erittäin monipuolinen kuumailmapistooli. Kaksiasentoinen kahva tekee siitä kätevästi moneen erilaiseen käyttötarkoitukseen. Se on suunniteltu käytettäväksi joko pistoolikahva-asennossa (a) tai avoimessa asennossa (b).

- ◆ Asento vaihdetaan pitämällä kahvan vapautuspainiketta (3) alaspainettuna ja kääntämällä kahvaa 180 astetta.

Käyttö

Kuumailmapistoolin käyttö (kuva D)

- ◆ Kuumailmapistooli kytketään päälle työntämällä lämmönsäätökytkintä (4) eteenpäin asentoon 1, 2 tai 3 (asento 3 on vain mallissa KX1693).

Huomautus: Asentojen numerot tarkoittavat lämpöasetuksia, jotka kuvataan teknisissä tiedoissa oppaan lopussa.

- ◆ Kuumailmapistooli sammutetaan vetämällä lämmönsäätökytkin (4) takaisin O-asentoon.

Laitteen käyttö

- ◆ Anna laitteen lämmetä muutamia sekunteja ennen käyttöä.

Huomautus: Ensimmäisellä käyttökerralla suuttimesta voi tulla hieman savua. Se on normaalia ja vähenee pian.

- ◆ **Matala** - Käytä matalaa lämpötilaa maalin ja lakan kuivaamiseen, tarrojen poistamiseen, eristeputkien kutistamiseen ja jäätyneiden putkien sulattamiseen.
- ◆ **Keskiasento** (KX1693) - Käytä keskiasentoa muovien hitsaamiseen, muoviputkien taivuttamiseen ja tiukassa istuvien mutterien ja ruuvien irrottamiseen.
- ◆ **Korkea** - Käytä korkeaa lämpötilaa maalien ja lakkojen poistamiseen ja putkiliitosten juottamiseen.

Jos olet epävarma laitteen sopivuudesta jonkin materiaalin käsittelyyn, aloita matalalla lämmöllä ja kokeile käyttöä pieneen materiaalin palaseen.

Lämpösuojan poistaminen

Kapeissa paikoissa työskentelyä varten lämpösuoja (7) voidaan poistaa.

Varoitus! Varmista ennen lämpösuojan irrottamista, että laite on pois päältä ja jäähtynyt.

Varoitus! Riski polttaa itsensä lisääntyä, kun työskennellään ilman lämpösuojaa.

- ◆ Poista lämpösuoja (7) kiertämällä sitä vastapäivään ja irrottamalla se kuumailmapistoolista.
- ◆ Asenna ja lukitse lämpösuoja (7) takaisin kuumailmapistooliin kiertämällä sitä myötäpäivään.

Käyttö kädet vapaina (kuva E)

Varoitus! Suuntaa laite aina pois päin itsestäsi tai muista ihmisistä. Älä koske suuttimeen. Huolehdi, ettei mitään putoa suuttimen sisään.

Kuumailmapistoolissa on teline (6), jonka avulla sitä voidaan käyttää kädet vapaina.

- ◆ Aseta kuumailmapistooli avoimeen asentoon (kuva C b).
- ◆ Aseta lämpöpistooli pinnalle, jossa se ei pääse kaatumaan.
- ◆ Kiinnitä johto niin, ettei se vedä laitetta kumoon.

Maalin poistaminen (kuvat G - J)

Huomautus: Kuivissa G - J näkyvät suuttimet sisältyvät vain malliin KX1693.

Varoitus! Suuntaa laite aina pois päin itsestäsi tai muista ihmisistä. Älä koske suuttimeen. Huolehdi, ettei mitään putoa suuttimen sisään.

- ◆ Kuumenna maali suuntaamalla kuuma ilma työalueeseen.
- ◆ Älä polta maalia. Pidä suutin vähintään 25 mm:n etäisyydellä pinnasta.
- ◆ Poista maali kaapimella sen pehmenneenä. Kaavi pehmentynyt maali välittömästi, tai muutoin se kovettuu uudelleen.
- ◆ Kaavi aina kun mahdollista puun syiden suuntaisesti.

- ◆ Älä anna maalin ja roskien kerääntyä kaapimeen.
- ◆ Kun kaavit pystysuunnassa, kaavi alaspäin, jotta maalia ei putoa suuttimen sisään.
- ◆ Kun poistat maalia lasin viereissä olevalta pinnalta, tee tarpeelliset toimenpiteet lasin suojaamiseksi kuumuudelta.

Varoitus! Käytä lasinsuojasuutinta poistaessasi maalia metalli- tai puupinnoilta ikkunoiden ympäriltä.

- ◆ Hävitä kaikki maalinjätteet turvallisesti ja varmista, että työalue on täysin puhdas käytön jälkeen.

Jäähdyttäminen (kuva F)

Käytön aikana kuumailmapistoolin suutin kuumenee erittäin voimakkaasti.

- ◆ Ripusta sammutettu kuumailmapistooli ripustuskoukkuun (5) tai käytä kohdassa Käyttö kädet vapaina kuvattua telinettä (6).
- ◆ Anna laitteen jäähtyä vähintään 30 minuutin ajan.
- ◆ Voit lyhentää jäähtymisaikaa käyttämällä laitetta minimilämmöllä joitakin minuuksia ennen sammutamista.

Huolto

Black & Decker -laite on suunniteltu toimimaan mahdollisimman pitkän aikaa mahdollisimman vähällä huollolla. Oikealla huollolla ja säännöllisellä puhdistuksella laite säilyttää toimintakuntonsa.

Varoitus! Katkaise laitteesta virta, irrota virtajohto pistorasiasta ja anna laitteen jäähtyä aina ennen huoltotoimenpiteitä.

- ◆ Puhdista laitteen ilma-aukot säännöllisesti pehmeällä harjalla tai kuivalla rievulla.
- ◆ Käytä laitteen puhdistukseen vain mietoa saippuuliuosta ja kosteaa liinaa. Älä koskaan käytä puhdistamiseen liuotainaineita tai syövyttäviä puhdistusaineita. Älä päästä laitteen sisään nestettä äläkä upota sitä nesteeseen edes osittain.

Ympäristö



Erillinen keräys. Tätä tuotetta ei saa hävittää normaalin kotitalousjätteen kanssa.

Kun Black & Decker -laitteesi aikanaan täytyy vaihtaa tai ei kelpaa enää käyttöön, älä hävitä laitetta kotitalousjätteen mukana. Toimita laite kierrätettäväksi.



Käytettyjen tuotteiden ja pakkausmateriaalien erilliskeruun avulla materiaalit voidaan kierrättää ja käyttää uudelleen. Kierrätysmateriaalien käyttö auttaa vähentämään ympäristön saastumista ja uusien raaka-aineiden tarvetta.

Paikallisissa säädöksissä voidaan määrätä, että kodin sähkötuotteiden keruu tapahtuu kaupunkien jätteidenkäsittelyasemilla tai laitteita myyvissä liikkeissä uuden tuotteen oston yhteydessä.

Kun laitteesi on käytetty loppuun, älä heitä sitä tavallisten roskien mukana pois, vaan vie se paikkakuntasi kierrätyskeskukseen tai jätä valtuutettuun Black & Deckerin huoltoliikkeeseen.

Tiedot valtuutetuista huoltoliikkeistä saa ottamalla yhteyttä Black & Decker Oy:hyn sekä Internetistä osoitteesta www.2helpU.com.

Tekniset tiedot

	KX1692	KX1693
Jännite	Vac 230/240	230/240
Rakenne	Luokka II	Luokka II
Ottoteho	W 1 600	1 800
Lämpöalue	°C 140 - 560	140 - 560
Kytkimen asento	1 140 °C	140 °C
Kytkimen asento	2 560 °C	380 °C
Kytkimen asento	3 ei tiedossa	560 °C
Paino	kg 0,75	0,75

Edellytyksenä takuun saamiselle on, että ostaja jättää koneen ja ostokuitin jälleenmyyjälle tai valtuutetulle huoltoliikkeelle viimeistään 2 kuukauden kuluessa vian ilmenemisestä. Tiedot valtuutetuista huoltoliikkeistä saa ottamalla yhteyttä Black & Decker Oy:hyn sekä Internetistä osoitteesta

www.2helpU.com jossa on myös takuuehdot.

Käy verkkosivuiltamme osoitteessa

www.blackanddecker.fi rekisteröi uusi Black & Decker -tuotteesi. Sivuilta saat myös tietoa uusista tuotteista ja erikoistarjouksista. Lisätietoja Black & Decker -tuotemerkeistä ja tuotevalikoimastamme on osoitteessa www.blackanddecker.fi

Takuu

Black & Decker Oy takaa, ettei tuotteessa ollut materiaali- ja/ tai valmistusvikaa silloin, kun se toimitettiin ostajalle. Takuu on lisäys kuluttajan laillisiin oikeuksiin eikä vaikuta niihin.

Takuu on voimassa Euroopan unionin jäsenmaissa ja Euroopan vapaakauppa-alueella (EFTA).

Mikäli Black & Decker -laite rikkoutuu materiaali- ja/ tai valmistusvirheen tai teknisten tietojen epätarkkuuden vuoksi 24 kk:n kuluessa ostopäivästä, Black & Decker korjaa laitteen ilman kustannuksia ostajalle tai vaihtaa sen Black & Decker Oy:n valinnan mukaan. Takuu ei kata vikoja, jotka johtuvat laitteen

- ◆ kaupallisesta tai ammattimaisesta käytöstä tai sen vuokraamisesta
- ◆ ylikuormituksesta, virheellisestä käytöstä tai hoidosta
- ◆ vahingoittamisesta vieraalla esineellä tai aineella tai onnettomuustapauksessa.
- ◆ Takuu ei ole voimassa, mikäli laitetta on korjannut joku muu kuin Black & Deckerin valtuuttama huoltoliike.

Ενδεξιμένη χρήση

Το θερμικό πιστόλι σας Black & Decker έχει σχεδιαστεί για διάφορες εφαρμογές θέρμανσης, όπως αφαίρεση χρώματος. Αυτό το προϊόν προορίζεται για ερασιτεχνική χρήση και για χρήση σε εσωτερικούς χώρους μόνο.

Οδηγίες ασφαλείας

Γενικοί κανόνες ασφαλείας



Προειδοποίηση! Διαβάστε όλες τις υποδείξεις και όλες τις οδηγίες. Η μη τήρηση όλων των υποδείξεων μπορεί να προκαλέσει ηλεκτροπληξία, πυρκαγιά ή/και σοβαρούς τραυματισμούς.

Φυλάξτε όλες τις προειδοποιήσεις και τις οδηγίες για μελλοντική αναφορά.

Ο χαρακτηρισμός "ηλεκτρικό εργαλείο" που χρησιμοποιείται σε όλες τις παρακάτω προειδοποιητικές υποδείξεις αφορά ή το εργαλείο που συνδέεται στην πρίζα (με καλώδιο) ή το εργαλείο που λειτουργεί με μπαταρία (χωρίς καλώδιο).

1. Ασφάλεια χώρου εργασίας

- a. **Διατηρείτε το χώρο που εργάζεστε καθαρό και καλά φωτισμένο.** Η απαξία στο χώρο που εργάζεστε και τα σημεία χωρίς καλό φωτισμό μπορεί να οδηγήσουν σε ατυχήματα.
- b. **Μη χρησιμοποιείτε ηλεκτρικά εργαλεία σε περιβάλλον όπου υπάρχει κίνδυνος έκρηξης, π.χ. παρουσία εύφλεκτων υγρών, αερίων ή σκόνης.** Τα ηλεκτρικά εργαλεία μπορεί να δημιουργήσουν σπινθηρισμό ο οποίος μπορεί να αναφλέξει τη σκόνη ή τις αναθυμιάσεις.
- c. **Όταν χρησιμοποιείτε το ηλεκτρικό εργαλείο, κρατάτε τα παιδιά και τα υπόλοιπα άτομα μακριά από το χώρο που εργάζεστε.** Σε περίπτωση που άλλα άτομα αποσπάσουν την προσοχή σας μπορεί να χάσετε τον έλεγχο του μηχανήματος.


2. Ασφαλής χρήση του ηλεκτρικού ρεύματος

- a. **Το φως του καλωδίου του ηλεκτρικού εργαλείου πρέπει να ταιριάζει στην αντίστοιχη πρίζα. Δεν επιτρέπεται με κανένα τρόπο η μετασκευή του φως. Μη χρησιμοποιείτε προσαρμοστικά φως στα γειωμένα ηλεκτρικά εργαλεία.** Τα φως που δεν έχουν υποστεί τροποποιήσεις και οι κατάλληλες πρίζες μειώνουν τον κίνδυνο ηλεκτροπληξίας.

- b. **Αποφύγετε την επαφή του σώματός σας με γειωμένες επιφάνειες όπως σωλήνες, θερμαντικά σώματα (καλοριφέρ), κουζίνες και ψυγεία.** Όταν το σώμα σας είναι γειωμένο, αυξάνεται ο κίνδυνος ηλεκτροπληξίας.
 - c. **Μην εκθέτετε το ηλεκτρικό εργαλείο στη βροχή ή στην υγρασία.** Η διείσδυση νερού στο ηλεκτρικό εργαλείο αυξάνει τον κίνδυνο ηλεκτροπληξίας.
 - d. **Μην κακομεταχειρίζεστε το καλώδιο. Μη χρησιμοποιήσετε ποτέ το καλώδιο για να μεταφέρετε, να τραβήξετε ή να απουσνδέσετε το εργαλείο από την πρίζα. Κρατάτε το καλώδιο μακριά από υψηλές θερμοκρασίες, λάδια, κοφτερές ακμές ή κινούμενα εξαρτήματα.** Τυχόν χαλασμένα ή μπερδεμένα καλώδια αυξάνουν τον κίνδυνο ηλεκτροπληξίας.
 - e. **Όταν χρησιμοποιείτε το ηλεκτρικό εργαλείο σε εξωτερικούς χώρους, να χρησιμοποιείτε πάντοτε καλώδια προέκτασης κατάλληλα για χρήση σε εξωτερικούς χώρους.** Η χρήση προεκτάσεων κατάλληλων για εργασία σε εξωτερικούς χώρους μειώνει τον κίνδυνο ηλεκτροπληξίας.
 - f. **Εάν η χρήση ενός ηλεκτρικού εργαλείου σε βρεγμένους χώρους ή με υγρασία είναι αναπόφευκτη, χρησιμοποιήστε ένα προφοδοτικό με προστατευτική Συσκευή Παραμένουτος Ρεύματος (RCD).** Η χρήση μιας συσκευής RCD μειώνει τον κίνδυνο ηλεκτροπληξίας.
- #### 3. Ασφάλεια προσώπων
- a. **Όταν χρησιμοποιείτε το ηλεκτρικό εργαλείο, να είστε προσεκτικοί, να δίνετε προσοχή στην εργασία που κάνετε και να επιστρατεύετε την κοινή λογική. Μη χρησιμοποιείτε το ηλεκτρικό εργαλείο όταν είστε κουρασμένοι ή όταν βρίσκεστε υπό την επήρεια ναρκωτικών, οινοπνεύματος ή φαρμάκων.** Μια στιγμιαία απροσεξία κατά το χειρισμό του ηλεκτρικού εργαλείου μπορεί να οδηγήσει σε σοβαρούς τραυματισμούς.
 - b. **Να χρησιμοποιείτε εξοπλισμό προσωπικής προστασίας. Να φοράτε πάντα προστατευτικά γυαλιά.** Ο κίνδυνος τραυματισμών μειώνεται όταν χρησιμοποιείτε εξοπλισμό προστασίας, όπως μάσκα προστασίας από σκόνη, ανιολισθητικά παπούτσια ασφαλείας, κράνη ή ωτασπίδες, ανάλογα με τις συνθήκες εργασίας.

- c. Προλαμβάνετε την αθέλητη θέση σε λειτουργία του ηλεκτρικού εργαλείου. Βεβαιωθείτε ότι ο διακόπτης λειτουργίας βρίσκεται στη θέση "OFF" πριν συνδέσετε το εργαλείο στην πρίζα καλή στην μπαταρία, πριν το σηκώσετε ή το μεταφέρετε. Η μεταφορά ηλεκτρικών εργαλείων με το δάχτυλό σας επάνω στο διακόπτη ή η σύνδεση στην πρίζα ηλεκτρικών εργαλείων με το διακόπτη στη θέση ενεργοποίησης, ενέχει κινδύνους πρόκλησης ατυχημάτων.
- d. Πριν θέσετε το ηλεκτρικό εργαλείο σε λειτουργία, αφαιρέστε τυχόν εργαλεία ή κλειδιά ρύθμισης. Ένα εργαλείο ή κλειδί συναρμολογημένο στο περιστρεφόμενο εξάρτημα ενός ηλεκτρικού εργαλείου μπορεί να προκαλέσει τραυματισμούς.
- e. Μην τεντώνετε. Φροντίστε πάντοτε να έχετε την κατάλληλη στάση και να διατηρείτε την ισορροπία σας. Αυτό σας επιτρέπει τον καλύτερο έλεγχο του ηλεκτρικού εργαλείου σε περιπτώσεις απροσδόκητων καταστάσεων.
- f. Φοράτε κατάλληλη ενδυμασία εργασίας. Μη φοράτε φαρδιά ρούχα ή κοσμήματα. Κρατάτε τα μαλλιά, τα ενδύματα και τα γάντια σας μακριά από τα κινούμενα εξαρτήματα. Τα φαρδιά ρούχα, τα κοσμήματα και τα μακριά μαλλιά μπορεί να εμπλακούν στα κινούμενα εξαρτήματα.
- g. Αν προβλέπονται διατάξεις απαγωγής και συλλογής της σκόνης, βεβαιωθείτε ότι είναι συνδεδεμένες και ότι χρησιμοποιούνται σωστά. Η χρήση τέτοιων διατάξεων μειώνει τους κινδύνους που προέρχονται από τη σκόνη.
4. Χρήση και συντήρηση του ηλεκτρικού εργαλείου
- a. Μην υπερφορτώνετε το ηλεκτρικό εργαλείο. Χρησιμοποιείτε για την εκάστοτε εργασία σας το ηλεκτρικό εργαλείο που προορίζεται γι' αυτήν. Με το κατάλληλο ηλεκτρικό εργαλείο εργάζεστε καλύτερα και ασφαλέστερα στην ονομαστική περιοχή ισχύος του.
- b. Μη χρησιμοποιήσετε ποτέ ένα ηλεκτρικό εργαλείο του οποίου ο διακόπτης λειτουργίας είναι χαλασμένος. Ένα ηλεκτρικό εργαλείο του οποίου η λειτουργία δεν μπορεί να ελεγχθεί με το διακόπτη είναι επικίνδυνο και πρέπει να επισκευαστεί.
- c. Βγάλτε το φως από την πρίζα καλή την μπαταρία από το ηλεκτρικό εργαλείο, πριν διεξάγετε κάποια εργασία ρύθμισης, πριν αλλάξετε κάποιο εξάρτημα ή όταν πρόκειται να αποθηκεύσετε τα ηλεκτρικά εργαλεία. Αυτά τα προληπτικά μέτρα ασφαλείας μειώνουν τον κίνδυνο να τεθεί το εργαλείο αθέλητα σε λειτουργία.
- d. Να φυλάτε τα ηλεκτρικά εργαλεία που δεν χρησιμοποιείτε μακριά από παιδιά. Μην αφήνετε άτομα που δεν είναι εξοικειωμένα με το ηλεκτρικό εργαλείο ή που δεν έχουν διαβάσει αυτές τις οδηγίες χρήσης να το χρησιμοποιήσουν. Τα ηλεκτρικά εργαλεία είναι επικίνδυνα όταν χρησιμοποιούνται από άπειρα άτομα.
- e. Να συντηρείτε τα ηλεκτρικά εργαλεία. Ελέγξτε εάν τα κινούμενα μέρη είναι σωστά ευθυγραμμισμένα ή αν έχουν μπλοκάρει, εάν έχουν σπάσει κομμάτια και εάν πληρούνται όλες οι υπόλοιπες συνθήκες που ενδεχομένως να επηρεάσουν τη σωστή λειτουργία του εργαλείου. Δώστε τυχόν χαλασμένα εξαρτήματα του ηλεκτρικού εργαλείου για επισκευή πριν το χρησιμοποιήσετε πάλι. Η ανεπαρκής συντήρηση των ηλεκτρικών εργαλείων αποτελεί αιτία πολλών ατυχημάτων.
- f. Διατηρείτε τα κοπτικά εργαλεία κοφτερά και καθαρά. Τα κοπτικά εργαλεία με αιχμηρά κοπτικά άκρα που συντηρούνται σωστά έχουν λιγότερες πιθανότητες να μπλοκάρουν και ελέγχονται ευκολότερα.
- g. Να χρησιμοποιείτε τα ηλεκτρικά εργαλεία, τα εξαρτήματα και τα άκρα των εργαλείων κλπ σύμφωνα με τις παρούσες οδηγίες, λαμβάνοντας υπόψη σας τις συνθήκες εργασίας και την εργασία που θέλετε να εκτελέσετε. Η χρήση του ηλεκτρικού εργαλείου για άλλες εκτός από τις προβλεπόμενες εργασίες μπορεί να δημιουργήσει επικίνδυνες καταστάσεις.
5. Σέρβις
- a. Το σέρβις του ηλεκτρικού σας εργαλείου πρέπει να αναλαμβάνει έμπειρος τεχνικός που θα χρησιμοποιεί μόνο γνήσια ανταλλακτικά. Έτσι εξασφαλίζεται η διατήρηση της ασφάλειας του ηλεκτρικού εργαλείου.

Συμπληρωματικές προειδοποιήσεις ασφαλείας.

 **Προειδοποίηση!** Συμπληρωματικές οδηγίες ασφαλείας για τα θερμικά πιστόλια.

Προειδοποίηση! Προειδοποίηση: Μη χρησιμοποιείτε σε εξωτερικούς χώρους, για χρήση σε εσωτερικούς χώρους μόνο.

Προειδοποίηση! Αυτή η συσκευή δεν προορίζεται για χρήση από άτομα (στα οποία περιλαμβάνονται και τα παιδιά) με μειωμένες φυσικές, αντιληπτικές ή διανοητικές ικανότητες ή άτομα χωρίς εμπειρία ή γνώσεις, παρά μόνο εφόσον επιτηρούνται ή τους έχουν δοθεί οδηγίες σχετικά με τη χρήση της συσκευής από άτομο υπεύθυνο για την ασφάλειά τους.

Προειδοποίηση! Τα παιδιά πρέπει να επιτηρούνται για να είστε σίγουροι ότι δεν παίζουν με το εργαλείο.

Προειδοποίηση! Όταν δε χρησιμοποιείται αυτή η συσκευή, πρέπει να τοποθετείται στη βάση της.

Προειδοποίηση! Εάν η συσκευή δε χρησιμοποιηθεί με προσοχή, υπάρχει κίνδυνος πυρκαγιάς. Για αυτό το λόγο, θα πρέπει να προσέχετε όταν χρησιμοποιείτε τη συσκευή σε χώρους όπου υπάρχουν εύφλεκτα υλικά.

- ◆ Μην εφαρμόζετε θερμότητα στο ίδιο σημείο για παρατεταμένο χρονικό διάστημα.
- ◆ Μη χρησιμοποιείτε τη συσκευή σε περιβάλλον όπου υπάρχει ο κίνδυνος έκρηξης.
- ◆ Έχετε υπόψη σας ότι η θερμότητα μπορεί να μεταδοθεί σε εύφλεκτα υλικά τα οποία δεν είναι ορατά.
- ◆ Μετά τη χρήση, τοποθετήστε τη συσκευή στη βάση της και αφήστε την να κρυώσει πριν την αποθηκεύσετε.
- ◆ Μην αφήνετε τη συσκευή χωρίς επιτήρηση όταν είναι ενεργοποιημένη.
- ◆ Μη φράσσετε τις θυρίδες εισαγωγής αέρα ή το στόμιο εξόδου του ακροφυσίου καθώς αυτό μπορεί να επιφέρει υπερβολική συγκέντρωση θερμότητας, με αποτέλεσμα την πρόκληση ζημιάς στη συσκευή.
- ◆ Μην κατευθύνετε τη ροή ζεστού αέρα προς άλλα άτομα ή ζώα.
- ◆ Μην αγγίζετε το ακροφύσιο, καθώς αναπτύσσει πολύ υψηλή θερμοκρασία κατά τη χρήση και παραμένει ζεστό για έως και 30 λεπτά μετά τη χρήση.
- ◆ Μην τοποθετείτε το ακροφύσιο επάνω σε οποιοδήποτε αντικείμενο κατά τη χρήση ή αμέσως μετά τη χρήση.
- ◆ Μην εισαγάγετε αντικείμενα στον εσωτερικό σωλήνα του ακροφυσίου, καθώς υπάρχει κίνδυνος ηλεκτροπληξίας.
- ◆ Μην κοιτάζετε μέσα στον εσωτερικό σωλήνα του ακροφυσίου όταν η συσκευή είναι ενεργοποιημένη.
- ◆ Μη χρησιμοποιείτε τη συσκευή ως πιστολάκι για τα μαλλιά! Η θερμοκρασία του αέρα είναι πολύ μεγαλύτερη από αυτή που παρέχει ένα πιστολάκι.
- ◆ Εξασφαλίστε επαρκή εξαερισμό κατά τη χρήση, καθώς υπάρχει κίνδυνος να δημιουργηθούν τοξικές αναθυμιάσεις.
- ◆ Μη χρησιμοποιείτε τη συσκευή σε περιβάλλον με υψηλή υγρασία.
- ◆ Κατά τις εργασίες αφαίρεσης χρώματος, να διασφαλίσετε ότι ο χώρος εργασίας είναι κλειστός. Φορέστε μάσκα σκόνης ειδικά σχεδιασμένη για προστασία έναντι της σκόνης και των αναθυμιάσεων από χρώματα με μόλυβδο και βεβαιωθείτε ότι τα άτομα που βρίσκονται ή εισέρχονται στο χώρο εργασίας είναι επίσης προστατευμένα.
- ◆ Μην καίτε το χρώμα, καθώς υπάρχει κίνδυνος πρόκλησης πυρκαγιάς.

- ◆ Μην αφήνετε να κολλήσει χρώμα στο ακροφύσιο, καθώς υπάρχει περίπτωση το χρώμα να αναφλεγεί μετά από κάποιο χρόνο.
- ◆ Απενεργοποιήστε τη συσκευή και αφήστε την να κρυώσει, πριν τοποθετήσετε οποιοδήποτε εξάρτημα.

Αφαίρεση χρώματος με βάση το μόλυβδο

- ◆ Απαιτείται ιδιαίτερα μεγάλη προσοχή κατά την αφαίρεση χρώματος. Τα "φλούδια", τα υπολείμματα και οι αναθυμιάσεις του χρώματος μπορεί να περιέχουν μόλυβδο, ο οποίος είναι δηλητηριώδης. Τα κτήρια που κατασκευάστηκαν πριν το 1960 μπορεί στο παρελθόν να έχουν βαφτεί με χρώμα που περιείχε μόλυβδο. Αυτό το χρώμα ίσως να έχει καλυφθεί με επιπλέον στρώσεις χρώματος. Εφόσον έχει επικαθίσει στις διάφορες επιφάνειες, μπορεί να οδηγήσει σε ακούσια κατάποση μολύβδου μέσω της επαφής των χεριών με το στόμα.
- ◆ Η έκθεση ακόμα και σε χαμηλά επίπεδα μολύβδου μπορεί να προκαλέσει μη αναστρέψιμες βλάβες στον εγκέφαλο και το νευρικό σύστημα. Τους μεγαλύτερους κίνδυνους που ενέχει η δηλητηρίαση από μόλυβδο διατρέχουν τα παιδιά και οι έγκυες γυναίκες.
- ◆ Πριν ξεκινήσετε να εργάζεστε, είναι πολύ σημαντικό να μάθετε, εάν το χρώμα που θα αφαιρέσετε περιέχει μόλυβδο. Αυτό μπορεί να γίνει με χρήση ενός κιτ δοκιμών ή από έναν επαγγελματία διακοσμητή. Μην καπνίζετε, μην τρώτε και μην πίνετε σε χώρους εργασίας όπου υπάρχει κίνδυνος να έχουν μολυνθεί από μόλυβδο. Τα χρώματα με βάση το μόλυβδο πρέπει να αφαιρούνται μόνο από επαγγελματίες και χωρίς τη χρήση θερμικού πιστολιού.

Ετικέτες



Διαβάστε προσεκτικά όλο το περιεχόμενο αυτού του εγχειριδίου πριν χρησιμοποιήσετε τη συσκευή σας.

Ασφαλής χρήση του ηλεκτρικού ρεύματος



Αυτό το προϊόν φέρει διπλή μόνωση, επομένως δεν απαιτείται σύρμα γείωσης. Ελέγχετε πάντοτε εάν η τάση τροφοδοσίας συμφωνεί με αυτήν που αναγράφεται στην πινακίδα χαρακτηριστικών του εργαλείου.

- ◆ Αν το καλώδιο ρεύματος έχει υποστεί φθορά, η αντικατάστασή του πρέπει να γίνει από τον κατασκευαστή ή από ένα εξουσιοδοτημένο κέντρο της Black & Decker, ώστε να μην αποτελέσει κίνδυνο.

Καλώδια προέκτασης

- ◆ Επειδή η συσκευή σας φέρει διπλή μόνωση και είναι κατασκευής κλάσης II, πρέπει να χρησιμοποιείται καλώδιο 2 ή 3 αγωγών.
- ◆ Μπορούν να χρησιμοποιούνται καλώδια προέκτασης μήκους μέχρι 30 μέτρων χωρίς πώση τάσης.

Χαρακτηριστικά

1. Ακροφύσιο
2. Θυρίδες εισαγωγής αέρα
3. Κουμπί απασφάλισης αρθρωτής λαβής
4. Διακόπτης ρύθμισης θερμότητας (on/off)
5. Γάντζος στερέωσης
6. Βάση
7. Προστατευτικό θερμότητας

εικ. Α

10. Ακροφύσιο Black & Decker

εικ. G - J

12. Ακροφύσιο σχήματος ουράς ψαριού
13. Ακροφύσιο με προστασία γυαλιού
14. Ακροφύσιο με ημικυκλικό ανακλαστήρα
15. Κωνικό ακροφύσιο
16. Χειροκίνητη ζύστρα

Συναρμολόγηση (εικ. Α και Β)

Προειδοποίηση! Πριν από τη συναρμολόγηση, βεβαιωθείτε ότι το εργαλείο είναι απενεργοποιημένο και ότι το φως δεν είναι στην πρίζα.

Προειδοποίηση! Πριν από την τοποθέτηση ή την αφαίρεση των εξαρτημάτων, βεβαιωθείτε ότι η συσκευή είναι απενεργοποιημένη και κρύα.

Το θερμικό πιστόλι σας είναι εξοπλισμένο με μια ενσωματωμένη ζύστρα Black & Decker.

- ◆ Ευθυγραμμίστε την εγκοπή στη λάμα της ζύστρας (9) με την προεξοχή στην υποδοχή λάμας (10) και τοποθετήστε την κάτω από τη βίδα συγκράτησης (8).

Σημείωση: Βεβαιωθείτε ότι η οπή στην ζύστρα (9) βρίσκεται στα αριστερά της βίδας (8) στην υποδοχή λάμας (10).

- ◆ Σφίξτε τη βίδα συγκράτησης (8).
- ◆ Τοποθετήστε την υποδοχή λάμας (10) πάνω από το στόμιο εξόδου του ακροφυσίου (1). Βεβαιωθείτε ότι τα δύο μέρη είναι ευθυγραμμισμένα: το μικρό εξόγκωμα στο εσωτερικό της υποδοχής λάμας (10) πρέπει να εισχωρεί στην εσοχή που υπάρχει στο ακροφύσιο.
- ◆ Σφίξτε τη βίδα σύσφιγξης της υποδοχής λάμας (11).

Το θερμικό πιστόλι σας (μόνο το μοντέλο KX1693) παρέχεται επίσης με τα παρακάτω τέσσερα ακροφύσια. Σας συνιστούμε να χρησιμοποιείτε πάντοτε τα ακροφύσια

προκειμένου να εξασφαλίσετε τα καλύτερα δυνατά αποτελέσματα.

Ακροφύσιο σχήματος ουράς ψαριού (12) - Ιδανικό για αφαίρεση χρώματος ή βερνικιού από μεγάλες επίπεδες επιφάνειες.

Κωνικό ακροφύσιο (15) - Συγκεντρώνει το ρεύμα αέρα σε μια μικρότερη, πιο συγκεντρωμένη περιοχή.

Ακροφύσιο με ημικυκλικό ανακλαστήρα (14) - διαχέει ομοιόμορφα τον αέρα γύρω από ολόκληρο το αντικείμενο.

Ακροφύσιο με προστασία γυαλιού (13) - για την προστασία γυάλινων επιφανειών κατά την αφαίρεση χρώματος.

- ◆ Προσαρμόστε το συνδετικό τεμάχιο του εξαρτήματος στο ακροφύσιο (1).

Η συσκευή σας διαθέτει επίσης μια χειροκίνητη ζύστρα για την αφαίρεση χρώματος και βερνικιού.

Λαβή δύο θέσεων (εικ. C)

Η συσκευή σας είναι ένα άκρως ευέλικτο θερμικό πιστόλι με λαβή δύο θέσεων, το οποίο μπορεί να χρησιμοποιηθεί άνετα σε πολλές διαφορετικές εφαρμογές. Είναι σχεδιασμένο για χρήση με δύο τρόπους: με κράτημα της λαβής του πιστολιού υπό κλίση (α) ή στην ευθεία (β).

- ◆ Για να αλλάξετε τη θέση της λαβής της συσκευής, κρατήστε πιεσμένο το κουμπί απασφάλισης λαβής (3) και περιστρέψτε τη λαβή 180 μοίρες.

Χρήση**Λειτουργία του θερμικού πιστολιού (εικ. D)**

- ◆ Για να ενεργοποιήσετε το θερμικό πιστόλι, σπρώξτε το διακόπτη ρύθμισης θερμότητας (4) προς τα εμπρός, σε μια από τις θέσεις 1, 2 ή 3 (η θέση 3 διατίθεται μόνο στο μοντέλο KX1693).

Σημείωση: Οι αριθμοί θέσης αντιστοιχούν στις ρυθμίσεις θερμότητας που περιγράφονται στον πίνακα τεχνικών χαρακτηριστικών στο τέλος του εγχειριδίου.

- ◆ Για να απενεργοποιήσετε το θερμικό πιστόλι σας, τραβήξτε το διακόπτη ρύθμισης θερμότητας (4) προς τα πίσω για να γίνει ορατή η θέση απενεργοποίησης (0).

Χρήση της συσκευής

- ◆ Αφήστε τη συσκευή να ζεσταθεί για μερικά δευτερόλεπτα πριν τη χρήση.

Σημείωση: Κατά την πρώτη χρήση, ίσως να παρατηρηθεί καπνός από το ακροφύσιο. Αυτό είναι φυσιολογικό και σύντομα θα εξαλειφθεί.

- ◆ **Ρύθμιση χαμηλής θερμοκρασίας** - χρησιμοποιήστε τη ρύθμιση χαμηλής θερμοκρασίας για στέγνωμα χρώματος και βερνικίου, αφαίρεση αυτοκόλλητων, συρρίκνωση μονωτικών σωληνοειδών περιβλημάτων και απόφυξη παγωμένων σωλήνων.
- ◆ **Ρύθμιση μέτριας θερμοκρασίας** (μόνο στο μοντέλο KX1693) - χρησιμοποιήστε τη ρύθμιση μέτριας θερμοκρασίας για συγκόλληση πλαστικών, κάμψη πλαστικών σωλήνων και χαλάρωση σφιγμένων παξιμαδιών και βιδών.
- ◆ **Ρύθμιση υψηλής θερμοκρασίας** - χρησιμοποιήστε τη ρύθμιση υψηλής θερμοκρασίας για αφαίρεση χρωμάτων και λούστρων, καθώς και για συγκόλληση ενώσεων σε υδραυλικές εγκαταστάσεις.

Εάν δεν είστε βέβαιοι για τη χρήση αυτής της συσκευής σε ένα συγκεκριμένο υλικό, ξεκινήστε με ρύθμιση χαμηλής θερμοκρασίας και κάντε μια δοκιμή σε ένα άχρηστο κομμάτι του υλικού.

Αφαίρεση του προστατευτικού θερμότητας

Για την εκτέλεση εργασιών σε ιδιαίτερα στενά μέρη, μπορείτε να αφαιρέσετε το προστατευτικό θερμότητας (7).
Προειδοποίηση! Πριν από την τοποθέτηση ή την αφαίρεση του προστατευτικού θερμότητας, βεβαιωθείτε ότι η συσκευή είναι απενεργοποιημένη και κρύα.

Προειδοποίηση! Υπάρχει αυξημένος κίνδυνος εγκαυμάτων όταν εργάζεστε χωρίς το προστατευτικό θερμότητας.

- ◆ Αφαιρέστε το προστατευτικό θερμότητας (7) περιστρέφοντάς το αριστερόστροφα και αφαιρώντας το από το θερμικό πιστόλι.
- ◆ Επανατοποθετήστε το προστατευτικό θερμότητας (7) στο θερμικό πιστόλι και ασφαλίστε το στη θέση του περιστρέφοντάς το δεξιόστροφα.

Χρήση χωρίς χέρια (εικ. Ε)

Προειδοποίηση! Πάντοτε να έχετε στραμμένη τη συσκευή προς την αντίθετη κατεύθυνση από εσάς ή άλλα άτομα. Μην αγγίζετε το ακροφύσιο. Προσέχετε να μην πέσουν υλικά μέσα στο ακροφύσιο.

Το θερμικό πιστόλι διαθέτει βάση (6), η οποία επιτρέπει τη χρήση του χωρίς χέρια.

- ◆ Τοποθετήστε το θερμικό πιστόλι σας με τη λαβή στην ευθεία (εικ. C b).
- ◆ Τοποθετήστε το θερμικό πιστόλι σε μια επιφάνεια όπου να μην μπορεί να ανατραπεί.
- ◆ Στερεώστε το καλώδιο ώστε να μην μπορεί να τραβήξει και να ανατρέψει τη συσκευή.

Αφαίρεση χρώματος (εικ. G - J)

Σημείωση: Τα ακροφύσια που παρουσιάζονται στις εικ. G - J παρέχονται μόνο με το μοντέλο KX1693.

Προειδοποίηση! Πάντοτε να έχετε στραμμένη τη συσκευή προς την αντίθετη κατεύθυνση από εσάς ή άλλα άτομα. Μην αγγίζετε το ακροφύσιο. Προσέχετε να μην πέσουν υλικά μέσα στο ακροφύσιο.

- ◆ Κατευθύνετε το ρεύμα ζεστού αέρα προς την περιοχή εργασίας για να ζεσταθεί το χρώμα.
- ◆ Μην κάψετε το χρώμα. Κρατήστε το χρώμα σε απόσταση τουλάχιστον 25 mm από την επιφάνεια.
- ◆ Όταν το χρώμα μαλακώσει, αφαιρέστε το χρησιμοποιώντας ζύστρα. Ξύστε το μαλακό χρώμα αμέσως γιατί, διαφορετικά, θα σκληρύνει ξανά.
- ◆ Να ζύνετε πάντα σύμφωνα με τη φορά των "νερών" του ξύλου, όποτε αυτό είναι δυνατό.
- ◆ Μην αφήνετε να μαζεύονται ακαθαρσίες και χρώμα πάνω στην ζύστρα.
- ◆ Όταν ζύνετε από κάθετη θέση, να ζύνετε με κατεύθυνση προς τα κάτω προκειμένου να εμποδιστεί η εισχώρηση χρώματος μέσα στο ακροφύσιο.
- ◆ Κατά την αφαίρεση χρώματος από μια επιφάνεια δίπλα σε γυαλί, λάβετε τα απαραίτητα μέτρα για την προστασία του γυαλιού από τη θερμότητα.

Προειδοποίηση! Χρησιμοποιήστε ακροφύσιο με προστασία γυαλιού κατά την αφαίρεση χρώματος από παράθυρα με μεταλλικό ή ξύλινο κούφωμα.

- ◆ Απορρίψτε με ασφάλεια όλα τα κατάλοιπα χρώματος και βεβαιωθείτε ότι ο χώρος εργασίας έχει καθαριστεί σχολαστικά μετά τη χρήση.

Ψύξη της συσκευής (εικ. F)

Κατά τη χρήση, το ακροφύσιο του θερμικού πιστολιού ζεσταίνεται πάρα πολύ.

- ◆ Μετά την απενεργοποίησή του, κρεμάστε το θερμικό πιστόλι σας στο γάντζο στερέωσης (5) ή χρησιμοποιήστε τη βάση (6) όπως περιγράφηκε στην παράγραφο "Χρήση χωρίς χέρια".
- ◆ Αφήστε το να κρυώσει για 30 λεπτά τουλάχιστον.
- ◆ Για να επιταχύνετε το χρόνο ψύξης, λειτουργήστε τη συσκευή στη ρύθμιση ελάχιστης θερμοκρασίας για μερικά λεπτά πριν την απενεργοποιήσετε.

Συντήρηση

Αυτή η συσκευή της Black & Decker έχει σχεδιαστεί έτσι ώστε να λειτουργεί για μεγάλο χρονικό διάστημα με την ελάχιστη δυνατή συντήρηση. Η αδιάλειπτη και ικανοποιητική λειτουργία της συσκευής εξαρτάται από την φροντίδα και τον τακτικό καθαρισμό της.

Προειδοποίηση! Πριν εκτελέσετε οποιαδήποτε εργασία συντήρησης στη συσκευή, απενεργοποιήστε τη συσκευή, αποσυνδέστε την από την πρίζα και αφήστε τη να κρυώσει.

- ◆ Να καθαρίζετε τακτικά τις εγκοπές εξαιρισμού του εργαλείου με μια μαλακή βούρτσα ή με ένα στεγνό πανί.
- ◆ Για τον καθαρισμό της συσκευής, χρησιμοποιείτε αποκλειστικά ήπιο σαπούνι και υγρό πανί. Μη χρησιμοποιείτε λειαντικά ή υγρά καθαρισμού που περιέχουν διαλυτικά. Μην αφήσετε σε καμία περίπτωση να εισχωρήσει υγρό στο εσωτερικό της συσκευής και μη βυθίσετε ποτέ οποιοδήποτε μέρος της σε υγρό.

Προστασία του περιβάλλοντος



Επιλεκτική περισυλλογή. Αυτό το προϊόν δεν πρέπει να απορρίπτεται μαζί με τα κοινά οικιακά απορρίμματα.

Εάν κάποια μέρα διαπιστώσετε ότι το προϊόν σας Black & Decker χρειάζεται αντικατάσταση, ή ότι δεν το χρειάζεστε άλλο, μην το απορρίψετε μαζί με τα κοινά οικιακά απορρίμματα αλλά κάντε αυτό το προϊόν διαθέσιμο για ανεξάρτητη αποκομιδή.



Η ανεξάρτητη συλλογή των μεταχειρισμένων προϊόντων και των υλικών συσκευασίας δίνει τη δυνατότητα ανακύκλωσης και επαναχρησιμοποίησης των υλικών. Με την επαναχρησιμοποίηση των ανακυκλωμένων υλικών αποτρέπεται η μόλυνση του περιβάλλοντος και μειώνεται η ζήτηση πρώτων υλών.

Οι κανονισμοί που ισχύουν στην περιοχή σας ενδέχεται να προβλέπουν την επιλεκτική περισυλλογή των ηλεκτρικών συσκευών που προέρχονται από νοικοκυριά σε κρατικές εγκαταστάσεις ή από τον έμπορο όταν αγοράσετε ένα καινούργιο προϊόν.

Η Black & Decker δίνει τη δυνατότητα ανακύκλωσης των προϊόντων της που έχουν συμπληρώσει τη διάρκεια ζωής τους. Για να χρησιμοποιήσετε αυτήν την υπηρεσία, επιστρέψτε το προϊόν σας σε οποιοδήποτε εξουσιοδοτημένο κέντρο επισκευών, όπου θα το παραλάβουν εκ μέρους μας.

Ενημερωθείτε για το πλησιέστερο εξουσιοδοτημένο κέντρο επισκευών της περιοχής σας, επικοινωνώντας με τα γραφεία της Black & Decker στη διεύθυνση που αναγράφεται στο εγχειρίδιο. Επίσης, για να πληροφορηθείτε για τα εξουσιοδοτημένα κέντρα επισκευών της Black & Decker και τους αρμόδιους των υπηρεσιών που παρέχονται μετά την πώληση, μπορείτε να ανατρέξετε στο Διαδίκτυο, στη διεύθυνση: www.2helpU.com.

Τεχνικά χαρακτηριστικά

	KX1692	KX1693
Τάση	Vac 230/240	230/240
Κατασκευή	Κλάσης II	Κλάσης II
Ισχύς εισόδου	W 1600	1800
Εύρος θερμοκρασίας	°C 140 - 560	140 - 560
Θέση διακόπτη	1 140°C	140°C
Θέση διακόπτη	2 560°C	380°C
Θέση διακόπτη	3 Μη διαθέσιμο	560°C
Βάρος	kg 0,75	0,75

Εγγύηση

Η Black & Decker είναι σίγουρη για την ποιότητα των προϊόντων της και παρέχει σημαντική εγγύηση. Η παρούσα γραπτή εγγύηση αποτελεί πρόσθετο δικαίωμά σας και δεν ζημιώνει τα νόμιμα δικαιώματά σας. Η εγγύηση ισχύει εντός της επικράτειας των Κρατών Μελών της Ευρωπαϊκής Ένωσης και της Ευρωπαϊκής Ζώνης Ελευθέρων Συναλλαγών.

Σε περίπτωση που κάποιο προϊόν της Black & Decker παρουσιάσει βλάβη εξαιτίας ελαττωματικών υλικών, ποιότητας εργασίας ή έλλειψης συμφωνίας με τις προδιαγραφές εντός 24 μηνών από την ημερομηνία αγοράς η Black & Decker εγγυάται την αντικατάσταση των ελαττωματικών τμημάτων, την επισκευή προϊόντων που έχουν υποστεί εύλογη φθορά λόγω χρήσης ή την αντικατάσταση των προϊόντων προκειμένου να εξασφαλίσει την ελάχιστη ενόχληση στους πελάτες της, εκτός εάν:

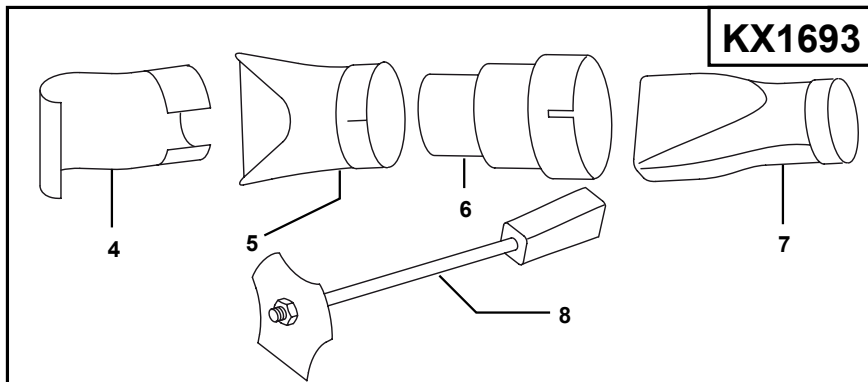
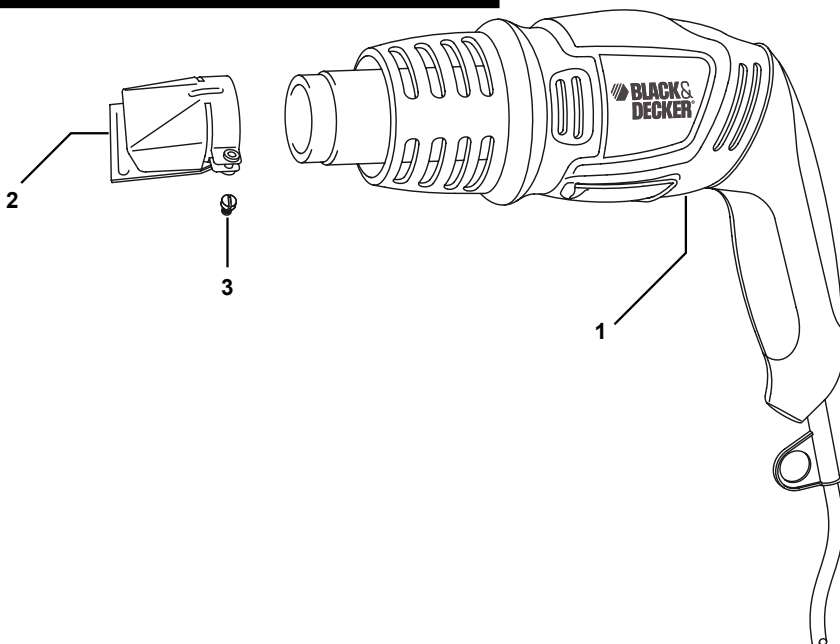
- ◆ Το προϊόν έχει χρησιμοποιηθεί σε εργασιακό, επαγγελματικό περιβάλλον ή αν έχει ενοικιαστεί.
- ◆ Έχει γίνει εσφαλμένη χρήση του προϊόντος ή έχει παραμεληθεί.
- ◆ Το προϊόν έχει υποστεί βλάβη από άλλα αντικείμενα, από ουσίες ή λόγω ατυχήματος.
- ◆ Έχει γίνει προσπάθεια επισκευής από μη εξουσιοδοτημένα κέντρα επισκευών ή από προσωπικό που δεν ανήκει στο προσωπικό της Black & Decker.

Για να ισχύσει η εγγύηση, πρέπει να υποβάλετε απόδειξη αγοράς στον πωλητή ή το εξουσιοδοτημένο κέντρο επισκευών. Ενημερωθείτε για το πλησιέστερο εξουσιοδοτημένο κέντρο επισκευών της περιοχής σας, επικοινωνώντας με τα γραφεία της Black & Decker στη διεύθυνση που αναγράφεται στο εγχειρίδιο. Επίσης, για να πληροφορηθείτε για τα εξουσιοδοτημένα κέντρα επισκευών της Black & Decker και τους αρμόδιους των υπηρεσιών που παρέχονται μετά την πώληση, μπορείτε να ανατρέξετε στο Διαδίκτυο, στη διεύθυνση:

www.2helpU.com

Παρακαλούμε επισκεφθείτε την ιστοσελίδα μας **www.blackanddecker.eu** για να καταχωρήσετε το νέο σας προϊόν Black & Decker και για να ενημερώσετε για τα νέα προϊόντα και τις ειδικές προσφορές. Περισσότερες πληροφορίες σχετικά με τη μάρκα Black & Decker και τη σειρά των προϊόντων μας θα βρείτε στη διεύθυνση **www.blackanddecker.eu**.

Partial support - Only parts shown available
Nur die aufgeführten teile sind lieferbar
Reparation partielle - Seules les pieces indiquees sont disponibles
Supporto parziale - Sono disponibili soltanto le parti evidenziate
Solo estan disponibles las piezas listadas
So se encontram disponiveis as pecas listadas
Gedeeltelijke ondersteuning - alleen de getoonde onderdelen
zijn beschikbaar



België/Belgique	Black & Decker (Belgium) N.V. Nieuwlandiaan 321 3200 Aarschot	Tel. Fax	016 68 91 00 016 68 91 11
Danmark	Black & Decker Sluseholmen 2-4, 2450 København SV Internet: www.blackanddecker.dk	Tel. Fax	70 20 15 10 70 22 49 10
Deutschland	Black & Decker GmbH Black & Decker Str. 40, D - 65510 Idstein	Tel. Fax	06126/21 - 0 06126/21 29 80
Ελλάδα	Black & Decker (Ελλάς) A.E. Στράβωνος 7 & Λεωφ. Βουλιαγμένης 159 166 74 Γλυφάδα - Αθήνα	Τηλ. Φαξ www.blackanddecker.eu	210 8981616 210 8983285
España	Black & Decker Ibérica, S.C.A. Parc de Negocis "Mas Blau" Edificio Muntadas, c/Bergadá, 1, Of. A6 08820 El Prat de Llobregat (Barcelona)	Tel. Fax	934 797 400 934 797 419
France	Black & Decker (France) S.A.S. B.P. 21, 69571 Dardilly Cédex	Tel. Fax	04 72 20 39 20 04 72 20 39 00
Helvetia	ROFO AG Gewerbezone Seeblick 3213 Kleinbösingen	Tel. Fax	026-6749391 026-6749394
Italia	Black & Decker Italia SpA Viale Elvezia 2 20052 Monza (MI)	Tel. Fax Numero verde	039-23871 039-2387592/2387594 800-213935
Nederland	Black & Decker Benelux Joulehof 12, 4622 RG Bergen op Zoom	Tel. Fax	0164 - 283000 0164 - 283100
Norge	Black & Decker (Norge) A/S Postboks 4814, Nydalen, 0422 Oslo Internet: www.blackanddecker.no	Tlf. Fax	22 90 99 00 22 90 99 01
Österreich	Black & Decker Vertriebsges.m.b.H Oberlaaerstraße 246, A1100 Wien	Tel. Fax	01 66116-0 01 66116-14
Portugal	Black & Decker Rua Egas Moniz 173 S. João do Estoril 2766-651 Estoril	Tel. Fax	214667500 214667580
Suomi	Black & Decker Oy Keilasatama 3, 02150 Espoo Black & Decker Oy, Kägelhamnen 3, 02150 Esbo	Puh. Faksi Tel. Fax	010 400 430 (09) 2510 7100 010 400 430 (09) 2510 7100
Sverige	Black & Decker AB Fabriksg. 7, 412 50 Göteborg	Tel. Fax	031-68 60 60 031-68 60 80
United Kingdom	Black & Decker 210 Bath Road Slough, Berkshire SL1 3YD	Tel. Fax Helpline	01753 511234 01753 551155 01753 574277
Middle East & Africa	Black & Decker (Overseas) A.G. PB 5420, Dubai, United Arab Emirates	Tel. Fax	+971 4 2826464 +971 4 2826466

Dealer address
Händleradresse
Cachet du revendeur
Indirizzo del rivenditore
Adres van de dealer
Dirección del detallista
Morada do revendedor
Återförsäljarens adress
Forhandlerens adresse
Forhandler adresse
Jälleenmyyjän osoite
Διεύθυνση αντιπροσώπου

◆ Name ◆ Name ◆ Nom ◆ Nome
◆ Naam ◆ Nombre ◆ Nome ◆ Namn
◆ Navn ◆ Nimi ◆ Διεύθυνση:

◆ Address ◆ Adresse ◆ Indirizzo ◆
Adres ◆ Dirección ◆ Morada ◆ Address ◆
Adresse ◆ Adresse ◆ Osoite ◆ Διεύθυνση:

◆ Town ◆ Ort ◆ Ville ◆ Città ◆ Plaats
◆ Ciudad ◆ Localidade ◆ Ort ◆ By
◆ Paikkakunta ◆ Πόλη:

◆ Postal code ◆ Postleitzahl ◆ Code postal
◆ Codice postale ◆ Postcode
◆ Código ◆ Código postal ◆ Postnr.
◆ Postnr. ◆ Postnr. ◆ Postnummero
◆ Κωδικός

Date of purchase
Kaufdatum
Date d'achat
Data d'acquisto
Aankoopdatum
Fecha de compra
Data de compra
Inköpsdatum
Imkijõpsdato
Indkøbsdato
Ostopäivä
Ημερομηνία αγοράς

◆ Yes ◆ Ja ◆ Oui ◆ Si ◆ Ja ◆ Si
◆ Sim ◆ Ja ◆ Ja ◆ Ja ◆ Kyllä ◆ Nai

◆ No ◆ Nein ◆ Non ◆ No ◆ Nee
◆ No ◆ Não ◆ Nej ◆ Nei ◆ Nej
◆ Ei ◆ Oyi

◆ Dealer address ◆ Händleradresse
◆ Cachet du revendeur ◆ Indirizzo del
rivenditore ◆ Adres van de dealer
◆ Dirección del detallista ◆ Morada do
revendedor ◆ Återförsäljarens adress
◆ Forhandlerens adresse ◆ Forhandler adresse
◆ Jälleenmyyjän osoite
◆ Διεύθυνση αντιπροσώπου

Cat. no.:



◆ Is this tool a gift? ◆ Ist dieses
Geschenk? ◆ S'agit-il d'un cadeau? ◆ Si tratta
di un regalo? ◆ Kreeg u de machine als cadeau?
◆ ¿Ha recibido usted esta herramienta como
regalo? ◆ Recebeu esta ferramenta como
presente? ◆ Är verktyget en gåva?
◆ Er verktyget en gave? ◆ Onko kone lahja?
◆ Το εργαλείο είναι δώρο?

◆ Yes ◆ Ja ◆ Oui ◆ Si ◆ Ja ◆ Si
◆ Sim ◆ Ja ◆ Ja ◆ Ja ◆ Kyllä ◆ Nai

◆ No ◆ Nein ◆ Non ◆ No ◆ Nee
◆ No ◆ Não ◆ Nej ◆ Nei ◆ Nej
◆ Ei ◆ Oyi

◆ Is this tool your first purchase? ◆ Ist dieses
Gerät ein Erstkauf? ◆ Est-ce un 1er achat?
◆ Questo prodotto è il suo primo acquisto?
◆ Is deze machine uw eerste aankoop?
◆ ¿Es esta herramienta la primera de este tipo?
◆ Esta ferramenta é a sua primeira compra?
◆ Är detta ditt första B&D-verktyg? ◆ Er dette
ditt første B&D verktoy? ◆ Er dette ditt første
B&D verkøi? ◆ Onko tämä ensimmäinen B&D-
koneesi? ◆ Είναι το εργαλείο αυτό η πρώτη
σας αγορά? ◆

◆ Yes ◆ Ja ◆ Oui ◆ Si ◆ Ja ◆ Si
◆ Sim ◆ Ja ◆ Ja ◆ Ja ◆ Kyllä ◆ Nai

◆ No ◆ Nein ◆ Non ◆ No ◆ Nee
◆ No ◆ Não ◆ Nej ◆ Nei ◆ Nej
◆ Ei ◆ Oyi

◆ Is this tool your first purchase? ◆ Ist dieses
Gerät ein Erstkauf? ◆ Est-ce un 1er achat?
◆ Questo prodotto è il suo primo acquisto?
◆ Is deze machine uw eerste aankoop?
◆ ¿Es esta herramienta la primera de este tipo?
◆ Esta ferramenta é a sua primeira compra?
◆ Är detta ditt första B&D-verktyg? ◆ Er dette
ditt første B&D verktoy? ◆ Er dette ditt første
B&D verkøi? ◆ Onko tämä ensimmäinen B&D-
koneesi? ◆ Είναι το εργαλείο αυτό η πρώτη
σας αγορά? ◆

◆ Yes ◆ Ja ◆ Oui ◆ Si ◆ Ja ◆ Si
◆ Sim ◆ Ja ◆ Ja ◆ Ja ◆ Kyllä ◆ Nai

◆ No ◆ Nein ◆ Non ◆ No ◆ Nee
◆ No ◆ Não ◆ Nej ◆ Nei ◆ Nej
◆ Ei ◆ Oyi

◆ Is this tool your first purchase? ◆ Ist dieses
Gerät ein Erstkauf? ◆ Est-ce un 1er achat?
◆ Questo prodotto è il suo primo acquisto?
◆ Is deze machine uw eerste aankoop?
◆ ¿Es esta herramienta la primera de este tipo?
◆ Esta ferramenta é a sua primeira compra?
◆ Är detta ditt första B&D-verktyg? ◆ Er dette
ditt første B&D verktoy? ◆ Er dette ditt første
B&D verkøi? ◆ Onko tämä ensimmäinen B&D-
koneesi? ◆ Είναι το εργαλείο αυτό η πρώτη
σας αγορά? ◆

◆ Yes ◆ Ja ◆ Oui ◆ Si ◆ Ja ◆ Si
◆ Sim ◆ Ja ◆ Ja ◆ Ja ◆ Kyllä ◆ Nai

◆ No ◆ Nein ◆ Non ◆ No ◆ Nee
◆ No ◆ Não ◆ Nej ◆ Nei ◆ Nej
◆ Ei ◆ Oyi

◆ Is this tool your first purchase? ◆ Ist dieses
Gerät ein Erstkauf? ◆ Est-ce un 1er achat?
◆ Questo prodotto è il suo primo acquisto?
◆ Is deze machine uw eerste aankoop?
◆ ¿Es esta herramienta la primera de este tipo?
◆ Esta ferramenta é a sua primeira compra?
◆ Är detta ditt första B&D-verktyg? ◆ Er dette
ditt første B&D verktoy? ◆ Er dette ditt første
B&D verkøi? ◆ Onko tämä ensimmäinen B&D-
koneesi? ◆ Είναι το εργαλείο αυτό η πρώτη
σας αγορά? ◆

◆ Yes ◆ Ja ◆ Oui ◆ Si ◆ Ja ◆ Si
◆ Sim ◆ Ja ◆ Ja ◆ Ja ◆ Kyllä ◆ Nai

◆ No ◆ Nein ◆ Non ◆ No ◆ Nee
◆ No ◆ Não ◆ Nej ◆ Nei ◆ Nej
◆ Ei ◆ Oyi

◆ Is this tool your first purchase? ◆ Ist dieses
Gerät ein Erstkauf? ◆ Est-ce un 1er achat?
◆ Questo prodotto è il suo primo acquisto?
◆ Is deze machine uw eerste aankoop?
◆ ¿Es esta herramienta la primera de este tipo?
◆ Esta ferramenta é a sua primeira compra?
◆ Är detta ditt första B&D-verktyg? ◆ Er dette
ditt første B&D verktoy? ◆ Er dette ditt første
B&D verkøi? ◆ Onko tämä ensimmäinen B&D-
koneesi? ◆ Είναι το εργαλείο αυτό η πρώτη
σας αγορά? ◆

◆ Yes ◆ Ja ◆ Oui ◆ Si ◆ Ja ◆ Si
◆ Sim ◆ Ja ◆ Ja ◆ Ja ◆ Kyllä ◆ Nai

◆ No ◆ Nein ◆ Non ◆ No ◆ Nee
◆ No ◆ Não ◆ Nej ◆ Nei ◆ Nej
◆ Ei ◆ Oyi

◆ Is this tool your first purchase? ◆ Ist dieses
Gerät ein Erstkauf? ◆ Est-ce un 1er achat?
◆ Questo prodotto è il suo primo acquisto?
◆ Is deze machine uw eerste aankoop?
◆ ¿Es esta herramienta la primera de este tipo?
◆ Esta ferramenta é a sua primeira compra?
◆ Är detta ditt första B&D-verktyg? ◆ Er dette
ditt første B&D verktoy? ◆ Er dette ditt første
B&D verkøi? ◆ Onko tämä ensimmäinen B&D-
koneesi? ◆ Είναι το εργαλείο αυτό η πρώτη
σας αγορά? ◆

◆ Yes ◆ Ja ◆ Oui ◆ Si ◆ Ja ◆ Si
◆ Sim ◆ Ja ◆ Ja ◆ Ja ◆ Kyllä ◆ Nai

◆ No ◆ Nein ◆ Non ◆ No ◆ Nee
◆ No ◆ Não ◆ Nej ◆ Nei ◆ Nej
◆ Ei ◆ Oyi

◆ Is this tool your first purchase? ◆ Ist dieses
Gerät ein Erstkauf? ◆ Est-ce un 1er achat?
◆ Questo prodotto è il suo primo acquisto?
◆ Is deze machine uw eerste aankoop?
◆ ¿Es esta herramienta la primera de este tipo?
◆ Esta ferramenta é a sua primeira compra?
◆ Är detta ditt första B&D-verktyg? ◆ Er dette
ditt første B&D verktoy? ◆ Er dette ditt første
B&D verkøi? ◆ Onko tämä ensimmäinen B&D-
koneesi? ◆ Είναι το εργαλείο αυτό η πρώτη
σας αγορά? ◆

◆ Yes ◆ Ja ◆ Oui ◆ Si ◆ Ja ◆ Si
◆ Sim ◆ Ja ◆ Ja ◆ Ja ◆ Kyllä ◆ Nai

◆ No ◆ Nein ◆ Non ◆ No ◆ Nee
◆ No ◆ Não ◆ Nej ◆ Nei ◆ Nej
◆ Ei ◆ Oyi

◆ Data protection act: Tick the box if you prefer
not to receive further information.
◆ Bitte ankreuzen, falls Sie keine weiteren
Informationen erhalten möchten. ◆ Si vous ne
souhaitez pas recevoir d'informations, cochez
cette case. ◆ Barrate la casella se non
desiderate ricevere informazioni.
◆ A.u.b. dit vakje aankruisen indien u geen
informatie wenst te ontvangen.
◆ Señale en la casilla sino quiere recibir
información. ◆ Por favor, assinale com uma
cruz se não desejar receber informação.
◆ Vänligen kryssa för i rutan om Ni inte vill ha
information.
◆ Vennligst kryss av dersom du ikke ønsker
informasjon. ◆ Venligst sæt kryds i ruden
såfremt De ikke måtte ønske at modtage
information.
◆ Merkitää rasti ruutuun, mikäli ette halua
vastaaottaa informaatiota.
◆ Παράκαλεστε να σημειώσετε εάν δεν θέλετε
να प्राप्तείτε πληροφορίες.

◆ Yes ◆ Ja ◆ Oui ◆ Si ◆ Ja ◆ Si
◆ Sim ◆ Ja ◆ Ja ◆ Ja ◆ Kyllä ◆ Nai

◆ No ◆ Nein ◆ Non ◆ No ◆ Nee
◆ No ◆ Não ◆ Nej ◆ Nei ◆ Nej
◆ Ei ◆ Oyi

◆ Dealer address ◆ Händleradresse
◆ Cachet du revendeur ◆ Indirizzo del
rivenditore ◆ Adres van de dealer
◆ Dirección del detallista ◆ Morada do
revendedor ◆ Återförsäljarens adress
◆ Forhandlerens adresse ◆ Forhandler adresse
◆ Jälleenmyyjän osoite
◆ Διεύθυνση αντιπροσώπου

◆ Yes ◆ Ja ◆ Oui ◆ Si ◆ Ja ◆ Si
◆ Sim ◆ Ja ◆ Ja ◆ Ja ◆ Kyllä ◆ Nai

◆ No ◆ Nein ◆ Non ◆ No ◆ Nee
◆ No ◆ Não ◆ Nej ◆ Nei ◆ Nej
◆ Ei ◆ Oyi

◆ Is this tool your first purchase? ◆ Ist dieses
Gerät ein Erstkauf? ◆ Est-ce un 1er achat?
◆ Questo prodotto è il suo primo acquisto?
◆ Is deze machine uw eerste aankoop?
◆ ¿Es esta herramienta la primera de este tipo?
◆ Esta herramienta é a sua primeira compra?
◆ Är detta ditt första B&D-verktyg? ◆ Er dette
ditt første B&D verktoy? ◆ Er dette ditt første
B&D verkøi? ◆ Onko tämä ensimmäinen B&D-
koneesi? ◆ Είναι το εργαλείο αυτό η πρώτη
σας αγορά? ◆

◆ Yes ◆ Ja ◆ Oui ◆ Si ◆ Ja ◆ Si
◆ Sim ◆ Ja ◆ Ja ◆ Ja ◆ Kyllä ◆ Nai

◆ No ◆ Nein ◆ Non ◆ No ◆ Nee
◆ No ◆ Não ◆ Nej ◆ Nei ◆ Nej
◆ Ei ◆ Oyi

◆ Is this tool your first purchase? ◆ Ist dieses
Gerät ein Erstkauf? ◆ Est-ce un 1er achat?
◆ Questo prodotto è il suo primo acquisto?
◆ Is deze machine uw eerste aankoop?
◆ ¿Es esta herramienta la primera de este tipo?
◆ Esta herramienta é a sua primeira compra?
◆ Är detta ditt första B&D-verktyg? ◆ Er dette
ditt første B&D verktoy? ◆ Er dette ditt første
B&D verkøi? ◆ Onko tämä ensimmäinen B&D-
koneesi? ◆ Είναι το εργαλείο αυτό η πρώτη
σας αγορά? ◆

◆ Yes ◆ Ja ◆ Oui ◆ Si ◆ Ja ◆ Si
◆ Sim ◆ Ja ◆ Ja ◆ Ja ◆ Kyllä ◆ Nai

◆ No ◆ Nein ◆ Non ◆ No ◆ Nee
◆ No ◆ Não ◆ Nej ◆ Nei ◆ Nej
◆ Ei ◆ Oyi

◆ Is this tool your first purchase? ◆ Ist dieses
Gerät ein Erstkauf? ◆ Est-ce un 1er achat?
◆ Questo prodotto è il suo primo acquisto?
◆ Is deze machine uw eerste aankoop?
◆ ¿Es esta herramienta la primera de este tipo?
◆ Esta herramienta é a sua primeira compra?
◆ Är detta ditt första B&D-verktyg? ◆ Er dette
ditt første B&D verktoy? ◆ Er dette ditt første
B&D verkøi? ◆ Onko tämä ensimmäinen B&D-
koneesi? ◆ Είναι το εργαλείο αυτό η πρώτη
σας αγορά? ◆

◆ Yes ◆ Ja ◆ Oui ◆ Si ◆ Ja ◆ Si
◆ Sim ◆ Ja ◆ Ja ◆ Ja ◆ Kyllä ◆ Nai

◆ No ◆ Nein ◆ Non ◆ No ◆ Nee
◆ No ◆ Não ◆ Nej ◆ Nei ◆ Nej
◆ Ei ◆ Oyi

◆ Is this tool your first purchase? ◆ Ist dieses
Gerät ein Erstkauf? ◆ Est-ce un 1er achat?
◆ Questo prodotto è il suo primo acquisto?
◆ Is deze machine uw eerste aankoop?
◆ ¿Es esta herramienta la primera de este tipo?
◆ Esta herramienta é a sua primeira compra?
◆ Är detta ditt första B&D-verktyg? ◆ Er dette
ditt første B&D verktoy? ◆ Er dette ditt første
B&D verkøi? ◆ Onko tämä ensimmäinen B&D-
koneesi? ◆ Είναι το εργαλείο αυτό η πρώτη
σας αγορά? ◆

◆ Yes ◆ Ja ◆ Oui ◆ Si ◆ Ja ◆ Si
◆ Sim ◆ Ja ◆ Ja ◆ Ja ◆ Kyllä ◆ Nai

◆ No ◆ Nein ◆ Non ◆ No ◆ Nee
◆ No ◆ Não ◆ Nej ◆ Nei ◆ Nej
◆ Ei ◆ Oyi

◆ Is this tool your first purchase? ◆ Ist dieses
Gerät ein Erstkauf? ◆ Est-ce un 1er achat?
◆ Questo prodotto è il suo primo acquisto?
◆ Is deze machine uw eerste aankoop?
◆ ¿Es esta herramienta la primera de este tipo?
◆ Esta herramienta é a sua primeira compra?
◆ Är detta ditt första B&D-verktyg? ◆ Er dette
ditt første B&D verktoy? ◆ Er dette ditt første
B&D verkøi? ◆ Onko tämä ensimmäinen B&D-
koneesi? ◆ Είναι το εργαλείο αυτό η πρώτη
σας αγορά? ◆

◆ Yes ◆ Ja ◆ Oui ◆ Si ◆ Ja ◆ Si
◆ Sim ◆ Ja ◆ Ja ◆ Ja ◆ Kyllä ◆ Nai

◆ No ◆ Nein ◆ Non ◆ No ◆ Nee
◆ No ◆ Não ◆ Nej ◆ Nei ◆ Nej
◆ Ei ◆ Oyi

◆ Is this tool your first purchase? ◆ Ist dieses
Gerät ein Erstkauf? ◆ Est-ce un 1er achat?
◆ Questo prodotto è il suo primo acquisto?
◆ Is deze machine uw eerste aankoop?
◆ ¿Es esta herramienta la primera de este tipo?
◆ Esta herramienta é a sua primeira compra?
◆ Är detta ditt första B&D-verktyg? ◆ Er dette
ditt første B&D verktoy? ◆ Er dette ditt første
B&D verkøi? ◆ Onko tämä ensimmäinen B&D-
koneesi? ◆ Είναι το εργαλείο αυτό η πρώτη
σας αγορά? ◆

◆ Yes ◆ Ja ◆ Oui ◆ Si ◆ Ja ◆ Si
◆ Sim ◆ Ja ◆ Ja ◆ Ja ◆ Kyllä ◆ Nai

◆ No ◆ Nein ◆ Non ◆ No ◆ Nee
◆ No ◆ Não ◆ Nej ◆ Nei ◆ Nej
◆ Ei ◆ Oyi

- ◆ GUARANTEE CARD
- ◆ GARANTIEKAART
- ◆ GARANTI KORT
- ◆ GARANTIEKARTE
- ◆ TARJETA DE GARANTIA
- ◆ GARANTI KORT
- ◆ CARTE DE GARANTIE
- ◆ CARTÃO DE GARANTIA
- ◆ TAKUKORTTI
- ◆ TAGLIANDO DI GARANZIA
- ◆ GARANTIBEVIS
- ◆ KAPTA EFTYHSHZ



English

Please complete this section immediately after the purchase of your tool and send it to Black & Decker in your country.

Português

Por favor, recorte esta parte, coloque-a num envelope selado e endereçado e envie-o logo após a compra do seu produto para o endereço da Black & Decker do seu país.

Deutsch

Bitte schneiden Sie diesen Abschnitt ab, stecken ihn in einen frankierten Umschlag und schicken ihn an die Black & Decker Adresse Ihres Landes.

Svenska

Var vänligst klipp ur denna del och sänd den i ett frankerat kuvert till Black & Deckers adress i Ditt land.

Français

Decoupez cette partie et envoyez-la sous enveloppe timbrée à l'adresse de Black & Decker dans votre pays, ceci immédiatement après votre achat.

Norsk

Vennligst klipp ut denne delen umiddelbart etter du har pakket ut ditt produkt og legg det i en adressert konvolutt til Black & Decker (Norge) AS.

Italiano

Per favore ritagliate questa parte, inseritela in una busta con francobollo e speditela subito dopo l'acquisto del prodotto all'indirizzo della Black & Decker nella vostra nazione.

Dansk

Venligst klip denne del ud og send frankeret til Black & Decker i dit land.

Nederlands

Knip dit gedeelte uit en zend het direct na aankoop in een gefrankeerde, geadresseerde envelop naar het adres van Black & Decker in uw land.

Suomi

Leikkää irit tämä osa, laita se kuoreen ja postita kuori paikalliseseen Black & Decker osoitteeseen.

Español

Después de haber comprado su herramienta envíe usted, por favor, esta tarjeta a la central de Black & Decker en su país.

Ελληνικά

Πρακτικά κόψτε αυτό το κομμάτι και τοχυδούποιστε το αμέσως μετά την αγορά του προϊόντος σας στην διεύθυνση της Black & Decker στην Ελλάδα.