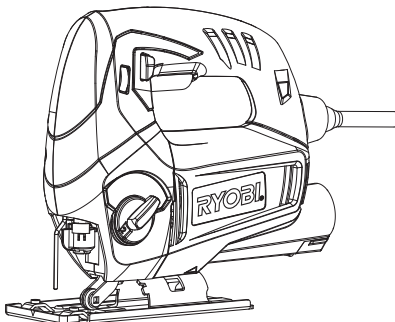


EJ600

GB	600W JIGSAW	USER'S MANUAL	1
FR	SCIE SAUTEUSE 600W	MANUEL D'UTILISATION	6
DE	600W STICHSÄGE	BEDIENUNGSANLEITUNG	11
ES	SIERRA DE VAIVÉN 600W	MANUAL DE UTILIZACIÓN	17
IT	SEGNETTO DA 600W	MANUALE D'USO	23
NL	600W DECOUPEERZAAGMACHINE	GEBRUIKSHANDLEIDING	28
PT	SERRA DE VAIVÉM DE 600W	MANUAL DE UTILIZAÇÃO	33
DK	600W STIKSAV	BRUGERVEJLEDNING	38
SE	FIGURSÄG 600 W	INSTRUKTIONSBOK	43
FI	600 W KUVIOSAHA	ΚΑΥΤΤÄJÄN KÄSIKIRJA	48
NO	600 W STIKKSAG	BRUKSANVISNING	53
RU	ПРОРЕЗНАЯ ПИЛА, 600 ВТ	РУКОВОДСТВО ПО ЭКСПЛУАТАЦИИ	58
PL	WYRZYNARKA 600 W	INSTRUKCJA OBSŁUGI	64
CZ	600 W FIGŮRZÄGIS	NÁVOD K OBSLUZE	69
HU	600 W SIAURAPJÜKLIS	HASZNÁLATI ÚTMUTATÓ	74
RO	FERÄSTRÄU MECANIC 600 W	MANUAL DE UTILIZARE	79
LV	600 W FIGŪRZÄGIS	LIETOTÄJA ROKASGRÄMATA	84
LT	600 W SIAURAPJÜKLIS	NAUDOJIMO VADOVAS	89
EE	TIKKSAAG 600 W	KÄSUTÄJÄJUHEND	94
HR	UBODNA PILA OD 600 W	KORISNIČKI PRIRUČNIK	99
SI	600 W VBODNA ŽAGA	UPORABNIŠKI PRIROČNIK	104
SK	600W LUPIENKOVÄ PÄLKA	NÄVOD NA POUŽITIE	109
GR	600W ΣΕΡΓΑ	ΟΔΗΓΙΕΣ ΧΡΗΣΗΣ	114
TR	600W DEKUPAJ TESTERESİ	KULLANIM KILAVUZU	120

GB ORIGINAL INSTRUCTIONS | **FR** TRADUCTION DES INSTRUCTIONS ORIGINALES | **DE** ÜBERSETZUNG DER ORIGINALANLEITUNG | **ES** TRADUCCIÓN DE LAS INSTRUCCIONES ORIGINALES | **IT** TRADUZIONE DELLE ISTRUZIONI ORIGINALI | **NL** VERTALING VAN DE ORIGINELE INSTRUCTIES | **PT** TRADUÇÃO DAS INSTRUÇÕES ORIGINAIS | **DK** ÖVERSÆTTELSE AF DE ORIGINALE INSTRUKTIONER | **SE** ÖVERSÄTTNING AV DE URSPRUNGLIGA INSTRUKTIONERNA | **FI** ALKUPERÄISTEN OHJEIDEN SUOMENNOS | **NO** ÖVERSÆTTELSE AV DE ORIGINALE INSTRUKSJONENE | **RU** ПЕРЕВОД ОРИГИНАЛЬНЫХ ИНСТРУКЦИЙ | **PL** TŁUMACZENIE INSTRUKCJI ORYGINALNEJ | **CZ** PŘEKLAD ORIGINÁLNÍCH POKYNŮ | **HU** AZ EREDETI ÚTMUTATÓ FORDÍTÁSA | **RO** TRADUCEREA INSTRUCȚIUNILOR ORIGINALE | **LV** TULKOTS NO ORIGINĀLĀS INSTRUKCIJAS | **LT** ORIGINALIŲ INSTRUKCIJŲ VERTIMAS | **EE** ORIGINAALJUHEDI TÖLGE | **HR** PRIJEVOD ORIGINALNIH UPUTA | **SI** PREVOD ORIGINALNIH NAVODIL | **SK** PŘEKLAD POKYNOV V ORIGINÁLI | **GR** ΜΕΤΑΦΡΑΣΗ ΤΩΝ ΠΡΩΤΟΤΥΠΩΝ ΟΔΗΓΙΩΝ | **TR** ORJINAL TALIMATLARIN TERCÜMESİ



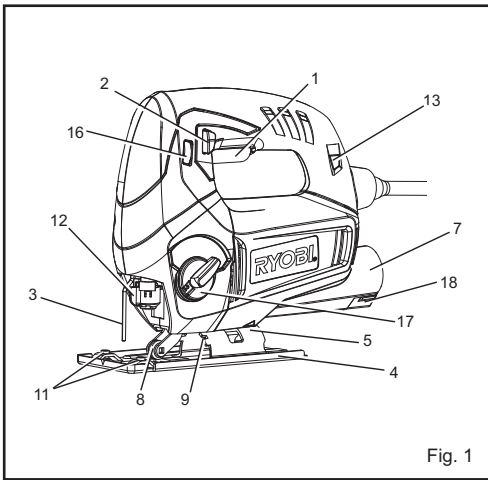


Fig. 1

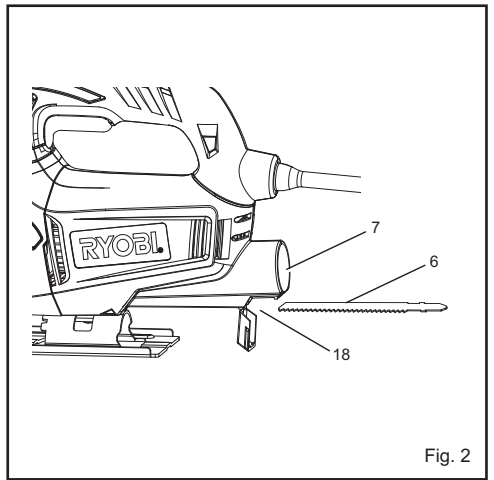


Fig. 2

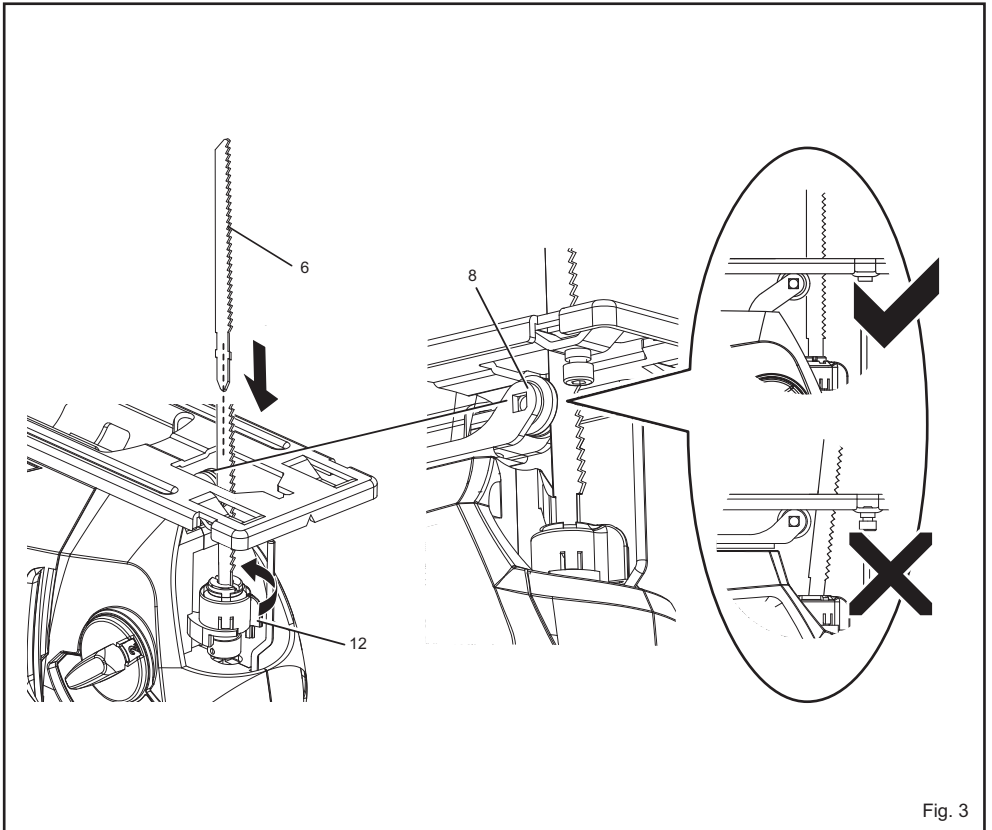
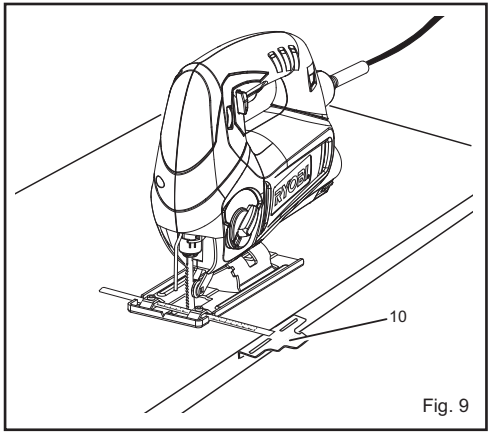
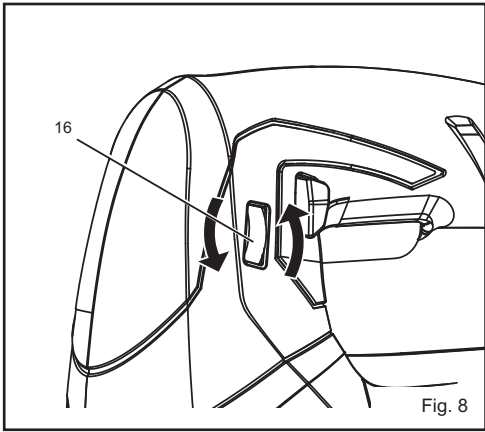
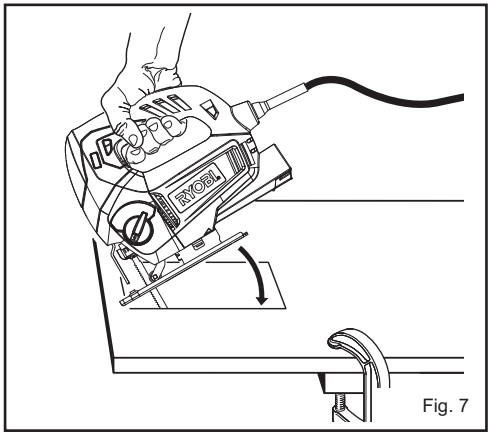
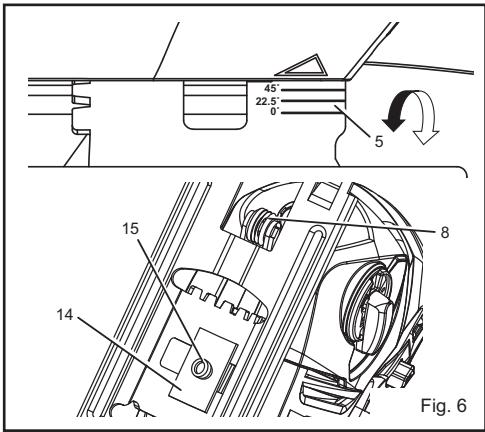
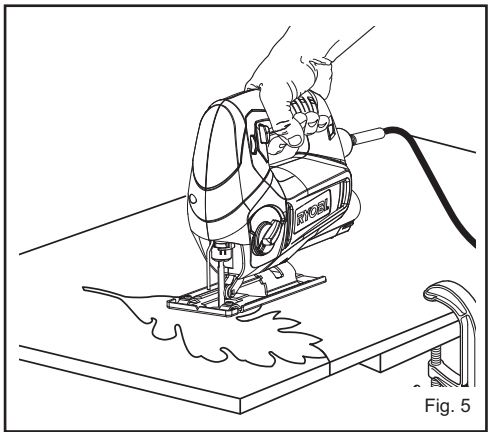
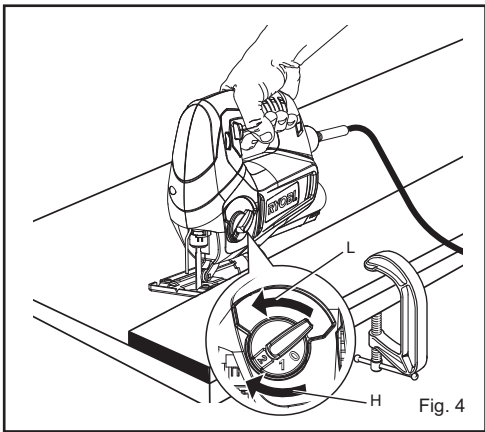


Fig. 3



Important!	It is essential that you read the instructions in this manual before operating this machine.
Attention!	Il est indispensable que vous lisez les instructions contenues dans ce manuel avant la mise en service de l'appareil.
Achtung!	Bitte lesen Sie unbedingt vor Inbetriebnahme die Hinweise dieser Bedienungsanleitung.
¡Atención!	Es imprescindible que lea las instrucciones de este manual antes de la puesta en servicio.
Attenzione!	Prima di procedere alla messa in funzione, è indispensabile leggere attentamente le istruzioni contenute nel manuale.
Let op!	Het is van essentieel belang dat u de instructies in deze gebruiksaanwijzing leest vooraleer u dit toestel in gebruik neemt.
Atenção!	É indispensável que leia as instruções deste manual antes de utilizar a máquina.
OBS!	Denne brugervejledning skal gennemlæses inden maskinen tages i brug.
Observera!	Det är nödvändigt att läsa instruktionerna i denna bruksanvisning innan användning.
Huomio!	On ehdottoman välttämätöntä lukea tässä käyttöohjeessa annetut ohjeet ennen käyttöönottoa.
Advarsel!	Det er meget vigtigt at du leser denne brukerveiledningen før du tar maskinen i bruk.
Внимание!	Перед сборкой и запуском инструмента необходимо ознакомиться с инструкцией по эксплуатации.
Uwaga!	Przed przystąpieniem do użytkowania tego urządzenia, należy koniecznie zapoznać się z zaleceniami zawartymi w niniejszym podręczniku.
Dôležité upozornění!	Nepoužívejte tento přístroj dříve, než si přečtete pokyny uvedené v tomto návodu.
Figyelem!	Feltétlenül fontos, hogy a jelen használati útmutatóban foglalt előírásokat az üzembe helyezés előtt elolvassa!
Atenție!	Este esențial să citiți instrucțiunile din acest manual înainte de operarea acestui aparat.
Uzmanību!	Svarīgi, lai jūs pirms mašīnas darbināšanas izlasītu instrukcijas šajā rokasgrāmatā.
Dėmesio!	Prieš pradėdami eksploatuoti šį prietaisą, svarbu, kad perskaitytumėte šiose instrukcijose pateiktus nurodymus.
Tähtis!	Enne trelli kasutama hakkamist tuleb käesolevas juhendis esitatud juhised kindlasti läbi lugeda.
Upozorenje!	Neophodno je da pročitate ove upute prije uporabe ovog uređaja.
Pomembno!	Pred uporabo tega stroja, obvezno preberite navodila iz tega priročnika.
Dôležité!	Pre prácou s týmto zariadením je dôležité, by ste si prečítali pokyny v tomto návode.
Προσοχή!	Είναι απαραίτητο να διαβάσετε τις συστάσεις των οδηγιών αυτών πριν και τη θέση σε λειτουργία.
Dikkat!	Cihazın çalıştırılmasından önce bu kılavuzda bulunan talimatları okumanız zorunludur.

Subject to technical modifications / Sous réserve de modifications techniques / Technische Änderungen vorbehalten /
 Sujeto a modificaciones técnicas / Con riserva di eventuali modifiche tecniche / Technische wijzigingen voorbehouden /
 Com reserva de modificações técnicas / Med forbehold for tekniske ændringer / Med förbehåll för tekniska ändringar /
 Tekniset muutokset varataan / Med forbehold om tekniske ændringer / Могут быть внесены технические изменения /
 Z zastrzeżeniem modyfikacji technicznych / Změny technických údajů vyhrazeny / A műszaki módosítás jogát fenntartjuk /
 Sub rezerva modifiцаjiilor tehnice / Paturam tiesības mainīt tehniskos raksturlielumus / Pasiliekan teisę daryti techninius pakeitimus /
 Tehnilised muudatused võimalikud / Podložno tehničkim promjenama / Tehnične spremembe dopuščene /
 Technické zmeny vyhradené / Υπό την επιφύλαξη τεχνικών τροποποιήσεων / Teknik değışiklik hakkı saklıdır

English

DESCRIPTION

1. Switch
2. Lock-on button
3. Safety guard
4. Base
5. Notch
6. Saw blade
7. Dust port
8. Roller guide
9. Slot
10. Edge guide
11. Edge guide lock screw
12. Quick release lever
13. Live tool indicator
14. Holder
15. Screw
16. Variable speed control selector
17. Orbital adjustment knob
18. Blade storage area

SPECIAL SAFETY RULES

- **If operation is dusty, also wear a dust mask.**
- **Wait for the cutter to stop before setting the tool down.** An exposed cutter may engage the surface leading to possible loss of control and serious injury.
- **Hold power tool by insulated gripping surfaces only, when performing an operation where the cutting accessory may contact hidden wiring or its own cord.** Cutting accessory contacting a "live" wire may make exposed metal parts of the power tool "live" and could shock the operator.
- **If the power supply cord damaged, it must be replaced only by the manufacturer or by an authorized service center to avoid risk.**

SPECIFICATIONS

Voltage	230 V ~ 50 Hz
Input power	600 W
Stroke per minute	800 - 3000 min ⁻¹
Stroke length	19 mm
Max cutting capacity	
Wood	70 mm
Steel	6 mm

FEATURES

KNOW YOUR SAW

Before attempting to use your saw, familiarize yourself with all operating features and safety requirements.

ELECTRICAL CONNECTION

Your saw has a precision built electric motor. It should be connected only to a power supply of the type specified by its rating plate. Do not operate this tool on direct current (DC). A substantial voltage drop will cause a loss of power and overheating. If your tool does not operate when plugged into an outlet, double-check the power supply.

WARNING

Do not allow familiarity with tools to make you careless. Remember that a careless fraction of a second is sufficient to inflict severe injury.

OPERATION

SWITCH

See Figure 1.

- To turn your saw on, depress the switch.
- Release switch trigger to turn your saw OFF.

LOCK-ON BUTTON

See Figure 1.

Your saw is equipped with a lock-on feature, which is convenient when continuous cutting for extended periods of time is required. To lock-on, depress the switch trigger, push in and hold the lock-on button located on the side of the handle, then release switch trigger. Release lock-on button and your saw will continue running.

To release the lock, depress the switch trigger and release. If you have the lock-on feature engaged during use and your saw becomes disconnected from power supply, disengage the lock-on feature immediately.

WARNING

Before connecting your saw to power supply source, always check to be sure it is not in lock-on position (depress and release switch trigger). Failure to do so could result in accidental starting of your saw resulting in possible serious injury. Also, do not lock the trigger on jobs where your saw may need to be stopped suddenly.

English

TO INSTALL BLADES

See Figure 3.

- Unplug the tool.

WARNING

Failure to unplug your saw could result in accidental starting causing possible serious injury.

- Turn the tool upside down.
- Rotate the quick release lever counter-clockwise and hold in position.
- Insert the saw blade into the groove in the roller guide, making sure the back of the saw blade is properly positioned in the groove.

NOTE: Only T-shank saw blades can be used.

- Push the saw blade into the blade clamp as far as it will go.
- Release the quick release lever.

WARNING

To avoid possible serious injury, always wear safety goggles or safety glasses with side shields. Keep hands and fingers away, from the motor housing and blade clamp and do not reach underneath work while blade is cutting.

WARNING

To avoid serious personal injury, do not use saw without safety guard properly in place.

VARIABLE SPEED

See Figure 8.

Your saw has a variable speed control selector designed to allow operator control and adjustment of speed and power limits. The speed and power of your saw can be increased or decreased by rotating the variable speed control selector in the direction of the arrows.

NOTE: Hold your saw in normal operating position and turn the variable speed control selector counterclockwise to increase speed and power. Turn clockwise to decrease speed and power.

If you wish to lock the switch on at a given speed, depress the switch trigger, push in and hold the lock-on button, and release the switch trigger. Next, adjust the variable speed control selector until the desired speed is reached.

Avoid running your saw at low speeds for extended periods of time. Running at low speeds under constant

usage may cause your saw to become overheated. If this occurs, cool your saw by running it without a load and at full speed.

The following guidelines may be used in determining correct speed for various applications.

- **LOW** speed is ideal when minimum speed and power is required, for example starting cuts.
- **MEDIUM** speed is suitable for cutting hard metals, plastics and laminates.
- **HIGH** speed produces best results when maximum power is required, for example cutting wood. Soft metals such as aluminum, brass and copper also require high speeds.

BLADE STORAGE

See Figure 2.

A convenient feature of your saw is the blade storage. The blade storage area is located on the back of dust port. It is convenient for storing extra blades when not in use.

- **To open:** Pull the door down with your thumb or finger.
- Place blades in blade storage area.
- **To close:** Push the door up with your thumb or finger.

WARNING

Do not insert saw blade into air vents since they could come in contact with electrically live internal parts and cause electric shock, resulting in serious injury.

WARNING

Your saw should never be connected to power supply when you are assembling parts, making adjustments, installing or removing blades or when not in use. Disconnecting the tool will prevent accidental starting that could cause serious injury.

GENERAL CUTTING

See Figure 4.

Rest the front of the saw base on the workpiece and align cutting edge of the blade with the line on your workpiece. Make sure the power cord is out of the way of saw blade and not in the line of cut. Start your saw and move it forward on the work surface. Apply downward pressure to keep the saw steady and only enough forward pressure to keep the blade cutting.

⚠ WARNING

Do not force your saw. Forcing your saw may overheat the motor and break saw blades.

ORBITAL MOTION

See Figure 4.

The blade of your saw cuts in orbital motion. This feature is adjustable and provides faster and more efficient cutting. With orbital motion the blade cuts through your work in the upstroke but does not drag across your work in the downstroke.

- Higher settings (H) should be used when fast cutting in soft material.
- Lower (L) settings should be used when cutting materials with more resistance.

STRAIGHT CUT

See Figure 4.

A straight cut can be made by clamping a piece of wood or straightedge to the workpiece and guiding the edge of your saw against it. Make the cut from one direction only, do not cut halfway to complete the cut from the opposite end.

SCROLL CUTTING

See Figure 5.

Scroll cuts can be made with your saw by guiding the direction of the cut with applied pressure on the handle.

⚠ WARNING

Excessive side pressure to the blade could result in broken blades or damage to the material being cut.

ANGLE CUTTING (BEVEL CUTTING)

See Figure 6.

Bevel cutting angles may be adjusted from 0° to 45° right or left. Angles for cuts from 0° to 45° in 22.5° increments are marked on a scale on both the left and right side of the base.

The use of a protractor is recommended when accurate cuts are required.

ADJUSTING THE ANGLE

See Figure 6.

- Loosen the base retaining screw with the wrench until the base can be moved.
- Slide base forward slightly to release the base from the tab on the motor housing.
- Align the mark on the base of the desired angle with

the edge of the motor housing.

- Once the desired angle is reached, slide the base back until the tab on the motor housing aligns with the appropriate notch on the rear of the base.
- Position the holder for the roller guide in such a manner that the guide roller faces against the back of the saw blade. Precise cuts are possible only when the guide roller faces tightly against the back of the saw blade.
- Re-tighten the base retaining screw with the wrench to secure the base.

TO MAKE A PLUNGE CUT

See Figure 7.

⚠ WARNING

To avoid loss of control, broken blades, or damage to the material being cut, always use extreme caution when making plunge cuts. We do not recommend plunge cutting on materials other than wood.

- Mark the line of cut clearly on the workpiece.
- Set the cutting angle at 0°.
- Tilt your saw forward so that it rests on the front edge of the base and blade will not come in contact with the workpiece when the saw is turned on.
- Make sure the blade is inside the area to be cut.
- Start your saw by using high speed and slowly lower the blade into the workpiece until the blade cuts through the wood.
- Continue lowering the blade into the workpiece until the base rests flat on the work surface, then move the saw forward to complete the cut.
- Use only the 7 teeth per inch blade for this type of cut.

METAL CUTTING

Many kinds of metals can be cut with your saw. Be careful not to twist or bend the blades. Do not force.

If the blade chatters or vibrates excessively, use a finetooth blade or higher speed. If blade heats excessively, use lower speed. If blade teeth become filled or clogged when cutting soft metals, such as aluminum, use a coarser-tooth blade or lower speed. We recommend the use of oil when cutting metals to keep blades cool, increase cutting action, and prolong blade life. Clamp the work firmly and cut close to the clamping point to eliminate any vibration of the workpiece being cut.

When cutting conduit, pipe or angle iron, clamp work in a vise if possible and saw close to the vise. To cut thin sheet materials, "sandwich" the material between hardboard or plywood and clamp the layers to eliminate vibration and

English

material tearing. By doing this, the material will be cut smoothly. Lay out your pattern or line of cut on top of the "sandwich".

⚠ IMPORTANT

When cutting metal, keep exposed portion of saw bar clean and free of metal chips by wiping frequently with an oily cloth. Use extreme caution in disposing of oily cloth after completion of job to prevent potential fire hazard.

EDGE GUIDE

See Figure 9.

An edge guide is available for use with your saw and can be used for making crosscuts and rip cuts.

TO INSTALL:

- Unplug your saw.

⚠ WARNING

Failure to unplug the tool could result in accidental starting causing possible serious injury.

- Insert arm of the edge guide through the two slots in the base of your saw.
- Adjust edge guide to the desired width and lock in place with the edge guide screw.

⚠ WARNING

When servicing, use only identical replacement parts. Use of any other parts may create a hazard or cause product damage.

TO CONNECT DUST EXTRACTION SYSTEM (NOT INCLUDED)

- Unplug the tool.

⚠ WARNING

Failure to unplug your saw could result in accidental starting causing possible serious injury.

- Connect the nozzle of the dust collection system to the dust port.

LIVE TOOL INDICATOR

This tool features a live tool indicator which illuminates as soon as the tool is connected to the supply. This warns the

user that the tool is connected and will operate when the switch is pressed.

MAINTENANCE

GENERAL

All other parts represent an important part of the class II insulation system and should be serviced only by a qualified service technician.

Avoid using solvents when cleaning plastic parts. Most plastics are susceptible to damage from various types of commercial solvents. Use clean cloths to remove dirt, dust, oil, grease, etc.

⚠ WARNING

Do not at any time let brake fluids, gasoline, petroleum-based products, penetrating oils, etc., come in contact with plastic parts. They contain chemicals that can damage, weaken or destroy plastic.

It has been found that electric tools are subject to accelerated wear and possible premature failure when they are used on fiberglass boats, sports cars, wallboard or plaster.

The chips and grindings from these materials are highly abrasive to electric tool parts such as bearings, brushes, commutators, etc.. Consequently, it is not recommended that this tool be used for extended work on any fiberglass material, wallboard or plaster. During any use on these materials it is extremely important that the tool is cleaned frequently by blowing with an air jet.

LUBRICATION

All of the bearings in this tool are lubricated with a sufficient amount of high grade lubricant for the life of the unit under normal operating conditions. Therefore, no further lubrication is required.

⚠ CAUTION

Keep extension cords away from the cutting area and position the cord so that it will not get caught on lumber, tools, etc., during cutting operation.

⚠ WARNING

Check extension cords before each use, if damaged replace immediately. Never use tool with a damaged cord as touching the damaged area could cause electrical shock resulting in serious injury.

Extension cords suitable for use with your saw are

available at your nearest service center.

⚠ WARNING

Always wear safety goggles or safety glasses with side shields during power tool operation or when blowing dust. If operation is dusty, also wear a dust mask.

ENVIRONMENTAL PROTECTION



Recycle raw materials instead of disposing of as waste. The machine, accessories and packaging should be sorted for environmental-friendly recycling.

SYMBOL



Safety Alert

V Volts

Hz Hertz

~ Alternating Current

W Watts

n_0 No-load speed

min^{-1} Revolutions or reciprocations per minute



Maximum cutting capacity in wood



CE Conformity



Double Insulation



Wear ear protection



Wear eye protection



Please read the instructions carefully before starting the machine.



Waste electrical products should not be disposed of with household waste. Please recycle where facilities exist. Check with your Local Authority or retailer for recycling advice.

Français

DESCRIPTION

1. Interrupteur
2. Bouton de verrouillage
3. Protège-lame
4. Semelle
5. Encoche
6. Lame de scie
7. Buse d'aspiration
8. Roulette de guidage
9. Fente
10. Guide de coupe parallèle
11. Vis de serrage du guide de coupe parallèle
12. Levier de fixation rapide de la lame
13. Témoin de mise sous tension
14. Support
15. Vis
16. Variateur de vitesse
17. Dispositif de réglage du mouvement pendulaire
18. Compartiment de rangement des lames

RÈGLES PARTICULIÈRES DE SÉCURITÉ

- Si l'opération génère des poussières, portez également un masque anti-poussières.
- Attendez que la lame se soit arrêtée avant de poser l'outil. Une lame nue pourrait s'accrocher au contact d'une surface et entraîner une perte de contrôle et de graves blessures.
- Ne tenez l'outil que par les parties isolées et antidérapantes lorsque vous travaillez sur une surface pouvant cacher des fils électriques ou lorsque le travail requis est susceptible de placer le cordon d'alimentation sur la trajectoire de l'outil. Un contact avec des fils sous tension pourrait transmettre le courant dans les parties en métal et provoquer un choc électrique.
- Si le câble d'alimentation est endommagé, il ne doit être remplacé que par le fabricant ou par un service après-vente agréé, pour éviter tout danger.

CARACTÉRISTIQUES

Tension	230 V ~ 50 Hz
Puissance	600 W
Oscillations par minute	800 - 3000 min ⁻¹
Longueur de la course	19 mm
Capacité de coupe max.	
Bois	70 mm
Acier	6 mm

FONCTIONNALITÉS

APPRENEZ À CONNAÎTRE VOTRE SCIE

Avant d'utiliser votre scie, familiarisez-vous avec toutes ses fonctionnalités et règles de sécurité.

RACCORDEMENT ÉLECTRIQUE

Votre scie est équipée d'un moteur électrique fabriqué avec précision. Elle ne doit être raccordée qu'à une source de courant correspondant au type indiqué sur la plaque signalétique. N'utilisez pas cet outil avec une alimentation en courant continu (DC). Une chute de tension substantielle provoquera une perte de puissance et une surchauffe. Si votre outil ne fonctionne pas une fois branché sur le secteur, vérifiez à nouveau l'alimentation électrique.

AVERTISSEMENT

Ne laissez pas l'habitude de l'utilisation des outils amoindrir votre vigilance. N'oubliez jamais qu'il suffit d'une seconde d'inattention pour vous blesser gravement

UTILISATION

INTERRUPTEUR

Voir figure 1.

- Pour mettre votre scie en marche, appuyez sur l'interrupteur.
- Relâchez la gâchette-interrupteur pour arrêter votre scie.

BOUTON DE VERROUILLAGE

Voir figure 1.

Votre scie est équipée d'un dispositif de verrouillage, utile lorsque vous devez effectuer des coupes continues pendant une grande période de temps. Pour verrouiller, enfoncez la gâchette-interrupteur, poussez et maintenez le bouton de verrouillage situé sur le côté de la poignée, puis relâchez la gâchette. Relâchez le bouton de verrouillage et votre scie continuera de fonctionner.

Pour désactiver le verrouillage, enfoncez la gâchette-interrupteur puis relâchez-la.

Si vous avez actionné le verrouillage de la gâchette en cours de fonctionnement et que votre scie vient à être déconnectée du secteur, déverrouillez immédiatement la gâchette.

Français

⚠ AVERTISSEMENT

Avant de brancher votre scie sur le secteur, vérifiez toujours qu'elle n'est pas en position verrouillée (enfoncez puis relâchez la gâchette-interrupteur). Le non respect de cette consigne peut entraîner une mise en marche accidentelle de votre scie et provoquer de graves blessures. De même, ne verrouillez pas la scie en position "marche" si vous effectuez des travaux nécessitant de nombreux arrêts de la scie.

MISE EN PLACE DES LAMES

Voir figure 3.

- Débranchez l'outil.

⚠ AVERTISSEMENT

Si la scie n'est pas débranchée, un démarrage involontaire peut se produire et provoquer des blessures corporelles graves.

- Retournez l'outil.
- Tournez le levier de déverrouillage rapide dans le sens inverse des aiguilles d'une montre et maintenez-le.
- Insérez la lame de scie dans le sillon de la roulette guide, en vous assurant que le dos de la lame de scie est bien en place dans le sillon.

NOTE: Seules les lames à attache en T peuvent être utilisées.

- Poussez la lame de scie dans le support de lame le plus loin possible.
- Relâchez le levier de démontage rapide.

⚠ AVERTISSEMENT

Pour éviter toute possibilité de blessure, portez toujours un masque de sécurité ou des lunettes de sécurité équipées de volets latéraux. Éloignez vos mains et vos doigts du carter moteur et du support de lame et ne tentez pas d'accéder sous le matériau coupé lorsque la lame est en action.

⚠ AVERTISSEMENT

Afin d'éviter de graves blessures, n'utilisez pas la scie sans que sa protection ne soit bien en place.

VITESSE VARIABLE

Voir figure 8.

Votre scie est équipée d'un variateur de vitesse conçu

pour permettre à l'opérateur de contrôler et de régler la vitesse et la limite de puissance. La vitesse et la puissance de votre scie peuvent être augmentées ou diminuées en tournant le variateur de vitesse dans la direction des flèches.

NOTE: Tenez la scie en position de fonctionnement normal et tournez le variateur de vitesse dans le sens inverse des aiguilles d'une montre pour augmenter la vitesse et la puissance de votre scie. Tournez dans le sens des aiguilles d'une montre pour diminuer la vitesse et la puissance.

Si vous souhaitez verrouiller l'interrupteur à une vitesse donnée, enfoncez la gâchette-interrupteur, poussez et maintenez le bouton de verrouillage, puis relâchez la gâchette. Ensuite, réglez le sélecteur de contrôle de la vitesse jusqu'à atteindre la vitesse désirée.

Évitez de faire fonctionner votre scie à basse vitesse pendant de longues périodes de temps. Un fonctionnement prolongé à basse vitesse peut entraîner une surchauffe de la scie. Dans ce cas, faites tourner votre scie à vide à la vitesse maximum pour la refroidir.

Les recommandations suivantes peuvent être utilisées pour déterminer la vitesse adaptée à diverses applications:

- Une vitesse **LOW** est idéale lorsqu'un minimum de vitesse et de puissance est requis, par exemple pour démarrer une coupe.
- Une vitesse **MEDIUM** convient à la coupe des métaux durs, des plastiques et des stratifiés.
- Une vitesse **HIGH** procure de meilleurs résultats lorsqu'un maximum de puissance est requis, par exemple pour la coupe du bois. Les métaux tendres tels que l'aluminium, le cuivre et le laiton requièrent également une vitesse élevée.

RANGEMENT POUR LAMES

Voir figure 2.

Une caractéristique pratique de votre scie est le logement de rangement pour lames. Ce compartiment est situé à l'arrière de la buse d'aspiration de la poussière. Il est pratique pour ranger des lames de rechange lorsqu'elles ne sont pas utilisées.

- **Pour ouvrir:** Tirez la trappe vers le bas à l'aide de votre pouce ou d'un autre doigt.
- Mettez les lames dans leur espace de rangement.
- **Pour refermer:** Poussez la trappe vers le haut à l'aide de votre pouce ou d'un autre doigt.

Français

⚠ AVERTISSEMENT

N'insérez pas la lame de la scie dans des ouïes de ventilation car elle pourrait entrer en contact avec des éléments internes sous tension et provoquer une décharge électrique, entraînant de graves blessures.

⚠ AVERTISSEMENT

Votre scie ne doit jamais être branchée sur le secteur lorsque vous montez des pièces, effectuez des réglages, mettez en place ou retirez des lames ou lorsque vous ne l'utilisez pas. Le fait de débrancher l'outil évitera toute mise en marche accidentelle susceptible de provoquer des blessures graves.

COUPE GÉNÉRALE

Voir figure 4.

Posez l'avant de la semelle de la scie sur le matériau et alignez le bord coupant de la lame avec le trait repère du matériau. Assurez-vous que le câble d'alimentation ne se trouve pas sur le chemin de la lame de scie ou du trait de coupe. Mettez votre scie en marche et faites-la avancer sur le matériau. Appliquez une pression vers le bas pour garder la scie stable, et uniquement la pression vers l'avant nécessaire à la coupe.

⚠ AVERTISSEMENT

Ne faites pas forcer votre scie. Faire forcer votre scie peut entraîner une surchauffe du moteur et un bris de la lame.

MOUVEMENT PENDULAIRE

Voir figure 4.

La lame de la scie coupe en effectuant un mouvement pendulaire. Cette fonction est réglable et permet une coupe plus rapide et plus efficace. Grâce au mouvement pendulaire, la lame coupe le matériau lorsqu'elle remonte et ne l'accroche pas lorsqu'elle redescend.

- Les réglages les plus élevés (H) doivent être utilisés pour les coupes rapides dans les matériaux tendres.
- Les réglages bas (L) doivent être utilisés lorsque vous coupez des matériaux plus résistants.

COUPE DROITE

Voir figure 4.

Une coupe droite peut être effectuée en fixant une pièce de bois ou une règle sur la pièce à couper contre laquelle vous pourrez guider la scie. Effectuez la coupe dans un seul sens, ne coupez pas à moitié pour terminer la coupe par le côté opposé.

COUPES COURBES

Voir figure 5.

Les coupes courbes peuvent être effectuées à l'aide de votre scie en guidant la direction de la coupe à l'aide d'une pression exercée sur la poignée.

⚠ AVERTISSEMENT

Une pression latérale excessive sur la lame peut entraîner un bris de la lame ou endommager le matériau en train d'être coupé.

COUPE D'ANGLE (COUPE EN BISEAU)

Voir figure 6.

L'angle de biseau peut être réglé de 0° à 45° vers la droite ou vers la gauche. Des repères d'angle allant de 0° à 45° par incréments de 22,5° se trouvent sur une échelle graduée à gauche et à droite de la semelle.

L'utilisation d'un rapporteur est recommandée lorsque vous devez effectuer des coupes précises.

RÉGLAGE DE L'ANGLE

Voir figure 6.

- Desserrez la vis de maintien de la semelle à l'aide de la clé jusqu'à ce que vous puissiez faire bouger la semelle.
- Faites légèrement glisser la semelle vers l'arrière afin de la libérer du taquet du carter du moteur.
- Alignez le repère à la base de l'angle désiré avec le bord du carter moteur.
- Une fois l'angle désiré atteint, faites glisser la semelle vers l'arrière jusqu'à ce que la languette du carter moteur soit alignée avec l'encoche adéquate à l'arrière de la semelle.
- Positionnez le support de la roulette guide de telle manière que la roulette soit en face du dos de la lame de scie. Des coupes précises ne sont possibles que lorsque la roulette guide est bien en contact avec le dos de la lame de scie.
- Resserrez la vis de maintien de la semelle à l'aide de la clé afin de bloquer la semelle.

POUR FAIRE UNE COUPE PLONGEANTE

Voir figure 7.

⚠ AVERTISSEMENT

Pour éviter toute perte de contrôle, bris de lame, ou endommagement du matériau à couper, soyez toujours extrêmement attentif lorsque vous effectuez des coupes plongeantes. Nous déconseillons les coupes plongeantes avec les matériaux autres que le bois.

Français

- Marquez la ligne de coupe de façon claire sur le matériau.
- Réglez l'angle de coupe à 0°.
- Inclinez votre scie vers l'avant afin qu'elle repose sur le bord avant de sa semelle et que la lame n'entre pas en contact avec le matériau lorsque vous mettez la scie en marche.
- Assurez-vous que la lame se trouve à l'intérieur de la surface à couper.
- Mettez votre scie en marche à haute vitesse puis enfoncez doucement la lame dans le matériau jusqu'à ce que la lame coupe toute l'épaisseur du bois.
- Continuez à abaisser la lame à travers la pièce à usiner jusqu'à ce que la semelle soit à plat contre cette dernière, puis déplacez la scie vers l'avant pour terminer la découpe intérieure.
- Utilisez exclusivement une lame n'ayant que 3 dents par centimètre (7 dents par pouce) pour effectuer ce genre de coupe.

COUPE DU MÉTAL

De nombreux types de métaux peuvent être coupés avec votre scie. Prenez garde de ne pas tordre ou vriller les lames. Ne forcez surtout pas la ponceuse.

Si la lame cliquette ou vibre de manière excessive, utilisez une lame à la denture plus fine ou une vitesse plus rapide. Si la lame chauffe de manière excessive, utilisez une vitesse plus lente. Si les dents de la lame bourrent ou se remplissent lorsque vous coupez des métaux tendres, tels que l'aluminium, utilisez une lame à la denture moins fine ou une vitesse plus lente. Nous recommandons d'utiliser de l'huile pour la coupe des métaux afin de refroidir les lames, d'augmenter les performances de coupe, et de prolonger la durée de vie des lames. Immobilisez fermement le travail et coupez près du point de serrage pour éliminer toute vibration du matériau en train d'être coupé.

Lorsque vous coupez des tuyaux, des tubes, ou des cornières métalliques, bloquez si possible votre travail dans un étau et coupez près de l'étau. Pour couper des tôles fines, serrez-les entre deux plaques de bois ou de contreplaqué, et sciez-les ensemble afin d'éviter que le matériau ne vibre ou ne se déchire. Cela permettra d'obtenir une coupe propre et nette du matériau. Appliquez votre gabarit ou tracez votre repère de coupe sur le dessus de ce "sandwich".

⚠ Important !

Lorsque vous coupez du métal, gardez la partie exposée de la semelle propre et libre de copeaux métalliques en l'essuyant fréquemment avec un chiffon huilé. Soyez extrêmement vigilant lorsque vous jetez un chiffon plein d'huile après avoir terminé un travail pour éviter tout risque d'incendie.

GUIDE DE COUPE PARALLÈLE

Voir figure 9.

Un guide latéral est disponible afin que vous puissiez utiliser votre scie pour effectuer des coupes transversales et longitudinales.

INSTALLATION:

- Débranchez votre scie.

⚠ AVERTISSEMENT

Si la ponceuse n'est pas débranchée, un démarrage involontaire peut se produire et provoquer des blessures corporelles graves.

- Insérez le bras du guide longitudinal dans les deux fentes de la semelle de votre scie.
- Ajustez le guide latéral à la largeur désirée puis verrouillez-le en place à l'aide de la vis du guide.

⚠ AVERTISSEMENT

N'effectuez les réparations qu'en utilisant des pièces détachées identiques. L'utilisation de toute autre pièce détachée représente un danger et peut endommager l'appareil.

POUR ADAPTER UN SYSTÈME D'ASPIRATION DES POUSSIÈRES (NON COMPRIS)

- Débranchez l'outil.

⚠ AVERTISSEMENT

Si la scie n'est pas débranchée, un démarrage involontaire peut se produire et provoquer des blessures corporelles graves.

- Raccordez l'embout du système de collecte des poussières à la sortie d'extraction des poussières.

TÉMOIN DE MISE SOUS TENSION

Cet outil est équipé d'un témoin d'alimentation qui s'allume lorsque l'outil est branché sur le secteur. Ce témoin attire votre attention sur le fait que la meuleuse est sous tension et qu'elle se mettra en marche dès que vous ferez coulisser l'interrupteur vers l'avant.

ENTRETIEN

CONSIGNES D'ORDRE GÉNÉRAL

Tous les autres éléments représentent une part importante de l'isolation de classe II et ne doivent être réparés que par un technicien qualifié.

Français

Évitez d'utiliser des solvants pour nettoyer les parties en plastique. La plupart des plastiques sont susceptibles d'être endommagés par différents types de solvants du commerce. Utilisez des chiffons propres pour retirer la saleté, les poussières, l'huile, la graisse, etc.

⚠ AVERTISSEMENT

Ne laissez jamais du liquide de frein, de l'essence, des produits pétroliers, des huiles pénétrantes, etc. entrer en contact avec les parties en plastique. Ces produits chimiques contiennent des substances qui peuvent endommager, fragiliser ou détruire le plastique.

Il a été remarqué que les outils électriques sont sujets à une usure accélérée et à des pannes prématurées lorsqu'ils utilisés sur de la fibre de verre, des voitures de sport, des plaques de plâtre ou du plâtre.

Les copeaux et limailles générés par ces matériaux sont hautement abrasifs pour les éléments de l'outil tels que les roulements, charbons, commutateurs, etc. Par conséquent, l'utilisation prolongée de cet outil sur de la fibre de verre, des panneaux de revêtement, de l'enduit de rebouchage ou du plâtre est fortement déconseillée. Au cours de toute utilisation sur ces matériaux, il est extrêmement important de nettoyer l'outil fréquemment à l'aide d'une soufflette.

LUBRIFICATION

Tous les roulements de cette machine sont suffisamment lubrifiés avec de l'huile de haute qualité pour toute la durée de vie de la machine sous des conditions d'utilisation normales. Par conséquent, aucune lubrification supplémentaire n'est nécessaire.

⚠ ATTENTION

Eloignez les rallonges de la zone de coupe et faites cheminer le câble d'alimentation de façon qu'il ne se fasse pas coincer par des planches, outils, etc., au cours de la coupe.

⚠ AVERTISSEMENT

Vérifiez les rallonges avant chaque utilisation, et remplacez-les immédiatement en cas de dommage. N'utilisez jamais un outil au un câble d'alimentation endommagé, car si vous veniez à entrer en contact avec la partie abîmée, vous pourriez subir une décharge électrique entraînant de graves blessures.

Des rallonges pouvant être utilisées avec votre scie sont disponibles auprès de votre service après-vente le plus proche.

⚠ AVERTISSEMENT

Portez toujours un masque oculaire ou des lunettes de protection à volets latéraux lorsque vous utilisez l'outil électrique ou lorsque vous soufflez de la poussière. Si l'opération génère des poussières, portez également un masque anti-poussières.

PROTECTION DE L'ENVIRONNEMENT



Recyclez les matières premières au lieu de les jeter aux ordures ménagères. Pour protéger l'environnement, l'outil, les accessoires et les emballages doivent être triés.

SYMBOLE



Alerte de Sécurité

V

Volts

Hz

Hertz

~

Courant alternatif

W

Watts

n_o

Vitesse à vide

min⁻¹

Nombre de tours ou de mouvements par minute



Capacité maximale de coupe dans le bois



Conformité CE



Double isolation



Portez une protection auditive



Portez une protection oculaire



Veillez lire attentivement le mode d'emploi avant de démarrer la machine.



Les produits électriques hors d'usage ne doivent pas être jetés avec les ordures ménagères. Recyclez-les par l'intermédiaire des structures disponibles. Contactez les autorités locales pour vous renseigner sur les conditions de recyclage.

Deutsch

BESCHREIBUNG

1. Ein-/Aus-Schalter
2. Verriegelungsknopf
3. Sägeblattschutz
4. Basisplatte
5. Aussparung
6. Sägeblatt
7. Absaugdüse
8. Führungsrolle
9. Öffnung
10. Parallele Schnittführung
11. Spannschraube der parallelen Schnittführung
12. Hebel zur Schnellbefestigung des Sägeblatts
13. Spannungs-LED
14. Halter
15. Schrauben
16. Drehzahlregler
17. Vorrichtung zur Einstellung der Hin- und Herbewegung
18. Sägeblattfach

BESONDERE SICHERHEITSVORSCHRIFTEN

- **Tragen Sie außerdem bei staubigen Arbeiten eine Atemschutzmaske.**
- **Warten Sie vor dem Absetzen bis die Handkreissäge angehalten hat.** Ein freiliegendes Sägeblatt kann in die Oberfläche greifen, was zu einem möglichen Kontrollverlust und schweren Verletzungen führen kann.
- **Halten Sie das Werkzeug nur an den isolierten und rutschsicheren Griffen fest, wenn Sie an einer Fläche arbeiten, die elektrische Leitungen verstecken könnte, oder wenn das Stromkabel auf den Arbeitsweg des Werkzeugs geraten könnte.** Der Kontakt mit unter Strom stehenden Leitungen kann Strom in die Metallteile leiten und einen Elektroschock auslösen.
- **Falls das Stromkabel beschädigt sein sollte, darf es, um jegliche Risiken zu vermeiden, ausschließlich durch den Hersteller oder ein autorisiertes Kundendienstzentrum ausgetauscht werden.**

TECHNISCHE DATEN

Elektrische Spannung	230 V ~ 50 Hz
Leistung	600 W
Stöße pro Minute	800 - 3000 min ⁻¹
Stoßlänge	19 mm
Max. Schnittleistung	
Holz	70 mm
Stahl	6 mm

PRODUKTMERKMALE

MACHEN SIE SICH MIT IHRER SÄGE VERTRAUT

Machen Sie sich vor dem Gebrauch der Säge mit allen Betriebsfunktionen und Sicherheitsanweisungen vertraut.

ELEKTRISCHE VERBINDUNG

Ihre Säge verfügt über einen präzise konstruierten Elektromotor. Das Gerät sollte nur an eine Stromquelle angeschlossen werden, die der auf dem Leistungsschild angegebenen entspricht. Betreiben Sie dieses Produkt nicht mit Gleichstrom (DC). Ein größerer Spannungsabfall verursacht Leistungsverlust und Überhitzung. Falls Ihr Werkzeug nicht funktioniert, nachdem Sie es an eine Steckdose angeschlossen haben, überprüfen Sie die Stromversorgung.

⚠ WARNUNG

Achten Sie darauf, dass Vertrautheit mit Werkzeugen Sie nicht nachlässig werden lässt! Denken Sie daran, dass eine sekundenlange Unkonzentriertheit genügen kann, um eine schwere Verletzung zu verursachen.

BETRIEB

EIN-/AUS-SCHALTER

Siehe Abbildung 1

- Drücken Sie zum Einschalten Ihrer Säge den Schalter.
- Lösen Sie den Auslöserschalter, um Ihre Säge AUSzuschalten.

VERRIEGELUNGSKNOPF

Siehe Abbildung 1

Ihre Säge verfügt über eine Verriegelungsfunktion, die ein komfortables Schneiden über einen längeren Zeitraum hinweg ermöglicht. Drücken Sie zum Verriegeln den Auslöserschalter, drücken Sie dann den Verriegelungsknopf an der Griffseite und halten Sie ihn gedrückt, lösen Sie den Auslöserschalter wieder. Lösen Sie den Verriegelungsknopf und ihre Säge läuft weiter.

Drücken Sie zum Lösen der Verriegelung den Auslöserschalter und lassen Sie ihn wieder los.

Falls Sie während der Benutzung die Verriegelungsfunktion aktiviert haben und Ihre Säge von der Stromversorgung getrennt werden sollte, lösen Sie sofort die Verriegelungsfunktion.

⚠ WARNUNG

Überprüfen Sie jedes Mal bevor Sie Ihre Säge an eine Stromquelle anschließen, dass diese sich nicht in der Arretierposition befindet (drücken und lösen des Auslöserschalters). Wird dies nicht getan, besteht die Gefahr eines unbeabsichtigten Startens Ihrer Säge, was möglicherweise zu einer schweren Verletzung führen kann. Sperren Sie Ihre Säge auch nicht in der Position "Ein", wenn Sie Arbeiten durchführen, bei denen die Säge oft angehalten werden muss.

ANBRINGEN DER KLINGEN

Siehe Abbildung 3

- Stecken Sie das Werkzeug aus.

⚠ WARNUNG

Wenn der Netzstecker der Säge nicht abgezogen wird, kann es zu einem unbeabsichtigten Einschalten des Geräts kommen und dies kann schwere Körperverletzungen herbeiführen.

- Drehen Sie das Werkzeug um.
- Drehen Sie den Schnellösehebel gegen den Uhrzeigersinn und halten Sie ihn an Ort und Stelle.
- Führen Sie das Sägeblatt in die Kerbe der Rollenführung; achten Sie darauf, das die Rückseite des Sägeblatts richtig in der Kerbe liegt.

BITTE BEACHTEN: Es können nur Sägeblätter mit T-Schaft verwendet werden.

- Drücken Sie das Sägeblatt so weit es geht in die Sägeblattklemme.
- Lösen Sie den Schnellösehebel.

⚠ WARNUNG

Tragen Sie zur Vermeidung evtl. schwerer Verletzungen immer eine Sicherheitsbrille mit Seitenschutz. Halten Sie während des Schneidens Finger und Hände vom Motorgehäuse und der Klingenklemme fern und greifen Sie nicht unter das Werkstück.

⚠ WARNUNG

Verwenden Sie zur Vermeidung schwerer Verletzungen die Säge nie solange die Sicherheitsschutvorrichtung nicht ordnungsgemäß geschlossen ist.

VARIABLE GESCHWINDIGKEIT

Siehe Abbildung 8

Ihre Säge verfügt über einen Wahlschalter zur variablen Geschwindigkeitskontrolle, der es dem Benutzer ermöglicht, die Geschwindigkeit und Leistung zu kontrollieren und einzustellen. Die Geschwindigkeit und Leistung Ihrer Säge kann durch Drehen des Wahlschalters für die variable Geschwindigkeitskontrolle in Pfeilrichtung erhöht oder verringert werden.

BITTE BEACHTEN: Halten Sie die Säge in normaler Betriebsposition und drehen Sie den Drehzahlregler gegen den Uhrzeigersinn, um die Drehzahl und die Leistung Ihrer Säge zu erhöhen. Im Uhrzeigersinn drehen, um Geschwindigkeit und Leistung zu verringern.

Falls Sie den Schalter bei einer bestimmten Geschwindigkeit feststellen möchten, drücken Sie zunächst den Auslöserschalter, drücken Sie dann den Verriegelungsknopf und halten Sie ihn gedrückt, lösen Sie dann den Auslöserschalter. Stellen Sie als nächstes den Wahlschalter für die variable Geschwindigkeitseinstellung auf die gewünschte Geschwindigkeit ein.

Vermeiden Sie es, die Säge über einen längeren Zeitraum hinweg mit niedriger Geschwindigkeit laufen zu lassen. Konstanter Gebrauch bei niedrigen Geschwindigkeiten kann dazu führen, dass die Säge überhitzt. Lassen Sie in diesem Fall die Säge bei maximaler Drehzahl im Leerlauf laufen, um sie abzukühlen.

Die folgenden Richtwerte dienen dazu, die richtige Geschwindigkeit für verschiedene Anwendungen zu ermitteln:

- Eine **LOW** Geschwindigkeit ist ideal, wenn eine niedrige Geschwindigkeit und Leistung erforderlich ist, z.B. bei Beginn von Schnitten.
- Eine **MEDIUM** Geschwindigkeit eignet sich zum Schneiden von harten Metallen, Plastik und Laminat.
- Eine **HIGH** Geschwindigkeit liefert die besten Ergebnisse, wenn eine hohe Leistung benötigt wird, z.B. beim Schneiden von Holz. Weiche Metalle, wie Aluminium, Messing und Kupfer, erfordern ebenfalls höhere Geschwindigkeiten.

KLINGENHALTERUNG

Siehe Abbildung 2

Ein komfortables Merkmal Ihrer Säge ist die Klingenthalerung. Dieses Fach befindet sich hinter der Staubabsaugdüse. Damit lassen sich zusätzliche Klängen bei Nichtgebrauch komfortabel aufbewahren.

- Öffnen:** Ziehen Sie die Tür mit Ihrem Daumen oder einem Finger nach unten.
- Setzen Sie die Klängen in die Klingenthalerung.

Deutsch

- **Zum Schließen:** Drücken Sie die Tür mit Ihrem Daumen oder einem Finger nach oben.

⚠️ WARNUNG

Führen Sie das Sägeblatt nicht in Lüftungsöffnungen, da es in Kontakt mit unter Strom stehenden internen Teilen geraten und zu einem Stromschlag und somit zu schweren Verletzungen führen könnte.

⚠️ WARNUNG

Ihre Säge sollte niemals an das Stromnetz angeschlossen sein, während Sie Teile montieren, Einstellungen vornehmen, Klängen anbringen oder entfernen, oder wenn sie nicht benutzt wird. Dadurch, dass das Werkzeug vom Stromkreis getrennt wird, wird ein unbeabsichtigtes Einschalten, das schwere Verletzungen verursachen könnte, verhindert.

ALLGEMEINES SCHNEIDEN

Siehe Abbildung 4

Setzen Sie die Vorderseite der Sägenbasis auf das Werkstück und richten Sie die Schneidkante der Klinge auf die Linie auf Ihrem Werkstück aus. Vergewissern Sie sich, dass sich das Stromkabel nicht im Schnittweg des Sägeblatts befindet. Starten Sie Ihre Säge und bewegen Sie sie auf der Arbeitsoberfläche vorwärts. Drücken Sie die Säge nach unten, um sie ruhig und gerade zu halten, und üben Sie gerade soviel Vorwärts-Druck aus, dass die Klinge weiterschneidet.

⚠️ WARNUNG

Betätigen Sie die Säge nicht mit Gewalt. Falls Sie Ihre Säge mit Gewalt führen, kann dies zu einer Überhitzung des Motors und einer Beschädigung des Sägeblatts führen.

UMLAUFBEWEGUNG

Siehe Abbildung 4

Das Sägeblatt führt beim Schneiden eine Schwingbewegung aus. Diese Funktion ist einstellbar und ermöglicht einen schnelleren und effizienteren Schnitt. Die Klinge schneidet bei der Umlaufbewegung das Werkstück in der Aufwärtsbewegung, aber zieht sich bei der Abwärtsbewegung nicht durch das Werkstück.

- Höhere Einstellungen (H) sollten beim schnellen Schneiden von weichem Material verwendet werden.
- Eine niedrigere (L) Einstellung sollte beim Schneiden von Materialien mit mehr Widerstand verwendet werden.

GERADER SCHNITT

Siehe Abbildung 4

Ein gerader Schnitt kann durch Festklemmen eines Holzstücks oder eines Richtscheits erfolgen; die Kante der Säge wird dabei daran entlang geführt. Führen Sie den Schnitt nur aus einer Richtung aus; schneiden Sie nicht nur zur Hälfte, um den Schnitt dann aus der entgegengesetzten Richtung zu beenden.

KONTURSNITTTE

Siehe Abbildung 5

Sie können mit Ihrer Säge Konturschnitte durchführen indem Sie sie entlang der Richtung des Schnitts mit Druck auf dem Griff nachfahren.

⚠️ WARNUNG

Übermäßiger seitlicher Druck auf die Klinge kann zu einer Beschädigung der Klinge oder am zu schneidenden Material führen.

WINKELSNITTTE (SCHRÄGSCHNITTE)

Siehe Abbildung 6

Winkelschnitte lassen sich von 0° bis 45° rechts oder links einstellen. Auf der Skala links und rechts der Auflage werden Winkel für Schnitte von 0° bis 45° in 22,5° Schritten angezeigt.

Die Verwendung eines Winkelmessers wird empfohlen, falls genaue Schnitte gewünscht werden.

EINSTELLEN DES WINKELS

Siehe Abbildung 6

- Lösen Sie mit dem Schraubenschlüssel die Schraube an der Unterseite, bis die Unterseite sich bewegen lässt.
- Schieben Sie die Basis ein wenig nach vorne, um die Basis von der Lasche am Motorgehäuse zu lösen.
- Richten Sie die Markierung an der Basis des gewünschten Winkels auf das Motorgehäuse aus.
- Sobald der gewünschte Winkel erreicht ist, schieben Sie die Basis zurück, bis die Lasche am Motorgehäuse auf die entsprechende Öffnung auf der Rückseite der Basis ausgerichtet ist.
- Positionieren Sie den Halter der Rollenführung so, dass die Rollenführung auf die Rückseite des Sägeblatts ausgerichtet ist. Präzise Schnitte sind nur möglich, wenn die Rollenführung fest gegen die Rückseite des Sägeblatts ausgerichtet ist.
- Ziehen Sie die Schraube an der Basis mit dem Schraubenschlüssel fest, um die Basis wieder zu sichern.

EINEN EINSTECHSCHNITT MACHEN

Siehe Abbildung 7

⚠ WARNUNG

Seien Sie bei der Durchführung von Einstechschnitten immer äußerst vorsichtig, so dass Kontrollverlust, zerbrochene Klingen bzw. eine Beschädigung des zu schneidenden Materials vermieden wird. Wir empfehlen, bei anderen Materialien als Holz keine Einstechschnitte vorzunehmen.

- Markieren Sie die Schnittlinie deutlich auf dem Werkstück.
- Stellen Sie den Schnittwinkel auf 0° ein.
- Neigen Sie Ihre Säge nach vorne, so dass sie auf der Vorderkante der Basis ruht und die Klinge nicht in Kontakt mit dem Werkstück gerät, wenn die Säge eingeschaltet wird.
- Vergewissern Sie sich, dass die Klinge sich innerhalb des zu schneidenden Bereichs befindet.
- Starten Sie Ihre Säge mit einer hohen Geschwindigkeit und führen Sie die Klinge langsam in das Werkstück, bis die Klinge durch das Holz schneidet.
- Senken Sie das Sägeblatt weiter durch das Werkstück hindurch ab, bis das Sägeblatt flach auf dem Werkstück aufliegt und verschieben Sie die Säge dann nach vorne, um den inneren Schnitt zu beenden.
- Verwenden Sie für diese Art von Schnitten nur Klingen mit 7 Zähnen pro Zoll.

METALLSCHNEIDEN

Mit Ihrer Säge können Sie viele Metalle schneiden. Achten Sie darauf, dass Sie die Klingen nicht verdrehen oder verbiegen. Drücken Sie auf keinen Fall zu stark auf die Schleifmaschine.

Falls das Sägeblatt übermäßig klappern oder vibrieren sollte, verwenden Sie ein Sägeblatt mit feineren Sägezähnen oder arbeiten Sie mit einer höheren Geschwindigkeit. Falls das Sägeblatt sich übermäßig erhitzen sollte, arbeiten Sie mit einer niedrigeren Geschwindigkeit. Falls die Sägezähne sich beim Schneiden von weichen Metallen, wie z.B. Aluminium, zusetzen oder verstopfen sollten, verwenden Sie ein Sägeblatt mit groberen Sägezähnen oder arbeiten Sie mit einer niedrigeren Geschwindigkeit. Wir empfehlen beim Schneiden von Metallen die Verwendung von Öl zur Kühlung der Klingen; so wird die Schneidwirkung erhöht und die Lebensdauer der Klinge verlängert. Klemmen Sie das Werkstück gut fest und schneiden Sie nah am Klemmpunkt entlang, um Vibrationen am zu schneidenden Werkstück zu vermeiden.

Klemmen Sie beim Schneiden von Leitungen, Rohren oder Kanteisen das Werkstück nach Möglichkeit in einen Schraubstock und sägen Sie nah am Schraubstock. Beim Sägen von Feinblech, fügen Sie das Blech zwischen zwei Holz- oder Sperrholzplatten ein und sägen mit diesen Platten, um zu vermeiden, dass das Material vibriert oder reißt. Dadurch wird ein sauberer und klarer Schnitt des Materials gewährleistet. Zeichnen Sie Ihr Muster bzw. die gewünschte Schnittlinie auf die Oberseite auf.

⚠ Wichtig!

Halten Sie den freiliegenden Teil der Sägeschiene beim Schneiden von Metal sauber und frei von Metallspänen, indem Sie sie regelmäßig mit einem öligen Tuch abwischen. Entsorgen Sie ölige Stoffstücke nach Abschluss der Arbeit äußerst vorsichtig, um eine mögliche Feuergefahr zu vermeiden.

PARALLELE SCHNITTFÜHRUNG

Siehe Abbildung 9

Für Ihre Säge gibt es eine Kantenführung, die für Längs- und Querschnitte verwendet werden kann.

ANBRINGEN:

- Stecken Sie die Säge aus.

⚠ WARNUNG

Wenn der Netzstecker der Schleifmaschine nicht abgezogen wird, kann es zu einem unbeabsichtigten Einschalten des Geräts kommen und dies kann schwere Körperverletzungen herbeiführen.

- Führen Sie den Arm der Kantenführung durch die zwei Öffnungen an der Unterseite der Säge.
- Stellen Sie die Kantenführung auf die gewünschte Breite ein und befestigen Sie sie mit der Kantenführungsschraube an Ort und Stelle.

⚠ WARNUNG

Verwenden Sie für die Wartung nur Originalersatzteile. Die Verwendung anderer Teile kann gefährlich sein oder eine Beschädigung des Produkts verursachen.

ANSCHLUSS DES STAUBEXTRAKTIONSSYSTEMS (NICHT IM LIEFERUMFANG ENTHALTEN)

- Stecken Sie das Werkzeug aus.

Deutsch

⚠️ WARNUNG

Wenn der Netzstecker der Säge nicht abgezogen wird, kann es zu einem unbeabsichtigten Einschalten des Geräts kommen und dies kann schwere Körperverletzungen herbeiführen.

- Verbinden Sie die Düse des Staubsammelsystems mit der Stauböffnung.

SPANNUNGS-LED

Ihr Werkzeug ist mit einer Spannungs-LED ausgestattet, die leuchtet, wenn das Gerät an das Stromnetz angeschlossen wird. Das warnt den Benutzer, dass das Werkzeug angeschlossen ist und in Betrieb gesetzt wird, wenn der Schalter betätigt wird.

WARTUNG UND PFLEGE

ALLGEMEINE ANWEISUNGEN

Alle anderen Teile sind ein wichtiger Bestandteil des Klasse II Isoliersystems und sollten ausschließlich durch einen qualifizierten Servicetechniker gewartet werden.

Vermeiden Sie beim Reinigen der Plastikteile den Einsatz von Lösungsmitteln.

Die meisten Kunststoffe sind anfällig gegen die verschiedenen Arten von kommerziellen Lösungsmitteln. Verwenden Sie saubere Tücher um Verunreinigungen wie Staub, Öl, Schmierstoffe usw. zu entfernen.

⚠️ WARNUNG

Lassen Sie niemals Bremsflüssigkeiten, Benzin, Produkte auf Erdölbasis, Penetrationsöle usw. mit den Plastikteilen in Kontakt geraten. Diese chemischen Produkte enthalten Substanzen, die den Kunststoff beschädigen, schwächen oder zerstören können.

Es wurde festgestellt, dass Elektrowerkzeuge schneller abnutzen und vorzeitig Störungen aufweisen, wenn sie an Fiberglasbooten, Sportautos, Wandbauplatten oder Putz verwendet werden.

Die Späne und Splitter dieser Materialien haben eine stark schleifende Wirkung auf die Bestandteile eines Elektrowerkzeugs, wie Getriebe, Bürsten, Stromwender usw. Von einer längeren Verwendung dieses Geräts an Glasfaser, Verkleidungsplatten, Spachtelmasse oder Gips wird daher dringend abgeraten. Bei jeder Verwendung mit diesen Materialien ist es äußerst wichtig, dass das Werkzeug regelmäßig durch Blasen eines Luftstrahls gereinigt wird.

ÖLEN

Alle Lager Elemente in diesem Werkzeug sind mit genug qualitativ hochwertigem Schmiermittel für die gesamte Lebensdauer unter normalen Betriebsbedingungen geölt. Es ist daher keine zusätzliche Schmierung erforderlich.

⚠️ ACHTUNG

Halten Sie Verlängerungskabel vom Schnittbereich fern und legen Sie das Kabel so, dass es sich während des Schneidens nicht an Schnittholz, Werkzeugen usw. verfangen kann.

⚠️ WARNUNG

Überprüfen Sie Verlängerungskabel vor jedem Gebrauch; tauschen Sie sie sofort aus, falls sie Beschädigungen aufweisen sollten. Verwenden Sie niemals ein Werkzeug mit beschädigtem Kabel, da ein Berühren des beschädigten Bereichs zu Stromschlag und schweren Verletzungen führen kann!

Verlängerungskabel, die für eine Verwendung mit Ihrer Säge geeignet sind, erhalten Sie bei Ihrem Kundendienstcenter.

⚠️ WARNUNG

Tragen Sie beim Arbeiten mit motorbetriebenen Werkzeugen oder beim Wegblasen von Staub immer eine Schutzbrille mit Seitenschutz. Tragen Sie außerdem bei staubigen Arbeiten eine Atemschutzmaske.

UMWELTSCHUTZ



Recyceln Sie die Rohstoffe anstatt sie in die Haushaltsabfälle zu geben. Zum Schutz der Umwelt müssen das Gerät, die Zubehörteile und die Verpackungen getrennt entsorgt werden.

SYMBOL



Sicherheitswarnung

V	Volt
Hz	Hertz
~	Wechselstrom
W	Watt
n_0	Leerlaufdrehzahl

min⁻¹ Feuer- und Explosionsgefahr!



Max. Schnittleistung in Holz



CE-Konformität



Doppelisolierung



Gehörschutz tragen



Augenschutz tragen



Bitte lesen Sie die Anweisungen sorgfältig, bevor Sie das Gerät einschalten.



Elektrische Geräte sollten nicht mit dem übrigen Müll entsorgt werden. Bitte entsorgen Sie diese an den entsprechenden Entsorgungsstellen. Wenden Sie sich an die örtliche Behörde oder Ihren Händler, um Auskunft über die Entsorgung zu erhalten.

Español

DESCRIPCIÓN

1. Interruptor
2. Botón de bloqueo
3. Protector de hoja
4. Base
5. Ranura
6. Cuchilla de la sierra
7. Boquilla de aspiración
8. Rueda de guía
9. Ranura
10. Guía de corte paralelo
11. Tornillo de apriete de la guía de corte paralelo
12. Palanca de sujeción rápida de la hoja
13. Indicador de puesta en tensión
14. Soporte
15. Tornillo
16. Variador de velocidad
17. Dispositivo de ajuste del movimiento pendular
18. Compartimiento para guardar las hojas

REGLAS ESPECIALES DE SEGURIDAD

- Si la superficie de trabajo es polvorienta, use también una careta específica.
- Espere a que la cuchilla se pare antes de posar la herramienta. Una cuchilla expuesta puede engancharse con la superficie pudiendo perder el control de la herramienta y provocando graves lesiones.
- Sujete la máquina por sus partes aisladas y antideslizantes cuando trabaje en una superficie debajo de la cual puedan pasar cables eléctricos o cuando el trabajo que desee realizar puede hacer que el cable de alimentación esté en la trayectoria de la máquina. Si la máquina se pusiera en contacto con cables eléctricos en tensión, la corriente pasaría por sus partes metálicas y usted podría recibir una descarga eléctrica.
- Si el cable de alimentación está dañado, debería ser reemplazado únicamente por el fabricante o por un centro de servicio autorizado para evitar riesgos.

ESPECIFICACIONES

Tensión	230 V ~ 50 Hz
Potencia	600 W
Golpe por minuto	800 - 3000 min ⁻¹
Largo del golpe	19 mm
Capacidad máxima de corte	
Madera	70 mm
Acero	6 mm

CARACTERÍSTICAS**CONOZCA SU SIERRA**

Antes de intentar utilizar su sierra, familiarícese con todas las características de funcionamiento y requisitos de seguridad.

CONEXIÓN ELÉCTRICA

La sierra tiene un motor eléctrico de precisión incorporado. Sólo debería conectarse a un suministro de energía del tipo especificado en su placa de clasificación. No utilice esta herramienta con corriente continua (DC). Una caída considerable de voltaje causa una pérdida de potencia y sobrecalentamiento. Si la herramienta no funciona al estar conectada a una toma de corriente, vuelva a comprobar el suministro de energía.

⚠ ADVERTENCIA

No permita que la familiaridad con las herramientas le haga ser descuidado. No olvide nunca que basta con un segundo de inatención para herirse gravemente.

FUNCIONAMIENTO**INTERRUPTOR**

Ver figura 1.

- Para encender la sierra, pulse el interruptor.
- Suelte el interruptor de encendido para apagar la sierra.

BOTÓN DE BLOQUEO

Ver figura 1.

La sierra está equipada con una función de bloqueo, que es útil cuando es necesario cortar de forma continua para periodos prolongados. Para bloquear, apriete el gatillo de encendido, mantenga pulsado el botón de bloqueo, situado en el lateral del mando, luego suelte el gatillo de encendido. Suelte el botón de bloqueo y la sierra continuará funcionando.

Para liberar el bloqueo, apriete el interruptor de encendido y suéltelo.

Si tiene conectado el accesorio de bloqueo durante el uso y la sierra se desconecta del suministro de energía, desconecte el accesorio de bloqueo inmediatamente.

⚠ ADVERTENCIA

Antes de conectar la sierra a la fuente de alimentación, compruebe siempre que no está en posición de bloqueo (presión y suelte gatillo). De lo contrario, podría dar lugar a un arranque accidental de la sierra, que resulta en lesiones graves. Del mismo modo, si debe trabajar poniendo en marcha y deteniendo la máquina muy a menudo, no la bloquee en posición "marcha".

INSTALAR LAS CUCHILLAS

Ver figura 3.

- Desenchufe la herramienta.

⚠ ADVERTENCIA

Si la sierra no está desenchufada, podría ponerse en marcha inadvertidamente y provocar heridas corporales graves.

- Gire la herramienta boca abajo.
- Gire la palanca de liberación rápida en el sentido de las agujas del reloj y manténgala en esta posición.
- Inserte la hoja de la sierra en la ranura de la guía de rodillo, asegurándose de que la parte posterior de la hoja de la sierra está correctamente situada en la ranura.

NOTA: Sólo se pueden utilizar cuchillas de sierra T-shank.

- Empuje la cuchilla de la sierra hacia la abrazadera de la cuchilla hasta el máximo.
- Suelte la palanca de liberación rápida.

⚠ ADVERTENCIA

Para evitar lesiones graves, utilice gafas protectoras o gafas con protecciones laterales. Mantenga las manos y los dedos alejados de la carcasa del motor y de la abrazadera de la hoja, y no se sitúe debajo del trabajo mientras está realizando el corte.

⚠ ADVERTENCIA

Para evitar lesiones personales graves, no utilice la sierra sin la protección de seguridad debidamente instalada.

VELOCIDAD VARIABLE

Ver figura 8.

La sierra tiene un selector de control de velocidad variable

diseñado para permitir al operador controlar y ajustar los límites de velocidad y potencia. La velocidad y la potencia de la sierra se puede aumentar o reducir rotando el selector de control de velocidad variable en la dirección de las flechas.

NOTA: Sujete la sierra en posición de funcionamiento normal y gire el variador de velocidad en el sentido contrario a las agujas del reloj para aumentar la velocidad y la potencia de la sierra. Gire en el sentido de las agujas del reloj para reducir la velocidad y la potencia.

Si desea bloquear el interruptor a una velocidad determinada, pulse el gatillo, mantenga pulsado el botón de bloqueo y suelte el gatillo. A continuación, ajuste el selector de control de velocidad variable hasta alcanzar la velocidad variable.

Evite que la sierra funcione a baja velocidad durante largos períodos de tiempo. Trabajar a bajas velocidades durante un uso constante puede sobrecalentar la sierra. Si así ocurriera, haga marchar la sierra sin carga y a máxima velocidad para enfriarlo.

Se pueden seguir las siguientes directrices para determinar la velocidad correcta según el tipo de aplicación:

- La velocidad baja (**LOW**) es ideal cuando se necesita una velocidad y potencia mínimas, por ejemplo, al empezar los cortes.
- La velocidad **MEDIUM** es adecuada para el corte de laminados, plásticos y metales duros.
- La velocidad **HIGH** (alta) produce mejores resultados cuando se necesita máxima potencia, por ejemplo, al cortar madera. Los metales blandos como el aluminio, el latón o el cobre también requieren velocidades altas.

ALMACENAMIENTO DE LA CUCHILLA

Ver figura 2.

Una característica práctica de su sierra es el almacenamiento de la hoja. Este compartimento está situado detrás de la boquilla de aspiración del polvo. Es recomendable almacenar las hojas extra cuando no se utilizan.

- **Abrir:** Empuje hacia abajo la puerta con su pulgar u otro dedo.
- Coloque las cuchillas en el área de almacenamiento de cuchillas.
- **Cerrar:** Tire hacia arriba de la puerta con su pulgar u otro dedo.

Español

ADVERTENCIA

No inserte la hoja de sierra en las rejillas, ya que pueden entrar en contacto con partes internas con electricidad y causar una descarga eléctrica, lo que resulta en lesiones graves.

ADVERTENCIA

No se debería conectar la sierra a la corriente cuando esté montando piezas, haciendo ajustes o instalando o retirando hojas o cuando no esté en uso. Desconectar la herramienta evitará el arranque accidental que podría causar lesiones graves.

CORTE GENERAL

Ver figura 4.

Apoye el frente de la base de la sierra en la pieza de trabajo y alinee el borde de corte de la cuchilla con la línea en la pieza de trabajo. Asegúrese de que el cable de alimentación está alejado de la hoja de la sierra y de la línea de corte. Encienda la sierra y muévala hacia adelante en la superficie de trabajo. Aplique presión hacia abajo para mantener la sierra preparada y suficiente presión hacia delante para que la cuchilla siga cortando.

ADVERTENCIA

No fuerce la sierra. Forzar la sierra puede sobrecalentar el motor y hacer que se rompan las hojas de sierra.

MOVIMIENTO ORBITAL

Ver figura 4.

La hoja de la sierra efectúa un movimiento pendular para cortar la pieza. Esta función se puede ajustar para hacer cortes con mayor rapidez y eficacia. Con el movimiento orbital, la cuchilla corta la pieza de trabajo en recorrido ascendente pero no se desliza por la pieza en recorrido descendente.

- Debería utilizarse configuraciones más altas (H) cuando se realizan cortes rápidos en material blando.
- Las configuraciones inferiores (L) deberían utilizarse al cortar materiales con mayor resistencia.

CORTE RECTO

Ver figura 4.

Se puede hacer un corte recto uniendo un pedazo de madera o regla a la pieza de trabajo y guiando el borde de la sierra en su contra. Realice el corte desde una sola dirección, no corte hasta la mitad para completar el corte

desde el extremo opuesto.

CORTE DE CONTORNEO

Ver figura 5.

Se pueden hacer cortes de contorno con la sierra guiando la dirección del corte con presión aplicada sobre el mando.

ADVERTENCIA

Una presión lateral excesiva a la hoja podría provocar la rotura de las hojas o daños en el material a cortar.

ÁNGULO DE CORTE (BISEL)

Ver figura 6.

Los ángulos de bisel de corte pueden ajustarse de 0° a 45° derecha o izquierda. Los ángulos de los cortes de 0° a 45° en incrementos de 22,5° están marcados en una escala tanto en el lado izquierdo como en el lado derecho de la base.

Se recomienda el uso de un transportador cuando se necesite cortes precisos.

AJUSTE DEL ÁNGULO

Ver figura 6.

- Afloje el tornillo de sujeción de la base con la llave hasta que la base se pueda mover.
- Desplace la pase ligeramente hacia adelante para liberar la base de la pestaña en la carcasa del motor.
- Alinear la marca en la base del ángulo deseado con el borde de la carcasa del motor.
- Una vez que se alcanza el ángulo deseado, deslice la base hacia atrás hasta que la pestaña en la carcasa del motor se alinee con la muesca apropiada en la parte trasera de la base.
- Sitúe el soporte para la guía del rodillo de tal forma que la guía del rodillo quede de por la parte de atrás de la cuchilla de la sierra. Es posible realizar cortes precisos cuando la guía del rodillo se sitúa con fuerza en la parte de atrás de la cuchilla de la sierra.
- Vuelva a apretar el tornillo que sujeta la base con la llave inglesa para asegurar la base.

PARA HACER UN CORTE DE EFECTO TRONZADORA

Ver figura 7.

⚠ ADVERTENCIA

Para evitar perder el control, romper las cuchillas, o dañar el material que se va a cortar, tenga siempre la máxima precaución cuando haga cortes con efecto tronzadora. No se recomienda el corte de efecto tronzadora en otro material que no sea madera.

- Marque claramente la línea de corte en la pieza de trabajo.
- Establezca el ángulo de corte en 0°.
- Inclíne la sierra hacia adelante para que descanse sobre el borde frontal de la base y la cuchilla no entre en contacto con la pieza de trabajo cuando se encienda la sierra.
- Asegúrese de que la hoja está dentro del área que va a cortar.
- Encienda la sierra utilizando una velocidad alta y baje despacio la cuchillas hacia la pieza de trabajo hasta que la cuchilla corte la madera.
- Siga bajando la hoja hacia la pieza trabajada hasta que la base esté de plano contra la pieza, y desplace la sierra hacia adelante para acabar el corte interior.
- Utilice sólo cuchillas de 7 dientes por pulgada para este tipo de corte.

CORTAR METAL

Puede cortar muchos tipos de metales con su sierra. Tenga cuidado de no retorcer o doblar las hojas. Tenga cuidado de no forzar la lijadora.

Si la hoja hace demasiado ruido o vibra en exceso, utilice una hoja de dientes más finos o una velocidad superior. Si la hoja se calienta en exceso, utilice una velocidad menor. Si los dientes de la hoja se llenan o se atascan al cortar metales blandos, como el aluminio, utilice una hoja de dientes más gruesos o una velocidad inferior. Se recomienda el uso de aceite para cortar metales ya que mantiene fría la cuchilla, aumenta la acción de corte y prolonga la vida de la cuchilla. Sujete firmemente la pieza de trabajo y corte cerca del punto de sujeción para eliminar las vibraciones de la pieza a cortar.

Al cortar conductos, tuberías o hierro angular, fije la pieza de trabajo en un torno de banco si es posible y siere cerca del torno. Para cortar chapas finas, sujételas entre dos tablas de madera o de contrachapado y corte todo al mismo tiempo para evitar vibraciones o desgarros del material. Con este método se puede lograr un corte más limpio y neto. Diseñe su patrón o línea de corte en la parte superior del "sandwich".

⚠ ¡Importante!

Al cortar metal, mantenga la parte expuesta de la sierra limpia y libre de restos metálicos limpiándola con frecuencia con un paño aceitoso. Extremar la precaución al desechar el paño aceitoso tras finalizar el trabajo para evitar un posible riesgo de incendio.

GUÍA DE CORTE PARALELO

Ver figura 9.

Dispone de una guía de borde para su uso con la sierra y se puede utilizar para hacer cortes transversales y cortes al hilo.

INSTALAR:

- Desenchufe la sierra.

⚠ ADVERTENCIA

Si la lijadora no está desenchufada, podría ponerse en marcha inadvertidamente y provocar heridas corporales graves.

- Inserte el brazo de la guía de borde en las dos ranuras que hay en la base de la sierra.
- Ajuste la guía de borde a la anchura deseada y fijela con el tornillo de guía de borde.

⚠ ADVERTENCIA

Utilice solo piezas de recambio idénticas cuando esté realizando labores de mantenimiento de la máquina. El uso de otras piezas puede ocasionar riesgos o daños en el producto.

CONECTAR EL SISTEMA DE EXTRACCIÓN DE POLVO (NO INCLUIDO)

- Desenchufe la herramienta.

⚠ ADVERTENCIA

Si la sierra no está desenchufada, podría ponerse en marcha inadvertidamente y provocar heridas corporales graves.

- Conecte la boquilla del sistema de recolección de polvo al puerto de polvo.

Español

INDICADOR DE PUESTA EN TENSIÓN

La sierra cuenta con un indicador de puesta en tensión que se enciende cuando la herramienta esta enchufada. Este indicador sirve para llamar su atención sobre el hecho de que la amoladora está en tensión y se pondrá en marcha cuando deslice el interruptor hacia adelante.

MANTENIMIENTO**INSTRUCCIONES GENERALES**

Todas las demás piezas representan una parte importante del sistema de aislamiento de clase II y sólo deben ser reparadas por un técnico de servicio calificado.

Evite el uso de disolventes para limpiar las piezas de plástico. La mayoría de los plásticos son susceptibles de dañarse con varios tipos de disolventes comerciales. Use un paño limpio para limpiar la suciedad, polvo, aceite, grasa, etc. de la herramienta.

⚠ ADVERTENCIA

No permita en ningún momento que las piezas de plástico entren en contacto con líquido de frenos, gasolina, productos derivados del petróleo, aceites penetrantes, etc. Estas sustancias químicas contienen componentes que pueden deteriorar, debilitar o destruir el plástico.

Se ha comprobado que las herramientas eléctricas sufren un desgaste acelerado y posibles fallos prematuros cuando se utilizan en botes de fibra de vidrio, coches deportivos, paneles de yeso o escayola.

Las partículas y el polvo de estos materiales son muy abrasivos para las piezas de la herramienta eléctrica como cojinetes, cepillos, conmutadores, etc. Por lo tanto, se desaconseja totalmente usar de forma prolongada esta herramienta para trabajar con fibra de vidrio, paneles de revestimiento, enlucidos o yeso. Al ser utilizada en estos materiales es muy importante que la herramienta se limpie con frecuencia por soplado con un chorro de aire.

LUBRICACIÓN

Todos los rodamientos de esta herramienta están lubricados con cantidad suficiente de lubricante de grado alto para toda la vida de la unidad en condiciones de funcionamiento normales. Por lo tanto, no es menester prever ninguna lubricación adicional.

⚠ PRECAUCIÓN

Mantenga los cables de prolongación alejados del área de corte y coloque el cable de forma que no quede atrapado en la madera, las herramientas, etc., durante la operación de corte.

⚠ ADVERTENCIA

Revise los cordones de extensión antes de cada uso, si está dañado reemplácelo inmediatamente. No utilice nunca la herramienta con un cable dañado ya que tocar el área dañada podría causar una descarga eléctrica con resultado de lesiones graves.

Los cables de extensión adecuados para su uso con la sierra están disponibles en su centro de servicio más cercano.

⚠ ADVERTENCIA

Siempre use gafas de seguridad o gafas de seguridad con protección lateral durante el funcionamiento de la herramienta eléctrica o cuando ésta desprenda polvo. Si la superficie de trabajo es polvorienta, use también una careta específica.

PROTECCIÓN DEL MEDIO AMBIENTE

Recicle las materias primas en lugar de tirarlas a la basura doméstica. Para proteger el medio ambiente, debe separar la herramienta, los accesorios y los embalajes.

SÍMBOLO

Alerta de seguridad

V

Voltios

Hz

Hertzios

~

Corriente alterna

W

Vatios

n₀

Velocidad sin carga

min⁻¹


Número de revoluciones o movimientos por minuto





Capacidad máxima de corte de madera


Español


 Conformidad con CE

 Doble aislamiento

 Utilice dispositivos de protección para los oídos

 Utilice gafas de seguridad

 Por favor lea las instrucciones detenidamente antes de arrancar la máquina.

 Los productos eléctricos de desperdicio no deben desecharse con desperdicios caseros. Por favor reciclelos donde existan dichas instalaciones. Compruebe con su autoridad local o minorista para reciclar.

Italiano

DESCRIZIONE

1. Interruttore
2. Tasto di blocco
3. Paralama
4. Base
5. Tacca
6. Lama sega
7. Ugello di aspirazione
8. Rotellina di guida
9. Foro
10. Guida di taglio parallela
11. Vite di serraggio della guida di taglio parallela
12. Leva di fissaggio rapido della lama
13. Spia luminosa di presenza tensione
14. Supporto
15. Viti
16. Variatore di velocità
17. Dispositivo di regolazione del movimento pendolare
18. Vano di riponimento delle lame

NORME SPECIALI DI SICUREZZA

- **Nel caso in cui si preveda che le operazioni di lavoro causeranno polvere, indossare sempre una maschera anti-polvere.**
- **Attendere che la lama si sia fermata prima di poggiare l'utensile.** Una lama esposta potrà rimanere impigliata in una superficie e causare perdita di controllo e gravi lesioni.
- **Quando si lavora su una superficie che potrebbe nascondere fili elettrici o se il lavoro da eseguire può portare il cavo d'alimentazione a trovarsi sulla traiettoria dell'apparecchio, afferrare quest'ultimo tenendolo soltanto per le parti isolate ed antiscivolo.** Il contatto con fili sotto tensione potrebbe trasmettere corrente alle parti in metallo e provocare scosse elettriche.
- **Se il cavo di alimentazione è danneggiato deve essere sostituito solo dalla ditta produttrice o dal centro servizi autorizzato per evitare eventuali rischi.**

SPECIFICHE

Voltaggio	230 V ~ 50 Hz
Potenza	600 W
Giri al minuto	800 - 3000 min ⁻¹
Lunghezza utile della corsa	19 mm
Capacità di taglio max.	
Legno	70 mm
Acciaio	6 mm

CARATTERISTICHE

FAMILIARIZZARE CON LA MOTOSEGA

Prima di tentare di utilizzare la motosega, familiarizzare con tutte le istruzioni di funzionamento e le norme di sicurezza.

COLLEGAMENTO ELETTRICO

La motosega è dotata di un motore elettrico integrato. Collegare solo all'alimentazione del tipo specificato sulla piastra. Non mettere in funzione questo utensile con corrente diretta (DC). Una caduta di voltaggio provocherà perdita di potenza e surriscaldamento. Se l'utensile non si mette in funzione quando viene collegato a una presa, controllare di nuovo l'alimentazione.

AVVERTENZE

Non permettere che l'eventuale familiarità con l'utensile renda disattenti. Non dimenticare mai che basta un secondo di distrazione per ferirsi in modo grave.

FUNZIONAMENTO

INTERRUTTORE

Vedere la figura 1.

- Per avviare la motosega, rilasciare l'interruttore.
- Rilasciare l'interruttore a grilletto per SPEGNERE la motosega.

TASTO DI BLOCCO

Vedere la figura 1.

La motosega è dotata di un dispositivo di blocco, conveniente per tagli continui da svolgersi durante lunghi periodi di lavoro. Per bloccarla, rilasciare l'interruttore a grilletto, spingere e tenere premuto il tasto di blocco situato sul lato del manico, quindi rilasciare l'interruttore a grilletto. Rilasciare il tasto di blocco, la motosega continuerà a girare.

Per rilasciare il dispositivo di blocco, rilasciare l'interruttore a grilletto.

Se il dispositivo di blocco è stato inserito durante l'utilizzo e la motosega si scollega dall'alimentazione, disattivare il dispositivo di blocco immediatamente.

⚠ AVVERTENZE

Prima di collegare la motosega all'alimentazione, assicurarsi sempre che il dispositivo di blocco non sia stato inserito (premere e rilasciare l'interruttore a grilletto). La mancata osservanza di tali norme potrà risultare nell'avvio accidentale della motosega che potrà provocare gravi lesioni personali. Analogamente, non bloccare il seghetto in posizione di "marcia" quando si effettuano lavori che richiedono numerosi arresti del seghetto.

PER INSTALLARE LE LAME

Vedere la figura 3.

- Scollegare l'utensile.

⚠ AVVERTENZE

Se il seghetto non è scollegato dall'alimentazione elettrica, potrebbe verificarsi un avvio involontario in grado di provocare gravi lesioni fisiche.

- Capovolgere l'utensile.
- Ruotare la leva quick release (a rilascio veloce) in senso anti-orario e reggere in posizione.
- Inserire la lama nella fessura della guida, assicurandosi che la parte posteriore della lama sia posizionata correttamente nel solco.
NOTE: Utilizzare solo lame con attacco a T.
- Spingere la lama nel morsetto per tutta la lunghezza.
- Rilasciare la leva Quick Release (a rilascio veloce).

⚠ AVVERTENZE

Per evitare gravi lesioni indossare sempre occhiali di sicurezza o occhiali di sicurezza con schermi laterali. Tenere mani e dita lontane dalla sede del motore e dal morsetto della lama e non abbassarsi sotto l'utensile durante le operazioni di taglio.

⚠ AVVERTENZE

Per evitare gravi lesioni personali, non utilizzare la motosega senza paralame di sicurezza correttamente installate.

VELOCITÀ VARIABILE

Vedere la figura 8.

La motosega è dotata di un selezionatore di velocità variabile che permette all'operatore di regolare la velocità

e i limiti della potenza. La velocità e l'alimentazione della motosega possono essere aumentate o diminuite ruotando il selezionatore di velocità variabile nella direzione indicata dalle frecce.

NOTE: Per aumentare la velocità e la potenza del seghetto, tenerlo in posizione di funzionamento normale e ruotare il variatore di velocità in senso antiorario. Girare in senso orario per diminuire la velocità e la potenza.

Se si desidera bloccare l'interruttore a una data velocità, rilasciare l'interruttore a grilletto, inserire il dispositivo di blocco e rilasciare l'interruttore a grilletto. Quindi regolare il selezionatore della velocità variabile fino a che non venga raggiunta la velocità desiderata.

Evitare di mettere in funzione la motosega a bassa velocità per lunghi periodi di tempo. Mettere in funzione l'utensile a bassa velocità a ritmo costante potrà far surriscaldare la motosega. In questo caso, fare raffreddare il seghetto facendolo girare a vuoto alla massima velocità.

Le seguenti linee guida potranno essere utilizzate per determinare la corretta velocità per varie applicazioni:

- Impostare la velocità su **LOW** (Bassa) sarà la soluzione ideale quando si avrà bisogno di velocità e alimentazione al minimo per esempio durante le operazioni di avvio.
- Impostare la velocità su **MEDIUM** (MASSIMA) sarà utile quando si tagliano metalli duri, plastica e laminati.
- Impostare la velocità su **HIGH** (ALTA) produrrà risultati migliori quando si necessita della massima potenza, come per esempio durante lavori di taglio del legno. Metalli morbidi come alluminio, ottone e rame potranno richiedere alte velocità.

VANO RIPONIMENTO LAME

Vedere la figura 2.

Il vano di riponimento lame è una comoda caratteristica di questa motosega. Questo vano è situato nella parte posteriore dell'ugello di aspirazione della polvere e consente di riporre le lame di ricambio. Utile per riporre ulteriori lame non utilizzate.

- **Per aprire:** Aprire il vano con il pollice o le dita.
- Posizionare le lame nel vano di riponimento.
- **Per chiudere:** Chiudere il vano con il pollice o con un dito.

⚠ AVVERTENZE

Non inserire le lame nelle griglie dell'aria dal momento che potranno entrare in contatto con parti interne vive e causare scosse elettriche, provocando gravi lesioni.

⚠ AVVERTENZE

La motosega non deve essere mai collegata all'alimentazione quando si montano parti, svolgono regolazioni o operazioni di installazione e rimozione lame o quando l'utensile non viene utilizzato. Scollegare l'utensile preverrà l'avvio accidentale che potrà causare gravi lesioni personali.

TAGLI GENERALI

Vedere la figura 4.

Poggiare la parte anteriore della base della motosega sul pezzo da lavorare e allineare l'estremità di taglio della lama con il segno sul pezzo sul quale si sta lavorando. Assicurarsi che il cavo di alimentazione si trovi lontano dalla lama e non all'interno della linea di taglio. Avviare la motosega e spostarla in avanti sulla superficie di lavoro. Fare pressione verso il basso per tenere la motosega ferma e applicare una leggera pressione verso l'alto per fare in modo che la lama continui a tagliare.

⚠ AVVERTENZE

Non forzare la motosega. Forzare la motosega potrà far surriscaldare il motore e spezzare le lame.

MOVIMENTO ORBITALE

Vedere la figura 4.

La lama del seghetto taglia effettuando un movimento pendolare. Tale funzione è regolabile e consente un taglio più rapido ed efficace. Le lame taglieranno con un movimento orbitale attraverso il pezzo sul quale si sta lavorando in fase ascendente ma non in fase discendente.

- Le impostazioni di velocità più alta (H) dovranno essere utilizzate quando si taglia velocemente in materiali morbidi.
- Dovranno essere utilizzate impostazioni più basse (L) quando si tagliano materiali più resistenti.

TAGLIO DRITTO

Vedere la figura 4.

È possibile fare un taglio dritto ancorando con un pezzo di legno o un regolo il pezzo sul quale si sta lavorando e seguendo con la motosega la linea di taglio indicata da tali supporti. Fare il taglio solo da una direzione, non fare un taglio a metà e quindi completare il taglio dall'estremità opposta.

TAGLIO SAGOMATI

Vedere la figura 5.

Si potranno fare tagli sagomati con la motosega guidando

la direzione di taglio applicando pressione sul manico.

⚠ AVVERTENZE

Una eccessiva pressione laterale sulla lama potrà rompere le lame o danneggiare il materiale da tagliare.

TAGLI OBLIQUI (SMUSSATURE)

Vedere la figura 6.

Gli angoli di smussatura potranno essere regolati da 0° a 45° a destra o sinistra. Angoli per tagli da 0° a 45° in incrementi di 22,5° sono indicati su una scala sia a sinistra che a destra della base.

Si consiglia l'uso di un goniometro per tagli accurati.

REGOLAZIONE DELL'ANGOLO

Vedere la figura 6.

- Allentare le vite di blocco base con una chiave fino a che la base non possa essere rimossa.
- Far scorrere la base in avanti leggermente per rilasciare la base dalla linguetta sulla sede del motore.
- Allineare il segno sulla base dell'angolo desiderato con il bordo sulla sede del motore.
- Una volta raggiunto l'angolo desiderato, far scorrere la base sull'utensile fino a che la linguetta sulla sede del motore non sia allineata con la tacca corrispondente sulla parte posteriore della base.
- Posizionare il supporto per la guida ruote in modo che la guida sia rivolta contro la parte posteriore della motosega. È possibile svolgere tagli precisi solo quando la guida ruote è rivolta verso la parte posteriore della motosega.
- Riassicurare la vite di sostegno della base con l'apposita chiave.

PER FARE UN TAGLIO A TUFFO

Vedere la figura 7.

⚠ AVVERTENZE

Per evitare perdita di controllo, lame spezzate o danni al materiale da tagliare fare sempre attenzione quando si fanno tagli a tuffo. Evitare di svolgere tagli a tuffo su materiali diversi dal legno.

- Indicare la linea di taglio chiaramente sulla parte sulla quale si sta lavorando.
- Impostare l'angolo di taglio su 0°.
- Inclinare in avanti la motosega in modo che sia appoggiata sulla parte anteriore della base e la lama

Italiano

non entri in contatto con il pezzo sul quale si sta lavorando quando si mette in funzione la motosega.

- Assicurarsi che la lama si trovi all'interno della zona di taglio.
- Avviare la motosega utilizzando l'alta velocità e abbassare lentamente la lama nel pezzo da tagliare fino a che la lama non tagli attraverso il legno.
- Continuare ad abbassare la lama attraverso il pezzo da lavorare sino a quando la base non si trova in posizione piatta contro di esso, quindi spostare in avanti il seghetto per terminare il taglio interno.
- Utilizzare solo lame con 7 denti per pollice per questo tipo di tagli.

TAGLIO NEL METALLO

Si potranno tagliare molti tipi di metalli con la motosega. Fare attenzione a non fare torcere né piegare le lame. Non esercitare forza sulla levigatrice.

Se la lama si scuote o vibra eccessivamente, utilizzare una lama con denti più sottili o velocità più alta. Se la lama si surriscalda eccessivamente, utilizzare una velocità più bassa. Se i denti della lama si riempiono o bloccano quando si tagliano metalli morbidi come l'alluminio, utilizzare una lama con denti più spessi o una velocità più bassa. Si raccomanda di utilizzare olio quando si tagliano metalli per raffreddare le lame, aumentare l'azione di taglio e prolungare la durata delle lame. Ancorare ile parti sulle quali si sta lavorando saldamente e tagliare vicino ai punti di ancoraggio per eliminare le vibrazioni dal la parte sulla quale si sta lavorando.

Quando si tagliano canaline, tubi o angolari profilati, ancorare il pezzo sul quale si sta lavorando con dei morsetti ove possibile e svolgere le operazioni di taglio seguendo il segno. Quando si effettua un taglio in condutture, tubature o angolari, bloccare possibilmente i pezzi mediante una morsa e segare in prossimità della morsa stessa. Per tagliare lamiere sottili, bloccarle tra due pezzi di legno o compensato e segarle insieme onde evitare vibrazioni o lacerazioni del materiale. indicare la linea di taglio o il segno da seguire sulla parte superiore della struttura a "sandwich".

⚠ Importante!

Quando si tagliano metalli, fare in modo che una porzione della barra rimanga libera e rimuovere le schegge di metallo pulendo spesso l'utensile con un panno umido. Fare estrema attenzione smaltendo eventuali panni unti dopo il completamento del lavoro per prevenire eventuali rischi di incendio.

GUIDA DI TAGLIO PARALLELA

Vedere la figura 9.

È disponibile una guida per bordi utilizzabile con la motosega, ideale per tagli trasversali e rifilature.

PER INSTALLARE:

- Scollegare la motosega.

⚠ AVVERTENZE

Se la spina non è disinserita dalla presa di corrente, la levigatrice può avviarsi involontariamente e provocare gravi lesioni fisiche.

- Inserire il braccio della guida per bordi attraverso le due fessure alla base della motosega.
- Regolare le guida all'ampiezza desiderata e bloccarla utilizzando la vite della guida.

⚠ AVVERTENZE

Quando si svolgono operazioni di manutenzione, utilizzare solo ricambi identici. Utilizzare qualsiasi altra parte potrà costituire un rischio o causare danni al prodotto.

PER COLLEGARE IL SISTEMA DI ESTRAZIONE DELLA POLVERE (NON INCLUSO)

- Scollegare l'utensile.

⚠ AVVERTENZE

Se il seghetto non è scollegato dall'alimentazione elettrica, potrebbe verificarsi un avvio involontario in grado di provocare gravi lesioni fisiche.

- Collegare l'ugello del sistema per la raccolta polvere alla porta per la polvere.

SPIA LUMINOSA DI PRESENZA TENSIONE

Questo utensile è dotato di una spia luminosa di presenza tensione, che si illumina quando l'apparecchio è collegato all'alimentazione elettrica. Questa spia attira l'attenzione dell'utilizzatore sul fatto che la molatrice è sotto tensione e si mette in funzione non appena l'interruttore viene spostato in avanti.

Italiano

MANUTENZIONE**NORME DI CARATTERE GENERALE**

Tutte le altre parti rappresentano una parte importante del sistema di isolamento di classe II e la manutenzione su di esse dovrà essere svolta da un tecnico qualificato.

Evitare di utilizzare solventi quando si puliscono le parti in plastica. La maggior parte delle plastiche è soggetta a danni da vari tipi di solventi commerciali. Utilizzare un panno pulito per rimuovere tracce di sporco, polvere, olio, grasso, ecc.

AVVERTENZE

Evitare che sostanze quali liquidi per i freni, benzina, prodotti a base di petrolio, oli penetranti, ecc. entrino in contatto con parti metalliche. Tali prodotti chimici contengono infatti sostanze che possono danneggiare, indebolire o distruggere le materie plastiche.

Gli elettroutensili sono soggetti ad usura accelerata e a malfunzionamenti prematuri se utilizzati per lavori su imbarcazioni in vetroresina, auto sportive, pannelli o gesso.

I materiali di scarto di lavori quali scalpellatura e molatura sono altamente abrasivi per le parti elettriche degli utensili come cuscinetti, spazzole, commutatori, ecc. Di conseguenza, si sconsiglia vivamente l'utilizzo prolungato di questo apparecchio su fibra di vetro, pannelli di rivestimento, stucco o gesso. Durante l'utilizzo su questi materiali è estremamente importante che l'utensile venga spesso pulito soffiando al suo interno con un getto d'aria.

LUBRIFICAZIONE

Tutti i cuscinetti di questo utensile sono stati lubrificati con una quantità sufficiente di lubrificante di alta qualità per garantire l'ottimo funzionamento dell'utensile. Di conseguenza, non è necessario effettuare alcuna lubrificazione supplementare.

ATTENZIONE

Tenere le prolunghe lontane dalla zona di taglio e posizionare il cavo in modo che non rimanga impigliato in legno, utensili, ecc. durante le operazioni di taglio.

AVVERTENZE

Controllare le prolunghe prima di ogni utilizzo se danneggiati sostituirli immediatamente. Non utilizzare mai utensili con un cavo danneggiato dal momento che toccare la zona danneggiata potrà causare scosse elettriche che provocheranno gravi lesioni.

Le prolunghe adatte all'utilizzo con questa motosega sono disponibili presso il centro servizi autorizzato più vicino.

AVVERTENZE

Indossare sempre occhiali di sicurezza o occhiali di sicurezza con schermi laterali durante le operazioni con l'elettroutensile o quando si aspira della polvere. Nel caso in cui si preveda che le operazioni di lavoro causeranno polvere, indossare sempre una maschera anti-polvere.

TUTELA DELL'AMBIENTE

Riciclare le materie prime anziché gettarle tra i rifiuti domestici. Per tutelare l'ambiente, l'apparecchio, gli accessori e gli imballaggi devono essere smaltiti separatamente.

SIMBOLO

Allarme di sicurezza

V Volt

Hz Hertz

~ Corrente alternata

W Watt

n_o Velocità a vuoto

min⁻¹ Numero di giri o di movimenti al minuto



Capacità di taglio max. in legno



Conformità CE



Doppio isolamento



Indossare cuffie di protezione



Indossare occhiali di protezione



Leggere attentamente le istruzioni prima di avviare l'utensile.



I prodotti elettrici non devono essere smaltiti con i rifiuti domestici. Vi sono strutture per smaltire tali prodotti. Informarsi presso il proprio Comune o rivenditore di sicurezza per smaltire adeguatamente tali rifiuti.

Nederlands

BESCHRIJVING

1. Aan-/uitschakelaar
2. Vergrendelknop
3. Beschermkap
4. Voetplaat
5. Inkeping
6. Zaagblad
7. Afzuigmondstuk
8. Geleidewieltje
9. Gleuf
10. Parallelgeleider
11. Blokkeerschroef van de parallelgeleider
12. Hendel van de snelklem van het zaagje
13. Netspanningsverklikker
14. Houder
15. Schroeven
16. Snelheidsregelaar
17. Regelknop pendelbeweging
18. Opbergvak voor zaagjes

BIJZONDERE VEILIGHEIDSVOORSCHRIFTEN

- **Als de werking stof veroorzaakt, draag dan ook een stofmasker.**
- **Wacht tot de snijmachine is stilgevallen vooraleer u het toestel neerzet.** Een blootgestelde snijmachine kan zich in het oppervlak vastzetten waardoor u mogelijks de controle verliest en met risico voor ernstige letsels.
- **Houd het apparaat alleen vast aan geïsoleerde en slijpvrije delen als u in een oppervlak of ondergrond werkt waarin zich eventueel elektrische leidingen bevinden of als bij het uitvoeren van de werkzaamheden het netsnoer in de buurt van het werktuig zou kunnen komen.** Metalen delen kunnen bij aanraking met stroomvoerende leidingen zelf onder stroom komen te staan en een elektrische schok veroorzaken.
- **Als het stroomsnoer beschadigd is, mag deze uitsluitend worden vervangen door de fabrikant of door een geautoriseerd onderhoudscentrum om risico te voorkomen.**

SPECIFICATIES

Spanning	230 V ~ 50 Hz
Vermogen	600 W
Slagen per minuut	800 - 3000 min ⁻¹
Slaglengte	19 mm
Max. zaagdiepte	
Hout	70 mm
Staal	6 mm

EIGENSCHAPPEN

KEN UW ZAAGMACHINE

Voor u de zaagmachine probeert te gebruiken moet u vertrouwd worden met alle bedieneigenschappen en veiligheidsvoorschriften.

ELEKTRISCHE VERBINDING

Uw zaagmachine heeft een op maat gemaakte elektrische motor. Deze zou met een stroombron van het type dat door het kentekenplaatje wordt gespecificeerd, worden verbonden. Gebruik dit werktuig niet met gelijkstroom (DC). Een belangrijke spanningsval zal leiden tot vermogensverlies en oververhitting. Als uw werktuig niet werkt wanneer het met de contactdoos is verbonden, controleert u de stroomvoorziening.

WAARSCHUWING

Laat uw vertrouwde met werktuigen u niet zorgeloos maken. Vergeet niet dat zelfs één seconde onoplettendheid ernstig lichamelijk letsel kan veroorzaken.

BEDIENING

AAN-/UITSCHAKELAAR

Zie afbeelding 1.

- Om uw zaagmachine in te schakelen, drukt u op de schakelaar.
- Laat de aan-/uitschakelaar los om uw zaagmachine UIT te schakelen.

VERGRENDELKNOP

Zie afbeelding 1.

Uw zaagmachine is uitgerust met een vergrendelfunctie, die handig is wanneer u gedurende langere periodes ononderbroken moet zagen. Om de vergrendelen, drukt u de aan-/uitschakelaar in en houdt u de vergrendelknop die zich aan de zijkant van het handvast bevindt, ingedrukt en laat u dan de aan-/uitschakelaar los. Laat de vergrendelknop los en uw zaagmachine zal blijven werken.

Om de vergrendeling los te maken, drukt u op de aan-/uitschakelaar en laat u deze los.

Als u de vergrendelfunctie tijdens het gebruik heeft geactiveerd en de zaagmachine raakt van de stroomvoorziening ontkoppeld, deactiveert u de vergrendelfunctie onmiddellijk.

Nederlands

⚠ WAARSCHUWING

Voor u de zaagmachine met de stroomvoorziening verbindt, controleert u altijd dat deze niet is vergrendeld (druk de aan-/uitschakelaar in en laat los). Wanneer u dit niet doet kan dit leiden tot accidenteel starten van uw zaagmachine, wat leidt tot ernstige letsels. Gebruik de vergrendelfunctie niet als u werk doet waarbij u de zaag veelvuldig moet laten stoppen.

ZAAGBLADEN INSTALLEREN

Zie afbeelding 3.

- Trek het werktuig uit de contactdoos.

⚠ WAARSCHUWING

De machine kan ongewild in werking treden en ernstig lichamelijk letsel veroorzaken als de stekker van de zaagmachine niet uit het stopcontact is getrokken.

- Draai het werktuig ondersteboven.
- Draai de snelle ontgrendelhendel tegen de richting van de wijzers van de klok in houd in positie.
- Breng het zaagblad in de groef van de rolgeleider en zorg ervoor dat de achterkant van het zaagblad goed in de groef is geplaatst.

OPMERKING: Er kunnen alleen T-schacht zaagbladen worden gebruikt.

- Druk het zaagblad zo ver mogelijk in de zaagbladklem.
- Laat de snelle ontgrendelhendel los.

⚠ WAARSCHUWING

Om mogelijk ernstige letsels te vermijden draagt u altijd een veiligheidsbril of een veiligheidsbril met zijdelingse bescherming. Houd handen en vingers weg van de motorbehuizing en de zaagklem en reik niet onder het werkstuk terwijl het zaagblad zaagt.

⚠ WAARSCHUWING

Om ernstige lichamelijke letsels te vermijden, gebruikt u de zaagmachine niet zonder goed geïnstalleerde beschermer.

VARIABLE SNELHEID

Zie afbeelding 8.

Uw zaagmachine heeft een variabele snelheidscontroleselectieknop die de gebruiker toelaat, de snelheid en vermogensgrenzen aan te passen. De snelheid en het vermogen van uw zaagmachine kan worden verhoogd of verlaagd door de variabele snelheidscontroleselectieknop in de richting van de pijlen te draaien.

OPMERKING: Houd uw zaagmachine in een normale bedienpositie en draai de variabele snelheidscontroleselectieknop tegen de richting van de wijzers van de klok om de snelheid en het vermogen te verhogen. Draai met de richting van de wijzers van de klok om de snelheid en het vermogen te verminderen.

Als u de schakelaar op een bepaalde snelheid wilt vergrendelen, drukt u op de gashendel, drukt u op de vergrendelknop en houdt u deze ingedrukt en laat u de gashendel opnieuw los. Stel dan de variabele snelheidscontroleselectieknop af tot de gewenste snelheid is bereikt.

Laat de zaagmachine niet aan een lage snelheid draaien voor een langere periode. Wanneer u de zaagmachine constant aan lage snelheid laat draaien kan deze oververhit raken. In dit geval kunt u de zaag afkoelen door deze onbelast op maximumsnelheid te laten draaien.

De volgende richtlijnen kunnen worden gebruikt voor het bepalen van de juiste snelheid voor verschillende toepassingen:

- **LOW** snelheid is ideaal, wanneer minimumsnelheid en -vermogen nodig is, bijvoorbeeld wanneer u begint met zagen.
- **MEDIUM** snelheid is geschikt voor het zagen van harde metalen, kunststof en laminaat.
- **HIGH** snelheid produceert het beste resultaat wanneer het maximumvermogen nodig is, bijvoorbeeld het zagen van hout. Zachte metalen, zoals aluminium, messing en koper vereisen ook hogere snelheden.

ZAAGBLADOPSLAG

Zie afbeelding 2.

Een handige eigenschap van uw zaagmachine is de zaagbladopslag. Dit vakje bevindt zich achter het stofafzuigmondstuk. Het is handig voor het opbergen van bijkomende zaagbladen wanneer deze niet worden gebruikt.

- **Openen:** Trek de deur naar beneden met uw duim of vinger.
- Plaats de zaagbladen in de bladopslagruimte.
- **Om te sluiten:** Trek de deur naar boven met uw duim of vinger.

Nederlands

WAARSCHUWING

Breng het zaagblad niet in de luchtinlaten aangezien ze zo in contact kunnen komen met elektrisch geladen inwendige onderdelen en een elektrische schok kunnen veroorzaken, wat kan leiden tot ernstige letsels.

WAARSCHUWING

Uw zaagmachine mag nooit worden verbonden met een stroomvoorziening, wanneer u onderdelen monteert, afstellingen maakt, zaagbladen installeert of verwijdert of niet in gebruik is. Wanneer u het werktuig ontkoppelt, voorkomt dit accidenteel starten, wat ernstige letsels kan veroorzaken.

ALGEMEEN ZAGEN

Zie afbeelding 4.

Rust de voorkant van de zaagbasis op het werkstuk en lijn de zaagrand van het zaagblad af met de lijn op uw werkstuk. Zorg ervoor dat het stroomsnoer weg van het zaagblad is en zich niet in de zaaglijn bevindt. Start uw zaagmachine en beweeg het vooruit op het werkoppervlak. Pas neerwaartse druk toe om de zaagmachine stabiel te houden en alleen voldoende voorwaartse druk om het zaagblad toe te laten te blijven zagen.

WAARSCHUWING

Forceer uw zaagmachine niet. Wanneer u uw zaagmachine forceert, kunt u de motor oververhitten en de zaagbladen breken.

ORBITALE BEWEGING

Zie afbeelding 4.

Het zaagje kan bij het zagen een pendelbeweging maken. U kunt de pendelbeweging in verschillende standen verstellen om sneller en beter te zagen. Met een orbitale beweging zaagt het zaagblad door uw werkstuk bij de opgaande slag, maar sleept niet over uw werk bij de neerwaartse slag.

- Hogere instellingen (H) moeten gebruikt worden voor snel zagen in zacht materiaal.
- Lagere (L) instellingen moeten worden gebruikt bij zaagmaterialen met meer weerstand.

RECHTE SNEDE

Zie afbeelding 4.

Een rechte insnede kan worden gemaakt door een stuk hout of lineaal aan het werkstuk vast te maken en langs de rand van uw zaagmachine te geleiden. Maak de insnede uitsluitend in een richting; zaag niet tot halverwege om de insnede te voltooiën vanaf de tegenovergestelde zijde.

FIGUURZAGEN

Zie afbeelding 5.

Met uw zaagmachine kunt u figuurzagen door de richting van de insnede te geleiden aan de hand van druk die op het handvat wordt uitgeoefend.

WAARSCHUWING

Overdreven zijdelingse druk aan het zaagblad kan leiden tot gebroken zaagbladen of schade aan het materiaal dat wordt gezaagd.

HOEKZAGEN (AFSCHUINEN)

Zie afbeelding 6.

Afschuinhoeken kunnen worden afgesteld van 0° tot 45°. Hoeken voor insnedes van 0° tot 45° in 22.5°-stukken zijn gemarkeerd op een schaal aan de linker- en rechterkant van de voet.

Het gebruik van een gradenboog is aanbevolen wanneer precieze insnedes nodig zijn.

HOEK AFSTELLEN

Zie afbeelding 6.

- Maak de voethouderschroef met de sleutel vast tot de voet kan worden bewogen.
- Glijd de voet een klein beetje naar voor om de basis van de tab op de motorbehuizing los te maken.
- Lijn de markering aan de voet van de gewenste hoek af met de rand van de motorbehuizing.
- Eens de gewenste hoek is bereikt, glijdt u de voet terug tot de tab op de motorbehuizing afgelijnd is met de passende pal op de achterkant van de voet.
- Plaats de houder van de rolgeleider op een zodanige manier dat de geleider tegen de achterkant van het zaagblad aankijkt. Precieze insnedes zijn alleen mogelijk wanneer de geleiderrol stevig tegen de achterkant van het zaagblad aankijkt.
- Span de voethouderschroef opnieuw aan met de sleutel om de voet vast te maken.

INSTEELKINSNEDE MAKEN

Zie afbeelding 7.

WAARSCHUWING

Om controleverlies, gebroken zaagbladen of schade aan het materiaal dat wordt gezaagd, te vermijden, moet u altijd uiterst voorzichtig zijn wanneer u insteekzaagsnedes maakt. We raden het insteekzagen niet aan op andere materialen dan hout.

Nederlands

- Markeer duidelijk de zaaglijn op het werkstuk.
- Stel de zaaghoek af op 0°.
- Kantel de zaagmachine naar voor zodat deze rust op de voorste rand van de voet en het zaagblad zal niet in contact komen met het werkstuk wanneer de zaagmachine wordt ingeschakeld.
- Zorg ervoor dat het zaagblad zich binnen de plaats waar moet worden gezaagd, bevindt.
- Start uw zaagmachine aan hoge snelheid en laat het zaagblad langzaam naar beneden in het werkstuk tot het zaagblad door het hout zaagt.
- Breng het zaagblad verder naar beneden in het werkstuk tot de basis vlak op het werkkoppervlak rust en beweeg de zaagmachine dan naar voor om de insnede te voltooien.
- Gebruik uitsluitend het 7 tanden per inch zaagblad voor dit type van insnede.

ZAGEN VAN METAAL

Veel metaalsoorten kunnen met uw zaagmachine worden gezaagd.

Zorg ervoor de zaagbladen niet te buigen of plooiën. Vooral de schuurmachine niet overbelasten.

Als het zaagblad klappert of overdreven trilt, gebruikt u een zaagblad met fijnere tanden of een hogere snelheid. Als het zaagblad overdreven warm wordt, gebruikt u een lagere snelheid. Als de zaagtanden vol of verstopt raken bij het zagen van zacht metaal, zoals aluminium, gebruikt u een zaagblad met grovere tanden of een lagere snelheid. We raden het gebruik van olie aan wanneer u metaal zaagt om de zaagbladen koel te houden, het zagen te versnellen en de leeftijd van uw zaagblad te verlengen. Klem het werkstuk stevig vast en zaag dicht bij het klempunt om trillingen aan het werkstuk dat wordt gezaagd, te vermijden.

Wanneer u een leiding, pijp of hoekijzer zaagt, klem dan, indien nodig, het werkstuk vast in een bankschroef en zaag dicht bij de bankschroef. Dunne metaalplaten moeten tussen twee hout- of triplexplaten worden vastgeklemd en vervolgens samen worden doorgezaagd om te voorkomen dat het materiaal gaat trillen of inscheurt. Zo kunt u een scherpe en zuivere zaagsnede in het materiaal maken. Leg uw patroon of zaaglijn boven op de "sandwich".

⚠ Belangrijk!

Wanneer u metaal zaagt, houdt u het blootgestelde deel van het zwaard schoon en vrij van metalen chips door dit regelmatig met een vette doek af te vegen. Wees uiterst voorzichtig wanneer u het vette doeken weggooit nadat u een opdracht heeft voltooid om een mogelijk brandgevaar te voorkomen.

PARALLELGELEIDER

Zie afbeelding 9.

Een randgeleider is beschikbaar voor gebruik met uw zaagmachine en kan worden gebruikt om af te korten en te schulpen.

INSTALLEREN:

- Trek de zaagmachine uit de contactdoos.

⚠ WAARSCHUWING

Als u de stekker van de schuurmachine niet uit het stopcontact trekt, kan de machine ongewild in werking treden en ernstig lichamelijk letsel veroorzaken.

- Breng de arm van de randgeleider door de twee openingen in de voet van uw zaagmachine.
- Stel de randgeleider in de gewenste breedte af en vergrendel deze op zijn plaats aan de hand van de randgeleiderschroef.

⚠ WAARSCHUWING

Gebruik voor het onderhoud enkel identieke vervangonderdelen. Het gebruik van andere onderdelen kan gevaarlijk zijn of schade aan het product veroorzaken.

OM HET STOFEXTRACTIESYSTEEM (NIET INBEGREPEN) TE VERBINDEN

- Trek het werktuig uit de contactdoos.

⚠ WAARSCHUWING

De machine kan ongewild in werking treden en ernstig lichamelijk letsel veroorzaken als de stekker van de zaagmachine niet uit het stopcontact is getrokken.

- Sluit het mondstuk van het stofverzamelstelsel aan de stofpoort aan.

NETSPANNINGSVERKLIKKER

Dit werktuig is voorzien van een netspanningsverklikker die gaat branden van zodra het apparaat op een stopcontact is aangesloten. Dit waarschuwt de gebruiker dat het werktuig onder spanning staat en gaat werken zodra u de schakelaar indrukt.

Nederlands

ONDERHOUD

AFBRAAMSCHIJF

Alle andere onderdelen vertegenwoordigen een belangrijke deel van het klasse II isolatiesysteem en mag uitsluitend door een gekwalificeerd onderhoudstechnicus worden onderhouden.

Voorkom het gebruik van oplosmiddelen wanneer u kunststof onderdelen reinigt. De meeste kunststoffen zijn gevoelig voor schade van verschillende types commerciële oplosmiddelen. Gebruik een schone doek om vuil, stof, olie, vet, enz. te verwijderen.

⚠ WAARSCHUWING

Voorkom steeds dat remvloeistoffen, benzine, petroleumproducten, kruipolie enz. in contact komen met kunststof onderdelen. Deze chemicaliën bevatten namelijk stoffen die kunststof kunnen beschadigen, verzwakken of aantasten.

De ervaring leert dat elektrische werktuigen onderhevig zijn aan versnelde slijtage en mogelijk voortijdig defect, wanneer ze worden gebruikt op glasvezelboten, sportvoertuigen, wandplaten of gips

De chips en meel van deze materialen zijn uiterst ruw voor elektrische werktuigonderdelen, zoals de lagers, borstels, stroomwisselaars, etc. Het gebruik van deze machine voor fiberglasplaatwerk, muurplaten, bouwpleister of gips wordt daarom sterk afgeraden. Tijdens elk gebruik van deze materialen is het uiterst belangrijk dat het werktuig regelmatig wordt schoongemaakt door dit met een luchtstraal uit te blazen.

SMERING

Alle lagers in deze machine zijn gesmeerd met een voldoende hoeveelheid smeermiddel van hoge kwaliteit, hetgeen moet volstaan voor de levensduur van de machine onder normale gebruiksomstandigheden. Extra smering is daarom niet noodzakelijk.

⚠ LET OP

Houd verlengsnoeren weg van het zaagbereik en plaats het snoer zodanig dat het niet kan vastraken op hout, werktuigen, etc. tijdens de zaagwerken.

⚠ WAARSCHUWING

Controleer verlengsnoeren voor elk gebruik en vervang onmiddellijk, indien beschadigd. Gebruik nooit een werktuig met een beschadigd snoer, aangezien het aanraken van het beschadigde deel kan leiden tot een elektrische schok, wat ernstige letsels kan veroorzaken.

Verlengsnoeren die geschikt zijn voor uw zaagmachine

zijn verkrijgbaar in uw dichtstbijzijnde onderhoudscentrum.

⚠ WAARSCHUWING

Draag altijd een veiligheidsbril of gezichtsbescherming met zijdelingse bescherming terwijl u het werktuig gebruikt of wanneer u stof blaast. Als de werking stof veroorzaakt, draag dan ook een stofmasker.

MILIEUBESCHERMING



Zorg dat grondstoffen worden gerecycled. Zet daarom een afgedankte elektrische machine niet bij het huishoudafval. Om het milieu te beschermen moeten de machine, de accessoires en de verpakking gesorteerd bij een erkend recyclingcentrum worden aangeleverd.

SYMBOOL



Veiligheidswaarschuwing

V

Volt

Hz

Hertz

~

Wisselstroom

W

Watt

n₀

Toerental bij nullast

min⁻¹

Aantal toeren of omwentelingen per minuut



Maximum zaagcapaciteit in hout



EU-conformiteit



Dubbele isolatie



Draag gehoorbescherming



Draag gezichtsbescherming



Gelieve de instructies zorgvuldig te lezen voordat u de machine in gebruik neemt.



Elektrisch afval mag niet samen met ander huishoudafval worden weggegooid. Gelieve te recycleren indien de mogelijkheid bestaat. Neem contact op met uw lokale autoriteiten of handelaar om advies te krijgen over recyclage.

Português

DESCRIÇÃO

1. Interruptor
2. Botão de bloqueio
3. Protector de lâmina
4. Base
5. Entalhe
6. Lâmina da serra
7. Bico de aspiração
8. Rolete de guia
9. Ranhura
10. Guia de corte paralelo
11. Botão de bloqueio da guia de corte paralelo
12. Alavanca de fixação rápida da lâmina
13. Luz avisadora de ligação
14. Suporte
15. Parafuso
16. Variador de velocidade
17. Dispositivo de ajuste do movimento pendular
18. Compartimento de arrumo das lâminas

REGRAS ESPECIAIS DE SEGURANÇA

- **Caso a operação seja poeirenta, use também uma máscara contra o pó.**
- **Aguarde que o cortador pare antes de pousar a ferramenta.** Um cortador exposto pode embater na superfície conduzindo à eventual perda de controlo e lesões graves.
- **Segure a ferramenta unicamente pelas partes isoladas e anti-derrapantes quando trabalhar numa superfície que pode esconder fios eléctricos ou quando o trabalho requerido possa pôr o fio de alimentação na trajectória da ferramenta.** Um contacto com fios sob tensão poderia transmitir a corrente às partes metálicas e provocar choques eléctricos.
- **Se o cabo de alimentação estiver danificado, deverá ser substituído unicamente pelo fabricante ou por um centro de serviço autorizado para evitar riscos.**

ESPECIFICAÇÕES

Voltagem	230 V ~ 50 Hz
Potência	600 W
Traçado por minuto	800 - 3000 min ⁻¹
Comprimento do traçado	19 mm
Capacidade corte máx.	
Madeira	70 mm
Aço	6 mm

CARACTERÍSTICAS

CONHECER A SUA SERRA

Antes de tentar utilizar a sua serra, familiarize-se com todas as características operacionais e requisitos de segurança.

LIGAÇÃO ELÉCTRICA

A serra possui um motor eléctrico de precisão incorporado. Ele deve estar ligado apenas a uma fonte de alimentação do tipo especificado pela sua placa de identificação. Não opere esta ferramenta com corrente directa (DC). Uma substancial queda de voltagem causarão uma perda de potência e sobreaquecimento. Se a ferramenta não funciona quando é ligada a uma tomada, verifique a fonte de alimentação.

AVISO

Não permita que a familiaridade com as ferramentas o deixem descuidado. Nunca se esqueça que basta um segundo de falta de atenção para se ferir gravemente.

ESPECIFICAÇÕES

INTERRUPTOR

Ver figura 1.

- Para ligar a sua serra, pressione o interruptor.
- Liberte o gatilho interruptor para desligar a sua serra.

BOTÃO DE BLOQUEIO

Ver figura 1.

A serra está equipada com uma funcionalidade de bloqueio, que é conveniente quando é necessário um corte contínuo por longos períodos de tempo. Para prender, pressione o gatilho interruptor, empurre e mantenha pressionado o botão de bloqueio, localizado ao lado da pega, então liberte o gatilho interruptor. Liberte o botão de bloqueio e a sua serra continuará a funcionar.

Para libertar o bloqueio, pressione o gatilho interruptor e liberte. Se tiver disponível o bloqueio durante o funcionamento da serra e se esta se desligar da corrente eléctrica, liberte imediatamente o bloqueio.

AVISO

Antes de conectar a sua serra à fonte de alimentação eléctrica, verifique sempre que se certifica que não está na posição de bloqueio ligado (prima e liberte o interruptor de gatilho). A inobservância desta indicação pode causar o arranque accidental da sua serra resultando em lesões possivelmente graves. Da mesma maneira, não bloqueie a serra na posição "ligar" se fizer trabalhos que requerem muitas paragens da serra.

Português

PARA INSTALAR LÂMINAS

Ver figura 3.

- Desligue a ferramenta.

⚠ AVISO

Se a serra não estiver desligada da corrente, pode ocorrer um arranque por descuido e provocar ferimentos graves.

- Ligue a ferramenta de cabeça para baixo.
- Gire a alavanca de libertação rápida no sentido contrário ao dos ponteiros do relógio e mantenha a posição.
- Insira a lâmina da serra no entalhe da guia do cilindro, certificando-se que a parte de trás da lâmina da serra está correctamente posicionada no entalhe.
NOTA: Apenas podem ser utilizadas lâminas de serra T-shank.
- Empurre a lâmina da serra para o gancho da lâmina tão longe quanto possível.
- Solte a alavanca de libertação rápida.

⚠ AVISO

Para evitar um eventual prejuízo grave, usar sempre óculos de segurança ou óculos de segurança com protecções laterais. Mantenha mãos e dedos fora do alcance da protecção do motor e do gancho da lâmina e não se coloque debaixo da peça de trabalho enquanto a lâmina estiver a cortar.

⚠ AVISO

Para evitar ferimentos graves, não use a serra sem a protecção de segurança correctamente colocada.

VELOCIDADE VARIÁVEL

Ver figura 8.

A serra tem um selector de controlo de velocidade variável concebido para permitir que o operador controle e ajuste os limites de velocidade e de potência. A velocidade e potência da sua serra podem ser aumentadas ou diminuídas, girando o selector de controlo de velocidade variável na direcção das setas.

NOTA: Segure a serra na posição de funcionamento normal e rode o variador de velocidade no sentido contrário ao dos ponteiros de um relógio para aumentar a velocidade e a potência da serra. Gire no sentido dos ponteiros do relógio para diminuir a velocidade e a potência.

Se deseja bloquear o interruptor numa determinada

velocidade, pressione o interruptor do dispositivo, empurre e mantenha pressionado o botão de bloqueio e liberte o interruptor do dispositivo. Em seguida, ajuste o selector de controlo de velocidade variável até que seja atingida a velocidade desejada.

Evite funcionar a sua serra a baixas velocidades durante períodos de tempo prolongados. Trabalhar a velocidades baixas numa utilização constante pode levar ao sobreaquecimento da sua serra. Neste caso, deixe a serra trabalhar em vazio na velocidade máxima para a arrefecer.

As directrizes a seguir podem ser utilizadas para determinar a velocidade correcta para várias aplicações:

- **LOW** (baixa) velocidade é ideal quando é necessária uma velocidade e potência mínima, por exemplo, ao começar cortes.
- **MEDIUM** (média) velocidade é adequada para corte de metais rígidos, plásticos e laminados.
- **HIGH** (alta) velocidade de produz melhores resultados quando a potência máxima é necessária, por exemplo, cortar madeira. Metais suaves como alumínio, latão e cobre também exigem altas velocidades.

ARRUMAÇÃO DA LÂMINA

Ver figura 2.

Uma conveniente característica da sua serra é a arrumação da lâmina. Este compartimento encontra-se na traseira do bico de aspiração da poeira e permite arrumar as lâminas sobresselentes. É conveniente para armazenar lâminas extras quando não estiver em uso.

- **Para abrir:** Puxe a porta para baixo com o seu dedo ou polegar.
- Coloque as lâminas na área de arrumação de lâminas.
- **Para fechar:** Empurre a porta com o seu dedo ou polegar.

⚠ AVISO

Não introduza a lâmina serra nas saída de ar dado que estas poderiam entrar em contacto com as peças internas ligadas electricamente e causar choque eléctrico, resultando em graves lesões.

⚠ AVISO

A sua serra nunca deve ser ligada à fonte de alimentação quando estiver a montar peças, a fazer ajustes, a instalar ou a remover lâminas ou quando não estiver em utilização. Desligar a ferramenta irá prevenir o arranque accidental que poderia causar graves lesões.

Português

CORTE GERAL

Ver figura 4.

Pouse a parte frontal da base da serra na peça de trabalho e alinhe a ponta da lâmina com a linha na sua peça. Verifique que o cabo de alimentação não está ao alcance da lâmina de serra e fora da linha de corte. Ligue a sua serra e mova-a para frente sobre a superfície de trabalho. Aplique pressão descendente para manter a serra estável e apenas a pressão suficiente para a frente para manter a lâmina a cortar.

AVISO

Não force a sua serra. Forçar a sua serra pode provocar o sobreaquecimento do motor e quebrar as lâminas de serra.

MOVIMENTO ORBITAL

Ver figura 4.

Alâmina da serra corta efectuando um movimento pendular. Esta função é ajustável e permite um corte mais rápido e mais eficaz. Com um movimento orbital, a lâmina realiza cortes para cima e não para baixo.

- Devem ser utilizadas configurações superiores (H) quando estamos a realizar um corte rápido num material macio.
- Devem ser utilizadas configurações inferiores (L) quando cortar materiais com maior resistência.

CORTE RECTO

Ver figura 4.

Um corte recto pode ser realizado fixando uma peça de madeira ou de ponta recta à peça de trabalho e guiando a extremidade da sua serra contra ela. Realize o corte apenas numa direcção, não cortar metade para completar o corte da extremidade oposta.

CORTE DE ROLAGEM

Ver figura 5.

Podem ser feitos cortes de rolagem com a sua serra, orientando a direcção do corte com pressão aplicada na peça.

AVISO

Uma pressão lateral excessiva na lâmina pode resultar em lâminas partidas ou danificar o material a ser cortado.

CORTE ANGULAR (CORTE EM BISEL)

Ver figura 6.

Ângulos de corte em bisel podem ser ajustados de 0° a 45° para a direita ou esquerda. Ângulos para cortes de 0° a 45° em incrementos de 22,5° são marcados numa escala em ambos os lados esquerdo e direito da base.

A utilização de um transferidor é recomendada quando são necessários cortes precisos.

AJUSTAR O ÂNGULO

Ver figura 6.

- Solte a base mantendo o parafuso com a chave-inglesa até a base poder ser movida.
- Deslize a base ligeiramente para a frente para libertar a base da guia de protecção do motor.
- Alinha a marca na base do ângulo desejado com a extremidade da estrutura do motor.
- Quando o ângulo desejado for atingido, deslize a base para trás até à guia sobre a caixa de motor alinhar com a abertura adequada na parte traseira da base.
- Posicione o suporte para o guia de cilindro de tal modo que o cilindro da guia fique de frente para a parte traseira da lâmina da serra. São possíveis cortes precisos apenas quando o cilindro de guia é apertado fortemente contra a parte traseira da lâmina da serra.
- Volte a apertar a base fixando o parafuso com a chave-inglesa para proteger a base.

PARA REALIZAR UM CORTE PRECISO

Ver figura 7.

AVISO

Para evitar a perda de controlo, lâminas quebradas ou danos no material a cortar, deve ter sempre muito cuidado ao fazer cortes. Não recomendamos corte de precisão de materiais com excepção da madeira.

- Marque claramente a linha de corte sobre a peça.
- Defina o ângulo de corte a 0°.
- Incline a sua serra para a frente para que ela assente na extremidade frontal da base e para que a lâmina não entre em contacto com a peça quando a serra estiver ligada.
- Verifique se que a lâmina está dentro da área a ser cortada.
- Ligue a sua serra utilizando a alta velocidade e baixe lentamente a lâmina até que esta comece a cortar a madeira.
- Continue a baixar a lâmina através da peça a trabalhar

Português

até que a base fique assente contra a peça e em seguida mova a serra para a frente para terminar o recorte interior.

- Use apenas a lâmina de 7 dentes por polegada para este tipo de corte.

CORTE DE METAL

Muitos tipos de metais podem ser cortados com a sua serra. Tenha cuidado para não torcer ou dobrar as lâminas. Não force a lixadeira.

Se a lâmina emperra ou vibra excessivamente, use uma velocidade superior ou uma lâmina com dentes finos. Se a lâmina aquece excessivamente, utilize a velocidade mais baixa. Se os dentes da lâmina ficam preenchidos ou entupidos no corte de metais macios, tais como o alumínio, usa-se uma lâmina de dente ásperos ou a velocidade mais baixa. Recomendamos a utilização de óleo no corte de metais para manter as lâminas frias, aumentar a acção de corte e prolongar a vida da lâmina. Fixe a peça firmemente e corte perto do ponto de fixação para eliminar qualquer vibração da peça de trabalho ao ser cortada.

Quando cortar barras, tubos ou ângulos de ferro, realize o trabalho num torno se possível e aproxime a serra ao torno. Para cortar chapas finas, aperte-as entre duas placas de madeira ou de contraplacado e corte-as juntas para evitar as vibrações e os rasgos de material. Isto permitirão corte perfeito e preciso da placa. Prepare o seu padrão ou linha de corte na parte superior da "sanduíche".

⚠ Importante!

Quando cortar metal, mantenha a parte da barra de serra exposta limpa e livre de chapas de metal, limpando frequentemente com um pano oleoso. Tenha muito cuidado na eliminação do pano engordurado após a conclusão do trabalho para evitar potenciais riscos de incêndio.

GUIA DE CORTE PARALELO

Ver figura 9.

Um guia de extremidade encontra-se disponível para ser utilizado com a sua serra e pode ser utilizado para marcar cortes transversais e cortes de fenda.

PARA INSTALAR:

- Desligue a sua serra.

⚠ AVISO

Se a lixadeira não estiver desligada da corrente, pode ocorrer um arranque por descuido e provocar ferimentos graves.

- Insira o braço da borda do guia através dos dois orifícios na base da sua serra.
- Ajuste o guia da extremidade para a largura desejada e bloqueie no sítio com o parafuso do guia da extremidade.

⚠ AVISO

Ao realizar a manutenção utilize apenas peças de substituição idênticas. O uso de quaisquer outras peças pode criar perigo ou causar danos ao aparelho.

PARA LIGAR O SISTEMA DE EXTRAÇÃO DE POEIRA (NÃO INCLUIDO)

- Desligue a ferramenta.

⚠ AVISO

Se a serra não estiver desligada da corrente, pode ocorrer um arranque por descuido e provocar ferimentos graves.

- Conecte o bocal do sistema colector de pó à porta de pó.

LUZ AVISADORA DE LIGAÇÃO

A ferramenta está equipada com uma luz avisadora de ligação que acende quando a ferramenta está ligada. Esta luz avisa o utilizador que a ferramenta se encontra ligada à corrente e que entrará em funcionamento assim que premir o interruptor.

MANUTENÇÃO

INSTRUÇÕES DE ORDEM GERAL

Todas as outras peças representam uma importante parte do sistema de isolamento de classe II e devem ser assistidas apenas por um técnico de assistência qualificado.

Evite usar solventes ao limpar as peças de plástico. A maioria dos plásticos é susceptível a danos provocados por diversos tipos de solventes comerciais. Use panos limpos para remover a sujidade, a poeira, o óleo, a gordura, etc.

Português

⚠ AVISO

Os elementos de plástico nunca devem entrar em contacto com líquido de travões, gasolina, produtos à base de petróleo, óleos penetrantes, etc. Estassubstâncias contêm produtos químicos que podem danificar, enfraquecer ou destruir o plástico.

Verificou-se que as ferramentas eléctricas são sujeitas a desgaste acelerado e a possível falha prematura quando eles são utilizados em automóveis desportivos, gesso ou barcos de fibra de vidro.

Os pedaços e lascas dessas matérias são altamente abrasivos para as partes das ferramentas eléctricas, como rolamentos, pincéis, comutadores, etc. Por conseguinte, a utilização prolongada desta ferramenta em fibra de vidro, painéis de revestimento, massa de reboco ou gesso é fortemente desaconselhada. Durante qualquer utilização destes materiais, é extremamente importante que a ferramenta seja limpa frequentemente soprando com um jacto de ar.

LUBRIFICAÇÃO

Todos os rolamentos desta ferramenta estão lubrificados com um montante suficiente de lubrificante de elevado nível, de acordo com a duração de vida da unidade em condições normais de funcionamento. Por conseguinte, não requer nenhuma lubrificação suplementar.

⚠ ATENÇÃO

Mantenha os cabos de extensão fora da área de corte e posicione o cabo de modo a que ele não seja apanhado pelo gancho, ferramentas, etc., durante a operação de corte.

⚠ AVISO

Verifique os cabos de extensão antes de cada utilização, se estiverem danificados, substitua-os de imediato. Nunca utilizar uma ferramenta com um cabo danificado, uma vez que tocar na área danificada pode provocar choque eléctrico, resultando em ferimentos graves.

Os cabos de extensão adequados para utilização com a sua serra encontram-se disponíveis no seu centro de assistência mais próximo.

⚠ AVISO

Use sempre óculos de protecção ou óculos de segurança com protecções laterais durante a operação da ferramenta eléctrica ou quando estiver a levantar poeira no ar. Caso a operação seja poeirenta, use também uma máscara contra o pó.

PROTECÇÃO DO AMBIENTE

Recicle os materiais em vez de pô-los directamente no lixo doméstico. Para proteger o ambiente, a ferramenta, os acessórios e as embalagens devem ser seleccionados.

SÍMBOLO

Alerta de Segurança

V

Volts

Hz

Hertz

~

Corrente alterna

W

Watts

n_0

Velocidade em vazio

min^{-1}

Número de rotações ou movimentos por minuto



Capacidade de corte máx. em madeira



Conformidade CE



Isolamento duplo



Use protecção para os ouvidos



Use protecção para os olhos



Agradecemos que leia atentamente as instruções antes de iniciar a máquina.



Os aparelhos eléctricos antigos não devem ser eliminados juntamente com o lixo doméstico. Recicle onde existem instalações para o efeito. Verifique com as suas Autoridades Locais ou revendedor para obter informações sobre reciclagem.

Dansk

BESKRIVELSE

1. Start-stopknap
2. Låseknap
3. Klingeskærm
4. Bundplade
5. Hak
6. Savklinge
7. Sugedyse
8. Styrehjul
9. Sprække
10. Parallelsavestyr
11. Parallelsavestyrets låseskruer
12. Klingehurtigspændegreb
13. Kontrollampe for strømtilslutning
14. Holderen
15. Skruer
16. Hastighedsvariator
17. Anordning til indstilling af pendulbevægelse
18. Klingeopbevaringsrum

SÆRLIGE SIKKERHEDSREGLER

- Hvis der ophvirvles støv under arbejdet, bæres også støvmaske.
- Vent til klingen stopper, inden du sætter værktøjet ned. En utildækket klinge kan gribe fat i overfladen med tab af kontrol og alvorlig personskade til følge.
- Hold udelukkende værktøjet de isolerede gribesteder ved arbejde på flader, hvor der kan ligge el-ledninger skjult, eller når den strømførende ledning kan komme til at befinde sig i værktøjets arbejdsfelt. Ved kontakt med strømførende ledninger kan metaldelene lede strømmen og give elektrisk stød.
- Hvis strømforsyningskablet beskadiges, skal det udskiftes af producenten eller på et autoriseret servicecenter for at undgå risici.

SPECIFIKATIONER

Spænding	230 V ~ 50 Hz
Effekt	600 W
Slag pr. minut	800 - 3000 min ⁻¹
Slaglængde	19 mm
Største savekapacitet	
Træ	70 mm
Stål	6 mm

FUNKTIONER

LÆR SAVEN AT KENDE

Inden saven tages i brug, skal man gøre sig fortrolig med alle betjeningsfunktioner og sikkerhedskrav.

ELEKTRISK TILSLUTNING

Saven har en præcisionsbygget elmotor. Den må kun sluttes til en strømkilde af den type, der fremgår af mærkepladen. Dette værktøj må ikke betjenes med jævnstrøm (DC). Et betydeligt spændingsfald vil bevirke effekttab og overophedning. Hvis værktøjet ikke vil starte, når det er sluttet til en lysnetkontakt, skal man dobbelttjekke strømforsyningen.

▲ ADVARSEL

Man må på intet tidspunkt forfalde til uforsigtighed under arbejdet, blot fordi man føler sig fortrolig med værktøjet. Glem aldrig, at man blot skal være uopmærksom en brøkdæl af et sekund for at komme alvorligt til skade.

BETJENING

START-STOPKNAP

Se figur 1.

- Man tænder saven ved at trykke kontakten ind.
- Sluk saven ved at udløse udløsekontakten.

LÅSEKNAP

Se figur 1.

Saven har en låsefunktion, som er praktisk til kontinuerlig skæring i længere perioder. Låsning sker ved at trykke på udløsekontakten, pres den ind og hold låseknappen på siden af håndtaget, og slip derefter udløsekontakten. Udløs låseknappen, og saven starter.

Man deaktiverer låsen ved at trykke kontaktudløseren ind og slippe den.

Hvis man har låsefunktionen aktiveret under brug, og strømmen afbrydes til saven, skal man straks deaktivere låsefunktionen.

▲ ADVARSEL

Inden saven sluttes til strømforsyningen, skal man altid huske at sikre sig, at låsefunktionen ikke er aktiveret (udløsekontakten trykkes ind og slippes). Gør man ikke det, risikerer man at starte saven utilsigtet med evt. alvorlige personskader til følge. Ligeledes bør saven ikke låses i "start" stilling ved opgaver, som kræver hyppige skift mellem stop og start.

Dansk

MONTERING AF KLINGER

Se figur 3.

- Træk værktøjets stik ud af stikkontakten.

⚠ ADVARSEL

Hvis stikket ikke er trukket ud af stikkontakten, kan saven starte ved et uheld, og man kan komme alvorligt til skade.

- Vend værktøjet på hovedet.
- Drej hurtigudløsningshåndtaget mod uret, og hold det fast.
- Indsæt savklingen i rillen i rulleføringen, og kontrollér, at savklingsens ryg er ordentligt positioneret i rillen.

BEMÆRK: Der kan kun bruges savklinger med T-fæste.

- Skub savklingen så langt som muligt ind i klingespænderen.
- Udløs hurtigudløsningshåndtaget.

⚠ ADVARSEL

Bær altid sikkerhedsbriller, evt. med sideskjolde, for at undgå evt. alvorlige personskader. Hold hænder og fingre på afstand af motorhuset og klingespænderen, og før ikke hånden ind under emnet, mens klingen saver.

⚠ ADVARSEL

Brug ikke saven uden korrekt monteret sikkerhedsskærm for at undgå alvorlige personskader.

VARIABEL HASTIGHED

Se figur 8.

Saven har en variabel hastighedskontrolvælger, med hvilken operatøren kan kontrollere og indstille hastigheden og ydelsesgrænserne. Savens hastighed og ydelse kan øges eller reduceres ved at dreje den variable hastighedskontrolvælger i pilens retning.

BEMÆRK: Hold saven i normal driftsstilling, og drej hastighedsvariatoren mod uret for at øge savens hastighed og kraft. Drejese med uret for at reducere hastighed og ydelse.

Hvis man ønsker at låse kontakten i en given hastighed, trykker man udløsekontakten ind, holder låseknappen inde, og slipper udløsekontakten. Herefter indstilles den variable hastighedskontrolvælger, til den ønskede hastighed er nået.

Undgå at køre saven med lav hastighed i længere tid ad gangen. Kørsel med lav hastighed under konstant brug kan bevirke, at saven bliver overophedet. Hvis det skulle ske, sættes saven til at arbejde ubelastet på max. hastighed for at køle af.

Følgende retningslinjer kan bruges til beregning af den rigtige hastighed til forskellige anvendelsesformål:

- **LOW** hastighed anvendes, når der kræves minimal hastighed og ydelse til fx start af snit.
- **MEDIUM** hastighed er velegnet til skæring af hårde materialer, plast og laminater.
- **HIGH** hastighed giver de bedste resultater, når der kræves maksimal ydelse, fx til savning i træ. Bløde metaller såsom aluminium, messing og kobber kræver også høj hastighed.

KLINGERUM

Se figur 2.

En praktisk egenskab ved saven er klingerummet. Rummet er bag støvsugerdysen. Det er praktisk til opbevaring af ekstra klinger, når saven ikke er i brug.

- **Åbning:** Træk døren ned med (tommel)fingeren.
- Anbring klingerne i klingerummet.
- **Lukning:** Skub døren op med (tommel)fingeren.

⚠ ADVARSEL

Indsæt ikke savklingen i udluftningshuller, da den risikerer at komme i kontakt med elektrisk ledende dele og give elektrisk stød med personskader til følge.

⚠ ADVARSEL

Saven må aldrig slutes til strømforsyningen, mens man er i færd med at samle dele, foretage justeringer, montere eller udtage klinger, eller når den ikke er i brug. Ved at afbryde forbindelsen til strømforsyningen forhindrer man utilsigtet start af produktet, hvilket kan medføre alvorlige personskader.

GENEREL SKÆRING

Se figur 4.

Lad det forreste af savens fodplade hvile på emnet, og indjustér klingens skærekant i forhold til linjen på emnet. Kontrollér, at elledningen ikke er i vejen for savklingen og ikke i savelinjen. Start saven, og kød den fremad på emneoverfladen. Pres nedad for at holde saven rolig, og pres kun så meget fremad, at klingen skærer i materialer.

Dansk

⚠ ADVARSEL

Tving aldrig savnen. Hvis savnen tvinges, risikerer man at overophede motoren og knække savklingerne.

ORBITAL BEVÆGELSE

Se figur 4.

Klingen saver i pendulbevægelse. Denne funktion kan indstilles og sikrer et hurtigere og mere effektivt snit. Orbital bevægelse betyder, at klingen skærer igennem emnet i opslaget uden at trække igennem emnet i nedslaget.

- Man bør bruge højere indstillinger (H) til hurtig savning i blødt materiale.
- Man bør bruge lavere (L) indstillinger til skæring af materialer med mere modstand.

LIGE SNIT

Se figur 4.

Man kan fremstille et lige snit ved at spænde et stykke træ eller en retskinne fast til emnet og føre savens kant langs denne. Udfør kun snittet i én retning; skær ikke halvvejs ind for så at gøre snittet færdigt fra den anden side.

DEKUPERING

Se figur 5.

Man kan udføre dekupering med savnen ved at styre savretningen ved at presse på håndtaget.

⚠ ADVARSEL

Hvis klingen udsættes for kraftige sidepåvirkninger, risikerer man at knække klingen og ødelægge emnematerialet.

VINKELSKÆRING (SMIGSKÆRING)

Se figur 6.

Smigskæringsvinkler kan indstilles fra 0° til 45° højre eller venstre. Snitvinkler fra 0° til 45° i inkrementer a 22,5° er markeret på en skala på både venstre og højre side af fodpladen.

Når der kræves præcise snit, anbefales brug af vinkelmåler.

INDSTILLING AF VINKLEN

Se figur 6.

- Løsn fodpladens holdeskruer med nøglen, til fodpladen kan flyttes.
- Skub fodpladen en smule frem, så den løsnes fra tappen på motorhuset.

- Mærket på fodpladen svarende til den ønskede vinkel indjusteres i forhold til motorhusets kant.
- Når den ønskede hastighed er nået, kører man fodpladen tilbage, til tappen på motorhuset passer med det passende hak bag i fodpladen.
- Anbring holderen til rulleføringen således, at føringsrullen vender ind mod savklingens ryg. Præcise snit er kun mulige, hvis føringsrullen ligger tæt ind til savklingens ryg.
- Spænd atter fodpladens holdeskruer til med nøglen, så fodpladen fastspændes.

FREMSTILLING AF ET LOMMESNIT

Se figur 7.

⚠ ADVARSEL

Vær altid ekstremt forsigtig under udførelse af lommensnit, så du ikke mister kontrollen, knækker klingerne eller ødelægger emnematerialet. Vi anbefaler ikke lommensnit i andre materialer end træ.

- Markér savelinjen tydeligt på emnet.
- Sæt snitvinklen til 0°.
- Vip savnen forover, så den hviler på fodpladens forkant, og så klingen ikke kommer i kontakt med emnet, når savnen tændes.
- Kontrollér, at klingen er inden for det område, der skal skæres.
- Start savnen med høj hastighed, og sænk langsomt klingen ned i emnet, til den skærer igennem træet.
- Før klingen videre ned gennem emnet, til bundpladen hviler fladt på emnet, og skub savnen fremad for at afslutte det indvendige snit.
- Til denne type snit må der kun bruges klinger med 7 tænder pr. Tomme.

METALSKÆRING

Der kan saves i mange slags materialer med savnen. Pas på ikke at vride eller bukke klingerne. Pres aldrig slibemaskinen.

Hvis klingen ryster eller vibrerer kraftigt, bruges en mere fintandet klingen eller højere hastighed. Hvis klingen bliver meget varm, reduceres hastigheden. Hvis klingetænderne bliver fyldt eller tilstoppet under savning i bløde materialer som fx aluminium, bruges en mere grovtandet klinge eller lavere hastighed. Vi anbefaler brug af olie til skæring af materialer for at holde klingen kølig, øge skærebevægelsen og forlænge klingens levetid. Emnet skal spændes ordentligt fast, og der skal skæres tæt på fastspændingspunktet for at undgå evt. vibrationer i emnet.

Dansk

Ved skæring af vandledninger, rør eller vinkeljern skal emnet så vidt muligt fastspændes i en skruestik, og der skal saves tæt på skruestikken. Ved savning af tynde metalplader spændes de fast mellem to træ- eller krydsfinérplader, som så saves med samtidig for at forhindre vibrationer og flænger i metallet. Derved opnås et rent pænt snit i materialet. Anbring dit mønster eller saveplanen oven på "sandwichen".

▲ Vigtigt!

Ved skæring af metal skal den udsatte del af savsværdet holdes ren og fri for metalpåner ved hyppigt at tørre disse bort med en olievædet klud. For at udelukke en potentiel brandfare skal man være ekstremt forsigtig ved bortskaffelse af olieklude efter en afsluttet arbejdsopgave.

PARALLELSAVESTYR

Se figur 9.

Til saven fås et kantstyr, som kan bruges til udførelse af tvær- og længdesnit.

MONTERING:

- Træk savens stik ud af stikkontakten.

▲ ADVARSEL

Hvis stikforbindelsen ikke afbrydes, kan slibemaskinen starte ved et uheld og forårsage alvorlige ulykker.

- Indsæt kantstyrets arm gennem de to sprækker i savens fodplade.
- Indstil kantstyret til den ønskede bredde, og lås det fast med kantstyr-skruen.

▲ ADVARSEL

I forbindelse med servicearbejde må der kun bruges originale reservedele. Brug af alternative dele kan forårsage farlige situationer eller ødelægge produktet.

TILSLUTNING AF STØVUDSUGNINGSSYSTEM (MED-FØLGER IKKE)

- Træk værktøjets stik ud af stikkontakten.

▲ ADVARSEL

Hvis stikket ikke er trukket ud af stikkontakten, kan saven starte ved et uheld, og man kan komme alvorligt til skade.

- Forbind støvopsamlingsystemets dyse til støvporten.

KONTROLLAMPE FOR STRØMTILSLUTNING

Dette værktøj har en kontrollampe for strømtilslutning, som lyser, når værktøjets stik er sat i stikkontakten. Denne advarer brugeren om, at der er strøm på værktøjet, og at den starter, så snart knappen trykkes ind.

VEDLIGEHOLDELSE

ALMINDELIGE REGLER

Alle øvrige dele er en vigtig del af klasse II-isolationssystemet og bør kun serviceres af kvalificerede serviceteknikere.

Undgå brug af opløsningsmidler til rengøring af plastdele. De fleste plasttyper tåler ikke forskellige typer opløsningsmidler i handlen. Snavs, støv, olie, fedt, mv., fjernes med rene klude.

▲ ADVARSEL

Plastelementer må aldrig komme i berøring med bremsevæske, benzín, olie- eller petroleumsbaserede produkter, rustløsende olie o.l. Disse kemiske produkter indeholder stoffer, som kan beskadige, mørne eller ødelægge plastmaterialet.

Det har vist sig, at elværktøjer slides hurtigere og måske svigter før tiden, hvis de bruges på glasfiberbåde, sportsvogne, vægplader eller puds/gips.

Spånerne og slibestøvet fra disse materialer er meget abrasive for elektriske værktøjsdele såsom lejer, børster, kommutatorer, osv. Derfor frarådes det stærkt at anvende dette værktøj ilængere tid på glasfiber, beklædningsplader, puds og gipspartelmasse eller gips. Ved brug på disse materialer er det ekstremt vigtigt, at værktøjet renses hyppigt med trykluft.

SMØRING

Alle lejerne i dette værktøj er smurt for produktets levetid under normale driftsbetingelser med en tilstrækkelig mængde højkvalitetssmøremiddel. Det er derfor ikke nødvendigt med yderligere smøring.

▲ ADVARSEL

Forlængerledninger må ikke komme i nær skærområdet, og ledningen skal trækkes således, at den ikke hænger fast i tømmer, værktøj, osv., under savearbejdet.

⚠ ADVARSEL

Kontrollér forlængerledninger inden brug; er de beskadiget, skal de straks udskiftes. Brug aldrig værktøj med beskadiget ledning, da kontakt med det beskadigede område kan give elektrisk stød med alvorlig personskade til følge.

Forlængerledninger, der egner sig til saven, fås på nærmeste servicecenter.

⚠ ADVARSEL

Bær altid sikkerhedsbriller med sideskjalde under betjening af elværktøjet eller ved støv-ophvirvling. Hvis der ophvirvles støv under arbejdet, bæres også støvmaske.

MILJØBESKYTTELSE

Råmaterialerne skal genvindes og ikke bortkastes med almindeligt affald. Af hensyn til miljøet skal redskab, tilbehør og emballage sorteres.

SYMBOL

Sikkerheds Varsel

V Volt

Hz Hertz

~ Vekselstrøm

W Watt

no Tomgangshastighed

min⁻¹ Antal omdrejninger eller bevægelser pr.



Største savekapacitet i træ



CE Overensstemmelse



Dobbelt-isolering



Benyt høreværn



Benyt øjenværn



Læs venligst vejledningen grundigt igennem før maskinen tages i brug.



Elektriske affaldsprodukter bør ikke afskaffes sammen med husholdningsaffald. Genbrug venligst hvor faciliteterne tillader dette. Tjek med din lokale kommune eller forhandler for genbrugsråd.

Svenska

BESKRIVNING

1. Strömbrytare
2. Låsknapp
3. Skyddskåpa
4. Bottenplatta
5. Urtag
6. Sågblad
7. Sugmunstycke
8. Styrhjul
9. Öppning
10. Parallellanslag
11. Klämskruv för parallellanslaget
12. Spak för fastsättning av sågklingan
13. Indikator för nätanslutning
14. Hållaren
15. Skruvar
16. Hastighetsvariator
17. Anordning för inställning av pendelrörelsen
18. Förvaringsfack för klingor

SPECIFIKA SÄKERHETSREGLER

- Använd en ansiktsmask om det dammar mycket.
- Vänta tills klingan har stannat innan du sätter ner maskinen. En synlig klinga kan haka fast i underlaget och leda till kontrollförlust och allvarlig skada.
- Håll i verktyget endast i de isolerade och halksäkra delarna då du arbetar på en yta som kan döjla elektriska ledningar eller då arbetet är sådant att nätsladden kan placeras i verktygets bana. Kontakt med kablar under spänning kunde överföra ström till metalldelar och förorsaka elstötar.
- För att minska risken får en skadad strömsladd endast repareras av tillverkaren eller ett auktoriserat servicecenter.

SPECIFIKATIONER

Spänning	230 V ~ 50 Hz
Effekt	600 W
Slag per minut	800 - 3000 min ⁻¹
Slaglängd	19 mm
Max. skärkapacitet	
Trä	70 mm
Stål	6 mm

FUNKTIONER

KÄNN TILL DIN SÅG

Bekanta dig med alla sågens funktioner och säkerhetskrav innan du använder den.

ELEKTRISKA ANSLUTNINGAR

Din såg har en precisionsbyggd elmotor. Den ska enbart anslutas till en spänningskälla som överensstämmer med märkplåten. Anslut inte den här produkten till likström (DC). Ett stort spänningsfall kan orsaka effektförlust och motorn kan överhettas. Om ditt verktyg inte fungerar normalt när den är ansluten till ett vägguttag, dubbelkontrollera strömförsörjningen.

⚠ VARNING

Tillåt dig inte att bli oförsiktig när du har bekantat dig med maskinen. Glöm inte att om du är ouppmärksam bara bråkdelen av en sekund kan du skada dig allvarligt.

ANVÄNDNING

STRÖMBRYTARE

Se bild 1.

- Tryck ned strömbrytaren för att sätta på din såg.
- Släpp upp avtryckaren för att stänga AV sågen.

LÅSKNAPP

Se bild 1.

Din såg är utrustad med en låsfunktion som låter dig låsa avtryckaren i ett lämpligt läge när du ska såga under en lång tid. Tryck in avtryckaren, tryck in och håll låsknappen som är placerad på sidan av handtaget och släpp upp avtryckaren för att låsa verktyget i aktuell hastighet. Sågen kommer att fortsätta efter att du har släppt låsknappen.

Tryck in avtryckaren och släpp upp den igen för att låsa upp.

Om du har låst avtryckaren och sågen kopplas bort från eluttaget måste avtryckaren genast låsas upp.

⚠ VARNING

Kontrollera alltid att avtryckaren inte är i låst position innan du kopplar in sågen i eluttaget (tryck in, och släpp upp, avtryckaren). Om du inte gör det kan oavsiktlig start av sågen ske vilket kan resultera i allvarlig skada. Läs inte heller sågen i påslaget läge, om du utför arbeten som kräver att sågen ofta stannas.

Svenska

FÖR ATT MONTERA SÄGBLAD

Se bild 3.

- Koppla bort verktyget från eluttaget.

⚠ VARNING

Om sågen inte är urkopplad kan den sättas i gång oavsiktligt och förorsaka allvarliga kroppsskador.

- Vänd verktyget upp och ned.
- Roterar snabbfästesspaken motsols och håll den på plats.
- Sätt in sågbladet i urfasningen på cylindern och kontrollera att baksidan av sågbladet sitter ordentligt i urfasningen.

NOTERA: Endast sågblad med koniskt fäste kan användas.

- Tryck in sågbladet i bladklämman så långt det går.
- Släpp upp snabbfästesspaken.

⚠ VARNING

Använd alltid säkerhetsglasögon med sidoglas eller skyddsglasögon för att undvika allvarlig skada. Håll händer och fingrar borta från motorchassiet och sågbladsklämman och sträck dig inte under sågen när sågbladet är i rörelse.

⚠ VARNING

För att undvika allvarlig skada ska du inte använda sågen utan att ha säkerhetsskyddet på plats.

VARIABEL HASTIGHET

Se bild 8.

Din såg har en variabel hastighetsinställning som låter dig kontrollera och justera hastigheten och effekten. Hastigheten och effekten hos din såg kan ökas eller minskas genom att rotera hastighetsvredet enligt pilarna.

NOTERA: Håll sågen i normalt funktionsläge och vrid hastighetsvariatorn motsols för att öka sågens hastighet och effekt. Vrid medsols för att minska hastighet och effekt.

Du kan låsa avtryckaren vid en viss hastighet genom att hålla avtryckaren intryckt samtidigt som du trycker in, och håller kvar, låsknappen och släpper avtryckaren. Justera nu hastighetsvredet tills önskad hastighet uppnås.

Undvik att köra sågen på låga varvtal under längre perioder. Om du kör sågen vid låga hastigheter och konstant belastning kan sågen överhettas.

Ha i så fall sågen att rotera på tomgång i maximal hastighet, för att kyla av den.

Följande riktlinjer kan användas för att avgöra rätt hastighet för olika tillämpningar:

- **LOW**-inställningen är perfekt när lägsta hastighet och effekt behövs, exempelvis när du påbörjar ett snitt.
- **MEDIUM**-inställningen är lämplig vid sågning i hårda material, plast och laminat.
- **HIGH**-inställningen ger bäst resultat när maximal kraft behövs, exempelvis vid sågning i trä. Mjuka metaller som aluminium, mässing och kopparskräp kräver också höga hastigheter.

SÄGBLADSFÖRVARING

Se bild 2.

En bekväm funktion hos din såg är förvaringen av sågblad. Detta fack är placerat bakom sugmunstycket. Det är bra för att förvara extra sågblad när de inte används.

- **För att öppna:** Dra ner dörren med din tumme eller ditt finger.
- Placera bladen i bladförvaringsområdet.
- **För att stänga:** Tryck dörren uppåt med din tumme eller ditt finger.

⚠ VARNING

Sätt inte in sågbladet i ventilationshålen eftersom den kan komma i kontakt med elektriskt ledande delar och orsaka en elektrisk stöt som kan resultera i allvarlig skada.

⚠ VARNING

Din såg ska aldrig vara ansluten till ett eluttag när du monterar delar, utför justeringar, monterar eller plockar bort blad eller när den inte används. Om du kopplar ur verktyget från eluttaget så förhindrar du oavsiktligt start som kan resultera i allvarliga skador.

GENERELL SÄGNING

Se bild 4.

Vila fronten av sågplattan mot arbetsstycket och rikta in snittkanten på sågbladet med markeringen på ditt arbetsstycke. Kontrollera att strömladdan inte ligger ivägen för sågbladet eller snittet. Starta din såg och rör den framåt på arbetsstyckets yta. Tryck nedåt på sågen för att hålla den stadig och tryck den bara tillräckligt mycket framåt för att bladet ska greppa.

⚠ VARNING

Pressa inte sågen. Om du pressar sågen kan motorn överhettas och sågbladen kan gå sönder.

RUNDGÅENDE RÖRELSE

Se bild 4.

Sågklingan arbetar med en pendelrörelse. Denna funktionär inställbar och möjliggör ett snabbare och mer effektivt arbete. Den rundgående rörelsen gör att sågbladet skär i ditt arbetsstycke på vägen upp samtidigt som det inte drar i arbetsstycket på vägen ned.

- Högre inställning (H) ska användas vid snabb sågning i mjukt material.
- Lägre (L) inställning bör användas när du sågar i material med mer motstånd.

RAKT SNITT

Se bild 4.

Ett rakt snitt kan utföras genom att spänna fast ett trästycke eller en rak kant på arbetsstycket och låta kanten på sågen glida mot det. Gör snittet från endast ett håll; såga inte halvvägs från båda hållen.

FRIHANDSSÅGNING

Se bild 5.

Frihandssågning kan utföras av din såg genom att trycka sågen i snittriktningen genom att trycka på handtaget.

⚠ VARNING

Om du trycker för mycket i sidled kan sågbladet gå sönder och arbetsmaterialet skadas.

VINKELÅGNING (FASNING)

Se bild 6.

Fassnittsvinklar kan justeras från 0° till 45° åt både höger och vänster. Sågvinklar för sågning mellan 0° och 45° är markerade i 22,5° intervall på både den vänstra och den högra sidan av plattan.

Det är rekommenderat att använda en gradskiva när precisa snitt är ett krav.

JUSTERA VINKELN

Se bild 6.

- Lossa skruven som håller plattan med en skiftnyckel tills plattan kan tas bort.
- Skjut fram plattan något för att lossa den från fliken på motorchassiet.
- Rikta in markeringen i den valda vinkeln med kanten

på motorchassiet.

- Skjut tillbaka plattan, tills fliken på motorchassiet klickar i lämpligt jack i bakkant på plattan, när den önskade vinkeln är uppnådd.
- Placera hållaren för cylindern på ett sådant sätt att cylindern är riktad mot sågbladets baksida. Precisa snitt är möjliga endast då cylindern är riktad tätt mot baksidan av sågbladet.
- Dra åt plattans skruv med skiftnyckeln för att sätta fast plattan.

FÖR ATT GÖRA EN GENOMSÅGNING

Se bild 7.

⚠ VARNING

Använd alltid extrem försiktighet när du gör genomsågningar för att undvika att tappa kontrollen, förstöra sågbladen eller materialet som du sågar igenom. Vi rekommenderar inte att du gör genomsågningar i andra material än trä.

- Markera tydligt snittlinjen på arbetsstycket.
- Ställ in snittvinkeln till 0°.
- Luta din såg framåt så att den vilar på främre delen av plattan så kommer inte bladet i kontakt med arbetsstycket när sågen sätts på.
- Kontrollera att sågbladet är inuti området som ska sågas.
- Starta din såg på hög hastighet och sänk långsamt ned sågbladet i arbetsstycket tills sågbladet skär igenom träet.
- Fortsätt att föra ner sågklingan genom arbetsstycket tills bottenplattan ligger platt mot det sisträmnda och flytta sedan sågen framåt för att avsluta den inreskärningen.
- Använd endast blad med 7 tänder per tum för den här typen av snitt.

METALLÅGNING

Du kan göra snitt i många typer av metall med din såg. Var försiktig så att du inte vrider eller bänder sågbladen. Tryck framför allt inte för hårt på slipmaskinen.

Använd ett sågblad med finare tänder, eller en högre hastighet, om sågbladet klappar eller vibrerar väldigt mycket. Använd lägre hastigheter om sågbladet överhettas. Använd längre hastighet, eller ett sågblad med grövre tänder, om tänderna blir igensatta när du sågar i mjukt material, exempelvis aluminium. Vi rekommenderar att du använder olja när du sågar i metall för att hålla bladet svalt, öka sågförmågan och förlänga bladets

Svenska

livslängd. Spänn fast arbetsstycket ordentligt och säga nära fastspänningspunkten för att begränsa vibrationerna i arbetsstycket.

Spänn fast arbetsstycket i ett skruvstäd om det är möjligt och säga nära skruvstället när du sägar i ledning, rör eller vinkeljärn. Vid sågning i tunna plåtar, spänn fast dem mellan två plattor av trä eller kryssfäneroch säga dem tillsammans, för att undvika vibrationer och sönderbrytning av materialet. Detta möjliggör ett rentoch snyggt snitt i materialet. Markera ditt sågspår ovanpå "smörgåsen".

▲ Viktigt!

När du sägar i metall ska den exponerade delen av sågstängens hållas fri från metalldamm genom att torka den ren med en oljig handduk med jämna mellanrum. Var extremt försiktig när du gör dig av med oljiga kläder eftersom de kan fatta eld.

PARALLELLANSLAG

Se bild 9.

Ett anslag som du kan använda för att göra tvärsnitt och klyvningar finns att köpa.

MONTERA:

- Koppla bort sågen från eluttaget.

▲ VARNING

Om slipmaskinen inte är urkopplad, kan den sättas i gång oavsiktligt och förorsaka allvariga kroppsskador.

- Sätt in ena sidan av anslaget genom de två hålen i plattan på din såg.
- Justera anslaget till önskad bredd och lås fast det med anslagskruven.

▲ VARNING

Använd endast identiska originaldelar när du servar maskinen. Användning av andra delar kan orsaka fara eller produktskada.

FÖR ATT ANSLUTA ETT DAMMUPPSAMLINGSSYSTEM (INTE INKLUDERAT)

- Koppla bort verktyget från eluttaget.

▲ VARNING

Om sågen inte är urkopplad kan den sättas i gång oavsiktligt och förorsaka allvariga kroppsskador.

- Sätt fast munstycket till dammupsamlingssystemet på dammutblåset.

INDIKATOR FÖR NÄTANSLUTNING

Det här verktyget är utrustat med en indikator för nätanslutning som tänds då verktyget ansluts till nätet. Detta gör användaren uppmärksam på att verktyget är spänningsatt och att det sätts i gång så fort strömbrytaren trycks ned.

UNDERHÅLL**ALLMÄNNA FÖRESKRIFTER**

Alla andra delar utgör en viktig del i klass II-isoleringsystemet och får endast servas av en kvalificerad tekniker.

Undvik att använda lösningsmedel vid rengöring av plastdelar. De flesta plaster kan skadas av olika typer av kommersiella lösningsmedel. Använd en ren och torr trasa för att ta bort smuts, damm, olja, fett, osv.

▲ VARNING

Se till att plastdelarna aldrig kommer i kontakt med bromsvätska, bensin, produkter med petroleumbas, penetrerande oljor, osv. Dessa ämnen innehåller kemiska produkter som kanskada, försvaga eller förstöra plasten.

Det har framkommit att elektroniska verktyg slits ut snabbare och kan gå sönder tidigare om de används på fiberglassbåtar, sportbilar, wallboard och gips.

Flisorna och dammet från dessa material verkar väldigt slipande på delar i elektriska verktyg, exempelvis kullager, borstar, strömomkastare, etc. Följaktligen avråder vi långvarig användning av dettaverktyg på glasfiber, beklädnadspaneler, ytbeläggning förgyllning eller gips. När du använder verktyget till något av dessa material är det extremt viktigt att verktyget rengörs regelbundet genom att spruta luft på det.

SMÖRJNING

Alla lager i det här verktyget är smörjda med tillräckligt mycket högkvalitativt smörjmedel för att räcka under maskinens hela livslängd, vid en normal användning. Därför behövs ingen ytterligaresmörjning.

▲ FÖRSIKTIGHET

Håll skarvsladdar borta från sågområdet och placera sladden så att den inte fastnar på träd, verktyg, etc. under sågning.

⚠ VARNING

Kontrollera förlängningssladdar innan varje användning. Byt ut dem omedelbart om de är skadade. Använd aldrig maskinen med en skadad kabel eftersom det skadade området kan ge en elektrisk stöt vid beröring vilket kan resultera i allvarlig personskada.

Förlängningssladdar som är lämpliga att använda tillsammans med din såg finns att köpa hos närmaste servicecenter.

⚠ VARNING

Använd alltid skyddsglasögon när du använder verktyget eller när du blåser damm. Använd en ansiktsmask om det dammar mycket.

MILJÖSKYDD

Råmaterialen bör återanvändas i stället för att kastas i hushållsavfallet. För att skona miljön ska verktyget, tillbehören och emballagen sorteras.

SYMBOL

Säkerhetsvarning

V Volt

Hz Hertz

~ Växelström

W Watt

no Tomgångshastighet

min⁻¹ Antal varv eller rörelser per minut



Max. skärkapacitet i trä



CE-konformitet



Dubbelisolering



Bär hörselskydd.



Använd skyddsglasögon



Läs instruktionerna ordentligt innan start av maskinen.



Gamla elektroniska produkter ska inte kastas med hushållsoporna. Återvinn där sådana faciliteter finns. Kontrollera med din lokala myndighet eller säljaren för att få återvinningstips.

Suomi

KUVAAUS

1. Katkaisin
2. Lukituspainike
3. Terän suojuks
4. Pohja
5. Lovi
6. Sahanterä
7. Imusuutin
8. Ohjausrulla
9. Lovi
10. Reunaohjain
11. Reunaohjaimen lukintaruuvi
12. Terän pikakiinnitysivu
13. Jännitteen merkivalo
14. Pidike
15. Ruuvit
16. Nopeusvariaattori
17. Heiluriliikkeen säätölaite
18. Terien säilytyslokero

ERITYISET TURVALLISUUSÄÄNNÖT

- Käytä lisäksi polynaamaria, jos työ on pölyistä.
- Odota, että leikkuri pysähtyy, ennen kuin lasket työkalun alas. Paljastettu leikkuri voi tarttua pintaan ja riittää laitteen hallinnasta ja siten aiheuttaa vakavan loukkaantumisen.
- Pidä työkalusta kiinni vain eristetyistä luistamattomista osista työskennellessäsi pinnalla, joka saattaa kätkeä sähköjohtoja tai milloin vaadittu työ edellyttää mahdollisesti sähköjohdon asettamista työkalun liikeradalle. Tällöin saatat menettää työkalun hallinnan ja aiheuttaa pomppauksen. Kosketus jännitteessä oleviin virtajohtoihin saattaa johtaa virran metalliosiin aiheuttaen sähköiskun.
- Jos virtajohto vioittuu, se on vaihdettava ainoastaan valmistajalla tai valtuutetussa huollossa, jotta vältetään vaaroilta.

TEKNISET TIEDOT

Jännite	230 V ~ 50 Hz
Teho	600 W
Iskua minuutissa	800 - 3000 min ⁻¹
Iskunpituus	19 mm
Maksimileikkukapasiteetti	
Puu	70 mm
Teräs	6 mm

OMINAISUUDET

TULLE SAHASI

Tutustu kaikkiin ominaisuuksiin ja turvallisuussääntöihin ennen sahan käyttöä.

SÄHKÖLIITÄNNÄT

Sahassa on täsmätyönä valmistettu sähkömoottori. Se tulee kytkeä ainoastaan sellaiseen virtalähteeseen, jonka tyyppi on nimetty luokituskilvessä. Älä käytä tätä laitetta tasavirralla (DC). Suuri jännitteen pudotus katkaisee virran ja aiheuttaa ylikuumentumista. Jos laite ei toimi kytkettyinä pistorasiaan, tarkista virtalähde uudelleen.

VAROITUS

Älä tule varomattomaksi sen takia, että tunnet laitteen. Muista aina, että hetken kestävä huolimattomuus voi johtaa vakavaan loukkaantumiseen.

OPERATION

KATKAISIN

Katso kuvaa 1.

- Saha käynnistyy kytkintä painamalla.
- Kytke saha OFF-asentoon vapauttamalla liipaisin.

LUKITUSPAINIKE

Katso kuvaa 1.

Sahassa on lukitus, josta on apua jatkuvassa, pitkäaikaisessa leikkaamisessa. Jos haluat lukita liipaisimen, paina liipaisinta ja pidä kahvan sivussa olevaa lukituspainiketta pohjassa ja vapauta liipaisin. Vapauta lukituspainike, ja saha jatkaa toimintaa.

Voit vapauttaa lukituksen painamalla liipaisinta ja vapauttamalla sen taas.

Jos lukitus on päällä käytön aikana ja saha irtoaa virtalähteestä, vapauta lukitus välittömästi.

VAROITUS

Tarkista aina ennen sahan kytkemistä virtalähteeseen, että se ei ole lukittu on-asentoon (paina liipaisinta ja vapauta se). Muutoin saha voi käynnistyä vahingossa ja aiheuttaa vakavia vammoja. Älä myöskään lukitse sahaa "käynnissä"-asentoon kun teet usein toistuvia keskeytyksiä kaipaavaa työtä.

TERIEN ASENTAMINEN

Katso kuvaa 3.

- Irrota laite sähköverkosta.

Suomi

VAROITUS

Jos sahaa ei ole irroitettu verkkovirrasta, epähuomiossa tapahtuva käynnistys voi aiheuttaa vakavia ruumiinvammoja.

- Käännä laite ylösalaisin.
- Kierrä pikavapautusvipua vastapäivään ja pidä sitä paikoillaan.
- Aseta sahanterä rullaohjaimen uraan ja varmista, että sen selkä istuu urassa asianmukaisesti.
HUOM: Voit käyttää ainoastaan T-vartisia sahanteriä.
- Paina sahanterä mahdollisimman syväälle teräpuristimeen.
- Vapauta pikavapautusvipu.

VAROITUS

Jotta välttyisit vakavalta vammalta, käytä aina konetta käyttäessäsi sivuilta suojattuja suojalaseja. Pidä kädet ja sormet kaukana moottorin kotelosta ja terän puristimesta äläkä kurota työkappaleen alle terän leikatessa.

VAROITUS

Jotta välttyisit vammalta, älä käytä sahaa ilman asianmukaisia suojaamia.

SÄÄDETTÄVÄ NOPEUS

Katso kuvaa 8.

Sahassa on nopeussäätö, jolla käyttäjä voi ohjata ja säätää nopeus- ja tehorojoja. Sahan nopeutta ja tehoa voidaan lisätä ja pienentää kiertämällä nopeussäädintä nuolten suuntaan.

HUOM: Pidä työkalua normaalissa käyttöasennossa ja käännä variaattoria vastapäivään kun haluat kohottaa sahan nopeutta ja tehoa. Käännä myötäpäivään, jos haluat vähentää nopeutta ja tehoa.

Jos haluat lukita liipaisimen tiettyyn nopeuteen, paina liipaisinta, paina lukituspainike pohjaan ja vapauta samalla liipaisin. Säädä seuraavaksi nopeussäädin haluamallasi nopeudelle.

Älä käytä sahaa hitaalla nopeudella pitkiä aikoja. Pitkällinen käyttö hitaalla nopeuksilla voi saada sahan ylikuumenemaan. Tässä tapauksessa käytä sahaa tyhjänä maksinopeudella sen jäähdyttämiseksi.

Nopeus voidaan määrittää eri käyttökohteissa seuraavien ohjeiden perusteella:

- **LOW**-nopeus on ihanteellinen, kun vaaditaan miniminopeutta ja -tehoa, kuten leikkausta aloitettaessa.
- **MEDIUM**-nopeus sopii koviin metalleihin, muovien ja laminaattien leikkaamiseen.
- **HIGH**-nopeusasetus tuottaa parhaat tulokset, kun vaaditaan maksimitehoa, kuten esimerkiksi puuta leikattaessa. Myös pehmeät metallit, kuten alumiini, messinki ja kupari, vaativat suurta nopeutta.

TERÄN SÄILYTYSTILA

Katso kuvaa 2.

Sahassa on kätevä säilytystila terille. Tämä säilytyslokero sijaitsee pölyn imuosuutimen takana. Siinä voidaan säilyttää sahanteriä, kun niitä ei käytetä.

- **Avaaminen:** Paina luukku alas sormella.
- Laita terät terän säilytystilaan.
- **Sulkeminen:** Paina luukku ylös sormella.

VAROITUS

Älä työnnä sahanteriä tuuletusaukkoihin, sillä se voisi koskettaa sähköosia ja aiheuttaa sähköiskun ja vakavan loukkaantumisen.

VAROITUS

Sahaa ei koskaan saa kytkeä pistorasiaan sitä koottaessa tai säädettäessä eikä teriä irrottaessa eikä silloin, kun sitä ei käytetä. Laitteen irrottaminen pistorasiasta estää sitä käynnistymättä vahingossa, jolloin välttyään mahdollisilta vakavilta vammoilta.

YLEINEN SAHAAMINEN

Katso kuvaa 4.

Aseta sahan alustan etuosa työkappaleen päälle ja kohdista terän leikkaava reuna työkappaleen viivan kanssa. Varmista, että virtajohto on poissa sahanterän tieltä ja leikkaulinjalta. Käynnistä saha ja työnnä sitä eteenpäin työpinnalla. Paina sahaa alaspäin, jotta se pysyisi vakaana, ja työnnä sitä eteenpäin vain sen verran, että terä jatkaa leikkaamista.

VAROITUS

Älä pakota sahaa. Sahan pakottaminen voi saada moottorin ylikuumenemaan ja rikkoa sahanterän.

YMPYRÄLIKE

Katso kuvaa 4.

Suomi

Sahan terä leikkaa heiluriliikkeen voimalla. Tätötoimintoa voidaan säätää ja se mahdollistaa nopeamman tehokkaamman leikkauksen. Kun leikkaat kaarevaa leikkausta, terä leikkaa työkalpaletta ylöspäin suuntautuvalla vedolla mutta ei alaspäin suuntautuvalla.

- Korkeampia asetuksia (H) tulee käyttää pehmeitä materiaaleja leikattaessa.
- Matalampia (L) asetuksia tulee käyttää leikattaessa vastustavampia materiaaleja.

SUORA LEIKKAUS

Katso kuvaa 4.

Suora leikkaus voidaan tehdä kiinnittämällä puunpala tai viivoitin työkalpaleeseen puristimilla ja ohjaamalla sahan reunaa sitä myöden. Leikkaa ainoastaan yhteen suuntaan; älä leikkaa puoliväliin ja lopeta leikkauستا toisesta suunnasta.

KAAREVA LEIKKAUS

Katso kuvaa 5.

Sahalla voidaan tehdä kaarevia leikkauksia ohjaamalla leikkauksen suuntaa kohdistamalla kahvaan painetta.

VAROITUS

Terään kohdistuva liiallinen sivuttainen voima voi rikkoa terän ja vioittaa leikattavaa materiaalia.

KULMALEIKKAUS (SÄRMÄLEIKKAUS)

Katso kuvaa 6.

Särmäleikkauksien kulmaa voidaan säätää välillä 0–45° oikealle tai vasemmalle. Alaosan vasemmalle ja oikealle puolelle on merkitty leikkuukulmat lukemasta 0° lukemaan 45° välein 22.5°.

Kun vaaditaan täsmällisiä leikkauksia, suositellaan käytettävän astelevyvä.

KULMAN SÄÄTÄMINEN

Katso kuvaa 6.

- Löysennä alustan kiinnitysruuvia kiintoavaimella siten, että alusta pääsee liikkumaan.
- Työnnä alustaa hieman eteenpäin siten, että se irtaota moottorin kotelon kielekkeestä.
- Kohdista haluamasi alustassa olevan kulman merkki moottorin kotelon reunan kanssa.
- Kun haluttu kulma on säädetty, työnnä alustaa taaksepäin siten, että moottorin kotelon kieleke osuu alustan takaosassa olevaan loveen.
- Aseta rullaohjaimen pidike siten, että rullaohjain tulee sahanterän selkää kohden. Leikkauksesta tulee

täsmällinen ainoastaan, kun rullaohjain on suoraan terän selkää vasten.

- Kiinnitä alusta kiristämällä sen kiinnitysruuvi uudelleen avaimella.

UPPOLEIKKAUS

Katso kuvaa 7.

VAROITUS

Jotta laite ei riistäydy hallinnasta, terät eivät katkea eikä leikattava materiaali vioitu, ole erittäin varovainen tehdessäsi uppoleikkauksia. Emme suosittele uppoleikkausta muilla materiaaleilla kuin puulla.

- Merkitse leikkuulinja selkeästi työkalpaleeseen.
- Aseta leikkuukulmaksi 0°.
- Kallista sahaa eteenpäin siten, että se lepää alustan etureunassa eikä terä kosketa työkalpaletta, kun saha on käynnissä.
- Varmista, että terä on leikattavan alueen sisäpuolella.
- Käynnistä saha suurella nopeudella ja laske terä hitaasti työkalpaleeseen, kunnes terä menee puun läpi.
- Jatka terän laskemista alas työkalpaleen läpi kunnes pohja lepää tasaisesti työkalpaleella ja siirrä sitten sahaa eteenpäin leikkauksen lopettelmiseksisisäpuolelta.
- Käytä tämän työtyypisiin leikkauksiin ainoastaan terää, jossa on 7 hammasta tuumalla.

METALLIN LEIKKAAMINEN

Sahalla voidaan leikata monenlaisia metalleja. Varo, ettet taivuta terä. Älä missään tapauksessa pakota hiomakonetta.

Jos terä tärisee tai värisee liikaa, käytä pienempihampaista terää tai suurempaa nopeutta. Jos terä kuumenee liikaa, käytä pienempää nopeutta. Jos sahan hampaat täytyvät tai tukkeutuvat pehmeitä metalleja, kuten alumiinia, leikattaessa, käytä karkeampihampaista terää tai matalampaa nopeutta. Suosittelemme, että metallia leikattaessa käytetään öljyä, jotta terä pysyy viileänä, leikkuutoiminta paranee ja terä kestää pitempään. Kiinnitä työkalpale tukevasti puristimella ja leikkaa puristuskohdan läheltä, jotta työkalpale ei tärjisi.

Kun leikkaat johdinta, putkea tai kulmarautaa, kiinnitä työkalpale ruuvipenkkiin ja sahaa läheltä ruuvipenkkiä, jos mahdollista. Kiristä ohuet levyt kahden puutaristivanerilevyn väliin ja sahaa niiden läpi, jotta välitysmateriaalin värinältä ja repeämiseltä. Tämä mahdollistaapuhintaan ja täsmällisen leikkuutuloksen saamisen. Piirrä leikkauksukuvia tai -viiva "voileivän" päälle.

Suomi

▲ Tärkeää!

Kun leikkaat metallia, pidä sahan levyn näkyvät osat puhtaina ja vapaina metallilastuista pyyhkimällä ne säännöllisesti öljyisellä rievulla. Ole erittäin varovainen hävittäessäsi öljyisiä riepuja työn jälkeen, jotta ne eivät aiheuta tulipalaa.

REUNAOHJAIN

Katso kuvaa 9.

Sahan kanssa voidaan käyttää reunaohjainta, ja sillä voidaan leikata poikki- ja pitkittäissuunnassa.

ASENTAMINEN:

- Irrota saha sähköverkosta.

▲ VAROITUS

Jos hiomakonetta ei ole irroitettu verkkovirrasta, epähuomiossa tapahtuva käynnistys voi aiheuttaa vakavia ruumiinvammoja.

- Työnnä reunaohjaimen varsi sahan kannan kahden loven läpi.
- Säädä reunaohjain haluamallasi leveydelle ja lukitse se paikoilleen sen ruuvilla.

▲ VAROITUS

Huollossa tulee käyttää ainoastaan identtisiä varaosia. Muunlaisten osien käyttö voi aiheuttaa vaaran tai vioittaa laitetta.

PÖLYNPOISTOJÄRJESTELMÄN (EI MUKANA) KYTKEMINEN

- Irrota laite sähköverkosta.

▲ VAROITUS

Jos sahaa ei ole irroitettu verkkovirrasta, epähuomiossa tapahtuva käynnistys voi aiheuttaa vakavia ruumiinvammoja.

- Liitä pölynkeruujärjestelmän suukappale pölyaukkoon.

JÄNNITTEEN MERKKIVALO

Tämä laite on varustettu jännitteen merkkivalolla, joka syttyy heti, kun laite kytketään verkkoon. Tämä varoittaa käyttäjää siitä, että laitteessa virta ja että se käynnistyy heti, kun kytkintä painetaan.

HUOLTO**YLEISOHJEITA**

Kaikki muut osat ovat tärkeä osa luokan II eristysjärjestelmää, ja niitä saa huoltaa ainoastaan pätevä teknikko.

Älä puhdistaa muoviosia liuottimilla. Eri tyyppiset kaupalliset liuottimet voittavat useimpia muoveja. Poista lika, pöly, öljy, rasva tms. puhtailla rievuilla.

▲ VAROITUS

Muoviosat eivät saa koskaan joutua kosketukseen jarrunesteeseen, harjoihin, kollektoreihin jne. Tämän lisäksi petrolijohdannaisien, ruosteenirrotusöljyn jne. kanssa. Nämä kemialliset aineet voivat vaurioittaa, heikentää tai tuhotamuovin.

On havaittu, että sähkötyökalut kuluvat ja rikkoutuvat nopeammin, jos niillä käsitellään lasikuituveneitä, urheiluautoja, seinälevyjä tai laastia.

Lastut ja hiomapöly kuluttavat sähkötyökalun osia, kuten laakereita, harjoja, kollektoreja jne. Tästä syystä tämäntyyppisen työkalun pitkäaikaista käyttöä ei suositella lasikuidun, pintojen, huokostäytteiden ja kipsin sahaukseen. Kun laitetta käytetään näiden materiaalien kanssa, on erittäin tärkeää puhdistaa laite säännöllisesti puhaltamalla sitä paineilmalla.

VOITELU

Kaikki laitteen laakerit on voideltu laitteen eliniäksi normaaliolosuhteissa riittävällä määrällä korkealaatuista voiteluainetta. Tästä syystä työkalu ei kaipaa lisävoitelua.

▲ VAROITUS

Pidä jatkojohdot poissa leikkualueelta ja aseta johto siten, että se ei voi tarttua leikkaamisen aikana puutavaraan, työkaluihin tms.

▲ VAROITUS

Tarkista jatkojohdot ennen käyttöä; jos ne ovat vioittuneet, korjaa välittömästi. Älä koskaan käytä laitetta vioittuneen johdon kanssa, sillä vioittuneen alueen koskettaminen voi aiheuttaa sähköiskun ja vakavan vamman.

Lähimmästä huoltopisteestä saa sahaan sopivia jatkojohtoja.

VAROITUS

Käytä aina sähkölaitetta käyttäessäsi tai pölyä puhaltaessasi suojalaseja, joissa on sivusuojaimet. Käytä lisäksi pölynaamaria, jos työ on pölyistä.

YMPÄRISTÖNSUOJELU

Älä heitä raaka-aineita kotitalousjätteisiin, vaan vie ne kierrätykseen. Ympäristönsuojelun kannalta työkalu, lisävarusteet ja pakkausmateriaali on lajiteltava.

SYMBOLI

Turvavaroitus

V Voltti

Hz Hertz

~ Vaihtovirta

W Watti

no Tyhjäkäyntinopeus

min⁻¹ Kierrosten tai liikkeiden määrä minuutissa



Maksimileikkukapasiteetti puun



CE-vastaavuus



Kaksoisieristys



Käytä kuulosuojaimia



Käytä suojalaseja



Lue ohjeet huolellisesti ennen laitteen käynnistämistä.



Käytöstä poistettavia sähkölaitteita ei pidä hävittää talousjätteiden mukana. Ne on mahdollisuuksien mukaan pantava kiertoon. Kierrätysohjeita antavat kunnan viranomaiset ja vähittäiskauppiaat.

Norsk

BESKRIVELSE

1. Strømbryter
2. Låseknapp
3. Bladbeskytter
4. Fotplate
5. Innsnitt
6. Sagblad
7. Sponuttaksstuss
8. Støtterulle
9. Spalte
10. Parallellanslag
11. Parallellanslagets låseskrue
12. Hendel til rask bladfeste
13. Strømindikator
14. Holderen
15. Skruer
16. Hastighetsvariator
17. Innstillingsknott til pendelbevegelsen
18. Oppbevaringsrom for sagblad

SPEISIELLE SIKKERHETSREGLER

- Hvis arbeidet utløser støv, bruk også en støvmaske.
- Vent til at kutteren stopper før du setter ned verktøyet. En blottstilt kutter kan skade overflaten og føre til mulig tap av kontroll og alvorlige skader.
- Hold verktøyet kun i de isolerte og sklisikre delene når du arbeider på en flate som kan skjule elektriske ledninger eller når arbeidet kan plassere ledningen i verktøyets bane. Kontakt med strømførende ledninger kan føre strøm til metalldelene og forårsake elektrisk støt.
- Hvis strømledningen skades må den kun erstattes av produsenten eller et autorisert servicesenter for å unngå risiko.

SPEISIFIKASJONER

Spenning	230 V ~ 50 Hz
Effekt	600 W
Slag pr. minutt	800 - 3000 min ⁻¹
Slaglengde	19 mm
Maks.Sagekapasitet	
Tre	70 mm
Stål	6 mm

FUNKSJONER

KJENN DIN SAG

Før du tar i bruk sagen er det viktig at du gjør det kjønt med bruken av den og alle sikkerhetskrav- og instruksjoner.

ELEKTRISK FORB INDELSE

Din sag har en presisjonsbygget elektrisk motor. Verktøyet skal kun kobles til et strømmnett med de spesifikasjoner som fremkommer av produktplaten. Ikke bruk verktøyet med likestrøm (DC). Et betydelig spenningsfall vil føre til tap av effekt og at motoren overopphetes. Hvis produktet ikke virker når det kobles til strømmnett, dobbeltsjekk strømtilførselen.

⚠ ADVARSEL

Sørg for at fortrolighet med produktet ikke fører til at du blir skjedesløs. Husk at uforsiktighet i en brøkdell av et sekund er nok til at du kan skade deg selv alvorlig.

BRUK

STRØMBRYTER

Se fig. 1.

- For å slå sagen på, trykk ned bryteren.
- Løs ut bryteren og sagen vil bli slått OFF.

LÅSEKNAPP

Se fig. 1.

Din sag er utstyrt med en låsemekanisme, som er en bekvem løsning når det er behov for å sage kontinuerlig over en lengre periode. For å låse startknappen, trykk inn startknappen, trykk så inn og hold låseknappen på siden av håndtaket og slipp startknappen. Løs ut låseknappen og sagen vil fortsette å gå.

For å oppheve låsen, trykk inn startknappen og slipp den. Hvis du har aktivert låsefunksjonen under bruk og sagen kobles fra strømkontakten, sørg for at låsemekanismen frikobles umiddelbart.

⚠ ADVARSEL

Før du forbinder sagen til strømmnett må du alltid påse at ikke startknappen er i låst posisjon (trykk inn og slipp startbryteren). Unnlattelse av å gjøre dette kan føre til utilsikket start av sagen og resultere i mulig alvorlig personskade. Ikke lås sagen i stilling "på" hvis du foretar arbeidsoppgaver som krever at sagen stoppes ofte.

Norsk

FOR Å INSTALLERE BLADER

Se fig. 3.

- Trekk ut verktøyets støpsel.

⚠ ADVARSEL

Hvis sagen ikke er koplet fra strømmen, kan den starte utilsiktet og forårsake alvorlige kroppsskader.

- Snu verktøyet opp-ned.
- Drei hurtigutløsserspaken mot venstre og hold den på plass.
- Sett inn sagbladet i sporet i rulleguiden, påse at baksiden av sagbladet er korrekt plassert i sporet.
NB: Bare sagbladet med T-format holder kan brukes.
- Trykk sagbladet inn i bladtvingen så langt det er mulig.
- Løs ut hurtigutløsserspaken.

⚠ ADVARSEL

For å unngå fare for alvorlig personskade må det alltid benyttes beskyttelsesbriller med sidebeskyttelse. Hold hender og fingre vekke fra motorhuset og bladklemmen og ikke ta under arbeidsstykket når sagen skjærer.

⚠ ADVARSEL

For å unngå alvorlig personskade må sagen aldri brukes uten at verneutstyr er på plass og korrekt montert/festet.

VARIABEL HASTIGHET

Se fig. 8.

Din sag har en variabel hastighetsvelger som gjør det mulig for brukeren å kontrollere og regulere hastighet og effekt. Hastigheten og effekten på sagen kan økes eller senkes ved å dreie på den variable hastighetsvelgeren i den retningen som pilen viser.

NB: Hold sagen i normal arbeidsstilling og drei hastighetsvariatoren mot urviseren for å øke sagens hastighet og effekt. Drei mot høyre for å øke hastighet og effekt.

Dersom du ønsker å låse bryteren i en gitt hastighet, trykk inn bryteren, trykk inn og hold låseknappen og slipp bryteren. Juster derest den variable hastighetskontrollen inntil ønsket hastighet er nådd.

Unngå å kjøre sagen på lave hastigheter over lengre perioder. Å kjøre på lave hastigheter over lengre perioder kan føre til at sagen overopphetes. La i så fall motoren gå i tomgang i høyeste hastighet så den kjøler.

Følgende retningslinjer må følges når det gjelder å fastsette korrekt hastighet for forskjellig bruk:

- **LOW** hastighet er idéell når minimum hastighet og effekt er ønskelig, for eksempel ved start av skjæringen.
- **MEDIUM** hastighet passer for skjæring av harde metaller, plast og laminater.
- **HIGH** hastighet gir best resultat når det er behov for maksimum effekt, for eksempel ved kapping av trematerialer. Myke metaller som aluminium, messing og kobber krever også høye hastigheter.

BLADLAGER

Se fig. 2.

En bekvem detalj på sagen er oppbevaringen for sagblad. Rommet sitter på baksiden av sponuttaksstussen. Dette er bekvemt for å oppbevare løse blad når de ikke brukes.

- **For å åpne:** Trekk ned døren med tommelen eller en finger.
- Plasser bladet i rommet for bladoppbevaring.
- **For å stenge:** Trekk opp døren med tommelen eller en finger.

⚠ ADVARSEL

Ikke sett sagbladet ned i luftkanaler siden de der kan få kontakt med strømførende innvendige deler og føre til elektrisk støt som i sin tur kan resultere i alvorlig personskade.

⚠ ADVARSEL

Sagen må aldri være koblet til den elektriske kontakten når du monterer deler, foretar justeringer, installerer eller fjerner sagblad eller når sagen ikke er i bruk. Ved å fjerne batteripakken hindres utilsiktet start som kan føre til alvorlig personskade.

GENERELL KAPPING

Se fig. 4.

La den fremre delen av sagfoten hvile mot arbeidsstykket og tilpass skjærekanten på bladet til linjen på arbeidsstykket. Påse at den elektriske ledningen ikke er i veien for sagbladet og ikke krysser den linjen det skal skjæres etter. Start sagen og beveg den fremover på arbeidsstykkets overflate. Legg press ovenfra for å holde sagen stabil og nok trykk forover til at sagen hele tiden skjærer.

⚠ ADVARSEL

Ikke tving sagen gjennom arbeidsstykket. Ved å presse sagen kan det oppstå overoppheting og fare for at bladet brytes av.

ORBITAL BEVEGELSE

Se fig. 4.

Sagbladet skjærer med en pendelbevegelse. Dennefunksjonen er justerbar og gjør sagingen raskere og mereffektiv. Med orbital bevegelse skjærer bladet gjennom arbeidsstykket på den oppadgående bevegelsen men trekkes ikke over arbeidsstykket i den nedadgående bevegelsen.

- Høyere innstillinger (H) bør brukes ved hurtig kapping av myke materialer.
- Lavere (L) innstillinger bør velges ved skjæring i materialer med mer motstandskraft.

RETTE KAPP

Se fig. 4.

Et rett kutt kan utføres ved å feste en trelist eller linjal til arbeidsstykket med tvinge og la kanten på sagen følge listen/linjalen. Skjær kun i en retning, ikke skjær halvveis og fullfør skjæringen fra motstående side.

LØVSAGING

Se fig. 5.

Løvs skjæring kan utføres med sagen ved å styre retningen på kuttet gjennom å legge vekt på håndtaket.

⚠ ADVARSEL

Overdreven sidebelastning på bladet kan føre til at bladet brytes av eller at det oppstår skader på arbeidsstykket det sages i.

VINKELKAPPING (SKRÅKAPPING/GJÆRING)

Se fig. 6.

Skråkappvinkler kan justeres fra 0° til 45° til høyre eller venstre. Vinkler for kapp fra 0° til 45° i trinn på 22.5° er merket på en skala på både høyre og venstre side av foten.

Bruken av en vinkelmåler anbefales når det er påkrevet med nøyaktige kapp.

JUSTER VINKELEN

Se fig. 6.

- Skru opp låseskruen til foten med fastnøkkelen inntil foten kan bevegese.

- Skyv foten svakt fremover for å frigjøre foten fra merket på motorhuset.
- Tilpass merket på foten for ønsket vinkel med kanten på motorhuset.
- Så snart den ønskede vinkelen er stilt inn, skyv foten bakover inntil merket på motorhuset står overfor det passende sporet på baksiden av foten.
- Posisjoner holderen for rullestyreren på en slik måte at styrerullene vender mot baksiden av sagbladet. Presisjonsskjæring er bare mulig dersom styrerullene vender stramt mot baksiden av sagbladet.
- Stram til holdeskruen i foten med fastnøkkelen for å feste foten forsvarlig.

FOR Å LAGE ET DYKK-KUTT

Se fig. 7.

⚠ ADVARSEL

For å unngå tap av kontroll, brukne sagblad eller skader på arbeidsstykket det sages i må det alltid utvises stor forsiktighet når det benyttes dykk-kapp. Vi anbefaler ikke dykk-kutting på andre typer materialer enn tre.

- Lag en klar skjærelinje på arbeidsstykket.
- Sett skjærevinkelen til 0°.
- Vipp sagen forover slik at den hviler på den fremre kanten av foten slik at bladet ikke vil få kontakt med arbeidsstykket når sagen startes.
- Påse at bladet er innenfor det området som skal skjæres.
- Start sagen med høy hastighet og senk bladet sakte ned i arbeidsstykket inntil det skjærer gjennom treverket.
- Fortsett å senke bladet gjennom arbeidsstykket helt til fotplaten ligger flatt på emnet, og flytt deretter sagenforover for å avslutte skjæringen.
- Bruk bare sagblader med 7 tenner pr. tomme for denne type saging.

METALLSAGING

Mange forskjellige typer metaller kan kappes med sagen. Vær forsiktig slik at du ikke vrir eller bøyer bladet. Trykk for all del ikke for hardt på sliperen.

Hvis bladet hopper eller vibrerer kraftig, bruk et blad med finere tenner eller øk hastigheten. Hvis bladet blir overdrevent varmt, bruk lavere hastighet. Hvis sagens tenner fylles når det skjæres i myke materialer, som aluminium, bruk en sag med grovere tenner eller senk hastigheten. Vi anbefaler bruk av olje ved skjæring i metall for å holde bladet avkjølt, øke skjærekapasiteten

Norsk

og forlenge bladets levetid. Fest arbeidsstykket forsvarlig med tvinge eller på annen måte og kapp så nær festestedet som mulig for å eliminere vibrasjoner i arbeidsstykket som skal kappes.

Når du skal skjære kanaler, rør eller vinklet jern, fest om mulig arbeidsstykket i en skrustikke og sag nære skrustikken. For å skjære i tynnemetalplater, klem dem mellom to tre- eller finérplater og sag dem sammen for å unngå vibrasjoner eller rivinger av materialet. Du får da et rent og pent snitt. Tegn mønsteret eller skjærelinjen på toppen av "sandwichen".

▲ Viktig!

Når det skjæres i metall hold den eksponerte delen av sagskinnen ren og fri for metallspen ved å tørke over den jevnlig med en oljet klut. Vis ekstra forsiktighet ved avhenging av oljetilsøkte kluter for å unngå fare for brann.

PARALLELLANSLAG

Se fig. 9.

En kantguide er tilgjengelig for bruk sammen med sagen og kan brukes til å gjøre tverrkapp og langsgående kapp.

FOR Å INSTALLERE:

- Trekk ut sagens støpsel.

▲ ADVARSEL

Hvis sliperen ikke er koplet fra strømmen, kan den starte utilsiktet og forårsake alvorlige kroppsskader.

- Sett inn styreskinnen gjennom de to spaltene på bunnen av sagen.

- Juster kantguiden til ønsket bredde og lås den med kantguideskruen.

▲ ADVARSEL

For servicearbeider bruk kun originale reservedeler tilsvarende den som skiftes. Bruk av andre deler kan skape fare eller føre til skade på produktet.

FOR Å TILKOBLE STØVAVTREKKSsystemET (IKKE INKLUDERT)

- Trekk ut verktøyets støpsel.

▲ ADVARSEL

Hvis sagen ikke er koplet fra strømmen, kan den starte utilsiktet og forårsake alvorlige kroppsskader.

- Forbind dysen på støvoppsamlingsystemet til støvåpningen.

STRØMINDIKATOR

Vinkelsliperen er utstyrt med en strømindikator som tennes når verktøyet er koblet til strømmettet. Indikatoren varsler brukeren om at sliperen er koblet til strømmen og at den vil starte når strømbryteren trykkes inn.

VEDLIKEHOLD

ALMENNE FORSKRIFTER

Alle andre deler representerer en viktig del av Klasse II isoleringssystem og må kun vedlikeholdes/repareres av kvalifiserte serviceteknikere.

Unngå bruk av løsemidler når du rengjør plastdelene. De fleste plasttyper er sårbare for forskjellige typer kommersielle oppløsningsmidler. Bruk rene kluter til å fjerne skitt, støv, olje og fett etc.

▲ ADVARSEL

Plastdeler må aldri komme i kontakt med bremsevæske, bensin, petroleumsholdige produkter, penetrerende oljer, osv. Dissekjemiske produktene inneholder stoffer som kanskje, svekke eller ødelegge plasten.

Det er registrert at elektrisk verktøy utsettes for unormal slitasje og tidlige driftsfeil når det brukes på båter i glassfiber, sportsbiler med glassfiberkarosseri, sponplater eller gipsplater.

Spon og støv fra slike materialer har en høy abrasiv virkning på elektriske deler som lagere, børster, kollektorer, etc. Det frarådes derfor sterkt å foreta langvarig arbeidsoppgaver på glassfiber, veggkledninger, sparkeleller gips. Under arbeid med slike materialer er det av den største viktighet at verktøyet regelmessig blåses rent med komprimert luft.

SMØRING

Alle lagere i verktøyet er smurt med en passende mengde høykvalitets smøring for maskinens levetid under normale driftsforhold. Det er derfor unødvendig med tilleggsmøring.

Norsk

⚠ ADVARSEL

Hold skjøteledningen vekk fra skjæreområdet og plasser ledningen slik at den ikke kan fanges opp av verktøy, verktøy og annet under skjæringen.

⚠ ADVARSEL

Kontroller skjøteledningen før hver gangs bruk, ved skade må den skiftes umiddelbart. Bruk aldri verktøyet med en skadet elektrisk ledning idet berøring av det skadede området kan føre til elektrisk støt og alvorlig personskade.

Skjøteledning som passer til bruk sammen med sagen er tilgjengelig fra nærmeste servicesenter.

⚠ ADVARSEL

Bruk alltid vernebriller eller sikkerhetsbriller med sidebeskyttelse ved bruk av elektrisk verktøy eller når det blåses støv. Hvis arbeidet utløser støv, bruk også en støvmaske.

MILJØVERN

Resirkuler råmaterialer istedenfor å kaste dem i søppelen. Verktøyet, tilbehørene og emballasjen bør sorteres for miljøvennlig resirkulering.

SYMBOL

Sikkerhetsalarm

V Volt

Hz Hertz

~ Vekselstrøm

W Watt

n₀ Hastighet ubelastet

min⁻¹ Antall omdreininger eller bevegelser pr.Minutt



Maksimum skjærekapasitet i tre



CE samsvar



Dobbel isolering



Bruk hørselsvern



Bruk øyebeskyttelse



Vennligst les instruksjonene nøye før du starter maskinen.



Avfall fra elektriske produkter skal ikke kastes sammen med husholdningsavfall. Vennligst resirkulere vedeksisterende avfallsbehandlingssted. Undersøk hos dine lokale myndigheter eller forhandler for råd om resirkulering.

Русский

ОПИСАНИЕ

1. Выключатель
2. Кнопка блокировки
3. Защитный кожух
4. База
5. Паз
6. Пильное полотно
7. Пыль Порт
8. Роликом
9. Гнездо
10. Руководство пограничного
11. Руководство пограничного Lock Винт
12. Быстрый рычаг
13. Индикатор питания, загорающийся
14. Крепление
15. Винты
16. Переменные выбора контроля скорости
17. Орбитальная ручки регулировки
18. площадь лезвия хранения

ОСОБЫЕ ПРАВИЛА БЕЗОПАСНОСТИ

- Если во время работы образуется много пыли, также надевайте пылезащитную маску.
- Перед настройкой инструмента подождите, пока пила не остановит работу. Выдвинутая пила при резке на поверхности может привести к потере контроля и серьезным травмам.
- Держите электрические инструменты за изолированные поверхности только при выполнении операций, когда режущий инструмент может контактировать со скрытой проводкой или с собственным проводом. Резка аксессуар, обратившись в "живой" провод может сделать открытые металлические части электроинструмента и ведет к оператору.
- Если кабель питания поврежден, во избежание опасности его должен заменить либо сам производитель, либо специалист авторизованного сервисного центра.

ТЕХНИЧЕСКИЕ ХАРАКТЕРИСТИКИ

Напряжение	230 V ~ 50 Hz
Входная мощность	600 W
Проходов за минуту	800 - 3000 min ⁻¹
Длина прохода	19 mm
Максимальная режущая способность	
Древесина	70 mm
Сталь	6 mm

ФУНКЦИИ

ИЗУЧИТЕ ВАШУ ПИЛУ

Перед использованием пилы ознакомьтесь со всеми режимами работы и правилами техники безопасности.

ЭЛЕКТРИЧЕСКОЕ ПОДКЛЮЧЕНИЕ

Пила оснащена высококачественным электродвигателем. Устройство следует подключать только к тому типу сети питания, который указан на табличке с паспортными данными. Не используйте для питания данного инструмента постоянный ток (DC). Значительное падение напряжения приведет к потере мощности и перегреву. Если при подключении к розетке пила не работает, тщательно проверьте подачу питания.

⚠ ОСТОРОЖНО

Будьте внимательны при работе с устройством, даже если хорошо знакомы с ним. Помните, что достаточно секунды невнимания, чтобы получить тяжелую травму.

ЭКСПЛУАТАЦИЯ

ВЫКЛЮЧАТЕЛЬ

См. рис. 1.

- Чтобы включить пилу, нажмите выключатель.
- Отпустите курковый выключатель для выключения пилы.

КНОПКА БЛОКИРОВКИ

См. рис. 1.

В данной пиле предусмотрена блокировка выключателя, что делает удобным использование пилы при непрерывном резании в течение длительного времени. Если нужно произвести фиксацию, нажмите курковый выключатель, нажмите и удерживайте кнопку блокирования, расположенную сбоку рукоятки, затем отпустите курковый выключатель. Отпустите кнопку блокирования, после чего пила возобновит работу.

Для снятия блокировки нажмите и отпустите курковый выключатель.

Если при работе задействована блокировка выключателя, а пила отключается от питания, сразу же снимите блокировку.

⚠ ОСТОРОЖНО

Перед подключением пилы к питающей сети прежде всего убедитесь, что курковый выключатель не зафиксирован во включенном положении (нажмите и отпустите курковый выключатель). Несоблюдение данного требования может привести к случайному запуску пилы и стать причиной телесных повреждений. Кроме того, не закрывать на курок на рабочих местах, где ваши видели, возможно, потребуется вдруг остановился.

УСТАНОВКА ПИЛЬНЫХ ПОЛОТЕН

См. рис. 3.

- Отключите инструмент от электросети.

⚠ ОСТОРОЖНО

Неспособность отключить увидел может привести к случайным начиная вызывает возможных серьезных травм.

- Переверните инструмент.
- Поверните рычажок быстрого отсоединения против часовой стрелки и удерживайте его в таком положении.
- Установите режущее полотно пилы в паз роликовой направляющей, обеспечив надлежащее расположение обратной стороны режущего полотна в пазу.
ПРИМЕЧАНИЕ: Допускается использование только режущих полотен с тавровым хвостовиком.
- Установите режущее полотно в зажим режущего полотна до упора.
- Отпустите рычажок быстрого отсоединения.

⚠ ОСТОРОЖНО

Во избежание тяжелых телесных повреждений всегда надевайте защитные очки с боковыми защитными щитками. Держите руки и пальцы в стороне от корпуса двигателя и зажима режущего полотна и не допускайте их попадания под заготовку в процессе резания.

⚠ ОСТОРОЖНО

Во избежание тяжелых телесных повреждений не пользуйтесь пилой без защитных ограждений, правильно установленных на своем месте.

ФУНКЦИЯ ИЗМЕНЕНИЯ СКОРОСТИ

См. рис. 8.

В данной пиле предусмотрен регулятор скорости вращения, позволяющий оператору управлять скоростью и мощностью, регулировать их пределы. Скорость и мощность пилы можно увеличить или уменьшить поворотом регулятора скорости в направлениях, показанных стрелками.

ПРИМЕЧАНИЕ: Держите видел в нормальном рабочем положении и повернуть переключатель переменной контроля скорости против часовой стрелки для увеличения скорости и мощности. Поверните по часовой стрелке для уменьшения скорости и мощности.

Если нужно зафиксировать выключатель на данной скорости, нажмите курковый выключатель, нажмите и удерживайте кнопку блокирования, затем отпустите курковый выключатель. Затем регулятором скорости установите нужную скорость вращения.

Не работайте с пилой длительное время на низкой скорости. Долговременное использование пилы на низкой скорости может вызвать ее перегрев. Если это произойдет, охладить увидел, запустив его без нагрузки и на полной скорости.

Для выбора нужной скорости при различных применениях можно использовать следующие указания:

- Скорость LOW хорошо подходит для работ, требующих минимальной скорости и мощности, например, для начального пропила.
- Скорость MEDIUM используется для резания твердых металлов, пластмасс и многослойных материалов.
- На скорости HIGH достигаются лучшие результаты, когда требуется максимальная мощность, например, при резании древесины. Мягкие металлы – алюминий, латунь и медь, необходимо также обрабатывать на высокой скорости.

ОТСЕК ДЛЯ РЕЖУЩЕГО ПОЛОТНА

См. рис. 2.

Удобная особенность данной пилы заключается в наличии отсека для режущего полотна. Площадь лезвия хранения находится на задней панели порт пыли. Отсек удобен для хранения неиспользуемых и запасных режущих полотен.

- **Открытие:** Отожмите дверцу вниз пальцем.
- Поместите режущие полотна в отсек для их хранения.

Русский

- **Закрывание:** Поднимите дверцу вверх пальцем.

▲ ОСТОРОЖНО

Не вставляйте режущее полотно в вентиляционные отверстия, так как они могут находиться в электрическом контакте с внутренними частями, находящимися под напряжением, что может привести к поражению электрическим током и телесным повреждениям.

▲ ОСТОРОЖНО

Всегда следует отключать инструмент от сети питания при монтаже деталей, регулировке, установке и извлечении режущих полотен, а также во время перерывов в работе. Отключение устройства от сети предотвращает случайный запуск, который может привести к тяжким телесным повреждениям.

ОБЫЧНОЕ РЕЗАНИЕ

См. рис. 4.

Опустите переднюю часть основания пилы на заготовку и совместите режущий край режущего полотна с разметочной линией на заготовке. Убедитесь, что кабель питания не попадет под режущее полотно и линию резания. Запустите пилу и двигайте ее вперед по поверхности заготовки. Прижмите пилу для обеспечения устойчивости, нажимайте вперед с усилием, но большим, чем нужно для выполнения резания.

▲ ОСТОРОЖНО

Не прилагайте чрезмерных усилий при работе с пилой. Большие нагрузки на пилу могут привести к перегреву двигателя и поломке режущих полотен пилы.

КРУГОВЫЕ ДВИЖЕНИЯ

См. рис. 4.

Лезвие от твоих увидел сокращения орбитального движения. Эта функция регулируется и обеспечивает более быструю и эффективную резки. Круговыми движениями режущее полотно режет заготовку при ходе вверх, но не прикасается к заготовке и не тянет ее при ходе вниз.

- Повышенная скорость (H) используется при быстром резании мягких материалов.
- Пониженную скорость (L) следует использовать при резании более прочных материалов.

РЕЗАНИЕ ПО ПРЯМОЙ

См. рис. 4.

Ровного разреза можно добиться, закрепив деревянную заготовку, или используя прямоугольную направляющую на заготовке и направляя по ней пилу. Выполняйте резание только в одном направлении, не заканчивайте пропил на середине и не начинайте пиление с другой стороны заготовки.

ФИГУРНОЕ ВЫРЕЗАНИЕ

См. рис. 5.

Чтобы сделать фигурный вырез, ведите пилу по нужному контуру, нажимая на нее в направлении движения.

▲ ОСТОРОЖНО

Чрезмерное боковое давление на режущее полотно может привести к поломке полотна или повреждению обрабатываемой заготовки.

РЕЗАНИЕ ПОД УГЛОМ (РЕЗАНИЕ СО СКОСОМ)

См. рис. 6.

Наклон вправо или влево при резании можно регулировать от 0° до 45°. Углы резания 0°, 22,5° и 45° нанесены на шкале как с левой, так и с правой стороны основания.

При необходимости выполнения точных разрезов рекомендуется использовать угломер.

РЕГУЛИРОВКА УГЛА

См. рис. 6.

- Гаечным ключом ослабьте фиксирующий винт основания, чтобы основание свободно перемещалось.
- Немного продвиньте основание вперед, чтобы открепить его от защелки на корпусе двигателя.
- Совместите метку нужного угла на основании с краем корпуса двигателя.
- После установки нужного угла продвиньте основание назад, пока защелка на корпусе двигателя не совместится с соответствующим гнездом на тыльной стороне основания.
- Установите крепление роликовой направляющей таким образом, чтобы роликовая направляющая располагалась позади режущего полотна. Точный разрез возможен только при расположении роликовой направляющей строго позади режущего полотна.
- Затяните гаечным ключом фиксирующий винт основания для его закрепления.

ВЫПОЛНЕНИЕ ВНУТРЕННИХ ВЫРЕЗОВ*См. рис. 7.***⚠ ОСТОРОЖНО**

Во избежание потери управляемости инструмента, поломки режущих полотен и повреждения обрабатываемого материала всегда проявляйте повышенную осторожность при выполнении внутренних вырезов. Не рекомендуется начинать резание заглаблением с поверхности каких-либо материалов, кроме древесины.

- Наносите четкую линию разреза на заготовке.
- Установите угол резания 0°.
- Наклоните пилу вперед таким образом, чтобы она стояла на передней кромке основания, а пыльная полотно не прикасалось к заготовке, когда пила будет включена.
- Режущее полотно должно располагаться внутри разрезаемой области.
- Запустите пилу на высокой скорости и медленно заглабляйте ее в заготовку, пока лезвие не прорежет дерево насквозь.
- Продолжить снижение лезвие в заготовку до базы лежит плашмя на рабочей поверхности, а затем перейти увидел надежду на полное сокращение
- Для такого типа резания используйте только режущие полотна с шагом 7 зубьев на дюйм.

РЕЗАНИЕ МЕТАЛЛА

Данная пила допускает резание многих видов металлов. Не допускайте перекручивания или изгиба режущих полотен. Не прикладывайте чрезмерных усилий.

При чрезмерной вибрации режущего полотна используйте режущее полотно с малым шагом зубьев или работайте на повышенной скорости. При чрезмерном нагревании режущего полотна используйте пониженную скорость. Если зубья режущего полотна пыли засоряются при резании мягких металлов, например, алюминия, используйте режущее полотно с более крупным шагом зубьев или работайте на пониженной скорости. Рекомендуется пользоваться маслом при резании металлов для охлаждения режущих полотен, повышения скорости резания и продления срока службы режущих полотен. Надежно закрепите заготовку и выполняйте резание ближе к точке крепления, чтобы избежать вибрации обрабатываемой заготовки.

При резании желобов, труб или углового металла зажмите заготовку в тиски (при возможности) и выполняйте резание ближе к тискам. Чтобы вырезать

тонкие листовые материалы, типа "сэндвич" материала между ДВП или фанеры и зажим слоев для ликвидации вибрации и материальный разрыв. Делая это, материал будет сокращен гладко. Уложите шаблон или нанесите разметочную линию сверху этого "бутерброда".

⚠ Важное замечание!

При резании металла держите открытую часть пыльной шины чистой и свободной от металлической стружки, регулярно протирая ее промасленной тряпкой. Чтобы исключить возможность возгорания, соблюдайте особую осторожность, когда выбрасываете промасленные тряпки по окончании работы.

РУКОВОДСТВО ПОГРАНИЧНОГО*См. рис. 9.*

Для использования с пилой предназначена боковая направляющая, которую можно использовать при поперечных и продольных пропилах.

УСТАНОВКА

- Отключите пилу от электросети.

⚠ ОСТОРОЖНО

Если не отключить инструмент от электросети, это может привести к его случайному запуску и вследствие этого – к тяжким телесным повреждениям.

- Пропустите линейку боковой направляющей сквозь два отверстия на основании пилы.
- Установите нужную ширину боковой направляющей и закрепите ее на месте с помощью винта на боковой направляющей.

⚠ ОСТОРОЖНО

При проведении текущего ремонта используйте только идентичные запчасти. Использование любых других запчастей может создать опасность или стать причиной выхода изделия из строя.

ПОДКЛЮЧЕНИЕ СИСТЕМЫ ПЫЛЕУДАЛЕНИЯ (НЕ ПРИЛАГАЕТСЯ)

- Отключите инструмент от электросети.

Русский

⚠ ОСТОРОЖНО

Неспособность отключить увидев может привести к случайным начинающим вызывает возможных серьезных травм.

- Подсоедините насадку системы сбора пыли к пылевому каналу.

ИНДИКАТОР ПИТАНИЯ, ЗАГОРАЮЩИЙСЯ

Данный инструмент оснащен индикатором питания, который загорается при подключении инструмента к сети питания. Он предупреждает, что инструмент подключен и будет работать при нажатии выключателя.

ТЕХНИЧЕСКОЕ ОБСЛУЖИВАНИЕ

ОБЩАЯ ИНФОРМАЦИЯ

Все другие детали являются важной частью системы изоляции класса II и должны обслуживаться только квалифицированным специалистом.

При чистке пластмассовых деталей запрещается использовать растворители. Многие пластмассы под действием различных бытовых растворителей разрушаются. Для очистки от грязи, пыли, масла, смазки и т.п. используйте протирочную тряпку.

⚠ ОСТОРОЖНО

Пластмассовые детали нельзя чистить тормозной жидкостью, бензином, нефтепродуктами, едкими маслами и т.д. Они содержат химические вещества, которые могут ухудшить свойства пластмассы, повредить или разрушить ее.

Установлено, что электроинструменты подвергаются ускоренному износу и возможен преждевременный выход их из строя, если они используются для обработки лодок из стеклоткани, спортивных автомобилей, гипсокартона или штукатурки.

Мелкие и пылевидные частицы этих материалов очень абразивны и вызывают истирание компонентов электроинструмента – подшипников, щеток, контактов и т.п. Следовательно, это не рекомендуется, что этот инструмент будет использоваться в течение длительного времени на любой материал из стекловолокна, древесноволокнистые или штукатурка. При работе с такими материалами исключительно важно чаще очищать инструмент струей сжатого воздуха.

СМАЗКА

Все трущиеся детали данного инструмента смазаны достаточным количеством высококачественной смазки на весь срок использования устройства при нормальных условиях эксплуатации. Поэтому дополнительная смазка не требуется.

⚠ ВНИМАНИЕ

Располагайте удлинительные кабели в стороне от области резания и прокладывайте его таким образом, чтобы он при работе не цеплялся за пиломатериал, инструменты и т.п.

⚠ ОСТОРОЖНО

Проверяйте удлинительный кабель перед каждым использованием, при повреждении сразу же его замените. Никогда не пользуйтесь устройством с поврежденным кабелем питания, так как прикосновение к поврежденному участку может привести к поражению электрическим током и тяжким телесным повреждениям.

Подходящий удлинительный кабель для работы с пылью можно подобрать, обратившись в ближайший центр обслуживания.

⚠ ОСТОРОЖНО

Всегда надевайте предохранительные или защитные очки с боковыми защитными экранами при работе с данным инструментом или сдувании пыли. Если во время работы образуется много пыли, также надевайте пылезащитную маску.

ЗАЩИТА ОКРУЖАЮЩЕЙ СРЕДЫ



Не выбрасывайте сырье. Сдавайте его в переработку. Машина, аксессуары и упаковка должны быть отсортированы.

СИМВОЛ



Внимание

V Вольт

Hz Герц

- ~ Переменный ток
- W Ватт
- n_0 скорость на холостом ходу
- min^{-1} Оборотов или возвратно-поступательных движений в минуту
-  Максимальная производительность резания в лесу
-  Соответствие требованиям CE
-  Двойная изоляция
-  Применяйте средства защиты органов слуха
-  Применяйте средства защиты органов зрения
-  Перед использованием прибора внимательно ознакомьтесь с данной инструкцией.
-  Отработанная электротехническая продукция должна уничтожаться вместе с бытовыми отходами. Утилизируйте, если имеется специальное техническое оборудование. По вопросам утилизации проконсультируйтесь с местным органом власти или предприятием розничной торговли.

Polski

OPIS

1. Włącznik
2. Przycisk blokady
3. Osłona brzeszczotu
4. Podstawa
5. Żłobek
6. Tarcza tnąca
7. Przyłącze do odciagu trocin
8. Kółko prowadzące
9. Gniazdo
10. Równoległy przewód cięcia
11. Śruba zaciskowa przewodnika cięcia równoległego
12. Dźwignia szybkocuciąca brzeszczotu
13. Lampka kontrolna podłączenia pod napięcie
14. Uchwyty
15. Wkręty
16. Przekładnia zmiany prędkości
17. Urządzenie nastawcze ruchu wahadłowego
18. Schowek na brzeszczoty

SPECJALNE ZASADY BEZPIECZEŃSTWA

- Jeśli wykonywanej pracy towarzyszy powstawanie pyłu, należy również stosować maskę przeciwpyłową.
- Przed odłożeniem narzędzia należy odczekać do momentu jego zatrzymania. Odsonięty element tnący może wejść w kontakt z powierzchnią, co może doprowadzić do utraty kontroli nad urządzeniem i poważnych obrażeń.
- Kiedy pracujecie na powierzchni mogącej ukrywać przewody elektryczne, lub gdy podczas pracy przewód zasilający może być na trasie cięcia, trzymajcie narzędzie wyłącznie za izolowane i nieśliskie części. Kontakt z przewodami pod napięciem mógłby spowodować porażenie prądem elektrycznym.
- Uszkodzony przewód sieciowy powinien zostać wymieniony przez autoryzowany punkt serwisowy, samodzielna wymiana zagraża bezpieczeństwu użytkownika.

PARAMETRY TECHNICZNE

Napięcie	230 V ~ 50 Hz
Moc	600 W
Liczba skoków na minutę	800 - 3000 min ⁻¹
Skok elementu tnącego	19 mm
Zakres możliwości cięcia	
Drewno	70 mm
Stal	6 mm

CECHY

NALEŻY ZAPOZNAĆ SIĘ Z TYM URZĄDZENIEM

Przed przystąpieniem do użytkowania tego urządzenia należy zapoznać się ze wszystkimi funkcjami obsługowymi i zasadami bezpieczeństwa.

ZASILANIE PRĄDEM ELEKTRYCZNYM

Wyrzynarka jest wyposażona w precyzyjny silnik elektryczny. Urządzenie należy podłączać do źródła zasilania zgodnego z parametrami podanymi na tabliczce znamionowej. Nie wolno podłączać urządzenia do źródła prądu stałego (DC). Znaczny spadek napięcia spowoduje utratę mocy i przegrzanie. Jeśli urządzenie nie działa po podłączeniu do gniazda zasilania, należy sprawdzić, czy w gnieździe jest prąd.

⚠ OSTRZEŻENIE

Nie wolno dopuścić do tego, aby fakt zapoznania się z tym urządzeniem zmniejszył ostrożność operatora. Nigdy nie zapomnijcie, że wystarczy ułamek sekundy nieuwagi, aby doszło do poważnego zranienia.

OBSŁUGA

WŁĄCZNIK

Zobacz rysunek 1.

- Aby włączyć urządzenie, należy nacisnąć przycisk.
- Aby wyłączyć urządzenie, należy zwolnić przycisk uruchamiający.

PRZYCISK BLOKADY

Zobacz rysunek 1.

Wyrzynarka jest wyposażona w funkcję blokady, która pozwala w wygodny sposób utrzymywać stan włączony przez dłuższy czas. Aby zablokować przycisk uruchamiający, należy go wcisnąć, następnie wcisnąć i przytrzymać przycisk blokady znajdujący się z boku rękojeści, potem zwolnić przycisk uruchamiający. Zwolnić przycisk blokady, urządzenie będzie nadal pracować.

Aby zwolnić blokadę, należy nacisnąć i zwolnić przycisk uruchamiający.

Jeśli podczas pracy włączono blokadę przycisku uruchamiającego a następnie odłączone zostanie zasilanie, należy niezwłocznie wyłączyć blokadę przycisku.

Polski

⚠ OSTRZEŻENIE

Przed podłączeniem urządzenia do zasilania należy sprawdzić, czy przycisk uruchamiający nie jest zablokowany (naciśnąć go i zwolnić). W przeciwnym wypadku może dojść do przypadkowego uruchomienia urządzenia i poważnego zranienia. Tak samo nie blokujcie wyrzynarki w pozycji "włączona", jeżeli wykonujecie prace wymagające częstego zatrzymania wyrzynarki.

ABY ZAŁOŻYĆ BRZESZCZOT

Zobacz rysunek 3.

- Odłączyć urządzenie z gniazda sieciowego.

⚠ OSTRZEŻENIE

Jeżeli piła nie została odłączona, może dojść do przypadkowego włączenia, grożącego poważnymi obrażeniami ciała.

- Obrócić urządzenie „do góry nogami”.
- Obrócić dźwignię szybkiego zwalniania w lewo i przytrzymać ją w tym położeniu.
- Umieścić brzeszczot w rowku w prowadnicy rolkowej, upewniając się, że tylna część brzeszczotu jest prawidłowo ułożona w rowku.
UWAGA: Stosować wyłącznie brzeszczoty z uchwytem typu "T".
- Wsunąć brzeszczot w uchwyt aż do oporu.
- Zwolnić dźwignię szybkiego zwalniania.

⚠ OSTRZEŻENIE

Aby uniknąć ryzyka poważnego zranienia, zakładajcie gogle lub okulary ochronne z osłonami bocznymi. Trzymać dłoń i stopy z dala od korpusu silnika i zacisku brzeszczotu, nie sięgać poniżej obrabianego przedmiotu podczas cięcia.

⚠ OSTRZEŻENIE

Aby uniknąć ryzyka poważnego zranienia, nie wolno używać tego urządzenia bez założonej osłony bezpieczeństwa.

REGULACJA PRĘDKOŚCI OBROTOWEJ

Zobacz rysunek 8.

Wyrzynarka jest wyposażona w regulator prędkości, który pozwala dopasować prędkość i moc urządzenia do

rodzaju wykonywanego zadania. Prędkość roboczą i moc wyrzynarki można zwiększać lub zmniejszać za pomocą regulatora prędkości, zgodnie z kierunkiem strzałek.

UWAGA: Trzymajcie wyrzynarkę w normalnej pozycji działania i obróćcie zmiennik prędkości w kierunku przeciwnym do ruchu wskazówek zegara w celu zwiększenia prędkości i mocy waszej wyrzynarki. Przekręćcie w prawo, aby zmniejszyć prędkość i moc.

Abi zablokować przycisk uruchamiający przy określonej prędkości, należy go nacisnąć, wcisnąć i przytrzymać przycisk blokady następnie zwolnić przycisk uruchamiający. Następnie należy dopasować prędkość do rodzaju wykonywanego zadania za pomocą regulatora prędkości.

Należy unikać pracy urządzenia z niską prędkością przez dłuższy czas. Dłuższapracazniskąprędkościąwwarunkach ciągłego użytkowania grozi przegrzaniem urządzenia. W tym wypadku, aby ochłodzić wyrzynarkę, dajcie jej popracować na pusto (bez obciążenia) przy maksymalnej prędkości.

W określeniu prędkości roboczej odpowiedniej dla danego zastosowania pomogą następujące wytyczne:

- LOW prędkość daje najlepsze wyniki gdy wymagana jest minimalna prędkość i moc, np. w w chwili rozpoczynania cięcia.
- MEDIUM prędkość jest odpowiednia do cięcia twardych metali, tworzyw sztucznych i laminatów.
- HIGH prędkość daje najlepsze wyniki gdy wymagana jest maksymalna moc, np. w przypadku cięcia drewna. Miękkie metale, takie jak aluminium, mosiądz i miedź również wymagają wysokich prędkości.

PRZECHOWYWANIE BRZESZCZOTÓW

Zobacz rysunek 2.

Wyrzynarka jest wyposażona w wygodny schowek na brzeszczoty. Schowek znajduje się z tyłu przyłącza do odciągania pyłu. Jest to wygodny sposób przechowywania zapasowych brzeszczotów.

- **Abi otworzyć:** Pociągnąć drzwiczki w dół, kciukiem lub innym palcem.
- Umieścić brzeszczoty w schowku.
- **Abi zamknąć:** Nacisnąć drzwiczki do góry, kciukiem lub innym palcem.

⚠ OSTRZEŻENIE

Nie wkładać brzeszczotów w otwory wentylacyjne, mogłyby one zetknąć się z podzespołami pod napięciem powodując porażenie prądem i poważne zranienie.

⚠ OSTRZEŻENIE

Należy zawsze odłączyć zasilanie przed przystąpieniem do montażu podzespołów, regulacji, montażu lub demontażu końcówek roboczych albo w przypadku przerwy w użytkowaniu urządzenia. Odłączenie urządzenia zapobiegnie jego przypadkowemu uruchomieniu, które groziłoby poważnym zranieniem.

OGÓLNE ZASADY CIĘCIA

Zobacz rysunek 4.

Umieścić przednią krawędź podstawy wyrzynarki na obrabianym przedmiocie i wyrównać krawędź tnącą brzeszczotu z linią cięcia zaznaczoną na przedmiocie. Upewnić się, że przewód zasilania nie leży w linii cięcia i na drodze brzeszczotu. Uruchomić wyrzynarkę i przesunąć do przodu po powierzchni obrabianego przedmiotu. Przyłożyć nacisk pionowo w dół trzymając stabilnie wyrzynarkę i niewielki nacisk do przodu, tylko taki, aby zapewnić posuw brzeszczotu.

⚠ OSTRZEŻENIE

Nie przeciążać urządzenia. Przeciążanie urządzenia grozi przegrzaniem silnika i pęknięciem brzeszczotu.

RUCH POSUWISTO-ZWROTNY

Zobacz rysunek 4.

Brzeszczot wyrzynarki nie wykonując ruchu wahadłowy. Funkcja ta jest regulowana i umożliwia szybsze i skuteczniejsze cięcie. Podczas ruchu posuwistozwrotnego, brzeszczot przecina obrabiany przedmiot w kierunku do góry, nie tnie przedmiotu w kierunku do dół.

- Wyższą prędkość (H) należy stosować w przypadku szybkiego cięcia miękkich materiałów.
- Niższą prędkość (L) należy stosować w przypadku cięcia materiałów stawiających większy opór.

CIĘCIE PROSTE

Zobacz rysunek 4.

Cięcie proste można wykonać mocując do obrabianego elementu drewnianą listwę i prowadząc wzdłuż niej krawędź wyrzynarki. Cięcie należy wykonywać w całości w jednym kierunku, nie należy docinać elementu z drugiej strony.

WYCINANIE LINII KRZYWYCH

Zobacz rysunek 5.

Linie krzywe wykonuje się przykładając odpowiedni nacisk na rękojeść w żądanym kierunku.

⚠ OSTRZEŻENIE

Wywieranie zbyt dużego nacisku bocznego grozi uszkodzeniem brzeszczotu lub obrabianego materiału.

CIĘCIE POD KĄTEM (PIONOWYM)

Zobacz rysunek 6.

Cięcie pod kątem pionowym można regulować w zakresie od 0° do 45° w prawo i w lewo. Wartości kąta cięcia od 0° do 45° w przyrostach 22,5° zaznaczone są na miarce zarówno z lewej jak i z prawej strony podstawy.

W przypadku cięcia wymagającego szczególnej dokładności zaleca się stosować kątomierz.

REGULACJA KĄTA

Zobacz rysunek 6.

- Za pomocą klucza poluzować śrubę mocującą podstawę do tego stopnia, aby można ją było przesunąć.
- Przesunąć podstawę lekko do przodu, aby wysunąć ją z wypustu na korpusie silnika.
- Wyrównać znak na podstawie o żądanym kącie z krawędzią korpusu silnika.
- Po ustawieniu żądanego kąta, należy przesunąć podstawę do tyłu tak, aby wyrównać wypust na korpusie silnika z odpowiednim nacięciem z tyłu podstawy.
- Ustawić uchwyt prowadnicy rolkowej tak, aby prowadnica była zwrócona w kierunku tylnej części wyrzynarki. Precyzyjne cięcie jest możliwe tylko wtedy, gdy prowadnica rolkowa ściśle przylega do tylnej części brzeszczotu.
- Za pomocą klucza dokręcić śrubę mocującą podstawę.

ABY WYKONAĆ CIĘCIE WGLĘBNE

Zobacz rysunek 7.

⚠ OSTRZEŻENIE

Aby uniknąć utraty kontroli, złamania brzeszczotu lub uszkodzenia przecinanego materiału, należy zawsze zachowywać szczególną ostrożność podczas cięcia wglębnego. Nie zaleca się stosować cięcia wglębnego do materiałów innych niż drewno.

- Zaznaczyć wyraźnie linię cięcia na obrabianym przedmiocie.
- Ustawić kąt cięcia na 0°.
- Przechylić wyrzynarkę do przodu tak, aby oparła się ona na przedniej krawędzi podstawy a brzeszczot nie

Polski

dotykał obrabianego przedmiotu, gdy urządzenie jest włączone.

- Upewnić się, że brzeszczot jest umieszczony w miejscu cięcia.
- Uruchomić wyrzynarkę z wysoką prędkością i powoli opuszczać brzeszczot w obrabiany przedmiot, aż do rozpoczęcia cięcia.
- Kontynuując opuszczanie brzeszczotu poprzez obrabiany przedmiot aż podstawa będzie na płaskooparta o nią, następnie przemieścić piłę do przodu celu zakończenia wykrawania wewnętrznego.
- Do tego rodzaju cięcia stosować wyłącznie brzeszczoty o siedmiu 7 zębach na cal.

CIĘCIE METALU

Za pomocą tej wyrzynarki można ciąć wiele rodzajów metalu. Uważać, aby nie zginać brzeszczotów w osi poziomej ani pionowej. Przede wszystkim, nie forsujcie szlifierki.

Jeśli brzeszczot wpada w nadmierne drgania, użyć brzeszczotu o cieńszych zębach lub wyższej prędkości roboczej. Jeśli brzeszczot nagrzewa się nadmiernie, użyć niższej prędkości roboczej. W przypadku wypełnienia lub zatkania zębów brzeszczotu podczas cięcia miękkich metali, takich jak aluminium, należy zastosować brzeszczot o grubszych zębach lub niższą prędkość. Podczas cięcia metali zaleca się stosować olej chłodzący brzeszczot, poprawiający wydajność cięcia i przedłużający żywotność brzeszczotów. Zaciśnąć bezpiecznie obrabiany przedmiot i wykonać cięcie w pobliżu miejsca zacisku, aby wyeliminować drgania obrabianego przedmiotu.

W przypadku przecinania przewodów, rur lub kątowników, obrabiany przedmiot należy, jeśli to możliwe, zaciśnąć w imadle i wykonywać cięcie blisko imadła. W celu cięcia cienkich blach, należy zaciśnąć pomiędzy dwoma płytami z drewna czy sklejki i ciąć całość, tak by uniknąć wibracji czy rozzerwania materiału. Pozwoliło uzyskać czyste i wyraźne cięcie materiału. Rozrysować linie cięcia od góry na "kanapce".

⚠ Ważne!

Podczas cięcia metalu, odsłoniętą prowadnicę brzeszczotu należy utrzymywać w czystości i w stanie wolnym od wirów metalowych, wycierając ją systematycznie szmatką nasączoną olejem. Zachować szczególną ostrożność podczas usuwania zaolejonych materiałów na zakończenie pracy, aby uniknąć ryzyka pożaru.

RÓWNOLEGŁY PROWADNIK CIĘCIA

Zobacz rysunek 9.

Urządzenie wyposażone jest w prowadnicę krawędziową

przystadną do wykonywania cięć poprzecznych i wzdłużnych.

SPOSÓB INSTALACJI:

- Odłączyć wyrzynarkę z gniazda sieciowego.

⚠ OSTRZEŻENIE

Jeżeli szlifierka nie została odłączona, może dojść do przypadkowego włączenia, grożącego poważnymi obrażeniami ciała.

- Ramię prowadnicy umieścić w dwóch gniazdach podstawy wyrzynarki.
- Ustawić prowadnicę wzdłużną na żądaną szerokość cięcia i dokręcić śrubę, zabezpieczając prowadnicę na swoim miejscu.

⚠ OSTRZEŻENIE

Do napraw używać wyłącznie oryginalnych części zamiennych. Stosowanie nieoryginalnych części zamiennych może stwarzać zagrożenie dla zdrowia użytkownika lub spowodować uszkodzenie urządzenia.

ABY PODŁĄCZYĆ SYSTEM USUWANIA PYŁU (NIE DOŁĄCZONY)

- Odłączyć urządzenie z gniazda sieciowego.

⚠ OSTRZEŻENIE

Jeżeli piła nie została odłączona, może dojść do przypadkowego włączenia, grożącego poważnymi obrażeniami ciała.

- Podłączyć dyszę systemu odprowadzania pyłu do złącza zasysania pyłu.

LAMPKA KONTROLNA PODŁĄCZENIA POD NAPIĘCIE

Narzędzie jest wyposażone w kontrolkę, które świeci się, gdy urządzenie jest podłączone do źródła zasilania. Ostrzega użytkownika o tym, że urządzenie jest podłączone do zasilania i zostanie uruchomione po naciśnięciu przycisku.

KONSERWACJA

ZALECENIA OGÓLNE

Wszystkie inne podzespoły stanowią ważne elementy izolacji klasy II i powinny być serwisowane wyłącznie przez wykwalifikowany personel.

Polski

Nie stosować rozpuszczalników do czyszczenia elementów plastikowych. Większość plastików nie jest odporna na działanie rozpuszczalników dostępnych w handlu. Pył, kurz, środki smarujące, tłuszcz itd. powinny być usuwane za pomocą czystych szmatek.

⚠ OSTRZEŻENIE

Elementy plastikowe nigdy nie powinny być w kontakcie z płynem hamulcowym, benzyną, czy produktami na bazie ropy naftowej, przenikliwymi olejami itd. Substancje te zawierają produkty chemiczne, które mogłyby uszkodzić, osłabić lub zniszczyć plastik.

Urządzenia elektryczne ulegają szybszemu zużyciu i mogą ulec przedczesnemu uszkodzeniu w przypadku obróbki elementów wykonanych z włókna szklanego, np. łodzi lub pojazdów sportowych, płyt ściennych lub tynku.

Wióry i opilki tych materiałów mają wysokie właściwości ściernie w stosunku do podzespołów urządzeń elektrycznych takich jak łożyska, szczotki, komutatory itp. W związku z tym przedłużone używanie tego narzędzia na włóknie szklanym, na płytach pokryciowych, powłokach do szpachlowania lub gipsu jest zdecydowanie odradzane. Podczas użytkowania tego typu materiałów szczególnie ważne jest, aby narzędzie czyścić systematycznie strumieniem sprężonego powietrza.

SMAROWANIE

Wszystkie łożyska urządzenia zostały nasmarowane odpowiednią ilością smaru o wysokiej jakości, który powinien zapewnić odpowiednie smarowanie tych części przez cały okres żywotności urządzenia. W wyniku czego, nie zachodzi potrzeba dodatkowego smarowania.

⚠ UWAGA

Przedłużacz należy prowadzić z dala od miejsca cięcia, w taki sposób, aby nie został pociągnięty przez np. gałęzie lub narzędzia podczas cięcia.

⚠ OSTRZEŻENIE

Przed każdym użyciem należy skontrolować stan techniczny przedłużacza i wymienić je w razie uszkodzenia. Nie wolno używać urządzenia z uszkodzonym przewodem zasilania, dotknięcie uszkodzonego miejsca grozi porażeniem prądem i poważnymi obrażeniami.

Przedłużacze odpowiednie do zasilania tego narzędzia dostępne są w najbliższym punkcie serwisowym.

⚠ OSTRZEŻENIE

Podczas użytkowania elektronarzędzi lub wydmuchiwania pyłu należy zawsze nosić okulary ochronne z osłonami bocznymi. Jeśli wykonywanej pracy towarzyszy powstawanie pyłu, należy również stosować maskę przeciwpyłową.

OCHRONA ŚRODOWISKA

Surowce należy oddawać do recyklingu zamiast wyrzucać je na śmieci. Z myślą o ochronie środowiska, narzędzie, akcesoria i opakowania powinny być sortowane.

SYMBOL

Alarm bezpieczeństwa

V

Wolt

Hz

Herc

~

Prąd przemienny

W

Wat

n_0

Prędkość bez obciążenia

min^{-1}

Ilość obrotów czy ruchów na minutę



Zakres możliwości cięcia w drewnie



Zgodność CE



Podwójna izolacja



Stosować środki ochrony słuchu



Stosować środki ochrony wzroku



Przed uruchomieniem urządzenia prosimy uważnie przeczytać instrukcję



Zużyte produkty elektryczne nie powinny być utylizowane z odpadami domowymi. Prosimy poddawać recyklingowi w odpowiednich miejscach. Informacje o właściwych metodach recyklingu można uzyskać u władz lokalnych lub sprzedawcy.

Čeština

POPIS

1. Spínač
2. Tlačítko zamknutí
3. Ochrana pilového listu
4. Základová deska
5. Drážka
6. Pilový kotouč
7. Napojení na odsávání prachu
8. Vodičí rolnička pro přesný řez
9. Otvor
10. Vodítko paralelního řezu
11. Utahovací šroub vodítka pro paralelní řez
12. Páčka rychloupínacího systému
13. Světelný indikátor napětí
14. Držák
15. Šrouby
16. Regulátor rychlosti
17. Systém nastavení kmitavého pohybu
18. Schránka na úschovu pilových listů

ZVLÁŠTNÍ BEZPEČNOSTNÍ PŘEDPISY

- Pokud pracujete v prachu, noste také respirátor.
- Před sundáním nástroje počkejte, až se fréza zastaví. Nechráněná fréza může zasáhnout předměty, což může zapříčinit ztrátu kontroly a vážné poranění.
- Držte nářadí pouze za izolované části s protiskluzovou úpravou, pokud pracujete s materiálem, ve kterém mohou být elektrické kabely nebo pokud pracujete v poloze, při které by se napájecí kabel mohl dostat do trasy řezu. Při náhodném kontaktu s vodiči pod napětím jsou pod proudem i kovové části nářadí (vzhledem k elektrické vodivosti) a můžete dostat elektrickou ránu.
- Pokud je napájecí kabel poškozen, musí být nahrazen pouze výrobcem nebo pověřeným servisním střediskem za účelem odstranění nebezpečí.

TECHNICKÉ ÚDAJE

Elektrické napětí	230 V ~ 50 Hz
Jmenovitý příkon	600 W
Rázy za minutu	800 - 3000 min ⁻¹
Délka rázu	19 mm
Maximální průřez	
Dřevo	70 mm
Ocel	6 mm

VLASTNOSTI

POZNEJTE SVOU PILU

Před použitím vaší pily se seznámte se všemi vlastnostmi obsluhy a bezpečnostními požadavky.

ELEKTRICKÉ PŘIPOJENÍ

Tento výrobek obsahuje přesně zkonstruovaný elektrický motor. Smí se připojovat pouze k napájení dle výkonnostního štítku. Neprovodujte tento výrobek na stejnosměrném proudu (DC). Velký pokles napětí způsobí ztrátu výkonu a přehřátí. Pokud nástroj nefunguje, když je zapojen v zásuvce, zkontrolujte zdroj napájení.

VAROVÁNÍ

Neseznamujte se s tímto výrobkem tak, abyste ztratili opatrnost. Nezapomeňte, že i pouhý okamžik nepozornosti může být příčinou závažného úrazu.

OBSLUHA

SPÍNAČ

Viz obrázek 1.

- Pro zapnutí pily stiskněte spínač spouště.
- Uvolněte spínač spouště pro VYPNUTÍ (off) pily.

TLAČÍTKO ZAMKNUTÍ

Viz obrázek 1.

vaše pila je vybavena funkcí zámku, která je vhodná pro dlouhé souvislé řezy. Pro uzamknutí stiskněte spínač spouště, nasuňte a přidržte zamykací tlačítko umístěné na boku rukojeti, pak spínač spouště uvolněte. Uvolněte tlačítko zámku a vaše pila bude dále běžet.

Pro uvolnění zámku stiskněte a uvolněte spínač spouště. Pokud se během práce aktivuje funkce zámku a vaše pila se odpojí od zdroje energie, ihned deaktivujte funkci zámku.

VAROVÁNÍ

Před připojením vaší pily ke zdroji napájení se vždy ujistěte, že není v uzamknuté poloze (stiskněte a uvolněte spínač spouště). Nedodržení pokynu může způsobit náhodné spuštění pily s následkem vážného osobního poranění. Nebloukejte pilu v zapnuté poloze, pokud si vaše řezací práce vyžaduje časté vypínání pily.

Čeština

PRO INSTALACI KOTOUČŮ

Viz obrázek 3.

- Odpojte nástroj.

⚠ VAROVÁNÍ

Pokud pila není odpojena od elektrické sítě, existuje riziko nechtěného spuštění nářadí, které může být příčinou závažného úrazu.

- Otočte nástroj horní stranou dolů.
- Otáčejte páku rychlého uvolnění proti směru otáčení hodinových ručiček a udržujte v poloze.
- Vložte kotouč do drážky ve válečkovém vodičku, ujistěte se, že je zadní část pilového kotouču řádně vložena do drážky.

POZNÁMKA: Používejte pouze T-vřetena pilového kotouču.

- Zatlačte pilový kotouč do upínadla kotouču co nejdále to jde.
- Uvolněte páku rychlého uvolnění.

⚠ VAROVÁNÍ

Abyste zabránili vážnému poranění vždy noste bezpečnostní brýle nebo bezpečnostní brýle s postranními štítky. Mějte ruce i prsty mimo kryt motoru a upevnění kotouču a nesahejte pod obrobek během řezání.

⚠ VAROVÁNÍ

Abyste si nezpůsobili vážný úraz, nepoužívejte pilu bez krytů.

PROMĚNNÁ RYCHLOST

Viz obrázek 8.

Vaše pila má regulátor rychlosti navržený pro řízení a seřizování hranic rychlosti a výkonů. Rychlost a výkon vaší pily lze zvýšit či snížit otáčením regulátoru rychlosti ve směru šipek.

POZNÁMKA: Pokud chcete zvýšit rychlost a výkon pily, držte pilu v normální pracovní poloze a otáčejte regulátorem rychlosti v protisměru pohybu hodinových ručiček. Otáčejte pro snížení výkonu a rychlosti ve směru otáčení hodinových ručiček.

Pokud si přejete spínač zamknout na dané rychlosti, stiskněte spínač spouště, zatlačte a držte tlačítko zámku a uvolněte spínač spouště. Dále seřizujte regulátor rychlosti, dokud nezískáte požadovanou rychlost.

Zamezte běhu pily při nízké rychlosti pro delší dobu. Běh při nízkých otáčkách během soustavného používání může způsobit přehřátí pily. V tom případě nechte pilu pracovat maximální rychlostí naprázdno, aby se zchladil motor.

Následující pokyny lze použít pro zjištění správné rychlosti pro různá použití:

- **LOW** (nízká) je ideální, když je zapotřebí min. rychlost a výkon, např. při začínání řezu.
- **MEDIUM** (střední) rychlost je vhodná pro řezání tvrdých kovů, plastů a laminátů.
- **HIGH** (vysoká) rychlost vytváří nejlepší výsledky, když je zapotřebí max. výkonu, např. při řezání dřeva. Měkké kovy jako hliník, mosaz a měď také vyžadují vysoké rychlosti.

ÚLOŽIŠTĚ KOTOUČŮ

Viz obrázek 2.

Pomocná funkce vaší pily je úložiště kotouču. Tato schránka se nachází za hrdlem pro odsávání prachu. Vhodné pro skladování náhradních kotoučů při nepoužívání.

- **Pro otevření:** Zatlačte dvířka dolů palcem nebo jiným prstem.
- Umístěte kotouč do úložiště kotoučů.
- **Pro uzavření:** Zatlačte dvířka nahoru palcem nebo jiným prstem.

⚠ VAROVÁNÍ

Ne vkládejte do ventilačních otvorů pilový kotouč, protože by mohl přijít do kontaktu s elektricky živými díly a způsobit vážný úraz elektrickým proudem.

⚠ VAROVÁNÍ

Nikdy nepřipojujte ke zdroji napájení, když se montují díly, provádí seřizování, vkládají nebo vyndávají kotouču, čistí, nebo když se nepoužívá. Odpojením předejdete náhodnému spuštění a tím vážnému osobnímu poranění.

OBECNÉ ŘEZÁNÍ

Viz obrázek 4.

Opřete přední část základny pily na obrobek a srovnejte řeznou hranu s čarou na obrobku. Přesvědčte se, že je napájecí kabel mimo pilový kotouč a není v linii řezu. Spusťte svou pilu a nasuňte ji vpřed na obrobek. Používejte přítlak k ustálení pily a pouze nutný tlak vpřed, aby kotouč řezal.

Čeština

⚠ VAROVÁNÍ

Netlačte na pilu. Tlačení na pilu může přehřívát motor a zablokovat kotouč.

VIBRAČNÍ POHYB

Viz obrázek 4.

Pilový list při řezání vykonává kmitavý pohyb. Tato funkce je nastavitelná a umožňuje zvýšit účinnost a rychlost řezacích prací. Pomocí orbitálního pohybu kotouče řeze obrobek s tahem nahoru, ale nezarází se v obrobku směrem dolů.

- Vyšší nastavení (H) je třeba použít, když rychle řežete měkký materiál.
- Nižší (L) nastavení třeba použít, když rychle řežete materiál s větším odporem.

PŘÍMÝ ŘEZ

Viz obrázek 4.

Přímý řez lze provádět přichycením kusu dřeva nebo srovnávací latě k obrobku a vedení okraje pily proti němu. Provádějte řez pouze v jednom směru, neřežte do poloviny a zbytek pak z opačné strany.

SPIRÁLOVÝ ŘEZ

Viz obrázek 5.

Spirálové řezy lze provádět vaší pilou vedením směru řezu pod tlakem na rukojeť.

⚠ VAROVÁNÍ

Nadměrný boční tlak na kotouč může poškodit jak kotouč tak obrobek.

ÚHLOVÝ ŘEZ (POKOSOVÝ ŘEZ)

Viz obrázek 6.

Úhly šikmého řezu lze nastavit mezi 0° a 45° vpravo či vlevo. Úhly řezů od 0° do 45° po 22,5° krocích, jsou vyznačeny na měřítku na levé i pravé straně základny. Doporučuje se používat úhломěr při přesných řezech.

SEŘÍZENÍ ÚHLU

Viz obrázek 6.

- Uvolněte šroub uchycení základny klíčem, až ji lze odsunout.
- Nasunujte základnu lehce vpřed pro uvolnění základny z výstupku na krytu motoru.
- Srovnejte značku na základě požadovaného úhlu s okrajem krytem motoru.
- Jakkmile dosáhnete požadovaného úhlu, nasunujte

základnu zpět, dokud se výstupek na krytu motoru nesrovná s vhodným výstupkem na zadní straně základny.

- Umístěte držák pro válečkové vodítko tak, že je válečkové vodítko vede těsně proti zadní straně pilového kotouče. Přesné řezy jsou možné pouze, když válečkové vodítko vede těsně proti zadní straně pilového kotouče.
- Utáhněte šroub uchycení základny klíčem, až je základna zabezpečena.

PRO VNOŘENÝ ŘEZ

Viz obrázek 7.

⚠ VAROVÁNÍ

abyste zabránili ztrátě kontroly, zlomení kotouče nebo zničení materiálu k řezání buďte velmi opatrní při provádění vnořených řezů. Nedoporučujeme vnořené řezy na materiálech jiných jak dřevo.

- Na obrobek jasně vyznačte čáru řezu.
- Nastavte úhel řezání na 0°.
- Naklopte pilu dopředu, takže zůstává na předním okraji základny a kotouč nepřichází do kontaktu s obrobkem, když se pila zapne.
- Ujistěte se, že kotouč uvnitř oblasti řezání.
- Spustte svou pilu při vysoké rychlosti a pomalu zasunujte kotouč do obrobku, dokud kotouč neřeže dřevem.
- Pokračujte v záběru pilového listu s řezaným materiálem, dokud není základová deska rovněž v kontaktu s řezaným materiálem, pak přemístěte pilodopředu, abyste dokončili vnitřní řez.
- Používejte kotouč se 7 zuby na palec pro tento typ řezu.

ŘEZÁNÍ KOVŮ

S touto pilou lze řezat mnoho druhů kovu. Dávejte pozor, aby se kotouč nestočil či neohnul. Na brusku zásadně netlačte násilím.

Pokud kotouč nadměrně drnčí nebo vibruje, použijte kotouč s jemnými zuby nebo vysokou rychlost. Pokud se kotouč nadměrně zahřívá, snižte rychlost. Pokud se zub kotouče zasekne při řezání měkkého materiálu, např. hliníku, použijte kotouč s hrubými zuby či snižte rychlost. Doporučujeme, používat olej při řezání kovů, aby se kotouč udržoval chladný, zvyšovalo řezání a prodloužila životnost kotouče. Pevně obrobek upněte a řezejte v blízkosti bodu upnutí, abyste zabránili vibraci obrobku během řezání.

Čeština

Když řežete potrubí, roury nebo tvarovaný kov, upněte obrobek ve svěráku, je-li to možné a pilu uzavřete ve svěráku. Při řezání tenkých plechů, je nutné plech vložit sendvičově mezi dvě dřevěné desky nebo překližky a řezat všechny ty vrstvy najednou, aby nedošlo k nadměrnému ochvění pilového listu nebo roztržení plechu při řezání. Tento postup umožní čistý řez tenkým materiálem. Nikdy desky nevrstvěte nebo neřezejte na horní vrstvě "sendviče".

⚠ Důležité!

Když řežete kov, udržujte vystavenou část lišty pily a bez kovových pilin častým otíráním naolejovanou textilií. Buďte opatrní při manipulaci s textiliemi napuštěnými olejem po dokončení práce, abyste zabránili nebezpečí požáru.

VODÍTKO PARALELNÍHO ŘEZU

Viz obrázek 9.

Příměrné pravítko je k dispozici pro používání s vaší pilou a lze jej použít pro příčné řezy a zářezy.

PRO INSTALACI:

- Odpojte pilu.

⚠ VAROVÁNÍ

Pokud bruska není odpojena od elektrické sítě, existuje riziko nechtěného spuštění nářadí, které může být příčinou závažného úrazu.

- Vložte rameno příměrného pravítka do dvou otvorů v základně vaší pily.
- Seřídte příměrné pravítko na požadovanou šířku a uzamkněte šroubem příměrného pravítka.

⚠ VAROVÁNÍ

Při údržbě používejte pouze stejné náhradní díly. Použití jakýchkoliv jiných dílů může vytvořit nebezpečí nebo způsobit poškození výrobku.

PRO PŘIPOJENÍ ZAŘÍZENÍ EXTRAKCE PRACHU (NEPŘIBALENO)

- Odpojte nástroj.

⚠ VAROVÁNÍ

Pokud pila není odpojena od elektrické sítě, existuje riziko nechtěného spuštění nářadí, které může být příčinou závažného úrazu.

- Připojte trysku systému sběru prachu do zásuvky nádoby pro prach.

SVĚTELNÝ INDIKÁTOR NAPĚTÍ

Nástroj je vybaven světelným indikátorem napětí, který se rozsvítí, jakmile se nástroj připojí ke zdroji napětí. Tato kontrolka upozorňuje uživatele nářadí, že je pod napětím a že se uvede do provozu při stisknutí přepínače.

ÚDRŽBA

VŠEOBECNÉ POKYNY

Všechny ostatní díly reprezentují důležitou část izolačního systému třídy II a smí být opravovány kvalifikovaným servisním pracovníkem.

Vyhnete se používání rozpouštědel, když čistíte plastové díly. Mnoho plastů je citlivých na poškození různými typy komerčních rozpouštědel. Používejte čisté utěrky pro odstranění nečistot, prachu, oleje, mastnoty, atd.

⚠ VAROVÁNÍ

Plastové části nářadí nesmí nikdy přijít do styku s brzdovou kapalinou, benzínem, produkty na bázi ropy, regenerovanými maznými oleji apod. Tyto výrobky obsahují chemikálie, které mohou poškodit, oslabit nebo zničit plastové části, případně snížit jejich životnost.

Bylo zjištěno, že se elektrické nástroje rychleji opotřebovávají s následkem předčasného selhání na sklolaminátu, vozech, dřevotřískách nebo omítkách.

Piliny a brusný prach z těchto materiálů je vysoce abrazivní pro díly elektrických nástrojů, např. ložisek, kartáčů, komutátorů, atd. Z tohoto důvodu se nedoporučuje dlouhodobé používání nářadí k řezání skleněného vlákna, fasádních desek, vyrovnávacích nebo sádrových desek. Během používání na těchto materiálech je velmi důležité, aby se nástroj pravidelně čistil ofukováním proudem vzduchu.

MAZÁNÍ

Veškerá ložiska nářadí byla výrobcem namazána dostatečným množstvím vysoce účinného maziva, které stačí na celou dobu životnosti nářadí při normálních podmínkách používání. Žádné další mazání nářadí není nutné.

⚠ POZOR

Udržujte prodlužovací kabel mimo oblast řezání a umístěte kabel tak, aby se nezachytil o překážky, nástroje nebo jiné objekty, atd. během řezání.

Čeština

⚠ VAROVÁNÍ

Zkontrolujte prodlužovací kabel před každým použitím, je-li poškozen, vyměňte jej. Nikdy nepoužívejte stroj s poškozeným kabelem, protože dotyk tohoto poškozeného místa může způsobit těžký úraz elektrinou.

Prodlužovací kabely vhodné pro používání s vaší pilou jsou dostupné u nejbližšího servisního střediska.

⚠ VAROVÁNÍ

Vždy noste bezpečnostní brýle nebo bezpečnostní brýle s postranními štítky, když obsluhujete elektricky poháněný nástroj nebo při rozdmýchávání (tvorbě) prachu. Pokud pracujete v prachu, noste také respirátor.

OCHRANA ŽIVOTNÍHO PROSTŘEDÍ



V rámci možností neodhazujte vysloužilý výrobek nebo jeho části do domovního odpadu a snažte se o jejich recyklaci. V souladu s předpisy na ochranu životního prostředí odkládejte vysloužilé nářadí, příslušenství i obalový materiál do tříděného odpadu.

SYMBOL



Bezpečnostní výstraha

V Volt

Hz Hertz

~ Střídavý proud

W Watt

no Otáčky naprázdno

min⁻¹ Počet otáček nebo pohybů (kmitů) za minutu



Maximální řezací kapacita do dřeva



Shoda CE



Dvojitá izolace



Noste ochranu sluchu



Noste ochranu očí



Před spuštěním přístroje si řádně přečtěte pokyny.



Odpad elektrických výrobků se nesmí likvidovat v domovním odpadu. Recyklujte prosím na sběrných místech. Ptejte se u místních úřadů nebo prodejce na postup při

Magyar

LEÍRÁS

1. Kapcsológomb
2. Reteszelő gomb
3. Védőburkolat
4. Alaplap
5. Rovátka
6. Fűrészlap
7. Porelszívó csonc
8. Vezetőgörgő
9. Nyílás
10. Párhuzamvezető
11. Párhuzamvezető rögzítőcsavar
12. Fűrészlap gyorsrögzítő kar
13. Működésjelző lámpa
14. Tartóját
15. Csavar
16. Fordulatszám szabályozó
17. Előtölési fokozat (lengő mozgás) beállító
18. Fűrészlap tároló rekesz

SPECIÁLIS BIZTONSÁGI ELŐÍRÁSOK

- Ha a használat poros környezetben történik, vegyen fel egy pormaszkot is.
- Mielőtt letenné a gépet, várja meg, amíg a fűrészlap megáll. A mozgó fűrészlap beakadhat a felületbe, ami a gép fölötti utalom elvesztéséhez és komoly sérülésekhez vezethet.
- A gépet kizárólag a szigetelt, csúszásgátló részénél fogja, ha olyan felületen dolgozik, amelyben elektromos vezeték lehet, vagy amikor olyan munkát kell végeznie, melynek során a tápvezeték a gép útjába kerülhet. A feszültség alatt lévő villanyvezetékekkel történő érintkezés során a gép fém részei feszültség alá kerülhetnek, ami áramütést okozhat.
- Ha a tápkábel sérült, azt a veszélyek elkerülése érdekében csak a gyártó vagy annak hivatalos szervizközpontja cserélheti ki.

MŰSZAKI ADATOK

Feszültség	230 V ~ 50 Hz
Teljesítmény	600 W
Löklet percenként	800 - 3000 min ⁻¹
Lökethossz	19 mm
Vágásteljesítmény	
Fa	70 mm
Acél	6 mm

FUNKCIÓ

ISMERJE MEG A FŰRÉSZT

Mielőtt megpróbálja használni a fűrészst, ismerkedjen meg az összes működési jellemzővel és a biztonsági követelményekkel.

ELEKTROMOS CSATLAKOZÁS

A fűrész precíziós elektromos motorral van felszerelve. A gépet csak az adattáblán megadott típusú áramforráshoz lehet csatlakoztatni. Ne működtesse a gépet egyenáramról (DC). Egy nagyobb feszültség-ingadozás teljesítményvesztést és túlmelegedést okoz. Ha a gép nem működik a hálózathoz való csatlakoztatás után, ellenőrizze újra a hálózati feszültséget.

FIGYELEM

Ne engedje, hogy a gép mind alaposabb ismerete figyelmetlenné tegye. Soha ne feledje, hogy egy pillanatnyi figyelmeletlenség is elegendő ahhoz, hogy súlyosan megsérüljön.

HASZNÁLAT

KAPCSOLÓGOMB

Lásd a(z).1 ábrát.

- A fűrész bekapcsolásához nyomja be a kapcsolót.
- Engedje fel a kioldókapcsolót a fűrész kikapcsolásához.

RETESZELŐ GOMB

Lásd a(z).1 ábrát.

A fűrész fel van szerelve egy reteszelő funkcióval, ami kényelmessé teszi a vágást a hosszabb ideig tartó folyamatos vágások során. A reteszeléshez nyomja be a kioldókapcsolót, nyomja be és tartsa benyomva a fogantyú oldalán található reteszelő gombot, majd engedje fel a kioldókapcsolót. Engedje el a reteszelő gombot, és a fűrész folyamatosan működik.

A reteszelés kioldásához nyomja be a kioldókapcsolót és engedje fel.

Ha használat közben a reteszelő funkció be van húzva és a fűrészst leválasztják az elektromos hálózatról, azonnal oldja ki a reteszelőt.

Magyar

▲ FIGYELEM

A fűrészt elektromos hálózatba való csatlakoztatása előtt mindig ellenőrizze, hogy a kapcsoló biztosan nincs reteszelt állapotban (nyomja be és engedje fel a kioldókapcsolót). Ennek elmulasztása esetén a fűrészt véletlenül beindulása súlyos sérülést eredményezhet. Olyan munkáknál se reteszelve a fűrészt "be" állásban, melyek a szerszám gyakori leállítását igénylik.

A FŰRÉSZLAPOK BERAKÁSA

Lásd a(z).3 ábrát.

- Húzza ki a gépet az elektromos hálózatból.

▲ FIGYELEM

Ha nem húzza ki a hálózati aljzatból a fűrészt vezetékét, akkor ez a gép véletlenszerű beindítását idézheti elő, ami súlyos testi sérüléssel járó balesetet okozhat.

- Fordítsa fejjel lefelé a gépet.
 - Forgassa el a gyorskioldó kart az óramutató járásával ellentétes irányba, és tartsa a helyén.
 - Helyezze be a fűrészlapot a vezetőgörgön lévő vátatba, ügyelve arra, hogy a fűrészlappal megfelelően legyen behelyezve a vátatba.
- MEGJEGYZÉS:** Csak T-befogású fűrészlappal használható.
- Nyomja be a fűrészlappal a fűrészlapprogizító szorítóba amennyire csak lehet.
 - Engedje fel a gyorskioldó kart.

▲ FIGYELEM

A súlyos sérülések elkerülése érdekében mindig viseljen védőszemüveget, ami a szemet oldalról is védi. A kezeit és az ujjait tartsa távol a motor burkolatától és a fűrészlappal szorítójától. Ne nyúljon a munkadarab alá, ha éppen vág a fűrészlappal.

▲ FIGYELEM

A súlyos személyi sérülések megelőzése érdekében ne működtesse a fűrészt, ha a biztonsági védőburkolat nincs megfelelően a helyére téve.

VÁLTOZTATHATÓ FORDULATSZÁM

Lásd a(z).8 ábrát.

A fűrészt el van látva egy változtatható fordulatszám-szabályzóval, amely lehetővé teszi a kezelőnek a

fordulatszám és a teljesítmény változtatását és beállítását. A fűrészt fordulatszám és teljesítménye növelhető vagy csökkenthető a változtatható fordulatszám-szabályzó elforgatásával a nyílak irányába.

MEGJEGYZÉS: Helyezze a fűrészt normál állásba és fordítsa a fordulatszám szabályzót az óramutató járásával ellentétes irányban a fordulatszám és a teljesítmény növeléséhez. Fordítsa az óramutató járásának irányába a fordulatszám és a teljesítmény csökkentéséhez.

Ha az adott fordulatszámon rögzíteni szeretné a kapcsolót, nyomja be a kioldókapcsolót, nyomja be és tartsa a reteszelő gombot, majd engedje fel a kioldókapcsolót. Ezután állítsa be a változtatható fordulatszám-szabályzót, amíg el nem éri a kívánt fordulatszámot.

Kerülje a fűrészt hosszabb ideig alacsony sebességen való működtetését. Alacsony fordulatszámon történő folyamatos használat a fűrészt túlhevülését okozhatja. Ebben az esetben működtesse a fűrészt terhelés nélkül maximális fordulatszámon, hogy le tudjon hűlni.

A következő irányelvek használatával meghatározható a megfelelő fordulatszám a különböző alkalmazásokhoz:

- **LOW** fordulatszám akkor ideális, ha minimális fordulatszámra és teljesítményre van szükség, például a vágások megkezdésekor.
- **MEDIUM** fordulatszám megfelelő kemény fémek, műanyagok vagy laminált lemezek vágásához.
- **HIGH** fordulatszám használatával érhető el a legjobb eredmény akkor, ha maximális teljesítmény szükséges, például fa vágásakor. Puha fémek, mint az alumínium, bronz és réz szintén nagy fordulatszámot igényelnek.

A FŰRÉSZLAP TÁROLÁSA

Lásd a(z).2 ábrát.

A fűrészt egyik kényelmi funkciója a fűrészlappal tároló. Ez a rekesz a porszivattyú csomagtartó mögött található. Kényelmesen használható további fűrészlappal tárolására, ha nincsenek használásban.

- **Kinyitás:** Húzza le az ajtót a hüvelykujjával vagy az ujjával.
- Helyezze a fűrészlappal a fűrészlaptartó területre.
- **Bezárás:** Nyomja felfelé az ajtót a hüvelykujjával vagy az ujjával.

▲ FIGYELEM

Ne helyezze a fűrészlappal a szellőzőnyílásokba, mert érintkezésbe kerülhet az elektromos áram alatt levő belső részekkel, és áramütést okozhat, ami súlyos sérülésekhez vezethet.

Magyar

▲ FIGYELEM

Alkatrészek szerelésekor, beállítás végzésekor, fűrészlapok felszerelésekor vagy cseréjekor, illetve használaton kívül mindig húzza ki a fűrészt az elektromos hálózathoz. A szerszám hálózathoz történő leválasztása megakadályozza a véletlen bekapcsolódást, ami súlyos sérülést okozhat.

ÁLTALÁNOS VÁGÁS

Lásd a(z).4 ábrát.

Fektesse a fűrész alaplapjának elejét a munkadarabra, és igazítsa egy vonalba a fűrész vágóélét a munkadaragon lévő vonallal. Ügyeljen arra, hogy a tápkábel ne legyen a fűrészlap útjában vagy a vágási vonalon. Indítsa be a fűrészt, és tolja előre a munkadarab felületén. Fejtsen ki lefelé irányuló nyomást a fűrészre, hogy stabilan tartsa, és csak annyira tolja előre, hogy a fűrészlap folyamatosan vágjon.

▲ FIGYELEM

Ne erőltesse a fűrészt. A fűrész erőltetésével felhevítheti a motort és eltörheti a fűrészlapot.

KÖRKÖRÖS MOZGÁS

Lásd a(z).4 ábrát.

A fűrészlap előre/hátra ingamozgással vág. A fűrészlaplengőmozgása állítható, miáltal gyorsabban éshatékonyabban vághat. A körkörös mozgással a fűrészlap felfelé menet vágja a munkadarabot, de nem viszi be az anyagot a munkadarabra lefelé menet.

- A magasabb beállítást (H) kell használni puha anyag gyors vágásakor.
- Az alacsonyabb beállítást (L) kell használni nagy ellenállású anyagok vágásakor.

EGYENES VÁGÁS

Lásd a(z).4 ábrát.

Egyenes vágás úgy végezhető, ha egy szorítóval egy fadarabot vagy egy szintezőlécect rögzít a munkadarabhoz, és a fűrész szelét ennek mentén vezeti. Csak egy irányból végezze a vágást, ne vágjon be a feléig és fejezze be a vágást a másik oldalról.

KACSKARINGÓS VÁGÁS

Lásd a(z).5 ábrát.

Kacskaringós vágások is végezhetők a fűrészszel, ha enyhén nyomást fejt ki a fogantyúra a szükséges irányban, és végigvezeti a fűrészt a kijelölt vágásvonal mentén.

▲ FIGYELEM

A fűrészlapra kifejtett túlzott oldalirányú nyomás a fűrészlap törését vagy a vágandó anyag sérülését okozhatja.

VÁGÁS SZÖG ALATT (FERDEVÁGÁS)

Lásd a(z).6 ábrát.

A ferdevágás szöge 0° és 45° között állítható jobbra és balra. A vágási szög 0° és 45° között van feltüntetve $22,5^\circ$ -os lépésekben az alaplap bal és jobb oldalán található skálán.

Ha pontos vágásokra van szükség, szögmérő használatát ajánlott.

A SZÖG BEÁLLÍTÁSA

Lásd a(z).6 ábrát.

- Lazítsa meg egy kulccsal az alaplapot rögzítő csavart annyira, hogy az alap mozgathatóvá váljon.
- Kissé csúsztassa előre az alaplapot, hogy kioldja azt a motor burkolatán lévő fűlékből.
- Igazítsa egy vonalba a kívánt szögnek megfelelő jelölést és a motor burkolatának szelét.
- A kívánt szög elérésekor hajtsa hátra az alaplapot, amíg a motor burkolatán lévő fül egy vonalba nem áll a megfelelő bevágással az alaplap hátulján.
- Úgy helyezze el a vezetőgörgő tartóját, hogy a vezetőgörgő a fűrészlap hátuljához érjen. Pontos vágások csak akkor lehetségesek, ha a vezetőgörgő erősen hozzányomódik a fűrészlap hátuljához.
- Húzza meg újra egy kulccsal az alaplapot rögzítő csavart az alap rögzítéséhez.

BESZÚRÓ VÁGÁS

Lásd a(z).7 ábrát.

▲ FIGYELEM

Az irányítás elvesztésének, a fűrészlap törésének vagy a vágandó anyag sérülésének elkerülése érdekében a beszűrő vágásokat mindig különös figyelemmel végezze. Nem javasoljuk beszűrő vágások végzését fától eltérő anyagokban.

- Jól láthatóan jelölje be a vágási vonalat a munkadarabon.
- Állítsa a vágási szöget 0° -ra.
- Döntse előre a fűrészt addig, amíg ráfékszik az alaplap elülső élére, de a fűrészlap még nem érintkezik a munkadarabbal a fűrész bekapcsolásakor.

Magyar

- Ügyeljen rá, hogy a fűrészlap a vágandó területen belül legyen.
- Indítsa be a fűrész magas fordulatszámon, és lassan engedje a fűrészlapot a munkadarabba, amíg a fűrészlap át nem vágja a fát.
- Süllyessze addig a fűrészlapot a munkadarabon keresztül, amíg a talp teljes hosszában nem fekszik a felületre, majd ezt követően fejezze be a kivágást, lassan előretolva a gépet.
- Ilyen vágásokhoz csak hüvelykenként 7 fogat tartalmazó fűrészlapot használjon.

FÉM VÁGÁSA

A fűrészszel számos különböző fém vágható.

Ügyeljen rá, hogy a fűrészlap ne hajoljon el és ne csavarodjon meg. Soha ne erőltesse a fűrész.

Ha a fűrészlap túlzottan vibrál vagy rezeg, használjon finomabb fogazatú fűrészlapot, vagy növelje a fordulatszámot. Ha a fűrészlap túlzottan felmelegszik, használjon alacsonyabb fordulatszámot. Ha a fűrész fogai feltöltődnek vagy eltömődnek puha anyagok, például alumínium vágásakor, használjon durva fogazatú fűrészlapot vagy csökkentse a fordulatszámot. Fémek vágása esetén olaj használata javasolt a kések hidegen tartásához, a vágási művelet növeléséhez és a kés élettartamának növeléséhez. Erősen rögzítse a munkadarabot, és közvetlenül a rögzítési pont közelében vágjon, hogy kiküszöbölje a munkadarab vibrációját.

Vezeték, cső vagy szögvas vágásakor hacsak lehetséges, rögzítse a munkadarabot egy satuba, és a satuhoz közel vágjon. A vékony lemezeket két fa- vagy furnérlemez közé szorítva fűrészelve, hogy ne rezegjenek be és nehasadjanak el. Ennek segítségével tiszta és pontos vágás érhető el. Fektesse a vágási mintát vagy vonalat a „szendvics” tetejére.

Fontos!

Fémek vágásakor a fűrészlap vágást végző részét olajos ruhával gyakran megtörölve tartsa tisztán és fémforgáscsól mentesen. Különös figyelemmel járjon el a munka befejeztével az olajos ruházat kidobásakor, hogy elkerülje a potenciálisan tűzveszélyes helyzeteket.

PÁRHUZAMVEZETŐ

Lásd a(z).9 ábrát.

A fűrészhez élvezető csatlakoztatható, és keresztvágásokhoz, valamint hosszanti vágásokhoz használható.

BEHELVEZÉS:

- Húzza ki a fűrész az elektromos hálózatról.

FIGYELEM

Ha nem húzza ki az aljzatból a csiszoló vezetékét, akkor egy véletlenszerű beindítás következtében súlyos testi sérülésekkel járó balesetet okozhat.

- Dugja át az élvezető karját a fűrész alaplapján lévő két furaton.
- Állítsa be az élvezetőt a kívánt szélességre, és rögzítse a helyére az élvezető csavarjával.

FIGYELEM

Szervizelőskor csak azonos cserealkatrészeket használjon. Bármilyen más alkatrész használata veszélyt vagy a termék károsodását okozhatja.

A PORKIHORDÓ RENDSZER (NEM TARTOZÉK) CSATLAKOZÁSA

- Húzza ki a gépet az elektromos hálózatról.

FIGYELEM

Ha nem húzza ki a hálózati aljzatból a fűrész vezetékét, akkor ez a gép véletlenszerű beindítását idézheti elő, ami súlyos testi sérüléssel járó balesetet okozhat.

- Csatlakoztassa a porgyűjtő rendszer fúvókáját a porkimenethez.

MŰKÖDÉSJELEZŐ LÁMPA

A fűrész egy működésjelző lámpával látták el, mely akkor kezd el világítani, amikor a gép csatlakoztatva lett az elektromos hálózatra. Ez a lámpa arra figyelmeztet, hogy a fűrész feszültség alatt van, és be fog indulni, amint a kapcsoló előre csúsztatja.

KARBANTARTÁS

ÁLTALÁNOS ELŐÍRÁSOK

Minden egyéb alkatrész a II. osztályú szigetelési rendszer fontos része, és csak képzett szakember által javítható.

A műanyag részek tisztításakor tartózkodjon a tisztítószerek használatától.

A legtöbb műanyag érzékeny a különböző típusú kereskedelemben kapható oldószerekre. Egy tiszta ruhát használjon a kosz, por, olaj, kenőzsír, stb. eltávolítására.

Magyar

▲ FIGYELEM

Óvja a műanyagból készült részeket fékolajtól, benzintől, és minden egyéb, kőolaj alapú terméktől. Ezek a vegyszerek olyan vegyületeket tartalmaznak, melyek megrongálhatják, meglágyíthatják vagy lebonthatják a műanyagból készült részeket.

Kimutatták, hogy az elektromos gépek gyorsabban kopnak és korábban mehetnek tönkre, ha üvegszálát tartalmazó csónakokon, sportautókon, farostlemezen vagy gipszkartonon használják azokat.

Az ezekből az anyagokból származó forgácsok és reszelékek jelentősen megterhelik az elektromos gép alkatrészeit, például csapágyakat, keféket, kommutátorokat stb. Ebből kifolyólag a fűrésztilos üvegszálás anyag, burkolólap, tömítő- / szigetelőanyag, gipszkarton hosszabb ideig történő vágására használni. Ezen anyagok bármelyikének használatakor különösen fontos a gép gyakori tisztítása légárammal.

KENÉS

A gépben lévő összes csapágy a gép teljes élettartamára elegendő kenőanyaggal van feltöltve, normál körülmények közötti használat esetén. Ebből kifolyólag nincs szükség arra, hogy a gép belső részeit kenje.

▲ VIGYÁZAT

A hosszabbító kábeleket tartsa távol a vágási területtől, és úgy helyezze el a kábeleket, hogy a vágás során ne akadhasanak be fatörzsekbe, szerszámokba stb.

▲ FIGYELEM

Használat előtt mindig ellenőrizze a hosszabbító kábelt, sérülés esetén cserélje ki. Soha ne használja a gépet sérült hosszabbító kábellel, mert a sérült terület megérintése súlyos sérüléssel járó áramütést okozhat.

A fűrészszel használható hosszabbító kábeleket a legközelebbi szervizközpontban vásárolhat.

▲ FIGYELEM

Elektromos szerszámgépek használatakor vagy a por kifúvásakor mindig viseljen védőszemüveget, ami a szemet oldalról is védi. Ha a használat poros környezetben történik, vegyen fel egy pormaszkot is.

KÖRNYEZETVÉDELLEM

Segítse elő az alpanyagok újrahasznosítását azzal, hogy nem helyezi el őket a háztartási szemétben. Környezetvédelmi megfontolásból az elhasználdott gépet és tartozékokat, valamint a csomagolóanyagokat szelektív módon kell gyűjteni.

SZIMBÓLUM

Biztonsági figyelmeztetés

V Volt

Hz Hertz

~ Váltóáram (AC)

W Watt

n_0 Üresjáratú fordulatszám

min^{-1} Fordulatok ill. löketek száma percenként



Maximális vágási teljesítmén fa



CE megfeleléség



Kettős szigetelés



Viseljen fülvédőt



Viseljen szemvédőt



A gép bekapcsolása előtt figyelmesen olvassa el a használati útmutatót.



A kiselejtezett elektromos termékeket nem szabad a háztartási hulladékkal együtt kidobni. Hasznosítsa újra, ha van rá lehetőség. Az újrahasznosítással kapcsolatban érdeklődjön a helyi önkormányzatnál vagy a termék forgalmazójánál.

Română

DESCRIERE

1. Întrerupător
2. Buton de blocare
3. Apărătoarea lamei
4. Talpă
5. Crestătură
6. Lama ferăstrăului
7. Cap de aspirare
8. Rotiță de ghidare
9. Fantă
10. Ghid de tăiere paralelă
11. Șurub de strângere a ghidului de tăiere paralelă
12. Levier de fixare rapidă a lamei
13. Indicator de punere sub tensiune
14. Suportul
15. Șuruburi
16. Variator de viteză
17. Dispozitiv de reglare a mișcării pendulare
18. Compartiment de aranjare a lamelor

REGULI SPECIALE PRIVIND SIGURANȚA

- Dacă mediul de lucru este plin de praf, purtați întotdeauna o mască împotriva prafului.
- Înainte de a lăsa jos scula, așteptați ca dispozitivul de tăiere să se oprească. O sculă de tăiere lăsată liberă poate să intre în contact cu suprafața, conducând la pierderea controlului și/sau la răni grave.
- Nu țineți aparatul decât de părțile izolate și antiderapante când lucrați pe o suprafață care poate ascunde fire electrice sau când lucrarea de efectuat poate aduce cablul de alimentare pe traiectoria aparatului. Un contact cu firele sub tensiune poate transmite curentul spre părțile metalice și poate provoca un șoc electric.
- Dacă cordonul de alimentare electrică este deteriorat, acesta trebuie înlocuit de către producător sau de către un centru de service autorizat pentru a evita riscurile.

SPECIFICAȚII

Tensiune	230 V ~ 50 Hz
Putere	600 W
Curse pe minut	800 - 3000 min ⁻¹
Lungimea cursei	19 mm
Capacitate de tăiere	
Lemn	70 mm
Oțel	6 mm

FUNCȚII

FAMILIARIZAȚI-VĂ CU FERĂSTRĂUL DUMNEAVOASTRĂ

Înainte de a încerca să utilizați ferăstrăul, familiarizați-vă cu toate opțiunile de operare și cerințele privind siguranța.

CONEXIUNEA ELECTRICĂ

Ferăstrăul dumneavoastră are încorporat un motor electric de precizie. Trebuie conectat doar la o sursă de alimentare electrică de tipul specificat pe plăcuța de identificare. Nu utilizați această unealtă la curent continuu (c.c.) (DC). O cădere substanțială de tensiune va conduce la o pierdere de putere și supraîncălzire. Dacă unealta dumneavoastră nu funcționează când este conectată la priză, verificați încă o dată sursa de alimentare.

AVERTISMENT

Nu permiteți ca familiaritatea cu uneltele să vă diminueze atenția acordată. Nu uitați, niciodată, că o secundă de neatenție este suficientă pentru a vă răni foarte grav.

OPERAREA

ÎNTRERUPĂTOR

A se vedea figura 1.

- Pentru a porni ferăstrăul, apăsați pe comutator.
- Eliberați declanșatorul pentru a opri ferăstrăul.

BUTON DE BLOCARE

A se vedea figura 1.

Ferăstrăul dumneavoastră este echipat cu o opțiune de blocare, care este comodă atunci când tăierea continuă pe perioade mari de timp este necesară. Pentru a bloca, apăsați declanșatorul, apăsați și mențineți apăsat butonul de blocare situat pe partea laterală a mânerului, apoi eliberați declanșatorul. Eliberați butonul de blocare, iar ferăstrăul dumneavoastră va continua să opereze.

Pentru a elibera butonul, apăsați declanșatorul și eliberați.

Dacă aveți opțiunea de blocare activată în timpul utilizării, iar ferăstrăul dumneavoastră se deconectează de la sursa de alimentare electrică, dezactivați imediat opțiunea de blocare.

AVERTISMENT

Înainte de a vă conecta ferăstrăul la o sursă de alimentare electrică, verificați întotdeauna pentru a vă asigura că acesta nu este în poziția blocată (apăsați și eliberați declanșatorul). În caz contrar, ferăstrăul dumneavoastră poate porni accidental, ceea ce poate rezulta în răni grave. De asemenea, nu blocați ferăstrăul în poziția "pornit" dacă aveți de efectuat lucrări de tăiere cu multe întreruperi.

Română

PENTRU A INSTALA LAMELE

A se vedea figura 3.

- Deconectați unealta.

AVERTISMENT

Dacă ferăstrăul nu este deconectat, se poate produce o pornire accidentală care poate provoca răniiri corporale grave.

- Răsturnați unealta.
 - Rotiți maneta de eliberare rapidă în sens contrar acelor de ceasornic și mențineți-o în poziție.
 - Introduceți lama ferăstrăului în canelura roții de ghidare, asigurându-vă că partea din spate a lamei ferăstrăului este poziționată corespunzător în canelură.
- NOTĂ:** Doar lamele de ferăstrău cu coadă conică pot fi utilizate.
- Împingeți lama ferăstrăului în clema lamei cât de departe merge.
 - Eliberați mânerul de eliberare rapidă.

AVERTISMENT

Pentru a evita posibila rănire gravă, purtați întotdeauna ochelari de protecție sau ochelari de protecție cu apărători laterale. Țineți mâinile și degetele departe de carcasa motorului și clema lamei și nu atingeți partea de jos a piesei de lucru în timp ce lama taie.

AVERTISMENT

Pentru a evita rănirea gravă, nu utilizați ferăstrăul fără protecția de siguranță fixată corespunzător în poziție.

VITEZĂ VARIABILĂ

A se vedea figura 8.

Ferăstrăul dumneavoastră dispune de un selector variabil de control al vitezei proiectat să permită operatorului să controleze și să ajusteze limitele de viteză și putere. Viteza și puterea ferăstrăului dumneavoastră pot fi sporite sau micșorate rotind selectorul variabil de control al vitezei în direcția săgeților.

NOTĂ: Țineți ferăstrăul în poziția normală de funcționare și rotiți variatorul de viteză în sensul invers acelor de ceasornic pentru a mări viteza și puterea ferăstrăului. Răsuciți în sensul acelor de ceasornic pentru a micșora viteza și puterea.

Dacă doriți să blocați comutatorul la o viteză dată, apăsați pe declanșator, apăsați și mențineți apăsat butonul de

blocare și eliberați declanșatorul. Apoi, reglați selectorul variabil de control al vitezei până ce viteza dorită este atinsă.

Evitați operarea ferăstrăului la viteze reduse pe perioade de timp prelungite. Funcționarea la viteze reduse în mod constant pe parcursul utilizării poate duce la supraîncălzirea ferăstrăului dumneavoastră. În acest caz, puneți în funcțiune ferăstrăul în gol la viteza maximă pentru a-l răci.

Următoarele instrucțiuni pot fi utilizate pentru determinarea vitezei corecte pentru diferite aplicații:

- Viteza LOW (reduasă) este ideală atunci când viteza și puterea minime sunt necesare, de exemplu pentru începerea tăieturilor.
- Viteza MEDIUM (medie) este potrivită pentru tăierea metalelor și materialelor plastice dure și a produselor laminate.
- Viteza HIGH (mare) dă cele mai bune rezultate atunci când este necesară puterea maximă, de exemplu atunci când se taie lemn. Metalele moi, cum ar fi aluminiul, alama și cuprul necesită de asemenea viteze mari.

DEPOZITARE LAMĂ

A se vedea figura 2.

O opțiune comodă a ferăstrăului dumneavoastră este depozitarea lamei. Acest compartiment este situat în spatele capului de aspirare a prafului. Este comod pentru depozitarea lamelor suplimentare, atunci când nu sunt utilizate.

- **Pentru a deschide:** Trageți trapa în jos cu degetul mare.
- Plasăți lamele în zona de depozitare a lamelor.
- **Pentru a închide:** Apăsați trapa în sus cu degetul mare.

AVERTISMENT

Nu introduceți lama ferăstrăului în orificiile de ventilație, deoarece acesta ar putea intra în contact cu componentele interne active din punct de vedere electric și ar putea cauza șocuri electrice, ce ar putea avea ca rezultat rănirea gravă.

AVERTISMENT

Ferăstrăul dumneavoastră nu trebuie să fie conectat niciodată la sursa de alimentare electrică atunci când asamblați componente, faceți reglări, instalați sau înlăturați lame sau atunci când nu este utilizat. Deconectarea unelei previne pornirea accidentală care poate conduce la rănirea gravă.

Română

TĂIEREA GENERALĂ

A se vedea figura 4.

Așezați partea din față a bazei ferăstrăului pe piesa de lucru și aliniați tăișul lamei cu linia de pe piesa dumneavoastră de lucru. Asigurați-vă că cordonul de alimentare nu se află în cale lamei ferăstrăului sau pe linia de tăiere. Porniți ferăstrăul și deplasați-l înainte pe suprafața de lucru. Aplicați o presiune în jos pentru a menține ferăstrăul stabil și doar suficientă presiune înainte pentru a menține tăierea de către lamă.

⚠ AVERTISMENT

Nu vă forțați ferăstrăul. Forțarea ferăstrăului dumneavoastră ar putea supraîncălzi motorul și rupe lamele ferăstrăului.

MIȘCARE ORBITALĂ

A se vedea figura 4.

Lama ferăstrăului taie efectuând o mișcare pendulară. Această funcție este reglabilă și permite o tăiere mai rapidă și mai eficientă. Prin mișcarea orbitală, lama taie prin piesa de lucru într-o cursă ascendentă, însă nu trece prin piesă în cursa descendentă.

- Setările mai mari (H) trebuie utilizate atunci când se taie rapid într-un material moale.
- Setările mai mici (L) trebuie folosite atunci când sunt tăiate materiale cu o rezistență mai mare.

TĂIETURĂ DREAPTĂ

A se vedea figura 4.

O tăietură dreaptă poate fi executată prin prinderea unei bucăți de lemn sau a unui dreptar de piesa de lucru și ghidarea muchiei ferăstrăului pe aceasta. Asigurați-vă că tăiați dintr-o singură direcție, nu tăiați până la jumătate pentru a finaliza tăierea din capătul opus.

TĂIEREA ÎN SPIRALĂ

A se vedea figura 5.

Tăieturile în spirală pot fi executate cu ajutorul ferăstrăului dumneavoastră ghidând tăietura cu o presiune aplicată pe mâner.

⚠ AVERTISMENT

Presiunea laterală excesivă asupra lamei poate conduce la ruperea lamei sau deteriorarea materialului tăiat.

TĂIEREA ÎN UNGHII (TĂIEREA PROFILATĂ)

A se vedea figura 6.

Unghiurile tăierii profilate pot fi ajustate de la 0° la 45° la dreapta sau la stânga. Unghiurile pentru tăieturi de la 0° la 45° în creșteri de 22.5° sunt marcate pe o riglă atârnată pe partea stângă, cât și pe partea dreaptă a bazei.

Se recomandă utilizarea unui raportor atunci când sunt necesare tăieturi precise.

REGLAREA UNGHIIULUI

A se vedea figura 6.

- Desfaceți baza, ținând șurubul cu cheia, până ce baza poate fi mutată.
- Glisați baza ușor înainte pentru a o elibera din aripioara carcasei motorului.
- Aliniați marcajul de la baza unghiului dorit cu marginea carcasei motorului.
- După ce unghiul dorit a fost atins, glisați baza înapoi până ce aripioara de pe carcasa motorului se aliniază cu creștătura corespunzătoare de pe partea din spate a bazei.
- Poziționați suportul pentru roata de ghidare astfel încât până ce ghidare este cu fața spre partea din spate a lamei ferăstrăului. Tăieturile de precizie sunt posibile doar atunci când roata de ghidare atinge partea din spate a lamei ferăstrăului.
- Strângeți din nou baza, menținând șurubul cu cheia, pentru a securiza baza.

PENTRU A FACE O TĂIETURĂ ÎN ADÂNCIME

A se vedea figura 7.

⚠ AVERTISMENT

Pentru a evita pierderea controlului, ruperea lamelor sau avarierea materialului tăiat, fiți întotdeauna extrem de precaut atunci când faceți tăieturi în adâncime. Nu recomandăm tăierea în adâncime pe alte materiale decât lemnul.

- Marcați linia de tăiere în mod clar pe piesa de lucru.
- Setati unghiul de tăiere la 0°.
- Înclinați ferăstrăul în față astfel încât să se așeze pe marginea frontală a bazei, iar lama nu va intra în contact cu piesa de lucru atunci când ferăstrăul este pornit.
- Asigurați-vă că lama este în interiorul zonei ce urmează să fie tăiată.
- Porniți ferăstrăul utilizând viteza înaltă și coborâți lent lama în piesa de lucru până ce lama pătrunde prin lemn.

Română

- Continuați să coborâți lama prin piesa de prelucrat până când talpa este la orizontală pe piesa de prelucrat, apoi deplasați ferăstrăul în față pentru a termina tăierea anterioară.
- Utilizați doar lama cu 7 dinți per țol pentru acest tip de tăietură.

TĂIEREA METALULUI

Multe tipuri de metale pot fi tăiate cu ajutorul ferăstrăului dumneavoastră.

Aveți grijă să nu răsușiți sau îndoiiți lamele. Nu forțați în nici un caz mașina de șlefuit.

Dacă lama trepidează sau vibrează excesiv, utilizați o lamă cu dinții mai rari sau o viteză mai mare. Dacă lama se încălzește excesiv, utilizați o viteză mai redusă. Dacă dinții lamei sunt acoperiți sau astupați la tăierea metalelor moi, cum ar fi aluminiul, utilizați o lamă cu dinți mai lași sau o viteză mai redusă. Vă recomandăm folosirea lubrifianților la tăierea metalelor pentru a menține lama rece, pentru a augmenta acțiunea de tăiere și prelungirea duratei de viață a lamei. Prindeți piesa de lucru ferm și aproape de punctul de pierdere pentru a elimina orice fel de vibrații ale acesteia.

La tăierea conductelor, țevilor sau cornier, prindeți piesa de lucru într-o menghină și tăiați în apropierea acesteia. Pentru tăierea tablei fine, strângeți tabla între două plăci lemn sau de placaj și tăiați-le împreună pentru a evita vibrațiile și deșirarea materialului. Aceasta va permite tăiere curată și precisă a materialului. Amplasați modelul sau linia de tăiere deasupra "sandvișului".

⚠ Important!

La tăierea metalelor, mențineți porțiunea expusă a barei ferăstrăului curată și fără fragmente metalice, ștergând-o frecvent cu o cârpă îmbibată cu ulei. Fiți extrem de precauți atunci când eliminați cărpele îmbibate cu petrol după finalizarea unei activități, pentru a preveni riscurile de incendiu.

GHID DE TĂIERE PARALELĂ

A se vedea figura 9.

O riglă de ghidare este disponibil pentru utilizarea cu ferăstrăul și poate fi folosit pentru executarea tăieturilor în cruce și a tăieturilor prin spintecare.

PENTRU INSTALARE:

- Deconectați ferăstrăul.

⚠ AVERTISMENT

Dacă mașina de șlefuit nu este scoasă din priză, se poate produce o pornire accidentală care poate provoca răni corporale grave.

- Introduceți brațul riglei de ghidare prin cele două fante de la baza ferăstrăului dumneavoastră.
- Ajustați rigla de ghidare la lățimea dorită și blocați în poziție cu ajutorul șurubului riglei.

⚠ AVERTISMENT

În cadrul lucrărilor de reparație, utilizați doar piese de schimb de același tip. Utilizarea oricărui alt tip de piese poate genera o situație de pericol sau poate deteriora produsul.

PENTRU A CONECTA SISTEMUL DE EXTRAGERE A PRAFULUI (NEINCLUS)

- Deconectați unealta.

⚠ AVERTISMENT

Dacă ferăstrăul nu este deconectat, se poate produce o pornire accidentală care poate provoca răni corporale grave.

- Conectați duza sistemului de colectare a prafului la orificiul de praf.

INDICATOR DE PUNERE SUB TENSIUNE

Această unealtă este echipată cu un indicator de punere sub tensiune care se aprinde atunci când unealta este conectată la priză. Acesta avertizează utilizatorul că unealta este sub tensiune și că va porni când este apăsat intrerupătorul.

ÎNȚEȚINEREA

REGULI DE ORDIN GENERAL

Toate celelalte piese reprezintă o parte importantă a sistemului de izolare clasa II și trebuie să fie depanat doar de către un tehnician de service calificat.

Evitați utilizarea solventilor atunci când curățați piesele din plastic.

Majoritatea materialelor plastice pot fi deteriorate de diferite tipuri de solventi comerciali. Utilizați materiale textile curate pentru a îndepărta murdăria, praful, uleiul, grăsimea etc.

Română

⚠️ AVERTISMENT

Elementele din plastic nu trebuie să intre niciodată în contact cu lichid de frână, benzină, produse petroliere, uleiuri etc. Aceste produse chimice conțin substanțe care pot afecta, slăbi sau distruge plasticul.

S-a stabilit că uneltele electrice sunt supuse unei uzuri accelerare și unor posibile defectări premature atunci când sunt folosite pentru bărci din fibră de sticlă, mașini de curse, plăci din fibră sau ghips.

Talașul și rămășițele acestor materiale sunt puternic abrazive pentru piesele uneltei electrice, cum ar fi lagărele, periile, comutatoare etc. În consecință, nu se recomandă utilizarea prelungită a acestei mașini pe fibră de sticlă, pe panouri de acoperire, chit sau ipsos. În timpul utilizării pentru aceste materiale este extrem de important ca unelta să fie curățată frecvent prin suflare cu un jet de aer.

LUBRIFIAREA

Toate componentele acestei unelte sunt lubrifiate cu o cantitate suficientă de lubrifiant de înaltă calitate ce vizează durata de viață a unității în condiții de operare obișnuite. În consecință, nici o ungere suplimentară nu este necesară.

⚠️ PRECAUȚIE

Mențineți cordoanele de racord departe de zona de tăiere și poziționați cordonul astfel încât să nu se agățe în cherestea, unelte etc., în timpul operării.

⚠️ AVERTISMENT

Verificați cordoanele e racord înainte de fiecare utilizare, iar dacă sunt avariate, înlocuiți-le imediat. Nu utilizați niciodată unelta cu un cordon deteriorat, deoarece atingerea zonei deteriorate poate cauza șoc electric ce poate conduce la rănirea gravă.

Cordoanele de racord potrivite pentru utilizarea împreună cu ferăstrăul dumneavoastră sunt disponibile la cel mai apropiat centru de service.

⚠️ AVERTISMENT

Atunci când operați scula electrică sau când îndepărtați praful, purtați întotdeauna ochelari de protecție sau ochelari de protecție cu apărători laterale. Dacă mediu de lucru este plin de praf, purtați întotdeauna o mască împotriva prafului.

PROTECȚIA MEDIULUI ÎNCONJURĂTOR

Reciclați materiile prime în loc să le aruncați la gunoi, împreună cu deșeurile menajere. Pentru a proteja mediul înconjurător, mașina, accesoriile acesteia și ambalajele trebuie triate.

SIMBOL

Avertizare de siguranță

V Volți

Hz Herti

~ Curent alternativ

W Wați

n_o Viteză în gol

min⁻¹ Număr de rotații sau de mișcări pe minut



Capacitate de tăiere în lemn



Conform CE



Izolarea dublă



Purtați echipamente de protecție a auzului



Purtați echipamente de protecție a vederii



Vă rugăm citiți instrucțiunile cu atenție înainte de pornirea aparatului.



Deșeurile produselor electrice nu trebuie sc înălțurate împreună cu deșeurile casnice. Vă rugăm reciclați acolo unde există facilități. Verificați la autoritatea dvs locală sau la vânzător pentru sfaturi privind reciclarea.

Latviski

APRAKSTS

- Slēdzis
- Bloķēšanas poga
- Aizsargs
- Pamatne
- Grope
- Zāģa asmens
- Putekļu nopūtējs
- Rulliņa vadotne
- Grope
- Malas vadotne
- Malas vadotnes fi kscārijas skrūve
- Ātrās atbrīvošanas svira
- Barošanas indikators
- Turētāju
- Skrūve
- Variējama ātruma regulators
- Grozāmā poga
- Asmens glabāšanas vieta

SPECIĀLIE DROŠĪBAS NOTEIKUMI

- Ja darbība ir saistīta ar putekļu rašanos, uzlieciēt arī putekļu masku.
- Pirms nolikt instrumentu, sagaidiet, līdz griezējinstrumentam apstājas. Nenosegts griezējinstrumentam var aizķerties aiz virsmas, kas var izraisīt kontroles zudumu un nopietnas traumas.
- Darbos, kuros griezēj-/slīpinstrumentam var saskarties ar slēptiem vadiem vai savu barošanas vadu, turiet instrumentu tikai aiz izolētajām satveršanas virsmām. Griezēj-/slīpinstrumenta saskare ar strāvu vadošajām vietām var padarīt arī atklātās metāla daļas vadošas un radīs operatoram elektrisko triecienu.
- Ja bojāts strāvas padeves vads, lai izvairītos no riska, to drīkst nomainīt tikai ražotājs vai pilnvarotā apkopes centrā.

SPECIFIKĀCIJAS

Spriegums	230 V ~ 50 Hz
Ieejas jauda	600 W
Gājiens minūtē	800 - 3000 min ⁻¹
Gājiena garums	19 mm
Maks. zāģēšanas	
Koks	70 mm
Tērauds	6 mm

FUNKCIJAS

IEPAZĪSTIET SAVU ZĀĢI

Pirms mēģināt izmantot zāģi, iepazīstieties ar visām ekspluatācijas funkcijām un drošības prasībām.

ELEKTRISKAIS PIESLĒGUMS

Jūsu zāģim ir precīzi izveidots elektromotors. To vajadzētu pievienot tikai tāda veida strāvas padevei, kas norādītas uz nomināla plāksnītes. Neizmantojiet šo instrumentu ar līdzstrāvu (DC). Ievērojama sprieguma samazināšanās izraisīs jaudas zudumu un pārkaršanu. Ja rozetei pieslēgtais instruments nedarbojas, vēlreiz pārbaudiet strāvas padevi.

▲ BRĪDINĀJUMS

Kaut arī labi pārzināt instrumentus, rīkojieties uzmanīgi. Atcerieties, ka bezrūpīga sekundes daļa ir pietiekama, lai izraisītu nopietnas traumas.

EKSPLUATĀCIJA

SLĒDZIS

Skatiet 1. attēlu.

- Lai ieslēgtu zāģi, nospiediet slēdzi.
- Atlaidiet slēdža mēlīti, lai izslēgtu zāģi.

BLOĶĒŠANAS POGA

Skatiet 1. attēlu.

Jūsu zāģis ir aprīkots ar fiksēšanas funkciju, kas ir ērti izmantojama, ja nepieciešama nepārtraukta griešana ilgākā periodā. Lai nofiksētu, nospiediet slēdža mēlīti, iespiediet un paturiet fiksācijas pogu, kas atrodas roktura malā, pēc tam atlaidiet slēdža mēlīti. Atlaidiet fiksācijas pogu, un zāģis turpinās darbu.

Lai atlaistu fiksāciju, nospiediet un atlaidiet slēdža mēlīti. Ja lietošanas laikā ir ieslēgta bloķēšanas funkcija un zāģis tiek atvienots no barošanas padeves, nekavējoties atslēdziet bloķēšanas funkciju.

▲ BRĪDINĀJUMS

Pirms zāģa pieslēgšanas strāvas padeves avotam vienmēr pārliecinieties, vai tas nav fiksētā pozīcijā (nospiediet un atlaidiet slēdža mēlīti). Pretēja gadījumā zāģis var nejauši ieslēgties, izraisot nopietnu traumu. Kā arī nefiksējiet mēlīti darbiem, kuros zāģi, iespējams, vajadzēs strauji izslēgt.

Latviski

LAI UZSTĀDĪTU ASMEŅUS

Skatiet 3. attēlu.

- Atslēdziet instrumentu.

⚠ BRĪDINĀJUMS

Ja zāģis netiek atvienots no barošanas, var notikt nejauša iedarbināšana, kas var radīt nopietnas traumas.

- Pagrieziet instrumentu ar augšpusi uz leju.
- Ātrās atlaišanas sviru pagrieziet pretēji pulksteņrādītāju kustības virzienam un noturiet to vietā.
- Zāģa asmeni ievietojiet veltna virzošajā detaļā, pārliecinoties, vai zāģa asmens aizmugurējā daļa ir pareizi ievietota gropē.

PIEZĪME: Var izmantot tikai zāģa asmeņus ar T veida kātu.

- Iespiediet zāģa asmeni asmens spailē, ciktāl iespējams.
- Atlaidiet ātrās atlaišanas sviru.

⚠ BRĪDINĀJUMS

Lai izvairītos no iespējamām nopietnām traumām, vienmēr izmantojiet aizsargbrilles ar sānu aizsargiem. Rokas un pirkstus turiet pietiekamā atstumā no motora korpusa un asmens spailēm un tikmēr, kamēr asmens veic griešanas darbību, nesniedzieties zem darba zonas.

⚠ BRĪDINĀJUMS

Lai izvairītos no nopietnas personiskas traumas, neizmantojiet zāģi, ja tam nav pareizi uzlikts drošības aizsargs.

MAIŅĪGS ĀTRUMS

Skatiet 8. attēlu.

Jūsu zāģim ir mainīga ātruma vadības pārslēgs, ar kura palīdzību operators var kontrolēt un regulēt ātruma un jaudas ierobežojumus. Zāģa ātrumu un jaudu var palielināt vai samazināt, pagriežot mainīgā ātruma vadības selektoru bultiņu virzienā.

PIEZĪME: Turiet zāģi normālā darbības pozīcijā un pagrieziet mainīga ātruma vadības selektoru pretēji pulksteņrādītāju kustības virzienam, lai palielinātu ātrumu un jaudu. Pagrieziet pulksteņrādītāju kustības virzienā, lai samazinātu ātrumu un jaudu.

Ja vēlaties slēdži fiksēt esošajā ātrumā, nospiediet slēdža

mēlīti, iespiediet un paturiet fiksācijas pogu un atlaidiet slēdža mēlīti. Pēc tam noregulējiet mainīga ātruma vadības selektoru, līdz sasniegts nepieciešamais ātrums. Centieties nedarbināt zāģi ilgāku laiku nelielā ātrumā. Pastāvīgi izmantojot zemā ātrumā, zāģis var pārkarst. Ja tas notiek, atdzesējiet zāģi, kādu laiku darbinot to pilnā ātrumā bez slodzes.

Nosakot pareizo ātrumu dažādiem pielietojumiem, var izmantot šādas vadlīnijas:

- LOW ātrums ir ideāls, kad nepieciešams minimāls ātrums un jauda, piemēram, sākot griešanu.
- MEDIUM ātrums ir piemērots cietu metālu, plastmasas un laminātu griešanai.
- HIGH ātrums nodrošina vislabākos rezultātus, ja nepieciešamamaksimālā jauda, piemēram, griežot kokus. Arī mīkstajiem metāliem, piemēram, alumīnijam, misiņam un varam, ir nepieciešams liels ātrums.

ASMEŅU GLABĀTUVE

Skatiet 2. attēlu.

Ērta zāģa funkcija ir asmeņu glabātuve. Asmeņu glabātuve atrodas putekļu nopūtēja aizmugurē. Tā ir ērta papildu asmeņu uzglabāšanai, kad tie netiek izmantoti.

- **Lai atvērtu:** Pavelciet durtiņas uz leju ar īkšķi vai kādu citu pirkstu.
- Asmeņus ievietojiet asmeņu glabātuvē.
- **Lai aizvērtu:** Paspiediet durtiņas uz augšu ar īkšķi vai kādu citu pirkstu.

⚠ BRĪDINĀJUMS

Neievietojiet zāģa asmeni ventilācijas atverēs, jo tas var saskarties ar iekšējām daļām, kurās ir spriegums, un izraisīt elektrošoku un nopietnu traumu.

⚠ BRĪDINĀJUMS

Zāģis nedrīkst būt pievienots strāvas padevei, veicot daļu montāžu, regulēšanu, uzstādot vai noņemot asmeņus vai laikā, kad tas netiek izmantots. Atslēdzot instrumentu, tiek novērsta nejauša ieslēgšanās, kas varētu izraisīt nopietnu traumu.

VISPĀRĒJĀ GRIEŠANA

Skatiet 4. attēlu.

Zāģa pamatnes priekšdaļu atbalstiet pret detaļu un asmens griešanas malu salāgojiet ar līniju, kas atzīmēta uz detaļas. Pārliecinieties, vai barošanas vads nav zāģa asmens ceļā un uz griešanas līnijas. Iedarbiniet zāģi un pārvietojiet to uz priekšu pa darba virsmu. Piespiediet

Latviski

uz leju, lai nodrošinātu zāga stingrību, un tikai nedaudz paspiediet uz priekšu, lai asmens grieztu.

⚠ BRĪDINĀJUMS

Nespiediet zāgi. Spiežot zāgi, var pārkarst motors un salūzt zāga asmeni.

ORBITĀLA KUSTĪBA

Skatiet 4. attēlu.

Zāga asmens kustās ar orbitālā trajektorijā. Šī funkcija irregulējama un nodrošina ātrāku un efektīvāku zāģēšanu. Asmens ar orbitālu kustību izgriežas cauri darbam, izmantojot augšupejošu gājienu, bet netiek izvilktis caur darbu lejupejoša gājienu laikā.

- Augstākus iestatījumus (H) vajadzētu izmantot, ātri griežot mīkstu materiālu.
- Zemākus (L) iestatījumus vajadzētu izmantot mazākas pretestības griešanas materiāliem.

TAISNS GRIEZUMS

Skatiet 4. attēlu.

Taisnu griezumam var veikt, pie detaļas piespīlējot koka gabalu vai taisnstūri un virzot pret to zāga malu. Griežiet tikai vienā virzienā; neveiciet griešanu līdz pusei, lai pēc tam to pabeigtu no pretējās puses.

VĪTNVEIDA GRIEZUMS

Skatiet 5. attēlu.

Ar zāgi var veikt vītņveida griezumus, vadot griezuma virziena un piemērojot spiedienu uz rokturi.

⚠ BRĪDINĀJUMS

Pārmērīgs sānu spiediens uz asmeni var salauzt asmeņus vai sabojāt griezamo materiālu.

LEŅĶA GRIEZUMS (SLĪPAIS GRIEZUMS)

Skatiet 6. attēlu.

Slīpā griezuma leņķus var noregulēt no 0° līdz 45° pa labi vai pa kreisi. Leņķi griezumiem no 0° līdz 45° 22,5° soļos ir atzīmēti uz skalas pamatnes kreisajā un labajā pusē.

Ja nepieciešami precīzi griezumi, ieteicams izmantot leņķmēru.

LEŅĶA REGULĒŠANA

Skatiet 6. attēlu.

- Ar uzgriežņu atslēgu atskrūvējiet pamatu saturošo skrūvi, līdz var pārvietot pamatni.
- Pabīdīet pamatni nedaudz uz priekšu, lai to atlaistu no

motora korpusa cilnes.

- Atzīmi uz vēlamā leņķa pamatnes salāgojiet ar motora korpusa malu.
- Kad iegūts nepieciešamais leņķis, pabīdīet pamatni atpakaļ, līdz izcilnis uz motora korpusa salāgojas ar atbilstoši ierobu pamatnes aizmugurējā daļā.
- Veltņa virzošās detaļas turētāju novietojiet tādā veidā, lai virzošās detaļas veltņis būtu pavērsts pret zāga asmens aizmugurējo daļu. Precīzi griezumi ir iespējami tikai tad, kad virzošās detaļas veltņis atrodas cieši pret zāga asmens aizmugurējo daļu.
- Pamatni saturošo skrūvi pievelciet ar uzgriežņu atslēgu, lai nostiprinātu pamatni.

LAI VEIKTU DZIJĀKU GRIEZUMU

Skatiet 7. attēlu.

⚠ BRĪDINĀJUMS

Lai izvairītos no vadības zuduma, asmeņu salūšanas vai griežamā materiāla bojājumiem, vienmēr rīkojieties īpaši uzmanīgi, veicot dzijākus griezumus. Dzijākus griezumus nav ieteicams veikt citiem materiāliem, izņemot koku.

- Griezuma līniju skaidri atzīmējiet uz detaļas.
- Griešanas leņķi iestatiet uz 0°.
- Sasveriet zāgi uz priekšu, lai tas balsfītos uz pamatnes priekšējās malas un, ieslēdzot zāgi, asmens nenonāktu saskarē ar detaļu.
- Pārliecinieties, vai asmens atrodas griežamā apgabala robežās.
- Ieslēdziet zāgi lielā ātrumā un lēnām ielaidiet asmeni detaļā, līdz asmens izgriežas cauri kokam.
- Turpiniet nolaist asmeni sagatavē, līdz zāga pamatneatrodas plakaniski uz sagataves, pēc tam virziet zāgiuz priekšu, lai pabeigtu zāģējumu.
- Šī veida griezumam izmantojiet tikai asmeni, kuram ir 7 zobu uz collu.

METĀLA GRIEŠANA

Ar jūsu zāgi var griezt daudz veidu metālu. Rīkojieties uzmanīgi, lai nesavērtu vai nesaliektu asmeņus. Nespiediet ar spēku.

Ja asmens pārmērīgi vibrē, izmantojiet asmeni ar smalkākiem zobiem vai ieslēdziet lielāku ātrumu. Ja asmens pārmērīgi sakarst, izmantojiet zemāku ātrumu. Ja, griežot mīkstus metālus, piemēram, alumīniju, asmens zobi aplīp vai nosprostojas, izmantojiet asmeni ar rupjākiem zobiem vai strādājiet zemākā ātrumā. Griežot metālus, ieteicams izmantot eļļu, lai asmeņus uzturētu

Latviski

vēsus, uzlabotu griešanas darbību un paldzinātu asmens kalpošanas laiku. Stingri iespīlējiet darbu un grieziet iespīlēšanas punkta tuvumā, lai mazinātu griežamās detaļas vibrāciju.

Griežot cauruļvadu, cauruli vai leņķdzelzi, iespīlējiet to skrūvspīlēs (ja iespējams) un zāģējiet skrūvspīļu tuvumā. Lai zāģētu skārdū, iespaidiet to starpskaidū plātnēm vai saplākšņa gabaliem un sastiprinietslāņus ar spīlēm, lai nepieļautu vibrācijas un materiālaplītumus. Ja tas tiks izpildīts, zāģējums būs līdzens. Pašā augšā novietojiet šablonu vai griešanas līniju.

▲ Svarīgi!

Griežot metālu, zāģa sliedes ietekmēto daļu uzturiet tīru un bez metāla skaidiņām, bieži noslaukot ar eļļainu drāniņu. Pēc darba pabeigšanas eļļaino drāniņu likvidējiet ļoti uzmanīgi, lai novērstu iespējamo aizdegšanās risku.

MALAS VADOTNE

Skatiet 9. attēlu.

Izmantošanai ar zāģi ir pieejama vadošā detaļa, un to var lietot šķērgriezumu un garengriezumu veidošanai.

LAI UZSTĀDĪTU:

- Atslēdziet zāģi.

▲ BRĪDINĀJUMS

Ja instruments netiek atslēgts, tas var nejauši ieslēgties un izraisīt nopietnu traumu.

- Malas virzošās detaļas strēli ievietojiet caur divām spraugām zāģa pamatnē.
- Malas vadošo detaļu noregulējiet nepieciešamajā platumā un fiksējiet vietā ar malas vadošo skrūvi.

▲ BRĪDINĀJUMS

Apkopei izmantojiet tikai identiskas rezerves daļas. Jebkādi citu detaļu izmantošana var izraisīt bīstamību vai produkta bojājumus.

LAI PIEVIENOTU PUTEKĻU EKSTRAKCIJAS SISTĒMU (NAV IEKĻAUTA KOMPLEKTĀ)

- Atslēdziet instrumentu.

▲ BRĪDINĀJUMS

Ja zāģis netiek atvienots no barošanas, var notikt nejauša iedarbināšana, kas var radīt nopietnas traumas.

- Putekļu savākšanas sistēmas sprauslu savienojiet ar putekļu portu.

BAROŠANAS INDIKATORS

Šim instrumentam ir elektropadeves indikators, kas iedegas, līdzko instruments ir pievienots barošanas padevei. Tas brīdina lietotāju par to, ka instruments ir pievienots un sāks darboties pēc slēdža nospiešanas.

APKOPE

VISPĀRĪGI

Visas citas daļas ir svarīgas II klases izolācijas sistēmas sastāvdaļas, un to apkopi vajadzētu veikt tikai kvalificētam apkopes tehnikim.

Tīrotplastmasasdaļas,izvairietiesnošķīdinātājulietošanas. Vairums plastmasu ir uzņēmīgas pret dažādu veidu pārdošanā esošo šķīdinātāju izraisītajiem bojājumiem. Izmantojiet tīru drānu, lai notīrītu netīrumus, putekļus, eļļu, ziežvielas utt.

▲ BRĪDINĀJUMS

Neļaujiet jebkurā laikā bremžu šķidrūmam, gazoļīnam, naftas produktiem, asām eļļām utt. nonākt saskarē ar plastmasas daļām. Tie satur ķīmiskas vielas, kuras var sabojāt, pavājināt vai iznīcināt plastmasu.

Ir konstatēts, ka elektroinstrumenti ātrāk nolietojas un tiem rodas priekšlaicīga atteice, ja tos izmanto stikla šķiedras laiivām, sporta automašīnām, ģipša plāksnēm vai apmetumam.

Šo materiālu šķembas un noslīpētās daļiņas ir ļoti abrazīvas attiecībā pret elektroinstrumenta daļām, piemēram, gultņiem, sukām un strāvas pārslēdzējiem. Ja jūs strādājat ar šiem materiāliem, ir ļoti svarīgi bieži tīrīt instrumentu, izpūšot to ar gaisa strūklu. Lietojot ar šiem materiāliem, ļoti svarīgi ir bieži tīrīt instrumentu, pūšot ar gaisa strūklu.

EĻĻOŠANA

Visi gultņi šajā instrumentā tiek eļļoti ar pietiekamu daudzumu augstas kvalitātes smērvielas, lai ierīce normālas lietošanas režīmā kalpotu visu darbmužu. Tāpēc papildu eļļošana nav nepieciešama.

Latviski

⚠ UZMANĪBU

Pagarinājuma kabeljiem ir jāatrodas pietiekamā atstatumā no griešanas zonas, un tie ir jānovieto tā, lai ekspluatācijas laikā vads neieķertos, piemēram, kokmateriālos vai instrumentos.

⚠ BRĪDINĀJUMS

Pirms katras lietošanas pārbaudiet pagarinājuma vadus un, ja tie ir bojāti, nomainiet nekavējoties. Nekad neizmantojiet instrumentu, kuram bojāts strāvas vads, jo, pieskaroties bojātajai vietai, varat saņemt elektrostrāvas triecienu, kas var izraisīt nopietnu traumu.

Pagarinājuma kabelji, kas piemēroti izmantošanai ar jūsu zāģi, ir pieejami tuvākajā apkopes centrā.

⚠ BRĪDINĀJUMS

Elektroinstrumenta darbības vai putekļu pūšanas laikā vienmēr izmantojiet aizsargbrilles vai drošības brilles ar sānu aizsargiem. Ja darbība ir saistīta ar putekļu rašanos, uzlieciet arī putekļu masku.

VIDES AIZSARDZĪBA



Tā vietā, lai materiālus izmestu, nododiet tos atkārtotai realizācijai. Mašīna, aksesuāri un iepakojums ir jāsašķiro un jānodod videi draudzīgā atkārtotas pārstrādes vietā.

SIMBOLS



Drošības brīdinājums

V Volti

Hz Herci

~ Maiņstrāva

W Vati

no Apgriezieni bez slodzes

min⁻¹ Apgriezieni minūtē



Maks. zāģēšanas koka



CE atbilstība



Dubultā izolācija



Lietojiet dzirdes aizsargus



Valkājiet acu aizsarglīdzekļus



Pirms iedarbināt mašīnu, lūdzu rūpīgi izlasiet instrukcijas.



Izlietotie elektroprodukti nedrīkst tikt izmesti kopā ar majsaimniecības atkritumiem. Lūdzu, nododiet tos attiecīgajās atkārtošanas vietās. Sazinieties ar savu vietējo varas pārstāvi vai izplatītāju, lai noskaidrotu, kur iespējama atkārtota pārstrāde.

Lietuviškai

APRAŠYMAS

1. Jungiklis
2. Užrakinimo mygtukas
3. Apsauginis gaubtas
4. Atraminė dalis
5. Griovelis
6. Pjūklų geležtė
7. Dulkių anga
8. Ritininis kreiptuvas
9. Griovelis
10. Krašto kreiptuvas
11. Krašto kreiptuvo užrakinimo varžtas
12. Greito atleidimo svirtis
13. Įjungto įrankio indikatorius
14. Laikiklį
15. Varžtai
16. Kintamo greičio valdiklis
17. Apskrita reguliavimo rankenėlė
18. Geležtės laikymo skyrelis

SPECIALIOS SAUGOS TAISYKLĖS

- **Jei darbo metu kykla dulkės, taip pat dėvėkite kaukę nuo dulkių.**
- **Prieš padėdami įrankį, palaukite, kol jo pjoviklis sustos.** Atviras pjoviklis gali atsitrenkti į paviršius, dėl to įrankis gali tapti nevaldomas ir sukelti sunkius sužeidimus.
- **Elektrinį įrankį laikykite tik izoliavę sukibimo paviršius, kad darbo metu pjovimo įrankio priedas nesusiliestų su paslėptais laidais ar paties šlifavimo laidu.** Pjovimo metu priedas, prisilietęs prie laido, įjungto į maitinimo šaltinį, gali aktyvuoti metalines elektrinio įrankio dalis ir sukelti operatoriui elektros smūgį.
- **Jeigu maitinimo laidas pažeistas, jį turi pakeisti tik gamintojas arba įgaliota techninės priežiūros įmonė, kad būtų išvengta pavojaus.**

TECHNINIAI REIKALAVIMAI

Įtampa	230 V ~ 50 Hz
Įvesties galia	600 W
Smūgiai per minutę	800 - 3000 min ⁻¹
Smūgio ilgis	19 mm
Didž. pjovimo galia	
Mediena	70 mm
Plienai	6 mm

SAVYBĖS

PAŽINKITE SAVO PJŪKLĄ

Prieš pradėdami naudotis pjūkle, susipažinkite su visomis eksploatacinėmis savybėmis ir saugos reikalavimais.

PRIJUNGIMAS PRIE ELEKTROS ENERGIJOS ŠALTINIO

Šiame pjūkle yra preciziškai sumontuotas elektrinis variklis. Įrankį reikia prijungti tik prie tokio maitinimo šaltinio tinklo, kuris yra nurodytas informacinėje plokštelėje. Šio įrankio nenaudokite, jį prijungę prie (DC) (nuolatinės srovės) šaltinio. Dėl žymaus įtampos sumažėjimo dings elektra ir įrankis perkais. Jei jūsų įrankis neveikia, jį įjungus į kištukinį lizdą, dar kartą patikrinkite energijos tiekimą.

ĮSPĖJIMAS

Būkite atsargūs, net jei puikiai pažįstate įrankį. Prisiminkite, kad dėl sekundės neatsargumo galite patirti sunkių sužalojimų.

VEIKIMAS

JUNGIKLIS

Žr. 1 pav.

- Pjūklą įjungti (ON) nuspauskite jungiklį.
- Jį išjungti (OFF), perjungiklį atleiskite.

UŽRAKINIMO MYGTUKAS

Žr. 1 pav.

Pjūkle yra įmontuotas užrakinimo mechanizmas, kuris patogus naudotis pjaunant nepertraukiamai ilgesnį laiką. Jei norite užrakinti, perjungiklį nuspauskite, įspauskite ir laikykite užrakinimo mygtuką, esantį rankenos šone, po to perjungiklį atleiskite. Užrakinimo mygtuką atleiskite ir pjūklas toliau veiks.

Jei norite atrakinti, jungiklį nuspauskite ir atleiskite.

Jei pjovimo metu užrakinimo mechanizmas yra įjungtas ir į pjūklą nutrūksta elektros energijos tiekimas, užrakinimo mechanizmą nedelsdami išjunkite.

ĮSPĖJIMAS

Prieš prijungdami pjūklą prie elektros maitinimo šaltinio, visada patikrinkite, kad užrakinimo mechanizmas nebūtų įjungtas (nuspauskite ir atleiskite jungiklį). To nepadarius, pjūklas gali atsitiktinai įsijungti ir jus sunkiai sužeisti. Taip pat, jungiklio neužrakinkite, atlikdami tokius pjovimo darbus, kai pjūklą staiga gali prireikti sustabdyti.

Lietuviškai

PRITVIRTINTI GELEŽTES

Žr. 3 pav.

- Atjunkite įrankį nuo maitinimo šaltinio.

⚠ ĮSPĖJIMAS

neišjungus įrankio iš elektros maitinimo šaltinio, variklis gali atsitiktinai užsivesti bei jus rimtai sužeisti.

- Įrankį apverskite aukštyn kojomis.
- Greito atleidimo svirtį pasukite prieš laikrodžio rodyklę ir laikykite tokioje padėtyje.
- Geležtę įkiškite į ritininio kreiptuvo griovelį bei patikrinkite, ar pjūklas geležtės užpakalinė dalis yra gerai griovelyje įstatyta.

PASTABA: Galima naudoti tik T-strypo pjūklo geležtes.

- Stumkite pjūklo geležtę į geležtės spaustuvą iki pat galo.
- Atleiskite greito atleidimo svirtį.

⚠ ĮSPĖJIMAS

Siekiant išvengti sužeidimų pavojaus, visada dėvėkite apsauginius akinius arba akinius su šonine apsauga. Geležtei pjaunant, rankas ir pirštus laikykite toliau nuo variklio korpuso bei geležtės spaustuvo, ir nesiekite rankomis apačios.

⚠ ĮSPĖJIMAS

Kad išvengtumėte sunkių sužeidimų, pjūklo be saugiai pritvirtinto apsauginio gaubto nenaudokite.

KINTAMAS GREITIS

Žr. 8 pav.

Jūsų pjūkle yra įmontuotas kintamo greičio valdiklis, skirtas greičiui ir galiai reguliuoti ir valdyti. Pjūklo greitį ir galią galite sumažinti arba padidinti, sukdami kintamo greičio valdiklį rodyklių kryptimi.

PASTABA: jei greitį ir galią norite padidinti, pjūklą laikykite normalioje darbo padėtyje ir kintamo greičio valdiklį sukite pagal laikrodžio rodyklę. Jei greitį ir galią norite sumažinti – sukite pagal laikrodžio rodyklę.

Jei norite jungiklį užrakinti nustatytu greičiu, jungiklį nuspauskite, įspauskite ir laikykite užrakinito mygtuką, po to perjungiklį atleiskite. Tuomet, kintamo greičio valdiklį nustatykite iki reikiamo greičio.

Pjūklo ilgą laiką mažu greičiu nenaudokite. Nuolat naudojant pjūklą mažu greičiu, įrankis gali perkaisti. Tokiu atveju, pjūklą atvėsinkite jį naudodami be apkrovos ir visu greičiu.

Norint nustatyti teisingą greitį įvairiems darbams, galima vadovautis šiais nurodymais:

- **LOW** (mažas) greitis tinkamas tuomet, kai reikia mažiausio greičio ir galios, pvz., pradendant pjovimą.
- **MEDIUM** (vidutinis) greitis tinkamas pjaunant kietuosius metalus, plastiką ir laminatą.
- **HIGH** (didelis) greitis suteikia geriausių rezultatų tuomet, kai reikalinga didžiausia jėga, pvz., pjaunant medieną. Pjaunant minkštuosius metalus, pvz., aliuminį, žalvarį ir varį, taip pat būtinas didelis greitis.

GELEŽTĖS LAIKYMO SKYRELIS

Žr. 2 pav.

Jūsų pjūkle yra įrengtas patogus geležtės laikymo skyrelis. Geležtės laikymo skyrelis yra dulkių angos gale. Šiame skyrelyje patogų laikyti papildomas geležtes, kai jos nenaudojamos.

- **Atidaryti:** Nykščiu ar kitu pirštu dureles patraukite žemyn.
- Geležtes įdėkite į jų laikymo skyrelį.
- **Uždaryti:** Nykščiu ar kitu pirštu dureles pastumkite aukštyn.

⚠ ĮSPĖJIMAS

Pjūklo geležtės neįkiškite į oro ventiliacijos angeles, nes jos gali susiliesti su elektrinėmis vidinėmis aktyviomis detalėmis ir sukelti elektros smūgį bei jus sunkiai sužeisti.

⚠ ĮSPĖJIMAS

Kai montuojate detales, reguliuojate, tvirtinate ar nuimate geležtes ar pjūklo nebenaudojate, jo negalima laikyti prijungto prie elektros maitinimo šaltinio. Atjungus įrankį sumažėja galimybė, kad jis netikėtai užsives ir ką nors sunkiai sužeis.

BENDRAS PJOVIMAS

Žr. 4 pav.

Pjūklo pagrindo priekinę dalį atremkite į pjaunamą paviršių bei sulygiuokite geležtės pjovimo kraštą su linija ant pjaunamo ruošinio. Patikrinkite, ar kabelis nekliūna už pjūklo geležtės ir nėra pjovimo linijoje. Įjunkite pjūklą ir jį stumkite pirmyn pjaunamu paviršiumi. Kad pjūklas veiktų tolygiai, jį spauskite žemyn tik tokia jėga, kad geležtė nenustotų pjauti.

⚠ ĮSPĖJIMAS

Pjūklo nenaudokite jėga. Pjūklą spaudžiant per smarkiai, variklis gali perkaisti ir geležtės sulūžti.

Lietuviškai

JUDESIAI APSKRITIMU

Žr. 4 pav.

Pjūklo geležtė galima pjauti judesiais apskritimu. Šią funkciją galima nustatyti ir ją naudojant pjovimas yragreitesnis bei efektyvesnis. Pjaunant judesiais apskritimu, geležtė pjauna medžiagą judesiais į viršų, tačiau per pjaunamą ruošinį nesivelka eiga, nukreipta žemyn.

- Jei norite greitai pjauti minkštesnes medžiagas, naudokite (H) (didesnius) nustatymus.
- Mažesnius nustatymus (L) naudokite, pjaudami didesnę pasipriešinimą turinčias medžiagas.

TIESUS PJOVIMAS

Žr. 4 pav.

Jei norite pjauti tiesiai, prie pjaunamos medžiagos prispauskite medžio gabalą ar tiesią lentą prie krašto ir pjūklo kraštą stumkite pagal prispaustą medžiagą. Pjaukite tik viena kryptimi; nepjaukite viena kryptimi iki pusės, pjovimą užbaigdami iš kito galo.

SLENKAMASIS PJOVIMAS

Žr. 5 pav.

Slenkamasis pjovimas atliekamas vedant pjūklo pjovimo kryptį kartu spaudžiant rankenėlę.

⚠ ĮSPĖJIMAS

Jei naudosite per didelę šoninę jėgą į geležtę, geležtė gali sulūžti ar pažeisti pjaunamą medžiagą.

PJOVIMAS KAMPU (ISTRIŽINIS PJOVIMAS)

Žr. 6 pav.

Istrižinio pjovimo kampą galima nustatyti nuo 0° iki 45° į kairę ar į dešinę. Pjovimo kampai nuo 0° iki 45°, didėjantys kas 22,5°, yra pažymėti matuoklyje abiejose dešinėje ir kairėje atraminės dalies pusėse.

Jei būtina atlikti tikslius pjovimus, rekomenduojama naudoti matlankį.

KAMPO NUSTATYMAS

Žr. 6 pav.

- Atraminę dalį laikantį varžtą atsukite veržliarakčiu tol, kol atraminę dalį galima pajudinti.
- Atraminę dalį lengvai pastumkite pirmyn, kad ją atlaisvintumėte nuo variklio korpuso fiksatoriaus.
- Pjūklo atraminės dalies pagedaidamo kampo žymą sulyginkite su variklio korpuso kraštu.
- Nustačius reikiamą kampą, atraminę dalį stumkite atgal tol, kol variklio korpuso fiksatorius yra vienoje

tiesėje su atraminės dalies galo grioveliu.

- Ritininio kreiptuvo laikiklį nustatykite taip, kad kreiptuvas būtų prie pjūklo geležtės nugarėlės. Tiksliau pjovimas galima atlikti tik tuomet, kai ritininis kreiptuvas yra tvirtai nustatytas prie pjūklo geležtės nugarėlės.
- Atraminę dalį laikantį varžtą veržkite veržliarakčiu tol, kol atraminė dalis pritvirtinama.

ATLIKTI VIDINĮ PJOVIMĄ

Žr. 7 pav.

⚠ ĮSPĖJIMAS

Atlikdami vidinį pjovimą visada dirbkite labai atsargiai, kad neprarastumėte įrankio kontrolės, nesulaužytumėte geležčių ar nepažeistumėte pjaunamos medžiagos. Vidinį pjovimą rekomenduojama naudoti tik pjaunant medieną, o ne kitas medžiagas.

- Aiškiai pažymėkite pjovimo liniją ant pjaunamos medžiagos.
- Pjovimo kampą nustatykite ties 0°.
- Pjūklą pakeldami jį pakreipkite į priekį taip, kad jis rėmtųsi priekine atramos dalimi, ir pjūklą įjungus, geležtė nesiliestų į pjaunamą objektą.
- Patikrinkite, ar geležtė yra pjaunamos srities viduje.
- Įjunkite pjūklą, nustatydami didelį greitį ir geležtę iš lėto leiskite į ruošinį tol, kol ji pradeda pjauti medieną.
- Geležtę ir toliau leiskite žemyn į ruošinį tol, kol visa atraminė dalis horizontaliai remiasi į pjaunamą paviršių. Po to, pjūklą pastumkite į priekį, kad užbaigtumėte pjauti pradėtą išpjovą.
- Tokiam pjovimui atlikti naudokite tik 7 dantukų vienam coliui geležtę.

METALO PJOVIMAS

Šiuo pjūklu galima pjauti įvairias metalo rūšis. Atsargiai – pjūklo geležčių neišlenkite ir nepasukite. Nenaudokite jėgos.

Jei geležtė smarkiai virpa ar vibruoja, naudokite geležtę smulkesniais dantukais ar nustatykite didesnį greitį. Jei geležtė smarkiai įkaista, nustatykite žemesnį greitį. Jei pjaunant minkštus metalus, pvz., aliuminį, geležtės dantukai užsipildo ar užsikiša, naudokite geležtę šiurkštesniais dantukais ar nustatykite mažesnį greitį. Pjaunant metalus, rekomenduojama naudoti alyvą, kad geležtės neįkaistų, pjovimo darbas pagerėtų, o taip pat būtų prailginamas geležtės naudojimo laikas. Ruošinį gerai suspauskite ir pjaukite arti suspausto taško, kad būtų pašalinta bet kokia pjaunamo ruošinio vibracija.

Lietuviškai

Jei pjaunate izoliacinius vamzdžius ar kampuočius, jei įmanoma, ruošinį suspauskite gnybtuose, ir pjaukite arti gnybtų. Jei norite pjauti plonų lakštų medžiagą, įjėdėkite tarp kartono ar klijuotos faneros („sumuštinio“ principu) ir sluoksnius suspauskite, kad būtų pašalinta vibracija ir medžiaga neįplyšytų. Tokiu būdu ruošinys pjaunamas tolygiai. Pažymėkite pjovimo formą ar liniją ant „sumuštinio“ viršaus.

Svarbu!

Pjaudami metalą, atvirą pjūklo strypo dalį dažnai nuvalykite alyva sutepta šluoste, kad nebūtų metalo nuolaužų. Užbaigę valymo darbus, alyva suteptą šluostę išmeskite labai atsargiai, kad nesukeltumėte gaisro pavojaus.

KRAŠTO KREIPTUVAS

Žr. 9 pav.

Prie šio pjūklo pridedamas krašto kreiptuvas, kurį galite naudoti kryžminiam ir išilginiam pjovimui atlikti.

PRITVIRTINTI:

- Atjunkite pjūklą nuo maitinimo šaltinio.

ĮSPĖJIMAS

Neišjungus įrankio iš elektros maitinimo šaltinio, variklis gali atsitiktinai užsivesti bei jus sunkiai sužeisti.

- Pro pjūklo atraminės dalies dvi aneles įkiškite krašto kreiptuvo strypą.
- Krašto kreiptuvą nustatykite iki pageidaujamo pločio ir jį užrakinkite priverždami krašto kreiptuvo varžtą.

ĮSPĖJIMAS

Sugedusias detales keiskite tik originaliomis atsarginėmis detalėmis. Kitų detalių naudojimas gali sukelti pavojų ar sugadinti įrankį.

DULKIŲ SURINKIMO SISTEMOS (NEPRIDEDAMA) PRIJUNGIMAS

- Atjunkite įrankį nuo maitinimo šaltinio.

ĮSPĖJIMAS

neišjungus įrankio iš elektros maitinimo šaltinio, variklis gali atsitiktinai užsivesti bei jus rimtai sužeisti.

- Dulkių surinkimo sistemos antgalį prijunkite prie dulkių

angos.

JUNGTO ĮRANKIO INDIKATORIUS

Šiame įrankyje yra įmontuotas prijungto įrankio indikatorius, kuris pradeda šviesti, kai įrankis prijungiamas prie maitinimo šaltinio. Tokiu būdu vartotojas įspėjamas, kad įrankis prijungtas prie maitinimo šaltinio ir nuspaudus jungiklį jis pradės veikti.

PRIEŽIŪRA

PAGRINDINIAI NURODYMAI

Visos kitos įrankio detalės yra svarbūs II klasės izoliacijos sistemos komponentai; bet kokius įrankio remonto arba techninės priežiūros darbus gali atlikti tik kvalifikuotas technikas.

Valydami plastikines detales, nenaudokite tirpiklių. Komerciniai tirpikliai lengvai pažeidžia daugelį plastikinių detalių. Valydami purvą, dulkes, tepalus, alyvas ir t. t., naudokite švarias šluostes.

ĮSPĖJIMAS

Būkite atsargūs, kad ant plastikinių detalių nepatektų stabdžių skysčio, benzino, naftos turinčių produktų, tepalo ir pan. Juose esantys chemikalai gali pažeisti, susilpninti ar sunaikinti plastiką.

Yra nustatyta, kad elektriniai įrankiai nusidėvi greičiau ir gali anksčiau sugesti, kai jie naudojami pjaunant stiklo pluošto valtis, sportinius automobilius, sienines plokštes ar tinką.

Šių medžiagų atplaišos ir šlifavimo likučiai ypač agresyviai veikia elektrinių įrankių detales, pvz., guolius, šepėčius, komutatorius, ir t. t. Todėl, mes nerekomenduojame naudoti šio įrankio ilgalaikiam darbui su bet kokiomis stiklopluošto medžiagomis, sieninėmis plokštėmis ar tinku. Tačiau visada pjaunant šias medžiagas, labai svarbu įrankį dažnai valyti jį nukreipta oro srove.

SUTEPIMAS

Kad įrankis ilgai veiktų normaliomis darbo sąlygomis, visi šio įrankio guoliai tepami užpilant pakankamą kiekį aukštos kokybės tepalo. Todėl daugiau jo tepti nebereikia.

ATSARGIAI

Ilginamąjį laidą laikykite toliau nuo pjovimo zonos ir jį nustatykite taip, kad pjovimo metu jis nesusipainiotų su pjautine mediena, įrankiais ir pan.

Lietuviškai

⚠ ĮSPĖJIMAS

Prieš naudojimą įginamuosius laidus visada patikrinkite ir pakeiskite juos, jei jie pažeisti. Įrankio su pažeistu laidu niekada nenaudokite, nes prisilietus prie laido pažeistos vietos gali kilti elektros smūgis bei jus sunkiai sužeisti.

Įginamuosius laidus, tinkamus naudoti su šiuo pjūklų, galima įsigyti artimiausiame techninės priežiūros centre.

⚠ ĮSPĖJIMAS

Dirbdami su elektriniu įrankiu ar kai pučiamos dulkės, visada dėvėkite apsauginius akinius ar akinius su šonine apsauga. Jei darbo metu kyla dulkės, taip pat dėvėkite kaukę nuo dulkių.

APLINKOS APSAUGA

Žaliavines medžiagas perdirbkite pakartotinai, o ne išmeskite kaip atliekas. Mechanizmas, priedai ir pakuotės turi būti laikomi pakartotinai perdirbti aplinkai nekenksmingu būdu.

SIMBOLIAI

Pranešimas apie saugumą

V Voltai

Hz Hercai

~ Kintamoji srovė

W Vatai

no Greitis be apkrovimo

min⁻¹ Apsukos ar judėjimas per minutę



Didž. pjovimo galia mediena



CE suderinimas



Dviguba izoliacija



Dėvėkite klausos apsaugos priemones



Dėvėkite akių apsaugos priemones



Atidžiai perskaitykite instrukcijas prieš pradėdami naudoti mechanizmą.



Elektrinių produktų atliekos neturi būti metamos kartu su namų ūkio atliekomis. Prašome perdirbkite jas ten, kur yra tokios perdirbimo bazės. Dėl perdirbimo patarimo kreipkitės į savo vietinę savivaldybę ar pardavėją.

Eesti

KIRJELDUS

1. Lülit
2. Lukustusnupp
3. Ohutuskaitse
4. Alusplaat
5. Salk
6. Saeleht
7. Tolmuotsak
8. Rulljuhk
9. Salk
10. Servajuhik
11. Servajuhiku kinnituskruvi
12. Kiirvabastushoob
13. Toiteoleku märgutuli
14. Hoidik
15. Poldid
16. Käigukiiruse valits
17. Orbitaallikumise valits
18. Saelehe hoidik

OHUTUSE ERINÕUDED

- Kui töötlemine on tolmune, siis kandke tolmumaski.
- Enne tööriista reguleerimist oodake, kuni saeketas peatub. Lahtine saeketas võib pinnaga haarduda ja sellega põhjustada kontrolli kadumise ning raske kehavigastuse.
- Töötamisel kohtades, kus lõikeriist võib kokku puutuda varjatud elektrijuhtmetega, hoidke tööriista kinni ainult isoleeritud käepidemetest. Sattudes kokkupuutesse pinge all olevate juhtmetega, jäävad tööriista isoleerimata metalloosad pinge alla ja kasutaja võib saada elektrilöögi.
- Kui toitejuhe on vigastatud, siis tuleb see lasta asendada tootja või klienditeenindaja poolt, et ohtusid vältida.

TEHNILISED ANDMED

Pinge	230 V ~ 50 Hz
Tarbitav võimsus	600 W
Käikude arv minutis	800 - 3000 min ⁻¹
Käigupikkus	19 mm
Maksimaalne lõikesügavus	
Puit	70 mm
Teras	6 mm

FUNKTSIOONID

ÕPPIGE SAAGI TUNDMA

Enne sae kasutamata hakkamist tutvuge selle kasutusomaduste ja ohutusnõuetega.

ELEKTRILINE ÜHENDAMINE

Sael on sisseehitatud täppiselektrimootor. Saagi tohib ühendada vaid elektritoitevõrku, mille andmed on esitatud sae nimiaandmete sildil. Ärge ühendage seadet alalisvooluvõrku (DC). Kui pinge tunduvalt langeb, siis see võib põhjustada võimsuskadu ja ülekuumenemist. Kui seade pistikupessa ühendamisel tööle ei hakka, siis kontrollige toitevõrk üle.

⚠ HOIATUS

Peale tööriistadega tutvumist ärge muutuge hooletuks. Pidage meeles, et hetkeline hooletus, võib olla piisav tõsise vigastuse tekitamiseks.

KASUTAMINE

LÜLITI

Vaata *joonist 1*.

- Sae sisselülitamiseks vajutage lülitusnupule.
- Sae väljalülitamiseks vabastage lülitusnupp asendis **VÄLJAS**.

LUKUSTUSNUPP

Vaata *joonist 1*.

Sael on lukustusnupp, mida on mugav kasutada siis, kui on vaja teha pidevaid lõikeid pikema aja jooksul. Lukustamiseks vajutage lülitusnupule ja hoidke käepideme küljel asuvat lukustusnuppu all ning vabastage seejärel lülitusnupp. Pärast lukustusnupu vabastamist jätkab saag töötamist.

Lukusti vabastamiseks tuleb lülitusnupule uuesti vajutada. Kui te saagimise ajal kasutate lukustusfunktsiooni ja sae toitejuhe toitevõrgust lahti ühendatakse, siis rakendage lukustusfunktsioon kohe lahti.

⚠ HOIATUS

Enne sae toitevõrku ühendamist kontrollige alati üle, et see ei ole lukustusasendis (vajutage lülitusnupule ja laske lahti). Muidu võib see põhjustada sae tahtmatu käivitumise, mis võib tekitada raske kehavigastuse. Ärge kasutage lülitusnupu lukustamist siis, kui saagi on vaja ootamatult peatada.

Eesti

SAELEHTEDE PAIGALDAMISEKS TEHKE JÄRGMIST

Vaata joonist 3.

- Tõmmake pistik pistikupesast välja.

⚠ HOIATUS

Kui sae pistikut välja ei võeta, siis võib saag tahtmatult käivituda, mis võib tekitada raske kehavigastuse.

- Pöörake seade tagurpidi.
- Pöörake kiirvabastushooba vastupäeva ja hoidke selles asendis.
- Pange saeleht rulli juhtsoonde ja veenduge, et saeleht on soone sees õigesti paigutatud.
MÄRKUS: Saab kasutada järgmisi T-kujulise saateega saekettaid.
- Suruge saeleht kinniti sisse nii kaugele kui võimalik.
- Vabastage kiirvabastushoob.

⚠ HOIATUS

Kandke alati kaitsemaski või külgakaitsetega kaitseprille, et vältida võimalikku rasket kehavigastust. Saelehe liikumise ajal hoidke käed ja sõrmed mootori korpusest, saelehe kinnitist ning tooriku alaküljelt emal.

⚠ HOIATUS

Raske kehavigastuse vältimiseks ärge kasutage saagi ilma nõuetekohaselt paigaldatud ohutuskaitseta.

KIIRUSEVAHEMIKUD

Vaata joonist 8.

Sael on käigukiiruse valits, mis võimaldab töötajal sae käigukiirust ja võimsuspiire valida. Sae kiirust ja võimsust saab tõsta või vähendada käigukiiruse valitsa pööramisega nooltega näidatud suundades.

MÄRKUS: Reguleerimiseks hoidke saagi tavatöösasendis ning pöörake kiiruse ja võimsuse tõstmiseks käigukiiruse pöörake valitsat päripäeva. Kiiruse ja võimsuse langetamiseks pöörake valitsat päripäeva.

Kui te soovite lüliti valitud kiirusel lukustada, vajutage lülitusnupp sisse, hoidke lukustusnupu all ja vabastage lülitusnupp. Seejärel reguleerige teile sobiv kiirus käigukiiruse valitsaga välja.

Vältige madala kiirusega saagimist pika aja jooksul. Sae kasutamine madalal käigukiirusel pika aja jooksul põhjustab sae ülekuumenemist. Sellisel juhul laske sael töötada mahajahtumiseks täiskiirusel ilma koormuseta.

Olenevalt kasutuskohast tuleb õige käigukiiruse valimisel juhinduda allpool esitatud näpunäidetest:

- Käik **LOW** – sobib väga hästi siis, kui on vaja rakendada minimaalkiirust ja -võimsust, näiteks lõikamise alustamisel.
- Käik **MEDIUM** – sobib kõvade metallide, plastide ja laminaatide lõikamisel.
- Käik **HIGH** käik – sobib hästi siis, kui on vaja rakendada maksimaalvõimsust, näiteks puidu saagimisel. Kõrget käiku on vaja rakendada ka pehmete metallide, näiteks alumiiniumi, messingi ja vase lõikamisel.

SAETERADE HOIDIK

Vaata joonist 2.

Sael on saelehtede mugavaks hoiustamiseks saelehtede hoidik. Saelehtede hoidik asub tolmuotsaku tagaosas. Hoidikus on mugav hoida lisa-saelehti sel ajal, kui neid ei kasutata.

- **Avamine:** Tõmmake kate sõrme või pöidlaga alla.
- Pange lõiketerad hoidikusse.
- **Sulgemine:** Suruge kate sõrme või pöidlaga üles.

⚠ HOIATUS

Ärge pange saelehte õhu ventilatsioonivardesse, sest need võivad sattuda kokkupuutesse pinge all olevate osadega ja põhjustada elektrilöögi tõttu raske kehavigastuse.

⚠ HOIATUS

Saag ei tohi olla mingil juhul ühendatud elektritoitevõrguga sel ajal, kui te selle osi paigaldate, saagi reguleerite, paigaldate või võtate ära saelehte ning sae mittekasutamise ajal. Lihvmasina elektrivõrgust lahtühendamine väldib selle tahtmatu käivitumise, mis võib põhjustada raske kehavigastuse.

TAVASAAGIMINE

Vaata joonist 4.

Toetage sae aluplaadi esiots toorikule ja seadke saelehe serv toorikule kantud lõikejoonele. Veenduge, et toitekaabel ei ole saelehe teel ega lõikejoonel. Käivitage saag ja lükake mööda tööpinna edasi. Suruge saagi alla, hoidke kindlakäeliselt ja lükake piisava survega edasi, mis tagab saelehe lõikamise.

Eesti

⚠ HOIATUS

Ärge koormake saagi üle. Saele liigse jõuga rakendamisel võib mootor üle kuumeneda või saetera puruneda.

ORBITAALLIIKUMINE

Vaata joonist 4.

Saeleht lõikab orbitaallikumise. See funktsioon on reguleeritav ning võimaldab kiiremini ja efektiivsemalt saagida. Orbitaallikumisel lõikab saetera toorikut vaid üles liikudes, aga ei lõika toorikut siis, kui saeleht alla liigub.

- Pehme materjali kiiremaks lõikamiseks tuleb kasutada kõrgemat sätet (H).
- Kõvema materjali lõikamiseks tuleb kasutada madalamat sätet (L).

OTSELÕIGE

Vaata joonist 4.

Sirge lõike saagimiseks kinnitage pitskrugi abil toorikule puittalt või sirge servaga toorik ja juhtige saagimisel sae alusplaadi juhtserva mööda seda. Saagige kogu lõige ainult ühes suunas – ärge saagige pool lõiget ühes suunas ja teist pool teises suunas.

KUJUSAAGIMINE

Vaata joonist 5.

Tikkosaagi saab kasutada kujusaagimiseks, juhtides saagi käepidemega mööda lõikejoont, nagu joonisel näidatud.

⚠ HOIATUS

Liigne külgsurve saelehele võib põhjustada selle purunemise või lõigatava materjali vigastamise.

NURKSAAGIMINE (KALDSAAGIMINE)

Vaata joonist 6.

Saagimisnurka saab reguleerida piirkonnas 0° kuni 45° paremale või vasakule. Saagimisnurgad vahemikus 0° kuni 45° sammuga 22,5° on märgitud skaalale, mis asuvad alusplaadi vasakul ja paremal pool.

Kui on vaja lõigata täpset nurka, siis soovitakse seadistamisel kasutada nurgamõõdikut.

NURGA REGULEERIMINE

Vaata joonist 6.

- Lõdvendage alusplaadi kinnituspolidid võtit kasutades, kuni alusplaat vabaneb.
- Nihutage alusplaati veidi ette, et alusplaat mootori

korpusel asuvalt fikseerimiskõrgendilt vabastada.

- Ühitage alusel olev märk soovitud nurga tähisega mootorikorpuse serval.
- Kui soovitud nurk on leitud, lükake alusplaat tagasi ette, kuni mootori korpusel olev kõrgend ühtib alusplaadi taga oleva vastava sisselõikega.
- Pange rulljuhiku hoidik kohale sellisel viisil, et juhtruulik on suunatud vastu saelehe tagakülge. Täppisaagimine on võimalik vaid siis kui juhtruulik on tihedalt vastu saelehe tagakülge.
- Keerake aluse kinnituskruvid võtmega uuesti kinni.

SISENDLÕIKE TEGEMINE

Vaata joonist 7.

⚠ HOIATUS

Avade lõikamisel olge äärmiselt ettevaatlik, et saagimisel mitte kontrolli kaotada, saelehte ära murda või lõigatavat materjali vigastada. Sisendlõike tegemine muu kui puidu sisse ei ole soovitatav.

- Markeerige saetee toorikule selgelt.
- Seadke kalle nurgale 0°.
- Kallutage sisselülitatud saagi nii ette, et see toetub alusplaadi servale ja saetera toorikut ei puuduta.
- Veenduge, et lõiketera on lõigatava ava sees.
- Käivitage saag suure kiirusega ja langetage lõiketera toorikule, kuni saeleht puidust läbi lõikub.
- Jätkake lõiketera langetamist tooriku sisse, kunialusplaat täielikult toorikule toetub ja seejärel lükakesaagi edasi, kuni ava on välja lõigatud.
- Sellist tüüpi lõigete tegemiseks kasutage vaid saelehte, millel on 7 hammast tolli kohta.

METALLI LÕIKAMINE

Tikkosaaga on võimalik lõigata mitmeid metalle. Olge ettevaatlik, et saelehte mitte väänata või painutada. Ärge liigselt peale suruge.

Kui saeleht tugevasti väriseb või vibreerib, siis kasutage peenemate hammastega saelehte või suuremat kiirust. Kui saeleht tugevasti kuumeneb, kasutage madalamat käigukiirust. Kui saeleht pehme metalli, näiteks alumiiniumi lõikamisel täitub või ummistub, siis kasutage jämedamate hammastega saelehte või madalamat kiirust. Soovitame metallide lõikamisel kasutada õli, et saelehte jahutada, lõiketoiimet parandada ja saelehe tööiga pikendada. Kinnitage toorik liikumatult ja saagige kinnituskoha lähedalt, et tooriku vibratsiooni vältida.

Karprofiilide, torude ja nurkerase saagimisel kinnitage toorik võimaluse korral kruustangide vahele ning

Eesti

saagige kruustangide lähedalt. Õhukese lehtmaterjali saagimiseadke see kahe puitlaastplaadi või vineeritüki vahelening suruge pakk kinni, et vibratsiooni ja materjali rebimistvähendada. Selliselt töötades saab materjali lõigatasujuvalt. Pange oma muustrileht ülemisele kihile või tõmmake sinna lõikejoon.

▲ Oluline!

Metallide lõikamisel hoidke saepea katmata osa puhas ja vaba metallipurust õlist lappi kasutades. Võimaliku tuleohtu vältimiseks olge pärast puhastamist õlise lapiga väga ettevaatlik.

SERVAJUHIK

Vaata joonist 9.

Sael on lisavarustusena võimalik kasutada servajuhikut ja saega saate teha rist- ja pikilõikeid.

PAIGALDAMINE:

- Tõmmake sae pistik pistikupesast välja.

▲ HOIATUS

Pistiku mitte-eemaldamisel võib toimuda lihvmasina juhuslik sisselülitumine, mis võib põhjustada tõsise kehavigastuse.

- Pange servajuhiku juhtvars läbi alusplaadil oleva kahe ava.
- Seadistage servajuhik soovitud lausele ja kinnitage kruviga soovitud kohale.

▲ HOIATUS

Kasutage teenindamisel ainult täpselt sobivaid varusid. Muude osade kasutamine võib tekitada ohuolukorra ja põhjustada seadme vigastumise.

TOLMUEEMALDUSSÜSTEEMI (EI KUULU KOMPLEKTI) ÜHENDAMINE

- Tõmmake pistik pistikupesast välja.

▲ HOIATUS

Kui sae pistikut välja ei võeta, siis võib saag tahtmatult käivituda, mis võib tekitada raske kehavigastuse.

- Ühendage tolmukogumissüsteemi otsak tolmuaavale.

TOITEOLEKU MÄRGUTULI

Tööriistal on toite märgutuli, mis tööriista toitevõrku ühendamisel kohe süttib. See hoiatab kasutajat, et lihvmasin on elektrivõrku ühendatud ja hakkab lüüti sissevajutamisel tööle.

HOOLDUS**KIRJELDUS**

Kõik muud siin käsitlemata saeosad on 2-kordse isolatsiooni elektrisüsteemi osad ja neid tohib hooldada vaid pädev hooldustehnik.

Vältige plastosade puhastamisel lahustite kasutamist. Enamik plaste on kaubandusvõrgust saadaolevate erinevate lahustite suhtes tundlikud. Mustusest, tolmust, õlist, määrdest jne puhastamiseks kasutage puhast riidelappi.

▲ HOIATUS

Ärge lubage mitte kunagi pidurivedelikel, bensiinil, petrooleumist valmistatud toodetel, immutusõlidel jne puutuda kokku plastikosadega. Need sisaldavad kemikaale, mis võivad plaste rikkuda, nõrgendada või hävitavalt mõjutada.

On kindlaks tehtud, et kui elektrilisi tööriistu kasutatakse klaaskiust paatide ja sportautode osade ning sein- ja kipsplaadi lõikamiseks, siis võivad need tööriistad kiiremini kuluda ja nende tööiga võib lüheneda.

Nende materjalide töötlemisel tekkivad abrasiivsed peenosakesed ja puru kulutavad elektrilise tööriista osi, nagu laagrid, harjad, kommutaatorid jne väga kiiresti. Seega ei ole soovitatav selle tööriista pidev kasutamine ükskõik milliste klaaskiust materjalide ning sein- ja kipsplaadide saagimiseks. Nende materjalide saagimise korral on alati väga oluline tööriist perioodiliselt suruõhuga läbi puhuda.

MÄÄRIMINE

Kõik selle tööriista laagrid on tehases täidetud piisava hulga kvaliteetse määrdega, mis tagab tavatingimustes nende töövoime kogu kasutusea jooksul. Seetõttu ei ole täiendav määrimine vajalik.

▲ ETTEVAATUST

Hoidke pikendusjuhtmed lõigatavast kohast eemal ja paigutage juhe nii, et see ei takerduks töötamise ajal tooriku külge, tööriistale jne.

Eesti

⚠ HOIATUS

Kontrollige pikendusjuhtmed iga kord enne kasutamist üle ja asendage, kui need on vigastatud. Ärge mingil juhul kasutage vigastatud juhtmega tööriista, sest vigastatud koha puudutamisel võite elektrilöögist saada raske vigastuse.

Saaga kasutamiseks sobivad pikendusjuhtmed on saadaval lähimas hoolduskeskuses.

⚠ HOIATUS

Töötamisel ja tolmu ärapuhumisel kandke alati silmamaski või küljekaitsetega kaitseprille. Kui töötlemine on tolmune, siis kandke tolumaski.

KESKKONNAKAITSE

Toormaterjalid utiliseerige jäätmetega koos. Masin, selle lisaseadmed ja pakend tuleb jäätmekäitluseks keskkonnasõbralikult sorteerida.

SÜMBOL

Ohutusalane teave

V Volt

Hz Hertz

~ Vahelduvvool

W Watt

n_o Kiirus ilma koormuseta

min^{-1} Pöörete või löökide arv minutis



Maksimaalhelikesügavus puit



CE vastavus



Topeltisolatsioon



Kandke kuulmise kaitsevahendeid



Kandke silmade kaitsevahendeid



Enne seadme kasutamist lugege palun kasutusjuhend hoolega läbi.



Mittekasutatavaid elektritooteid ei tohi visata olmejäätmete hulka. Vaid tuleb viia vastavasse kogumispunkti. Vajadusel küsige sellekohast nõu oma edasimüüjalt või vastavalt kohaliku omavalitsuse institutsioonilt.

Hrvatski

OPIS

1. Sklopka
2. Gumb za zaključavanje
3. Sigurnosni štitičnik
4. Baza
5. Zarezati
6. List pile
7. Prašina Luka
8. valjkasti vodič
9. Utor
10. Edge Vodič
11. Edge Vodič Lock vijak
12. Brzo otpuštanje poluge
13. Signalno svjetlo za napon
14. Držać
15. Vijci
16. Promjenljivi kontrola brzine selektor
17. Orbitalna regulatora
18. Područje blade pohrane

POSEBNA SIGURNOSNA PRAVILA

- **Ako radite u prašini nosite i masku za zaštitu od prašine.**
- **Prije no što postavite alat sačekajte dok se rezač ne zaustavi.** Izložen rezač može aktivirati površinu dovodeći do mogućeg gubitka kontrole i ozbiljnih povreda.
- **Držite uređaj po izoliranim ručkama površina samo pri obavljanju operacije u kojoj rezanje skrivene ožičenja ili vlastiti kabel.** Rezanje pribor kontakta "uživo" žice može napraviti izloženi metalni dijelovi uređaja "uživo" i šok operatora.
- **Ako je kabel za napajanje oštećen, mora ga zamijeniti samo proizvođač ili ovalšteni servisni centar kako bi se izbjegla opasnost.**

SPECIFIKACIJE

Napon	230 V ~ 50 Hz
Ulazna snaga	600 W
Poteza po minuti	800 - 3000 min ⁻¹
Duljina poteza	19 mm
Maksimalni kapacitet rezanja	
Drvo	70 mm
Čelik	6 mm

ZNAČAJKE

UPOZNAJTE SVOJU PILU

Prije pokušaja korištenja pile, upoznajte se sa svim radnim svojstvima i zahtjevima vezano za sigurnost.

ELEKTRIČNI PRIKLJUČAK

Ova pila ima precizno ugrađen električni motor. Treba se priključiti na izvor napajanja iste vrste koji je naveden na natpisnoj pločici. Ne radite s ovim uređajem na istosmjernoj struji (DC). Značajni pad napona uzrokuje gubitak snage i pregrijavanje. Ako alat ne radi kad je uključen u utičnicu, provjerite napajanje.

⚠ UPOZORENJE

Opuštanje u radu s alatom dovodi vas do nepažljivog rada. Uvijek imajte na umu da je dovoljna samo jedna sekunda nepažnje kako biste se teško ozlijedili.

RAD

SKLOPKA

Pogledajte sliku 1.

- Za uključivanje pile otpustite sklopku.
- Otpustite sklopku za pokretanje kako biste ISKLJUČILI pilu.

GUMB ZA ZAKLJUČAVANJE

Pogledajte sliku 1.

Vaša pila je opremljena s funkcijom zaključavanja, koja je praktična kada je potrebno neprekidno rezanje za dulje vremensko razdoblje. Za zaključavanje pritisnite sklopku za pokretanje, pritisnite i držite gumb za zaključavanje koja se nalazi na strani ručke, potom otpustite sklopku za pokretanje. Otpustite gumb za zaključavanje i pila se nastavlja pokretati.

Za oslobađanje brave, pritisnite sklopku za pokretanje i otpustite.

Ako ste tijekom korištenja imali uključenu funkciju zaključavanja, a vaša se pila isključila iz izvora napajanja, odmah isključite funkciju zaključavanja.

Hrvatski

⚠ UPOZORENJE

Prije priključivanja pile na izvor napajanja uvijek provjerite radi osiguranja da nije zaključana u položaju uključeno (pritisnite i otpustite sklopku za pokretanje). Nepoštivanje ove upute može dovesti do slučajnog pokretanja pile dovodeći do mogućih osobnih ozljeda. Također, ne zaključavajte okidača na poslovima gdje vam je vidio možda trebati biti zaustavljen naglo.

ZA MONTAŽU LISTOVA

Pogledajte sliku 3.

- Odspojite alat.

⚠ UPOZORENJE

Neuspjeh to izvoditi čep tvoj vidio, može doći do slučajne početne moguće nanošenje teških ozljeda.

- Okrenite alat naopako.
 - Zakrenite polugu za brzo otpuštanje suprotno smjeru kretanja kazaljki na satu i držite u položaju.
 - Umetnite list pile u utor u vodilici valjka osiguravajući da je stražnji dio pile pravilno pozicioniran u utoru.
- NAPOMENA:** Mogu se koristiti samo listovi za pile s T-krakom.
- Gurnite list pile na spojnicu lista sve dok ide.
 - Otpustite polugu za brzo oslobađanje.

⚠ UPOZORENJE

Radi izbjegavanja mogućih osobnih ozljeda uvijek nosite zaštitne rukavice i zaštitne naočala se bočnim štitnicima. Držite ruke i prste dalje od kućišta motora i spojnicu lista i nemojte posezati ispod uratka dok list reže.

⚠ UPOZORENJE

Za izbjegavanje ozbiljnih osobnih ozljeda, nemojte koristiti pilu bez postavljenog štitnika.

PROMJENJIVA BRZINA

Pogledajte sliku 8.

Vaša pila ima izbornik za upravljanje varijabilnom brzinom koji je namijenjen da operateru omogući kontrolu i podešavanje ograničenja brzine i snage. Brzina i snaga pile mogu se povećati ili smanjiti okretanjem izbornika varijabilne brzine u smjeru streljaca.

NAPOMENA: Držite svoj vidjeli u normalnom radnom

položaju i okrenite selektor promjenjive brzine vrtnje kazaljke na satu za povećanje brzine i snage. Zakrenite u smjeru kazaljki na satu za smanjenje brzine i snage.

Ako želite zaključati prekidač na željenoj brzini, pritisnite sklopku za pokretanje, gurnite i držite gumb za zaključavanje i otpustite sklopku za pokretanje. Nadalje, podešavajte izbornik varijabilne brzine sve dok se ne dostigne željena brzina.

Izbjegavajte pokretanje pile na niskim brzinama za duže vremenskorazdoblje. Pokretanje na malim brzinama prilikom neprekidnog korištenja može dovesti do pregrijavanja pile. Ako se to desi, Vaše cool vidio tako da je pokrenut bez tereta i punom brzinom.

U određivanju točne brzine za različite primjene mogu se koristiti sljedeće smjernice:

- **LOW** brzina je savršena kad je potrebno minimalno brzine i snage, na primjer kod početka rezanja.
- **MEDIUM** brzina je prikladna za rezanje tvrdih metala, plastike i laminata.
- **HIGH** brzina proizvodi najbolje rezultate kad je potrebna maksimalna snaga, primjerice rezanje drva. Mekani metali kao što su aluminij, mesing i bakar također zahtijevaju velike brzine.

SPREMANJE LISTA

Pogledajte sliku 2.

Praktična značajka vaše pile je spremanje ošttrice. Područje blade pohrane nalazi se na poleđini prašine luke. Vrlo je praktično za spremanje dodatnih listova kada se ne koriste.

- **Za otvaranje:** Povucite vrata prema dolje s palcem ili prstom.
- Postavite listove u područje za pohranu lista.
- **Za zatvaranje:** Povucite vrata prema gore s palcem ili prstom.

⚠ UPOZORENJE

Nemojte umetati list pile u otvore za ventilaciju budući da može doći u dodir s unutarnjim električnim dijelovima pod naponom i izazvati strujni udar, rezultirajući u ozbiljnim ozljedama.

⚠ UPOZORENJE

Vaša pila nikad se ne smije priključiti na izvor napajanja kada sklapate dijelove, vršite podešenja, ugrađujete ili uklanjate listove ili kad se ne koristi. Iskapčanje alata sprječava slučajno pokretanje koje može dovesti do ozbiljnih osobnih ozljeda.

Hrvatski

OPĆE O REZANJU

Pogledajte sliku 4.

Oslonite prednji dio postolja pile na izradak i poravnajte rubove za rezanja lista s linijom na izratku. Osigurajte da je kabel za napajanje izvan puta lista pile i da nije u reznoj liniji. Pokrenite pilu i pomaknite je naprijed po radnoj površini. Kako biste pilu držali mirnom pritisnite je prema dolje i samo dovoljno pritisnite prema naprijed kako biste oštricu držali u rezanju.

⚠ UPOZORENJE

Nemojte koristiti silu na pili. Forsiranje pile može pregrijati motor i slomiti list pile.

ORBITALNO KRETANJE

Pogledajte sliku 4.

Oštrica vašeg vidio rez u orbiti pokretu. Ova značajka je podesiva i omogućuje brže i učinkovitije rezanje. Pokretima oko osi list reže kroz izradak u gornjim potezima, no ne povlači se preko izratka u donjim potezima.

- Postavku visoko (H) treba koristiti kad se vrši brzo rezanje u mekom materijalu.
- Niža (L) postavka treba se koristiti prilikom rezanja materijala s više otpora.

RAVAN REZ

Pogledajte sliku 4.

Ravan rez može se izvršiti stezanjem komada drva ili postavljanjem ravnog ruba na izradak i usmjeravanjem ruba vaše pile nasuprot njega. Piliti samo iz jednog smjera, nemojte rezati od pola kako biste dovršili rez sa suprotnog kraja.

POMICANJE TIJEKOM REZANJA

Pogledajte sliku 5.

Pomicanje tijekom rezanja se može vršiti s vašom pilom tako da smjer rezanja usmjerite pritiskom na ručku.

⚠ UPOZORENJE

Prekomjerni pritisak sa strane na list pile može rezultirati u pucanju lista ili oštećenju materijala koji se reže.

REZANJE POD KUTOM (NAGIBNO REZANJE)

Pogledajte sliku 6.

Kutovi nagibnog rezanja mogu se podesiti od 0° do 45° u desno ili u lijevo. Kutovi za rezanje od 0° do 45° u povećanju od 22,5° označeni su na skali i na lijevoj i na desnoj strani osnove.

Kada su potrebni precizni rezovi preporuča se korištenje kutomjera.

PODEŠAVANJE KUTA

Pogledajte sliku 6.

- Olabavite vijak za oslobađanje postolja s ključem sve dok se postolje ne može ukloniti.
- Za oslobađanje postolja od jezička na kućištu motora pomaknite postolje prema naprijed.
- Poravnajte oznake na kućištu željenog kuta s kutom kućišta motora.
- Kad se dostigne željeni kut, umetnite postolje natrag sve dok se jezičak na kućištu motora na poravna s odgovarajućim urezom na stražnjem dijelu postolja.
- Postavite držač za vodilicu valjka na način da je vodilica valjka usmjerena prema stražnjem djelu lista pile. Precizno rezanje moguće je samo kada je vodilica valjka čvrsto usmjerena prema stražnjem djelu lista pile.
- Ponovno pritegnite vijke na postolju s ključem kako biste osigurali postolje.

ZA IZRADU PRIVIDNOG REZA

Pogledajte sliku 7.

⚠ UPOZORENJE

Za izbjegavanje gubitka kontrole, loma lista ili oštećenja materijala koji se reže, uvijek režite vrlo oprezno kad vršite prividne rezove. Ne preporučujemo prividno rezanje na materijalima osim na drvetu.

- Jasno označite liniju rezanja na vašem izratku.
- Postavite kut rezanja na 0°.
- Nagnite pilu prema naprijed tako da se osloni na prednji kraj postolja i list neće doći u dodir s izratkom kada se pila uključi.
- Osigurajte da je oštrica unutar područja koje se reže.
- Pokrenite pilu korištenjem velike brzine, te lagano spustite list u izradak sve dok list ne proreže kroz drvo.
- Nastavite spuštati list u izradak sve dok se osnovica ne odupre na radnu površinu, potom pomaknite pilu kako biste dovršili rezanje.
- Koristite samo 7 zuba po 2,5 cm lista za ovu vrstu rezanja.

REZANJE METALA

Pomoću vaše pile mogu se rezati mnoge vrste metala. Pazite da ne uvijate ili savijate list. Nemojte alat koristiti iznad njegovih mogućnosti.

Hrvatski

Ako list previše zvekeće ili vibrira koristite list s finim zupcima ili veću brzinu. Ako se list previše zagrijava, koristite manju brzinu. Ako zubi pile postanu popunjeni ili začepljeni prilikom rezanja mekih metala, kao što je aluminij, koristite list sa grubljim zubima ili smanjite brzinu. Preporučujemo korištenje ulja prilikom rezanja materijala kako biste održali list hladnim, povećali radnju rezanja i produljili vijek trajanja lista. Učvrstite izradak i režite blizu učvrstne točke kako biste eliminirali bilo kakve vibracije izratka dok se izrezuje.

Prilikom rezanja cjevovoda, cijevi ili kutnog željeza, učvrstite izradak u škrip ako je moguće i pilite blizu škripa. Da biste izrezali tanak sloj materijala, "sendvič" materijal između lesoniti ili šperploča i obujmica slojeva da se eliminiraju vibracije i kidanje materijala. Mimo događaj ovaj, materijal će se smanjiti glatko. Postavite uzorak ili liniju rezanja na vrh sendviča.

⚠ Važno!

Prilikom rezanja metala držite izloženim izlaz trake pile čistim i slobodnim od metalnih strugotina čestim brisanjem nauljenom krpom. Budite posebno pažljivi u odlaganju nauljene odjeće nakon posla kako biste izbjegli opasnost od požara.

EDGE VODIČ

Pogledajte sliku 9.

Za korištenje s vašom pilom na raspolaganju je i vodilica za rub i može se koristiti za poprečne i uzdužne rezove.

ZA MONTAŽU:

- Odspojite pile.

⚠ UPOZORENJE

Neisključivanje alata može izazvati slučajno pokretanje uzrokujući moguće ozbiljne ozljede.

- Umetnite rame vodilice ruba kroz dva utora na postolju pile.
- Podesite vodilicu ruba na željenu širinu i blokirajte s vijkom vodilice ruba.

⚠ UPOZORENJE

Prilikom servisiranja koristite samo identične zamjenske dijelove. Korištenje nekih drugih dijelova može dovesti do opasnosti ili uzrokovati oštećenje uređaja.

ZA PRIKLJUČIVANJE SUSTAVA IZBACIVANJA PRAŠINE (NIJE UKLJUČENO)

- Odspojite alat.

⚠ UPOZORENJE

Neuspjeh to izvoditi čep tvoj vidio, može doći do slučajne početne moguće nanošenje teških ozljeda.

- Priključite mlaznicu sustava za prikupljanje prašine na ulaz za prašinu.

SIGNALNO SVJETLO ZA NAPON

Ovaj alat opremljen je s pokazivačem napajanja alata koji svijetli čim je alat priključen na napajanje. Ovo upozorava korisnika da je alat priključen i da će raditi kad se pritisne sklopka za pokretanje.

ODRŽAVANJE

OPĆENITO

Svi drugi dijelovi predstavljaju važan dio izolacijskog sustava klase II i treba ih servisirati samo kvalificirani servisni tehničar.

Prilikom čišćenja plastičnih dijelova izbjegavajte koristiti kemijska sredstva.

Većina plastika je podložna oštećenju od različitih vrsta komercijalnih kemijskih sredstava za čišćenje. Za uklanjanje prljavštine, prašine, ulja, masnoće itd. koristite čistu krpu.

⚠ UPOZORENJE

Nikada ne dopustite kontakt plastičnih dijelova s tekućinom za kočnice, benzinom, proizvodima na bazi benzina, sredstvima za odmašćivanje, i dr. Oni sadrže kemikalije koje mogu oštetiti, oslabiti ili uništiti plastiku.

Otkriveno je da električni alati se ubrzano troše i mogućeg prijevremenog kvara kada se koriste na plovilima od stakloplastike, sportskim automobilima, zidnim pločama i plastici.

Strugotine i brusni komadići od ovih materijala su visoko abrazivni na električne dijelove alata kao što su ležajevi, četkice, prebacivači itd. Dakle, nije preporučljivo da se ovaj alat može koristiti za produženu raditi na bilo kojem materijalu stakloplastike, lesonitu i žbuke. Tijekom korištenja bilo kojeg od ovih materijala vrlo je važno da se alat povremeno očisti ispuhivanjem mlazom zraka.

Hrvatski

PODMAZIVANJE

Svi ležajevi u ovom alatu podmazani su s dovoljnom količinom visokokvalitetnog sredstva za podmazivanje za životni vijek uređaja u normalnim radnim uvjetima. Stoga nije potrebno daljnje podmazivanje.

⚠ OPREZ

Produžne kabele držite dalje od područja rezanja i postavite kabele tako da neće biti zahvaćeni na kladi, alatima itd. tijekom rezanja.

⚠ UPOZORENJE

Prije svake uporabe provjerite produžne kabele, ako su oštećeni odmah ih zamijenite. Nikada nemojte koristiti alat s oštećenim kabelom budući da dodirivanje oštećenog područja može izazvati strujni udar dovodeći do ozbiljnih ozljeda.

Produžni kabele prikladni za korištenje s vašom pilom dostupni su u vama najbližem servisnom centru.

⚠ UPOZORENJE

Uvijek tijekom rada s električnim alatom ili prilikom ispuhivanja prašine nosite zaštitne naočale i zaštitne naočale s bočnim štitnicima. Ako radite u prašini nosite i masku za zaštitu od prašine.

ZAŠTITA OKOLIŠA



Sirovine reciklirajte, umjesto da ih bacate u kućni otpad. Kako biste zaštitili okoliš, alat, dodatke i ambalažu treba odvojeno bacati u otpad.

SÍMBOL



Sigurnosno upozorenje

- V Volti
- Hz Hertza
- ~ Izmjenična struja
- W W
- n₀ Brzina bez opterećenja
- min⁻¹ Broj okreta ili pokreta u minuti



Maksimalni kapacitet rezanja u drvu



Sukladno CE



Dvostruka izolacija



Nosite zaštitu za sluh



Nosite zaštitu za vid



Molimo da pažljivo pročitate upute prije pokretanja stroja.



Otpadne električne proizvode ne odlagati u otpad iz domaćinstva. Molimo da reciklirate gdje je to moguće. Potražite savjet od lokalnih vlasti ili prodavača kako reciklirati.

Slovensko

OPIS

1. Stikalo
2. Gumb za zaklepanje
3. Varnostni ščitnik
4. Podstavek
5. Zareza
6. Rezilo žage
7. Priključek vrečke za zbiranje prahu
8. Vodilni valj
9. Reža
10. Stransko vodilo
11. Vijak za fiksiranje stranskega vodila
12. Ročica za hitro sprostitve
13. Signalna luč za orodje pod napetostjo
14. Namestite
15. Vijaki
16. Gumb za spreminjanje hitrosti
17. Gumb za nastavitve globine vboda
18. Prostor za shranjevanje žaginih listov

SPECIFIČNA VARNOSTNA PRAVILA

- Če pri delu nastaja prah, nosite tudi zaščitno masko proti prahu.
- Pred odstranjevanjem orodja počakajte, da se rezalnik zaustavi. Izpostavljenost rezalniku se lahko odrazi v izgubi nadzora in težkih poškodbah.
- Ko izvajate operacijo, pri kateri lahko dodatek za rezanje pride v stik s skritim ožičenjem ali s svojim lastnim kablom, držite električno orodje le na izoliranih površinah, predvidenih za držanje. Dodatki za rezanje, ki pridejo v stik z »živo« žico, lahko spravijo izpostavljene kovinske dele električnega orodja pod napetost in lahko stresejo osebo, ki orodje uporablja.
- Če je napajalni kabel poškodovan, ga mora zaradi izogibanja tveganja zamenjati proizvajalec ali pooblaščen servis.

SPECIFIKACIJE

Napetost	230 V ~ 50 Hz
Vhodna moč	600 W
Gibov na minuto	800 - 3000 min ⁻¹
Dolžina giba	19 mm
Maks.Zmogljivost rezanja	
Les	70 mm
Jeklo	6 mm

LASTNOSTI

SPOZNAJTE SVOJO ŽAGO

Pred uporabo žage se seznanite z njenimi lastnostmi in varnostnimi pravili.

ELEKTRIČNA POVEZAVA

Žaga ima natančno izdelan električni motor. Priključite samo na vir napajanja, ki se sklada s specifikacijami na podatkovni ploščici. Orodja ne uporabljajte na enosmernem toku (DC). Znaten padec napetosti bo povzročil izgubo moči in pregrevanje. Če orodje po vklopu v vtičnico ne deluje, še enkrat preverite električno napajanje.

⚠ OPOZORILO

Četudi se dodobra seznanite s tem orodjem, pri uporabi ne postanite neprevidni. Zapomnite si, da lahko že trenutek nepazljivosti povzroči težko poškodbo.

DELOVANJE

STIKALO

Glejte sliko 1.

- Za vklop žage pritisnite stikalo.
- Spustite stikalo za vklop, če želite žago IZKLOPITI.

GUMB ZA ZAKLEPANJE

Glejte sliko 1.

Žaga ima funkcija zaklepanja, ki je priročna pri daljšem neprekinjenem rezanju, saj ohranja orodje v vključenem stanju. Za zaklep stikala najprej stisnite stikalo, nato pritisnite in zadržite gumb za zaklepanje na stranskem delu ročaja, na koncu pa spustite stikalo. Spustite gumb za zaklepanje in žaga bo še vedno delovala.

Za sprostitve zaklepa pritisnite in nato spustite stikalo.

Če imate med uporabo omogočeno funkcijo zaklepanja v vključenem položaju in se žaga odklopi z vira napajanja, takoj onemogočite funkcijo zaklepanja.

⚠ OPOZORILO

Pred priklopom žage na vir napajanja vedno preverite, da žaga ni zaklenjena v vključenem položaju (pritisnite in spustite stikalo za vklop). Če tega ne storite, se lahko žaga po nesreči zažene, kar lahko povzroči hudo poškodbo. Prav tako sprožilca ne blokirajte pri opravljenih, pri katerih bo treba žago nenadoma zaustaviti.

Slovensko

NAMESTITEV REZIL

Glejte sliko 3.

- Izklopite orodje.

⚠ OPOZORILO

Če žage ne boste izključili, se ta lahko po nesreči vklopi in povzroči resne poškodbe.

- Obrnite orodje na glavo.
- Zavrtite ročico za hitro sprostitev v nasprotni smeri urinega kazalca in jo zadržite.
- Vstavite rezilo žage v utor vodila valja in se prepričajte, da je zadnji del rezila pravilno nameščen v utor.

OPOMBA: Uporabljate lahko samo vbodna rezila s T-glavo.

- Rezilo žage potisnite čim bolj v držalo rezila.
- Spustite ročico za hitro sprostitev.

⚠ OPOZORILO

Za preprečevanje hudih poškodb vedno nosite zaščitna očala s stransko zaščito. Med rezanjem držite roke in prste proč od ohišja motorja in rezila in ne segajte pod orodje.

⚠ OPOZORILO

Za preprečevanje hudih poškodb ne uporabljajte žage brez varovala na ustreznem mestu.

SPREMENLJIVA HITROST

Glejte sliko 8.

Žaga ima izbirni gumb za spreminjanje hitrosti, ki upravljavcu omogoča nadzor in prilagajanje hitrosti in moči orodja. Hitrost in moč žage lahko zvečate ali zmanjšate z vrtenjem gumba za nadzor hitrosti v smeri puščic.

OPOMBA: Za povečanje hitrosti in moči držite žago v običajnem delovnem položaju in obračajte kontrolnik za nastavljanje hitrosti v nasprotni smeri urinega kazalca. Za zmanjšanje hitrosti in moči zavrtite v smeri urinega kazalca.

Že želite zakleniti stikalo pri dani hitrosti, pritisnite stikalo, pritisnite in zadržite gumb za zaklep stikala in spustite stikalo. Nato prilagodite izbirni gumb za hitrost, dokler ne dosežete zelene hitrosti.

Izogibajte se daljši uporabi žage pri nizkih hitrostih. Neprekinjena uporaba pod nizkimi hitrostmi lahko povzroči pregrevanje žage. Če pride do tega, je treba žago ohladiti tako, da le-ta brez obremenitve deluje z največjo hitrostjo.

Za določanje pravilne hitrosti za različne namene lahko uporabite naslednje smernice:

- Če potrebujete najmanjšo moč in hitrost, na primer pri začenjanju reza, je idealno, da hitrost nastavite na LOW (NIZKO).
- Za rezanje trdih kovin, plastike in laminatov je najprimernejša nastavev hitrosti **MEDIUM** (SREDNJE).
- Če potrebujete največjo moč, na primer pri rezanju lesa, za doseganje najboljših rezultatov hitrost nastavite na HIGH (VISOKO). Mehke kovine, kot so aluminij, medenina in baker, ravno tako zahtevajo visoke hitrosti.

SHRANJEVANJE REZILA

Glejte sliko 2.

Priročna lastnost žage je možnost spravila rezila. Prostor za shranjevanje žaginih listov se nahaja na zadnji strani priključka vrečke za zbiranje prahu. Primerno za shranjevanje dodatnih rezil, kadar jih ne uporabljate.

- **Odpiranje:** S palcem ali prstom povlecite vrata navzdol.
- Rezila shranite v prostor za shranjevanje rezil.
- **Zapiranje:** S palcem ali prstom povlecite vrata navzgor.

⚠ OPOZORILO

Ne vstavljajte rezila žage v zračnike, saj ti lahko pridejo v stik z električnimi notranjimi deli in povzročijo električni udar, ta pa lahko povzroči hude poškodbe.

⚠ OPOZORILO

Ko sestavljate dele, prilagajate žago, nameščate ali odstranjujete rezila ali ko žage ne uporabljate, je nikoli ne imejte priključene na vir napajanja. Če odklopite orodje, se naprava ne more po nesreči sama zagnati, kar bi sicer lahko povzročilo hude poškodbe.

SPLOŠNO REZANJE

Glejte sliko 4.

Položite sprednji del osnove žage na delovni material in poravnajte rezni rob rezila s črto na delovnem materialu. Prepričajte se, da napajalni kabel ni v napoto oz. da ne ovira rezanja. Zaženite žago in jo pomaknite naprej po delovni površini. Pritisnite navzdol in tako ohranite stabilnost žage, naprej pa jo potiskajte samo toliko, da rezilo nenehno reže.

⚠ OPOZORILO

Žage ne preobremenjujte. Preobremenitev žage lahko pregreje motor in polomi rezila.

KROŽNO GIBANJE

Glejte sliko 4.

List vaše žage žaga s povratno dviznim gibanjem. Ta lastnost je nastavljiva ter omogoča hitrejšo inučinkovitejšo žaganje. S krožnim gibanje rezilo v smeri navzgor reže skozi delovni material, v smeri navzdol pa se ne vleče ob njega.

- Za hitro rezanje mehkejšega materiala uporabljajte visoke nastavitve (H).
- Za rezanje tršega oz. bolj upornega materiala uporabljajte nizke nastavitve (L).

RAVEN REZ

Glejte sliko 4.

Raven rez lahko naredite tako, da na delovni material pripnete kos lesa ali ravnilo in rob žage vodite ob njem. Rez opravite samo z ene strani; ne režite tako, da bi najprej šli do polovice in nato dokončali z druge strani.

REZBARJENJE

Glejte sliko 5.

Z žago lahko tudi rezbarite, in sicer tako, da enakomerno pritiskate na ročaj in jo vodite v smeri reza.

⚠ OPOZORILO

Pretiran stranski pritisk na rezilo lahko povzroči zlom rezila ali poškodbe na materialu, ki ga režete.

REZANJE POD KOTOM (POŠEVNO REZANJE)

Glejte sliko 6.

Kote za poševno rezanje lahko nastavite od 0° do 45° v desno ali levo. Koti za rezanje pri 0° do 45° v korakih po 22,5° so označeni na merilni lestvici na levi in desni strani osnovne plošče.

Za zelo natančne reze priporočamo uporabo kotomera.

PRILAGAJANJE KOTA

Glejte sliko 6.

- S ključem odvijte vijak za pritrditev osnove toliko, da osnovo lahko premaknete.
- Narahlo pomaknite osnovo naprej in jo snemite z jezička na ohišju motorja.
- Poravnajte oznako zelenega kota na osnovni plošči z robom ohišja motorja.

- Ko dosežete želeni kot, pomaknite osnovo nazaj, dokler se jeziček na ohišju motorja ne poravnava z ustrezno zarezo na zadnji strani osnove.
- Držalo vodila valjev namestite tako, da je vodilo usmerjeno proti zadnjemu delu rezila žage. Natančni rezi so mogoči samo, če je vodilo valjev usmerjeno tesno proti zadnjemu delu rezila žage.
- S ključem ponovno privijte vijak za pritrditev osnove, da se ne premika.

POTOPNI REZ

Glejte sliko 7.

⚠ OPOZORILO

Za preprečevanje izgube nadzora, polomljenih rezil ali poškodb na delovnem materialu, bodite med izvajanjem potopnih rezov izjemno pazljivi. Potopnih rezov ne priporočamo za druge materiale, kot les.

- Jasno označite želen potek reza na delovnem materialu.
- Nastavite kot rezanja na 0°.
- Nagnite žago naprej tako, da leži na sprednjem robu osnove, rezilo pa ob vklopu ne bo prišlo v stik z delovnim materialom.
- Prepričajte se, da je rezilo v območju, kjer želite rezati.
- Zaženite žago pri visoki hitrosti in počasi spustite rezilo na delovni material, dokler le-to v celoti ne zarezže skozi les.
- Še naprej spuščajte list v obdelovanec, dokler baznaplošča ne leži v celoti na delovni površini, potempremikajte žago naprej, da dokončate rez.
- Za to vrsto reza uporabljajte samo rezilo s 7 zobmi na en palec (pribl.25 mm).

REZANJE KOVINE

Z žago lahko režete različne vrste kovin. Pazite, da ne zvijete ali skrivite rezil. Ne preobremenjujte.

Če rezilo pretirano ropota ali vibrira, uporabite rezilo z gostejšim zobovjem ali višjo hitrost. Če se rezilo pregreva, uporabite nižjo hitrost. Če se zobje rezila pri rezanju mehkejših kovin, kot je aluminij, zamašijo, uporabite rezilo z redkejšim zobovjem ali nižjo hitrost. Za rezanje kovin priporočamo uporabo olja, ki bo pomagalo hladiti rezila, izboljšalo rezanje in podaljšalo življenjsko dobo rezila. Dobro pričvrstite delovni material in režite čim bližje pritrdilni točki; s tem se izognete neželenim vibracijam delovnega materiala med rezanjem.

Kadar režete vode, cevi ali kotne železne palice, jih, če je le mogoče, dajte v primež in žagajte blizu primeža.

Slovensko

Če želite rezati tanko pločevino, postavite material med dva kosa lesnita ali vezanega lesa in vrnite sloje za preprečevanje vibracij in trganja materiala. Na ta način boste material lahko rezali enakomerno. Vzorec ali linijo reza postavite na vrh "sendviča".

▲ Pomembno!

Kadar režete kovino, izpostavljeni del žage pogosto brišete z naoljeno krpo in ga tako ohranite čistega in brez kovinskih okruškov. Kadar po končanem delu odstranjujete oljnato oz. mastno krpo, bodite izjemno previdni, saj lahko sprožite požar.

STRANSKO VODILO

Glejte sliko 9.

Za žago je na voljo tudi robno vodilo, ki ga lahko uporabljate za križne in vzdolžne reze.

NAMESTITEV:

- Izklopite žago.

▲ OPOZORILO

Če orodja ne izklopite iz vtičnice, se naprava lahko nehote vključi in povzroči hude osebne poškodbe.

- Vstavite roko robnega vodila skozi reži na osnovni plošči žage.
- Nastavite zeleno širino robnega vodila in ga pritrdite s pomočjo vijaka vodila.

▲ OPOZORILO

Pri servisiranju uporabljajte le identične nadomestne dele. Uporaba drugih delov je tvegana in lahko povzroči škodo na izdelku.

PRIKLOP SISTEMA ZA SESANJE PRAHU (NI PRILOŽEN)

- Izklopite orodje.

▲ OPOZORILO

Če žage ne boste izključili, se ta lahko po nesreči vklopi in povzroči resne poškodbe.

- Šobo sistema za zbiranje prahu povežite z odprtino za prah.

SIGNALNA LUČ ZA ORODJE POD NAPETOSTJO

To orodje ima indikator "live tool", ki zasveti takoj, ko orodje priključite na napajanje. To uporabnika opozori, da je orodje priključeno in da bo delovalo, ko boste pritisnili na gumb.

VZDRŽEVANJE**SPLOŠNO**

Vsi ostali deli predstavljajo pomemben del izolacijskega sistema i. razreda, ki ga lahko servisira samo usposobljen servisier.

Pri čiščenju plastičnih delov se izogibajte topilom. Večina vrst plastik se lahko pri uporabi različnih komercialnih topil poškoduje. Za odstranjevanje prahu, umazanije, olja, masti itd. uporabite čiste krpe.

▲ OPOZORILO

Pazite, da zavorne tekočine, bencin, izdelki na petrolejski osnovi, olja za penetriranje, ipd. nikoli ne pridejo v stik z plastičnimi deli. Ti vsebujejo kemikalije, ki lahko poškodujejo, oslabijo ali uničijo plastiko.

Ugotovili smo, da so električna orodja podvržena pospešeni obrabi in prezgodnjim okvaram, če jih uporabljate za steklena vlakna čolnov ali športnih avtomobilov ter zidne ali mavčne plošče.

Odkruški in ostružki teh materialov so zelo grobi do delov električnih orodij, kot so npr. ležaji, ščetke, komutatorji ipd. Iz tega razloga tudi odsvetujemo intenzivno delo na predmetih iz steklenih vlaken, vezanega lesa ali mavca. Med uporabo s temi materiali je izjemno pomembno, da orodje pogosto čistite s stisnjanim zrakom.

MAZANJE

Vsi ležaji na tej napravi so namazani z dovolj kakovostnega maziva, tako da mazanje do konca življenjske dobe naprave ni več potrebno, če le-to normalno uporabljate. Zato dodatno mazanje ni potrebno.

▲ POZOR

Podaljške držite proč od območja rezanja in kabel speljite tako, da se med delom ne bo zapletel v les, orodje ipd.

Slovensko

⚠ OPOZORILO

Pred vsako uporabo preverite podaljške in jih v primeru, da so poškodovani, takoj zamenjajte. Nikoli ne uporabljajte orodja s poškodovanim kablom, ker bi ob dotiku poškodovanega dela kabla lahko prišlo do električnega udara in hude poškodbe.

Podaljški, ki so primerni za uporabo z žago, so na voljo v vam najbližjem servisnem centru.

⚠ OPOZORILO

Vedno nosite zaščitna očala s stranskimi ščitniki, ko uporabljate električna orodja ali ko spihujete prah. Če pri delu nastaja prah, nosite tudi zaščitno masko proti prahu.

ZAŠČITA OKOLJA

Namesto, da napravo zavržete, reciklirajte surovine. Napravo, pribor in embalažo je treba sortirati za okolju prijazno recikliranje.

SIMBOL

Varnostni alarm

V Volti

Hz Hertz

~ Izmenični tok

W Watt

no Hitrost brez obremenitve

min⁻¹ Vrtljajev ali nihajev na minuto



Največja rezalna kapaciteta v lesu



Skladnost CE



Dvojna izolacija



Nosite zaščito za ušesa



Nosite zaščito za oči



Prosimo, da si pred zagonom naprave pozorno preberete navodila



Odpadne električne izdelke odlagajte skupaj z ostalimi gospodinjskimi odpadki. Reciklažo opravljajte na predpisanih mestih. Za reciklažni nasvet se obrnite na lokalne oblasti.

Slovenčina

POPIS

1. Spínač
2. Gumb za zaklepanje
3. Ochranný kryt
4. Základňa
5. Drážka
6. Rezilo žage
7. Kanál na prach
8. Vodiaci valček
9. Zásuvka
10. Vodič okolo okraja
11. Poistná skrutka vodiča okolo okraja
12. Páčka na rýchle uvoľnenie
13. Indikátor nástroja pod prúdom
14. Držiak
15. Skrutky
16. Volič premenlivej rýchlosti
17. Nastavovacie tlačidlo obežného pohybu
18. Oblasť uloženia ostria

ŠPECIÁLNE BEZPEČNOSTNÉ PRAVIDLÁ

- Ak pri práci vzniká prach, používajte aj protiprachovú masku.
- Predtým, ako odložíte nástroj, počkajte, kým sa rezacia časť nezastaví. Aktívna rezacia časť môže zasiahnuť povrch, čo môže viesť k novej strate ovládania a vážnemu zraneniu.
- Pri vykonávaní operácie, kedy môže rezacie príslušenstvo prísť do kontaktu so skrytým vedením alebo vlastným káblom, držte nástroj za izolované úchopné miesta. Pri kontakte rezacieho príslušenstva so „živým“ vodičom budú obnažené kovové diely pod prúdom a spôsobia obsluhujúcemu úder.
- Ak dôjde k poškodeniu napájacieho kábla, aby nedošlo k ohrozeniu, musí ho vymeniť výrobca alebo autorizované servisné stredisko.

TECHNICKÉ ÚDAJE

Napätie	230 V ~ 50 Hz
Príkon	600 W
Gibov na minuto	800 - 3000 min ⁻¹
Dolžina giba	19 mm
Maximálna kapacita rezania	
Les	70 mm
Jeklo	6 mm

FUNKCIE

SPOZNAJTE SVOJO ŽAGO

Pred uporabo žage se seznanite z njenimi lastnostmi in varnostnimi pravili.

ELEKTRICKÁ PRÍPOJKA

Žaga ima natančno izdelan električni motor. Priključite samo na vir napajanja, ki se sklada s specifikacijami na podatkovni ploščici. Orodja ne uporabljajte na enosmernem toku (DC). Znaten padec napetosti bo povzročil izgubo moči in pregrevanje. Če orodje po vklopu v vtičnico ne deluje, še enkrat preverite električno napajanje.

VAROVANIE

Četudi se dodobra seznanite s tem orodjem, pri uporabi ne postanite neprevidni. Zapamätajte si, že sekunda nepozornosti može spôsobiť vážne zranenie.

PREVÁDZKA

SPÍNAČ

Pozrite si obrázok 1.

- Za vklop žage pritisnite stikalo.
- Spustite stikalo za vklop, če želite žago IZKLOPITI.

GUMB ZA ZAKLEPANJE

Pozrite si obrázok 1.

Žaga ima funkcija zaklepanja, ki je prirodna pri daljšem neprekinjenem rezanju, saj ohranja orodje v vključenem stanju. Za zaklep stikala najprej stisnite stikalo, nato pritisnite in zadržite gumb za zaklepanje na stranskem delu ročaja, na koncu pa spustite stikalo. Spustite gumb za zaklepanje in žaga bo še vedno delovala.

Za sprostitvev zaklepa pritisnite in nato spustite stikalo.

Če imate med uporabo omogočeno funkcijo zaklepanja v vključenem položaju in se žaga odklopi z vira napajanja, takoj onemogočite funkcijo zaklepanja.

VAROVANIE

Pred priklopom žage na vir napajanja vedno preverite, da žaga ni zaklenjena v vključenem položaju (pritisnite in spustite stikalo za vklop). Če tega ne storite, se lahko žaga po nesreči zažene, kar lahko povzroči hudo poškodbo. Taktiež nezaistujte spínač pri prácach, kde može byť potrebné náhle zastaviť pilku.

Slovenčina

NAMESTITEV REZIL

Pozrite si obrázok 3.

- Izklopite orodje.

VAROVANIE

Pri neodpojeni pilky by mohlo dôjsť k neúmyselnému spusteniu, čo by mohlo spôsobiť závažné osobné poranenie.

- Obrnite orodje na glavo.
- Zavrtite ročico za hitro sprostitev v nasprotni smeri urinega kazalca in jo zadržite.
- Vstavite rezilo žage v utor vodila valja in se prepričajte, da je zadnji del rezila pravilno nameščen v utor.

POZNÁMKA: Uporabljajte lahko samo vbodna rezila s T-glavo.

- Rezilo žage potisnite čim bolj v držalo rezila.
- Spustite ročico za hitro sprostitev.

VAROVANIE

Za preprečevanje hudih poškodb vedno nosite zaščitna očala s stransko zaščito. Med rezanjem držite roke in prste proč od ohišja motorja in rezila in ne segajte pod orodje.

VAROVANIE

Za preprečevanje hudih poškodb ne uporabljajte žage brez varovala na ustreznem mestu.

SPREMENLJIVA HITROST

Pozrite si obrázok 8.

Žaga ima izbirni gumb za spreminjanje hitrosti, ki upravitelju omogoča nadzor in prilagajanje hitrosti in moči orodja. Hitrost in moč žage lahko zvečate ali zmanjšate z vrtenjem gumba za nadzor hitrosti v smeri puščic.

POZNÁMKA: Držite žago v običajnem delovnem položaju in za povečanje hitrosti in moči zavrtite izbirni gumb za nadzor hitrosti v nasprotni smeri urinega kazalca. Za zmanjšanje hitrosti in moči zavrtite v smeri urinega kazalca.

Že želite zakleniti stikalo pri dani hitrosti, pritisnite stikalo, pritisnite in zadržite gumb za zaklep stikala in spustite stikalo. Nato prilagodite izbirni gumb za hitrost, dokler ne dosežete zelene hitrosti.

Izogibajte se daljši uporabi žage pri nizkih hitrostih. Nепrekinjena uporaba pod nizkimi hitrostmi lahko povzroči pregrevanje žage.

V takom pripade ochladte pilku tak, že ju necháte pracovať zát'áže a pri maximálnej rýchlosti.

Za določanje pravilne hitrosti za različne namene lahko uporabite naslednje smernice:

- Če potrebujete najmanjšo moč in hitrost, na primer pri začenanju reza, je idealno, da hitrost nastavite na LOW (NIZKO).
- Za rezanje trdih kovin, plastike in laminatov je najprimernejša nastavev hitrosti **MEDIUM** (SREDNJE).
- Če potrebujete največjo moč, na primer pri rezanju lesa, za doseganje najboljših rezultatov hitrost nastavite na HIGH (VISOKO). Mehke kovine, kot so aluminij, medenina in baker, ravno tako zahtevajo visoke hitrosti.

SHRANJEVANJE REZILA

Pozrite si obrázok 2.

Priročna lastnost žage je možnost spravila rezila. Oblast' uloženia ostria sa nachádza v zadnej časti kanálu na prach. Primerno za shranjevanje dodatnih rezil, kadar jih ne uporabljate.

- **Odpiranje:** S palcem ali prstom povlecite vrata navzdol.
- Rezila shranite v prostor za shranjevanje rezil.
- **Zapiranje:** S palcem ali prstom povlecite vrata navzgor.

VAROVANIE

Ne vstavljajte rezila žage v zračnike, saj ti lahko pridoje v stik z električnimi notranjimi deli in povzročijo električni udar, ta pa lahko povzroči hude poškodbe.

VAROVANIE

Ko sestavljate dele, prilagajate žago, nameščate ali odstranjujete rezila ali ko žage ne uporabljate, je nikoli ne imejte priključene na vir napajanja. Če odklopite orodje, se naprava ne more po nesreči sama zagnati, kar bi sicer lahko povzročilo hude poškodbe.

SPLOŠNO REZANJE

Pozrite si obrázok 4.

Položite srednji del osnove žage na delovni material in poravnajte rezni rob rezila s črto na delovnem materialu. Prepričajte se, da napajalni kabel ni v napoto oz. da ne ovira rezanja. Zaženite žago in jo pomaknite naprej po delovni površini. Pritisnite navzdol in tako ohranite stabilnost žage, naprej pa jo potiskajte samo toliko, da rezilo nenehno reže.

Slovenčina

VAROVANJE

Žage ne preobremenjujte. Preobremenitev žage lahko pregreje motor in polomi rezila.

KROŽNO GIBANJE

Pozrite si obrázok 4.

Ostrie tejto pítky reže v kruhovom pohybe. Táto funkciaje nastaviteľná a zaisťuje rýchlejšie a účinnejšie rezanie. S krožným gibanjem rezilo v smeri navzgor reže skozi delovni material, v smeri navzdol pa se ne vleče ob njega.

- Za hitro rezanje mehkejšega materiala uporabljajte visoke nastavitve (H).
- Lower (L) settings should be used when cutting materials with more resistance.

RAVEN REZ

Pozrite si obrázok 4.

Raven rez lahko naredite tako, da na delovni material pripnete kos lesa ali ravnilo in rob žage vodite ob njem. Rez opravite samo z ene strani; ne režite tako, da bi najprej šli do polovice in nato dokončali z druge strani.

REZBARJENJE

Pozrite si obrázok 5.

Z žago lahko tudi rezbarite, in sicer tako, da enakomerno pritiskate na ročaj in jo vodite v smeri reza.

VAROVANJE

Pretiran stranski pritisk na rezilo lahko povzroči zlom rezila ali poškodbe na materialu, ki ga režete.

REZANJE POD KOTOM (POŠEVNO REZANJE)

Pozrite si obrázok 6.

Kote za poševno rezanje lahko nastavite od 0° do 45° v desno ali levo. Koti za rezanje pri 0° do 45° v korakih po 22,5° so označeni na merilni lestvici na levi in desni strani osnovne plošče.

Za zelo natančne reze priporočamo uporabo kotomera.

PRILAGAJANJE KOTA

Pozrite si obrázok 6.

- S ključem odvijte vijak za pritrditev osnove toliko, da osnovo lahko premaknete.
- Narahlo pomaknite osnovo naprej in jo snemite z jezička na ohišju motorja.
- Poravnajte oznako želenega kota na osnovni plošči z robom ohišja motorja.
- Ko dosežete želeni kot, pomaknite osnovo nazaj,

dokler se jeziček na ohišju motorja ne poravna z ustrežno zarezo na zadnji strani osnove.

- Držalo vodila valjev namestite tako, da je vodilo usmerjeno proti zadnjemu delu rezila žage. Natančni rezi so mogoči samo, če je vodilo valjev usmerjeno tesno proti zadnjemu delu rezila žage.
- S ključem ponovno privijte vijak za pritrditev osnove, da se ne premika.

POTOPNI REZ

Pozrite si obrázok 7.

VAROVANJE

Za preprečevanje izgube nadzora, polomljenih rezil ali poškodb na delovnem materialu, bodite med izvajanjem potopnih rezov izjemno pazljivi. Potopnih rezov ne priporočamo za druge materiale, kot les.

- Jasno označite zelen potek reza na delovnem materialu.
- Nastavite kot rezanja na 0°.
- Nagnite žago naprej tako, da leži na sprednjem robu osnove, rezilo pa ob vklopu ne bo prišlo v stik z delovnim materialom.
- Prepričajte se, da je rezilo v območju, kjer želite rezati.
- Zaženite žago pri visoki hitrosti in počasi spustite rezilo na delovni material, dokler le-to v celoti ne zareže skozi les.
- Dalej spuščajte ostrie do obrobku, kým sa základňaneocitne zarovno s povrchom obrobku, potomposúvajte pítku dopredu a dokončite rez.
- Za to vrsto reza uporabljajte samo rezilo s 7 zobmi na en palec (pribl. 25 mm).

REZANJE KOVINE

Z ŽAGO lahko režete različne vrste kovin. Pazite, da ne zvijete ali skrivite rezil. Ne potiskajte je na silo.

Če rezilo pretirano ropota ali vibrira, uporabite rezilo z gostejšim zobovjem ali višjo hitrost. Če se rezilo pregreva, uporabite nižjo hitrost. Če se zobje rezila pri rezanju mehkejših kovin, kot je aluminij, zamašijo, uporabite rezilo z redkejšim zobovjem ali nižjo hitrost. Za rezanje kovin priporočamo uporabo olja, ki bo pomagalo hladiti rezila, izboljšalo rezanje in podaljšalo življenjsko dobo rezila. Dobro pričrveste delovni material in režite čim bližje pritrdilni točki; s tem se izognete neželenim vibracijam delovnega materiala med rezanjem.

Kadar režete vode, cevi ali kotne železne palice, jih, če je le mogoče, dajte v primež in žagajte blizu primeža. Pri

Slovenčina

rezani tenkeho materiálu navrstvitento materiál medzi drevtvieskovú dosku alebo preglejkua uchyťte tieto vrstvy, aby sa eliminovali vibrácie a thniamateriálu. Takto bude materiál rezaný hladko. Vzorec ali linijo reza postavite na vrh "sendviča".

▲ Dôležité!

Kadar režete kovino, izpostavljeni del žage pogosto brišite z naoljeno krpo in ga tako ohranite čistega in brez kovinskih okruškov. Kadar po končanem delu odstranjujete oljnato oz. mastno krpo, bodite izjemno previdni, saj lahko sprožite požar.

VODIČ OKOLO OKRAJA

Pozrite si obrázok 9.

Za žago je na voljo tudi robno vodilo, ki ga lahko uporabljate za križne in vzdolžne reze.

NAMESTITEV:

- Izklonite žago.

▲ VAROVANIE

Če naprave ne boste izključili, se ta lahko po nesreči vklopi in povzroči resne poškodbe.

- Vstavite roko robnega vodila skozi reži na osnovni plošči žage.
- Nastavite želeno širino robnega vodila in ga pritrдите s pomočjo vijaka vodila.

▲ VAROVANIE

Pri servise uporabite len identické náhradné diely. Použitím iných diel riskujete poškodenie zariadenia.

PRIKLOP SISTEMA ZA SESANJE PRAHU (NI PRILoŽEN)

- Izklonite orodje.

▲ VAROVANIE

Pri neodpojení pilky by mohlo dôjsť k neúmyselnému spusteniu, čo by mohlo spôsobiť závažné osobné poranenie.

- Šobo sistema za zbiranje prahu povežite z odprtino za prah.

INDIKÁTOR NÁSTROJA POD PRÚDOM

Tento nástroj je vybavený indikátorom zariadenia pod prúdom, ktorý sa rozsvieti, akonáhle pripojíte nástroj do elektrickej siete. Varuje tak používateľa, že nástroj je pripojený a po stlačení spínača sa spustí.

ÚDRŽBA**VŠEOBECNÉ POKYNY**

Vsi ostali deli predstavljajo pomemben del izolacijskega sistema i. razreda, ki ga lahko servisira samo usposobljen servisier.

Vyhýbajtesapoužitiurozpušťađielipričisteníplastovýchčastí. Večina vrst plastik se lahko pri uporabi različnih komercialnih topil poškoduje. Na odstránenie nečistoty, prachu, oleja, mazadla atď. použite čistú handričku.

▲ VAROVANIE

Nikdy nedovoľte kontaktu plastových dielov s brzdovou kvapalinou, benzínom, minerálnym olejom, agresívnym mazivami atď. Obsahujú chemikálie, ktoré môžu poškodiť,oslabiť alebo zničiť plasty.

Ugotovili smo, da so elektrická orodja podvržena pospešení obrabi in prezgodnjim okvaram, če jih uporabljate za steklena vlakna čolnov ali športnih avtomobilov ter zidne ali mavčne plošče.

Odkruški in ostružki teh materialov so zelo grobi do delov elektrických orodij, kot so npr. ležaji, ščetke, komutatorji ipd. V dôsledku toho neodporúčamepožívanie tohto nástroja na dlhšie práce na žiadnychtypoch sklolaminátových materiálov, obkladačkách aleboomietke. Med uporabo s temi materiali je izjemno pomembno, da orodje pogosto čistite s stisnjenim zrakom.

MAZANIE

Všetky ložiská v nástroji sa mažu dostatočným množstvom mazadla s vysokou kvalitou, kvôli dlhej životnosti jednotky za normálnych prevádzkových podmienok. Pretonie je potrebné žiadne ďalšie mazanie.

▲ UPOZORNENIE

Podaljške držite proč od območja rezanja in kabel speljite tako, da se med delom ne bo zapletel v les, orodje ipd.

Slovenčina

VAROVANIE

Pred vsako uporabo preverite podaljške in jih v primeru, da so poškodovani, takoj zamenjajte. Nikoli ne uporabljajte orodja s poškodovanim kablom, ker bi ob dotiku poškodovanega dela kabla lahko prišlo do električnega udara in hude poškodbe.

Podaljški, ki so primerni za uporabo z žago, so na voljo v vam najbližjem servisnem centru.

VAROVANIE

Pri práci s mehanickým nástrojom alebo ofukovaní prachu vždy používajte ochranné okuliare alebo ochranné okuliare s bočnými chráničmi. Ak pri práci vzniká prach, používajte aj protiprachovú masku.

OCHRANA ŽIVOTNÉHO PROSTREDIA

Surové materiály recyklujte, namiesto toho, aby ste ich zlikvidovali ako odpad. Stroj, príslušenstvo a obaly by sa mali triedene recyklovať spôsobom šetrným k životnému prostrediu.

ZNAČKY

Výstražná značka

V Volty

Hz Hertz

~ Striedavý prúd

W Watty

no Rýchlosť bez záťaže

min⁻¹ Otáčky alebo striedanie za minútu



Maximálna kapacita rezania do dreva



CE konformita



Dvojitá izolácia



Noste ochranu sluchu



Noste ochranu zraku



Pred zapnutím zariadenia si prosím prečítajte inštrukcie



Opotrebované elektrické zariadenia by ste nemali odhadzovať do domového odpadu. Prosíme o recykláciu ak je možné. Kontaktujte miestne úrady, alebo predajcu pre viac informácií ohľadom ekologického spracovania.

Ελληνικά

ΠΕΡΙΓΡΑΦΗ

1. Διακόπτης
2. Κουμπί κλειδώματος
3. Προστατευτικό λάμας
4. Πέλαμα
5. Εγκοπή
6. Λεπίδα κόπτη
7. Στόμιο αναρρόφησης
8. Καρούλι καθοδήγησης
9. Θύρα
10. Οδηγός παράλληλης κοπής
11. Βίδα σύσφιξης του οδηγού παράλληλης κοπής
12. Μοχλός γρήγορης στερέωσης της λάμας
13. Φωτεινή ένδειξη θέσης υπό τάση
14. Συμπαράσταση
15. Bιβ
16. Μεταβολές ταχύτητας
17. Διάταξη ρύθμισης της παλινδρομικής κίνησης.
18. Υποδοχή τακτοποίησης για τις λάμες

ΕΙΔΙΚΟΙ ΚΑΝΟΝΕΣ ΑΣΦΑΛΕΙΑΣ

- **Αν η εργασία προκαλεί σκόνη, φοράτε και ειδική μάσκα.**
- **Περιμένετε να σταματήσει ο κόπτης πριν αποθέσετε το εργαλείο.** Εκτεθειμένος κόπτης μπορεί να συνεχίσει να λειτουργεί στο πάτωμα και να προκαλέσει απώλεια του ελέγχου και σοβαρό τραυματισμό.
- **Κρατάτε το εργαλείο μόνο από τα μονωμένα και αντιολισθητικά τμήματα όταν εργάζεστε σε επιφάνεια η οποία μπορεί να κρύβει ηλεκτρικά καλώδια ή όταν η εργασία που θα πραγματοποιήσετε κινδυνεύει να φέρει το καλώδιο παροχής ρεύματος στην διαδρομή του εργαλείου.** Η επαφή με καλώδια υπό τάση θα μπορούσε να μεταδώσει το ρεύμα μέσα στα μεταλλικά τμήματα και να προκαλέσει ηλεκτροπληξία.
- **Αν το καλώδιο παροχής ρεύματος φθαρεί, πρέπει να αντικατασταθεί μόνο από τον παρασκευαστή ή εξουσιοδοτημένο κέντρο σέρβις για αποφυγή κινδύνων.**

ΠΡΟΔΙΑΓΡΑΦΕΣ

Τάση	230 V ~ 50 Hz
Ισχύς	600 W
Περάσματα ανά λεπτό	800 - 3000 min ⁻¹
Μήκος περάματος	19 mm
Μέγιστη κιναιότητα κοπής	
Ξύλο	70 mm
Ατσάλι	6 mm

ΧΑΡΑΚΤΗΡΙΣΤΙΚΑ

ΕΞΟΙΚΕΙΩΘΕΙΤΕ ΜΕ ΤΟΝ ΚΟΠΤΗ ΣΑΣ

Πριν προσπαθήσετε να χρησιμοποιήσετε τον κόπτη, εξοικειωθείτε με όλα τα χαρακτηριστικά λειτουργίας του και τις απαιτήσεις ασφάλειας.

ΗΛΕΚΤΡΟΛΟΓΙΚΗ ΣΥΝΔΕΣΗ

Ο κόπτης σας διαθέτει ενσωματωμένο ηλεκτρικό κινητήρα ακριβείας. Θα πρέπει να συνδέεται μόνο σε παροχή ρεύματος του τύπου που ορίζεται στην πλακέτα βαθμονόμησης του. **Do not operate this tool on direct current (DC).** Σημαντικές πτώσεις τάσης προκαλούν απώλεια ισχύος και υπερθέρμανση. Αν το εργαλείο σας δεν λειτουργεί ενώ το έχετε συνδέσει στην πρίζα, ελέγξτε ξανά την παροχή ρεύματος.

⚠ ΠΡΟΕΙΔΟΠΟΙΗΣΗ

Καθώς θα εξοικειώνεστε με τα εργαλεία, διατηρείτε την προσοχή σας. Μην ξεχνάτε ποτέ πως ένα δευτερόλεπτο απροσεξίας αρκεί για να τραυματιστείτε σοβαρά.

ΛΕΙΤΟΥΡΓΙΑ

ΔΙΑΚΟΠΤΗΣ

Skatiet 1. attēlu.

- Για να ενεργοποιήσετε τον κόπτη σας, πιέστε τον διακόπτη.
- Αφήστε τον διακόπτη για να απενεργοποιήσετε (OFF) τον κόπτη σας.

ΚΟΥΜΠΙ ΚΛΕΙΔΩΜΑΤΟΣ

Skatiet 1. attēlu.

Ο κόπτης σας είναι εξοπλισμένος με δυνατότητα κλειδώματος, που είναι πρακτική όταν απαιτείται συνεχόμενη κοπή για παρατεταμένα χρονικά διαστήματα. Για κλειδώμα, πιέστε τον διακόπτη, σπρώξτε και κρατήστε το κουμπί κλειδώματος που βρίσκεται στο πλάι της λαβής και στη συνέχεια αφήστε τον διακόπτη. Αφήστε το κουμπί κλειδώματος και ο κόπτης θα συνεχίσει να λειτουργεί.

Για να αφαιρέσετε το κλειδώμα, πιέστε τον διακόπτη και αφήστε τον.

Αν χρησιμοποιείτε τη δυνατότητα κλειδώματος και ο κόπτης αποσυνδεθεί από το ρεύμα, απενεργοποιήστε το κλειδώμα αμέσως.

Ελληνικά

⚠ ΠΡΟΕΙΔΟΠΟΙΗΣΗ

Πριν συνδέσετε τον κόπτη στο ρεύμα, ελέγχετε πάντα ότι δεν βρίσκεται σε κλειδωμένη θέση (πιέστε και αφήστε τον διακόπτη). Διαφορετικά, μπορεί να προκληθεί τυχαία εκκίνηση του κόπτη, οδηγώντας σε πιθανό σοβαρό τραυματισμό. Επίσης, μην ασφαλίσετε τη σέγα στη θέση "λειτουργία" αν πραγματοποιείτε εργασίες που απαιτούν συχνές στάσεις της σέγας.

ΓΙΑ ΤΗΝ ΤΟΠΟΘΕΤΗΣΗ ΛΕΠΙΔΩΝ

Skatiet 3. attēlu.

- Αποσυνδέστε από το ρεύμα το εργαλείο.

⚠ ΠΡΟΕΙΔΟΠΟΙΗΣΗ

Αν δεν αποσυνδέσετε τη σέγα μπορεί να επέλθει τυχαίο ξεκίνημα και να προκαλέσει σοβαρό σωματικό τραυματισμό.

- Γυρίστε το εργαλείο ανάποδα.
- Περιστρέψτε τον μοχλό γρήγορης απεμπλοκής αριστερόστροφα και κρατήστε τον στη θέση του.
- Εισάγετε τη λεπίδα κόπτη στο αυλάκι στον οδηγό κυλίνδρου και βεβαιωθείτε ότι η πίσω όψη της λεπίδας είναι καλά τοποθετημένη στο αυλάκι.
ΣΗΜΕΙΩΣΗ: Μπορούν να χρησιμοποιηθούν μόνο λεπίδες κόπτη στελέχους T.
- Σπρώξτε τη λεπίδα κόπτη στον σφικτήρα λεπιδών όσο πάει.
- Αφήστε τον μοχλό γρήγορης απεμπλοκής.

⚠ ΠΡΟΕΙΔΟΠΟΙΗΣΗ

Για να αποφύγετε πιθανούς τραυματισμούς, φοράτε πάντα προστατευτικά γυαλιά ή γυαλιά ασφάλειας με πλαιών προστατευτικά. Διατηρείτε χέρια και δάκτυλα μακριά από το περιβλημα κινήτρια και τον σφικτήρα λεπίδας και μην απλώνετε τα χέρια σας κάτω από το τεμάχιο στο οποίο εργάζεστε, όσο κόβει η λεπίδα.

⚠ ΠΡΟΕΙΔΟΠΟΙΗΣΗ

Για να αποφύγετε σοβαρούς τραυματισμούς, μην χρησιμοποιείτε τον κόπτη χωρίς τα προστατευτικά ασφάλειας τοποθετημένα.

ΜΕΤΑΒΛΗΤΗ ΤΑΧΥΤΗΤΑ

Skatiet 8. attēlu.

Ο κόπτης σας διαθέτει επιλογή ελέγχου μεταβλητής

ταχύτητας, σχεδιασμένο ώστε να επιτρέπει στον χειριστή έλεγχο και προσαρμογή των ορίων ταχύτητας και ισχύος. Η ταχύτητα και η ισχύς του κόπτη σας μπορούν να αυξηθούν ή να μειωθούν, περιστρέφοντας τον επιλογέα ελέγχου μεταβλητής ταχύτητας σύμφωνα με την κατεύθυνση των βελών.

ΣΗΜΕΙΩΣΗ: Κρατάτε τη σέγα σε θέση κανονικής λειτουργίας και γυρίστε τον μεταβολέα ταχύτητας προς τα αριστερά για να αυξήσετε την ταχύτητα και την ισχύ της σέγας σας. Γυρίστε δεξιόστροφα για να μειώσετε την ταχύτητα και την ισχύ.

Αν θέλετε να κλειδώσετε τον διακόπτη σε μια συγκεκριμένη ταχύτητα, πιέστε τον διακόπτη, σπρώξτε τον προς τα μέσα, κρατήστε το κουμπί κλειδώματος και στη συνέχεια αφήστε τον διακόπτη. Στη συνέχεια ρυθμίστε τον επιλογέα ελέγχου μεταβλητής ταχύτητας μέχρι να επιτύχετε την ταχύτητα που επιθυμείτε.

Αποφύγετε να λειτουργείτε τον κόπτη σε χαμηλές ταχύτητες για παρατεταμένα χρονικά διαστήματα. Η λειτουργία σε χαμηλές ταχύτητες με συνεχή χρήση μπορεί να προκαλέσει υπερθέρμανση του κόπτη. Στην περίπτωση αυτή, λειτουργήστε το πριόνι στο κενό στη μέγιστη ταχύτητα ώστε να κρυώσει.

Οι παρακάτω οδηγίες μπορούν να χρησιμοποιηθούν για να βρείτε τη σωστή ταχύτητα σε διάφορες εφαρμογές:

- Η ταχύτητα LOW (χαμηλή) είναι ιδανική όταν απαιτείται ελάχιστη ταχύτητα και ισχύς, π.χ. στην έναρξη κοπής.
- Η ταχύτητα MEDIUM (μέση) είναι κατάλληλη για την κοπή σκληρών μετάλλων, πλαστικών και ελασματοποιημένων επιφανειών.
- Η ταχύτητα HIGH (υψηλή) δίνει καλύτερα αποτελέσματα όταν απαιτείται μέγιστη ισχύς, π.χ. στην κοπή ξύλου. Μαλακά μέταλλα όπως αλουμίνιο, μπρούντζος και χαλκός χρειάζονται επίσης υψηλές ταχύτητες.

ΘΗΚΗ ΛΕΠΙΔΑΣ

Skatiet 2. attēlu.

Ένα πρακτικό χαρακτηριστικό του κόπτη σας είναι η θήκη φύλαξης λεπίδας. Η υποδοχή αυτή βρίσκεται στο πίσω μέρος του στομίου αναρρόφησης της σκόνης. Η θήκη είναι πρακτική για να φυλάσσετε επιπρόσθετες λεπίδες όταν δεν τις χρησιμοποιείτε.

- **Για άνοιγμα:** Τραβήξτε την πόρτα προς τα κάτω με τον αντίχειρα ή ένα άλλο δάχτυλό σας.
- Τοποθετήστε τις λεπίδες στον χώρο φύλαξης λεπιδών.
- **Για κλείσιμο:** Τραβήξτε την πόρτα προς τα πάνω με τον αντίχειρα ή ένα άλλο δάχτυλό σας.

Ελληνικά

⚠ ΠΡΟΕΙΔΟΠΟΙΗΣΗ

Μην εισάγετε τη λεπίδα του κόπτη σε οπές εξαερισμού, αφού μπορεί να έρθουν σε επαφή με ηλεκτροφόρα εσωτερικά εξαρτήματα προκαλώντας ηλεκτροπληξία και σοβαρό τραυματισμό.

⚠ ΠΡΟΕΙΔΟΠΟΙΗΣΗ

Ο κόπτης σας δεν πρέπει ποτέ να είναι συνδεδεμένος στο ρεύμα όταν συναρμολογείτε εξαρτήματα, κάνετε προσαρμογές, τοποθετείτε ή αφαιρείτε λεπίδες ή δεν τον χρησιμοποιείτε. Η αποσύνδεση του εργαλείου εμποδίζει την τυχαία εκκίνησή του που θα μπορούσε να προκαλέσει σοβαρό τραυματισμό.

ΓΕΝΙΚΕΣ ΚΟΠΕΣ

Skatiet 4. attēlu.

Ακουμπήστε το μπροστινό μέρος της βάσης κόπτη στο τεμάχιο στο οποίο εργάζεστε και ευθυγραμμίστε την άκρη κοπής της λεπίδας με τη γραμμή στο τεμάχιο σας. Βεβαιωθείτε ότι το καλώδιο προέκτασης βρίσκεται μακριά από τη λεπίδα κόπτη και όχι στη γραμμή κοπής. Ξεκινήστε τον κόπτη σας και μετακινήστε τον προς την επιφάνεια εργασίας. Ασκείτε πίεση προς τα κάτω για να διατηρήτε τον κόπτη σταθερό και μόνο όση πίεση προς τα εμπρός χρειάζεται για να συνεχίζει να κόβει η λεπίδα.

⚠ ΠΡΟΕΙΔΟΠΟΙΗΣΗ

Μην πιέζετε υπερβολικά τον κόπτη. Η υπερβολική πίεση στον κόπτη μπορεί να προκαλέσει υπερθέρμανση του κινητήρα και σπάσιμο των λεπίδων.

ΤΡΟΧΙΑΚΗ ΚΙΝΗΣΗ

Skatiet 4. attēlu.

Η λάμα της σέγας κόβει πραγματοποιώντας μιαπαλινοδρομική κίνηση. Η λειτουργία αυτή είναι ρυθμιζόμενη και επιτρέπει μια συντομότερη και αποτελεσματικότερη κοπή. Με τροχιακή κίνηση, η λεπίδα κόβει το τεμάχιο σας με την πάνω κίνηση αλλά δεν σύρεται κατά μήκος του με την κάτω.

- Υψηλότερες ρυθμίσεις (H) πρέπει να χρησιμοποιούνται σε γρήγορες κοπές σε μαλακό υλικό.
- Χαμηλότερες (L) ρυθμίσεις πρέπει να χρησιμοποιούνται όταν κόβετε υλικά με μεγαλύτερη αντίσταση.

ΕΥΘΕΙΑ ΚΟΠΗ

Skatiet 4. attēlu.

Για να εκτελέσετε ευθεία κοπή, συγκρατήστε ένα κομμάτι ξύλο ή ίσια σφήνα στο κομμάτι στο οποίο εργάζεστε και φέρετε την άκρη του κόπτη κόντρα σε αυτό. Εκτελέστε την

κοπή μόνο από μία κατεύθυνση, μην κόβετε στη μέση για να ολοκληρώσετε την κοπή από την άλλη άκρη.

ΚΟΠΕΣ ΚΥΛΙΣΗΣ

Skatiet 5. attēlu.

Μπορείτε να κάνετε κοπές κύλισης με τον κόπτη, οδηγώντας την κατεύθυνση της κοπής ασκώντας πίεση στη λαβή.

⚠ ΠΡΟΕΙΔΟΠΟΙΗΣΗ

Υπερβολική πλευρική πίεση στη λεπίδα, μπορεί να προκαλέσει σπάσιμο της λεπίδας ή φθορά στο υλικό που κόβεται.

ΚΟΠΗ ΣΕ ΓΩΝΙΑ (ΛΟΞΟΤΜΗΣΗ)

Skatiet 6. attēlu.

Οι γωνίες λοξότμησης μπορούν να ρυθμιστούν από 0° έως 45° δεξιά ή αριστερά. Γωνίες για κοπές από 0° έως 45° σε προσαυξήσεις των 22.5° είναι σημειωμένες σε κλίμακα στην αριστερή και την δεξιά πλευρά της βάσης.

Η χρήση μοιρογυμωμίου προτείνεται όταν χρειάζεστε ακριβείς κοπές.

ΡΥΘΜΙΣΗ ΓΩΝΙΑΣ

Skatiet 6. attēlu.

- Ξεσφίξτε τη βίδα συγκράτησης βάσης με το κλειδί, μέχρι να μπορείτε να μετακινήσετε τη βάση.
- Σπρώξτε ελαφρά μπροστά τη βάση για να την αφαιρέσετε από τη γλώσσα στο περίβλημα κινητήρα.
- Ευθυγραμμίστε το σημάδι στη βάση της επιθυμητής γωνίας με την άκρη του περιβλήματος κινητήρα.
- Αφού επιτευχθεί η επιθυμητή γωνία, γυρίστε τη βάση προς τα πίσω μέχρι η γλώσσα στο περίβλημα κινητήρα να ευθυγραμμιστεί με την κατάλληλη εσοχή στο πίσω μέρος της βάσης.
- Τοποθετήστε τη βάση για τον οδηγό κυλίνδρου με τρόπο ώστε ο οδηγός να κοιτάζει στο πίσω μέρος της λεπίδας κόπτη. Μπορείτε να κάνετε κοπές με ακριβεία μόνο αν ο κύλινδρος οδηγού κοιτάζει ακριβώς στο πίσω μέρος της λεπίδας κόπτη.
- Σφίξτε ξανά τη βίδα συγκράτησης βάσης με το κλειδί, για να στερεωθεί.

ΓΙΑ ΝΑ ΚΑΝΕΤΕ ΒΑΘΙΑ ΚΟΠΗ

Skatiet 7. attēlu.

Ελληνικά**⚠ ΠΡΟΕΙΔΟΠΟΙΗΣΗ**

Για να αποφύγετε την απώλεια ελέγχου, το στάσιμο λεπίδων ή φθορές στο υλικό που κόβεται, προσέχετε πάντα πάρα πολύ όταν κάνετε βαθιές κοπές. Δεν προτείνουμε την εκτέλεση βαθιάς κοπής σε οποιοδήποτε υλικό εκτός του ξύλου.

- Σημειώστε τη γραμμή κοπής καθαρά στο τεμάχιο στο οποίο εργάζεστε.
- Ρυθμίστε τη γωνία κοπής στις 0°.
- Γείρετε τον κόπτη προς τα εμπρός ώστε να ακουμπήσει στην μπροστινή άκρη της βάσης και η λεπίδα να μην έρχεται σε επαφή με το τεμάχιο εργασίας, όταν ο κόπτης ενεργοποιηθεί.
- Βεβαιωθείτε ότι η λεπίδα βρίσκεται στο εσωτερικό της περιοχής που θα κοπεί.
- Ξεκινήστε τον κόπτη με υψηλή ταχύτητα και χαμηλώστε αργά τη λεπίδα στο τεμάχιο στο οποίο εργάζεστε, μέχρι να κόψει το ξύλο.
- Συνεχίστε να κατεβάζετε τη λεπίδα στο κομμάτι στο οποίο εργάζεστε, μέχρι η βάση να ακουμπήσει επίπεδη στην επιφάνεια εργασίας και έπειτα μετακινήστε τον κόπτη προς τα εμπρός για να ολοκληρώσετε την κοπή.
- Χρησιμοποιείτε μόνο τη λεπίδα 7 δοντιών ανά ίντσα για αυτόν τον τύπο κοπής.

ΚΟΠΗ ΜΕΤΑΛΛΩΝ

Μπορείτε να κόψετε πολλά είδη μετάλλων με τον κόπτη σας. Προσέχετε να μην στρίβετε ή λυγίζετε τις λεπίδες. Προσέξτε να μη ζορίσετε το τριβείο.

Αν η λεπίδα κροταλίζει ή έχει υπερβολικούς κραδασμούς, χρησιμοποιήστε λεπίδα με πιο λεπτά δόντια ή υψηλότερες ταχύτητες. Αν η λεπίδα θερμανθεί υπερβολικά, χρησιμοποιήστε χαμηλότερη ταχύτητα. Αν τα δόντια της λεπίδας γεμίσουν ή φραχτούν κατά την κοπή μαλακών υλικών, όπως αλουμίνιο, χρησιμοποιήστε λεπίδα με πιο τραχιά δόντια ή χαμηλότερες ταχύτητες. Προτείνουμε τη χρήση λαδιού όταν κόβετε μέταλλα, ώστε να διατηρούνται οι λεπίδες δροσερές, να αυξάνεται η λειτουργία κοπής και να παρατείνεται η διάρκεια ζωής των λεπίδων. Πιάστε το κομμάτι στο οποίο εργάζεστε καλά και κόψτε κοντά στο σημείο συγκράτησης για να μην προκαλούνται κραδασμοί κατά την κοπή.

Κατά την κοπή αγωγών ή σιδερογωνιών, πιάστε το τεμάχιο στο οποίο εργάζεστε σε μέγγενη αν είναι δυνατό και κόψτε κοντά σε αυτήν. Για να κόψετε λεπτά ελάσματα, σφίξτε τα ανάμεσα σε δισπάκες από ξύλο ή κοντραπλακέ και πριονίστετα μαζί για να αποφύγετε τις δονήσεις ή τοσκίσιμο του υλικού. Αυτό θα σας επιτρέψει να πραγματοποιήσετε μια καθαρή κοπή του υλικού. Σχεδιάστε το μοτίβο σας ή την γραμμή κοπής πάνω στο "σάντουιτς".

⚠ IMPORTANT

Κατά την κοπή μετάλλου, διατηρείτε το εκτεθειμένο τμήμα της μπάρας του κόπτη μακριά και καθαρό από μεταλλικά ρινίσματα, σκουπίζοντας το τακτικά με ένα πανί με λάδι. Προσέχετε πάρα πολύ στην απόρριψη πανιών με λάδι μετά την ολοκλήρωση εργασιών, ώστε να αποφύγετε τον πιθανό κίνδυνο φωτιάς.

ΟΔΗΓΟΣ ΠΑΡΑΛΛΗΛΗΣ ΚΟΠΗΣ

Skatiet 9. attēlu.

Μαζί με τον κόπτη παρέχεται οδηγός άκρης που μπορεί να χρησιμοποιηθεί για να κάνετε σταυρωτές κοπές και κοπές απόσχισης.

ΤΟΠΟΘΕΤΗΣΗ:

- Αποσυνδέστε από το ρεύμα τον κόπτη.

⚠ ΠΡΟΕΙΔΟΠΟΙΗΣΗ

Αν δεν αποσυνδέσετε το τριβείο, μπορεί να ετελέθει τυχαίο ξεκίνημα και να προκαλέσει σοβαρό σωματικό τραυματισμό.

- Εισάγετε τον βραχίονα του οδηγού άκρης μέσα από τις δύο θύρες στη βάση του κόπτη.
- Ρυθμίστε τον οδηγό άκρης στο επιθυμητό πλάτος και κλειδώστε τον στη θέση του με τη βίδα οδηγού άκρης.

⚠ ΠΡΟΕΙΔΟΠΟΙΗΣΗ

Κατά τις επιδιορθώσεις, χρησιμοποιείτε μόνο πανομοιότυπα ανταλλακτικά. Η χρήση άλλων εξαρτημάτων μπορεί να προκαλέσει κίνδυνο ή ζημιά στο προϊόν.

ΓΙΑ ΝΑ ΣΥΝΔΕΣΕΤΕ ΤΟ ΣΥΣΤΗΜΑ ΑΠΟΣΠΑΣΗΣ ΠΡΙΟΝΙΔΙΩΝ (ΔΕΝ ΠΕΡΙΛΑΜΒΑΝΕΤΑΙ)

- Αποσυνδέστε από το ρεύμα το εργαλείο.

⚠ ΠΡΟΕΙΔΟΠΟΙΗΣΗ

Αν δεν αποσυνδέσετε τη σέγα μπορεί να ετελέθει τυχαίο ξεκίνημα και να προκαλέσει σοβαρό σωματικό τραυματισμό.

- Συνδέστε το ακροφύσιο του συστήματος συλλογής σκόνης στη θύρα σκόνης.

Ελληνικά

ΦΩΤΕΙΝΗ ΕΝΔΕΙΞΗ ΘΕΣΗΣ ΥΠΟ ΤΑΣΗ

Το εργαλείο σας είναι εξοπλισμένο με μια φωτεινή ένδειξη θέσης υπό τάση η οποία ανάβει μόλις το εργαλείο συνδεθεί. Η ένδειξη αυτή εφιστά την προσοχή σας στο γεγονός ότι το εργαλείο είναι συνδεδεμένο και θα τεθεί σε λειτουργία μόλις πιέσετε τον διακόπτη.

ΣΥΝΤΗΡΗΣΗ**ΓΕΝΙΚΕΣ ΣΥΣΤΑΣΕΙΣ**

Όλα τα άλλα εξαρτήματα αποτελούν σημαντικό μέρος συστήματος μόνωσης κλάσης II και θα πρέπει να επισκευάζονται μόνο από ειδικευμένο τεχνικό σέρβις.

Αποφύγετε τη χρήση διαλυτών κατά τον καθαρισμό πλαστικών εξαρτημάτων.

Τα περισσότερα πλαστικά είναι επιρρεπή σε φθορές από τους διάφορους τύπους διαλυτών που είναι διαθέσιμοι στο εμπόριο. Χρησιμοποιήστε ένα καθαρό πανί για να αφαιρέσετε βρωμιά, σκόνη, λάδια, γράσο κ.λπ.

⚠ ΠΡΟΕΙΔΟΠΟΙΗΣΗ

Μην αφήνετε ποτέ υγρά φρένων, βενζίνη, προϊόντα με βάση το πετρέλαιο, διεισδυτικά έλαια, κλπ να έρθουν σε επαφή με τα πλαστικά τμήματα. Τα προϊόντα αυτά περιέχουν χημικές ουσίες που μπορούν να προξενήσουν ζημιά, να μειώσουν ή να καταστρέψουν τοπλαστικό.

Έχει βρεθεί ότι τα ηλεκτρικά εργαλεία παρουσιάζουν γρηγορότερα φθορά και πιθανώς χαλάνε νωρίτερα όταν χρησιμοποιούνται σε σκάφη με φάιμπεργκλας, σπορ αυτοκίνητα, γυφωσανίδες ή γύψο.

Τα ρινίσματα και ροκανίδια από αυτά τα υλικά είναι εξαιρετικά τριπτικά για εξαρτήματα ηλεκτρικών εργαλείων όπως έδρανα, ψήκτρες, μετατροπείς κλπ. Συνεπώς, σας αποτρέπουμε από την παρατεταμένη χρήση του εργαλείου αυτού επάνω σε φάιμπεργκλας, ελάσματα επικάλυψης, στόκο ή γύψο. Κατά τη διάρκεια χρήσης σε αυτά τα υλικά, είναι εξαιρετικά σημαντικό να καθαρίζετε τακτικά το εργαλείο φυσώντας με δέσμη αέρα.

ΛΙΠΑΝΣΗ

Όλα τα έδρανα στο εργαλείο έχουν λιπανθεί με επαρκή ποσότητα λιπαντικού υψηλού τύπου που αρκεί για τη διάρκεια ζωής της μονάδας σε συνθήκες κανονικής χρήσης. Συνεπώς, δε χρειάζεται καμία επιπλέον λίπανση.

⚠ ΠΡΟΣΟΧΗ

Διατηρείτε τα καλώδια προέκτασης μακριά από την περιοχή κοπής και τοποθετήστε έτσι ώστε να μην μπορούν να πιαστούν σε ξυλικά, εργαλεία κλπ. κατά τη διάρκεια της κοπής.

⚠ ΠΡΟΕΙΔΟΠΟΙΗΣΗ

Ελέγχετε τα καλώδια προέκτασης πριν από κάθε χρήση και σε περίπτωση φθορών, αντικαταστήστε τα αμέσως. Μην χρησιμοποιείτε ποτέ εργαλεία με φθαρμένα καλώδια, αφού η επαφή με τη φθαρμένη περιοχή μπορεί να προκαλέσει ηλεκτροπληξία και σοβαρό τραυματισμό.

Μπορείτε να βρείτε κατάλληλα καλώδια προέκτασης για χρήση με τον κόπτη σας, στο πλησιέστερο κέντρο σέρβις.

⚠ ΠΡΟΕΙΔΟΠΟΙΗΣΗ

Φοράτε πάντα προστατευτικά γυαλιά ή γυαλιά ασφαλείας με πλαϊνές ασπίδες κατά τον χειρισμό μηχανοκίνητων εργαλείων ή σε εργασίες με σκόνη. Αν η εργασία προκαλεί σκόνη, φοράτε και ειδική μάσκα.

ΠΡΟΣΤΑΣΙΑ ΤΟΥ ΠΕΡΙΒΑΛΛΟΝΤΟΣ

Ανακυκλώνετε τις πρώτες ύλες αντί να τις πετάτε στον κάδο οικιακών απορριμμάτων. Για την προστασία του περιβάλλοντος, πρέπει να γίνεται i διαλογή του εργαλείου, των εξαρτημάτων και των συσκευασιών του.

ΠΣΥΜΒΟΛΟ

Προειδοποίηση ασφάλειας

V	Βλτ
Hz	ερτς
~	Εναλλασσμεν ρεύμα
W	Βατ
n ₀	Ταύτητα στ κεν
min ⁻¹	Αριθμ στρών ή κινήσεων ανά λεπτ



Μέγιστη δυνατότητα κοπής σε ξύλο



Συμμόρφωση CE

Ελληνικά

Διπλη μονωση



Φοράτε προστατευτικά αυτιών



Φοράτε προστατευτικά ματιών



Παρακαλούμε διαβάστε τις οδηγίες προσεκτικά πριν ξεκινήσετε το μηχάνημα.



Τα ηλεκτρικά προϊόντα προς απόρριψη δεν θα πρέπει να απορρίπτονται μαζί με τα οικιακά απόβλητα. Παρακαλούμε ανακυκλώστε όπου υπάρχουν οι αντίστοιχες εγκαταστάσεις. Μιλήστε με τις τοπικές αρχές ή τον πωλητή για να σας ενημερώσουν σχετικά με τα προγράμματα ανακύκλωσης.

Türkçe

AÇIKLAMA

1. Akım anahtarı
2. Kilitleme düğmesi
3. Bıçak koruyucu
4. Taban
5. Çentik
6. Testere bıçağı
7. Emme borusu
8. Rehber ruleti
9. Yiv
10. Paralel kesim kılavuzu
11. Paralel kesim rehberi sıkma vidası
12. Bıçak hızlı takma kolu
13. Akım verme gösterge lambası
14. Tutucusunu
15. Vidalar
16. Hız değiştiricisi
17. Askı hareketi ayarlama düğmesi
18. Bıçak saklama bölmesi

ÖZEL GÜVENLİK KURALLARI

- İşlem tozlu olacaksa aynı zamanda bir toz maskesi de kullanın.
- Aleti aşağıya alçaltmadan önce kesicinin durmasını bekleyin. Açıkta bulunan kesici, yüzeye çarparak olası kontrol kaybına ve ciddi yaralanmalara neden olabilir.
- Elektrik kablolarını gizleyen bir yüzey üzerinde çalıştığınızda veya yapılan çalışmanın elektrik kablosunu aletin yörüngesine getirmeye elverişli olduğunda cihazı sadece yalıtımlı ve kaymaz kısımlarından tutun. Elektrik yüklü kablolarla temas halinde, akımı metal kısımlara iletilir ve bir elektrik çarpmasına sebep olabilir.
- Elektrik kablosu hasar görmüşse tehlikeyi önlemek için sadece üretici veya yetkili bir servis merkezi tarafından değiştirilmelidir.

ÖZELLİKLER

Gerilim	230 V ~ 50 Hz
Güç	600 W
Dakikada strok	800 - 3000 min ⁻¹
Strok uzunluğu	19 mm
Maksimum kesim kapasitesi	
Ahşap	70 mm
Çelik	6 mm

ÖZELLİKLER

TESTERENİZİ TANIYIN

Testereyi kullanmayı denemeden önce tüm çalışma özellikleri ve güvenlik gereksinimleri konusunda bilgi edinin.

ELEKTRİK BAĞLANTISI

Testerenizde hassas bir elektrikli motor bulunmaktadır. Sadece değer plakasında belirtilen türdeki bir güç kaynağına bağlanmalıdır. Bu cihaz doğru akımda (DC) çalıştırmayın. Önemli bir voltaj düşmesi güç kaybına ve aşırı ısınmaya neden olur. Bir prize taktığınızda alet çalışmıyorsa güç kaynağını iki kez kontrol edin.

⚠ UYARI

Sizi dikkatsiz yapacak aletle ilgili alışkanlıklarınıza izin vermeyin. Ciddi şekilde yaralanmanız için bir saniyelik dikkatsizliğin bile yeterli olduğunu asla unutmayın.

ÇALIŞTIRMA

AKIM ANAHTARI

Şekle bakınız 1.

- Testerenizi açmak için anahtara basın.
- Testerenizi DURDURMAK için tetik anahtarı bırakın.

KİLİTLEME DÜĞMESİ

Şekle bakınız 1.

Testerenizde kilitleme özelliği bulunmaktadır, bu özellik uzun süreli yapılacak kesme işlemi için uygundur. Kilitlemek için tetik anahtara basın tutamağın yan tarafında bulunan kilitleme düğmesini itin ve tutun, ardından tetik anahtarı bırakın. Kilitleme düğmesini bırakın, testereniz çalışmaya devam eder.

Kilidi devre dışı bırakmak için tetik anahtara basın ve bırakın.

Testerenizi kullanım esnasında tetik açık konumda kilitletiyseniz ve testerenizin bağlantısı güç kaynağından kesilirse bu özelliği hemen devreden çıkarın.

Türkçe

⚠ UYARI

Testerinizin güç kaynağına bağlamadan önce daima tetiğin açık konumda kilitlemiş olmadığını kontrol ettiğinizden emin olun (tetik anahtara basın ve bırakın). Buna uymamak olası ciddi yaralanmalarla sonuçlanan testerenizin yanlışlıkla çalışmasına neden olabilir. Aynı zamanda, testerenin sık sık durdurulmasını gerektirecek işlemler gerçekleştiriyorsanız testereyi "çalıştırma" konumunda kilitlemeyiniz.

BIÇAKLARI TAKMAK İÇİN

Şekle bakınız 3.

- Aletin fişini prizden çekin.

⚠ UYARI

Testere fişten çekilmemiş ise, istem dışı çalışma meydana gelebilir ve ciddi yaralanmalara sebep olabilir.

- Aleti ters çevirin.
- Hızlı serbest bırakma kolunu saat yönünün tersinde döndürün ve yerinde tutun.
- Testere bıçağının arka tarafı kanalın içinde doğru olarak konumlanmasını sağlayarak tekerlekli kılavuz içindeki kanala testere bıçağı sokun.

NOT: Sadece T saplı testere bıçakları kullanılabilir.

- Testere bıçağını gittiği kadar bıçak kelepçesinin içine itin.
- Hızlı serbest bırakma kolunu bırakın.

⚠ UYARI

Olası ciddi yaralanmaları önlemek için daima yan siperliklere sahip koruyucu gözlükler kullanın. Ellerinizi ve parmaklarınızı motor gövdesinden ve bıçak kelepçesinden uzak tutun bıçak kesim işleminden önce iş parçasının altına uzanmayın.

⚠ UYARI

Ciddi kişisel yaralanmaları önlemek için emniyet muhafazası yerinden olmadan testereyi kullanmayın.

DEĞİŞKEN HIZLI

Şekle bakınız 8.

Testerenizde, operatöre hız ve güç limitlerini kontrol

etmek ve ayarlamak için olanak sağlamak için tasarlanmış bir değişken hız kontrol seçici düğmesi bulunmaktadır. Testerenizin hızı ve gücü, değişken hız kontrol seçici anahtarı ok yönlerinde döndürülerek artırılabilir veya düşürülebilir.

NOT: Testereyi normal çalışma konumunda tutunuz ve testerenizin hızını ve gücünü arttırmak için hız seçicisini saat yönünün tersine çeviriniz. Hızı ve gücü azaltmak için saat yönünde döndürün.

Anahtarı belirli bir hızda kilitlemek istiyorsanız tetik anahtara basın, içeri itin ve kilitleme düğmesini tutun ardından tetik anahtarı bırakın. Ardından değişken hız kontrol seçicisini istenen hıza ulaşılan kadar ayarlayın.

Testerenizi uzun süre düşük hızlarda çalıştırmaktan kaçının. Sürekli kullanımda düşük hızda çalıştırmak testerenizin aşırı ısınmasına neden olabilir. Bu durumda, testerenizi soğutmak için maksimum hızda boşta çalıştırınız.

Aşağıdaki yönergeler, çeşitli uygulamalar için doğru hızı hesaplamada kullanılabilir:

- **LOW** (düşük) hız, örneğin başlangıç kesimleri gibi minimum hız ve güç gerekli olduğunda idealdir.
- **MEDIUM** (orta) hız sert metalleri, plastikleri ve lamineleri kesmek için uygundur.
- **HIGH** (yüksek) hız, örneğin ahşap kesiminde olduğu gibi maksimum hız gerekli olduğunda en iyi sonuçları verir. Alüminyum, piriç ve bakır gibi yumuşak metallerde yüksek hız gerektirir.

BIÇAK SAKLAMA YERİ

Şekle bakınız 2.

Testerenizin kullanışlı bir özelliği bıçak saklama yeridir. Bu bölme toz emme borusunun arkasında yer almaktadır. Kullanımda değilken ilave bıçakların saklanması için kullanışlıdır.

- **Açmak için:** Başparmağınız veya diğer parmaklarınızla kapağı aşağıya çekin.
- Bıçakları bıçak saklama alanına yerleştirin.
- **Kapatmak için:** Başparmağınız veya diğer parmaklarınızla kapağı yukarıya itin.

⚠ UYARI

Elektrik yüklü iç parçalara temas edebileceği ve ciddi yaralanmalara yol açabilecek elektrik çarpmalarına neden olabileceği için testere bıçağını havalandırma deliklerinden içeri sokmayın.

Türkçe

⚠ UYARI

Parça takarken, ayar yaparken, bıçak çıkarırken veya takarken ya da kullanmıyorken testereniz asla güç kaynağına bağlı olmamalıdır. Cihazın fişini prizden çekmek, ciddi kişisel yaralanmalara neden olabilecek aletin yanlışlıkla çalışma riskini ortadan kaldırır.

GENEL KESİM İŞLEMİ

Şekle bakınız 4.

Testere tabanının ön tarafını iş parçası üzerine dayayın ve bıçağın kesici kenarını iş parçasının üzerindeki çizgiyle hizalayın. Elektrik kablosunun testere bıçağı yolunun dışında olmasını ve kesme çizgisinde olmamasını sağlayın. Testerenizi çalıştırın ve çalışma yüzeyi üzerinde ileri doğru hareket ettirin. Testereyi sağlam tutmak için aşağıya doğru ve bıçağın kesmesini sağlamak için ileri doğru yeteri kadar kuvvet uygulayın.

⚠ UYARI

Testerenizi zorlamayın. Testerenizi zorlamak motorun aşırı ısınmasına ve testere bıçağının kırılmasına neden olabilir.

YÜRÜNGESEL HAREKET

Şekle bakınız 4.

Testerenin bıçağı askı hareketiyle keser. Bu fonksiyon ayarlanabilir ve daha etkili ve hızlı bir kesim sağlar. Dairesel hareketle bıçak iş parçasını yukarı vuruşla keser ancak iş parçasını boyunca aşağı vuruşla sürüklemeyiz.

- Yumuşak malzemede hızlı kesim gerektiğinde yüksek ayarlar (H) kullanılmalıdır.
- Düşük (L) ayarlar, fazla dirence sahip malzemeler keserken kullanılmalıdır.

DÜZ KESİM

Şekle bakınız 4.

Düz bir kesim, bir parça tahtanın veya mastarın iş parçasına sıkıştırılması ve testerenizin kenarı buna dayalı yönlendirilmesiyle yapılabilir. Sadece bir yönden kesim işlemi gerçekleştirin karşı uçtan gelen kesiciyi tamamlamak için yarı yoldan kesmeyin.

KAYDIRMA KESİM

Şekle bakınız 5.

Kaydırma kesimler, tutamağa uygulanan kuvvetle yön belirlenerek testerenizle yapılabilir.

⚠ UYARI

Bıçağa uygulanan aşırı yan basınç, bıçağın kırılmasına veya kesilen iş parçasının zarar görmesine neden olabilir.

AÇILI KESME (EĞİMLİ KESME)

Şekle bakınız 6.

Eğimli kesme açıları sağa veya sola 0° ile 45° arasında ayarlanabilir. Tabanın hem sol hem de sağ tarafında bulunan bir ölçek üzerinde 22,5° aralıklarla 0° ile 45° arasında kesim için açılar vardır.

Hassas kesimler gerekli olduğunda açılölçerin kullanılması önerilir.

AÇININ AYARLANMASI

Şekle bakınız 6.

- Taban hareket ettirilene kadar anahtarla taban tespit vidalarını gevşetin.
- Tabanı motor gövdesinden bulunan tırnaktan kurtarmak için ileri doğru hafifçe kaydırın.
- İstenen açının tabanda bulunan işaretini motor gövdesinin kenarıyla aynı hizaya getirin.
- İstenen açiya ulaşıldığında, motor gövdesindeki tırnak tabanın arka kısmında bulunan uygun bir çentikle aynı hizada olana kadar tabanı geriye doğru kaydırın.
- Tekerlekli kılavuz tutucusunu kılavuz tekerlek testere bıçağının arkasına karşı olacak şekilde konumlandırın. Hassas kesimler, sadece kılavuz tekerlek testere bıçağının arkasına sıkıca dayandığında yapılabilir.
- Tabanı sabitlemek için anahtarla taban sabitleme vidasını yeniden sıkın.

DALDIRMA BİR KESİM YAPMAK İÇİN

Şekle bakınız 7.

⚠ UYARI

Kontrol kaybını, bıçakların kırılmasını veya kesilecek malzemenin hasar görmesini önlemek için kesimler yaparken daima olağanüstü tedbirler kullanın. Aşap dışındaki malzemelerde daldırma kesimi tavsiye etmiyoruz.

- Kesme çizgisini iş parçasının üzerine belirgin şekilde işaretleyin.
- Kesme açısını 0° olarak ayarlayın.
- Tabanın ön kenarı üzerine dayanacak şekilde testerenizi ileri doğru eğin, testere çalıştırıldığında

Türkçe

bıçak iş parçasıyla temas etmeyecektir.

- Bıçağın kesilecek alanın içinde olmasını sağlayın.
- Yüksek hızı kullanarak testerenizi çalıştırın ve bıçak aşşabı kesene kadar yavaşça iş parçasına indirin.
- Taban üzerinde çalışılan parça gibi düz olana kadar üzerinde çalışılan parçanın içinde bıçağı indirmeyede devam ediniz, daha sonra, kesimi sonlandırmak için testereyi öne doğru itin.
- Bu tip bir kesim işlemi için sadece inç başına 7 dişe sahip bıçaklar kullanın.

METAL KESME

Testerenizle çok çeşitli metaller kesilebilir.

Bıçakları bükmemeye ve eğmemeye özen gösterin. Zımpara aletini kesinlikle bastırmayınız.

Bıçak aşırı derecede gıcırdama sesi çıkarır veya titirse daha ince dişli bir bıçak veya yüksek hız kullanın. Bıçak aşırı şekilde ısırırsa düşük hızı kullanın. Alüminyum gibi yumuşak metalleri keserken bıçak dişlerinin arası dolarsa veya tıkanırsa daha kaba dişli bir bıçak veya düşük hız kullanın. Metalleri keserken bıçakları soğuk tutmak, kesme hareketini artırmak ve bıçak ömrünü uzatmak için yağ kullanılmasını tavsiye ediyoruz. İş parçasını iyice sıkıştırın ve kesilen iş parçasının titremesini yok etmek için sıkıştırma noktasına yakın olarak kesim yapın.

Su borusu, boru veya köşebent demiri keserken mümkünse iş parçasını bir mengeneyle sıkıştırın ve testereyi mengeneyle yakın tutun. İnce saclar kesmek için iki plaka arasında veya kontrol plak ile sıkıştırınız vernalzemenin titremesini veya yırtılmasını önlemek için birlikte kesiniz. Bu malzemenin temiz ve net şekilde kesilmesini sağlayacaktır. Örneğinizi veya kesme çizginizi sandviçin üzerine yerleştirin.

⚠️ Önemli!

Metal keserken, yağlı bir bezle sık aralıklarla silerek testere barının açığa kalan bölümünü temiz ve metal talaşlarından uzak tutun. Olası yangın tehlikesini önlemek için işin tamamlanmasının ardından yağlı alanı elbiselerin atılması konusunda büyük önlemler kullanın.

PARALEL KESİM KILAVUZU

Şekle bakınız 9.

Testerenizle kullanmak üzere bir kenar kılavuzu mevcuttur ve enine ve yarma kesimler için kullanılabilir.

TAKMAK İÇİN:

- Testerenizin fişini prizden çekin.

⚠️ UYARI

Zımpara aleti fişten çekilmemiş ise, istem dışı çalışma meydana gelebilir ve ciddi yaralanmalara sebep olabilir.

- Kenar kılavuzu kolunu testerenizin tabanındaki iki yuvanın içinden geçirin.
- Kenar kılavuzunu istenen genişliğe ayarlayın ve kenar kılavuzu vidasıyla yerine sabitleyin.

⚠️ UYARI

Servis hizmetinde sadece aynı yedek parçaları kullanın. Başka parça kullanmak tehlike yaratabilir ya da hasara neden olabilir.

TOZ ÇEKME SİSTEMİNİ BAĞLAMAK İÇİN (DAHİL DEĞİLDİR)

- Aletin fişini prizden çekin.

⚠️ UYARI

Testere fişten çekilmemiş ise, istem dışı çalışma meydana gelebilir ve ciddi yaralanmalara sebep olabilir.

- Toz toplama sistemi ucunu toz girişine bağlayın.

AKIM VERME GÖSTERGE LAMBASI

Makineniz, alet elektrik kaynağına takıldığında yanan akım göstergesiyle donatılmıştır. Bu, kullanıcıyı aletin elektrige bağlı olduğu ve düğmeye basıldığında çalışacağı konusunda uyarır.

BAKIM

GENEL TALİMATLAR

Diğer tüm parçalar, sınıf II yalıtım sisteminin önemli bir bölümünü temsil eder ve sadece uzman bir servis teknisyeni tarafından bakımı yapılmalıdır.

Plastik parçaları temizlerken çözümleri kullanmaktan kaçının.

Çoğu plastik, piyasada bulunan çözümlere karşı hassastır. Kiri, tozu, yağı ve gres yağını temizlemek için temiz bir bez kullanın.

Türkçe

⚠ UYARI

Fren yağlarını, benzini, petrol esaslı ürünleri, delici yağları, vb plastik parçalara temas edecek şekilde bırakmayınız. Bu kimyasal ürünler, plastiğe zararverecek, bozacak ya da yok edecek maddeler içerir.

Fiberglas botlarda, spor arabalarda, alçıpanlarda veya açılarda kullanıldıklarında elektrikli aletlerin hızlı şekilde aşınmaya ve erken bozulmaya eğimli oldukları bilinmektedir.

Bu malzemelerin talaşları ve zımpara tozları yataklar, fırçalar, komütatörler gibi elektrikli alet parçaları için oldukça aşındırıcıdır. Bu nedenle, bu aletin cam yünü, kaplama panosu, tıkama macun veya alçı üzerinde uzun süre kullanılmaması tavsiye edilmemektedir. Bu malzemeler üzerindeki tüm kullanımların esnasında aletin basınçlı havayla sık aralıklarla temizlenmesi son derece önemlidir.

YAĞLAMA

Normal işleme koşulları için, cihazın tüm yuvaları yüksek kalite yağlarla ömür boyu yağlanmıştır. Buna göre, fazladan yağlama yapılmasına gerek yoktur.

⚠ DİKKAT

Uzatma kablolarını kesim yapılan alandan uzak tutun ve kesme işlemi esnasından iş parçasına veya alete takılmayacak şekilde konumlandırın.

⚠ UYARI

Her kullanımdan önce uzatma kablolarını kontrol edin hasar görmüşse hemen değiştirin. Hasarlı alana dokunmak ciddi yaralanmalarla sonuçlanan elektrik çarpmalarına neden olabileceği için aleti asla hasarlı kabloyla kullanmayın.

Testerenizle kullanımı uygun olan uzatma kablolarını size en yakın servis merkezinden tedarik edebilirsiniz.

⚠ UYARI

Elektrikli aletlerle çalışma veya toz üfleme işlemi esnasında daima yan siperlikleri bulunan koruyucu gözlükler kullanın. İşlem tozlu olursa aynı zamanda bir toz maskesi de kullanın.

ÇEVRENİN KORUNMASI



Ham maddeleri ev çöpleri ile birlikte atmak yerine geri dönüştürün. Çevreyi korumak için, alet, aksesuarlar ve ambalajlar tasnif edilmelidir.

SEMBOL



Güvenlik Uyarısı

V Volt

Hz Hertz

~ Alternatif akım

W Watt

no Bota hız

min⁻¹ Saniyede devir veya hareket sayısı



ağşap maksimum kesim kapasitesi



CE Uygunluğu



Çift yalıtım



Koruyucu kulaklık kullanın



Koruyucu gözlük kullanın



Makineyi çalıştırmadan talimatları dikkatlice okuyun.



Atık elektrikli ürünler evsel atıklarla birlikte atılmamalıdır. Tesis bulunuyorsa lütfen geri dönüşüme verin. Geri dönüşüme ilgili tavsiye için Yerel Makamlarla veya bayi ile irtibat kurun.



- (GB) Conformance to technical regulations
- (FR) Conformité aux normes techniques
- (DE) Konformität mit technischen Vorschriften
- (ES) Conformidad con las normativas técnicas
- (IT) Conforme a norme tecniche
- (NL) Overeenstemming met technische reglementen
- (PT) Conformidade com as normas técnicas
- (DK) CE Overensstemmelse
- (SE) Bär Överensstämmelse med de tekniska reglerna.
- (FI) Teknisten sääntösten noudattaminen
- (NO) Samsvarer med tekniske forskrifter
- (RU) Соответствие техническому регламенту
- (PL) Zgodność z normami technicznymi
- (CZ) Podléhá technickým nařízením
- (HU) Megfelelőség a műszaki előírásoknak
- (RO) Conformitate cu reglementările tehnice
- (LV) Atbilstība tehniskiem noteikumiem
- (LT) Techninių reikalavimų atitikimas
- (EE) Enne seadme kasutamist lugege palun kasutusjuhend hoolega läbi.
- (HR) Sukladno tehničkim propisima
- (SI) Skladnost s tehničnimi predpisi
- (SK) Pred zapnutím zariadenia si prosím prečítajte inštrukcie
- (GR) Συμμόρφωση με τεχνικούς κανονισμούς
- (TR) Teknik yönetmeliklere uyum

GB WARRANTY - STATEMENT

All Ryobi products are guaranteed against manufacturing defects and defective parts for a period of twenty four (24) months from the date stated on the original invoice drawn up by the retailer and given to the end user.

Deterioration caused by normal wear and tear, unauthorised or improper use or maintenance, or overload are excluded from this guarantee as are accessories such as battery packs, light bulbs, blades, fittings, bags, etc. In the event of malfunction during the warranty period, please take the **NON-DISMANTLED** product, along with the proof of purchase, to your retailer or nearest Authorised Ryobi Service Centre.

This warranty in no way affects your legal rights concerning defective products.

FR GARANTIE - CONDITIONS

Ce produit Ryobi est garanti contre les vices de fabrication et les pièces défectueuses pour une durée de vingt-quatre (24) mois, à compter de la date faisant foi sur l'original de la facture établie par le revendeur à l'utilisateur final.

Les détériorations provoquées par l'usure normale, par une utilisation ou un entretien anormal ou non autorisé, ou par une surcharge sont exclues de la présente garantie de même que les accessoires tels que batteries, ampoules, lames, embouts, sacs, etc.

En cas de mauvais fonctionnement au cours de la période de garantie, veuillez envoyer le produit **NON DÉMONTÉ** avec la preuve d'achat à votre fournisseur ou au Centre Service Agréé Ryobi le plus proche de chez vous.

Vos droits légaux se rapportant aux produits défectueux ne sont pas remis en cause par la présente garantie.

DE GARANTIE - BEDINGUNGEN

Für alle Ryobi-Produkte gilt eine Garantie gegen Material- und Verarbeitungsfehler für einen Zeitraum von vierundzwanzig (24) Monaten ab dem Datum der vom Wiederverkäufer für den Endbenutzer ausgestellten Originalrechnung.

Fehler, die auf Grund einer normalen Abnutzung, einer unberechtigten oder falschen Wartung oder Handhabung oder durch eine Überbelastung auftreten, sind von der Garantie ausgeschlossen. Dies gilt auch für Zubehörteile wie Batterien, Glühlampen, Sägeblätter, Ansatzstücke, Beutel usw.

Senden Sie das Produkt im Fall eines Defekts innerhalb des Garantiezeitraumes in **NICHT ZERLEGTEM** Zustand zusammen mit dem Kaufnachweis an Ihren Händler oder Ihr nächstes Ryobi-Kundendienstzentrum zurück.

Diese Garantie hat keine Auswirkungen auf Ihre gesetzlichen Rechte in Bezug auf fehlerhafte Produkte.

ES GARANTÍA - CONDICIONES

Este producto Ryobi está garantizado contra los defectos de fabricación y las piezas defectuosas por un periodo de veinticuatro (24) meses, a partir de la fecha que figura en el original de la factura establecida por el distribuidor al usuario final.

Se excluyen de la presente garantía los deterioros provocados por un desgaste normal, una utilización o mantenimiento incorrecto o no autorizado, y una sobrecarga, así como los diversos accesorios: baterías, bombillas, hojas, puntas, bolsas, etc.

En caso de funcionamiento incorrecto durante el período de la garantía, envíe el producto **SIN DESMONTAR** con la prueba de compra a su proveedor o al Centro de Servicio Acreditado Ryobi más cercano a su domicilio.

Los derechos legales relacionados con los productos defectuosos no son cuestionados por la presente garantía.

IT GARANZIA - CONDIZIONI

Questo prodotto Ryobi è garantito contro tutti i difetti di fabbricazione e pezzi difettosi per una durata di ventiquattro (24) mesi, a partire dalla data indicata sull'originale della fattura compilata dal rivenditore e consegnata all'utente finale.

Il deterioramento provocato dall'usura normale, da un utilizzo o una manutenzione non conformi o non autorizzati, o da un sovraccarico, è escluso dalla presente garanzia. La garanzia è esclusa anche per gli accessori come batterie, lampadine, lame, punte, borse, ecc.

In caso di malfunzionamento nel corso del periodo di garanzia, riportare il prodotto **NON SMONTATO** corredato della prova d'acquisto al fornitore o al più vicino Centro di Assistenza Autorizzato Ryobi.

I diritti legali relativi ai prodotti difettosi non sono rimessi in causa dalla presente garanzia.

NL GARANTIEVOORWAARDEN

Dit Ryobi product is gewaarborgd tegen fabricagefouten en defecte onderdelen gedurende een periode van vierentwintig (24) maanden, te rekenen vanaf de officiële datum op het origineel van de door de wederverkoper aan de eindgebruiker uitgeschreven rekening.

Beschadigingen veroorzaakt door normale slijtage, door abnormaal of ongeoorloofd gebruik of onderhoud, of door overbelasting vallen niet onder deze garantie, evenmin als accu's, lampen, bits, snijbladen, zakken enz.

In geval van slechte werking tijdens de garantieperiode, wordt u verzocht het **NIET GEDEMONTEERDE** product samen met de koopbon aan uw leverancier of aan het dichtstbijzijnde Ryobi servicecentrum te sturen.

Deze garantie doet niet af aan uw wettelijke rechten met betrekking tot defecte producten.

PT GARANTIA - CONDIÇÕES

Este produto Ryobi está garantido contra os vícios de fabrico e as peças defeituosas por um prazo de vinte e quatro (24) meses, a contar da data que faz fé no original da factura emitida pelo vendedor ao utilizador final.

As deteriorações provocadas pelo desgaste normal, por uma utilização ou uma manutenção anormal ou não autorizada, ou por uma sobrecarga ficam excluídas da presente garantia assim como os acessórios tais como baterias, lâmpadas, lâminas, ponteiras, sacos, etc.

No caso de mau funcionamento durante o período de garantia, queira enviar o produto **NÃO DESMONTADO** com a prova de compra ao seu fornecedor ou ao Centro de Serviço Autorizado Ryobi mais próximo.

Os seus direitos legais relativos aos produtos defeituosos não são prejudicados pela presente garantia.

DK GARANTI - REKLAMATIONSRET

Der er reklameretsret på dette Ryobi produkt for fabriktionsfejl og defekte dele i fireogtyve (24) måneder fra gyldighedsdatoen på originalfakturaen udstedt af forhandleren til slutbrugeren.

Skader opstået på grund af almindeligt slid, unormal eller ikke tilladt anvendelse, forkert vedligeholdelse eller overbelastning er ikke dækket af denne reklameretsret, det samme gælder tilbehør som batterier, pærer, klinger, indsatsler, poser osv.

I tilfælde af driftsfejl i garantiperioden skal produktet afleveres **IKKE DEMONTERET** med købebevis til forhandleren eller nærmeste autoriserede Ryobi serviceværksted.

De lovbestemte rettigheder i forbindelse med defekte produkter forringes ikke af denne reklameretsret.

SE GARANTI - VILLKOR

Ryobi garanterar denna produkt mot fabriktionsfel och defekta delar under tjugofyra (24) månader, räknat från det datum som anges på originalfakturan fastställt av återförsäljaren och överlämnad till slutanvändaren.

Denna garanti täcker inte skador som förorsakas av normalt slitage, av normal eller oömlåten användning eller skötsel, eller av överbelastning. Den täcker inte heller tillbehör som batterier, glödlampor, blad, ändstycken, påsar, osv.

I händelse av felaktig funktion medan garantin är i kraft skall produkten sändas **UTAN ATT DEMONTERAS** tillsammans med inköpsbeviset till leverantören eller till närmaste servicecenter som auktoriserats av Ryobi.

De rättigheter som lagen ger i förhållande till defekta produkter ifrågasätts inte av denna garanti.

FI TAKUUEHDOT

Tällä Ryobi-tuotteella on valmistusvial tai vialliset osat kattava vuoden (24 kk) takuu alkuperäiseen ostokäyttöön tai laskuun merkittystä ostopäivästä lähtien.

Takuu ei kata normaalista kulumisesta, epänormaalista tai kielletystä käytöstä tai ylikuormituksesta aiheutuneita vahinkoja eikä lisävarusteita kuten akkuja, polttimoita, teriä, pusseja jne.

Mikäli takuaikaan ilmaantuu toimintahäiriöitä, vie **PURKAMATON** tuote ostotodistuksineen myyjäliikkeeseen tai lähimpään Ryobi-keskushuoltoamoon.

Tämä takuu ei vaikuta viallisia tuotteita koskeviin lakiperusteisiin oikeuksiin.

NO GARANTI - VILKÅR

Dette Ryobi produktet er garantert mot fabriksjonsfeil og defekte deler i tjuogefire (24) månader fra datoen som står på fakturaen utstedt av forhandleren til sluttbrukeren.

Garantien bortfaller dersom skadene er forårsaket av normal slitasje, unormal eller uautorisert bruk, eller overbelastning, og gjelder ikke tilbehør som batterier, lyspærer, blad, bits, poser, osv.

I tilfelle funksjonsfeil under garantiperioden, skal produktet leveres i **UDEMENTERT** tilstand sammen med kjøpsbeviset til forhandler eller til nærmeste autoriserte Ryobi servicesenter.

Dine lovmessige rettigheter med hensyn til defekte produkter er ikke påvirket av denne garantien.

RU ГАРАНТИЯ - УСЛОВИЯ

Настоящая продукция RYOBI гарантирована от дефектов производства и дефектов изделий на 2 года со дня официального оформления покупки, указанного на оригинале счета, выписанного продавцом покупателю.

Повреждения, полученные в результате обычного износа, ненормального или запрещенного использования или обслуживания, а также перегрузкой, — не покрываются настоящей гарантией, также как и аксессуары, такие как батареи, лампочки, цокли, патроны, мешки и т.д.

В случае поломки или неисправности в гарантийный период отнесите продукцию **НЕРАЗОБРАННОЙ** с подтверждением покупки Вашему продавцу или в ближайший Центр Технического Обслуживания Ryobi.

Настоящая гарантия не влияет на Ваши законные права, по отношению к дефектной продукции.

PL WARUNKI GWARANCJI

Na niniejszy produkt Ryobi udzielona jest dwuletnia gwarancja na ukryte wady fabryczne oraz na zdeformowane części. Okres gwarancji dwudziestu czterech (24) miesięcy, zaczyna się od wiążącej daty widniejącej na oryginalne faktury wystawionej przez sprzedawcę dla ostatecznego nabywcy.

Gwarancja ta nie obejmuje zniszczenia wynikającego z normalnego zużycia, czy też uszkodzeń spowodowanych nadmierną eksploatacją, lub niewłaściwą konserwacją, czy nieodpowiednim użytkowaniem niezgodnym z przeznaczeniem. Wyłączone są z niej również akcesoria tj. akumulatory, żarówki, ostrza, końcówki, worki, itd.

W wypadku stwierdzenia złego funkcjonowania podczas okresu gwarancyjnego, prosimy o skierowanie **NIE ZDEMENTOWANEGO** produktu, wraz z dowodem zakupu do zwrotu dostawcy lub do najbliższego Autoryzowanego Punktu Serwisowego Ryobi.

Niniejsza gwarancja nie podważa przysługujących Państwu uprawnień dotyczących wadliwych produktów.

CZ ZÁRUKA - ZÁRUČNÍ PODMÍNKY

Na tento výrobek značky Ryobi se poskytuje záruka po dobu 24 (dvaceti čtyř) měsíců od data uvedeno na faktúře nebo pokladním bloku, který koncový uživatel obdržel v prodejně při nákupu výrobku. Záruka se vztahuje na výrobní vady a vadné díly.

Záruka se nevztahuje na poškození výrobku způsobené jeho běžným opotřebením, nesprávným nebo neschváleným použitím, nesprávnou údržbou nebo přetížením. Uvedené záruční podmínky se nevztahují na příslušenství, jako akumulátory, žárovky, pilové listy, nástavce, vaky apod.

V případě provozních problémů u výrobku v záruce kontaktujte nejbližší autorizovanou servisní opravnu výrobků Ryobi. K opravě je nutné předložit **NEDEMENTOVANÝ** výrobek spolu s fakturou nebo pokladním blokem.

Tato záruka nevylučuje případná další Vaše spotřebitelská práva týkající se výrobních závad, v souladu s platnými legislativními předpisy.

HU GARANCIA FELTÉTELEI

Ezt a Ryobi termékét huszonegy (24) hónapig garanzáljuk a gyártáshibák, valamint a készülékben található alkatrészek miatt jelentkező meghibásodás ellen. A garancia az eladó által, a vásárló számára készített, eredeti adás-vételről szerződésben feltüntetett dátumtól érvényes.

A normális igénybevételből fakadó elhasználódás, a nem rendeltetésnek megfelelő használat vagy karbantartási művelet miatt fellépő, túlterhelés által okozott meghibásodásra nem terjed ki a garancia. A tartozékokra, mint például az akkumulátorra, izzókra, fűrészfejekre, tászkára, stb., a garancia szintén nem vonatkozik.

A garancia periódus alatt fellépő meghibásodás esetén, juttassa el **NEM SZÉTSZERELT ÁLLAPOTBAN** a Ryobi terméket a vásárlást és annak dátumát igazoló dokumentum kíséretében az eladóhoz vagy az Önhez legközelebbi Ryobi Szerviz Központba.

A jelen garancia nem zárja ki a fogyasztási eszközökre vonatkozó jogszabályok által elrendelteteket.

RO GARANȚIE - CONDIȚII

Acest produs Ryobi este garantat în cazul viciilor de fabricație și pieselor cu defecte pentru o durată de douăzecișipatru (24) de luni, începând cu data facturii originale emisă de către comerciantul utilizatorului final.

Deteriorările provocate prin uzură normală, printr-o utilizare sau întreținere anormală sau neautorizată, sau prin fortarea utilajului sunt excluse din prezenta garanție acestea aplicându-se și accesoriilor ca baterii, becuri, lame, capete, saci, etc.

În caz de funcționare defectuoasă în perioada de garanție, vă rugăm să trimiteți produsul **NEDEMENTAT** împreună cu factura de cumpărare furnizorului dumneavoastră sau la Centrul Service Acreditat Ryobi cel mai apropiat de dumneavoastră.

Drepturile dumneavoastră legale privind produsele defectuoase nu sunt alterate prin prezenta garanție.

LV GARANTIJAS PAZIŅOJUMS

Šī produkta izejmateriālu un ražošanas defektus divdesmit četrus (24) mēnešus sedz garantija, kas stājas spēkā no rēķina vai piegādes dokumenta izrakstīšanas datuma.

Normālas nolietošanas, nepilnvarotas/nepareizas apkopes/apiešanās vai pāršļodzes radītos defektus garantija nesedz; garantija neattiecas arī uz akumulatoriem, spuldzēm, asmeņiem, kalliem utt.

Ja garantijas perioda laikā radusies kļūme, atgrieziet **NEIZJAUKTU** produktu ar iegādātiem dokumentiem savam dēlīnim vai tuvākajā Ryobi servisa centrā.

Garantija neskar ar likumu noteiktās tiesības attiecībā uz defektiem produktiem.

LT GARANTINIS PAREIŠKIMAS

Garantuojame, kad šiame prietaise 24 mėnesius, pradėdant nuo pirmojo pirkimo ar pristatymo datos, nurodytos ant kvito, nebus medžiagų ir gamybos defektų.

Defektai dėl įprasto naudojimo ir nusidėvėjimo, netinkamo ir neleistino naudojimo ir priežiūros ar perkrovų į garantijos apimtį neįeina. Taip pat garantija neteikiama tokiems priedams kaip baterijos, lempučių, antgaliai ir pan.

Gedimo atveju garantiniui laikotarpiu **NEIŠARDYTA** prietaisą su pirkimo datos įrodymu grąžinkite pardavėjui arba į artimiausią „Ryobi“ techninio aptarnavimo centrą.

Jūsų statutinės teisės gedimų turinčių produktų atžvilgiu garantijos nėra apribojamos.

EE GARANTIIAVALDUS

Ryobi garanteerib, et tootel ei ilmne materjalidefekte ega t otlemisvigu kahek umne nelja (24) kuu jooksul alates originaalarve v i saatelehe v ljaandmise kuup evast.

Defektid, mis on p ohjustatud loomulikust kulumisest, volitamata ja v aaraast hooldamisest v i k asitsemisest v i  lekoormamisest, ei ole k esoleva garantiikohustusega kaetud. Garantii ei laiene akudele, pirnidele, l iketeradele, otsakutele ja muudele tarvikutele.

Kui garantiperioodi ajal ilmneb rike, siis palun tuua toode LAHTIMONTEERIMATA KUJUL koos ostudokumentiga oma edasim ijajale v i Ryobi hooldusettev ttesse.

Teie seadusj rgsed  igused rikkis toote suhtes j avad garantii poolt m ojustamata.

HR UVJETI GARANCIJE

Ovaj Ryobi proizvod je pod garancijom za sve nedostatke unutar dvadeset i  etiri (24) mjeseca od datuma koji se nalazi na originalnom ra unu koji je prodava  izdao krajnjem korisniku.

Oštećenja uzrokovana normalnom uporabom, neprikladnim ili nedozvoljenim korištenjem ili odr zavanjem ili pak prevelikim opterećenjem nisu uklju ena u ovu garanciju, kao ni dodaci poput baterija,  arulja, no eva, vrhova, torbi itd.

U slu aju da tijekom garancijskog razdoblja alat radi neispravno, proizvod koji **NISTE RASTAVLJALI** zajedno s dokazom o kupnji po aljite vašem dobavlja u ili najbli em Ovlaštenom Ryobi servisu. Vaša prava koja se odnose na neispravne proizvode ovom se garancijom ne dovode u pitanje.

SI GARANCIJSKA IZJAVA

Vsi izdelki znamke Ryobi imajo garancijo za napake v izdelavi in neustrezne sestavne dele za obdobje 24-ih mesecev od datuma, ki je naveden na originalnem ra unu, ki ga je prodajalec izdal kon nemu uporabniku.

Staranje, ki ga povzro a običajna raba in obraba izdelka, njegova nepooblaš ena ali neustrezna uporaba ali vzdr evanje, ali preobremenitev, je izvzeto iz te garancije. Enako velja tudi za dodatno opremo kot so baterijski vliokli,  arnice, rezila, pribor, vre ke, ipd.

 e pride v garancijskem roku do napake v delovanju izdelka, vas prosimo, da ga **NERAZSTAVLJENEGA**, skupaj z dokazilom o nakupu, odnesete va emu prodajalcu ali v najbli ji Ryobi servisni center.

Ta garancija nikakor ne vpliva na va e pravice, ki vam jih v zvezi z neustreznimi izdelki daje zakon.

SK Z RUKA –PREHL SENIE

Tento produkt prichádza so z rukou na chyby v materi ali a spracovan  v dĺ ke 24 mesiacov od d tumu k py, alebo dodania.

Chyby s bnesen  normaln m opotrebovan m, nedovolenou / nespr vnou  dr bou / nar ban m, alebo pre a en m, s  z tejto z ruky vyl u en  podobne ako prislu enstvo ako bat rieov  články,  epele a hrotov atď.

V pr pade poruchy v období z ruky, prinesite prosim **NEROZOBRAVN ** s dokladom o k pe va mu predajcovi, alebo do najbli šieho servisn ho centra Ryobi.

Va e z konn  pr va ohladom po koden ho v robku nie s  ovplyvnen  touto z rukou.

GR OPOI EΓΓΥΗΣΗ

Aut  to pr oion Ryobi f erei eγγ ηση kat  twn kataσκευαστικ wn elattwmat wn kai twn elattwmatik wn tmhm twn gia mia di r kcia eikostees s rwn (24) mw wn, ap  twn hmeromn ia pou αναφ ρειται sto prwtot pou tou tmwlolougiou pou kataρt st tke ap  ton metapwll t  gi  ton telik  chr st .

Oi φυσiolογικ s f bor s   ekειν s pou tha proklytho n ap  mi f suiolογικ    mi epitretit  chr s    συνt ρηση,   ap  υπερφορτισ  den kal ptontai ap  twn parous  eγγ s s kaqw s kai ta εξαρt mat  opw s mpatari s, l mptes, m t s, saok ules kλπ.

Σ  p rπτωση κακ s λειτουργ as kat  twn per odo eγγ s s, παρακαλε τε να απευθ νετε το pr oion ΧΩΡΙΣ ΝΑ ΤΟ ΑΝΟΙΞΕΤΕ, με την απ δειξη αγορ s, στον προμηθευt  σας   στο κοντιν τερο Κ ντρο Τεχνικ s Εξυπηρ ησης Ryobi.

Τα ν μια δικαι mat  σας που αφορο n στα elattwmatik  pr oionta den amfισβ t nται ap  twn parous  eγγ s s.

TR GARANT  -  ARTLAR

Bu Ryobi  r n ,  retim hatalarına ve kusurlu par alara kar i satıcı tarafından sunu kullanicıya verilmiş olan orijinal fatura tarihinden itibaren yirmi d rt (24) ay boyunca garantilidir.

Normal kullanım sonucunda yıpranmalar, anormal ya da izin verilmeyen kullanım ya da bakım, ya da a ırı y klenme ve ayrıca bataryalar, ampuller, bı aklar, rakorlar, torbalar gibi aksesuarlar s zkonusu garantinin dı ındadır. Garant  d nemi s resinde meydana gelen bir arıza durumunda,  r n  **S KMEDEN** satınalma belgesi ile yetkili satıcınıza ya da size en yakın Ryobi Yetkili Servis Merkezine g nderiniz. Bu garant , defolu mallara ili kin yasal haklarınıza hi bir şekilde etkilmez.

(GB) WARNING

The vibration emission level given in this information sheet has been measured in accordance with a standardised test given in EN 60745 and may be used to compare one tool with another. It may be used for a preliminary assessment of exposure. The declared vibration emission level represents the main applications of the tool. However if the tool is used for different applications, with different accessories or poorly maintained, the vibration emission may differ. This may significantly increase the exposure level over the total working period.

An estimation of the level of exposure to vibration should also take into account the times when the tool is switched off or when it is running but not actually doing the job. This may significantly reduce the exposure level over the total working period. Identify additional safety measures to protect the operator from the effects of vibration such as: maintain the tool and the accessories, keep the hands warm, organisation of work patterns.

(FR) AVERTISSEMENT

Le niveau d'émission des vibrations indiqué dans cette feuille d'information a été mesuré en concordance avec un test normalisé fourni par EN60745 et peut être utilisé pour comparer un outil à un autre. Il peut être utilisé pour une évaluation préliminaire de l'exposition. Le niveau déclaré d'émission des vibrations s'applique à l'utilisation principale de l'outil. Toutefois, si l'outil est utilisé pour des applications différentes, avec des accessoires différents, ou mal entretenu, l'émission de vibrations peut être différente. Le niveau d'exposition peut en être augmenté de façon significative tout au long de la période de travail.

Une estimation du niveau d'exposition aux vibrations doit aussi prendre en compte les périodes où l'outil est arrêté ainsi que les périodes où il fonctionne sans vraiment travailler. Le niveau d'exposition pendant la durée totale du travail peut en être réduit de façon significative. Prenez en considération les mesures additionnelles de sécurité à prendre pour protéger l'opérateur des effets des vibrations telles que: maintien de l'outil et de ses accessoires, maintien des mains au chaud, organisation du travail.

(DE) WARNUNG

Der in diesem Informationsblatt genannte Schwingungspegel wurde entsprechend dem standardisierten Test von EN60745 gemessen und kann benutzt werden um das Werkzeug mit anderen zu vergleichen. Er kann benutzt werden, um eine vorausgehende Einschätzung der Exposition durchzuführen. Der genannte Schwingungspegel repräsentiert den Haupteinsatzbereich des Werkzeugs. Jedoch kann das Werkzeug für verschiedene Einsatzbereiche benutzt werden. Mit unterschiedlichen Zusatzgeräten oder bei schlechter Wartung kann der Schwingungspegel unterschiedlich sein. Dadurch kann die Expositionshöhe über die gesamte Arbeitszeit signifikant erhöht werden.

Eine Einschätzung der Exposition zu Schwingungen sollte auch die Zeiten wenn das Werkzeug ausgeschaltet ist, oder wenn es angeschaltet aber nicht in Betrieb ist, in Betracht ziehen. Dadurch kann die Expositionshöhe über die gesamte Arbeitszeit signifikant reduziert werden. Identifizieren Sie zusätzliche Sicherheitsmaßnahmen um die Bedienungsperson vor den Effekten der Schwingungen zu schützen, wie zum Beispiel: Das Werkzeug und Zusatzgeräte warten, Hände warmhalten und Organisation der Arbeitszeiten.

(ES) ADVERTENCIA

El nivel de emisión de las vibraciones que figura en esta hoja de información se ha medido según una prueba estandarizada que figura en EN60745 y puede ser utilizado para comparar una herramienta con otra. Puede ser utilizado para una evaluación preliminar de la exposición. El nivel de emisión de las vibraciones declarado representa las principales aplicaciones de la herramienta. No obstante, si la herramienta se utiliza para diferentes aplicaciones, con diferentes accesorios o no recibe el mantenimiento adecuado, la emisión de las vibraciones puede ser diferente. Esto puede aumentar significativamente el nivel de exposición durante el periodo de trabajo total.

Una estimación del nivel de exposición a la vibración también debe tener en cuenta el tiempo en el que la herramienta está desconectada o cuando está conectada pero no está realizando ningún trabajo. Esto puede reducir significativamente el nivel de exposición durante el periodo de trabajo total. Identificar las medidas de seguridad adicionales para proteger al operador de los efectos de las vibraciones, tales como: mantenimiento de la herramienta y de los accesorios, y la organización de los patrones de trabajo.

(IT) AVVERTENZE

Il livello di vibrazioni indicato in questo foglio informativo è stato misurato seguendo un test svolto secondo i requisiti indicati dallo standard EN60745 e potrà essere utilizzato per paragonare un utensile con un altro. Potrà essere utilizzato per una valutazione preliminare dell'esposizione a vibrazioni. Il livello dichiarato di emissioni di vibrazioni viene indicato tenendo conto delle applicazioni principali dell'utensile. Comunque se l'utensile viene utilizzato per applicazioni diverse con accessori diversi o non viene correttamente conservato, il livello delle vibrazioni potrà variare. Ciò potrà significativamente aumentare il livello di esposizione alle vibrazioni durante il periodo di lavoro totale.

Una valutazione del livello di esposizione alle vibrazioni dovrà inoltre prendere in considerazione i tempi in cui l'utensile viene spento o è acceso ma non viene utilizzato. Ciò potrà significativamente ridurre il livello di esposizione in un periodo totale di funzionamento. Ulteriori misure di sicurezza per proteggere l'operatore dagli effetti delle vibrazioni come: conservare correttamente l'utensile e i suoi accessori, tenere le mani calde e organizzare i tempi di lavoro.

(NL) WAARSCHUWING

Het trillingsemissieniveau dat op dit informatieblad wordt gegeven, is gemeten in overeenstemming met een gestandaardiseerde test, vastgelegd in EN60745 en mag worden gebruikt om machines met elkaar te vergelijken. Het verklaarde trillingsemissieniveau geeft de hoofdtoepassing van het gereedschap weer. Als de machine echter voor andere toepassingen of met andere accessoires wordt gebruikt of slecht wordt onderhouden, kan de trillingsemissie verschillen. Dit kan de blootstelling gedurende de gehele werkduur aanzienlijk verhogen.

Bij een schatting van het niveau van blootstelling aan trillingen moet ook rekening worden gehouden met het aantal keren dat de machine wordt uitgeschakeld of draait, maar niet wordt gebruikt. Dit kan het niveau van blootstelling gedurende de gehele werkduur aanzienlijk verlagen. Stel bijkomende veiligheidsmaatregelen op om de gebruiker tegen de gevolgen van trillingen te beschermen: zoals onderhoud het gereedschap en de accessoires, houd de handen warm, de organisatie van werkpatronen.

(PT) AVISO

O nível de emissão de vibrações fornecido nesta folha de informações foi medido em conformidade com o teste uniformizado descrito em EN60745 e pode ser usado para comparar uma ferramenta com outra. Este pode ser usado para uma avaliação preliminar da exposição. O nível de emissão de vibração declarado refere-se à aplicação principal da ferramenta. Contudo, se a ferramenta for usada para aplicações diferentes, com acessórios diferentes ou não for devidamente mantida, a emissão de vibrações pode diferir. Isto pode fazer aumentar significativamente o nível de exposição ao longo do período de trabalho total.

Uma estimativa do nível de exposição às vibrações deve ter, também, em consideração o tempo durante o qual a ferramenta está desligada ou em que está ligada mas não está a realizar qualquer trabalho. Isto pode reduzir significativamente o nível de exposição durante o período total de trabalho. Identifique medidas adicionais de segurança que protejam o operário dos efeitos da vibração como a manutenção da ferramenta e dos acessórios, a manutenção das mãos quentes e a organização de padrões de trabalho.

(DK) ADVARSEL

Det angivne niveau for vibrationsemission på denne oplysningside er blevet målt iht. en standardtest ifølge EN60745 og kan bruges til at sammenligne værktøjer indbyrdes. Det kan bruges til en foreløbig eksponeringsvurdering. Det opgivne niveau for vibrationsemission gælder, når værktøjet bruges til sit hovedformål. Men hvis værktøjet bruges til andre formål, med forskelligt eller med dårligt vedligeholdt ekstraudstyr, kan vibrationsemissionen variere. Dette kan medføre en betragtelig stigning i eksponeringsniveauet set over hele arbejdsperioden.

Et skøn over niveauet for vibrationseksponering bør også tage højde for de perioder, hvor værktøjet er slukket, eller hvor det er tændt uden faktisk at være i brug. Dette kan medføre en betragtelig reduktion i eksponeringsniveauet set over hele arbejdsperioden. Træf ekstra sikkerhedsforanstaltninger til beskyttelse af operatøren mod virkningerne fra vibrationen som fx: vedligeholdelse værktøjet og ekstraudstyr, holde hænderne varme, organisere arbejdsmentre.

SE**VARNING**

Vibrationsnivåerna som uppges i det här dokumentet har uppmått i enlighet med ett standardiserat test som beskrivs i EN60745 och som kan användas för att jämföra verktyg. Det kan användas som en preliminär bedömning av den vibration som användaren utsätts för. De deklarerade vibrationsvärdena motsvarar de som uppstår när verktyget används i sitt huvudsyfte. Om verktyget används i andra syften, med andra tillbehör eller om verktyget är dåligt underhållet kan vibrationsnivåerna vara anorlundade. Det kan kraftigt öka vibrationsnivåerna över den totala arbetsperioden.

En uppskattning av vibrationsnivåerna som användaren utsätts för ska också ta hänsyn till de stunder då verktyget är avstängt och när det går på tomgång. Detta kan kraftigt minska vibrationsnivåerna över den totala arbetsperioden. Andra säkerhetsåtgärder som kan skydda användaren från effekterna av vibrationer är: underhållning av verktyget och tillbehören, hålla händerna varma och organisera arbetssättet.

FI**VAROITUS**

Tämän liidettiin tärinätoa on mitattu EN60745-standardien mukaisilla testeillä, ja niitä voidaan käyttää verrattaessa laitteita toiseen. Sitä voidaan käyttää arvioitaessa tärinävaikutusta. Ilmoitettu tärinäto vastaa laitteen pääasiallista käyttötarkoitusta. Jos laitteita kuitenkin käytetään muuhun tarkoitukseen, muilla lisälaitteilla tai huonosti huollettuina, tärinäto saattaa poiketa ilmoitetusta arvosta. Tämä voi kasvatata kokonaisaltistumista huomattavasti koko työjakson kuluessa.

Tärinän altistumistasoa arvioitakseena tulee huomioida ajat, jolloin laite on sammutettu tai kun se on käynnissä, mutta sitä ei käytetä varsinaiseen työskentelemiseen. Tämä voi vähentää kokonaisaltistumista huomattavasti koko työjakson kuluessa. Käytä muitakin suojauskeinoja turvataksesi käyttäjän tärinävaikutukselta, kuten: huolla laite ja lisälaitteet, pidä kätesi lämpimänä, organisoi työsi kulkua.

NO**ADVARSEL**

Nivået på vibrasjonsutsnittet som oppgis på dette informasjonsarket er målt i henhold til en standardisert test gitt i EN60745 og kan brukes til å sammenligne ett verktøy med et annet. Det kan brukes til en foreløpig vurdering av eksponering. Det erklærte nivået på vibrasjonsutslipp representerer hovedanvendelsen for verktøyet. Dersom verktøyet brukes for andre anvendelser, med forskjellig tilbehør eller med dårlig vedlikehold, vil vibrasjonsutslippet kunne være annerledes. Det kan gi en betydelig økning av eksponeringsnivået over den totale arbeidsperioden.

En beregning av nivået for eksponering til vibrasjoner må også ta hensyn til den tiden verktøyet er slått av eller er i gang men ikke i faktisk bruk for å utføre den tiltenkte oppgaven. Dette kan gi en betydelig økning av eksponeringsnivået over den totale arbeidsperioden. Identifiser ytterligere sikkerhetstiltak for å beskytte den som bruker verktøyet fra virkningen av vibrasjoner, tiltak som: Vedlikehold verktøyet og tilbehøret, hold hendene varme, organiser arbeidsmetodene.

RU**ОСТОРОЖНО!**

Уровень вибрации, приведенный в данном справочном листе, измерен согласно стандартизованным испытаниям, определенным в EN60745 и может использоваться для сравнения различных инструментов. Значение уровня может использоваться для предварительной оценки влияния вибрации. Заявленный уровень вибрации действителен для основного применения инструмента. Однако, если инструмент используется для других целей, с другими приспособлениями, или плохо обслуживается, уровень вибрации может отличаться от указанного. Это может значительно увеличить величину воздействия за общее время работы.

При оценке уровня воздействия вибрации следует также принять во внимание время простоя и холостой ход (когда инструмент выключен и когда включен, но работа не производится). Эти факторы могут значительно уменьшить величину воздействия вибрации за общее время работы. Определите дополнительные меры безопасности, защищающие работающего от влияния вибрации: техническое обслуживание инструмента и принадлежностей, недопущение охлаждения рук, соответствующие приемы и распорядок работы.

PL**OSTRZEŻENIE**

Deklarowany poziom drgań został zmierzony za pomocą standardowej metody pomiaru określonej normą EN60745 i jego wyniki mogą służyć do porównywania tego urządzenia z innymi. Deklarowana wartość drgań może służyć do wstępnej oceny narażenia operatora na drgania. Deklarowany poziom drgań dotyczy podstawowych zastosowań urządzenia. Jednak w przypadku użycia urządzenia do innych zastosowań, z innymi przystawkami lub w przypadku niewłaściwego stanu technicznego urządzenia poziom drgań może odbiegać od deklarowanego. Może być to przyczyną zwiększenia stopnia narażenia operatora na drgania w całym okresie wykonywania pracy.

Podczas oceny narażenia na drgania należy również uwzględnić czas wyłączenia urządzenia oraz czas, w którym urządzenie jest włączone, jednak praca nie jest wykonywana. Czasy te mogą znacznie zmniejszyć stopień narażenia operatora na drgania w całym okresie wykonywania pracy. Należy określić dodatkowe środki ochrony operatora przed skutkami drgań, przykładowo: dbać o stan techniczny urządzenia i przystawek, dbać o zachowanie ciepłoty dłoni, odpowiednio zorganizować harmonogram wykonywania pracy.

CZ**VAROVÁNÍ**

Hodnota vibračních emisí uvedená v tomto informačním listu byla naměřena standardizovaným testem podle EN60745 a ji použít k porovnání s hodnotami jiných nástrojů. Může se používat k předběžnému odhadu vystavování vibračím. Uznaná hodnota vibračních emisí reprezentuje hlavní použití nástroje. Nicméně pokud se nástroj používá pro jiné použití, s různými doplňky nebo se nedostatečně neudržuje, mohou se vibrační emise lišit. Toto může výrazně zvýšit úroveň vystavení nad celkové pracovní období.

Odhad úrovně vystavení vibračím by měl vzít také v potaz čas, kdy je chvění vypnuté, nebo když přístroj běží, ale nevykonává práci. Toto může výrazně snížit úroveň vystavení nad celkové pracovní období. Určete doplňující bezpečnostní opatření pro ochranu obsluhy před různými vibračím, například: Udržujte nástroj a doplňky, udržujte ruce v teple, organizujte pracovní schéma.

HU**FIGYELMEZTETÉS**

A vibráció-kibocsátás adatlapon megadott értéke az EN60745 által meghatározott szabványosított mérési eljárás szerint lett megmértve, ami lehetővé teszi a különböző szerzők között összehasonlítását. Használható a kitetséggel előzetes felmérésére is. A nyilatkozatban szereplő kibocsátási érték a szerzőm főbb alkalmazási területeire vonatkozik. Ugyanakkor, ha a szerzőm más alkalmazásokra, más kiegészítőkkel használják vagy rosszul tartják karban, a vibráció-kibocsátás értéke ettől eltérő is lehet. Ez jelentősen növelheti a kitetséggel érintett gép teljes használati időtartama során.

A vibrációnak való kitetséggel szintjének becslésekor figyelembe kell venni azokat az időintervallumokat is, amikor a szerzőm ki van kapcsolva, vagy működik, de nem végeznek munkát vele. Ez jelentősen csökkentheti a kitetséggel szintjét a gép teljes használati időtartama során. Tegyén további óvintézkedéseket a kezelő vibrációjával szembeni megvédése érdekében: tartsa karban a szerzőmöt és a tartozékokat, tartsa melegben a kezét, tervezze meg a munkafolyamatot.

RO**AVERTISMENT**

Nivelul emisiilor de vibrații prezentat în cadrul acestei fișe cu furnizat și fost măsurat în conformitate cu un test standardizat furnizat în EN60745 și poate fi folosit la a compara o uneltă cu o alta. Poate fi folosit la o evaluare preliminară a expunerii. Nivelul declarat al emisiilor de vibrații reprezintă aplicațiile principale ale uneltei. Cu toate acestea, în cazul în care uneltă este utilizată pentru aplicații diferite, cu accesorii diferite sau întreținute necorespunzător, emisiile de vibrații pot diferi. Acestea pot crește semnificativ nivelul de expunere pe întreaga perioadă de lucru.

O estimare a nivelului de expunere la vibrații trebuie, de asemenea, să țină cont de tălile în care uneltă este oprită sau de tălile în care aceasta funcționează fără a efectua propriu-zis sarcina de lucru. Acestea pot reduce semnificativ nivelul de expunere pe întreaga perioadă de lucru. Identificați măsuri de siguranță suplimentare pentru a proteja operatorul de efectele vibrațiilor, precum: întreținerea uneltei și a accesoriilor, păstrarea mâinilor calde, organizarea de modele de lucru.

LV

BRĪDĪNĀJUMS

Šajā datu lapā dotā vibrāciju emisijas vērtība ir mērta saskaņā ar standartizēto testu, kas dots EN60745 un kuru var izmantot, lai salīdzinātu vienu instrumentu ar citu. To var izmantot aptuvenam ekspozīcijas novērtējumam. Deklarētais vibrāciju emisijas līmenis atbilst galvenajiem instrumenta pielietojumiem. Tomēr, ja instrumentu lieto citiem pielietojumiem, ar citiem piederumiem vai tas tiek slēgti apkopts, vibrāciju emisijas vērtība var atšķirties. Tas var ievērojami palielināt ekspozīcijas līmeni visā darbības periodā.

Vibrāciju ekspozīcijas līmeņa novērtējumam jāņem vērā laiks, kad instrumenti ir izslēgti vai ir ieslēgti, bet nevienc kadu darbu. Tas var ievērojami samazināt ekspozīcijas līmeni visā darba periodā. Identificējiet papildu drošības pasākumus, lai aizsargātu operatoru no vibrāciju iedarbības, piemēram, veiciet instrumenta un piederumu apkopi, turiet rokas siltas un pielāgojiet darba grafiku.

LT

ISPĒJĪMAS

Šīmae lape nurodytas vibrācijas emisijos lygis buvo išmatuotas pagal standartinį testą, aprašytą EN60745, ir gali būti naudojamas vieno įrankio su kitu palyginimui. Jis gali būti naudojamas preliminariam pavojaus įvertinimui. Deklaruotasis vibracijos emisijos lygis priskiriamas pagrindiniams įrankio taikymo srityms. Tačiau, jei įrankis naudojamas kitems tikslams, su kitokiais priedais ar įrankis prastai prižiūrimas, vibracijos emisija gali skirtis. Per visą darbo laikotarpį tai gali žymiai padidinti vibracijos keliamą pavojų.

Nustatant vibracijos keliamą pavojų taip pat būtina atsižvelgti į tai, kiek kartų įrankis yra išjungtas ar kai jis veikia, bet juo iš tikrųjų nedirbama. Per visą darbo laikotarpį tai gali žymiai sumažinti vibracijos keliamą pavojų. Naudokite papildomas apsaugos priemones dirbančiam asmeniui apsaugoti nuo vibracijos poveikio, pvz.: prižiūrėti įrankį ir jo priedus, rankas laikyti šiltai, organizuoti darbo sesijas.

EE

HOIATUS

Sellei infohelhet esitatud vibratsioonitaseme väärtus on mõõdetud standardis EN60745 kirjeldatud katsemetoodiga ja seda võib kasutada tööriistade omavaheliseks võrdlemiseks. Järgi võib kasutada vibratsioonimõju eelhindamiseks. Deklareeritud vibratsioonitaseme väärtus kehtib tööriista tavakasutamisel. Kui aga kasutate tööriista muudeks kasutusotstarveteks, eriotstarbeliste tarvikutega või kui tööriist on puudulikult hooldatud, siis võib vibratsiooniväärtus erineda. Sellistel juhtudel võib tööperioodi summaarne vibratsioonitaseme suurendada märgatavalt.

Vibratsiooniväärtuse taset tuleb arvesse võtta ka sel ajal, kui tööriist on välja lülitatud või kui tööriist tööle, kuid ei tee tööoperatsiooni. Sellistel juhtudel võib tööperioodi ajal summaarne vibratsioonitaseme väheneda märgatavalt. Määrake kindlaks täiendavad ohutusmeetmed, et kaitsa operaatorit vibratsioonimõjude eest – tööriistade ja tarvikute hooldamine, kätte soojas hoidmine ja töövahetuste organiseerimine.

HR

UPOZORENJE

Razina vrijednosti vibracija data u ovoj tablici s informacijama mjerenja je sukladno normiranom testu pruzenom u EN60745 i može se koristiti za usporedbu jednog alata s drugim. Može se koristiti u početnom usklađivanju izloženosti. Objavljena razina vrijednosti vibracija predstavlja glavnu primjenu alata. Međutim, ako se alat koristi za druge primjene, s različitim dodatnim priborom ili je slabo održavan, vrijednost vibracija može se razlikovati. Ovo može značajno povećati razinu izloženosti tijekom ukupnog radnog razdoblja.

U procjeni razine izloženosti na vibraciju također treba uzeti u obzir vrijeme kada je alat isključen ili kada je pokrenut no ne i stvarno vrijeme rada. Ovo može značajno smanjiti razinu izloženosti tijekom ukupnog radnog razdoblja. Odredite dodatne sigurnosne mjere za zaštitu operatera od učinaka vibracije poput: održavanje alata i pribora, održavanje toplih ruku, organizacija obrabazca za rad.

SI

OPOZORILO

Nivo emisij vibraciji, naveden v tem informacijskem listu, je bil izmerjen v skladu s standardiziranimi testom, ki je podan v EN60745, podatek pa se lahko uporablja za primerjavo enega orodja z drugim. Uporablja se ga lahko za predhodno oceno izpostavljenosti. Navedeni nivo emisij vibraciji predstavlja glavne uporabe orodja. Vendar, če se orodje uporablja v druge namene in z različnimi nastavki oz. če je orodje slabo vzdrževano, se lahko emisije vibracij razlikujejo. To lahko občutno poveča nivo izpostavljenosti v skupnem delovnem času.

Ocena nivoja izpostavljenosti vibracijam bi morala prav tako upoštevati, koliko krat je orodje bilo izključeno ali je v delovanju in pravzaprav ne opravlja svojega dela. To lahko občutno zmanjša nivo izpostavljenosti v skupnem delovnem času. Upoštevajte dodatne varnostne ukrepe, da bi upravljavca zaščitili pred vplivom vibraciji, kot je: vzdržujte orodje in nastavke, pazite, da so roke tople, organizirajte delovne vzorce.

SK

VAROVANIE

Uroveň emisie vibrácií, uvedená v tomto informačnom hárku bola nameraná v súlade so štandardizovaným testom, daný normou EN60745 a môže sa použiť na porovnanie jedného nástroja s druhým. Môže sa použiť na predbežné určenie miery vystavenia sa vibráciám. Uvedená úroveň emisie vibrácií predstavuje hlavnú aplikáciu nástroja. Avšak keď sa nástroj používa na iné aplikácie, s rôznym príslušenstvom alebo má zvlášť údržbu, úroveň vibrácií sa môže líšiť. Týmto sa môže výrazne zvýšiť úroveň vystavenia sa vibráciám počas celkového času práce.

Odhad úrovne vystavenia sa vibráciám by sa mal brať tiež do úvahy, vždy, keď sa nástroj vypne, alebo potom, keď beží ale v skutočnosti sa nevykonáva práca. Týmto sa môže výrazne znížiť úroveň vystavenia sa vibráciám počas celkového času práce. Nasledovné doplnujúce bezpečnostné opatrenia pomôhajú chrániť operátora od účinkov vibrácií: údržba nástroja a príslušenstva, udržiavanie teplých dŕazdiel, organizácia práce.

GR

ΠΡΟΕΙΔΟΠΟΙΗΣΗ

Τα επίπεδα έκθεσης κραδασμών που παρέχονται στο παρόν ενημερωτικό φυλλάδιο, έχουν μετρηθεί βάσει τυποποιημένης δοκιμής που προβλέπεται στο EN60745 και μπορούν να συγκριθούν για τη σύγκριση του εργαλείου με άλλα. Μπορούν επίσης να χρησιμοποιηθούν για προκαταρκτική αξιολόγηση της έκθεσης. Τα δηλωμένα επίπεδα έκθεσης κραδασμών αφορούν τις βασικές εφαρμογές του εργαλείου. Ωστόσο, αν το εργαλείο χρησιμοποιείται για διαφορετικές εφαρμογές, με διαφορετικά εξαρτήματα ή με κακή συντήρηση, η έκποση κραδασμών μπορεί να διαφέρει. Αυτό μπορεί να αυξήσει σημαντικά το επίπεδο έκθεσης στη συνολική περίοδο εργασίας.

Η εκτίμηση των επιπέδων έκθεσης σε κραδασμούς θα πρέπει επίσης να λαμβάνει υπόψη την συχνότητα χρονικές περιόδους κατά τις οποίες το εργαλείο είναι απενεργοποιημένο ή λειτουργεί χωρίς να χρησιμοποιείται σε συγκεκριμένη εργασία. Αυτό μπορεί να μειώσει σημαντικά το επίπεδο έκθεσης στη συνολική περίοδο εργασίας. Εφαρμοστέ επιπρόσθετα μέτρα ασφαλείας για την προστασία του χειριστή από τις επιπτώσεις των κραδασμών, όπως τα εξής: συντήρηση του εργαλείου και τα εξαρτήματα, διατήρηση τα χέρια ζεστά, οργανώστε ροτίββα εργασίας.

TR

UYARI

Titreşime maruz kalma seviyesinin değerlendirilmesi aynı zamanda alet kapalı ve arızadan çalışır ancak gerekçer anladığı yapıldığı zamanlar da göz önünde bulundurulmalıdır. Bu durum toplam çalışma süresi boyunca maruz kalma seviyesini önemli ölçüde artırır.

Titreşime maruz kalma seviyesinin değerlendirilmesi aynı zamanda alet kapalı ve arızadan çalışır ancak gerekçer anladığı yapıldığı zamanlar da göz önünde bulundurulmalıdır. Bu durum toplam çalışma süresi boyunca maruz kalma seviyesini önemli ölçüde azaltır. Operatörü titreşimin etkilerinden korumak için ilave güvenlik önlemleri belirleyin, örneğin: aletin ve aksesuarlarının bakımlını yapın, operatörün ellerini sıcak tutmak, çalışma modellerini organize etme.

GB DECLARATION OF CONFORMITY

We declare under our sole responsibility that this product is in conformity with the conformity standards or standardized documents: 2006/42/EC, 2006/95/EC, 2004/108/EC, EN55014-1, EN55014-2, EN61000-3-2, EN61000-3-3, EN60745-1, EN60745-2-11, EN62233. Noise level [K=3dB(A)]: Lp=87.4dB(A) Lw=98.4dB(A) Vibration level: Cutting wood [K=2.5m/s²] ah=8.0m/s², Cutting metal sheet [K=1.5m/s²] ah=12.6m/s²

FR DÉCLARATION DE CONFORMITÉ

Nous déclarons sous notre propre responsabilité que ce produit est en conformité avec les normes ou documents normalisés suivants: 2006/42/CE, 2006/95/CE, 2004/108/CE, EN55014-1, EN55014-2, EN61000-3-2, EN61000-3-3, EN60745-1, EN60745-2-11, EN62233. Niveau de bruit [K=3dB(A)]: Lp=87.4dB(A) Lw=98.4dB(A) Niveau de vibration: Coupe dans le bois [K=2.5m/s²] ah=8.0m/s², Coupe dans de la tôle métallique [K=1.5m/s²] ah=12.6m/s²

DE KONFORMITÄTSERKLÄRUNG

Wir erklären in alleiniger Verantwortung, dass dieses Produkt mit den folgenden Normen oder normativen Dokumenten übereinstimmt: 2006/42/EC, 2006/95/EC, 2004/108/EC, EN55014-1, EN55014-2, EN61000-3-2, EN61000-3-3, EN60745-1, EN60745-2-11, EN62233. Geräuschpegel [K=3dB(A)]: Lp=87.4dB(A) Lw=98.4dB(A) Vibrationsgrad: Holzschneiden [K=2.5m/s²] ah=8.0m/s², Blechschnelden [K=1.5m/s²] ah=12.6m/s²

ES DECLARACION DE CONFORMIDAD

Declaramos bajo nuestra exclusiva responsabilidad que este producto es conforme a las siguientes normas o documentos normalizados: 2006/42/EC, 2006/95/EC, 2004/108/EC, EN55014-1, EN55014-2, EN61000-3-2, EN61000-3-3, EN60745-1, EN60745-2-11, EN62233. Nivel de ruido [K=3dB(A)]: Lp=87.4dB(A) Lw=98.4dB(A) Nivel de vibración: Cortar madera [K=2.5m/s²] ah=8.0m/s², Cortar lámina de metal [K=1.5m/s²] ah=12.6m/s²

IT DICHIARAZIONE DI CONFORMITÀ

Dichiaro, assumendo la piena responsabilità di tale dichiarazione, che il prodotto è conforme alle seguenti normative e ai relativi documenti: 2006/42/CE, 2006/95/CE, 2004/108/CE, EN55014-1, EN55014-2, EN61000-3-2, EN61000-3-3, EN60745-1, EN60745-2-11, EN62233. Livello di rumore [K=3dB(A)]: Lp=87.4dB(A) Lw=98.4dB(A) Livello di vibrazione: Taglio del legno [K=2.5m/s²] ah=8.0m/s², Taglio dei fogli di metallo [K=1.5m/s²] ah=12.6m/s²

NL CONFORMITEITSVERKLARING

Wij verklaren op onze eigen verantwoordelijkheid dat dit product voldoet aan de volgende normen of normatieve documenten. 2006/42/EC, 2006/95/EC, 2004/108/EC, EN55014-1, EN55014-2, EN61000-3-2, EN61000-3-3, EN60745-1, EN60745-2-11, EN62233. Geluidsniveau [K=3dB(A)]: Lp=87.4dB(A) Lw=98.4dB(A) Trillingsniveau: Zagen van hout [K=2.5m/s²] ah=8.0m/s², Zagen van plaatmetaal [K=1.5m/s²] ah=12.6m/s²

PT DECLARAÇÃO DE CONFORMIDADE

Declaramos, sob nossa exclusiva responsabilidade, que este produto cumpre as seguintes normas ou documentos normativos. 2006/42/EC, 2006/95/EC, 2004/108/EC, EN55014-1, EN55014-2, EN61000-3-2, EN61000-3-3, EN60745-1, EN60745-2-11, EN62233. Nivel de ruído [K=3dB(A)]: Lp=87.4dB(A) Lw=98.4dB(A) Nivel de vibração: No corte de madeira [K=2.5m/s²] ah=8.0m/s², No corte de chapão de metal [K=1.5m/s²] ah=12.6m/s²

DK KONFORMITETSERKLÆRING

Vi erklærer på eget ansvar, at dette produkt er i overensstemmelse med følgende standarder eller standardiseringsdokumenter: 2006/42/EC, 2006/95/EC, 2004/108/EC, EN55014-1, EN55014-2, EN61000-3-2, EN61000-3-3, EN60745-1, EN60745-2-11, EN62233. Støjniveau [K=3dB(A)]: Lp=87.4dB(A) Lw=98.4dB(A) Vibrationsniveau: Træsækring [K=2.5m/s²] ah=8.0m/s², Metalpladeskæring [K=1.5m/s²] ah=12.6m/s²

SE FÖRSÄKRAN

Vi intygar och ansvarar för, att denna produkt överensstämmer med följande normer och dokument. 2006/42/EC, 2006/95/EC, 2004/108/EC, EN55014-1, EN55014-2, EN61000-3-2, EN61000-3-3, EN60745-1, EN60745-2-11, EN62233. Bullernivå [K=3dB(A)]: Lp=87.4dB(A) Lw=98.4dB(A) Vibrationsnivå: Sågning i trä [K=2.5m/s²] ah=8.0m/s², Sågning i metallplåt [K=1.5m/s²] ah=12.6m/s²

FI TODISTUS STANDARIN-MUKAISUDESTA

Todistamme täten ja vastaamme yksin siitä, että tämä tuote on alla lueteltujen standardien ja standardoimis-asiakirjojen vaatusten mukainen. 2006/42/EC, 2006/95/EC, 2004/108/EC, EN55014-1, EN55014-2, EN61000-3-2, EN61000-3-3, EN60745-1, EN60745-2-11, EN62233. Melutaso [K=3dB(A)]: Lp=87.4dB(A) Lw=98.4dB(A) Tärinätausta: Puun leikkaus [K=2.5m/s²] ah=8.0m/s², Metallilevyn leikkaus [K=1.5m/s²] ah=12.6m/s²

NO SAMSVARERKLÆRING

Vi erklærer på eget ansvar at dette produktet er i samsvar med følgende standarder og normative dokumenter: 2006/42/EC, 2006/95/EC, 2004/108/EC, EN55014-1, EN55014-2, EN61000-3-2, EN61000-3-3, EN60745-1, EN60745-2-11, EN62233. Støynivå [K=3dB(A)]: Lp=87.4dB(A) Lw=98.4dB(A) Vibrasjonsnivå: Skjæring av tre [K=2.5m/s²] ah=8.0m/s², Skjæring av metallplater [K=1.5m/s²] ah=12.6m/s²

RU ЗАВЯЩЕНИЕ О СООТВЕТСТВИИ СТАНДАРТАМ

Мы со всей ответственностью заявляем, что настоящая продукция соответствует ниже следующим нормам и документам: 2006/42/EC, 2006/95/EC, 2004/108/EC, EN55014-1, EN55014-2, EN61000-3-2, EN61000-3-3, EN60745-1, EN60745-2-11, EN62233. Уровень шума [K=3dB(A)]: Lp=87.4dB(A) Lw=98.4dB(A) Уровень вибрации: При распиловке дерева [K=2.5m/s²] ah=8.0m/s², При резании металлических листов [K=1.5m/s²] ah=12.6m/s²

PL DEKLARACJA ZGODNOŚCI

Z całą odpowiedzialnością oświadczamy, że niniejszy produkt jest zgodny z normami czy też znormalizowanymi dokumentami wymienionymi poniżej: 2006/42/EC, 2006/95/EC, 2004/108/EC, EN55014-1, EN55014-2, EN61000-3-2, EN61000-3-3, EN60745-1, EN60745-2-11, EN62233. Poziom hałasu [K=3dB(A)]: Lp=87.4dB(A) Lw=98.4dB(A) Poziom drgań: Cięcie drewna [K=2.5m/s²] ah=8.0m/s², Cięcie blach stalowych [K=1.5m/s²] ah=12.6m/s²

CZ PROHLÁŠENÍ O SHODĚ

Prohláškujeme na svou zodpovednosť, že tento výrobek splňuje požadavky níže uvedených norem a závazných předpisů: 2006/42/EC, 2006/95/EC, 2004/108/EC, EN55014-1, EN55014-2, EN61000-3-2, EN61000-3-3, EN60745-1, EN60745-2-11, EN62233. Hladina hluku [K=3dB(A)]: Lp=87.4dB(A) Lw=98.4dB(A) Úroveň vibrací: Řezání dřeva [K=2.5m/s²] ah=8.0m/s², Řezání kovového plechu [K=1.5m/s²] ah=12.6m/s²

HU SZABVÁNY RENDELKEZÉSEK

Felelősségünk teljes tudatában kijelentjük, hogy a jelen termék megfelel a következő szabványoknak és előírásoknak: 2006/42/EC, 2006/95/EC, 2004/108/EC, EN55014-1, EN55014-2, EN61000-3-2, EN61000-3-3, EN60745-1, EN60745-2-11, EN62233. Zajszint [K=3dB(A)]: Lp=87.4dB(A) Lw=98.4dB(A) Vibráció szint: Fa vágása [K=2.5m/s²] ah=8.0m/s², Fémlemez vágása [K=1.5m/s²] ah=12.6m/s²

RO DECLARAȚIE DE CONFORMITATE

Declarăm pe propria răspundere că acest produs este conform cu normele sau documentele normative următoare: 2006/42/EC, 2006/95/EC, 2004/108/EC, EN55014-1, EN55014-2, EN61000-3-2, EN61000-3-3, EN60745-1, EN60745-2-11, EN62233. Nivelul de zgomot [K=3dB(A)]: Lp=87.4dB(A) Lw=98.4dB(A) Nivelul vibrațiilor: Taierea lemn [K=2.5m/s²] ah=8.0m/s², Taierea placă metalică [K=1.5m/s²] ah=12.6m/s²

LV ATBILSTĪBAS PAZIŅOJUMS

Mēs uz savu atbildību paziņojam, ka šis produkts atbilst šādiem standartiem vai standartizācijas dokumentiem.
2006/42/EC, 2006/95/EC, 2004/108/EC, EN55014-1, EN55014-2, EN61000-3-2, EN61000-3-3, EN60745-1, EN60745-2-11, EN62233.
Troksņa līmenis [K=3dB(A)]: Lp=87.4dB(A) Lw=98.4dB(A)
Vibrācijas līmenis: Koka zāģēšan [K=2.5m/s²] ah=8.0m/s², Metāla loksnes zāģēšana [K=1.5m/s²] ah=12.6m/s²

LT ATITIKTIKES DEKLARACIJA

Prisiisdami visa atsakomybę, pareiškiame, kad produktas atitinka žemiau išvardintus standartus ar standartų dokumentus.
2006/42/EC, 2006/95/EC, 2004/108/EC, EN55014-1, EN55014-2, EN61000-3-2, EN61000-3-3, EN60745-1, EN60745-2-11, EN62233.
Triukšmo lygis [K=3dB(A)]: Lp=87.4dB(A) Lw=98.4dB(A)
Vibracijos lygis: Medienos pjūvima [K=2.5m/s²] ah=8.0m/s², Metalo lakštų pjūvimas [K=1.5m/s²] ah=12.6m/s²

EE VASTAVUSDEKLARATSIION

Kinnitame oma ainuvastutusele, et see toode on vastavuses järgmistele standardidele või standardiseeritud dokumentidega.
2006/42/EC, 2006/95/EC, 2004/108/EC, EN55014-1, EN55014-2, EN61000-3-2, EN61000-3-3, EN60745-1, EN60745-2-11, EN62233.
Müratase [K=3dB(A)]: Lp=87.4dB(A) Lw=98.4dB(A)
Vibratsioonitase: Puidu saagimine [K=2.5m/s²] ah=8.0m/s², Lehtmaterjali saagimine [K=1.5m/s²] ah=12.6m/s²

HR DEKLARACIJA O USKLA-ENOSTI

Odgovorno izjavljujemo da je ovaj proizvod u skladu sa sljedećim normama ili normiranim dokumentima:
2006/42/EC, 2006/95/EC, 2004/108/EC, EN55014-1, EN55014-2, EN61000-3-2, EN61000-3-3, EN60745-1, EN60745-2-11, EN62233.
Razina buke [K=3dB(A)]: Lp=87.4dB(A) Lw=98.4dB(A)
Razina vibracije: Rezanje drveta [K=2.5m/s²] ah=8.0m/s², Rezanje metalnog lima [K=1.5m/s²] ah=12.6m/s²

SI IZJAVA O SKLADNOSTI

Z lastno odgovornostjo izjavljamo, da je ta izdelek skladen z zahtevami sledećih standardov ali standardiziranih dokumentov:
2006/42/EC, 2006/95/EC, 2004/108/EC, EN55014-1, EN55014-2, EN61000-3-2, EN61000-3-3, EN60745-1, EN60745-2-11, EN62233.
Stopnja hrupa [K=3dB(A)]: Lp=87.4dB(A) Lw=98.4dB(A)
Stopnja vibracij: Žaganje lesa [K=2.5m/s²] ah=8.0m/s², Rezanje kovinskih plošč [K=1.5m/s²] ah=12.6m/s²

SK PREHLÁSENIE O ZHODE

Vyhlasujeme našu výhradnú zodpovednosť za produkt, ktorý spĺňa nasledovné štandardy alebo štandardizované dokumenty.
2006/42/EC, 2006/95/EC, 2004/108/EC, EN55014-1, EN55014-2, EN61000-3-2, EN61000-3-3, EN60745-1, EN60745-2-11, EN62233.
Hladina hluku [K=3dB(A)]: Lp=87.4dB(A) Lw=98.4dB(A)
Hladina vibrácií: Rezanie dreva [K=2.5m/s²] ah=8.0m/s², Rezanie kovových plátov [K=1.5m/s²] ah=12.6m/s²

GR ΔΗΛΩΣΗ ΣΥΜΜΟΡΦΩΣΗΣ

Δηλώνουμε υπευθύνως ότι το προϊόν αυτό συμμορφούται προς τα ακόλουθα πρότυπα ή τυποποιημένα έγγραφα:
2006/42/EC, 2006/95/EC, 2004/108/EC, EN55014-1, EN55014-2, EN61000-3-2, EN61000-3-3, EN60745-1, EN60745-2-11, EN62233.
Επίπεδο θορύβου [K=3dB(A)]: Lp=87.4dB(A) Lw=98.4dB(A)
Επίπεδο κραδασμών: Κοπή ξύλου [K=2.5m/s²] ah=8.0m/s², Κοπή μεταλλικών ελασμάτων [K=1.5m/s²] ah=12.6m/s²

TR UYGUNLUK BELGESİ

Bu ürünüñ aşağıdaki normlar ya da norm belgeleri ile uyumlu olduğunu kendi sorumluluğumuzda ortaya koyarak beyan ederiz:
2006/42/EC, 2006/95/EC, 2004/108/EC, EN55014-1, EN55014-2, EN61000-3-2, EN61000-3-3, EN60745-1, EN60745-2-11, EN62233.
Gürültü seviyesi [K=3dB(A)]: Lp=87.4dB(A) Lw=98.4dB(A)
Titreşim seviyesi: Ahşap kesme [K=2.5m/s²] ah=8.0m/s², Metal levha kesme [K=1.5m/s²] ah=12.6m/s²

Machine: JIGSAW

Type: EJ600

CE Jun 2010




Techtronic Industries

Name of company: TECHTRONIC INDUSTRIES CO. LTD.
Address: 24/F, CDW BUILDING, 388 CASTLE PEAK ROAD, TSUEN WAN, HONG KONG.
Web: www.ttigroup.com
Name/Title: Brian Ellis / Vice President - Engineering

Signature:  Jun 15, 2010

Technical File at

Name of company: TTI EMEA
Address: MEDINA HOUSE, FIELDHOUSE LANE, MARLOW, BUCKS, SL7 1TB, UNITED KINGDOM.
Web: www.ttigroup.com
Name/Title: Carl A. Jeffries / Head of Ryobi Product Marketing

Signature: 

Trademarks:
The use of the trademark Ryobi is pursuant to a license granted by Ryobi Limited.