

- FR** Mentions Légales & Consignes de Sécurité
- ES** Instrucciones Legales y de Seguridad
- PT** Avisos Legais e instruções de Segurança
- IT** Istruzioni Legali e di Sicurezza
- EL** Νομικό σημείωμα και οδηγίες ασφαλείας
- PL** Uwagi Prawne i Instrukcja Bezpieczeństwa
- RU** Руководство По Технике Безопасности и Правовым нормам
- UK** Керівництво з Техніки Безпеки і Правовим нормам
- RO** Manual privind siguranța și aspectele juridice
- EN** Legal & Safety Instructions



EAN CODE : 3276000241904

Traduction de la version originale du mode d'emploi-Taille-haie électrique / Traducción de las Instrucciones originales-Cortasetos eléctrico / Tradução das Instruções Originais-Corta-sebes eléctrico de / Traduzione delle istruzioni originali-Potasepi elettrico / Μετάφραση των πρωτότυπων οδηγιών-Ηλεκτρικό θάμνοκοπτικό / Tłumaczenie instrukcji oryginalnej-Elektryczne nożyce do żywopłotu o mocy / Перевод оригинала инструкции-Кусторез электрический / Переклад оригінальної інструкції-Електричний кушоріз / Traducerea instrucțiunilor originale -Foarfece electric de tăiat gard viu / Original Instruction-Electric hedge trimmer



SYMBOLS



Caution / Warning



Always wear head protection



Wear eye protection



Wear face protection!



Wear sturdy, non-slip footwear



This product is of protection class II. That means it is equipped with enhanced or double insulation.



To reduce the risk of injury, user must read instruction manual.



The product complies with the applicable European directives and an evaluation method of conformity for these directives was done.



Wear protective gloves



WEEE symbol. Waste electrical products should not be disposed of with household waste. Please recycle where facilities exist. Check with your Local Authority or local store for recycling advice.



Wear tight-fitted protective clothes.



Do not expose to rain



Remove plug from the mains immediately if the cable is damaged or cut.



Guaranteed sound power level: 103 dB(A)

CONTENTS

1. Intended use
2. Safety instructions
3. Know your product
4. Technical specifications
5. Troubleshooting
6. Disposal and recycling
7. Warranty
8. Exploded view with parts list
9. CE declaration of conformity

1.INTENDED USE

- 1.This electric hedge trimmer EHT2-65.3 is designed with a rated power input of 650 W.This product is intended for cutting and trimming of hedges, bushes and shrubs in domestic gardens. The maximum cutting capacity must be observed. Do not cut branches exceeding the stated maximum capacity.
- 2.Do not use this product in case of rain or in a humid environment.
- 3.For safety reasons, always read the entire instruction manual before first operation and observe all the instructions therein.
- 4.This product is intended for private domestic use only, not for any commercial trade use. Do not use the product for any purposes other than those described.

2. SAFETY INSTRUCTIONS

3
0

General Power Tool Safety Warnings



WARNING! Read all safety warnings and all instructions.

Failure to follow the warnings and instructions may result in electric shock, fire and/or serious injury.

Save all warnings and instructions for future reference.

The term "power tool" in the warnings refers to your mains-operated (corded) power tool or battery-operated (cordless) power tool.

Work area safety

1. Keep work area clean and well lit. Cluttered or dark areas invite accidents.
2. Do not operate power tools in explosive atmospheres, such as in the presence of flammable liquids, gases or dust. Power tools create sparks which may ignite the dust or fumes.
3. Keep children and bystanders away while operating a power tool. Distractions can cause you to lose control.

Electrical safety

1. Power tool plugs must match the outlet. Never modify the plug in any way. Do not use any adapter plugs with earthed (grounded) power tools. Unmodified plugs and matching outlets will reduce risk of electric shock.
2. Avoid body contact with earthed or grounded surfaces, such as pipes, radiators, ranges and refrigerators. There is an increased risk of electric shock if your body is earthed or grounded.
3. Do not expose power tools to rain or wet conditions. Water entering a power tool will increase the risk of electric shock.
4. Do not abuse the cord. Never use the cord for carrying, pulling or unplugging the power tool. Keep cord away from heat, oil, sharp edges

2. SAFETY INSTRUCTIONS

- or moving parts. Damaged or entangled cords increase the risk of electric shock.
5. When operating a power tool outdoors, use an extension cord suitable for outdoor use. Use of a cord suitable for outdoor use reduces the risk of electric shock.
 6. If operating a power tool in a damp location is unavoidable, use a residual current device (RCD) protected supply. Use of an RCD reduces the risk of electric shock.

Personal safety

1. Stay alert, watch what you are doing and use common sense when operating a power tool. Do not use a power tool while you are tired or under the influence of drugs, alcohol or medication. A moment of inattention while operating power tools may result in serious personal injury.
2. Use personal protective equipment. Always wear eye protection. Protective equipment such as dust mask, non-skid safety shoes, hard hat, or hearing protection used for appropriate conditions will reduce personal injuries.
3. Prevent unintentional starting. Ensure the switch is in the off-position before connecting to power source and/or battery pack, picking up or carrying the tool. Carrying power tools with your finger on the switch or energising power tools that have the switch on invites accidents.
4. Remove any adjusting key or wrench before turning the power tool on. A wrench or a key left attached to a rotating part of the power tool may result in personal injury.
5. Do not overreach. Keep proper footing and balance at all times. This enables better control of the power tool in unexpected situations.
6. Dress properly. Do not wear loose clothing or jewellery. Keep your hair, clothing and gloves away from moving parts. Loose clothes, jewellery

2. SAFETY INSTRUCTIONS

or long hair can be caught in moving parts.

7. If devices are provided for the connection of dust extraction and collection facilities, ensure these are connected and properly used. Use of dust collection can reduce dust-related hazards.

Power tool use and care

1. Do not force the power tool. Use the correct power tool for your application. The correct power tool will do the job better and safer at the rate for which it was designed.
2. Do not use the power tool if the switch does not turn it on and off. Any power tool that cannot be controlled with the switch is dangerous and must be repaired.
3. Disconnect the plug from the power source and/or the battery pack from the power tool before making any adjustments, changing accessories, or storing power tools. Such preventive safety measures reduce the risk of starting the power tool accidentally.
4. Store idle power tools out of the reach of children and do not allow persons unfamiliar with the power tool or these instructions to operate the power tool. Power tools are dangerous in the hands of untrained users.
5. Maintain power tools. Check for misalignment or binding of moving parts, breakage of parts and any other condition that may affect the power tool's operation. If damaged, have the power tool repaired before use. Many accidents are caused by poorly maintained power tools.
6. Keep cutting tools sharp and clean. Properly maintained cutting tools with sharp cutting edges are less likely to bind and are easier to control.
7. Use the power tool, accessories and tool bits etc. in accordance with these instructions, taking into account the working conditions and the work to be performed. Use of the power tool for operations different from those intended could result in a hazardous situation.

2. SAFETY INSTRUCTIONS

Service

1. Have your power tools serviced by a qualified repair person using only identical replacement parts. This will ensure that safety of the power tool is maintained.

If the supply cable is damaged, it must be replaced by the manufacturer, its service agent or similarly qualified persons in order to avoid a hazard. If the carbon brushes need to be replaced, have this done by a qualified repair person (always replace the two brushes at the same time).

Hedge trimmer safety warnings

1. Keep all parts of the body away from the cutter blade. Do not remove cut material or hold material to be cut when blades are moving. Make sure the switch is off when clearing jammed material. A moment of inattention while operating the hedge trimmer may result in serious personal injury.
2. Carry the hedge trimmer by the handle with the cutter blade stopped. When transporting or storing the hedge trimmer always fit the cutting device cover. Proper handling of the hedge trimmer will reduce possible personal injury from the cutter blades.
3. Hold the power tool by insulated gripping surfaces only, because the cutter blade may contact hidden wiring or its own cord. Cutter blades contacting a «live» wire may make exposed metal parts of the power tool «live» and could give the operator an electric shock.
4. Keep cable away from cutting area. During operation the cable may be hidden in shrubs and can be accidentally cut by the blade.
5. Check the hedge for foreign objects before operation, e.g. wire fences. Take care that the cutting device does not come into contact with wire or other metal objects.

2. SAFETY INSTRUCTIONS

6. Hold the hedge trimmer properly, e.g. with both hands if two handles are provided. Loss of control can cause personal injury.
7. The product should be supplied via a residual current device (RCD) with a tripping current of not more than 30 mA.

Additional hedge trimmer safety warnings

1. Keep hands and feet away from the cutting device at all times and especially when switching the product on.
2. Do not try to grasp or remove trimmings when the product is running. Only remove trimmings when the product is switched off and disconnected from the power supply.
3. Never hold the product by the guard.
4. Always be sure of a safe and secure operating position, whilst using the product.
5. Never use the product standing on steps or a ladder. Do not work over shoulder height.
6. Always ensure the safety guard supplied is fitted before using the product. Never attempt to use an incomplete product or one fitted with an unauthorised modification.
7. Check the cutting device regularly for damage, and if damaged repair immediately.
8. Do not overload the product.
9. Check immediately if the product starts to vibrate abnormally. Excessive vibration can cause injury.
10. Switch the product off when the cutting device is blocked. Disconnect it from power supply and remove the blockage. Inspect the cutting device for damage before using the product again.
11. Follow the maintenance and repair instructions for this product. Never carry out any modifications of the product. Information about maintenance and repair is provided in this instruction manual.

2. SAFETY INSTRUCTIONS

12. Know how to stop the product quickly in an emergency.
13. Do not expose the product to rain. Do not operate the product on a wet hedge.
14. Use the product only in daylight or good artificial light.
15. Prolonged use of the product exposes the user to vibrations that can cause a range of conditions collectively known as hand-arm vibration syndrome (HAVS) e.g. fingers going white; as well as specific diseases such as carpal tunnel syndrome.

To reduce this risk when using the product, always wear protective gloves and keep your hands warm.

The symptoms of HAVS include any combination of the following: Tingling and numbness in the fingers; Not being able to feel things properly; Loss of strength in the hands; Fingers going white (blanching) and becoming red and painful on recovery (particularly in the cold and wet, and probably only in the tips at first). Seek medical advice immediately if such symptoms are experienced.

Maintenance and storage

1. Disconnect the product from the power supply (i.e. remove the plug from the power supply) and check for damage after use.
2. Disconnect the product from the power supply (i.e. remove the plug from the power supply) before carrying out maintenance or cleaning work.
3. Use only the manufacturer's recommended replacement parts and accessories.
4. Inspect and maintain the product regularly. Have the product repaired only by an authorised service centre or similar qualified specialist.
5. When not in use, store the product out of the reach of children.

2. SAFETY INSTRUCTIONS

Vibration and noise reduction

To reduce the impact of noise and vibration emission, limit the time of operation, use low-vibration and low-noise operating modes as well as wear personal protective equipment.

Take the following points into account to minimise the vibration and noise exposure risks:

1. Only use the product as intended by its design and these instructions.
2. Ensure that the product is in good condition and well maintained.
3. Use correct attachments for the product and ensure they are in good condition.
4. Keep tight grip on the handles/grip surface.
5. Maintain this product in accordance with these instructions and keep it well lubricated (where appropriate).
6. Plan your work schedule to spread any high vibration tool use across a longer period of time.

Emergency

Familiarise yourself with the use of this product by means of this instruction manual. Memorise the safety directions and follow them to the letter. This will help to prevent risks and hazards.

1. Always be alert when using this product, so that you can recognise and handle risks early. Fast intervention can prevent serious injury and damage to property.
2. Switch off and disconnect from the power supply if there are malfunctions. Have the product checked by a qualified professional and repaired, if necessary, before you operate it again.

2. SAFETY INSTRUCTIONS

Residual risks

Even if you are operating this product in accordance with all the safety requirements, potential risks of injury and damage remain. The following dangers can arise in connection with the structure and design of this product:

1. Health defects resulting from vibration emission if the product is being used over long periods of time or not adequately managed and properly maintained.
2. Injuries and damage to property due to broken cutting attachments or the sudden impact of hidden objects during use.
3. Danger of injury and property damage caused by flying objects.

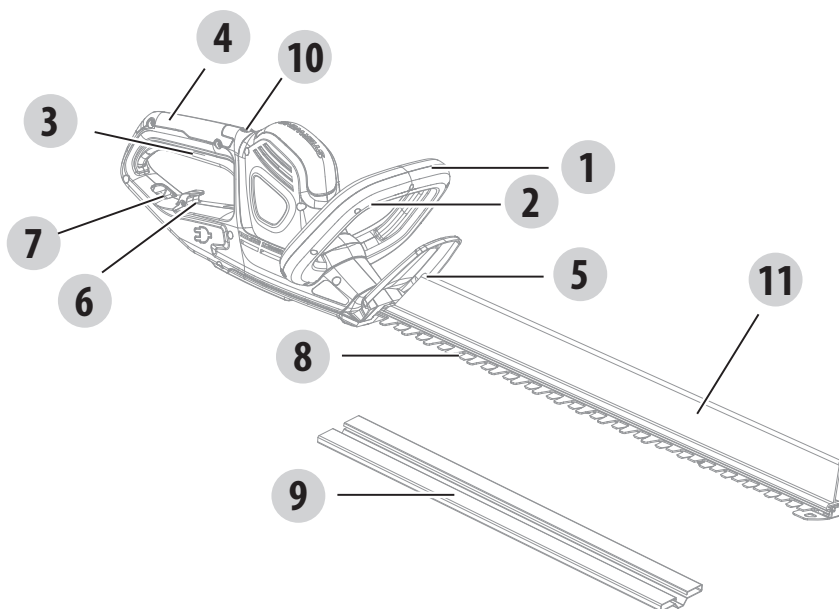


WARNING!

This product produces an electromagnetic field during operation! This field may under some circumstances interfere with active or passive medical implants! To reduce the risk of serious or fatal injury, we recommend persons with medical implants to consult their doctor and the medical implant manufacturer before operating this product!

3. KNOW YOUR PRODUCT

- 1 Front handle
- 2 Hand safety switch
- 3 Switch trigger
- 4 Rear handle
- 5 Guard
- 6 Cable strain relief
- 7 Opening
- 8 Blade
- 9 Blade cover
- 10 LED Indicator
- 11 Sweep function board



4. TECHNICAL SPECIFICATIONS

Model	EHT2-65.3
Rated voltage	220-240V~50Hz
Rated input power	650W
Rated no-load speed	1700/ min
Cutting length	650mm
Max cutting capacity	17mm
Sound pressure level LpA	89.63 dB(A)
Sound power level LwA	99.36dB(A)
Uncertainty K	2.27dB(A)
Guaranteed sound power level	103dB(A)
Vibration level	Rear handle: 3.3 m/s ² ; Front handle: 2.8m/s ²
Uncertainty K	1.5 m/s ²
Machine weight	4.4kg

The sound intensity level for the operator may exceed 85dB(A) and protection measures are necessary.

The declared vibration total value has been measured in accordance with a standard test method and may be used for comparing one tool with another. The declared vibration total value may also be used in a preliminary assessment of exposure.



WARNING! The vibration emission value during actual use of the tool can differ from the declared value depending on the ways in which the tool is used. Identify safety measures to protect the operator that are based on an estimation of exposure in the actual conditions of use (taking account of all parts of the operating cycle such as the times when the tool is switched off and when it is running idle in addition to the trigger time). Depending on the actual use of the product the vibration values can differ from the declared total! Adopt proper measures to protect yourself against vibration exposures! Take the whole work process including times the product is running under no load or switched off into consideration! Proper measures include among others regular maintenance and care of the product and application tools, keeping hands warm, periodical breaks and proper planning of work processes!

5. TROUBLESHOOTING

Problems	Possible cause	Solution
Product does not start	Not connected to power supply	Connect to power supply
	Power cord or plug is defective	Have it checked by a specialist electrician
	Other electrical defect to the product	Have it checked by a specialist electrician
Product does not reach full power	Extension cord not suitable for operation with this product	Use a proper extension cord
	Power source (e.g. generator) has too low voltage	Connect to another power source
	Air vents are blocked	Clean the air vents
Unsatisfactory cutting performance	Blade is worn/damaged	Have it replaced with new one
	Thickness of branches exceeds capacity	Only cut branches complying with the capacity
Excessive vibration/noise	Blade is damaged	Have it replaced with new one
	Bolts/nuts are loose	Tighten bolts/nuts

6. DISPOSAL AND RECYCLING



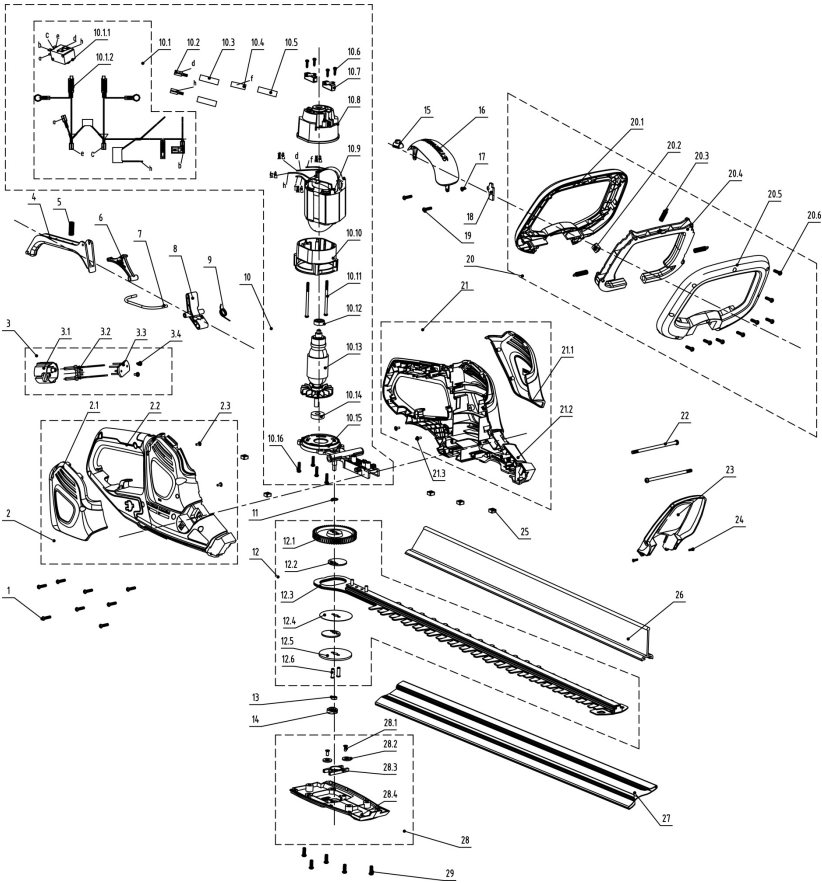
The product comes in a package that protects it against damage during shipping. Keep the package until you make sure that all parts have been delivered and the product operates properly. And then recycle the package.

CAUTION! This product shall not be discarded with household waste but that it shall be returned to a collection system which conforms to the European WEEE Directive. Contact your local authorities or stockist for advice on recycling. It will then be recycled or dismantled in order to reduce the impact on the environment. Electric and electronic equipment can be hazardous for the environment and for human health since they contain hazardous substances.

7. WARRANTY

1. STERWINS products are designed to highest DIY quality standards. STERWINS offers a 36-month warranty for its products, from the date of purchase. This warranty applies to all material and manufacturing defects which may arise. No further claims are possible, of whatever nature, direct or indirect, relating to people and/or materials.
2. In the event of a problem or defect, always refer initially to your STERWINS dealer. In most cases, the STERWINS dealer will be able to solve the problem or correct the defect.
3. Repairs or the replacement of parts will not extend the original warranty period.
4. Defects which have arisen as a result of improper use or wear are not covered by the warranty. Amongst other things, this relates to switches, protective circuit switches and motors, in the event of wear.
5. Your claim upon the warranty can only be processed if:
 - Proof of the purchase date can be provided in the form of a receipt
 - No repairs and/or replacements have been carried out by third parties
 - The tool has not been subjected to improper use (overloading of the machine or fitting non-approved accessories).
 - There is no damage caused by external influences or foreign bodies such as sand or stones.
 - There is no damage caused by non-observance of the safety instructions and operating instructions.
6. Warranty terms are applicable combined with our sales and delivery terms.
7. Faulty tools to be returned to STERWINS via your STERWINS dealer will be collected by STERWINS provided the product is properly packaged. Faulty goods sent directly to STERWINS by the consumer shall be processed only if the consumer has paid the shipping costs.
8. Products which are delivered in a poorly packaged condition will not be accepted by STERWINS.

8.EXPLODED VIEW WITH PARTS LIST



8. EXPLODED VIEW WITH PARTS LIST

POS	DESCRIPTION	POS	DESCRIPTION	POS	DESCRIPTION
1	Screw	10.11	Screw	20.6	Screw
2	Right housing assy	10.12	Bearing	21	Left housing assy
2.1	Right cover	10.13	Rotor assy	21.1	Left cover
2.2	Right housing	10.14	Bearing	21.2	Left housing
2.3	Screw	10.15	Aluminum bracket	21.3	Screw
3	Plug base assy	10.15.1	Gear shaft	22	Screw
3.1	Plug base	10.16	Screw	23	Guard
3.2	Plug and connection wire assy	11	Gasket	24	Screw
3.3	Fixing base	12	Blade gear assy	25	Nut
3.4	Screw	12.1	Gear	26	Sweep board
4	Rear trigger	12.2	Eccentric gear	27	Blade cover
5	Switch spring	12.3	Blade assy	28	Bottom cover assy
6	Rear rotational rod	12.3.1	Blade protector	28.1	Screw
7	Steel wire rod	12.4	Gasket	28.2	Gasket
8	Rotational rod	12.5	Gasket	28.3	Fixing base
9	Reset spring	12.6	Pin	28.4	Bottom cover
10	Motor and connection wire assy	13	Gasket	29	Screw
10.1	Switch and connection wire assy	14	Bolt sleeve		
10.1.1	Switch	15	Indicator cover		
10.1.2	Connection wire assy	16	Top cover		
10.2	Female terminal	17	Screw		
10.3	Heat-shrinkable tube	18	Pressing plate		
10.4	Copper strip	19	Screw		
10.5	Heat-shrinkable tube	20	Front handle assy		
10.6	Screw	20.1	Upper handle		
10.7	Carbon brush	20.2	Nut		
10.8	Carbon brush holder	20.3	Spring		
10.9	Stator assy	20.4	Front trigger		
10.10	Bracket	20.5	Lower handle		

9.CE DECLARATION OF CONFORMITY

We

**ADEO Services
135 rue Sadi Carnot
CS 00001
59790 Ronchin - France**

Declare that the product detailed below:

Electric Hedge Trimmer 650W

Model: EHT2-65.3

Satisfies the requirement of the Council Directives:

Machinery Directive 2006/42/EC

EMC Directive 2014/30/EU

The Outdoor Noise Directive 2000/14/EC amended by 2005/88/EC

Guaranteed Sound Power Level 103dB(A)

The RoHS Directive 2011/65/EU

and conforms to the norms:

EN 55014-1: 2006+A1: 2009+A2: 2011

EN 55014-2: 2015

EN 61000-3-2: 2014

EN 61000-3-3: 2013

EN 60745-1: 2009+A11: 2010

EN 60745-2-15: 2009+A1: 2010

Position of Signatory:



Bruno POTTIE

Director of International Buying
ADEO SERVICES

Serial No: Please refer to the back cover page

Last two numbers of the year CE marking applied: 16

2016-11-30



FR

ADEO Services
135 Rue Sadi Carnot
CS 00001
59790 RONCHIN - France

RU

ООО ЛЕРУА МЕРЛЕН ВОСТОК,
141031, Московская область,
Мытищинский район, г. Мытищи,
Осташковское шоссе, д.1, РОССИЯ

UK

ТОВ «Леруа Мерлен Україна»,
вул. Полярна 17а, м. Київ
04201, Україна

N° de série/N.° de serie/N.° de série/N. di serie/Αρ. σειράς/
Nr seryjny/ Серийный номер/Серійний №/Nr. de serie/
Serial No.: 203384 01 111016 01 000000

* Garantie 3 ans / 3 años de garantía / Garantia de 3 anos / Garanzia 3 Anni /
Εγγύηση 3 ετών / Gwarancja 3-letnia / Гарантия 3 года / Гарантія 3 років /
Garantie 3 ani / 3-year guarantee

Made In P. R.C. 2016